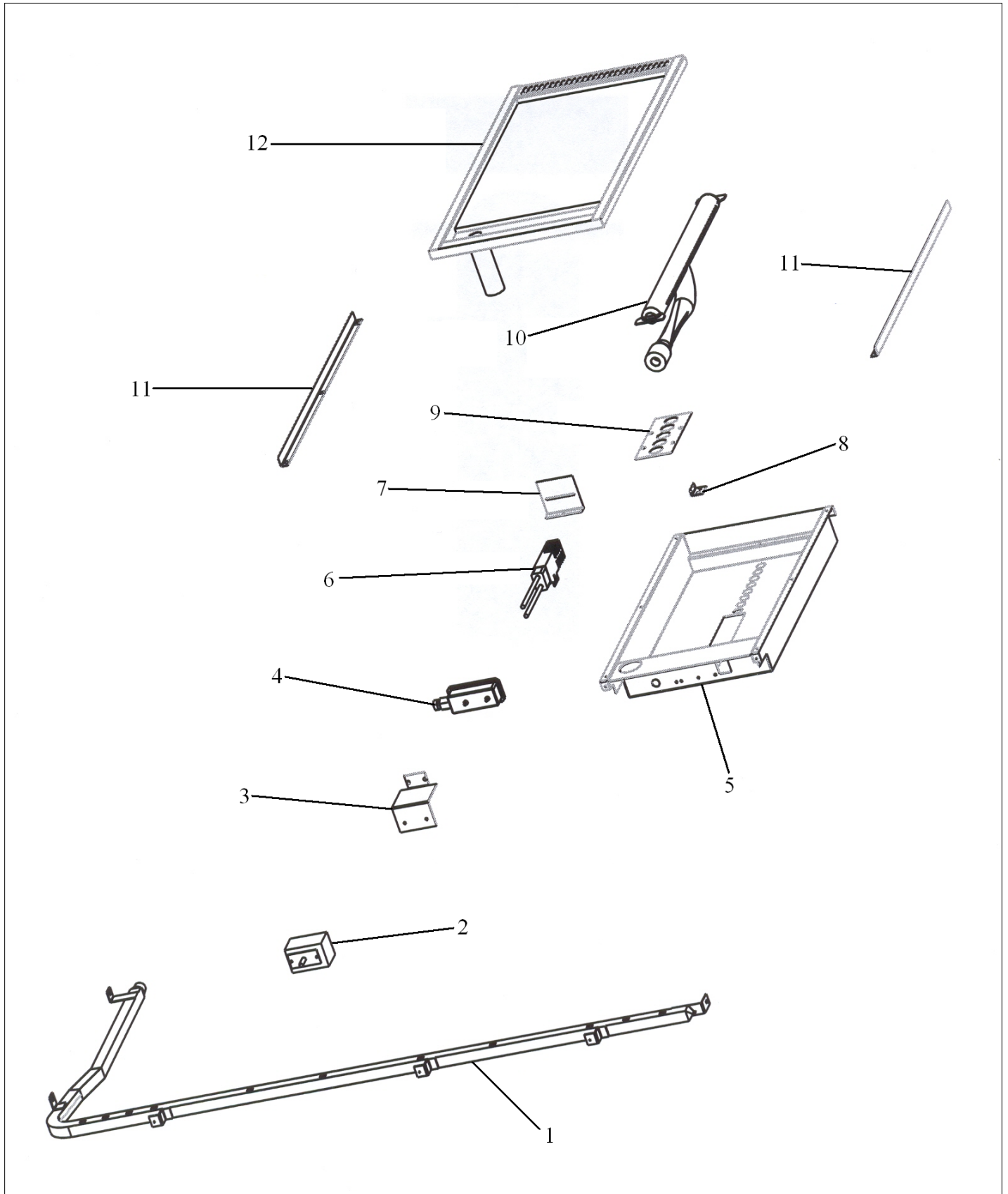


VDSC487

12 INCH GRIDDLE ASSY	1
12 INCH GRILL ASSY	2
24 INCH GRIDDLE ASSY	3
24 INCH GRILL ASSY	4
BURNER BOX	5
EXTERIOR ASSY - VIEW 2	6
LH DOOR	7
LH OVEN CAV. INS. RETAINER	8
LH OVEN CAVITY	9
OVEN CAVITY TOP AND BTM	10
REAR PANEL ASSY	11
RH DOOR	12
RH OVEN CAV INS RETAINER	13
RH OVEN CAVITY ASSEMBLY	14
Appendix A:Pages Index	A
Appendix B:Parts Index	B

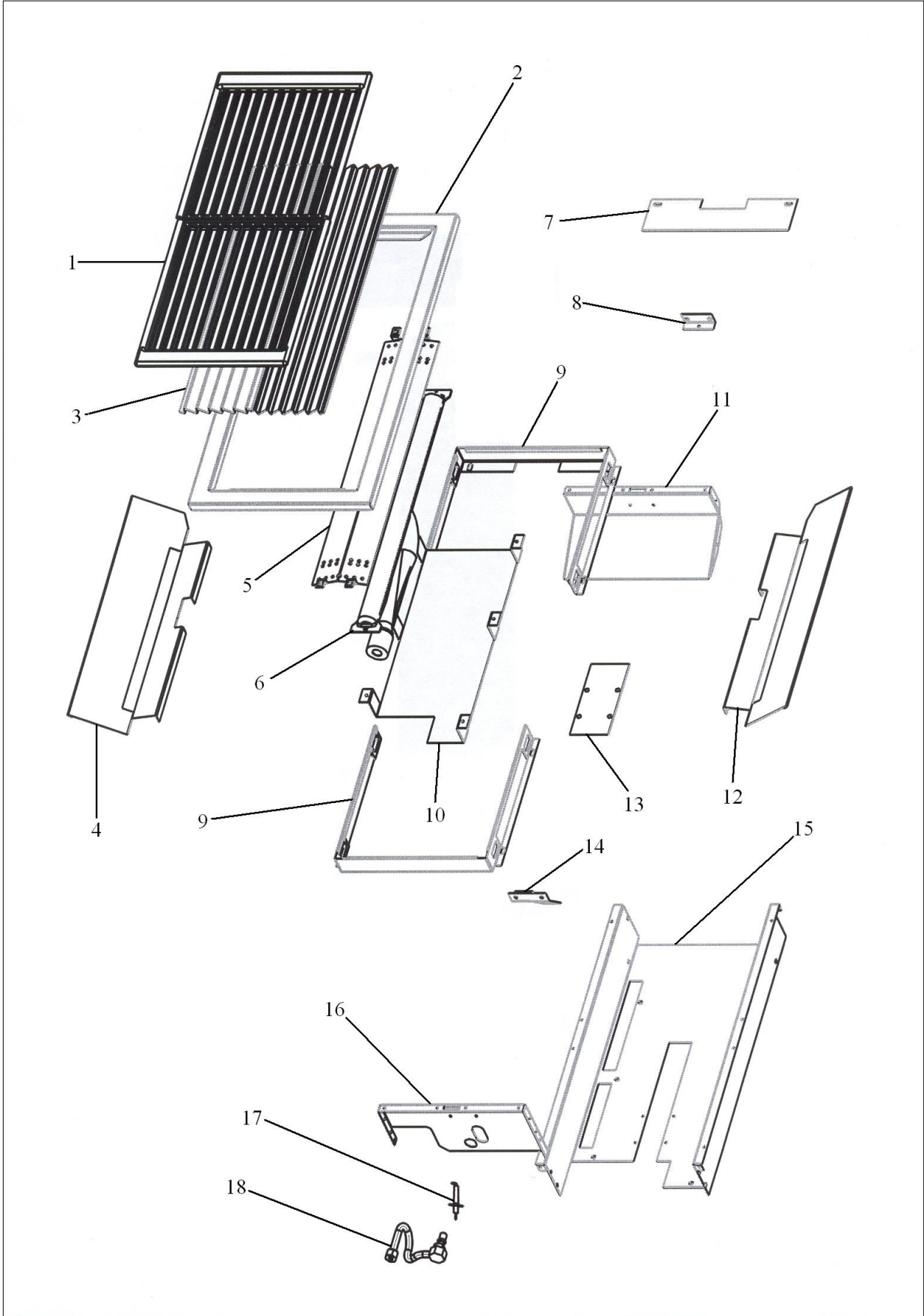
12 INCH GRIDDLE ASSY





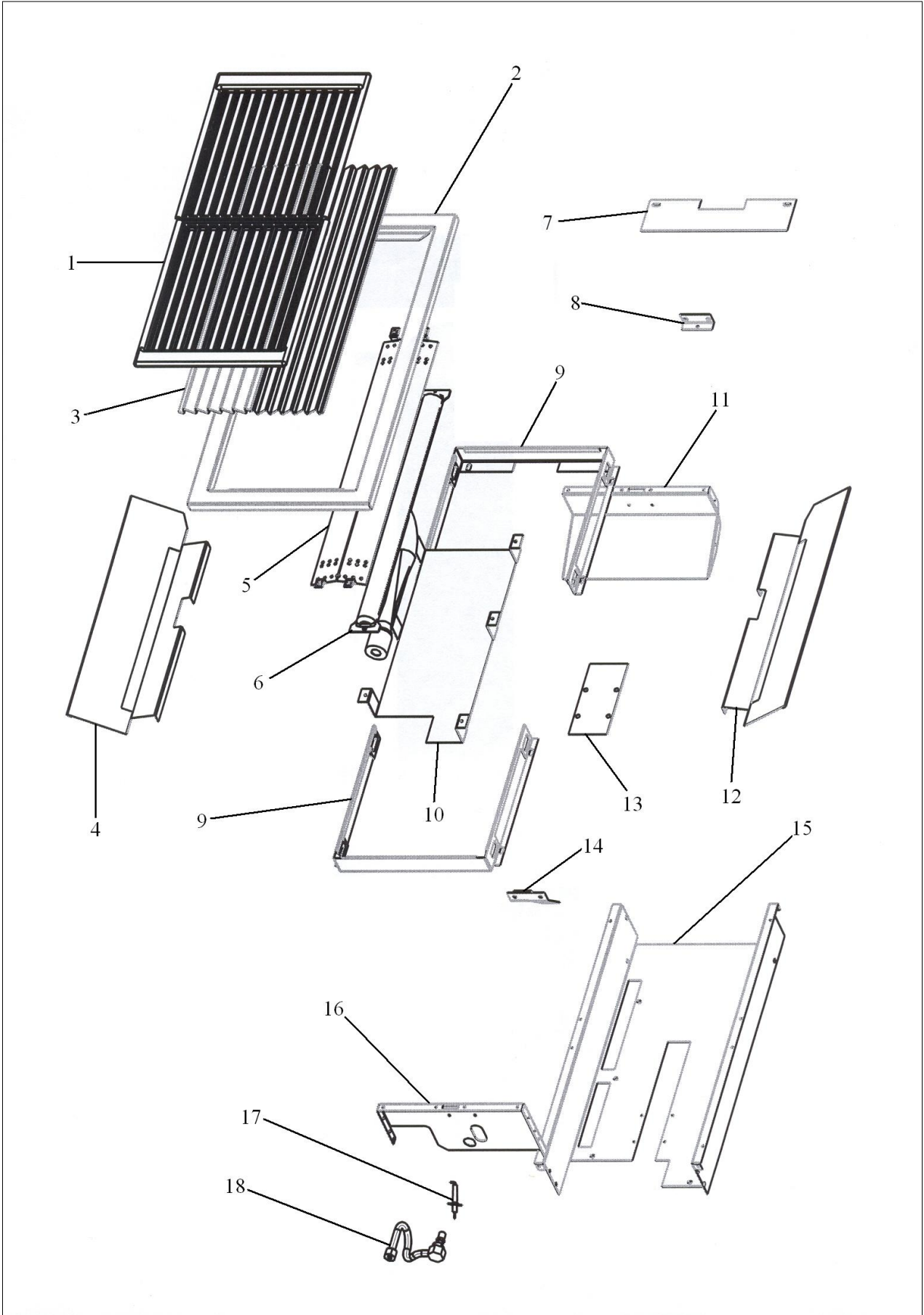
Item	Part No.	Name	Qty	Uom	NOTES
1	002569-000	UNIVERSAL 48" MANIFOLD	1	EA	
2	PB010264	GRIDDLE THERMOSTAT	1	EA	
3	A2007867	Griddle Valve Bracket	1	EA	Not available online / Call for pricing and availability
4	PB010004	SINGLE SAFETY VALVE (NAT. GRIDDLE)	1	EA	
5	A2007862	Sealed Griddle Box	1	EA	
6	PB040001	Igniter	1	EA	
7	A2009580	Griddle Burner Bracket	1	EA	
8	A2001300	Griddle Igniter Bracket	1	EA	
9	A1007861	Griddle Venturi Cover	1	EA	Not available online / Call for pricing and availability
10	PB050074	Griddle Burner	1	EA	
11	A20010657	GRIDDLE BOX FLANGE	1	EA	
12	003208-000	12" SEALED GRIDDLE FRAME ASSY	1	EA	

12 INCH GRILL ASSY





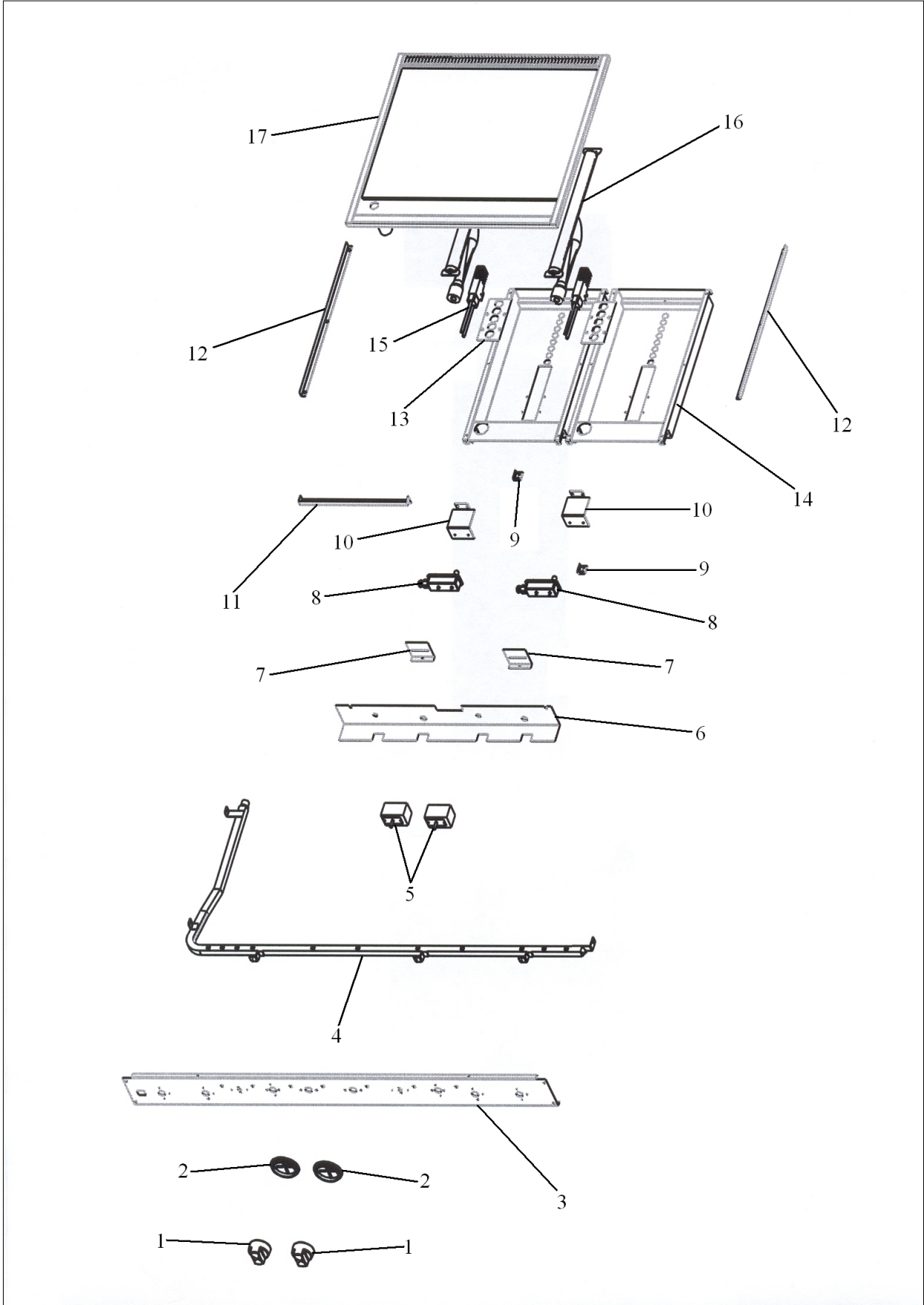
Item	Part No.	Name	Qty	Uom	NOTES
1	PA060058	GRILL GRATE - MATT *BK* RE PA060028	1	EA	
PA060029	PA060058	GRILL GRATE - MATT *BK* RE PA060028	1	EA	
2	G9109811AL	GRILL SUPPORT ASSEMBLY - AL	1	EA	Not available online / Call for pricing and availability
Not Shown	G9109811	GRILL SUPT ASSY *BK*	1	EA	
Not Shown	G9109811BT	GRILL SUPPORT ASSEMBLY - BT	1	EA	Not available online / Call for pricing and availability
Not Shown	G9109811CB	GRILL SUPPORT ASSEMBLY - CB	1	EA	Not available online / Call for pricing and availability
Not Shown	G9109811EP	GRILL SUPPORT ASSEMBLY - EP	1	EA	Not available online / Call for pricing and availability
Not Shown	G9109811FG	GRILL SUPPORT ASSEMBLY - FG	1	EA	Not available online / Call for pricing and availability
Not Shown	G9109811GG	GRILL SUPPORT ASSEMBLY - GG	1	EA	Not available online / Call for pricing and availability
Not Shown	G9109811LE	GRILL SUPPORT ASSEMBLY - LE	1	EA	Not available online / Call for pricing and availability
Not Shown	G9109811MJ	GRILL SUPPORT ASSEMBLY - MJ	1	EA	Not available online / Call for pricing and availability
Not Shown	G9109811SG	GRILL SUPPORT ASSEMBLY - SG	1	EA	Not available online / Call for pricing and availability
Not Shown	G9109811VB	GRILL SUPPORT ASSEMBLY - VB	1	EA	Not available online / Call for pricing and availability
Not Shown	G9109811WH	GRILL SUPT ASSY *WH*	1	EA	NO LONGER AVAILABLE, Not available online / Call for pricing and availability





Item	Part No.	Name	Qty	Uom	NOTES
3	E9101130BK	GRILL SMOKE GENERATOR	1	EA	
4	B2009846	HEAT DEFLECTOR	1	EA	
5	B2009866	SEALED FLAME SHIELD	1	EA	NO LONGER AVAILABLE
6	PB050077	GRILL BURNER	1	EA	
7	A10010162	SHIELD BRACE	1	EA	NO LONGER AVAILABLE
8	A2001132	REAR GRILL BURNER BRKT (VGRT)	1	EA	
9	A2007871	SHIELD GRATE BRACKET	1	EA	NO LONGER AVAILABLE
10	A2001863	GRILL BTM SHIELD (VGRC605)	1	EA	
11	A2001855	GRILL BACK - (VGRC605)	1	EA	
12	B20010163	HEAT DEFLECTOR	1	EA	
13	A1001636	GRIDDLE VENTURI COVER	1	EA	
14	A2001633	GRILL FRONT SPARKER BRKT (VGRC)	1	EA	
15	A2007863	GRILL BOX	1	EA	NO LONGER AVAILABLE, Not available online / Call for pricing and availability
16	A2001631	GRILL BOX FRONT (VGRC)	1	EA	
17	PA020028	SPARK IGNITER	1	EA	
18	PB020025	TUBING-GRILL (REVISED) REP PB020021	1	EA	

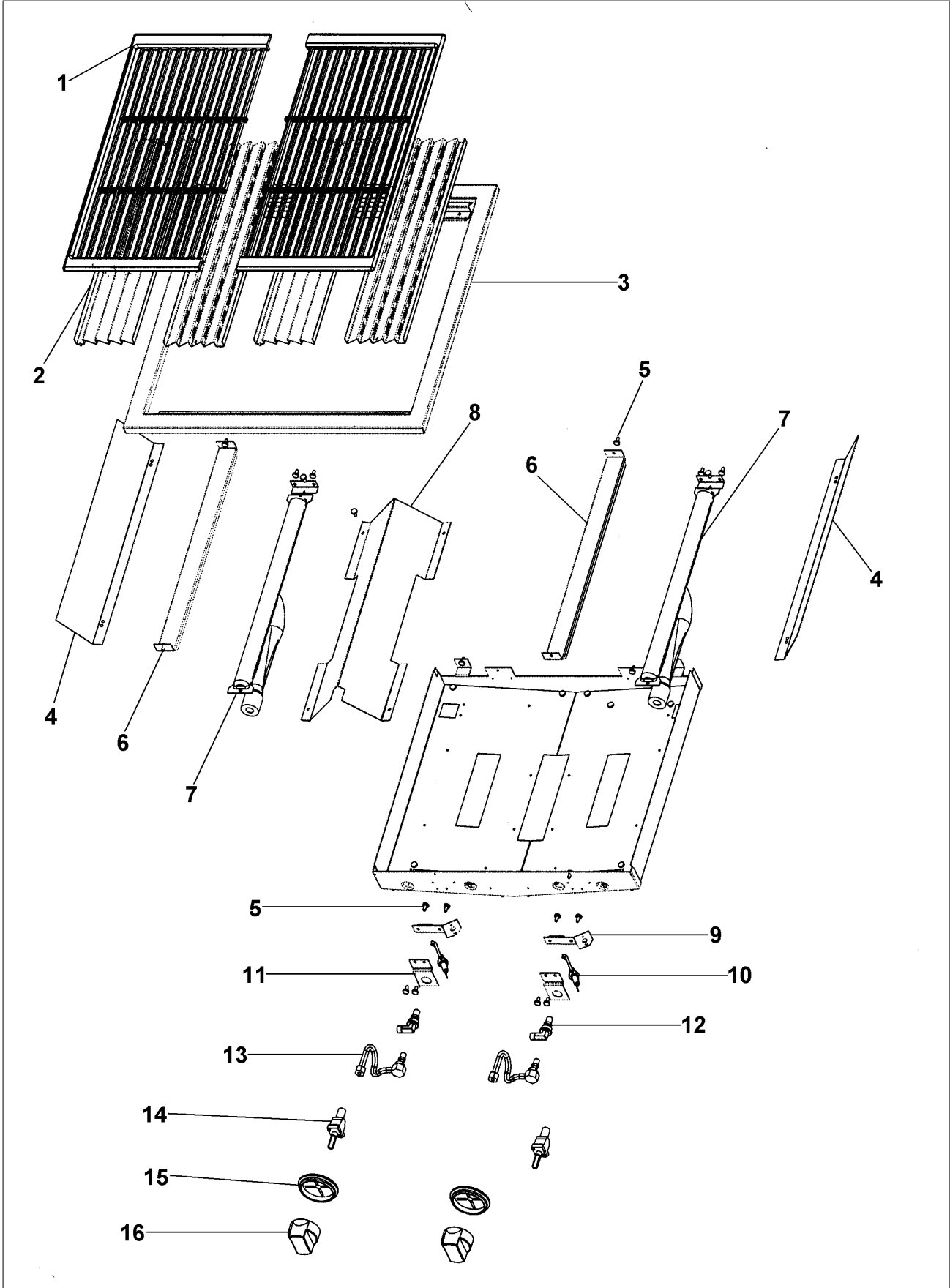
24 INCH GRIDDLE ASSY





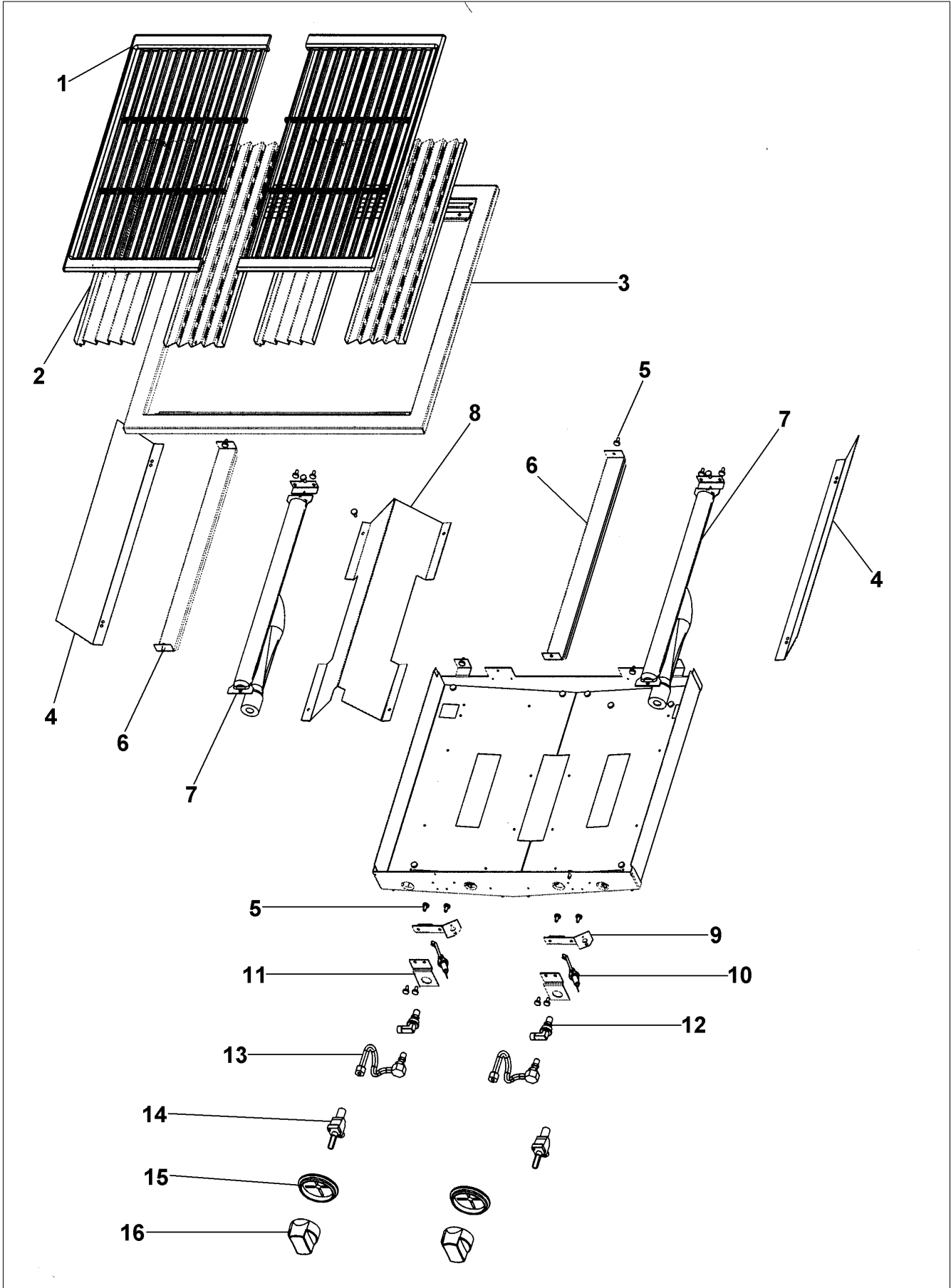
Item	Part No.	Name	Qty	Uom	NOTES
1	PB010103	GRIDDLE KNOB N/S *BK*	1	EA	
Not Shown	PB010104	GRIDDLE KNOB N/S *WH*	1	EA	
2	050172-000	BEZEL, KNOB	1	EA	
Not Shown	PB010209	Bezel - BR	1	EA	
3	B92011236	VDSC487 CONTROL PANEL (4G)	1	EA	
NI	PD020033	SRW #10-24 X 1/2" T (23) PH WFR HD (NKL)	4	EA	
4	002569-000	UNIVERSAL 48" MANIFOLD	1	EA	
5	PB010264	GRIDDLE THERMOSTAT	1	EA	
6	A20010646	COMPONENT SHIELD - 48	1	EA	NO LONGER AVAILABLE, Not available online / Call for pricing and availability
7	A2009580	Griddle Burner Bracket	1	EA	
8	PB010004	SINGLE SAFETY VALVE (NAT. GRIDDLE)	1	EA	
9	A2001300	Griddle Igniter Bracket	1	EA	
10	A2007867	Griddle Valve Bracket	1	EA	Not available online / Call for pricing and availability
11	A2007866	GRIDDLE FLUE COVER (VGIC3674G)	1	EA	
12	A20010657	GRIDDLE BOX FLANGE	1	EA	
13	A1007861	Griddle Venturi Cover	1	EA	Not available online / Call for pricing and availability
14	A2007862	Sealed Griddle Box	1	EA	
15	PB040001	Igniter	1	EA	
16	PB050074	Griddle Burner	1	EA	
17	003227-000	24" SEALED GRIDDLE FRAME WELD ASSY	1	EA	

24 INCH GRILL ASSY





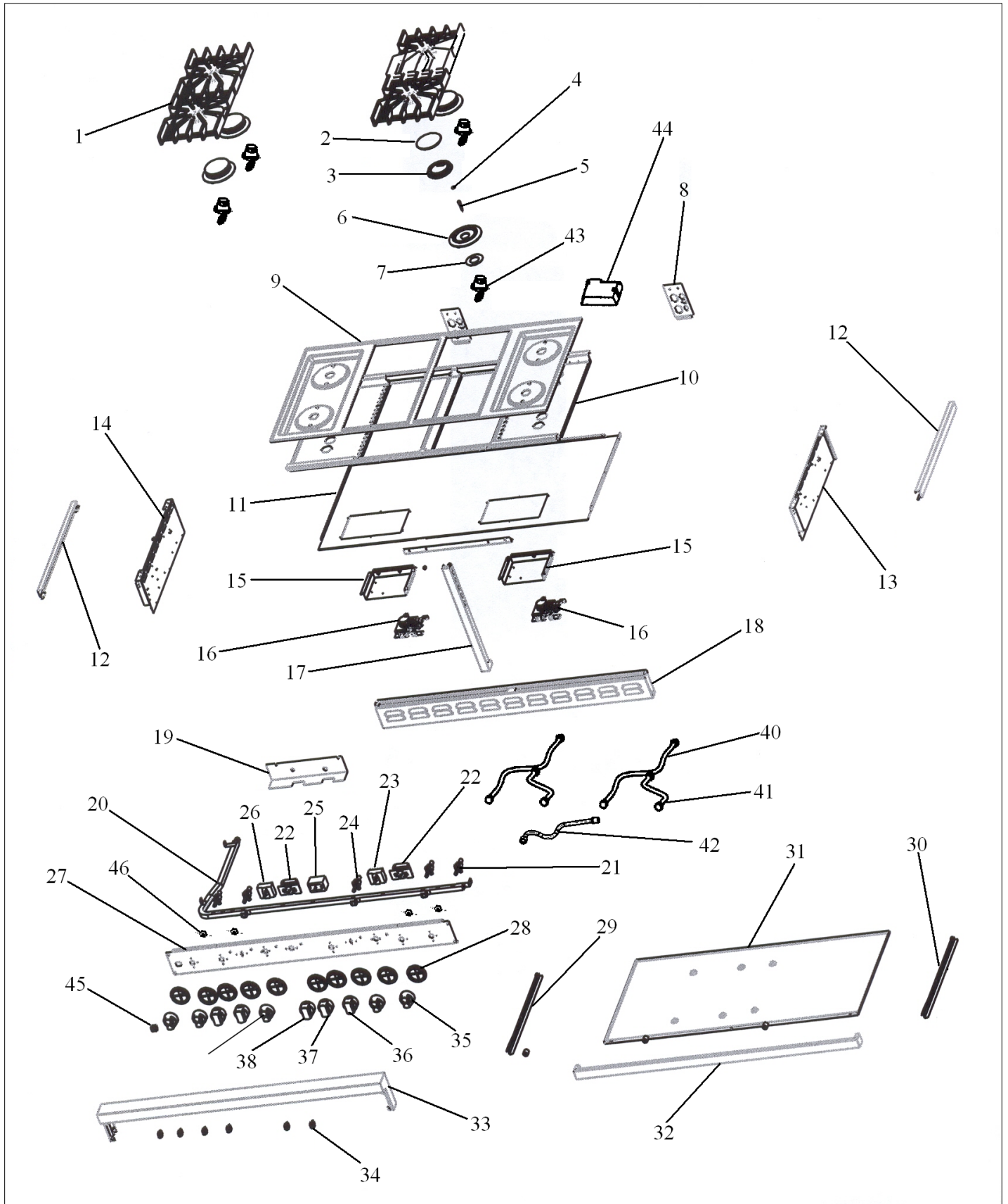
Item	Part No.	Name	Qty	Uom	NOTES
1	PA060080	24" GRILL GRATE *BLACK*	1	EA	
Not Shown	PA060081	GRILL GRATE - GR	1	EA	Not available online / Call for pricing and availability
2	E9101130BK	GRILL SMOKE GENERATOR	1	EA	
3	G91010148BK	SEALED 24" GRILL FRAME ASSY. BK	1	EA	
Not Shown	G91010148AL	GRILL GRATE SUPPORT - AL	1	EA	Not available online / Call for pricing and availability
Not Shown	G91010148BT	GRILL GRATE SUPPORT - BT	1	EA	Not available online / Call for pricing and availability
Not Shown	G91010148CB	GRILL GRATE SUPPORT - CB	1	EA	Not available online / Call for pricing and availability
Not Shown	G91010148EP	GRILL GRATE SUPPORT - EP	1	EA	Not available online / Call for pricing and availability
Not Shown	G91010148FG	GRILL GRATE SUPPORT - FG	1	EA	Not available online / Call for pricing and availability
Not Shown	G91010148GG	GRILL GRATE SUPPORT - GG	1	EA	Not available online / Call for pricing and availability
Not Shown	G91010148LE	GRILL GRATE SUPPORT - LE	1	EA	Not available online / Call for pricing and availability
Not Shown	G91010148MJ	GRILL GRATE SUPPORT - MJ	1	EA	Not available online / Call for pricing and availability
Not Shown	G91010148SG	GRILL GRATE SUPPORT - SG	1	EA	Not available online / Call for pricing and availability
Not Shown	G91010148VB	GRILL GRATE SUPPORT - VB	1	EA	Not available online / Call for pricing and availability





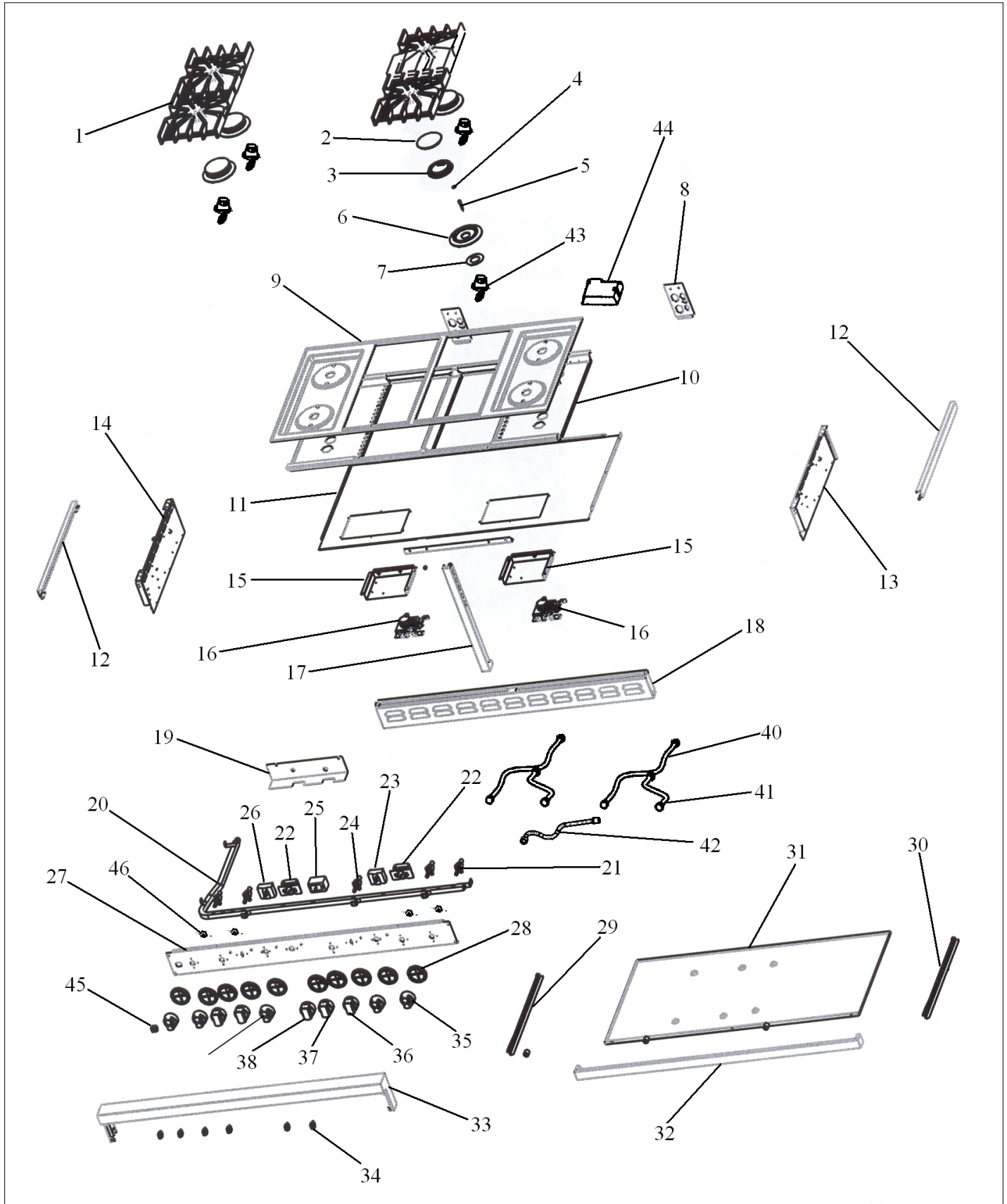
Item	Part No.	Name	Qty	Uom	NOTES
Not Shown	G91010148WH	SEALED 24" GRILL FRAME ASSY. WH	1	EA	NO LONGER AVAILABLE, Not available online / Call for pricing and availability
4	A2009544	SIDE SHIELD, VGIC245Q	1	EA	NO LONGER AVAILABLE, Not available online / Call for pricing and availability
5	PD020002	10 X 1/2 PH.TR.HD.SMS.	1	EA	
6	B2008484	24" GRILL FLAME SHIELD	1	EA	
7	PB050077	GRILL BURNER	1	EA	
8	B2008483	24" GRILL DRIP COVER	1	EA	
9	A2009781	GRILL BURNER BRACKET	1	EA	
10	PB040160	WOK IGNITER	1	EA	
11	A2008481	24" GRILL ORIFICE BRACKET	1	EA	
12	PB040190	90 DEGREE ORIFICE FITTING #50 NAT	1	EA	
13	PB020025	TUBING-GRILL (REVISED) REP PB020021	1	EA	
14	G50012686	CHAR-GRILL VALVE KIT (BEFORE 4/20/05)	1	EA	
Not Shown	NOTE	(BEFORE 4/20/05)		EA	
PA010158	003517-000	PA010158 VALVE AND BOLT KIT	1	EA	
Not Shown	NOTE	(AFTER 4/20/05)		EA	
15	050172-000	BEZEL, KNOB	1	EA	
Not Shown	PB010209	Bezel - BR	1	EA	
16	PA010039	TOP GRILL KNOB*BK* (VGRC) (N/STYLE	1	EA	
Not Shown	PA010040	TOP GRILL KNOB*WH* (VGRC) (N/STYLE	1	EA	

BURNER BOX



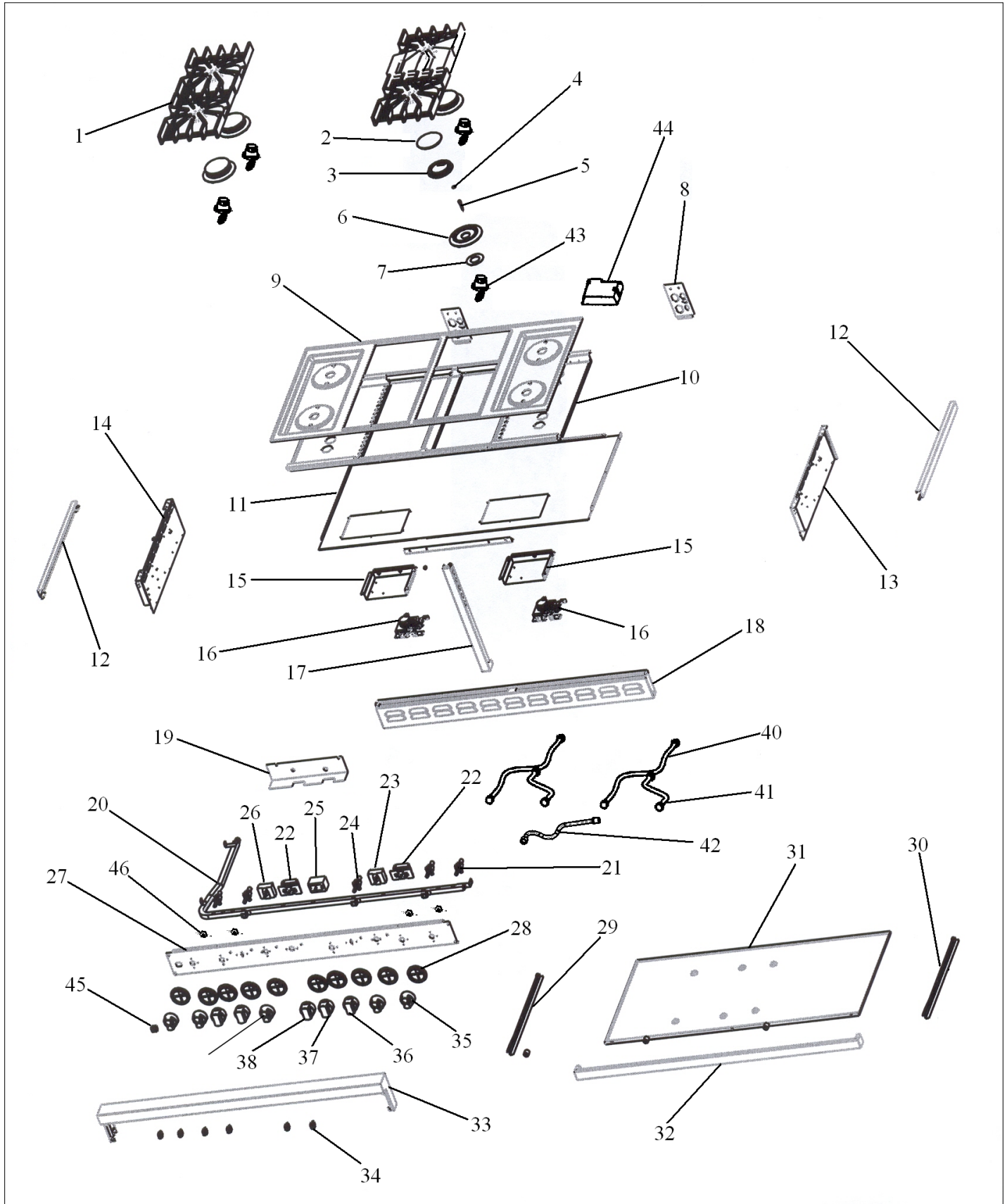


Item	Part No.	Name	Qty	Uom	NOTES
1	PA060054	Burner Grate - BK	1	EA	
Not Shown	PA060062	Burner Grate - GR	1	EA	
2	PA080083	D BURNER CAP *MATTE BLACK*	1	EA	
Not Shown	PA080086	Burner Cap - GR	1	EA	
3	PB050063	Burner Head	1	EA	
4	ORDER IGNITER	N/A	1	EA	
5	PB050081	BURNER BASE ASM	1	EA	
6	PB050081	BURNER BASE ASM	1	EA	
7	PB050081	BURNER BASE ASM	1	EA	
8	A20010637	TERM. BLOCK BRACKET	1	EA	
9	E9109803AL	MAIN TOP - 4GQ - AL	1	EA	Not available online / Call for pricing and availability
Not Shown	E9109803BK	48" SEALED COOKTOP 4BGQ *BK*	1	EA	
Not Shown	E9109803BT	MAIN TOP - 4GQ - BT	1	EA	Not available online / Call for pricing and availability
Not Shown	E9109803CB	MAIN TOP - 4GQ - CB	1	EA	Not available online / Call for pricing and availability
Not Shown	E9109803EP	MAIN TOP - 4GQ - EP	1	EA	Not available online / Call for pricing and availability
Not Shown	E9109803FG	MAIN TOP - 4GQ - FG	1	EA	Not available online / Call for pricing and availability
Not Shown	E9109803GG	MAIN TOP - 4GQ - GG	1	EA	Not available online / Call for pricing and availability
Not Shown	E9109803LE	MAIN TOP - 4GQ - LE	1	EA	Not available online / Call for pricing and availability
Not Shown	E9109803MJ	MAIN TOP - 4GQ - MJ	1	EA	Not available online / Call for pricing and availability



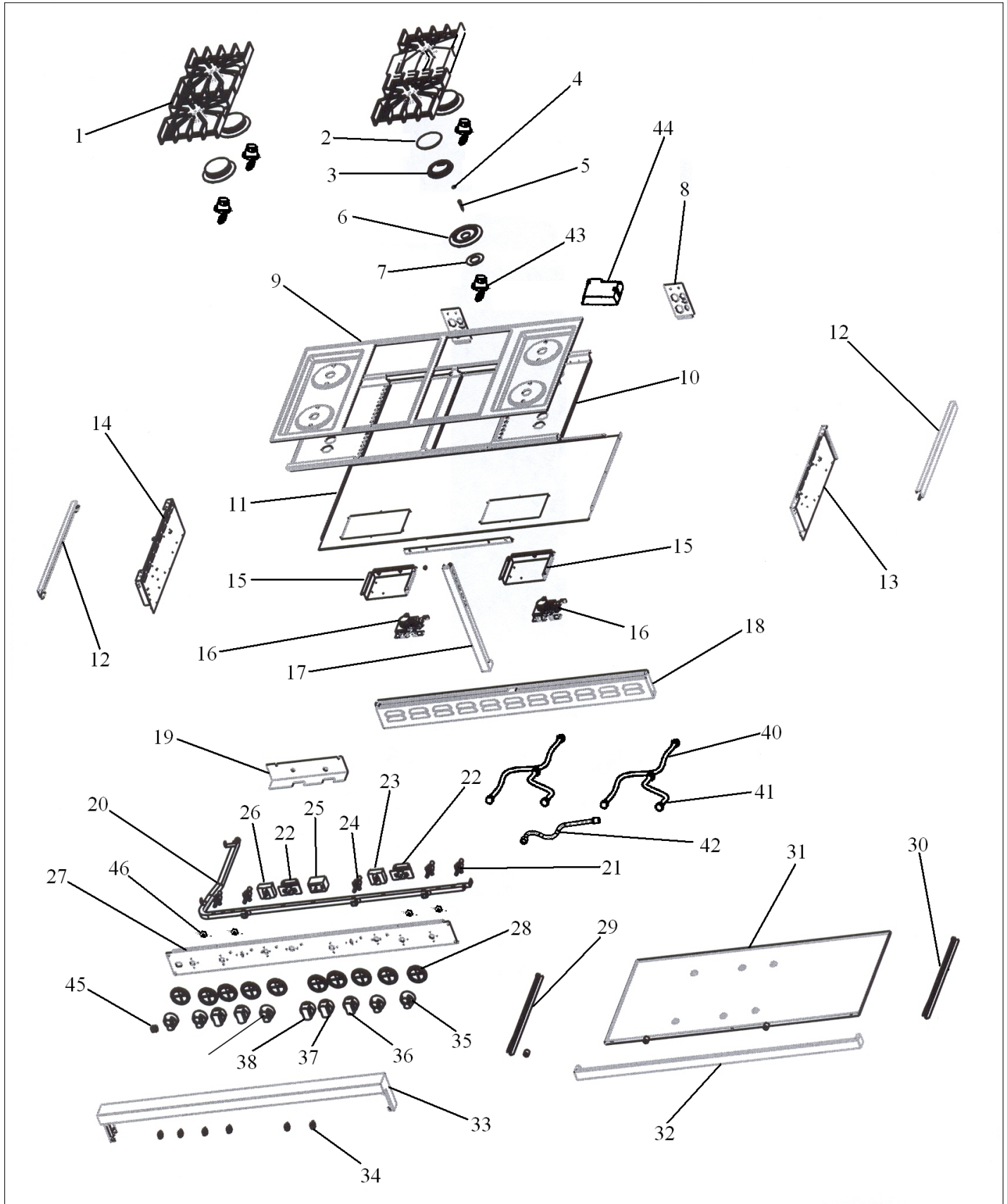


Item	Part No.	Name	Qty	Uom	NOTES
Not Shown	E9109803SG	MAIN TOP - 4GQ - SG	1	EA	Not available online / Call for pricing and availability
Not Shown	E9109803VB	MAIN TOP - 4GQ - VB	1	EA	Not available online / Call for pricing and availability
Not Shown	E9109803WH	48" SEALED COOKTOP 4BGQ *WH*	1	EA	NO LONGER AVAILABLE
Not Shown	E9109801AL	MAIN TOP - AL	1	EA	Not available online / Call for pricing and availability
Not Shown	E9109801BK	48" SEALED COOKTOP 6BG & 6BQ *BK*	1	EA	
Not Shown	E9109801BT	MAIN TOP - BT	1	EA	Not available online / Call for pricing and availability
Not Shown	E9109801CB	MAIN TOP - CB	1	EA	Not available online / Call for pricing and availability
Not Shown	E9109801EP	MAIN TOP - EP	1	EA	Not available online / Call for pricing and availability
Not Shown	E9109801FG	MAIN TOP - FG	1	EA	Not available online / Call for pricing and availability
Not Shown	E9109801GG	MAIN TOP - GG	1	EA	Not available online / Call for pricing and availability
Not Shown	E9109801LE	MAIN TOP - LE	1	EA	Not available online / Call for pricing and availability
Not Shown	E9109801MJ	MAIN TOP - MJ	1	EA	Not available online / Call for pricing and availability
Not Shown	E9109801SG	48" SEALED COOKTOP 6BG & 6BQ *SG*	1	EA	NO LONGER AVAILABLE, Not available online / Call for pricing and availability



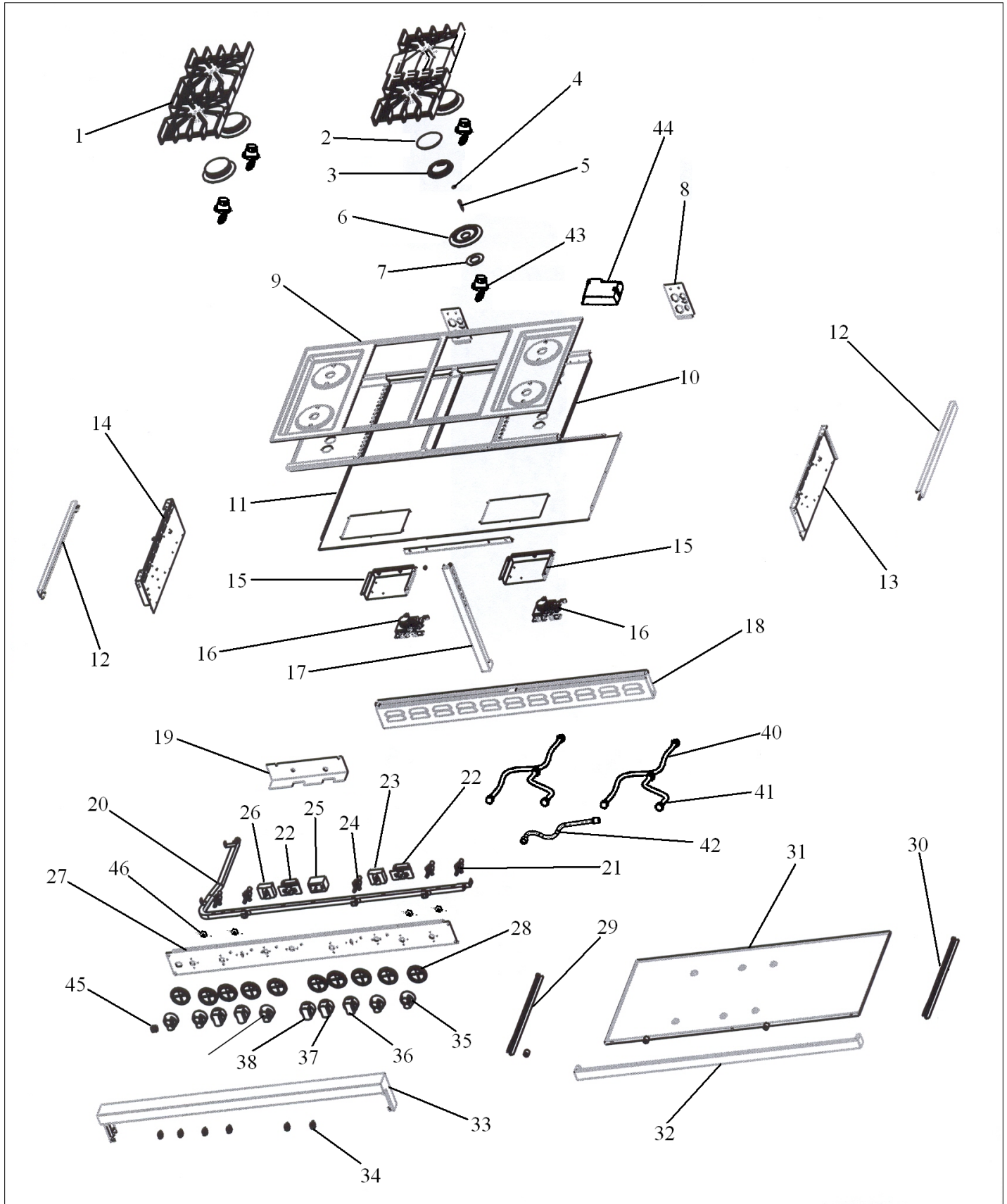


Item	Part No.	Name	Qty	Uom	NOTES
Not Shown	E9109801VB	MAIN TOP - VB	1	EA	Not available online / Call for pricing and availability
Not Shown	E9109801WH	48" SEALED COOKTOP 6BG & 6BQ *WH*	1	EA	NO LONGER AVAILABLE
Not Shown	E9109804AL	MAIN TOP - AL	1	EA	Not available online / Call for pricing and availability
Not Shown	E9109804BK	MAIN TOP (VDSC4G/4Q)	1	EA	
Not Shown	E9109804BT	MAIN TOP - BT	1	EA	Not available online / Call for pricing and availability
Not Shown	E9109804CB	MAIN TOP - CB	1	EA	Not available online / Call for pricing and availability
Not Shown	E9109804EP	MAIN TOP - EP	1	EA	Not available online / Call for pricing and availability
Not Shown	E9109804FG	MAIN TOP - FG	1	EA	Not available online / Call for pricing and availability
Not Shown	E9109804GG	MAIN TOP - GG	1	EA	Not available online / Call for pricing and availability
Not Shown	E9109804LE	MAIN TOP - LE	1	EA	Not available online / Call for pricing and availability
Not Shown	E9109804MJ	MAIN TOP - MJ	1	EA	Not available online / Call for pricing and availability
Not Shown	E9109804SG	MAIN TOP - SG	1	EA	Not available online / Call for pricing and availability
Not Shown	E9109804VB	MAIN TOP - VB	1	EA	Not available online / Call for pricing and availability
Not Shown	E9109804WH	MAIN TOP (VDSC4G/4Q) *WH*	1	EA	NO LONGER AVAILABLE



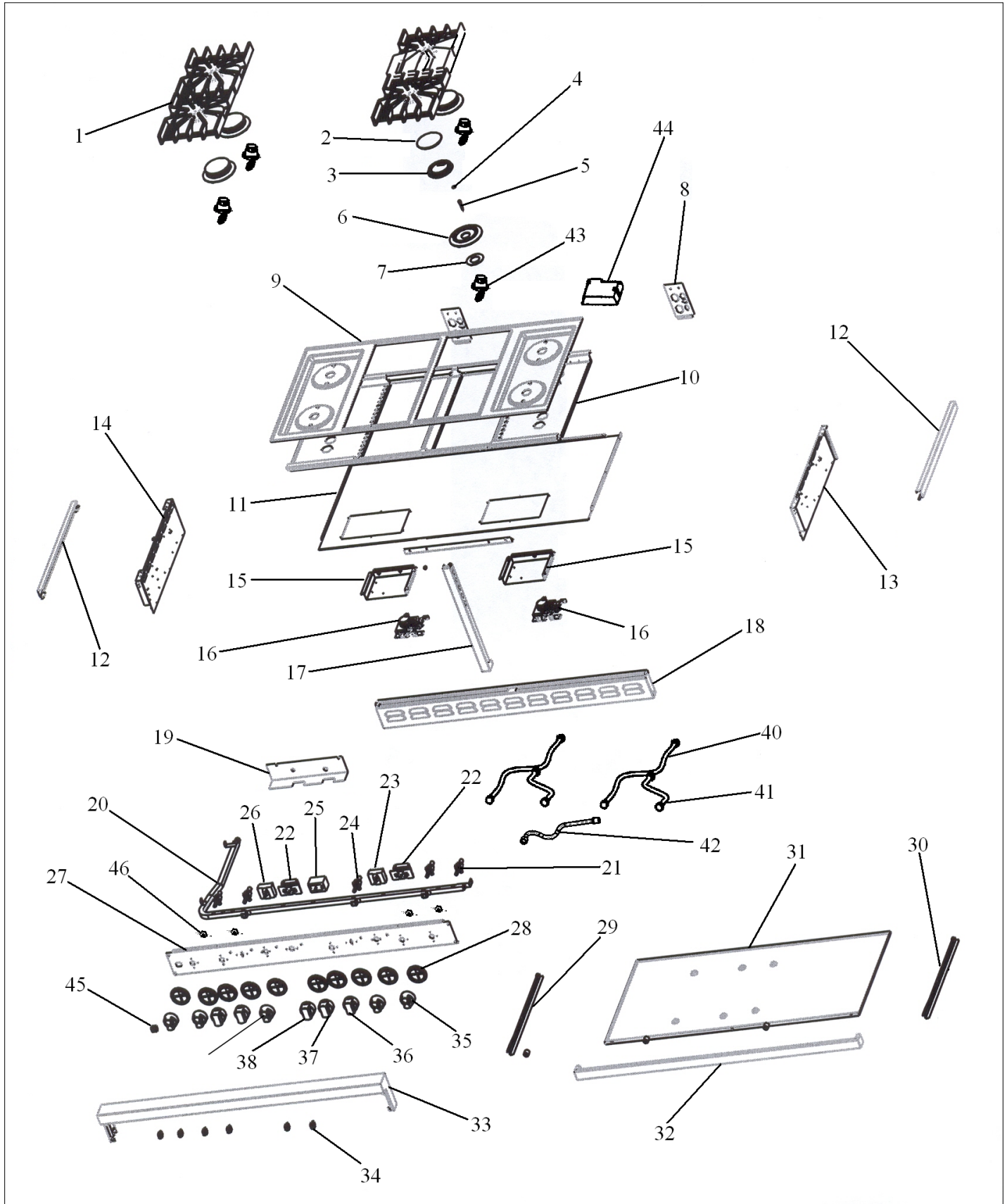


Item	Part No.	Name	Qty	Uom	NOTES
10	A20011240	48" SEALED BURNER SUPT. (4GQ)	1	EA	
Not Shown	A20011234	BURNER BOX SUPPORT	1	EA	Not available online / Call for pricing and availability
Not Shown	A20010184	48" SEALED BURNER SUPPORT	1	EA	
11	A2002539	BURNER BOX INSULATOR SHIELD (VDSC48)	1	EA	NO LONGER AVAILABLE, Not available online / Call for pricing and availability
12	B2007868	IC SEALED SIDE TRIM	1	EA	
Not Shown	C9307868BR	IC SEALED SIDE TRIM *BR*	1	EA	
13	A2002544	BURNER BOX SIDE RH (VDSC48)	1	EA	NO LONGER AVAILABLE
14	A2002545	BURNER BOX SIDE LH (VDSC48)	1	EA	NO LONGER AVAILABLE, Not available online / Call for pricing and availability
15	A2002168	DOOR LATCH BRKT (VDSC)	1	EA	
16	PE050053	DR LATCH REPL PE050020	1	EA	
17	B2002535	CENTER TRIM (VDSC485)	1	EA	
Not Shown	C9002535AL	CENTER TRIM-*AL* (VDSC485)	1	EA	NO LONGER AVAILABLE, Not available online / Call for pricing and availability
Not Shown	C9002535BK	CENTER TRIM-*BK* (VDSC485)	1	EA	
Not Shown	C9002535BT	CENTER TRIM-*BT* (VDSC485)	1	EA	NO LONGER AVAILABLE, Not available online / Call for pricing and availability
Not Shown	C9002535BU	CENTER TRIM-*BU* (VDSC485)	1	EA	NO LONGER AVAILABLE, Not available online / Call for pricing and availability
Not Shown	C9002535CB	CENTER TRIM-*CB* (VDSC485)	1	EA	NO LONGER AVAILABLE, Not available online / Call for pricing and availability



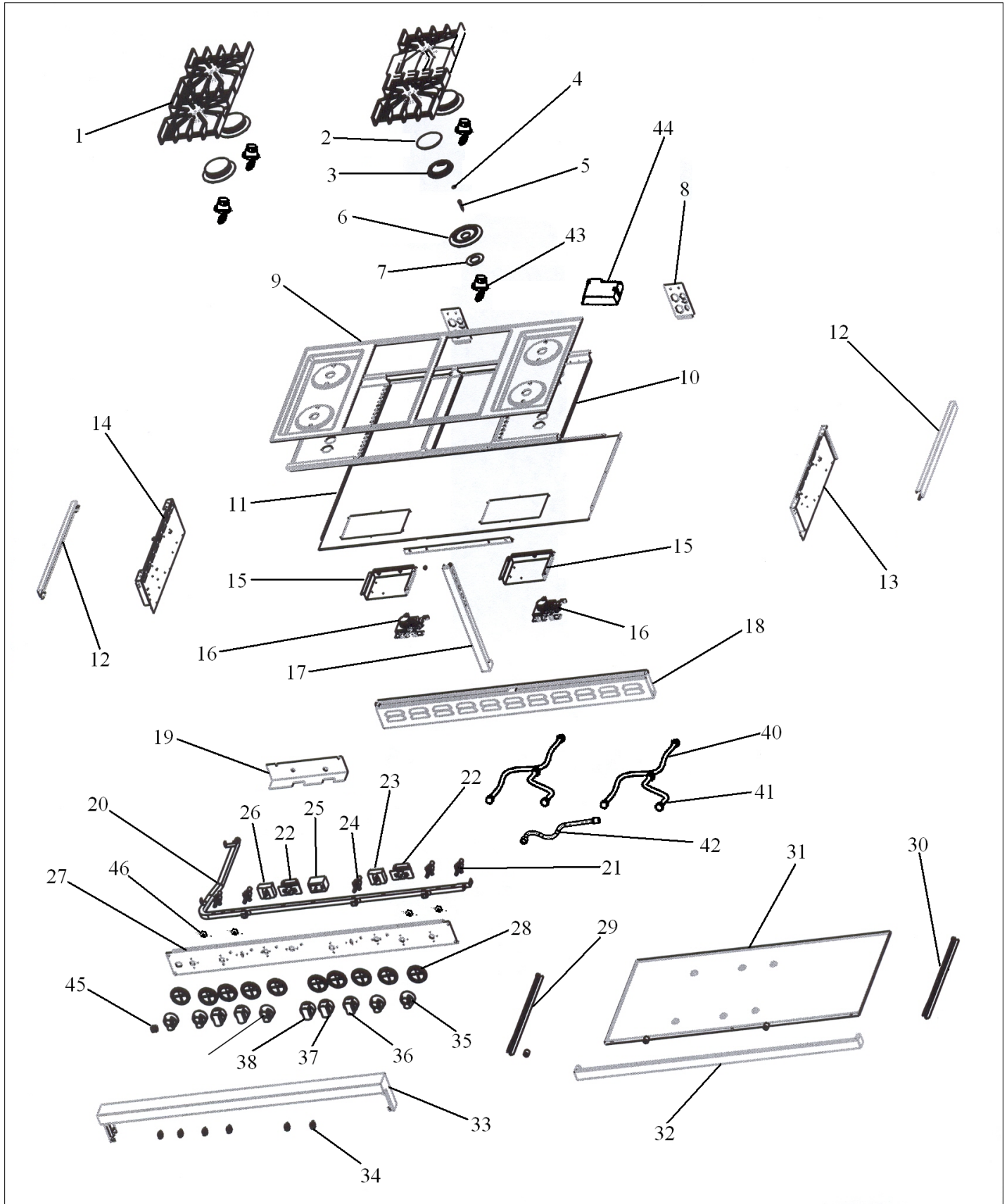


Item	Part No.	Name	Qty	Uom	NOTES
Not Shown	C9002535EP	CENTER TRIM-*EP* (VDSC485)	1	EA	NO LONGER AVAILABLE, Not available online / Call for pricing and availability
Not Shown	C9002535FG	CENTER TRIM-*FG* (VDSC485)	1	EA	Not available online / Call for pricing and availability
Not Shown	C9002535GG	CENTER TRIM-*GG* (VDSC485)	1	EA	NO LONGER AVAILABLE
Not Shown	C9002535LE	CENTER TRIM-*LE* (VDSC485)	1	EA	NO LONGER AVAILABLE, Not available online / Call for pricing and availability
Not Shown	C9002535MJ	CENTER TRIM-*MJ* (VDSC485)	1	EA	NO LONGER AVAILABLE, Not available online / Call for pricing and availability
Not Shown	C9002535SG	CENTER TRIM-*SG* (VDSC485)	1	EA	NO LONGER AVAILABLE
Not Shown	C9002535VB	CENTER TRIM-*VB* (VDSC485)	1	EA	NO LONGER AVAILABLE, Not available online / Call for pricing and availability
Not Shown	C9002535WH	CENTER TRIM-*WH* (VDSC485)	1	EA	NO LONGER AVAILABLE
18	B2001241	LWR ACC. PNL - RPLCS B2001973	1	EA	
Not Shown	C9001241AL	LWR ACC PNL - RPLCS C9001973AL	1	EA	NO LONGER AVAILABLE, Not available online / Call for pricing and availability
Not Shown	C9001241BK	LWR ACC PNL - RPLCS C9001973BK	1	EA	
Not Shown	C9001241BT	LWR ACC PNL - RPLCS C9001973BT	1	EA	NO LONGER AVAILABLE
Not Shown	C9001241BU	LWR ACC PNL - RPLCS C9001973BU	1	EA	
Not Shown	C9001241CB	LWR ACC PNL - RPLCS C9001973CB	1	EA	NO LONGER AVAILABLE
Not Shown	C9001241EP	LWR ACC PNL - RPCLS C9001973EP	1	EA	NO LONGER AVAILABLE, Not available online / Call for pricing and availability

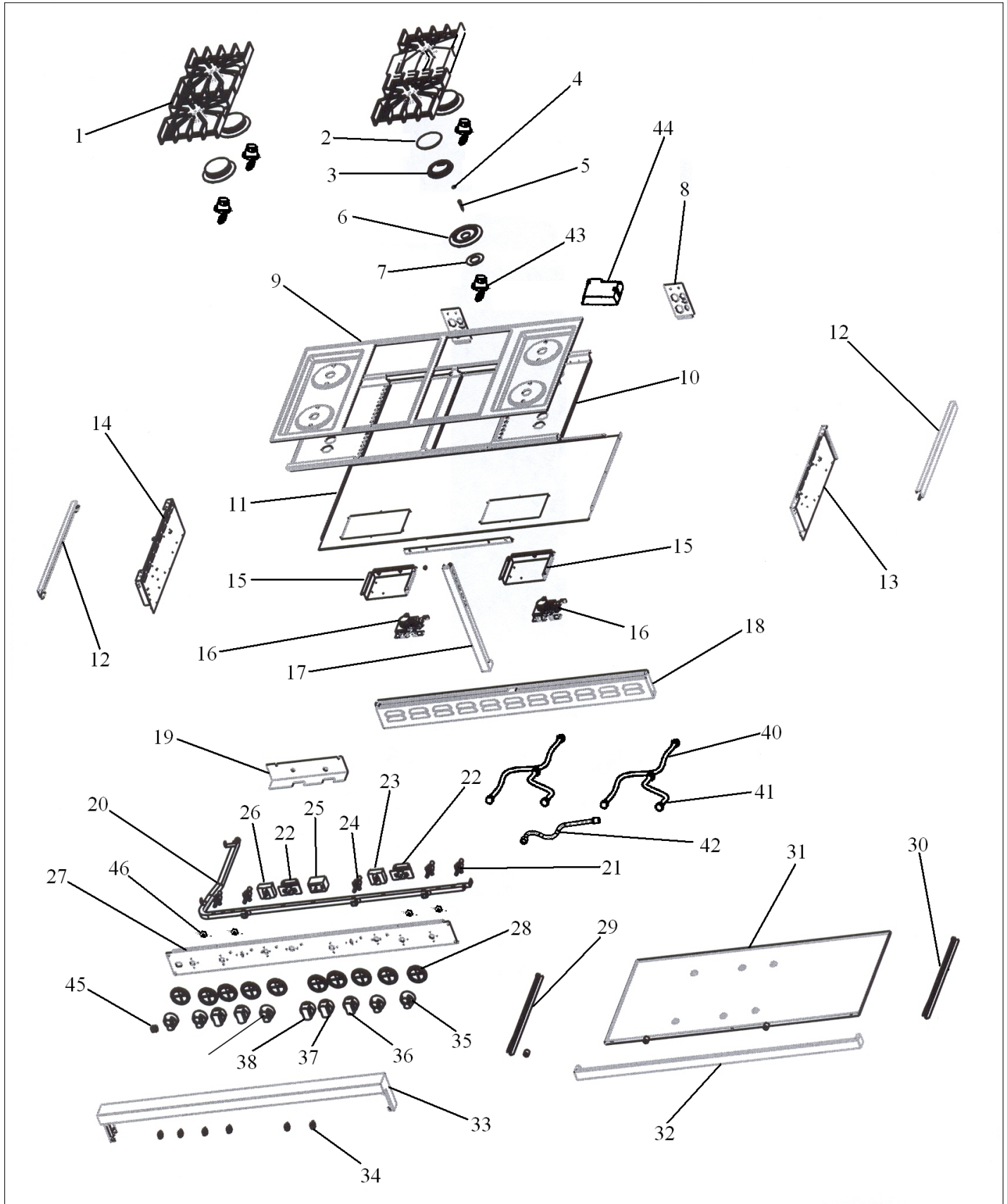




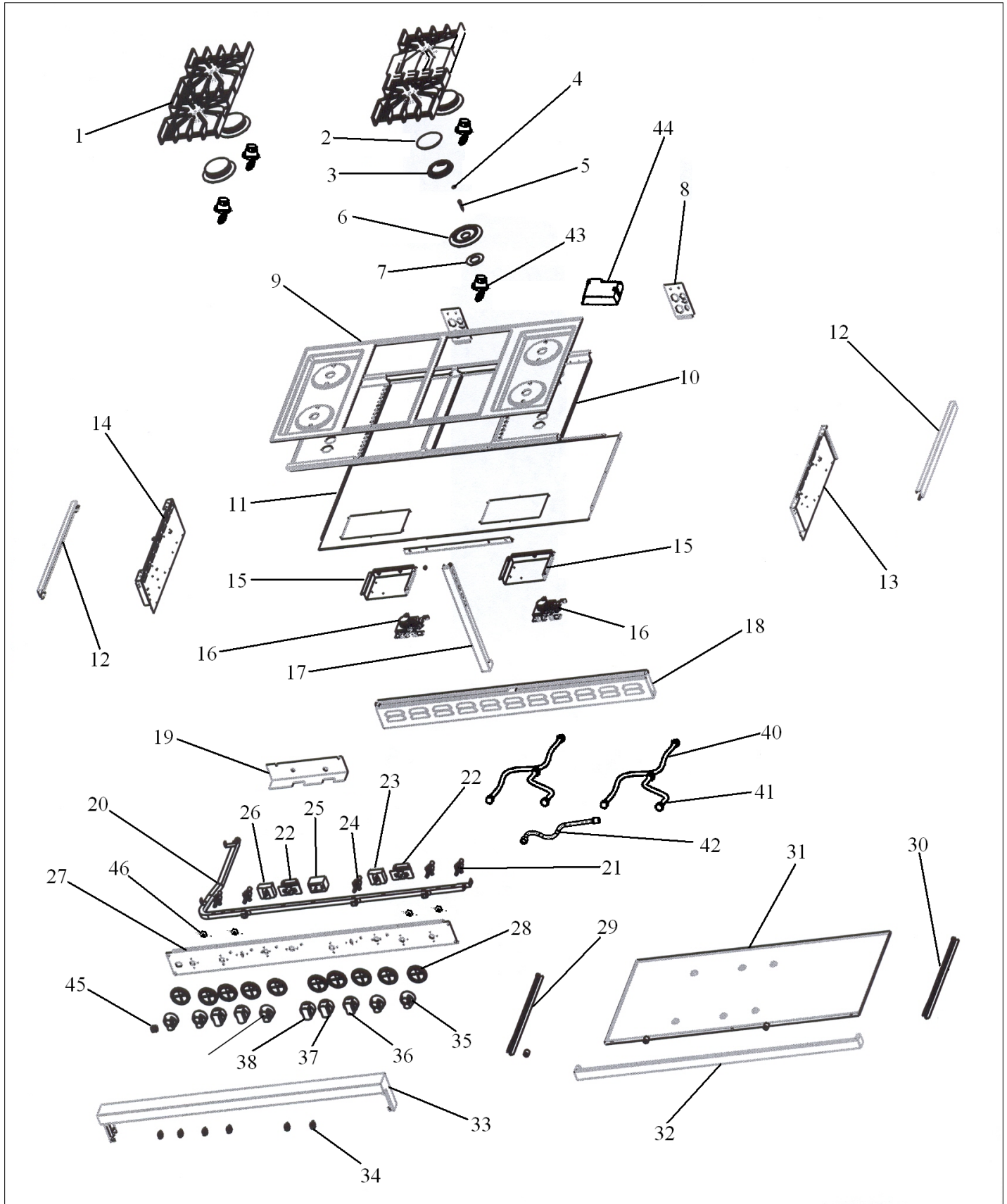
Item	Part No.	Name	Qty	Uom	NOTES
Not Shown	C9001241FG	LWR ACC PNL - RPLCS C9001973FG	1	EA	NO LONGER AVAILABLE, Not available online / Call for pricing and availability
Not Shown	C9001241GG	LWR ACC PNL - RPLCS C9001973GG	1	EA	Not available online / Call for pricing and availability
Not Shown	C9001241LE	LWR ACC PNL - RPLCS C9001973LE	1	EA	NO LONGER AVAILABLE
Not Shown	C9001241MJ	LWR ACC PNL - RPLCS C9001973MJ	1	EA	NO LONGER AVAILABLE
Not Shown	C9001241SG	LWR ACC PNL - RPLCS C9001973SG	1	EA	Not available online / Call for pricing and availability
Not Shown	C9001241VB	LWR ACC PNL - RPLCS C9001973VB	1	EA	NO LONGER AVAILABLE, Not available online / Call for pricing and availability
Not Shown	C9001241WH	LWR ACC PNL - RPLCS C9001973WH	1	EA	
19	A20010636	48" COMPONENT SHIELD (6G & 4GQ)	1	EA	NO LONGER AVAILABLE, Not available online / Call for pricing and availability
20	002569-000	UNIVERSAL 48" MANIFOLD	1	EA	
21	G50012679	Top Burner Valve Kit	1	EA	
Not Shown	NOTE	(BEFORE 02/23/05)		EA	
21	003517-000	PA010158 VALVE AND BOLT KIT	1	EA	
Not Shown	NOTE	(AFTER 02/23/05)		EA	
22	PJ030003	THERMOSTAT (SELF CLEAN) VDSC	1	EA	



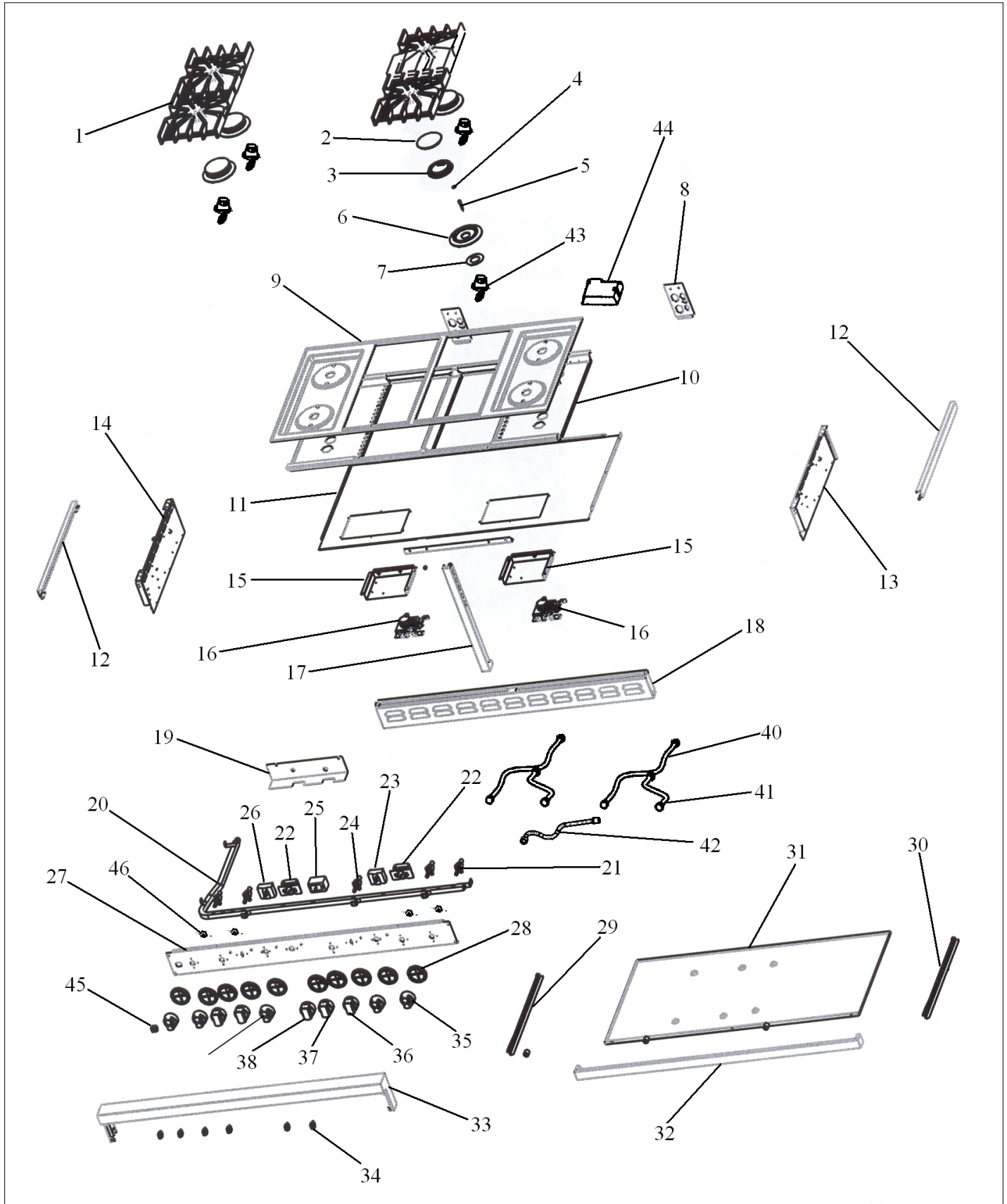
Item	Part No.	Name	Qty	Uom	NOTES
Comments for Part Num. PJ030003 boltz on Nov 21, 2017 See Bulletin 2005-03 Reply by steves@bendbroadband.com on Apr 10, 2018 what bulletin? bulletin should linked here. Reply by bradleysapplianceservice@shaw.ca on Sep 27, 2018 If you have access to Documoto then all you have to do is either run the part number PJ030003 or service bulletin number 2005-03AS in the main search field and all your answer will be there. It's Simple.					
Not Shown	NOTE	(BEFORE 02/02/05		EA	
22	PS500032	PJ030031 THERMOSTAT AND ROLL PIN SERVICE KIT	1	EA	See 2005-03 Bulletin
Not Shown	NOTE	(After 02/02/05)		EA	
23	PJ030001	SELECTOR SWITCH (8-POSITION) VDSC	1	EA	
24	PA010030	GRILL VALVE-(VGRT)	1	EA	
25	PB010264	GRIDDLE THERMOSTAT	1	EA	
26	PJ030009	SELECTOR SWITCH (5-POSITION) VDSC48	1	EA	
27	B92011239	VDSC487 CONTROL PANEL 4GQ	1	EA	
27	B92011237	VDSC487 CONTROL PANEL 6Q	1	EA	
27	B92011238	CONTROL PANEL (VDSC4876G)	1	EA	
27	B92011236	VDSC487 CONTROL PANEL (4G)	1	EA	
28	050172-000	BEZEL, KNOB	1	EA	
28	PB010209	Bezel - BR	1	EA	
29	PK000009	Drip Tray Guide - LH	1	EA	
30	PK000010	RUNNER, DRIP TRAY - RH (VGRT)	1	EA	
31	G3009715	VDSC485 DRIP TRAY ASSY, NLA	1	EA	
32	G30010697	DRIP TRAY HANDLE ASSY 48"	1	EA	
32	G93011461PVD	DRIP TRAY HANDLE ASSY 48" PVD - NLA	1	EA	
33	G3009843	SEALED LANDING LEDGE ASSY 48"	1	EA	



Item	Part No.	Name	Qty	Uom	NOTES
34	PE050024	OVEN IND. LIGHT (LIGHT HOUSING)	1	EA	
Comments for Part Num. PE050024 haarnink@vikingrange.com on Jan 14, 2019 please note that the indicator light is now part 043135-000 but needs the Jumper harness 051443-000. and second option there are units in the field with a 230V indicator light part number 036566-000. please check this for all "E" module ranges/Tops					
NI	PE050023	OVEN IND. LIGHT (LENS & BEZEL)	1	EA	
35	PB010206	TOP BURNER KNOB BK	1	EA	
35	PB010207	TOP BURNER KNOB WH	1	EA	Not available online / Call for pricing and availability
36	PB010129	THERMOSTAT KNOB *BK* (VDSC)	1	EA	
36	PB010130	THERMOSTAT KNOB *WH* (VDSC)	1	EA	
37	PB010230	OVEN SELECT. KNOB*BK* VDSC307	1	EA	
Not Shown	PB010132	SELECTOR KNOB *WH* (VDSC)	1	EA	
38	PA010039	TOP GRILL KNOB*BK* (VGRC) (N/STYLE)	1	EA	
Not Shown	PA010040	TOP GRILL KNOB*WH* (VGRC) (N/STYLE)	1	EA	
39	PB010103	GRIDDLE KNOB N/S *BK*	1	EA	
Not Shown	PB010104	GRIDDLE KNOB N/S *WH*	1	EA	
40	PB020193	16" FLEX TUBING W/CONNECTORS	1	EA	
41	PB020192	10" FLEX TUBING W/CONNECTORS	1	EA	
42	PB020116	TUBING - 10" FLEXIBLE 12 & 24"	1	EA	
NI	PB020127	3/8" S.S. FLEX TUBING 20" (DGCU)	1	EA	
43	PA080075	Burner Body	1	EA	
44A	PE070458	6 POINTS SPARK MODULE HARNESS ASSY	1	EA	



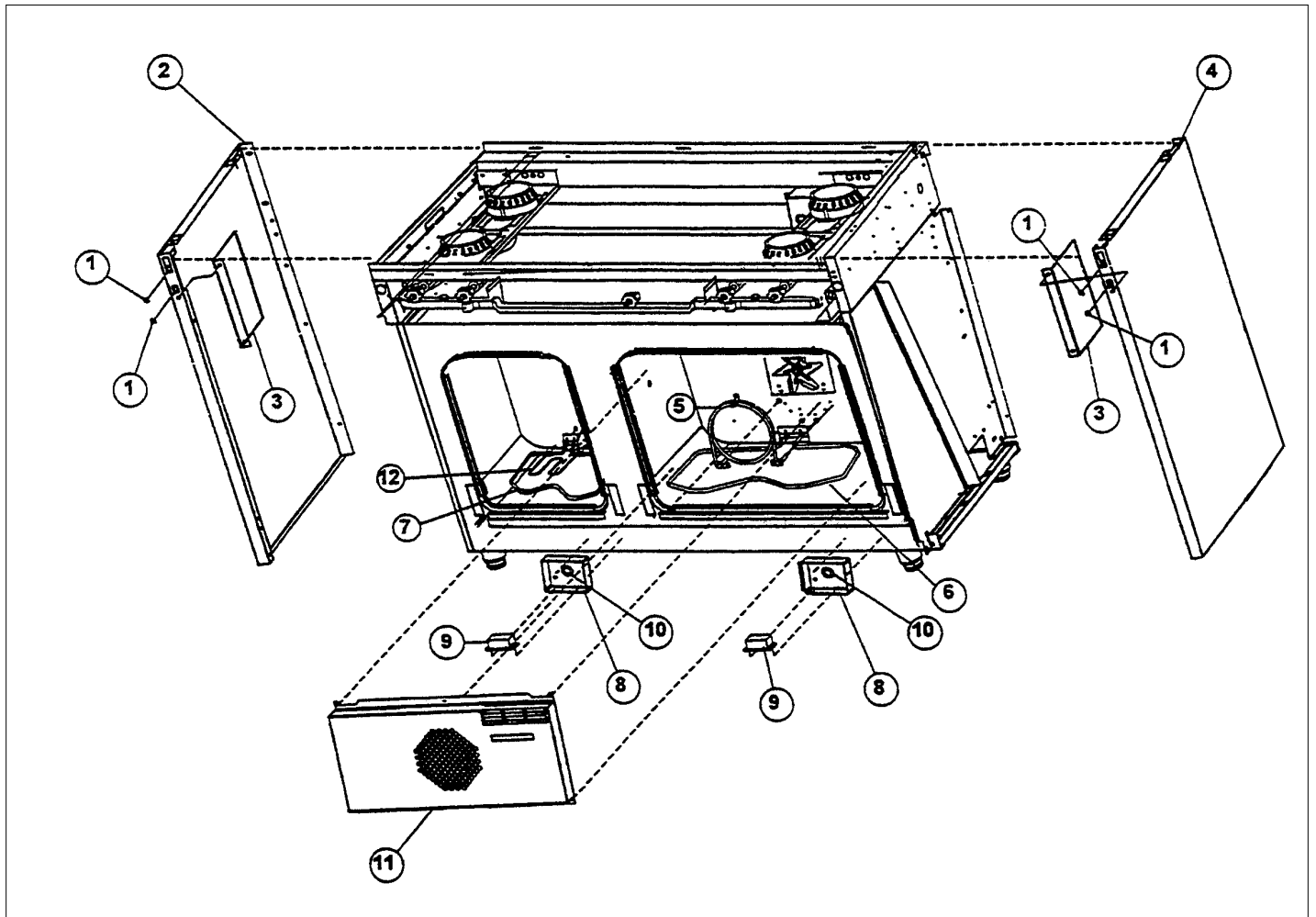
Item	Part No.	Name	Qty	Uom	NOTES
Not Shown	NOTE	(USED ON 6G)		EA	
Not Shown	PA020048	Spark Module (6B /6G/ 4Q)	1	EA	
Not Shown	NOTE	(USED ON 6G)		EA	
44B	PE070458	6 POINTS SPARK MODULE HARNESS ASSY	1	EA	
Not Shown	NOTE	(USED ON 6Q)		EA	
Not Shown	PA020048	Spark Module (6B /6G/ 4Q)	1	EA	
Not Shown	NOTE	(USED ON 6Q)		EA	
Not Shown	PA020037	SINGLE MODULE 120V	1	EA	
Not Shown	NOTE	(USED ON 6Q)		EA	
44C	PA020047	INVENSYS 0+4 RE-IGNITION SPARK MODULE	1	EA	
Not Shown	NOTE	(USED ON 4G)		EA	
Not Shown	PE070566	4 POINTS SPARK MODULE ASSY	1	EA	NO LONGER AVAILABLE
Not Shown	NOTE	(USED ON 4G)		EA	
44D	PA020048	Spark Module (6B /6G/ 4Q)	1	EA	
Not Shown	NOTE	(USED ON 4GQ)		EA	
Not Shown	PE070458	6 POINTS SPARK MODULE HARNESS ASSY	1	EA	
Not Shown	NOTE	(USED ON 4GQ)		EA	
45	PE050016	OVEN LIGHT SWITCH - *BK* (WES-GAR)	1	EA	
Not Shown	PE050017	OVEN LIGHT SWITCH - *WH* (WES-GAR)	1	EA	
46	PA020015	Spark Ignition Switch	1	EA	
NI	PA070003	PRESSURE REGULATOR (NAT.)	1	EA	
NI	013386-000	LP PRESSURE REGULATOR	1	EA	
NI	G50013878	VDSC487-4G BURNER SUPPORT SERVICE KIT	1	EA	





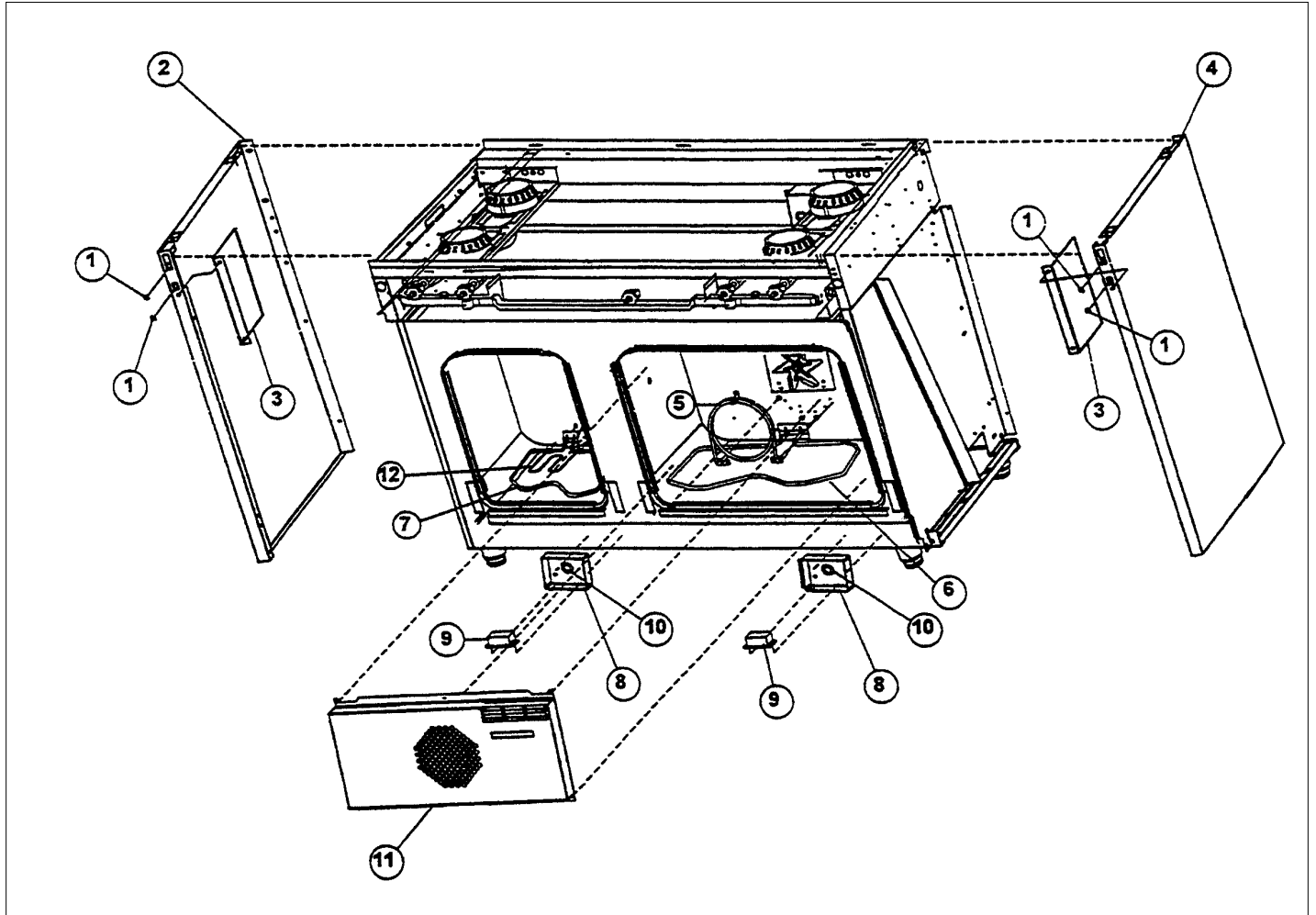
Item	Part No.	Name	Qty	Uom	NOTES
NI	G50013885	VDSC487-4Q BURNER SUPPORT SERVICE KIT	1	EA	NO LONGER AVAILABLE
NI	G50013886	VDSC487-4GQ BURNER SUPPORT SERVICE KIT	1	EA	
NI	G50013887	VDSC487-6G BURNER SUPPORT SERVICE KIT	1	EA	NO LONGER AVAILABLE
NI	G50013888	VDSC487-6Q BURNER SUPPORT SERVICE KIT	1	EA	NO LONGER AVAILABLE
NI	019503-000	48" CURB BASE KIT	1	EA	

EXTERIOR ASSY - VIEW 2

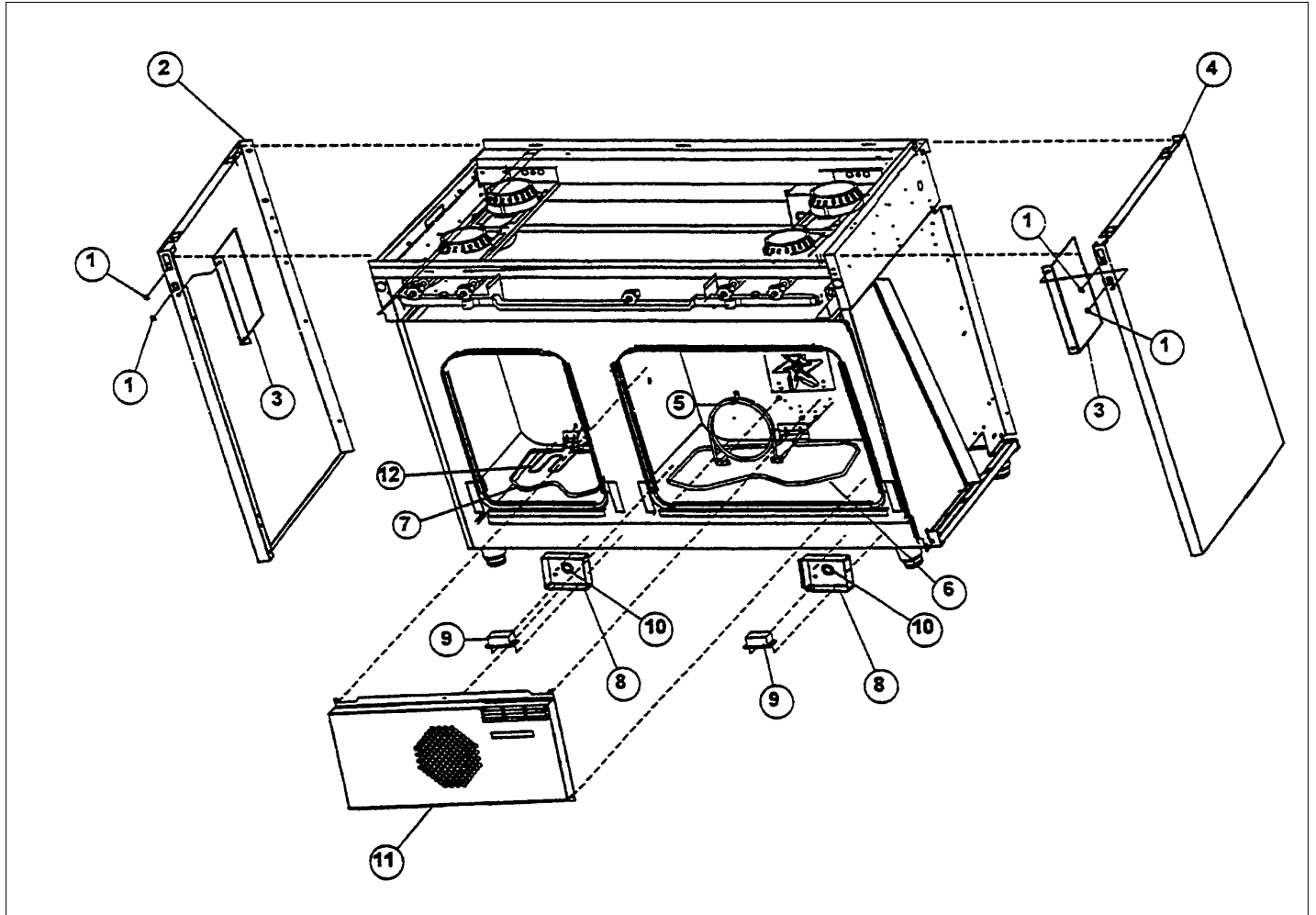




Item	Part No.	Name	Qty	Uom	NOTES
1	PD030005	SELF RETAINING NUT	1	EA	
2	B2007870	IC SEALED LH SIDE PANEL	1	EA	
Not Shown	C9007870AL	IC SEALED LH SIDE PANEL *AL*	1	EA	NO LONGER AVAILABLE, Not available online / Call for pricing and availability
Not Shown	C9007870BK	IC SEALED LH SIDE PANEL *BK*	1	EA	NO LONGER AVAILABLE
Not Shown	C9007870BT	IC SEALED LH SIDE PANEL *BT*	1	EA	NO LONGER AVAILABLE, Not available online / Call for pricing and availability
Not Shown	C9007870BU	IC SEALED LH SIDE PANEL *BU*	1	EA	NO LONGER AVAILABLE
Not Shown	C9007870CB	IC SEALED LH SIDE PANEL *CB*	1	EA	NO LONGER AVAILABLE
Not Shown	C9007870EP	IC SEALED LH SIDE PANEL *EP*	1	EA	NO LONGER AVAILABLE, Not available online / Call for pricing and availability
Not Shown	C9007870FG	IC SEALED LH SIDE PANEL *FG*	1	EA	NO LONGER AVAILABLE, Not available online / Call for pricing and availability
Not Shown	C9007870GG	IC SEALED LH SIDE PANEL *GG*	1	EA	NO LONGER AVAILABLE, Not available online / Call for pricing and availability
Not Shown	C9007870LE	IC SEALED LH SIDE PANEL *LE*	1	EA	NO LONGER AVAILABLE, Not available online / Call for pricing and availability
Not Shown	C9007870MJ	IC SEALED LH SIDE PANEL *MJ*	1	EA	NO LONGER AVAILABLE, Not available online / Call for pricing and availability
Not Shown	C9007870SG	IC SEALED LH SIDE PANEL *SG*	1	EA	NO LONGER AVAILABLE
Not Shown	C9007870VB	IC SEALED LH SIDE PANEL *VB*	1	EA	NO LONGER AVAILABLE, Not available online / Call for pricing and availability



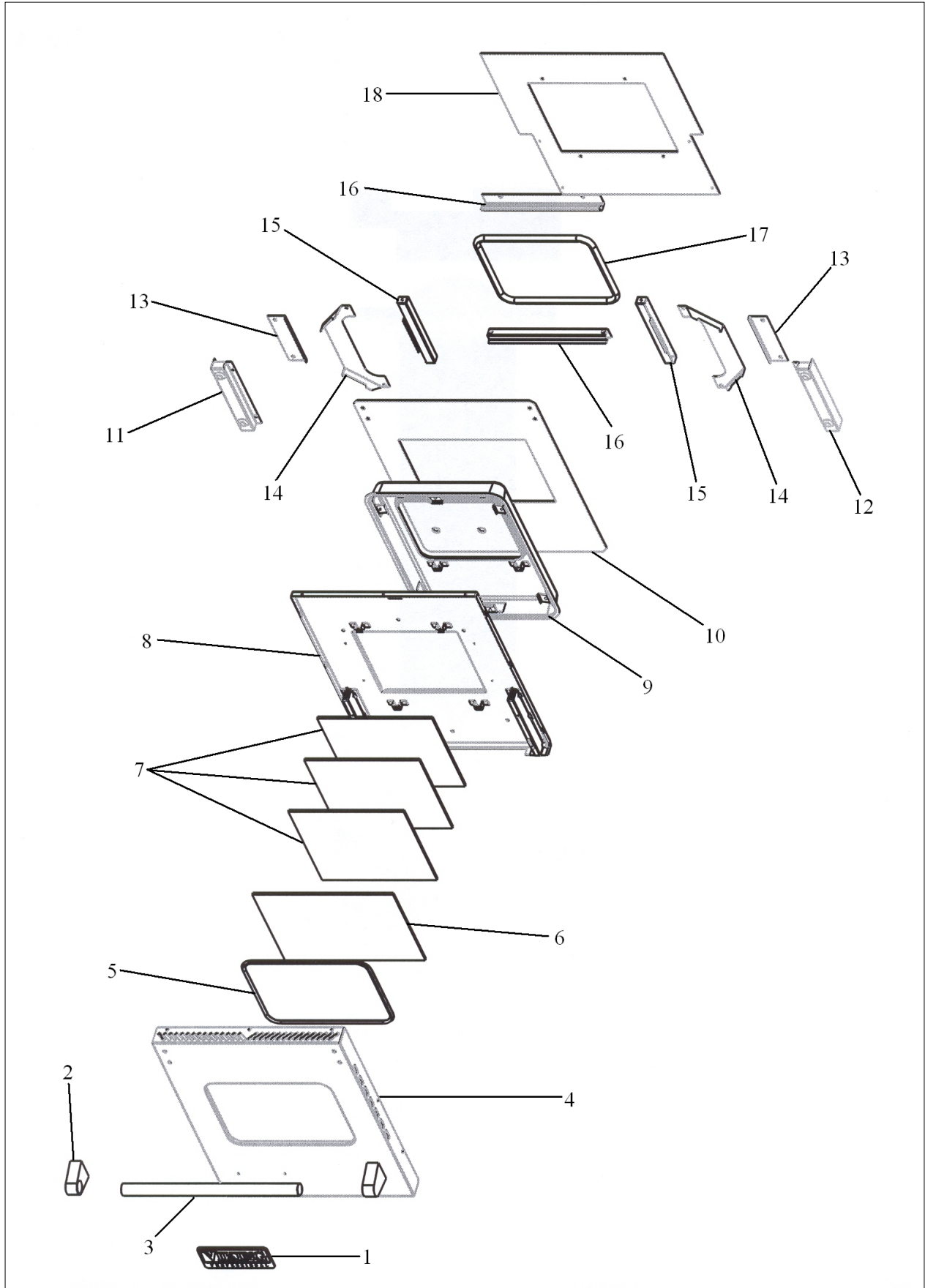
Item	Part No.	Name	Qty	Uom	NOTES
Not Shown	C9007870WH	IC SEALED LH SIDE PANEL *WH*	1	EA	NO LONGER AVAILABLE
3	J2002593	Oven Side Heat Sink	1	EA	Not available online / Call for pricing and availability
4	B2007869	IC SEALED RH SIDE PANEL	1	EA	
Not Shown	C9007869AL	IC SEALED RH SIDE PANEL *AL*	1	EA	NO LONGER AVAILABLE, Not available online / Call for pricing and availability
Not Shown	C9007869BK	IC SEALED RH SIDE PANEL *BK*	1	EA	NO LONGER AVAILABLE
Not Shown	C9007869BT	IC SEALED RH SIDE PANEL *BT*	1	EA	NO LONGER AVAILABLE
Not Shown	C9007869BU	SEALED RH SIDE PANEL *BU*	1	EA	NO LONGER AVAILABLE
Not Shown	C9007869CB	IC SEALED RH SIDE PANEL *CB*	1	EA	NO LONGER AVAILABLE
Not Shown	C9007869EP	IC SEALED RH SIDE PANEL *EP*	1	EA	NO LONGER AVAILABLE
Not Shown	C9007869FG	IC SEALED RH SIDE PANEL *FG*	1	EA	NO LONGER AVAILABLE, Not available online / Call for pricing and availability
Not Shown	C9007869GG	IC SEALED RH SIDE PANEL *GG*	1	EA	NO LONGER AVAILABLE, Not available online / Call for pricing and availability
Not Shown	C9007869LE	IC SEALED RH SIDE PANEL *LE*	1	EA	NO LONGER AVAILABLE, Not available online / Call for pricing and availability
Not Shown	C9007869MJ	IC SEALED RH SIDE PANEL *MJ*	1	EA	NO LONGER AVAILABLE, Not available online / Call for pricing and availability
Not Shown	C9007869SG	IC SEALED RH SIDE PANEL *SG*	1	EA	NO LONGER AVAILABLE
Not Shown	C9007869VB	IC SEALED RH SIDE PANEL *VB*	1	EA	NO LONGER AVAILABLE, Not available online / Call for pricing and availability



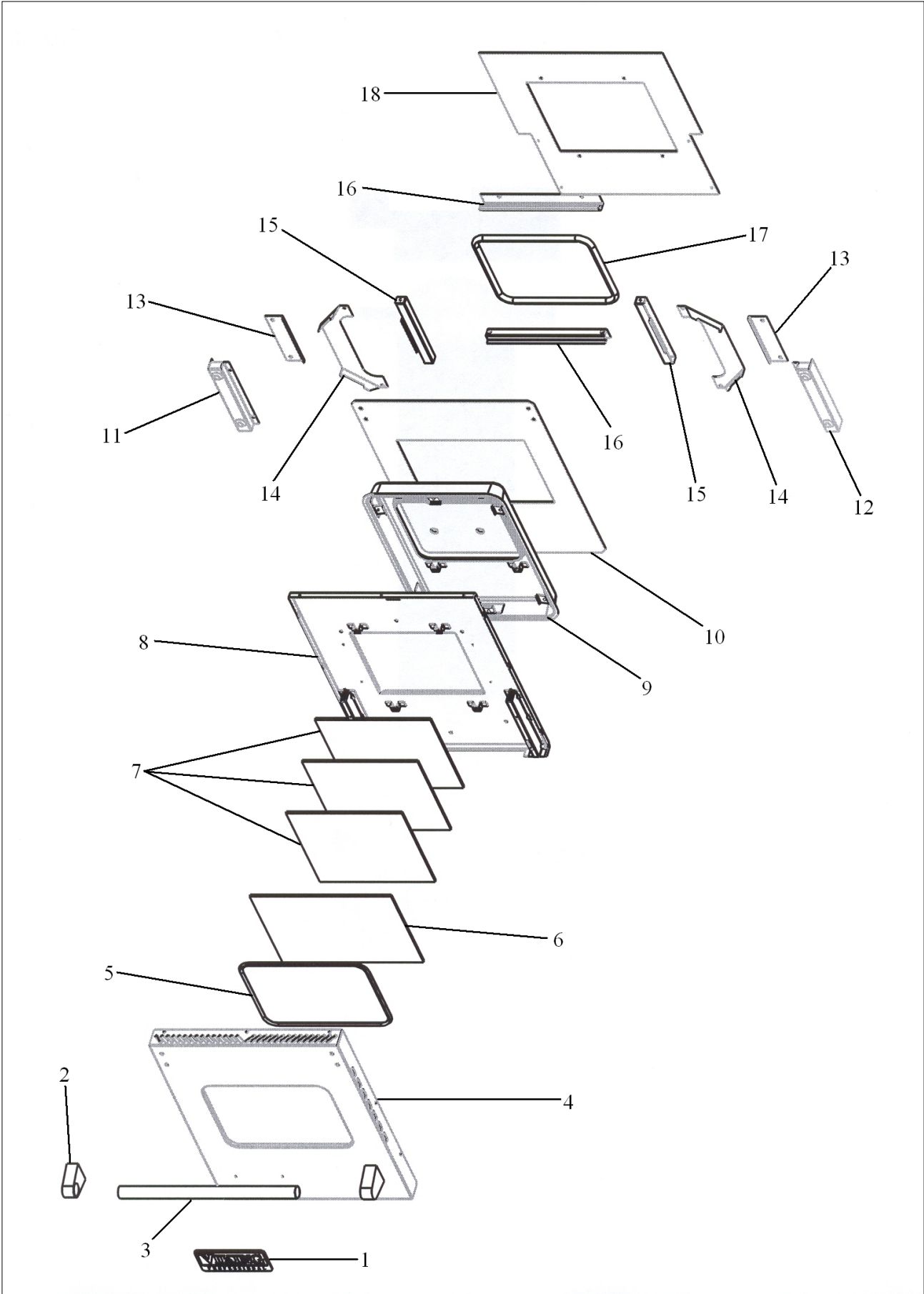


Item	Part No.	Name	Qty	Uom	NOTES
Not Shown	C9007869WH	IC SEALED RH SIDE PANEL *WH*	1	EA	Not available online / Call for pricing and availability
5	PJ010003	CONVECTION ELEMENT (VDSC) 240V	1	EA	
6	PJ010004	BAKE ELEMENT (VDSC) 240V	1	EA	
7	PJ010005	BAKE ELEMENT LH VDSC-48 240V	1	EA	
8	A2002451	FRONT RELAY BRKT (VDSC)	1	EA	
9	PM010129	RELAY	1	EA	
10	PD040005	SNAP BUSHING - 7/8"	1	EA	
11	E9102170	CONVECTION FAN COVER	1	EA	
12	PJ010007	PROOF ELEMENT LH VDSC-48	1	EA	

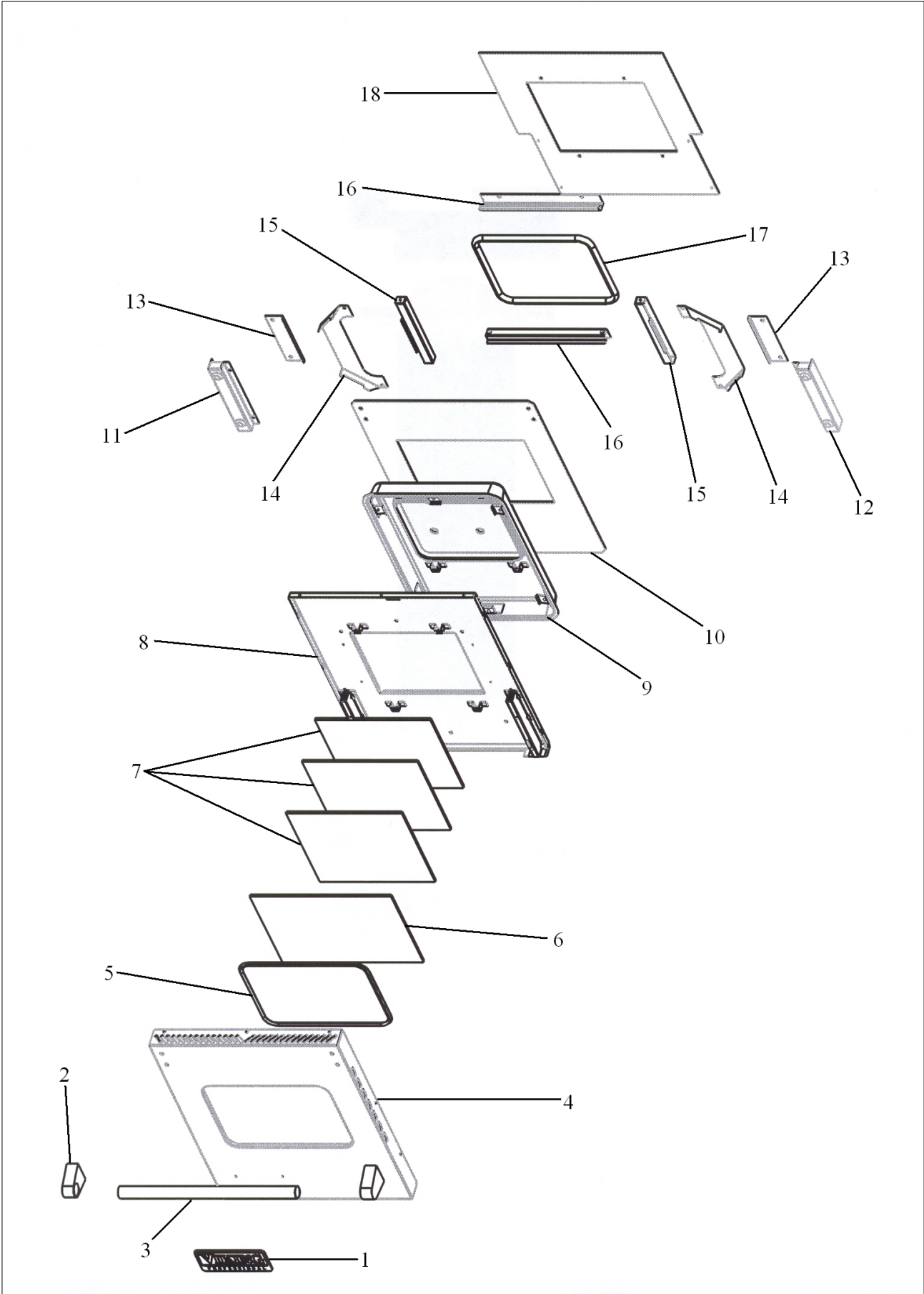
LH DOOR



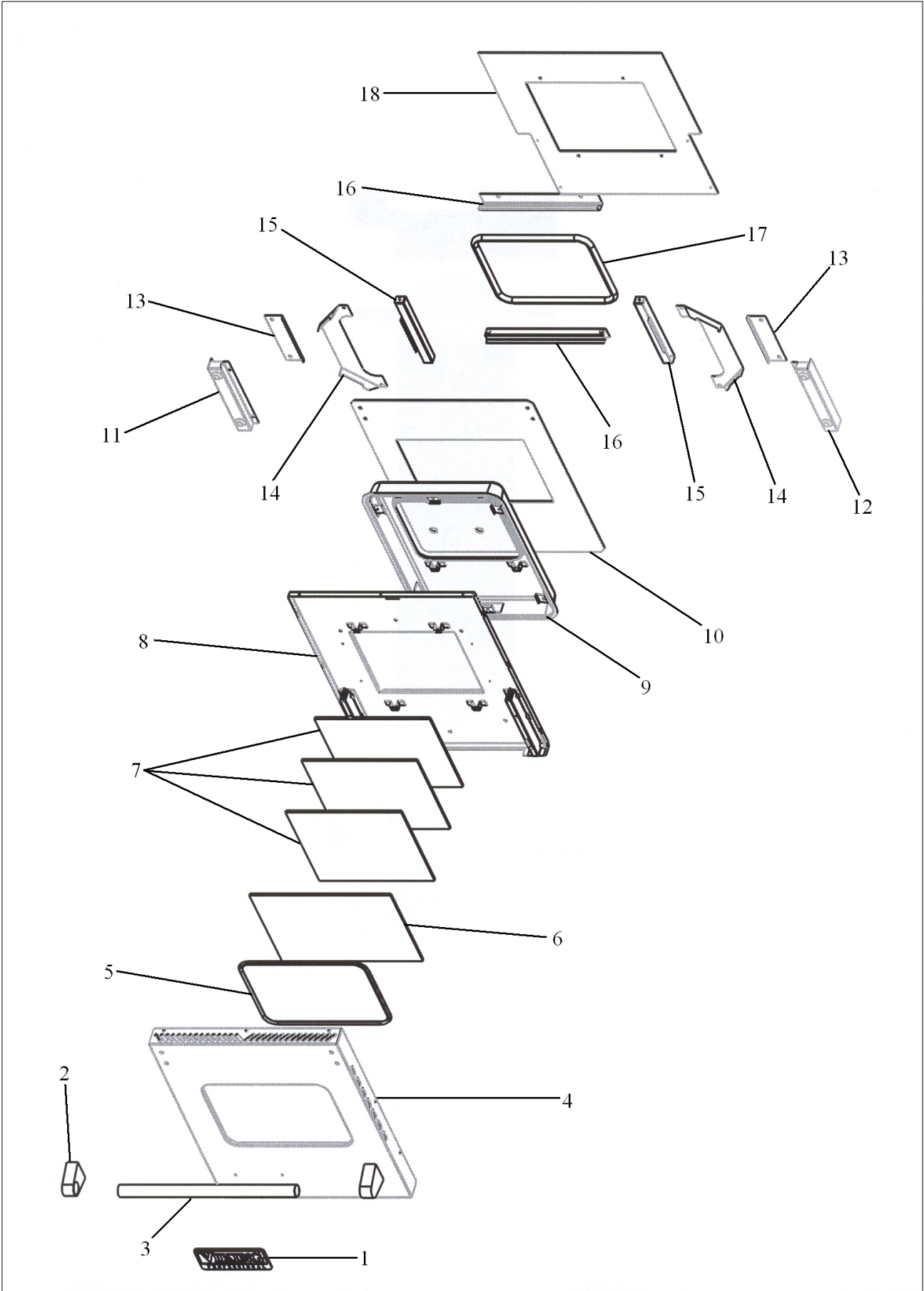
Item	Part No.	Name	Qty	Uom	NOTES
1	PE010030	LOGO	1	EA	
Not Shown	PE010031	LOGO 6" (VGRC) *BK/WH*	1	EA	NO LONGER AVAILABLE
Not Shown	PE010068	LOGO 6" (VGRC) BK/BR	1	EA	
Not Shown	PE010076	LOGO 6" (VGRC) *BR/WH*	1	EA	NO LONGER AVAILABLE
2	000268-000	HANDLE ENDCAP	1	EA	
Not Shown	PE030001PVD	END CAP DOOR HANDLE *BR	1	EA	
3	PE030008	DOOR HANDLE - LH 48VGRC	1	EA	
Not Shown	PE030014PVD	DOOR HANDLE - LH - (48") PVD	1	EA	
4	B2002504	O/S DOOR PANEL LH *SS* (VDSC48)	1	EA	
Not Shown	C9002504AL	O/S DOOR PANEL-LH *AL* (VDSC48)	1	EA	NO LONGER AVAILABLE, Not available online / Call for pricing and availability
Not Shown	C9002504BK	O/S DOOR PANEL-LH *BK* (VDSC48)	1	EA	
Not Shown	C9002504BT	O/S DOOR PANEL-LH *BT* (VDSC48)	1	EA	NO LONGER AVAILABLE
Not Shown	C9002504BU	O/S DOOR PANEL-LH *BU* (VDSC48)	1	EA	
Not Shown	C9002504CB	O/S DOOR PANEL-LH *CB* (VDSC48)	1	EA	NO LONGER AVAILABLE
Not Shown	C9002504EP	O/S DOOR PANEL-LH *EP* (VDSC48)	1	EA	NO LONGER AVAILABLE, Not available online / Call for pricing and availability
Not Shown	C9002504FG	O/S DOOR PANEL-LH *FG* (VDSC48)	1	EA	NO LONGER AVAILABLE, Not available online / Call for pricing and availability
Not Shown	C9002504GG	O/S DOOR PANEL-LH *GG* (VDSC48)	1	EA	
Not Shown	C9002504LE	O/S DOOR PANEL-LH *LE* (VDSC48)	1	EA	NO LONGER AVAILABLE
Not Shown	C9002504MJ	O/S DOOR PANEL-LH *MJ* (VDSC48)	1	EA	NO LONGER AVAILABLE, Not available online / Call for pricing and availability



Item	Part No.	Name	Qty	Uom	NOTES
Not Shown	C9002504SG	O/S DOOR PANEL-SG *SG* (VDSC48)	1	EA	Not available online / Call for pricing and availability
Not Shown	C9002504VB	O/S DOOR PANEL-LH*VB* (VDSC48)	1	EA	NO LONGER AVAILABLE, Not available online / Call for pricing and availability
Not Shown	C9002504WH	O/S DOOR PANEL-LH *WH* (VDSC48)	1	EA	
5	PE060046	J-MOLD LH SS (DF48 DOOR)	1	EA	
Not Shown	PE060048	J-MOLD LH *BR* (DF48 DOOR)	1	EA	NO LONGER AVAILABLE
6	PE060049	GLASS LH *TE* DF48DOOR	1	EA	
7	PE060032	GLASS (HEAT BARRIER) LH DF48DOOR	1	EA	
8	H9102502	OVEN DR LINER ASSY LH (VDSC48)	1	EA	
9	H9102507	DOOR PLUG ASSY LH (VDSC48)	1	EA	Not available online / Call for pricing and availability
10	J1002506	OVEN DR HEAT SINK LH (VDSC48)	1	EA	
11	A2002499	HINGE POCKET COVER LH	1	EA	
12	A2002498	HINGE POCKET COVER RH	1	EA	
13	A2002189	DOOR GLASS STANDOFF (VDSC)	1	EA	
14	E9102668	WINDOW BRKT (O/S DOOR GLASS)	1	EA	Not available online / Call for pricing and availability
15	E9102822	SUB TO E9108203	1	EA	NO LONGER AVAILABLE, Not available online / Call for pricing and availability
16	E9108202	WINDOW LINER TOP/BTM 48" LH ONLY	1	EA	NO LONGER AVAILABLE, Not available online / Call for pricing and availability
17	000594-000	BLACK FIBERGLASS ROPE 3/8	1	EA	

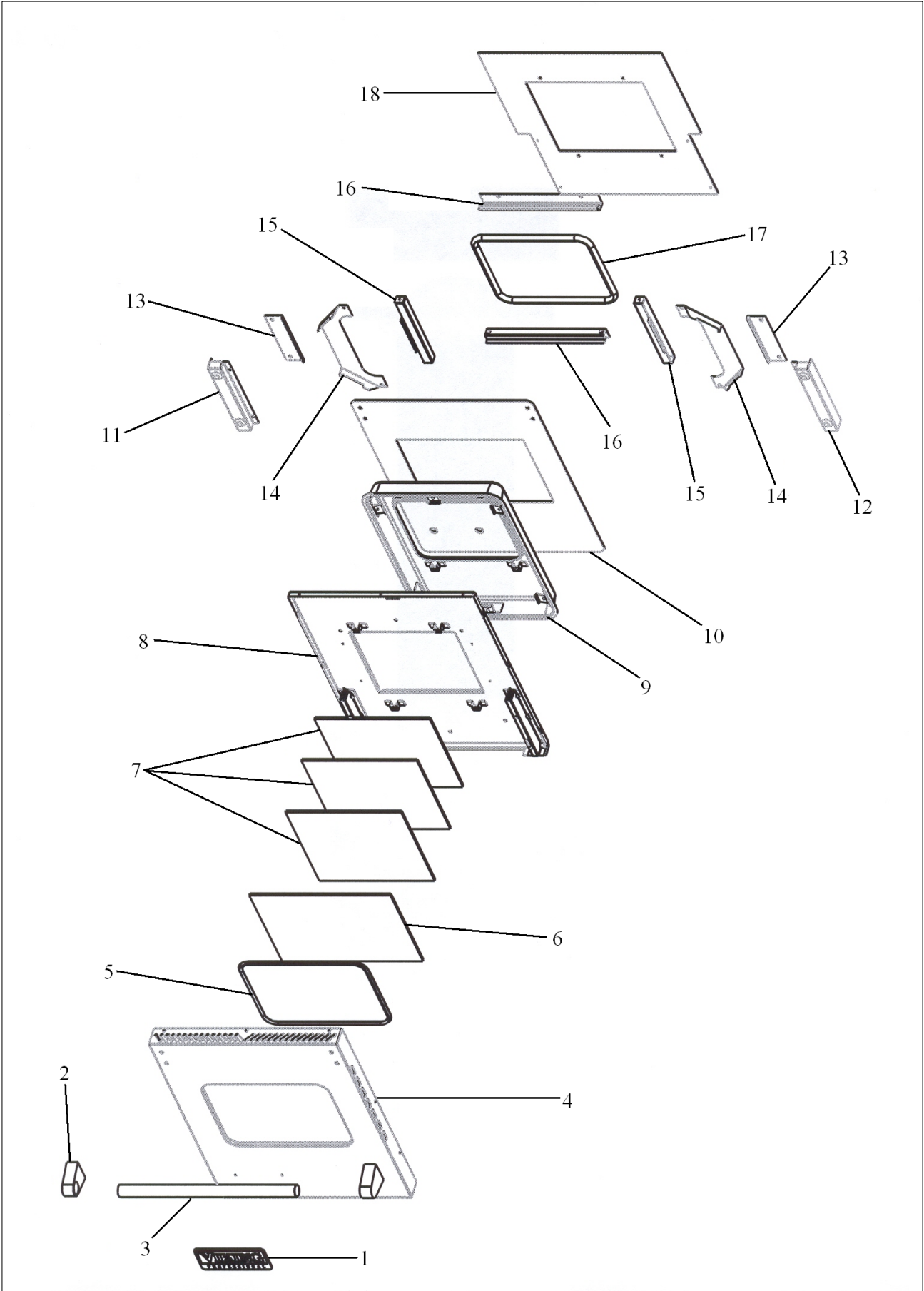


Item	Part No.	Name	Qty	Uom	NOTES
18	J1004499	DOOR HEAT SINK (INNER)	1	EA	NO LONGER AVAILABLE, Not available online / Call for pricing and availability
NI	000623-000	DOOR GASKET(3/8"DIA.) (VDSC)	1	EA	
NI	PB070076	WOOL INSULATION 1" X 21" X 3'	1	EA	
NI	G3202509AL	DOOR SUB-ASSY- LH *AL* (VDSC48)	1	EA	NO LONGER AVAILABLE, Not available online / Call for pricing and availability
Not Shown	G3202509ALBR	DOOR SUB-ASSY- LH *AL**BR*(VDSC48)	1	EA	NO LONGER AVAILABLE, Not available online / Call for pricing and availability
Not Shown	G3202509BK	DOOR SUB-ASSY- LH *BK* (VDSC48)	1	EA	NO LONGER AVAILABLE
Not Shown	G3202509BKBR	DOOR SUB-ASSY- LH *BK**BR* (VDSC48)	1	EA	NO LONGER AVAILABLE, Not available online / Call for pricing and availability
Not Shown	G3202509BT	DOOR SUB-ASSY-LH *BT* (VDSC48)	1	EA	NO LONGER AVAILABLE, Not available online / Call for pricing and availability
Not Shown	G3202509BTBR	DOOR SUB-ASSY- LH *BT**BR*(VDSC48)	1	EA	NO LONGER AVAILABLE, Not available online / Call for pricing and availability
Not Shown	G3202509BU	DOOR SUB-ASSY- LH *BU* (VDSC48)	1	EA	NO LONGER AVAILABLE, Not available online / Call for pricing and availability
Not Shown	G3202509BUBR	DOOR SUB-ASSY LH *BU**BR* (VDSC48)	1	EA	NO LONGER AVAILABLE, Not available online / Call for pricing and availability
Not Shown	G3202509CB	DOOR SUB-ASSY-LH *CB* (VDSC48)	1	EA	NO LONGER AVAILABLE
Not Shown	G3202509CBBR	COMPLETE DOOR ASSY - CBBR	1	EA	Not available online / Call for pricing and availability





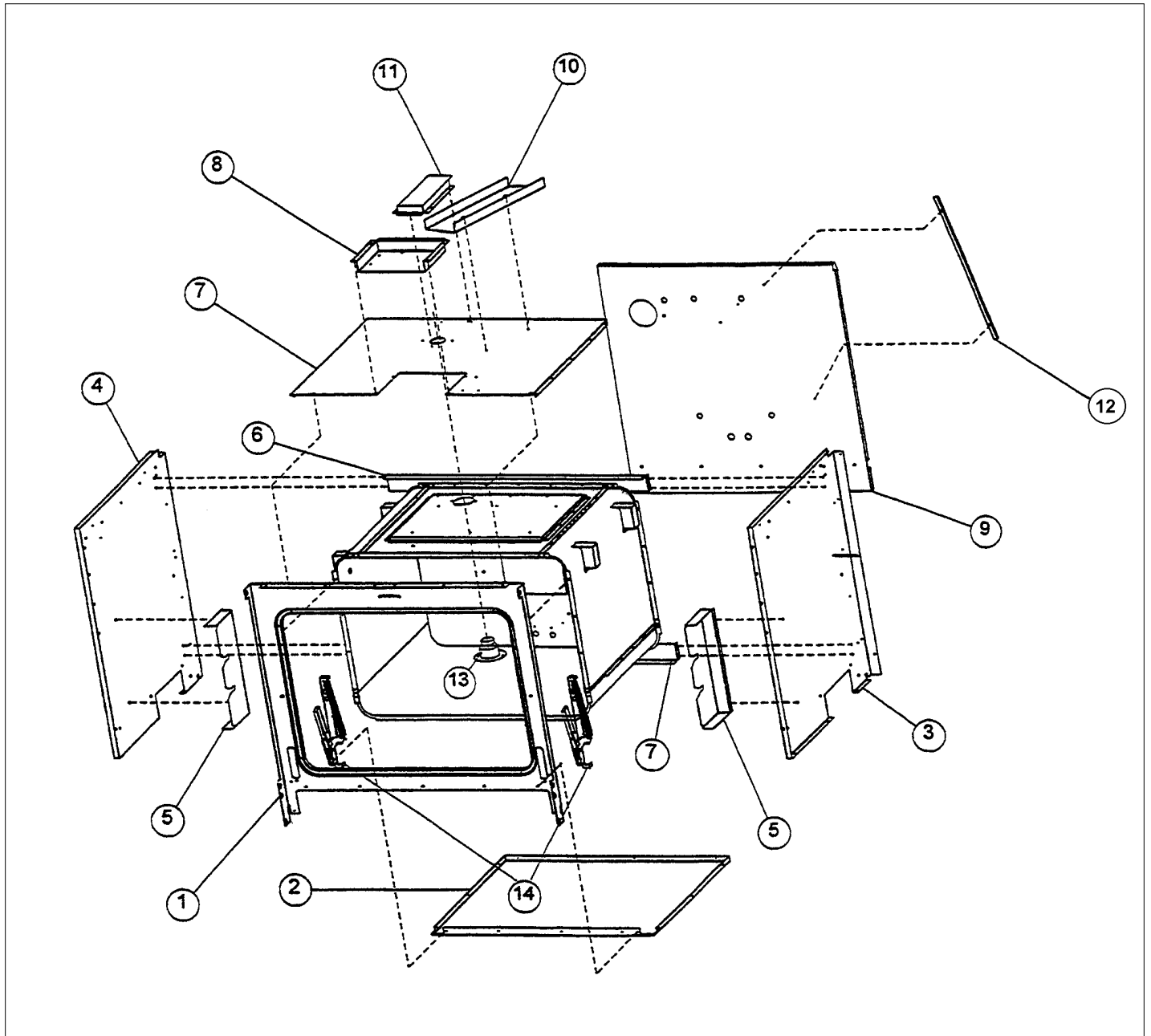
Item	Part No.	Name	Qty	Uom	NOTES
Not Shown	G3202509EP	DOOR SUB-ASSY- LH *EP* (VDSC48)	1	EA	NO LONGER AVAILABLE, Not available online / Call for pricing and availability
Not Shown	G3202509EPBR	COMPLETE DOOR ASSY - EPBR	1	EA	Not available online / Call for pricing and availability
Not Shown	G3202509FG	DOOR SUB-ASSY- LH *FG* (VDSC48)	1	EA	NO LONGER AVAILABLE, Not available online / Call for pricing and availability
Not Shown	G3202509FGBR	DOOR SUB-ASSY- LH *FG**BR* (VDSC48)	1	EA	NO LONGER AVAILABLE, Not available online / Call for pricing and availability
Not Shown	G3202509GG	DOOR SUB-ASSY- LH *GG* (VDSC48)	1	EA	NO LONGER AVAILABLE, Not available online / Call for pricing and availability
Not Shown	G3202509GGBR	DOOR SUB-ASSY- LH *GG*BR* (VDSC48)	1	EA	NO LONGER AVAILABLE, Not available online / Call for pricing and availability
Not Shown	G3202509LE	DOOR SUB-ASSY- LH *LE* (VDSC48)	1	EA	NO LONGER AVAILABLE, Not available online / Call for pricing and availability
Not Shown	G3202509LEBR	DOOR SUB-ASSY- LH *LE**BR* (VDSC48)	1	EA	NO LONGER AVAILABLE, Not available online / Call for pricing and availability
Not Shown	G3202509MJ	DOOR SUB-ASSY- LH *MJ* (VDSC48)	1	EA	NO LONGER AVAILABLE, Not available online / Call for pricing and availability
Not Shown	G3202509MJBR	DOOR SUB-ASSY- LH *MJ**BR* (VDSC48)	1	EA	NO LONGER AVAILABLE, Not available online / Call for pricing and availability
Not Shown	G3202509SG	DOOR SUB-ASSY- LH *SG* (VDSC48)	1	EA	NO LONGER AVAILABLE





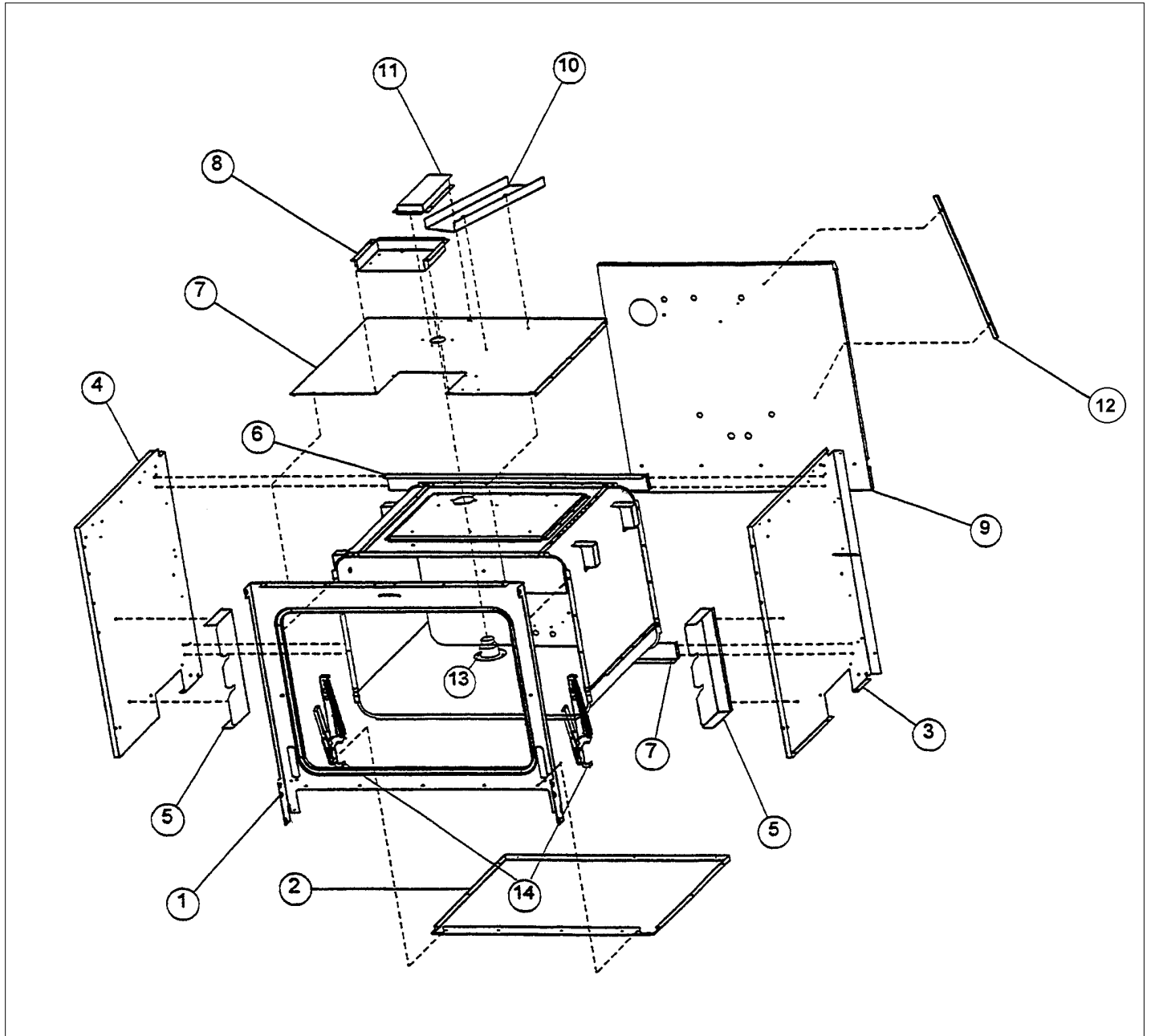
Item	Part No.	Name	Qty	Uom	NOTES
Not Shown	G3202509SGBR	DOOR SUB-ASSY- LH *SG**BR*(VDSC48)	1	EA	NO LONGER AVAILABLE, Not available online / Call for pricing and availability
Not Shown	G3202509SS	DOOR SUB-ASSY- LH *SS*(VDSC48)	1	EA	
Not Shown	G3202509SSBR	DOOR SUB-ASSY- LH *SS**BR*(VDSC48)	1	EA	NO LONGER AVAILABLE, Not available online / Call for pricing and availability
Not Shown	G3202509VB	DOOR SUB-ASSY- LH *VB*(VDSC48)	1	EA	NO LONGER AVAILABLE, Not available online / Call for pricing and availability
Not Shown	G3202509VBBR	DOOR SUB-ASSY- LH *VB**BR*(VDSC48)	1	EA	NO LONGER AVAILABLE, Not available online / Call for pricing and availability
Not Shown	G3202509WH	DOOR SUB-ASSY- LH *WH*(VDSC48)	1	EA	NO LONGER AVAILABLE, Not available online / Call for pricing and availability
Not Shown	G3202509WHBR	DOOR SUB-ASSY- LH *WH**BR*(VDSC48)	1	EA	NO LONGER AVAILABLE, Not available online / Call for pricing and availability

LH OVEN CAV. INS. RETAINER





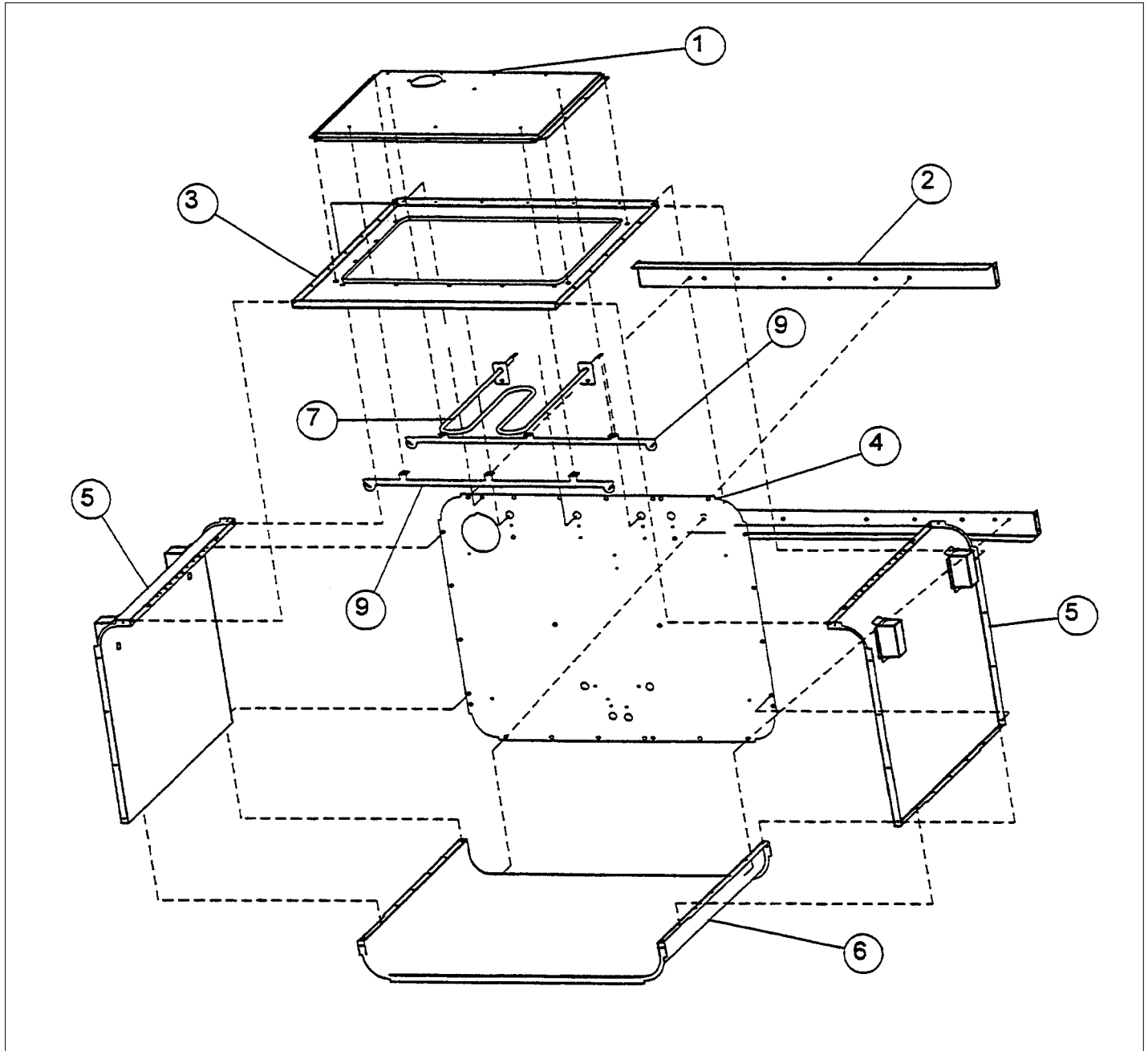
Item	Part No.	Name	Qty	Uom	NOTES
1	G9102518	FRONT FRAME ASSY LH (VDSC48)	1	EA	NO LONGER AVAILABLE, Not available online / Call for pricing and availability
2	A2002523	OVEN BOT.INSUL RETAINER LH (VDSC48)	1	EA	NO LONGER AVAILABLE, Not available online / Call for pricing and availability
3	A2002525	CENTER INSUL RETAINER LH (VDSC4)	1	EA	NO LONGER AVAILABLE, Not available online / Call for pricing and availability
4	A2002547	SIDE INSULATION RETAINER LH VDSC	1	EA	NO LONGER AVAILABLE, Not available online / Call for pricing and availability
5	A2002183	HINGE INSULATION COVER (VDSC)	1	EA	
6	A2002517	REAR OVEN SUPT (VDSC48)	1	EA	NO LONGER AVAILABLE, Not available online / Call for pricing and availability
7	A2002522	OVEN TOP INSUL RETAINER LH (VDSC48)	1	EA	NO LONGER AVAILABLE, Not available online / Call for pricing and availability
8	A2002168	DOOR LATCH BRKT (VDSC)	1	EA	
9	A2002527	OVEN BACK INSUL RET. LH (VDSC48)	1	EA	NO LONGER AVAILABLE, Not available online / Call for pricing and availability
10	A2002450	LATCH COOLING DUCT (VDSC)	1	EA	NO LONGER AVAILABLE, Not available online / Call for pricing and availability
11	A2002536	SMOKE ELIMINATOR VENT LH (VDSC48)	1	EA	NO LONGER AVAILABLE, Not available online / Call for pricing and availability
12	A2002477	AIR WASH ANGLE (VDSC)	1	EA	NO LONGER AVAILABLE, Not available online / Call for pricing and availability





Item	Part No.	Name	Qty	Uom	NOTES
13	PM010014	SMOKE ELIMINATOR (VDSC)	1	EA	
14	PC020003	HINGE ASSY (BLUE)	1	EA	

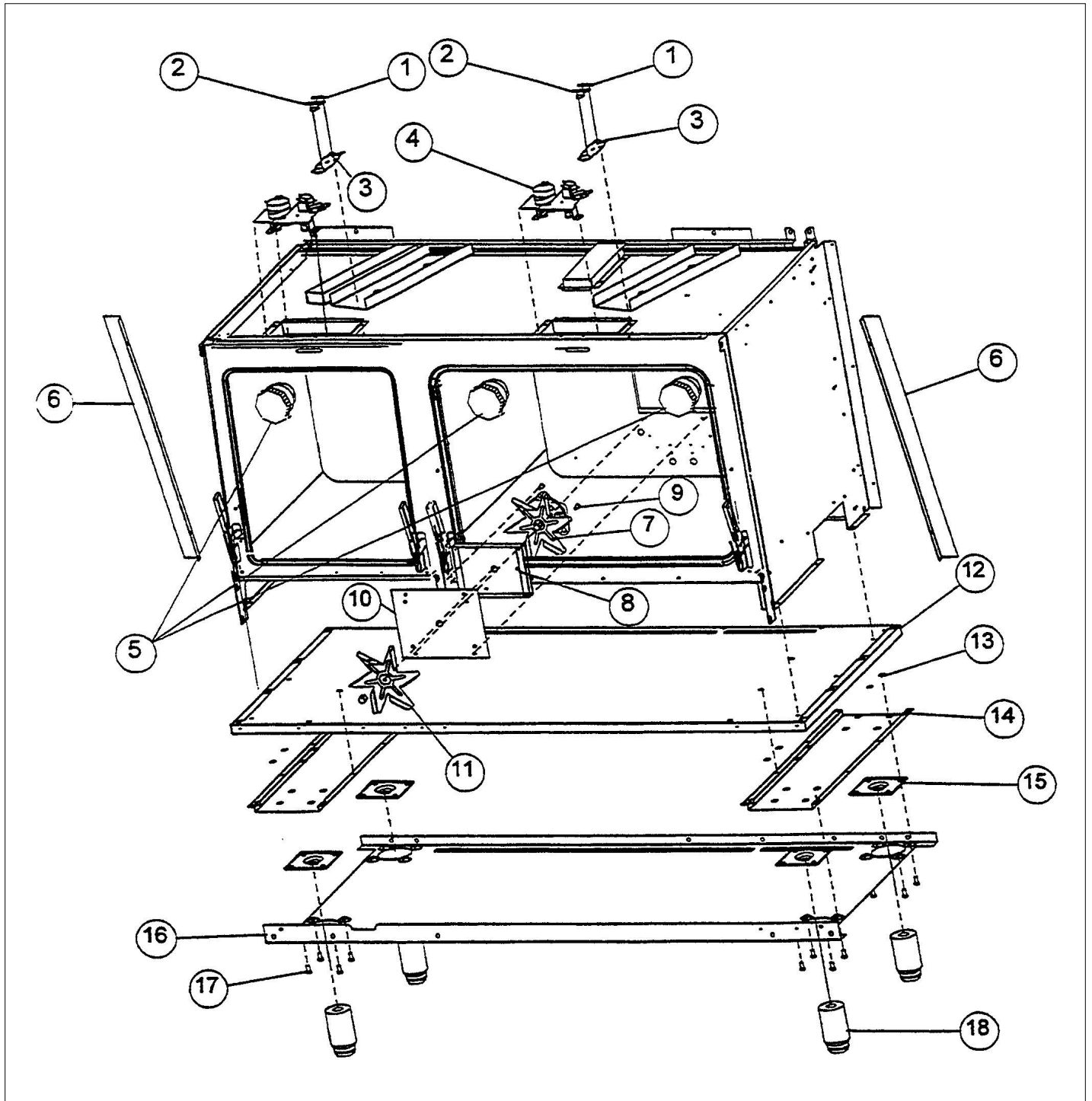
LH OVEN CAVITY





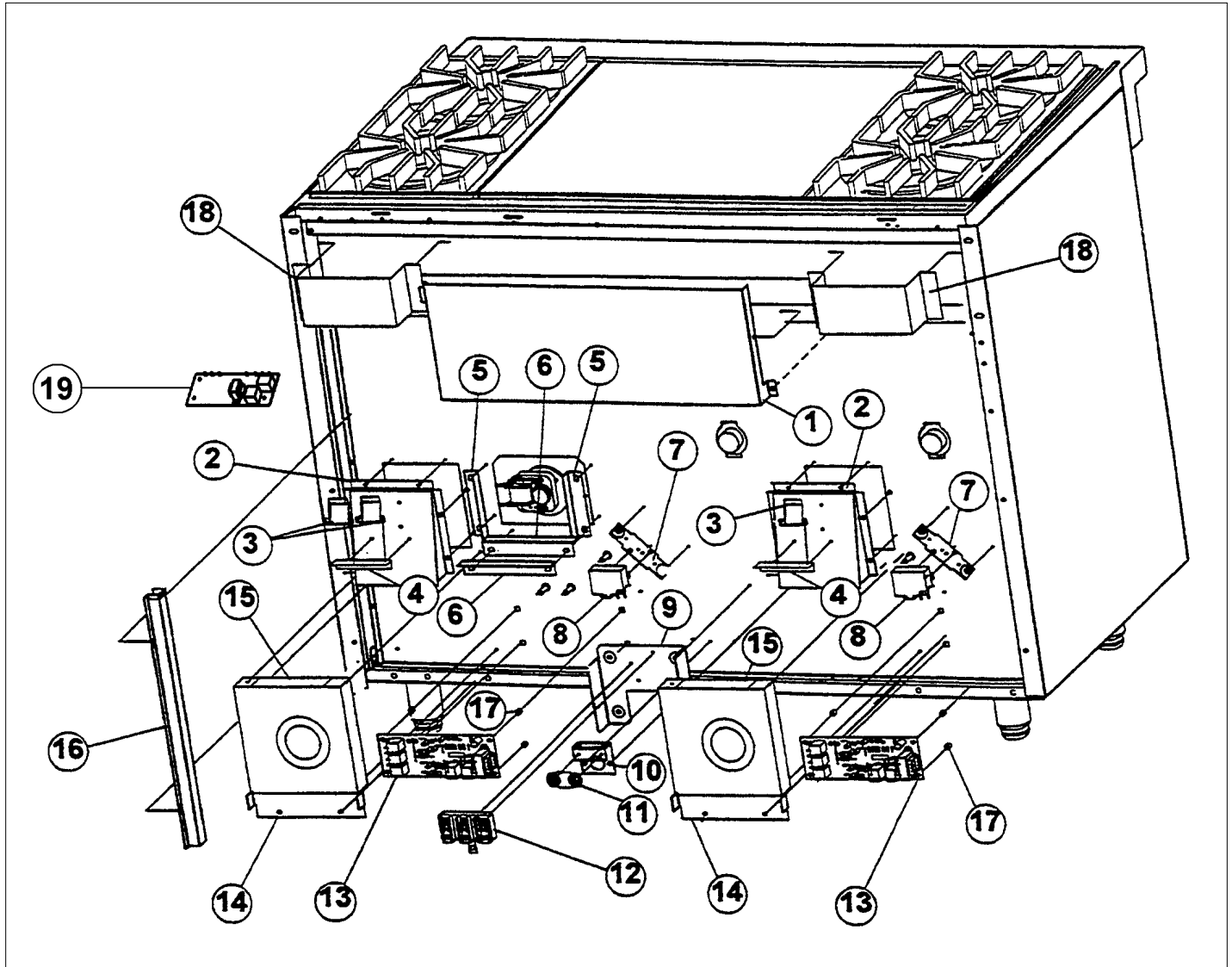
Item	Part No.	Name	Qty	Uom	NOTES
1	B2002514	BROILER TOP (VDSC48-LH)	1	EA	NO LONGER AVAILABLE, Not available online / Call for pricing and availability
2	A2002517	REAR OVEN SUPT (VDSC48)	1	EA	NO LONGER AVAILABLE, Not available online / Call for pricing and availability
3	E9102513	OVEN TOP LINER LH (VDSC48)	1	EA	NO LONGER AVAILABLE, Not available online / Call for pricing and availability
4	E9102516	OVEN BACK LINER LH (VDSC48)	1	EA	NO LONGER AVAILABLE, Not available online / Call for pricing and availability
5	G9102736	OVEN SIDE ASSY (VDSC)	1	EA	NO LONGER AVAILABLE, Not available online / Call for pricing and availability
6	E9102464	OVEN BTM LINER LH (VDSC48)	1	EA	NO LONGER AVAILABLE, Not available online / Call for pricing and availability
7	PJ010001	BROIL ELEMENT 240V	1	EA	
8	B2002515	BROIL ELEMENT BRKT LH (VDSC48)	1	EA	NO LONGER AVAILABLE, Not available online / Call for pricing and availability
NI	PD020003	#10 X 1/2 T(A) HEX WASHER HEAD	1	EA	
NI	PD020048	NO.10 X 1/2 TEK 410 SS SCREW	1	EA	

OVEN CAVITY TOP AND BTM

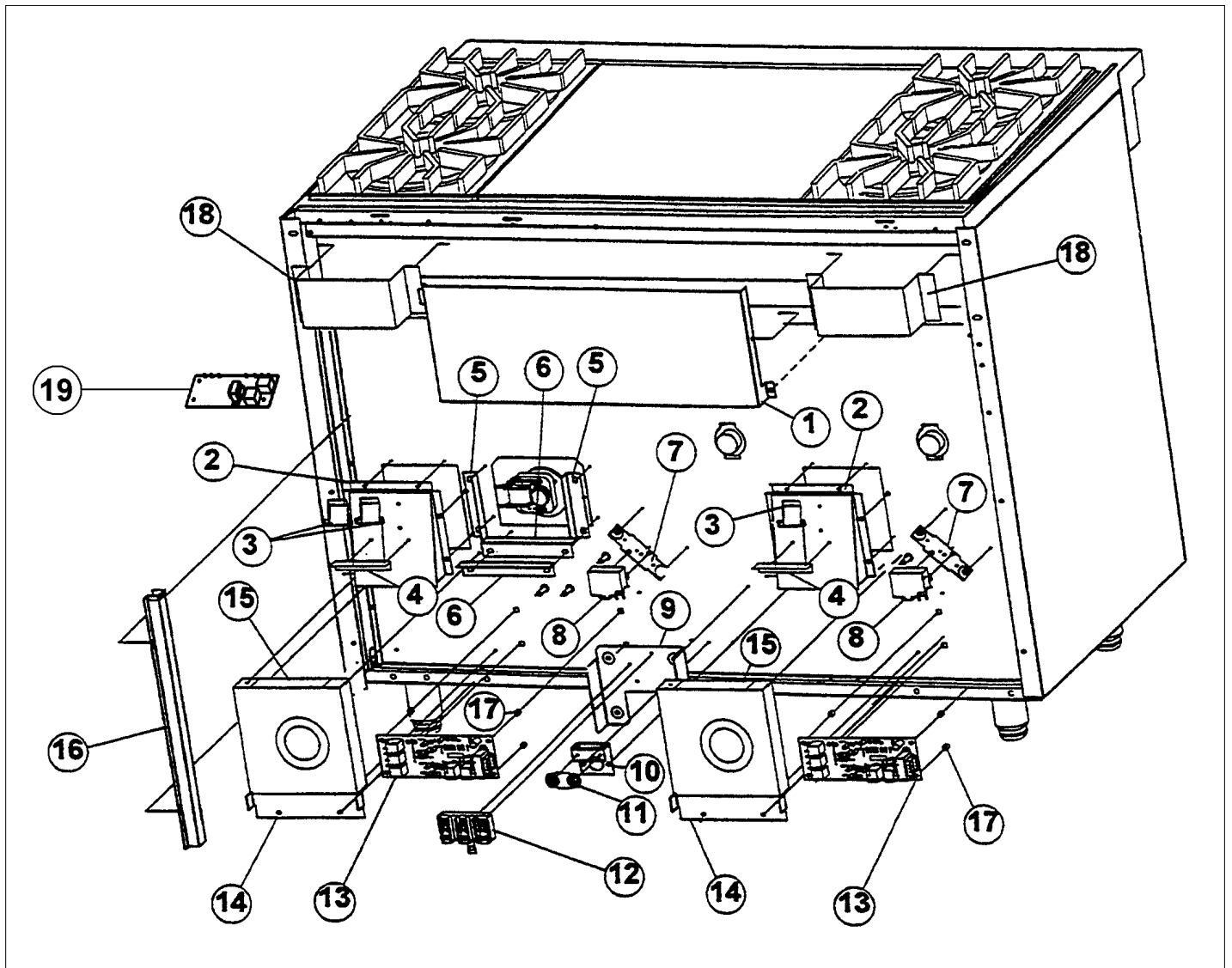


Item	Part No.	Name	Qty	Uom	NOTES
1	PJ030005	SWITCH (HIGH-LIMIT) VDSC		EA	
2	PJ030006	SWITCH (COOLING FAN)		EA	
3	A1002456	THERMO-DISC BRKT (VDSC)		EA	
4	PE050053	DR LATCH REPL PE050020		EA	
5	031449-000	LAMP, ASM		EA	
6	A2002475	SIDE PANEL DIVERTER (VDSC)		EA	NO LONGER AVAILABLE
7	PE050005	CONVECTION FAN ASSY		EA	
8	A2002595	CONVECTION FAN BOX (VDSC)		EA	
9	PD020003	#10 X 1/2 T(A) HEX WASHER HEAD		EA	
10	A1002596	CONVECTION FAN COVER (VDSC)		EA	
11	PE050035	CONVECTION FAN BLADE		EA	
Not Shown	NOTE	(MUST ORDER ITEM 7)		EA	
12	A2002501	BTM INSULATION SHIELD (VDSC48)		EA	NO LONGER AVAILABLE, Not available online / Call for pricing and availability
13	PD030029	SELF RETAINING NUT (1/4-20)		EA	
14	A2002482	LEG BRACE (VDSC)		EA	NO LONGER AVAILABLE
15	PC030007	LEG PLATE - 3/4" THREADED HOLE		EA	
16	A2002500	MAIN BTM (VDSC485)		EA	NO LONGER AVAILABLE
17	PD010006	HEX HD. BOLT - 1/4-20 X 1/2		EA	
18	PC030017	4" LEG ASSY		EA	

REAR PANEL ASSY



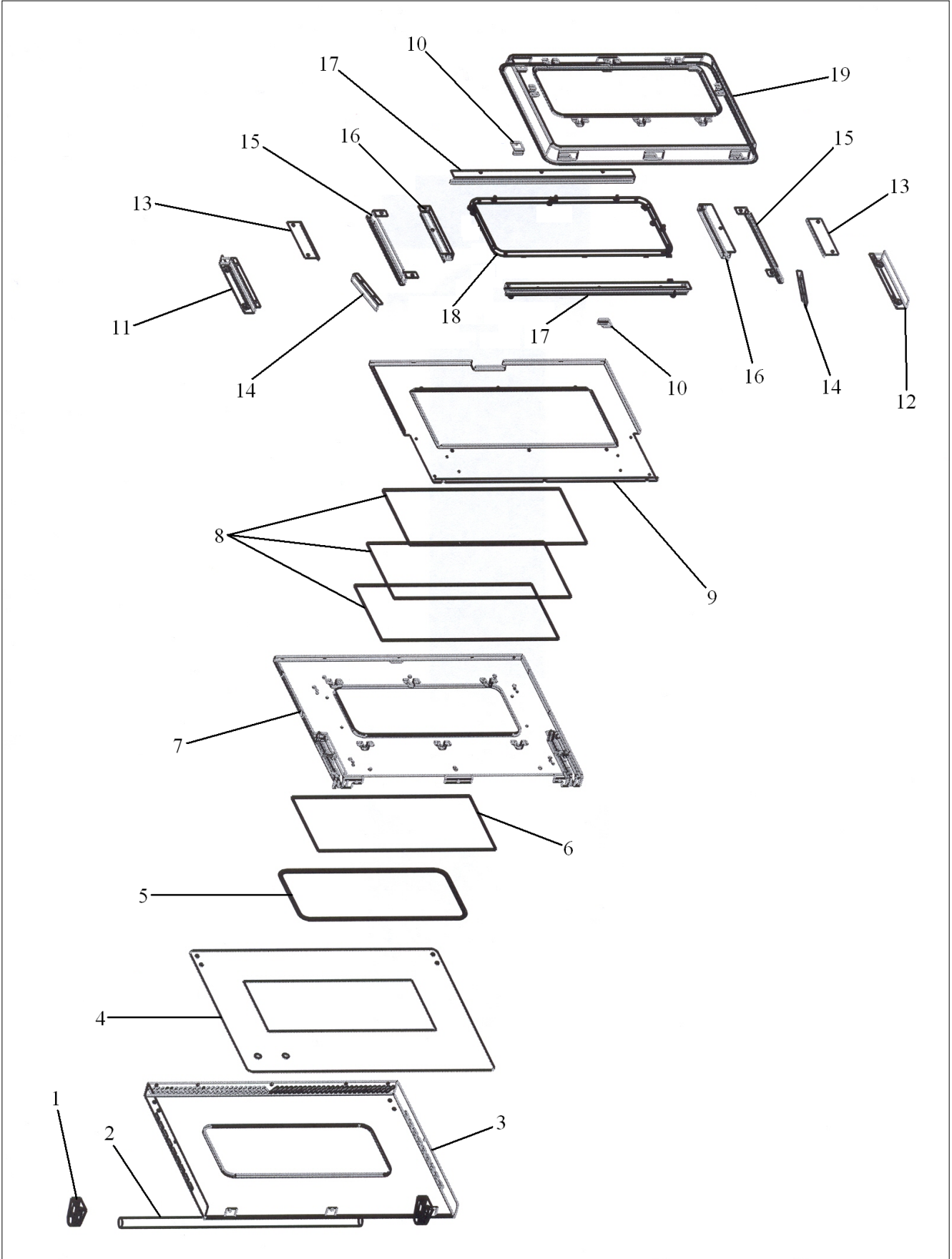
Item	Part No.	Name	Qty	Uom	NOTES
1	A2002537	OVEN FLUE LH (VDSC48)	1	EA	NO LONGER AVAILABLE
2	A2002180	COOLING FAN HOUSING (VDSC)	1	EA	NO LONGER AVAILABLE
3	PM010025	RELAY (DOUBLE POLE-DOUBLE THROW)	1	EA	
4	A2007827	RELAY MOUNTING BRACKET	1	EA	NO LONGER AVAILABLE, Not available online / Call for pricing and availability
5	A2001746	SIDE FAN SHIELD	1	EA	Not available online / Call for pricing and availability
6	A2008467	INSULATION SHIELD	1	EA	
7	A1002456	THERMO-DISC BRKT (VDSC)	1	EA	
8	PJ030002	AUTO RESET (SELF-CLEAN) VDSC	1	EA	
9	A2002193	ELECTRICAL MOUNTING BRKT (VDSC)	1	EA	NO LONGER AVAILABLE
10	A2002195	POWER CORD MOUNTING BRKT (VDSC)	1	EA	
11	A1002457	POWER CORD MOUNTING STRAP (VDSC)	1	EA	
12	PE070147	TERMINAL BLOCK (VDSC)	1	EA	
13	PE070148	SELF-CLEAN BOARD/TIMER (VDSC)	1	EA	
14	A2002579	WIRE SHIELD (VDSC)	1	EA	Not available online / Call for pricing and availability
15	PE050026	COOLING FAN (VDSC)	1	EA	
16	A2000210	WIRE CHANNEL	1	EA	NO LONGER AVAILABLE, Not available online / Call for pricing and availability
17	PD030033	GROMMET NUT-ROUND HD. #8 X .500DIA.	1	EA	
18	A2002801	SPARK MODULE PLATE (VDSC36/48)	1	EA	NO LONGER AVAILABLE, Not available online / Call for pricing and availability
19	G5007606	PRE-HEAT BOARD KIT (RANGE)	1	EA	





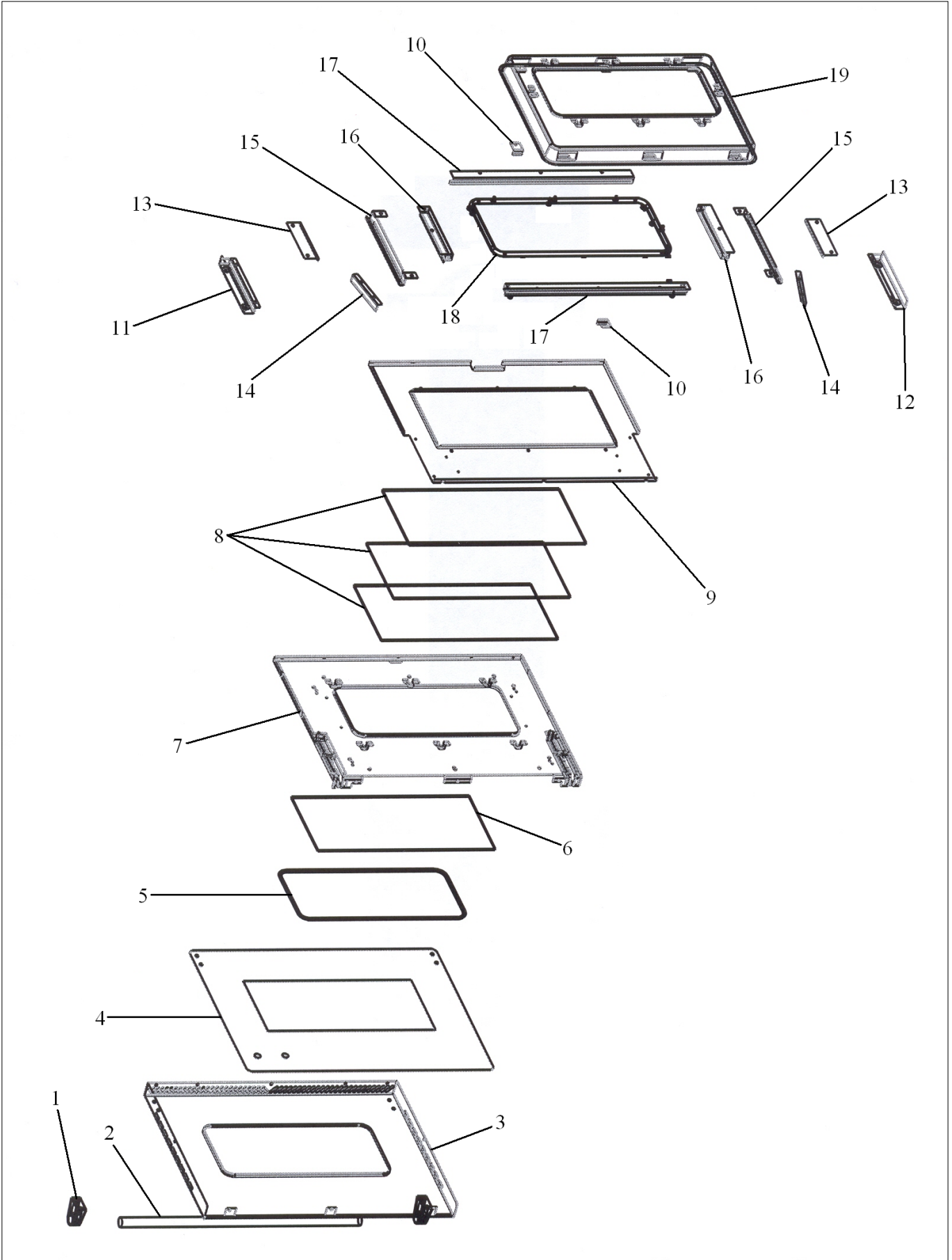
Item	Part No.	Name	Qty	Uom	NOTES
Not Shown	NOTE	(BEFORE 03/04/03)		EA	
Not Shown	PE070308	PRE-HEAT BOARD	1	EA	
Not Shown	NOTE	(AFTER 03/04/03)		EA	
NI	PE070321	RANGE PREHEAT HARNESS	1	EA	
Not Shown	NOTE	(AFTER 03/04/03)		EA	

RH DOOR

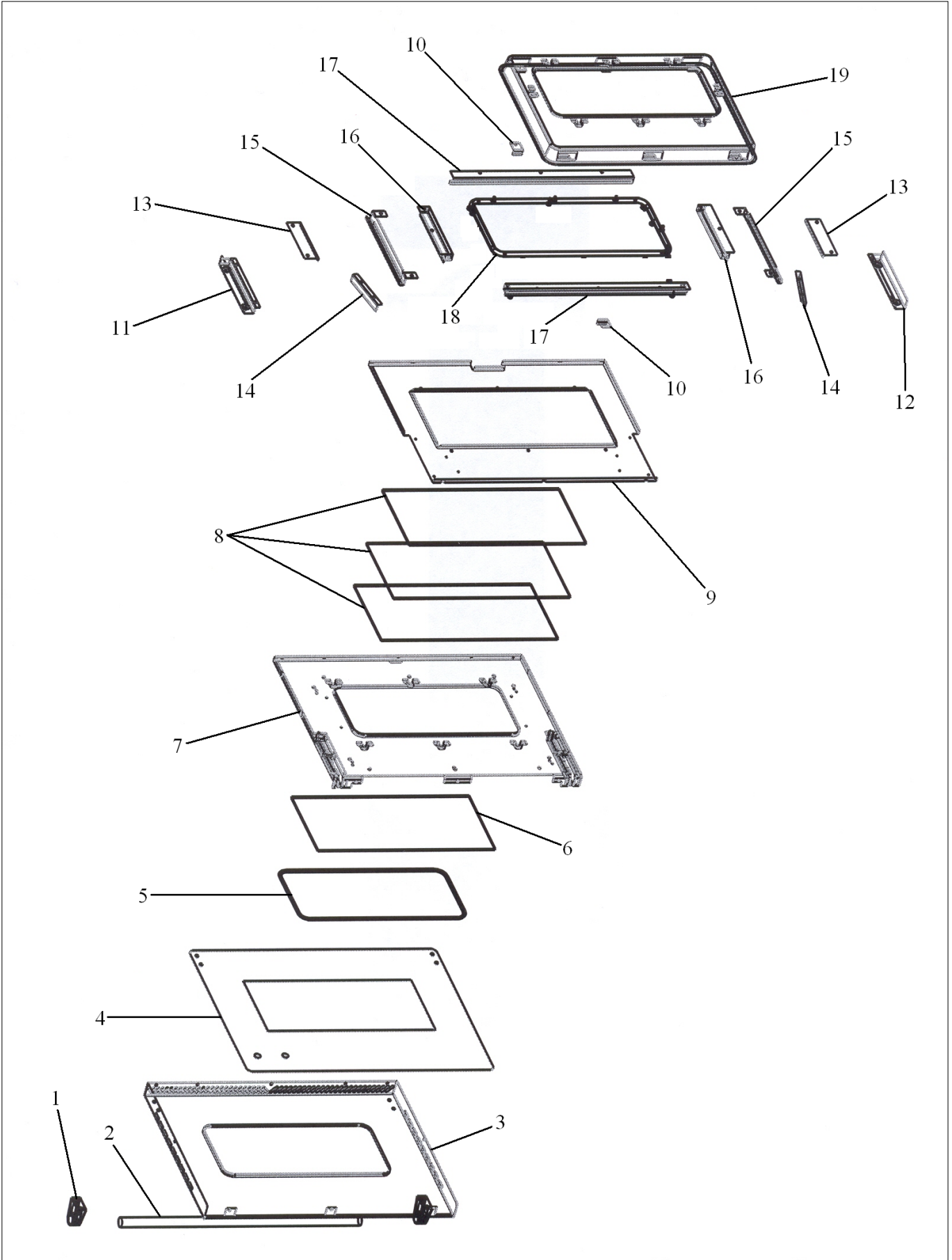




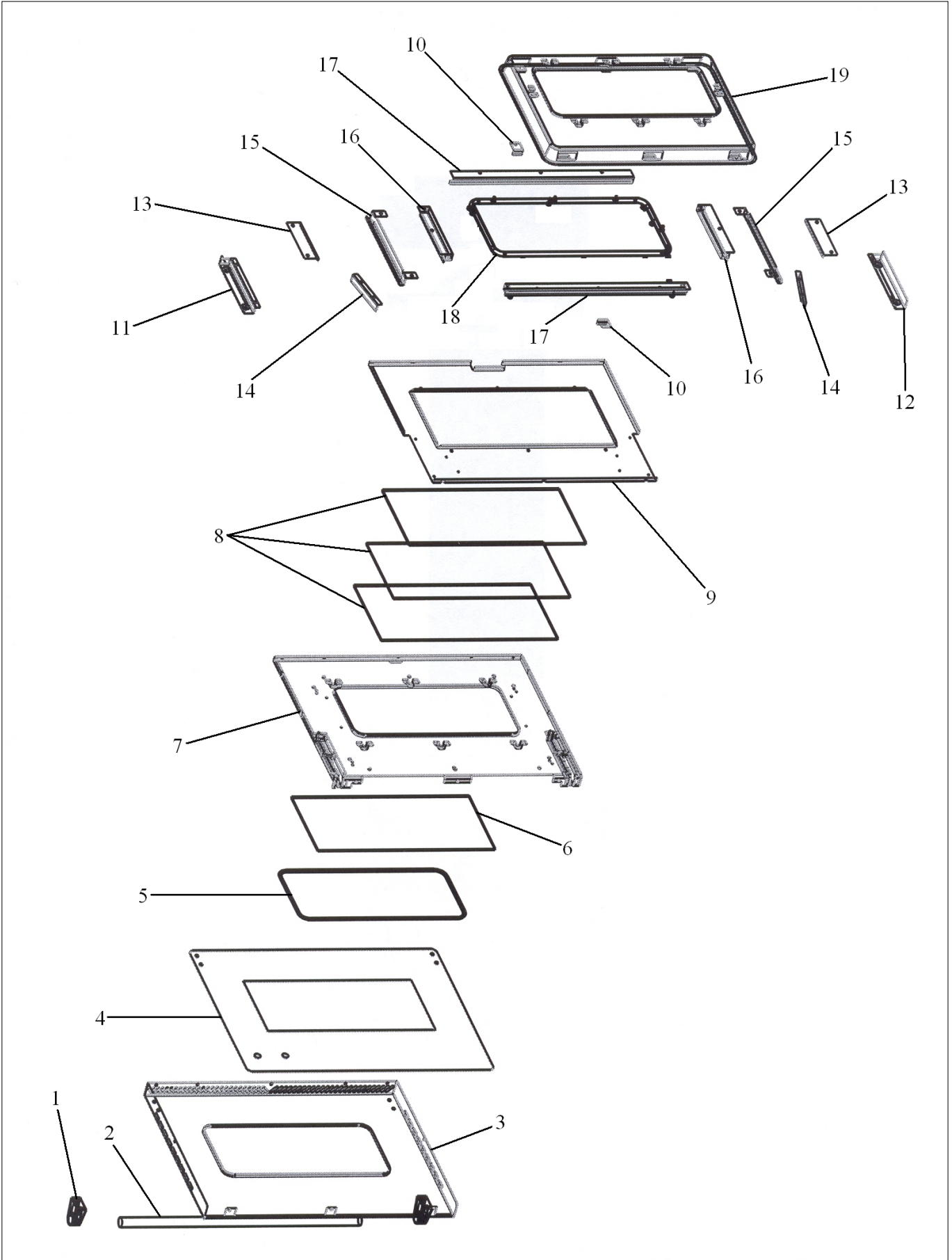
Item	Part No.	Name	Qty	Uom	NOTES
1	000268-000	HANDLE ENDCAP	1	EA	
Not Shown	PE030001PVD	END CAP DOOR HANDLE *BR	1	EA	
2	PE030005	DOOR HANDLE - VGSC30/RC60/RC48RH	1	EA	
Not Shown	PE030012PVD	DOOR HANDLE - RH - (30"/48") PVD	1	EA	
3	B2002528	O/S DOOR PANEL RH *SS* (VDSC48)	1	EA	
Not Shown	C9002528AL	O/S DOOR PANEL-RH *AL* (VDSC48)	1	EA	NO LONGER AVAILABLE
Not Shown	C9002528BK	O/S DOOR PANEL-RH *BK* (VDSC48)	1	EA	
Not Shown	C9002528BT	O/S DOOR PANEL-RH *BT* (VDSC48)	1	EA	NO LONGER AVAILABLE
Not Shown	C9002528BU	O/S DOOR PANEL-RH *BU* (VDSC48)	1	EA	
Not Shown	C9002528CB	O/S DOOR PANEL-RH *CB* (VDSC48)	1	EA	Not available online / Call for pricing and availability
Not Shown	C9002528EP	O/S DOOR PANEL-RH *EP* (VDSC48)	1	EA	NO LONGER AVAILABLE, Not available online / Call for pricing and availability
Not Shown	C9002528FG	O/S DOOR PANEL-RH *FG* (VDSC48)	1	EA	NO LONGER AVAILABLE, Not available online / Call for pricing and availability
Not Shown	C9002528GG	O/S DOOR PANEL-RH *GG* (VDSC48)	1	EA	Not available online / Call for pricing and availability
Not Shown	C9002528LE	O/S DOOR PANEL-RH *LE* (VDSC48)	1	EA	NO LONGER AVAILABLE
Not Shown	C9002528MJ	O/S DOOR PANEL-RH *MJ* (VDSC48)	1	EA	NO LONGER AVAILABLE, Not available online / Call for pricing and availability
Not Shown	C9002528SG	O/S DOOR PANEL-RH *SG* (VDSC48)	1	EA	Not available online / Call for pricing and availability



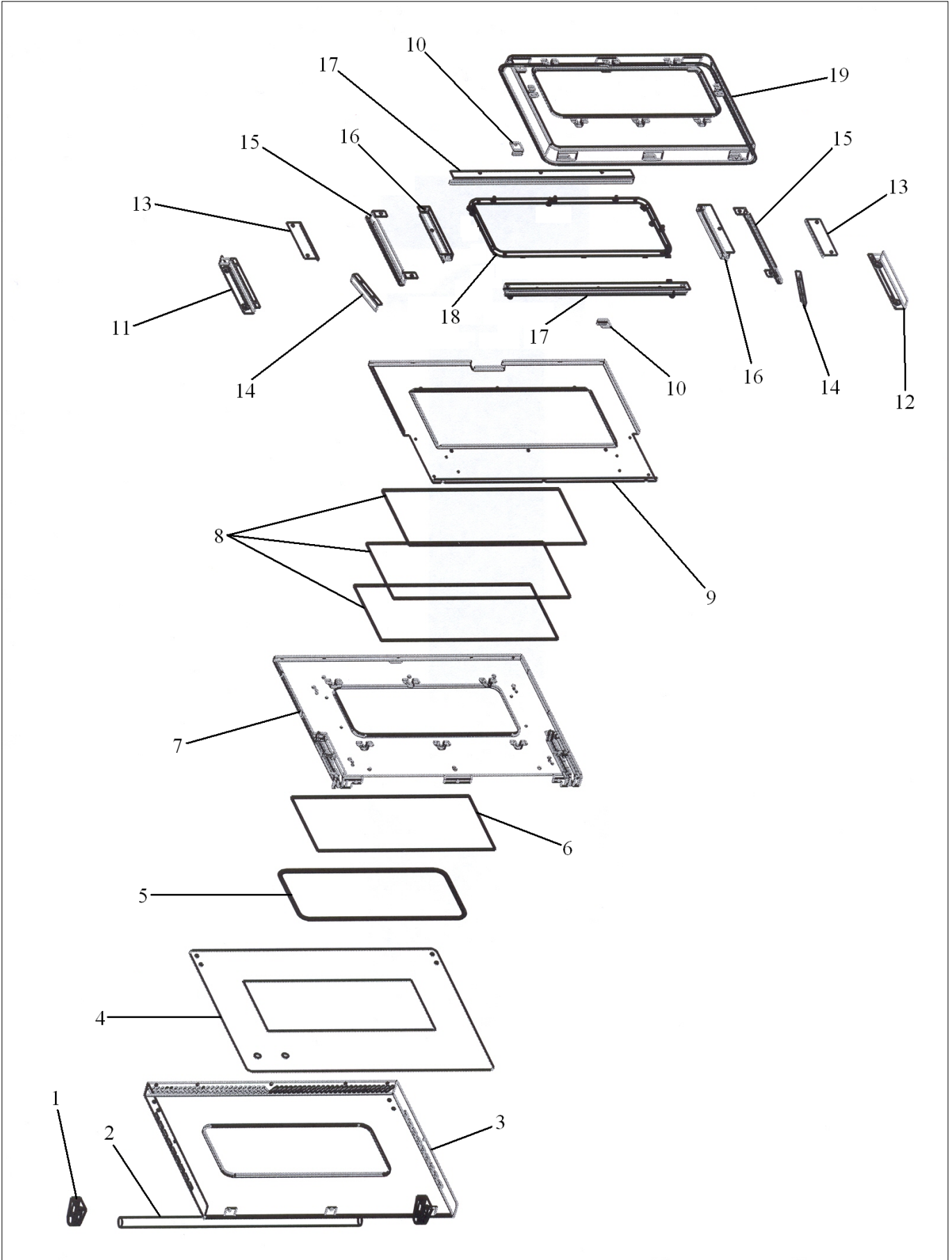
Item	Part No.	Name	Qty	Uom	NOTES
Not Shown	C9002528VB	O/S DOOR PANEL-RH *VB* (VDSC48)	1	EA	NO LONGER AVAILABLE, Not available online / Call for pricing and availability
Not Shown	C9002528WH	O/S DOOR PANEL-RH *WH* (VDSC48)	1	EA	NO LONGER AVAILABLE
4	J1002594	OVEN DR HEAT SINK (VDSC30)	1	EA	
5	PE060031	J-MOLD (LARGE WINDOW)	1	EA	
Not Shown	PE060045	J-MOLD (LARGE WINDOW) *BR*	1	EA	
6	PE060030	OUTER DOOR GLASS	1	EA	
7	G9102747	DR LINER ASY(VDSC30/48)REP H9102173	1	EA	
8	PE060064	WINDOW PACK, SELF CLEANING OVEN 30"	1	EA	
9	A2002169	DOOR INSULATION RETAINER (VDSC30)	1	EA	
10	A2005669	DOOR GLASS BRACE	1	EA	Not available online / Call for pricing and availability
11	A2002499	HINGE POCKET COVER LH	1	EA	
12	A2002498	HINGE POCKET COVER RH	1	EA	
13	A2002189	DOOR GLASS STANDOFF (VDSC)	1	EA	
14	A2002497	DOOR GUIDE ANGLE VDSC	1	EA	
15	A2002367	DOOR GLASS BRKT	1	EA	
16	E9102179	WINDOW LINER-SIDE (VDSC)	1	EA	
17	E9102178	WINDOW LINER-TOP/BTM (VDSC)	1	EA	
18	000594-000	BLACK FIBERGLASS ROPE 3/8	1	EA	
19	G9102745	DR PG ASSY VDSC30/48" RE H9102175 (Before 12/20/2012)	1	EA	
NI	000623-000	DOOR GASKET(3/8"DIA.) (VDSC)	1	EA	
NI	PB070076	WOOL INSULATION 1" X 21" X 3'	1	EA	
NI	G3202549AL	DOOR SUB-ASSY- RH *AL* (VDSC48)	1	EA	NO LONGER AVAILABLE, Not available online / Call for pricing and availability



Item	Part No.	Name	Qty	Uom	NOTES
Not Shown	G3202549ALBR	DOOR SUB-ASSY- RH *AL**BR* (VDSC48)	1	EA	NO LONGER AVAILABLE, Not available online / Call for pricing and availability
Not Shown	G3202549BK	DOOR SUB-ASSY- RH *BK* (VDSC48)	1	EA	Not available online / Call for pricing and availability
Not Shown	G3202549BKBR	DOOR SUB-ASSY- RH *BK**BR* (VDSC48)	1	EA	NO LONGER AVAILABLE
Not Shown	G3202549BT	DOOR SUB-ASSY-RH *BT* (VDSC48)	1	EA	NO LONGER AVAILABLE, Not available online / Call for pricing and availability
Not Shown	G3202549BTBR	COMPLETE DOOR ASSEMBLY - BTBR	1	EA	Not available online / Call for pricing and availability
Not Shown	G3202549BU	DOOR SUB-ASSY- RH *BU* (VDSC48)	1	EA	NO LONGER AVAILABLE
Not Shown	G3202549BUBR	DOOR SUB-ASSY- RH *BU**BR* (VDSC48)	1	EA	NO LONGER AVAILABLE, Not available online / Call for pricing and availability
Not Shown	G3202549CB	DOOR SUB-ASSY-RH *CB* (VDSC48)	1	EA	NO LONGER AVAILABLE, Not available online / Call for pricing and availability
Not Shown	G3202549CBBR	COMPLETE DOOR ASSEMBLY - CBBR	1	EA	Not available online / Call for pricing and availability
Not Shown	G3202549EP	DOOR SUB-ASSY- RH *EP* (VDSC48)	1	EA	NO LONGER AVAILABLE, Not available online / Call for pricing and availability
Not Shown	G3202549EPBR	COMPLETE DOOR ASSEMBLY - EPBR	1	EA	Not available online / Call for pricing and availability
Not Shown	G3202549FG	DOOR SUB-ASSY- RH *FG* (VDSC48)	1	EA	NO LONGER AVAILABLE, Not available online / Call for pricing and availability



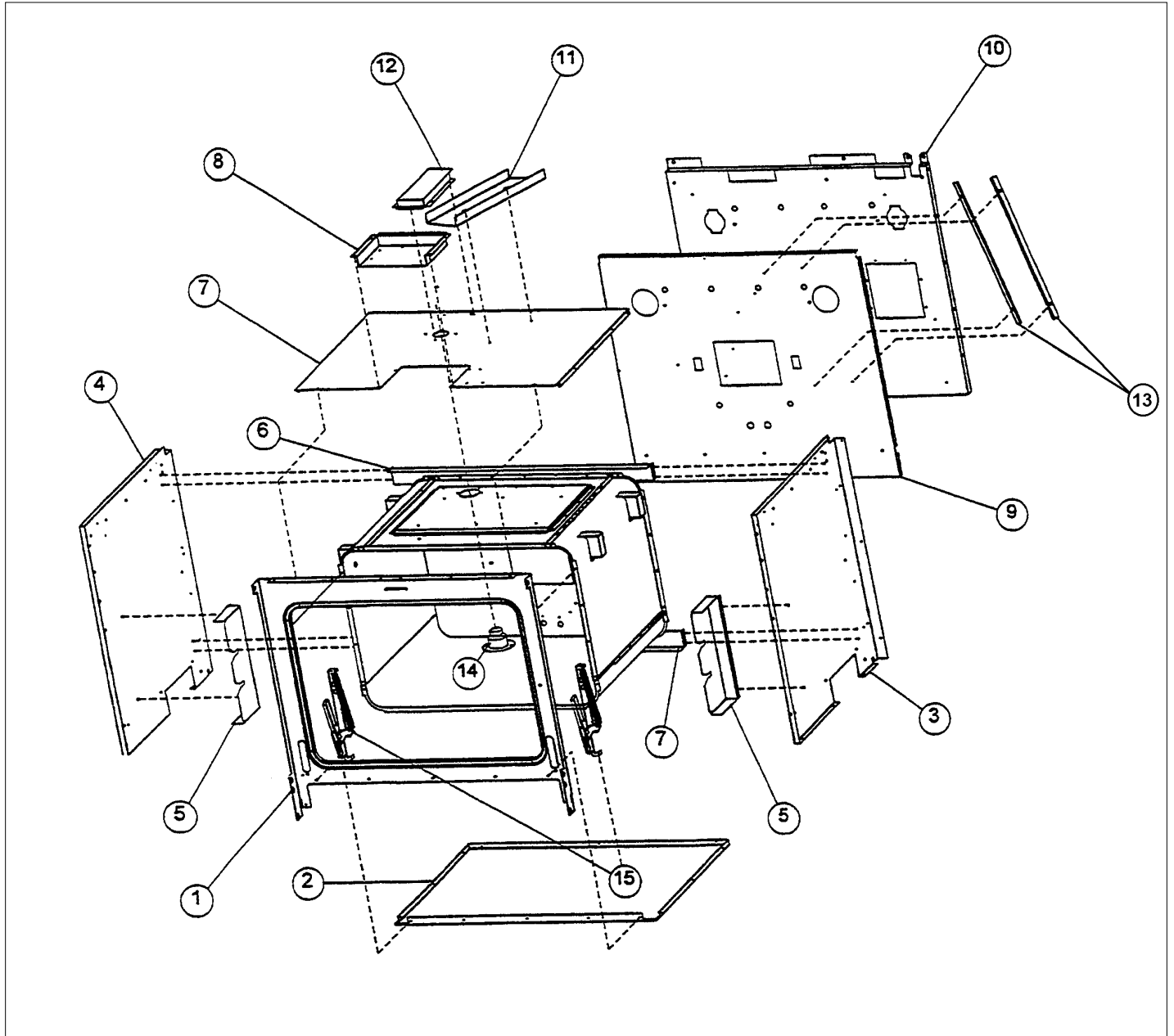
Item	Part No.	Name	Qty	Uom	NOTES
Not Shown	G3202549FGBR	DOOR SUB-ASSY- RH *FG**BR* (VDSC48)	1	EA	NO LONGER AVAILABLE, Not available online / Call for pricing and availability
Not Shown	G3202549GG	DOOR SUB-ASSY-RH *GG* (VDSC48)	1	EA	NO LONGER AVAILABLE, Not available online / Call for pricing and availability
Not Shown	G3202549GGBR	DOOR SUB-ASSY- RH *GG*BR* (VDSC48)	1	EA	NO LONGER AVAILABLE, Not available online / Call for pricing and availability
Not Shown	G3202549LE	DOOR SUB-ASSY-RH *LE* (VDSC48)	1	EA	NO LONGER AVAILABLE, Not available online / Call for pricing and availability
Not Shown	G3202549LEBR	COMPLETE DOOR ASSEMBLY - LEBR	1	EA	Not available online / Call for pricing and availability
Not Shown	G3202549MJ	DOOR SUB-ASSY-RH *MJ* (VDSC48)	1	EA	NO LONGER AVAILABLE, Not available online / Call for pricing and availability
Not Shown	G3202549MJBR	COMPLETE DOOR ASSEMBLY - MJBR	1	EA	Not available online / Call for pricing and availability
Not Shown	G3202549SG	DOOR SUB-ASSY- RH *SG* (VDSC48)	1	EA	NO LONGER AVAILABLE
Not Shown	G3202549SGBR	COMPLETE DOOR ASSEMBLY - SGBR	1	EA	Not available online / Call for pricing and availability
Not Shown	G3202549SS	DOOR SUB-ASSY- RH *SS* (VDSC48)	1	EA	
Not Shown	G3202549SSBR	DOOR SUB-ASSY- RH *SS**BR* (VDSC48)	1	EA	NO LONGER AVAILABLE, Not available online / Call for pricing and availability
Not Shown	G3202549VB	DOOR SUB-ASSY- RH *VB* (VDSC48)	1	EA	NO LONGER AVAILABLE, Not available online / Call for pricing and availability





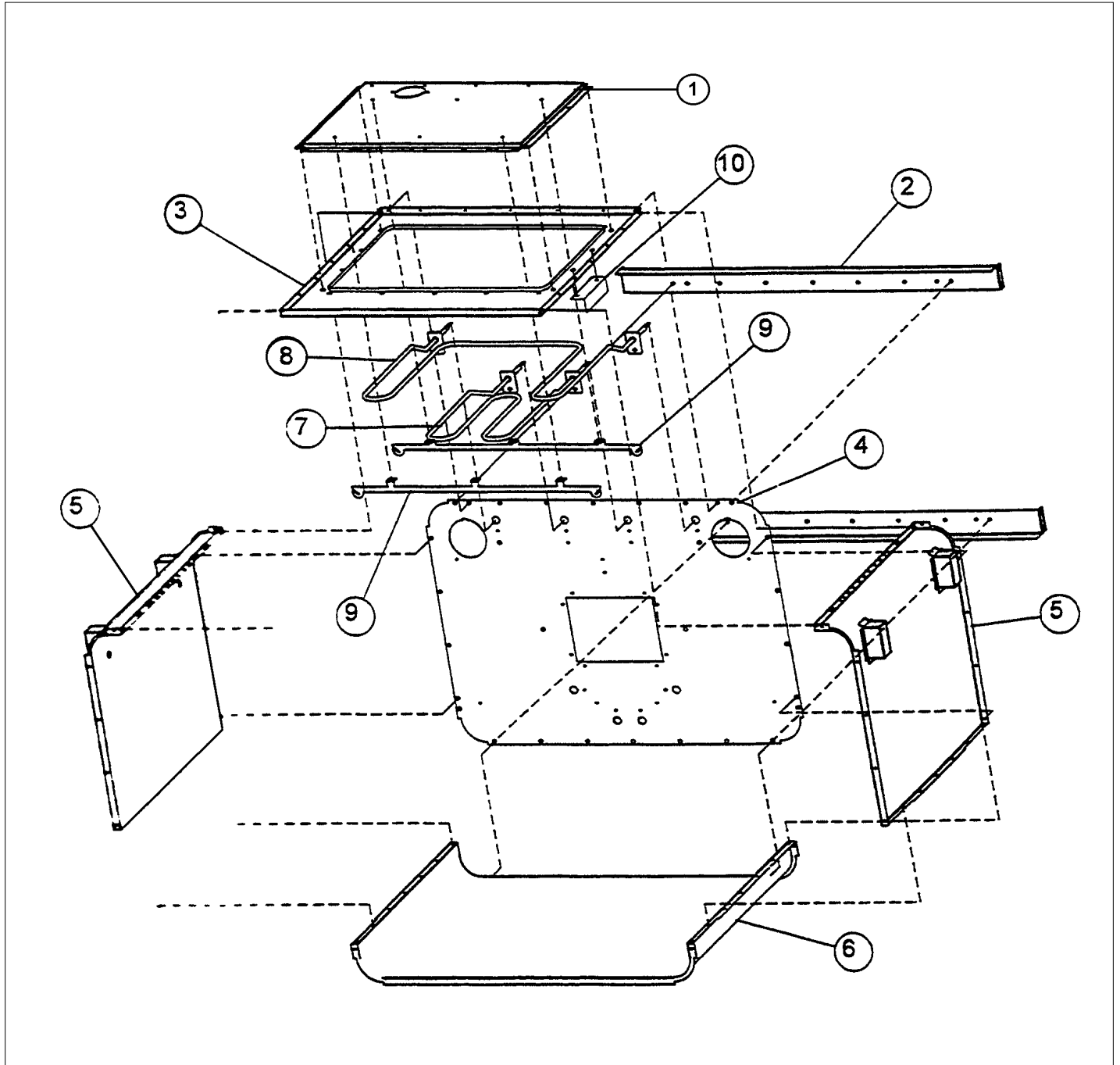
Item	Part No.	Name	Qty	Uom	NOTES
Not Shown	G3202549VBRR	DOOR SUB-ASSY- RH *VB**BR* (VDSC48)	1	EA	NO LONGER AVAILABLE, Not available online / Call for pricing and availability
Not Shown	G3202549WH	DOOR SUB-ASSY- RH *WH* (VDSC48)	1	EA	NO LONGER AVAILABLE, Not available online / Call for pricing and availability
Not Shown	G3202549WHBR	DOOR SUB-ASSY- RH *WH**BR* (VDSC48)	1	EA	NO LONGER AVAILABLE, Not available online / Call for pricing and availability

RH OVEN CAV INS RETAINER



Item	Part No.	Name	Qty	Uom	NOTES
1	G9102521	FRONT FRAME ASSY RH (VDSC48)	1	EA	
2	A2002157	OVEN BTM INSUL.RETAINER (VDSC)	1	EA	NO LONGER AVAILABLE, Not available online / Call for pricing and availability
3	A2002546	SIDE INSULATION RETAINER RH VDSC	1	EA	NO LONGER AVAILABLE, Not available online / Call for pricing and availability
4	A2002524	CENTER INSUL RETAINER RH (VDSC4	1	EA	NO LONGER AVAILABLE, Not available online / Call for pricing and availability
5	A2002183	HINGE INSULATION COVER (VDSC)	1	EA	
6	A2002158	REAR OVEN SUPT (VDSC)	1	EA	NO LONGER AVAILABLE, Not available online / Call for pricing and availability
7	A2002160	OVEN TOP INSUL.RETAINER (VDSC)	1	EA	NO LONGER AVAILABLE, Not available online / Call for pricing and availability
8	A2002168	DOOR LATCH BRKT (VDSC)	1	EA	
9	A2002476	OVEN BACK INSULATION RETAINER (VDSC	1	EA	NO LONGER AVAILABLE, Not available online / Call for pricing and availability
10	A2002534	O/S BACK PANEL (VDSC48)	1	EA	NO LONGER AVAILABLE
11	A2002450	LATCH COOLING DUCT (VDSC)	1	EA	NO LONGER AVAILABLE, Not available online / Call for pricing and availability
12	A2002479	SMOKE ELIMINATOR VENT (VDSC)	1	EA	
13	A2002477	AIR WASH ANGLE (VDSC)	1	EA	NO LONGER AVAILABLE, Not available online / Call for pricing and availability
14	PM010014	SMOKE ELIMINATOR (VDSC)	1	EA	
15	PC020009	HINGE ASSY (BROWN)	1	EA	

RH OVEN CAVITY ASSEMBLY





Item	Part No.	Name	Qty	Uom	NOTES
1	B2002167	BROILER TOP (VDSC)	1	EA	NO LONGER AVAILABLE
2	A2002158	REAR OVEN SUPT (VDSC)	1	EA	NO LONGER AVAILABLE, Not available online / Call for pricing and availability
3	G9102737	OVEN TOP ASSY (VDSC30)	1	EA	NO LONGER AVAILABLE, Not available online / Call for pricing and availability
4	E9102741	OVEN BACK (VDSC30)	1	EA	NO LONGER AVAILABLE, Not available online / Call for pricing and availability
5	G9102736	OVEN SIDE ASSY (VDSC)	1	EA	NO LONGER AVAILABLE, Not available online / Call for pricing and availability
6	E9102152	OVEN BTM (VDSC)	1	EA	NO LONGER AVAILABLE
7	PJ010001	BROIL ELEMENT 240V	1	EA	
8	PJ010002	BROIL ELEMENT(MAXI)-SIDE (VDSC)240V	1	EA	
9	B2002185	BROIL ELEMENT BRKT (VDSC)	1	EA	
NI	PD020003	#10 X 1/2 T(A) HEX WASHER HEAD	1	EA	
NI	PD020048	NO.10 X 1/2 TEK 410 SS SCREW	1	EA	
10	B2002489	THERMAL BULB SHIELD (VDSC)	1	EA	



Appendix A:Pages Index

12 INCH GRIDDLE ASSY 1
12 INCH GRILL ASSY 2
24 INCH GRIDDLE ASSY 3
24 INCH GRILL ASSY 4
BURNER BOX 5
EXTERIOR ASSY - VIEW 2 6
LH DOOR 7
LH OVEN CAV. INS. RETAINER 8
LH OVEN CAVITY 9
OVEN CAVITY TOP AND BTM 10
REAR PANEL ASSY 11
RH DOOR 12
RH OVEN CAV INS RETAINER 13
RH OVEN CAVITY ASSEMBLY 14



Appendix B:Parts Index

000268-000	7, 12	A2002193	11
000594-000	7, 12	A2002195	11
000623-000	7, 12	A2002367	12
002569-000	1, 3, 5	A2002450	8, 13
003208-000	1	A2002451	6
003227-000	3	A2002475	10
003517-000	4, 5	A2002476	13
013386-000	5	A2002477	8, 13
019503-000	5	A2002479	13
031449-000	10	A2002482	10
050172-000	3, 4, 5	A2002497	12
A10010162	2	A2002498	7, 12
A1001636	2	A2002499	7, 12
A1002456	10, 11	A2002500	10
A1002457	11	A2002501	10
A1002596	10	A2002517	8, 9
A1007861	1, 3	A2002522	8
A2000210	11	A2002523	8
A20010184	5	A2002524	13
A20010636	5	A2002525	8
A20010637	5	A2002527	8
A20010646	3	A2002534	13
A20010657	1, 3	A2002536	8
A20011234	5	A2002537	11
A20011240	5	A2002539	5
A2001132	2	A2002544	5
A2001300	1, 3	A2002545	5
A2001631	2	A2002546	13
A2001633	2	A2002547	8
A2001746	11	A2002579	11
A2001855	2	A2002595	10
A2001863	2	A2002801	11
A2002157	13	A2005669	12
A2002158	13, 14	A2007827	11
A2002160	13	A2007862	1, 3
A2002168	5, 8, 13	A2007863	2
A2002169	12	A2007866	3
A2002180	11	A2007867	1, 3
A2002183	8, 13	A2007871	2
A2002189	7, 12	A2008467	11
		A2008481	4



A2009544	4	C9002504CB	7
A2009580	1, 3	C9002504EP	7
A2009781	4	C9002504FG	7
B20010163	2	C9002504GG	7
B2001241	5	C9002504LE	7
B2002167	14	C9002504MJ	7
B2002185	14	C9002504SG	7
B2002489	14	C9002504VB	7
B2002504	7	C9002504WH	7
B2002514	9	C9002528AL	12
B2002515	9	C9002528BK	12
B2002528	12	C9002528BT	12
B2002535	5	C9002528BU	12
B2007868	5	C9002528CB	12
B2007869	6	C9002528EP	12
B2007870	6	C9002528FG	12
B2008483	4	C9002528GG	12
B2008484	4	C9002528LE	12
B2009846	2	C9002528MJ	12
B2009866	2	C9002528SG	12
B92011236	3, 5	C9002528VB	12
B92011237	5	C9002528WH	12
B92011238	5	C9002535AL	5
B92011239	5	C9002535BK	5
C9001241AL	5	C9002535BT	5
C9001241BK	5	C9002535BU	5
C9001241BT	5	C9002535CB	5
C9001241BU	5	C9002535EP	5
C9001241CB	5	C9002535FG	5
C9001241EP	5	C9002535GG	5
C9001241FG	5	C9002535LE	5
C9001241GG	5	C9002535MJ	5
C9001241LE	5	C9002535SG	5
C9001241MJ	5	C9002535VB	5
C9001241SG	5	C9002535WH	5
C9001241VB	5	C9007869AL	6
C9001241WH	5	C9007869BK	6
C9002504AL	7	C9007869BT	6
C9002504BK	7	C9007869BU	6
C9002504BT	7	C9007869CB	6
C9002504BU	7	C9007869EP	6



C9007869FG	6	E9109801MJ	5
C9007869GG	6	E9109801SG	5
C9007869LE	6	E9109801VB	5
C9007869MJ	6	E9109801WH	5
C9007869SG	6	E9109803AL	5
C9007869VB	6	E9109803BK	5
C9007869WH	6	E9109803BT	5
C9007870AL	6	E9109803CB	5
C9007870BK	6	E9109803EP	5
C9007870BT	6	E9109803FG	5
C9007870BU	6	E9109803GG	5
C9007870CB	6	E9109803LE	5
C9007870EP	6	E9109803MJ	5
C9007870FG	6	E9109803SG	5
C9007870GG	6	E9109803VB	5
C9007870LE	6	E9109803WH	5
C9007870MJ	6	E9109804AL	5
C9007870SG	6	E9109804BK	5
C9007870VB	6	E9109804BT	5
C9007870WH	6	E9109804CB	5
C9307868BR	5	E9109804EP	5
E9101130BK	2, 4	E9109804FG	5
E9102152	14	E9109804GG	5
E9102170	6	E9109804LE	5
E9102178	12	E9109804MJ	5
E9102179	12	E9109804SG	5
E9102464	9	E9109804VB	5
E9102513	9	E9109804WH	5
E9102516	9	G30010697	5
E9102668	7	G3009715	5
E9102741	14	G3009843	5
E9102822	7	G3202509AL	7
E9108202	7	G3202509ALBR	7
E9109801AL	5	G3202509BK	7
E9109801BK	5	G3202509BKBR	7
E9109801BT	5	G3202509BT	7
E9109801CB	5	G3202509BTBR	7
E9109801EP	5	G3202509BU	7
E9109801FG	5	G3202509BUBR	7
E9109801GG	5	G3202509CB	7
E9109801LE	5	G3202509CBBR	7



G3202509EP	7	G3202549SSBR	12
G3202509EPBR	7	G3202549VB	12
G3202509FG	7	G3202549VBBR	12
G3202509FGBR	7	G3202549WH	12
G3202509GG	7	G3202549WHBR	12
G3202509GGBR	7	G50012679	5
G3202509LE	7	G50012686	4
G3202509LEBR	7	G50013878	5
G3202509MJ	7	G50013885	5
G3202509MJBR	7	G50013886	5
G3202509SG	7	G50013887	5
G3202509SGBR	7	G50013888	5
G3202509SS	7	G5007606	11
G3202509SSBR	7	G91010148AL	4
G3202509VB	7	G91010148BK	4
G3202509VBBR	7	G91010148BT	4
G3202509WH	7	G91010148CB	4
G3202509WHBR	7	G91010148EP	4
G3202549AL	12	G91010148FG	4
G3202549ALBR	12	G91010148GG	4
G3202549BK	12	G91010148LE	4
G3202549BKBR	12	G91010148MJ	4
G3202549BT	12	G91010148SG	4
G3202549BTBR	12	G91010148VB	4
G3202549BU	12	G91010148WH	4
G3202549BUBR	12	G9102518	8
G3202549CB	12	G9102521	13
G3202549CBBR	12	G9102736	9, 14
G3202549EP	12	G9102737	14
G3202549EPBR	12	G9102745	12
G3202549FG	12	G9102747	12
G3202549FGBR	12	G9109811	2
G3202549GG	12	G9109811AL	2
G3202549GGBR	12	G9109811BT	2
G3202549LE	12	G9109811CB	2
G3202549LEBR	12	G9109811EP	2
G3202549MJ	12	G9109811FG	2
G3202549MJBR	12	G9109811GG	2
G3202549SG	12	G9109811LE	2
G3202549SGBR	12	G9109811MJ	2
G3202549SS	12	G9109811SG	2



G9109811VB	2	PB020193	5
G9109811WH	2	PB040001	1, 3
G93011461PVD	5	PB040160	4
H9102502	7	PB040190	4
H9102507	7	PB050063	5
J1002506	7	PB050074	1, 3
J1002594	12	PB050077	2, 4
J1004499	7	PB050081	5, 5, 5
J2002593	6	PB070076	7, 12
PA010030	5	PC020003	8
PA010039	4, 5	PC020009	13
PA010040	4, 5	PC030007	10
PA020015	5	PC030017	10
PA020028	2	PD010006	10
PA020037	5	PD020002	4
PA020047	5	PD020003	9, 10, 14
PA020048	5, 5, 5	PD020033	3
PA060054	5	PD020048	9, 14
PA060058	2, 2	PD030005	6
PA060062	5	PD030029	10
PA060080	4	PD030033	11
PA060081	4	PD040005	6
PA070003	5	PE010030	7
PA080075	5	PE010031	7
PA080083	5	PE010068	7
PA080086	5	PE010076	7
PB010004	1, 3	PE030001PVD	7, 12
PB010103	3, 5	PE030005	12
PB010104	3, 5	PE030008	7
PB010129	5	PE030012PVD	12
PB010130	5	PE030014PVD	7
PB010132	5	PE050005	10
PB010206	5	PE050016	5
PB010207	5	PE050017	5
PB010209	3, 4, 5	PE050023	5
PB010230	5	PE050024	5
PB010264	1, 3, 5	PE050026	11
PB020025	2, 4	PE050035	10
PB020116	5	PE050053	5, 10
PB020127	5	PE060030	12
PB020192	5	PE060031	12



PE060032 7
PE060045 12
PE060046 7
PE060048 7
PE060049 7
PE060064 12
PE070147 11
PE070148 11
PE070308 11
PE070321 11
PE070458 5, 5, 5
PE070566 5
PJ010001 9, 14
PJ010002 14
PJ010003 6
PJ010004 6
PJ010005 6
PJ010007 6
PJ030001 5
PJ030002 11
PJ030003 5
PJ030005 10
PJ030006 10
PJ030009 5
PK000009 5
PK000010 5
PM010014 8, 13
PM010025 11
PM010129 6
PS500032 5