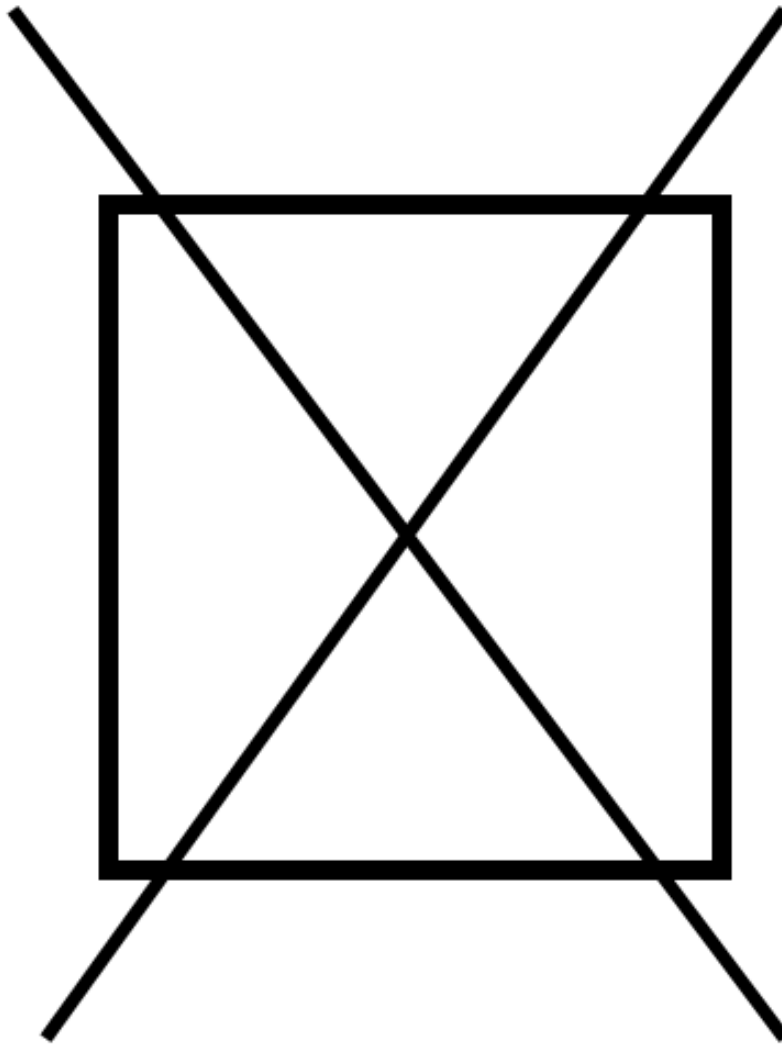


VDSC367

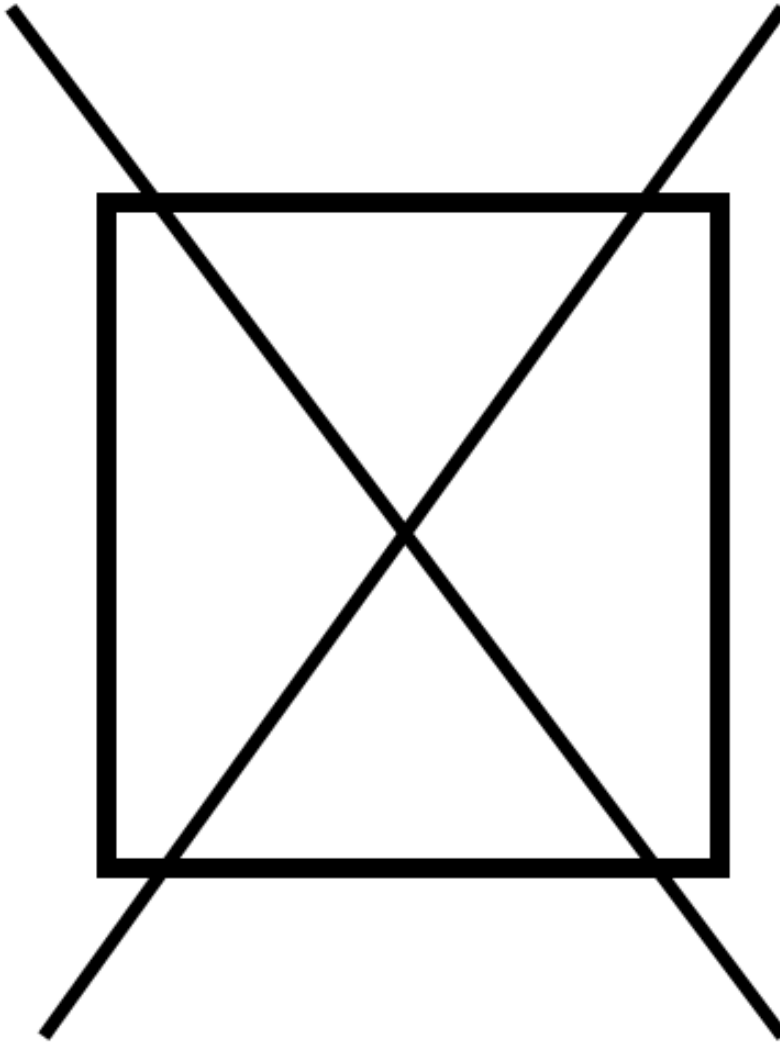
4G WIRING	1
4Q WIRING	2
6B WIRING	3
BURNER BOX ASSY	4
DOOR ASSY	5
EXTERIOR ASSY	6
GRIDDLE ASSY	7
GRILL ASSY	8
OUTER OVEN CAVITY TOP - BTM	9
OVEN CAV INSTLN RTNR ASSY	10
OVEN CAVITY ASSY	11
REAR PANEL ASSY	12
Appendix A:Pages Index	A
Appendix B:Parts Index	B

NON
ILLUSTRATED PART



Item	Part No.	Name	Qty	Uom	NOTES
NI	PE070183	HARNESS-12 CIRCUIT	1	EA	
NI	PE070143	WIRE HARNESS-9/2 CIRCUIT (VDSC)	1	EA	
NI	PE070145	WIRE HARNESS-6 CIRCUIT (VDSC)	1	EA	
NI	G4000936	GROUND WIRE	1	EA	
NI	G4001656	SPARK MODULE GROUND WIRE	3	EA	
NI	G40011254	IGNITER WIRE ASSY 26"	1	EA	NO LONGER AVAILABLE, Not available online / Call for pricing and availability
NI	PE070715	SPARK MODULE-TOP BRNR SPARKER (16)	1	EA	
NI	PE070452	SEALED P.H.B. HARNESS	1	EA	
NI	PE070458	6 POINTS SPARK MODULE HARNESS ASSY	1	EA	
NI	PE070455	HARNESS 367-4Q	1	EA	NO LONGER AVAILABLE, Not available online / Call for pricing and availability
NI	G40011256	SPARK IGNITER WIRE - 33"	1	EA	
NI	G4009709	JUMPER WIRE	1	EA	NO LONGER AVAILABLE, Not available online / Call for pricing and availability
NI	G4009710	JUMPER WIRE (1 INTO 2)	1	EA	
NI	G4002752	DRIP TRAY GROUND WIRE (VDSC)	1	EA	
NI	PE070719	IGNITOR WIRE KIT - VDSC3674Q	1	EA	

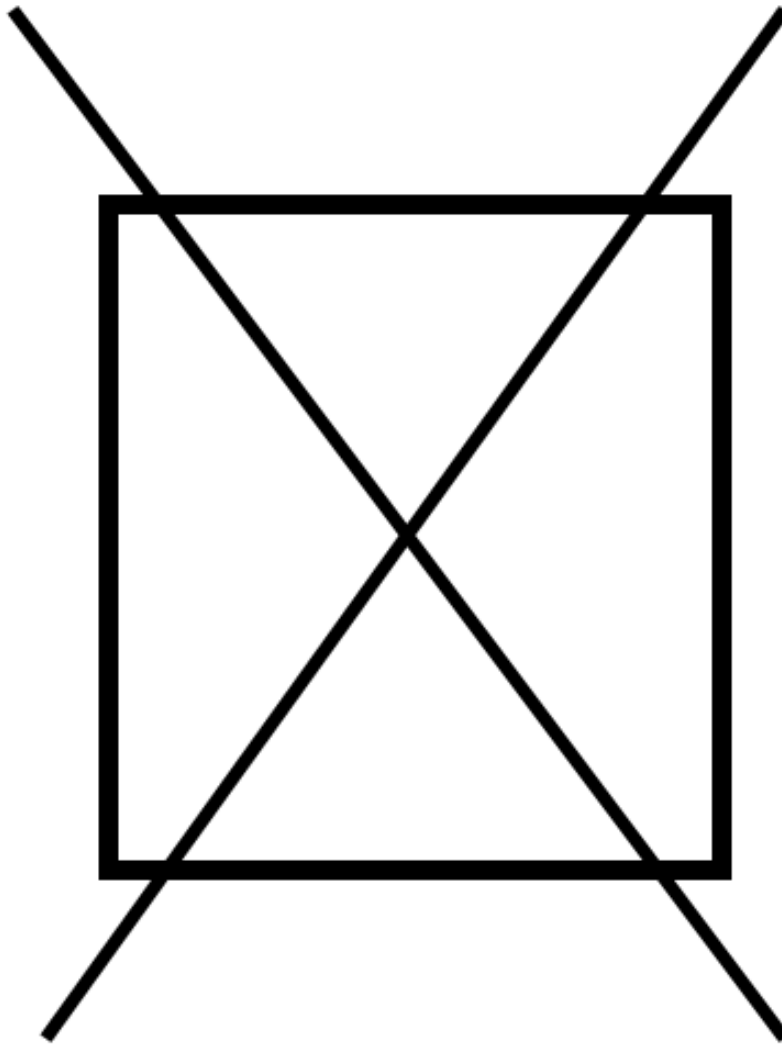
NON
ILLUSTRATED PART





Item	Part No.	Name	Qty	Uom	NOTES
NI	PE070183	HARNESS-12 CIRCUIT	1	EA	
NI	PE070143	WIRE HARNESS-9/2 CIRCUIT (VDSC)	1	EA	
NI	PE070145	WIRE HARNESS-6 CIRCUIT (VDSC)	1	EA	
NI	G4000936	GROUND WIRE	1	EA	
NI	G4001656	SPARK MODULE GROUND WIRE	3	EA	
NI	PE070715	SPARK MODULE-TOP BRNR SPARKER (16)	1	EA	
NI	PE070452	SEALED P.H.B. HARNESS	1	EA	
NI	PE070458	6 POINTS SPARK MODULE HARNESS ASSY	1	EA	
NI	G40011256	SPARK IGNITER WIRE - 33"	1	EA	
NI	G4009709	JUMPER WIRE	1	EA	NO LONGER AVAILABLE, Not available online / Call for pricing and availability
NI	G4009710	JUMPER WIRE (1 INTO 2)	1	EA	
NI	G4002752	DRIP TRAY GROUND WIRE (VDSC)	1	EA	
NI	PE070719	IGNITOR WIRE KIT - VDSC3674Q	1	EA	

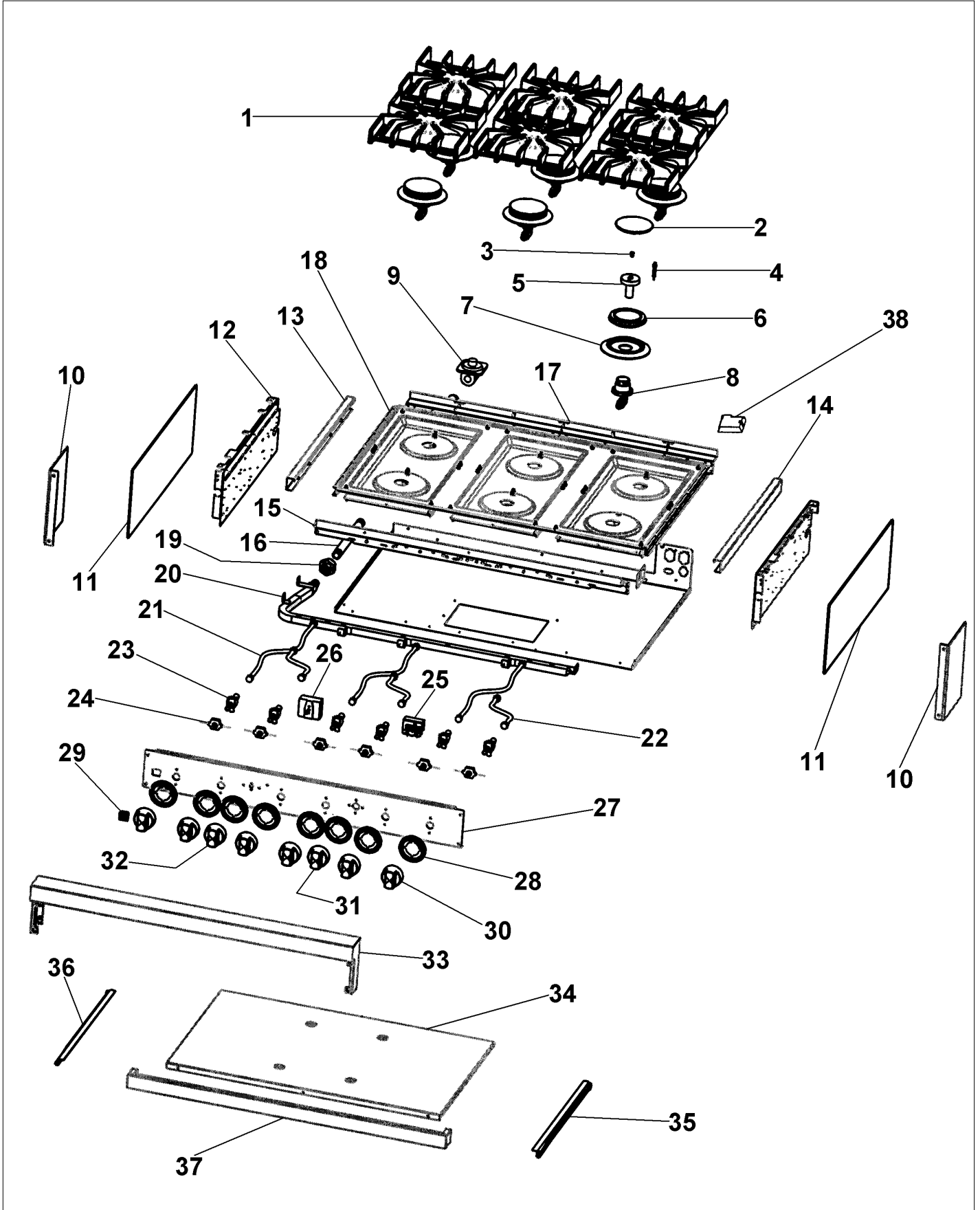
NON
ILLUSTRATED PART





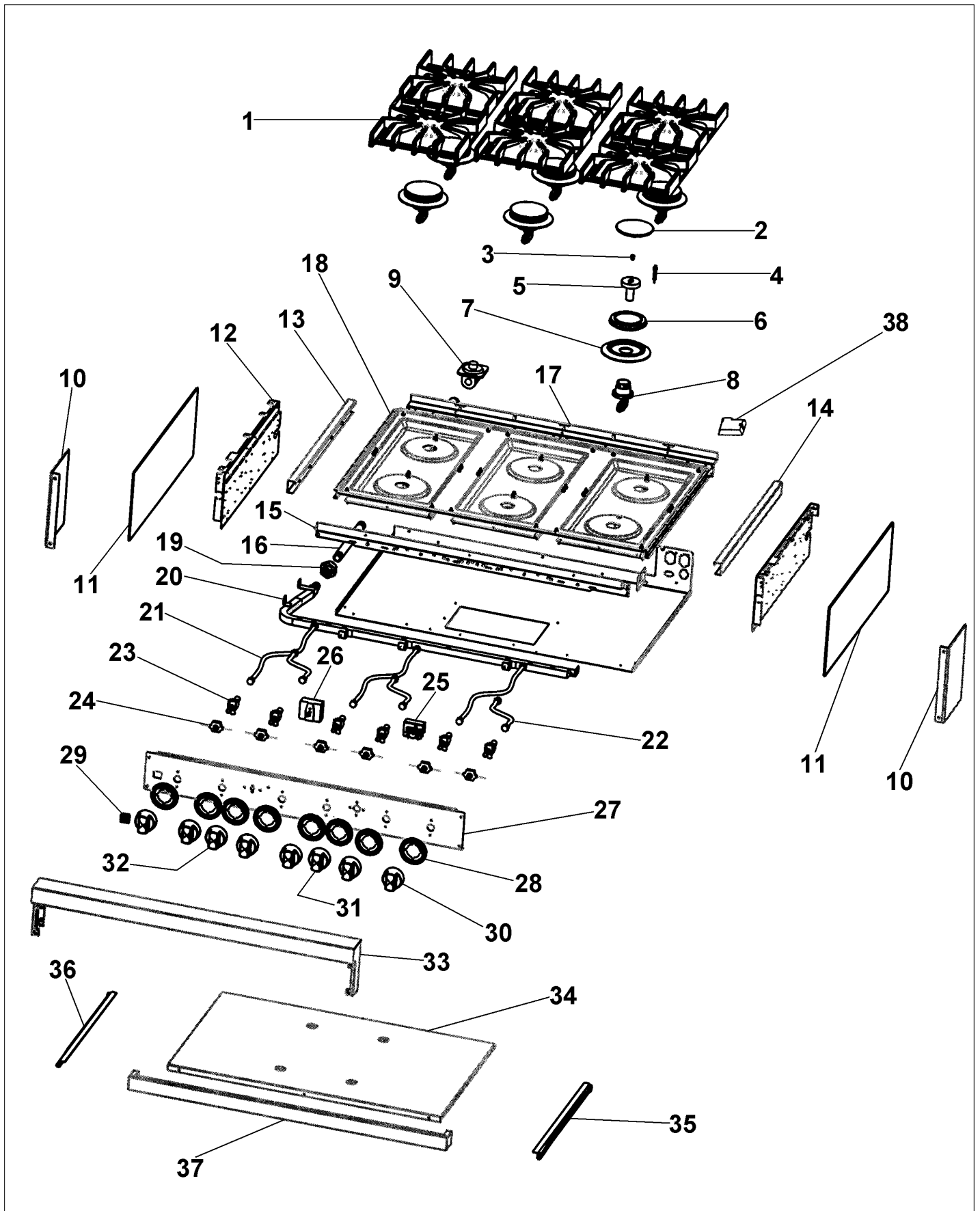
Item	Part No.	Name	Qty	Uom	NOTES
NI	PE070183	HARNESS-12 CIRCUIT	1	EA	
NI	PE070143	WIRE HARNESS-9/2 CIRCUIT (VDSC)	1	EA	
NI	PE070454	HARNESS 367-6B	1	EA	
NI	PE070452	SEALED P.H.B. HARNESS	1	EA	
NI	PE070145	WIRE HARNESS-6 CIRCUIT (VDSC)	1	EA	
NI	PE070458	6 POINTS SPARK MODULE HARNESS ASSY	1	EA	
NI	PE070714	IGNITER WIRE ASSEMBLY - 24''''	2	EA	
NI	G40011256	SPARK IGNITER WIRE - 33"	1	EA	
NI	G40011259	IGNITER WIRE - 13"	1	EA	
NI	PE070717	IGNITOR WIRE KIT - VDSC3676B	1	EA	

BURNER BOX ASSY



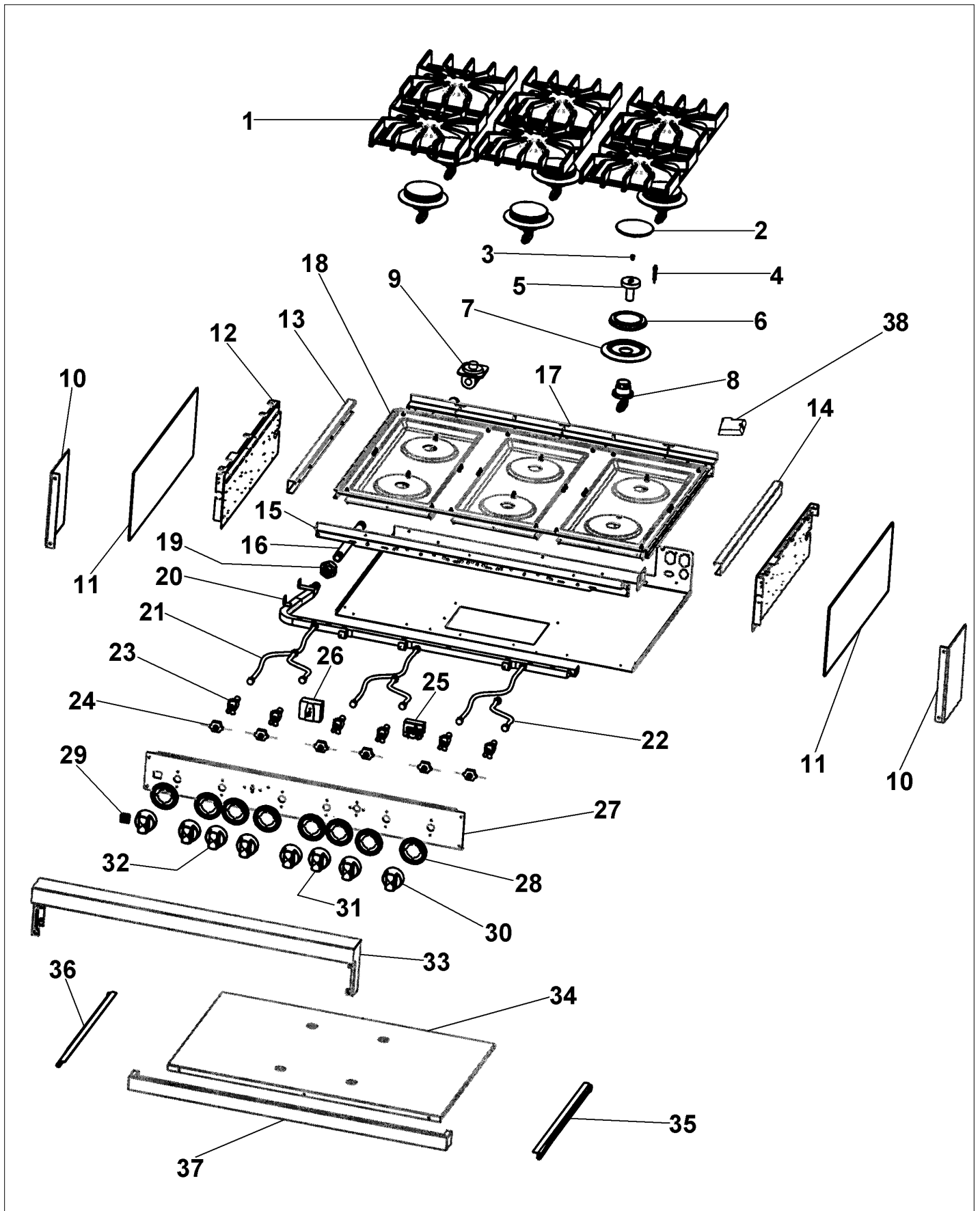


Item	Part No.	Name	Qty	Uom	NOTES
1	PA060054	Burner Grate - BK		EA	
Not Shown	PA060062	Burner Grate - GR		EA	
2	PA080083	D BURNER CAP *MATTE BLACK*		EA	
Not Shown	PA080086	Burner Cap - GR		EA	
3	PB040194	Orifice - Nat.		EA	
Not Shown	PB040217	L.P. ORIFICE		EA	
4	PB050081	BURNER BASE ASM		EA	
5	PA010100	Burner Venturi		EA	
6	PB050063	Burner Head		EA	
7	PB050081	BURNER BASE ASM		EA	
8	PA080075	Burner Body		EA	
9	PA070003	PRESSURE REGULATOR (NAT.)		EA	
10	J2002593	Oven Side Heat Sink		EA	Not available online / Call for pricing and availability
11	PB040170	BAKE IGNITION ELECTRODE		EA	
12	A2006748	Burner Box Side - LH		EA	
13	B2006724	SEALED TOPSIDE TRIM		EA	
Not Shown	NOTE	Before 9/25/03		EA	
13	C9306725BR	SEALED TOPSIDE TRIM LH BRASS		EA	NO LONGER AVAILABLE
Not Shown	NOTE	Before 9/25/03		EA	
13	B2007868	IC SEALED SIDE TRIM		EA	
Not Shown	NOTE	After 9/25/03		EA	
13	C9307868BR	IC SEALED SIDE TRIM *BR*		EA	
Not Shown	NOTE	After 9/25/03		EA	
14	B2006724	SEALED TOPSIDE TRIM		EA	
Not Shown	NOTE	Before 9/25/03		EA	

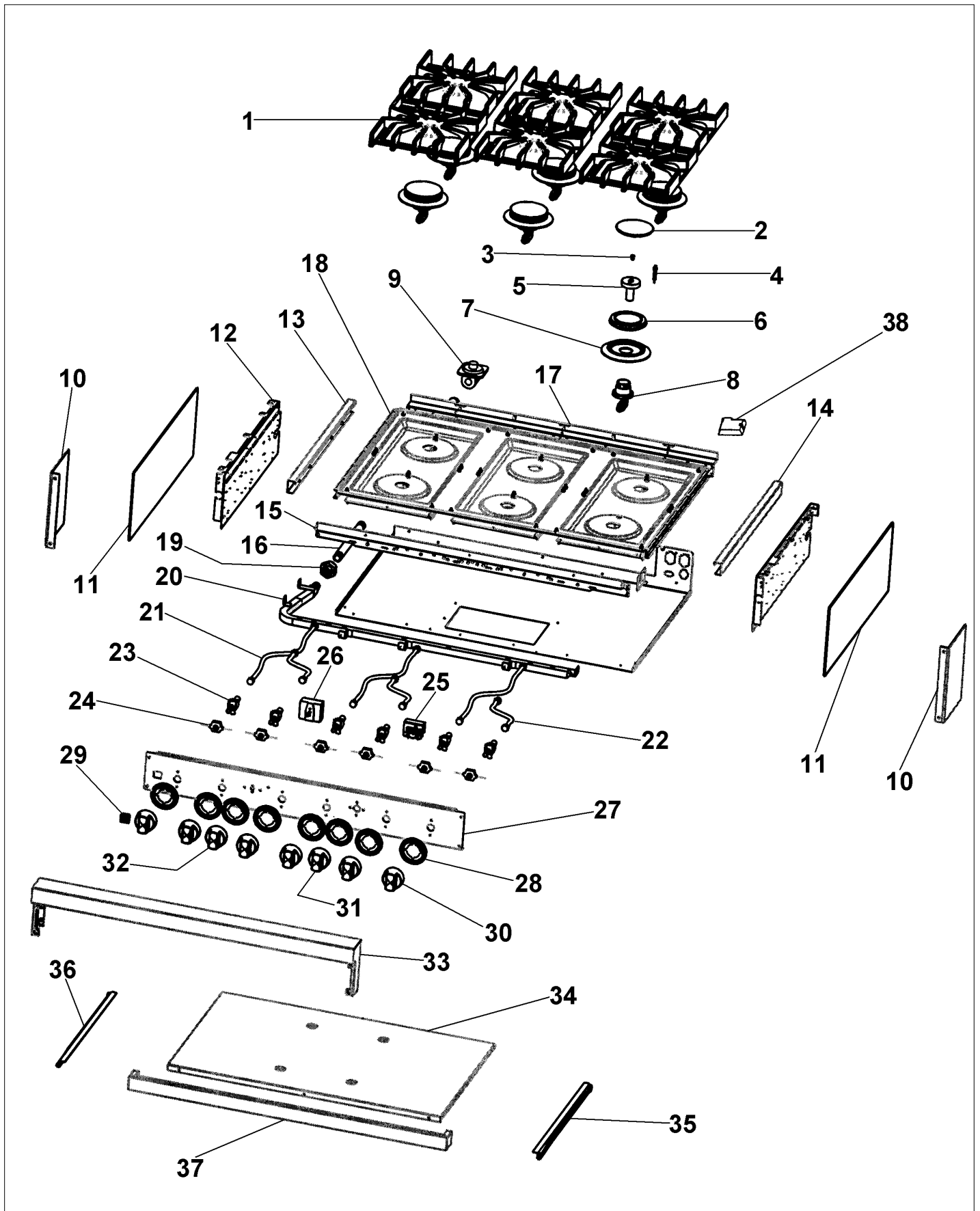




Item	Part No.	Name	Qty	Uom	NOTES
14	C9306725BR	SEALED TOPSIDE TRIM LH BRASS		EA	NO LONGER AVAILABLE
Not Shown	NOTE	Before 9/25/03		EA	
14	B2007868	IC SEALED SIDE TRIM		EA	
Not Shown	NOTE	After 9/25/03		EA	
14	C9307868BR	IC SEALED SIDE TRIM *BR*		EA	
Not Shown	NOTE	After 9/25/03		EA	
15	A2001105	FRONT SUPT (36")		EA	Not available online / Call for pricing and availability
16	PB020162	1/2" NPT STEEL PIPE-10 1/8"		EA	NO LONGER AVAILABLE
17	A2002382	REAR BURNER SUPT (VGSS36)		EA	
18	G3209546	Main Top Assy. (6B) - BK		EA	
Not Shown	NOTE	(Before 9/25/03)		EA	
18	G3209546AL	Main Top Assy. (6B) - AL		EA	Not available online / Call for pricing and availability
Not Shown	NOTE	(Before 9/25/03)		EA	
18	G3209546BT	Main Top Assy. (6B) - BT		EA	Not available online / Call for pricing and availability
Not Shown	NOTE	(Before 9/25/03)		EA	
18	G3209546CB	Main Top Assy. (6B) - CB		EA	Not available online / Call for pricing and availability
Not Shown	NOTE	(Before 9/25/03)		EA	
18	G3209546EP	Main Top Assy. (6B) - EP		EA	Not available online / Call for pricing and availability
Not Shown	NOTE	(Before 9/25/03)		EA	

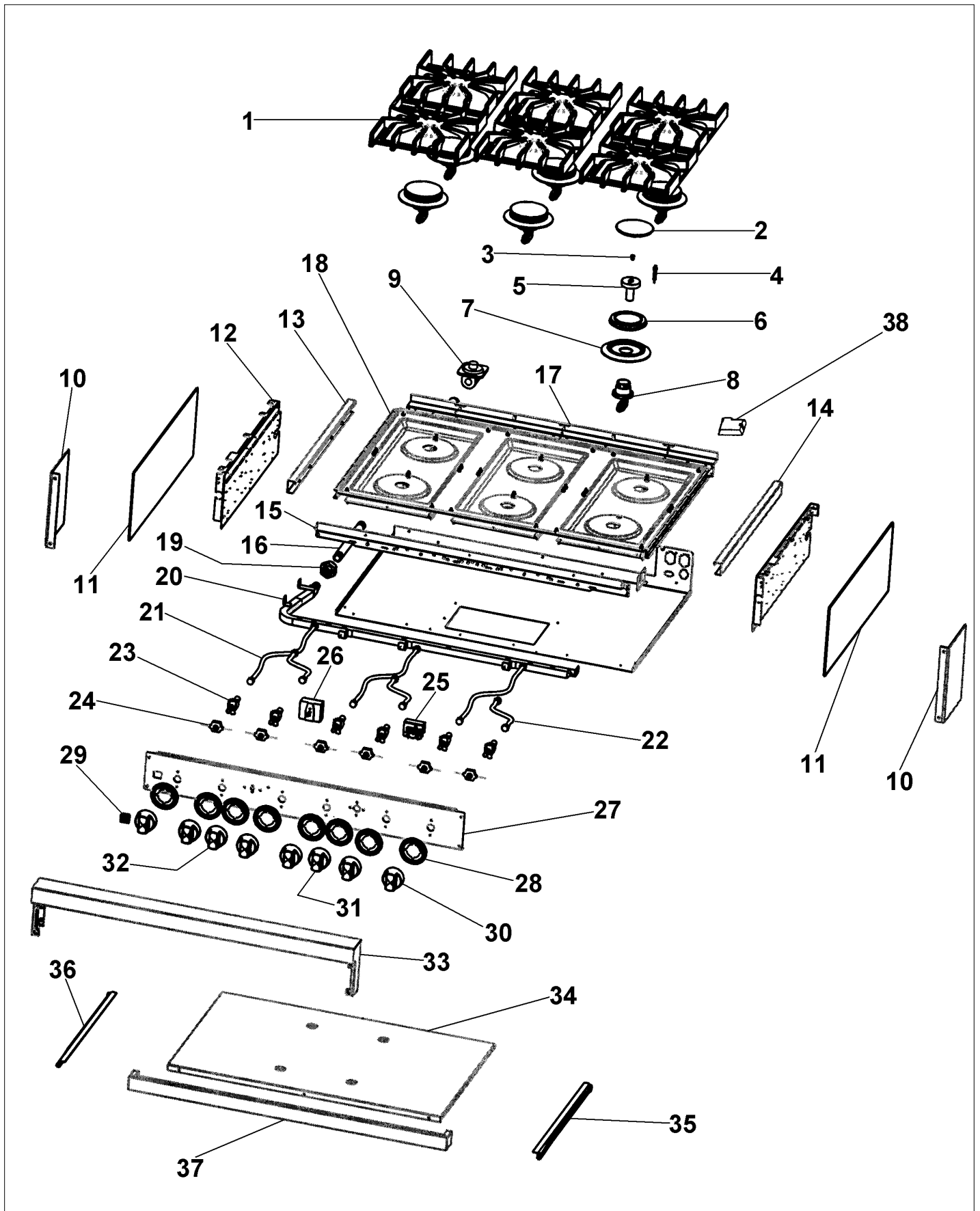


Item	Part No.	Name	Qty	Uom	NOTES
18	G3209546FG	Main Top Assy. (6B) - FG		EA	Not available online / Call for pricing and availability
Not Shown	NOTE	(Before 9/25/03)		EA	
18	G3209546GG	Main Top Assy. (6B) - GG		EA	Not available online / Call for pricing and availability
Not Shown	NOTE	(Before 9/25/03)		EA	
18	G3209546LE	Main Top Assy. (6B) - LE		EA	Not available online / Call for pricing and availability
Not Shown	NOTE	(Before 9/25/03)		EA	
18	G3209546MJ	Main Top Assy. (6B) - MJ		EA	Not available online / Call for pricing and availability
Not Shown	NOTE	(Before 9/25/03)		EA	
18	G3209546SG	Main Top Assy. (6B) - SG		EA	Not available online / Call for pricing and availability
Not Shown	NOTE	(Before 9/25/03)		EA	
18	G3209546VB	Main Top Assy. (6B) - VB		EA	Not available online / Call for pricing and availability
Not Shown	NOTE	(Before 9/25/03)		EA	
18	G3209546WH	Main Top Assy. (6B) - WH		EA	Not available online / Call for pricing and availability
Not Shown	NOTE	(Before 9/25/03)		EA	
18	E9108439AL	Main Top Assembly (6B) - AL		EA	Not available online / Call for pricing and availability
Not Shown	NOTE	(After 9/25/03)		EA	
18	E9108439BK	MAIN TOP (VGRT3626B) *BK*		EA	



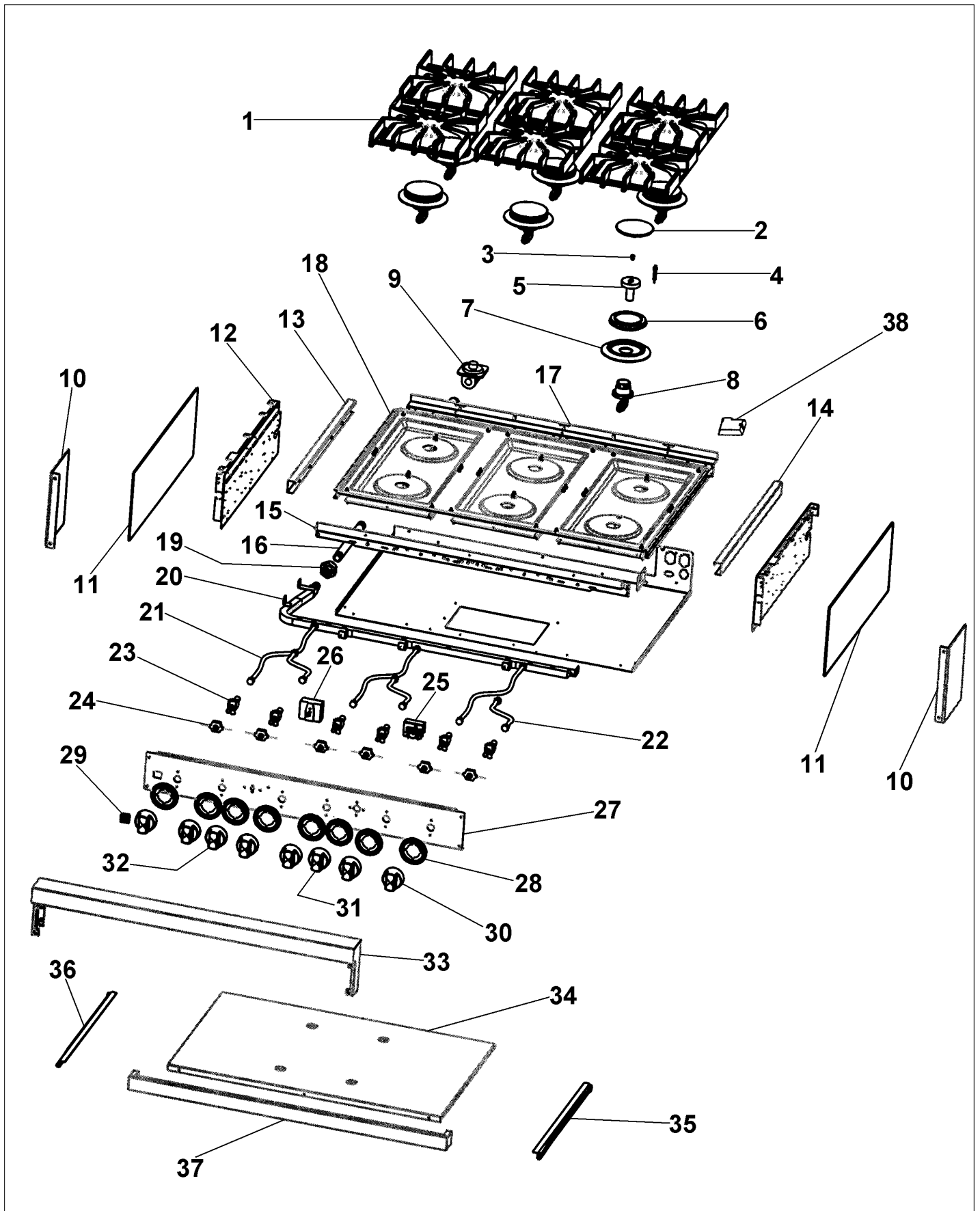


Item	Part No.	Name	Qty	Uom	NOTES
Not Shown	NOTE	(After 9/25/03)		EA	
18	E9108439BT	Main Top Assembly (6B) - BT		EA	Not available online / Call for pricing and availability
Not Shown	NOTE	(After 9/25/03)		EA	
18	E9108439CB	Main Top Assembly (6B) - CB		EA	Not available online / Call for pricing and availability
Not Shown	NOTE	(After 9/25/03)		EA	
18	E9108439EP	Main Top Assembly (6B) - EP		EA	Not available online / Call for pricing and availability
Not Shown	NOTE	(After 9/25/03)		EA	
18	E9108439FG	Main Top Assembly (6B) - FG		EA	Not available online / Call for pricing and availability
Not Shown	NOTE	(After 9/25/03)		EA	
18	E9108439GG	Main Top Assembly (6B) - GG		EA	
Not Shown	NOTE	(After 9/25/03)		EA	
18	E9108439LE	Main Top Assembly (6B) - LE		EA	Not available online / Call for pricing and availability
Not Shown	NOTE	(After 9/25/03)		EA	
18	E9108439MJ	Main Top Assembly (6B) - MJ		EA	Not available online / Call for pricing and availability
Not Shown	NOTE	(After 9/25/03)		EA	
18	E9108439SG	Main Top Assembly (6B) - SG		EA	Not available online / Call for pricing and availability
Not Shown	NOTE	(After 9/25/03)		EA	



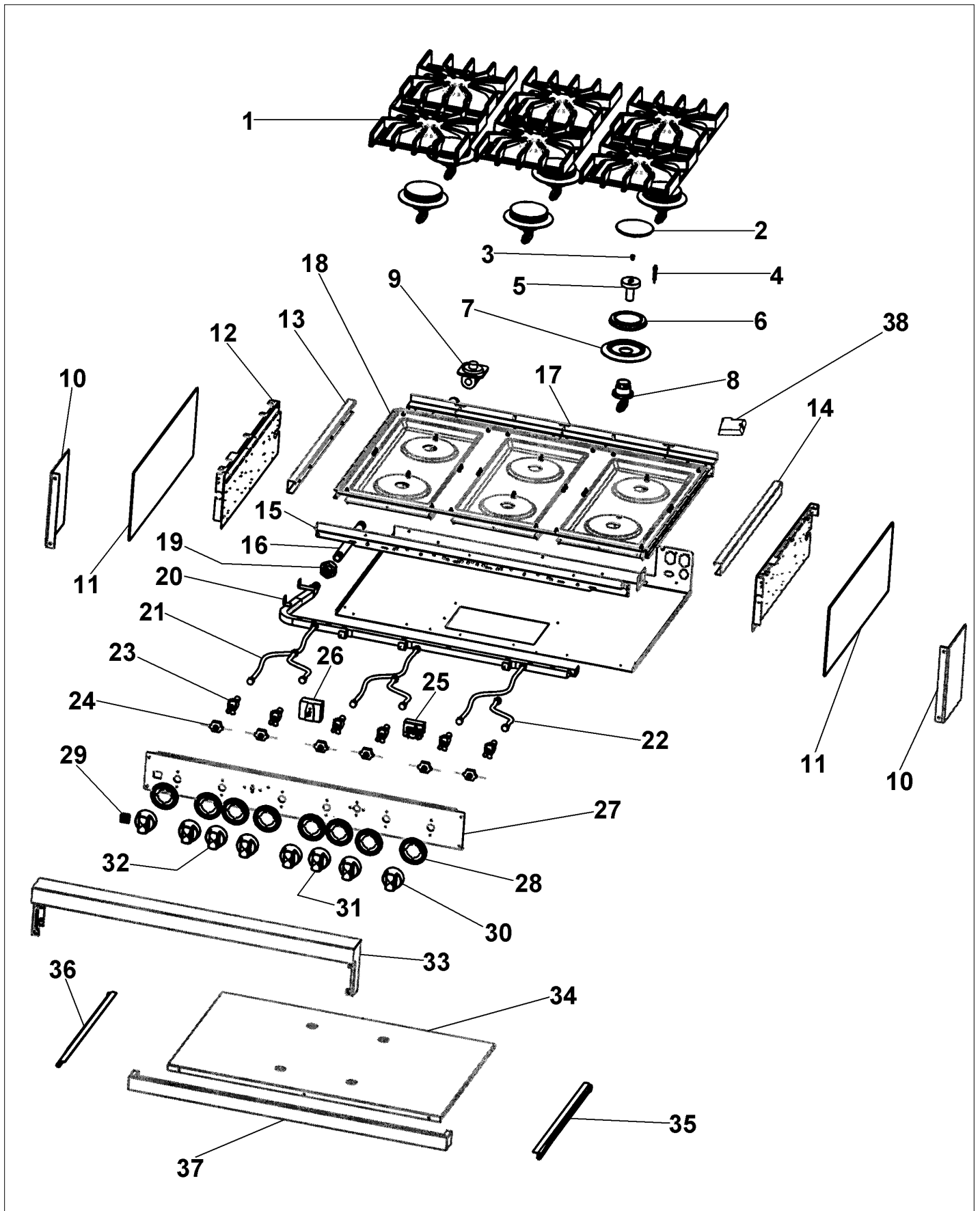


Item	Part No.	Name	Qty	Uom	NOTES
18	E9108439VB	Main Top Assembly (6B) - VB		EA	Not available online / Call for pricing and availability
Not Shown	NOTE	(After 9/25/03)		EA	
18	E9108439WH	Main Top Assembly (6B) - WH - NLA		EA	
Not Shown	NOTE	(After 9/25/03)		EA	
18	G3209547	Main Top Assy. (4G/4Q) - BK		EA	
Not Shown	NOTE	(Before 9/25/03)		EA	
18	G3209547AL	Main Top Assy. (4G/4Q) - AL		EA	Not available online / Call for pricing and availability
Not Shown	NOTE	(Before 9/25/03)		EA	
18	G3209547BT	Main Top Assy. (4G/4Q) - BT		EA	Not available online / Call for pricing and availability
Not Shown	NOTE	(Before 9/25/03)		EA	
18	G3209547CB	Main Top Assy. (4G/4Q) - CB		EA	Not available online / Call for pricing and availability
Not Shown	NOTE	(Before 9/25/03)		EA	
18	G3209547EP	Main Top Assy. (4G/4Q) - EP		EA	Not available online / Call for pricing and availability
Not Shown	NOTE	(Before 9/25/03)		EA	
18	G3209547FG	Main Top Assy. (4G/4Q) - FG		EA	Not available online / Call for pricing and availability
Not Shown	NOTE	(Before 9/25/03)		EA	
18	G3209547GG	Main Top Assy. (4G/4Q) - GG		EA	Not available online / Call for pricing and availability

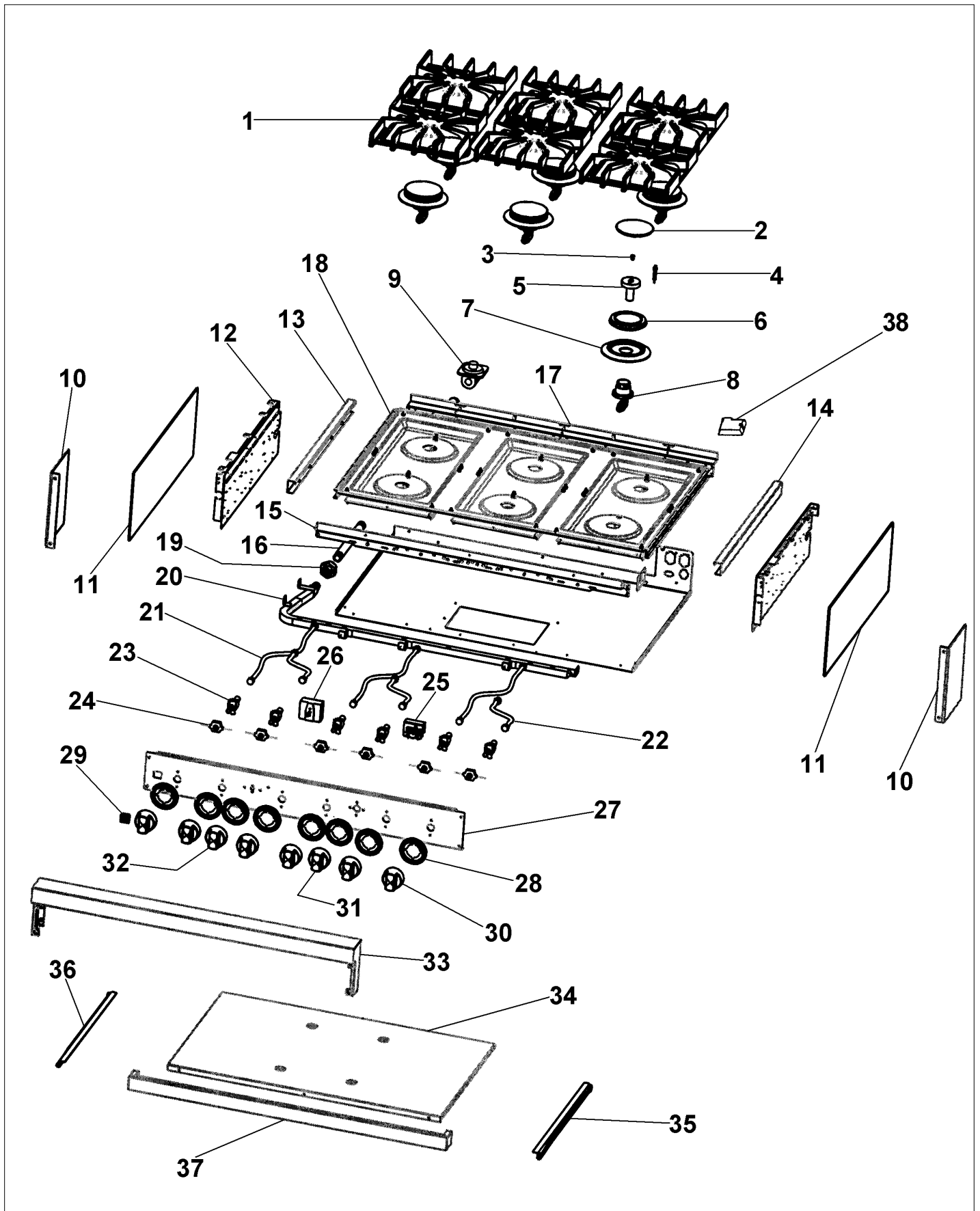




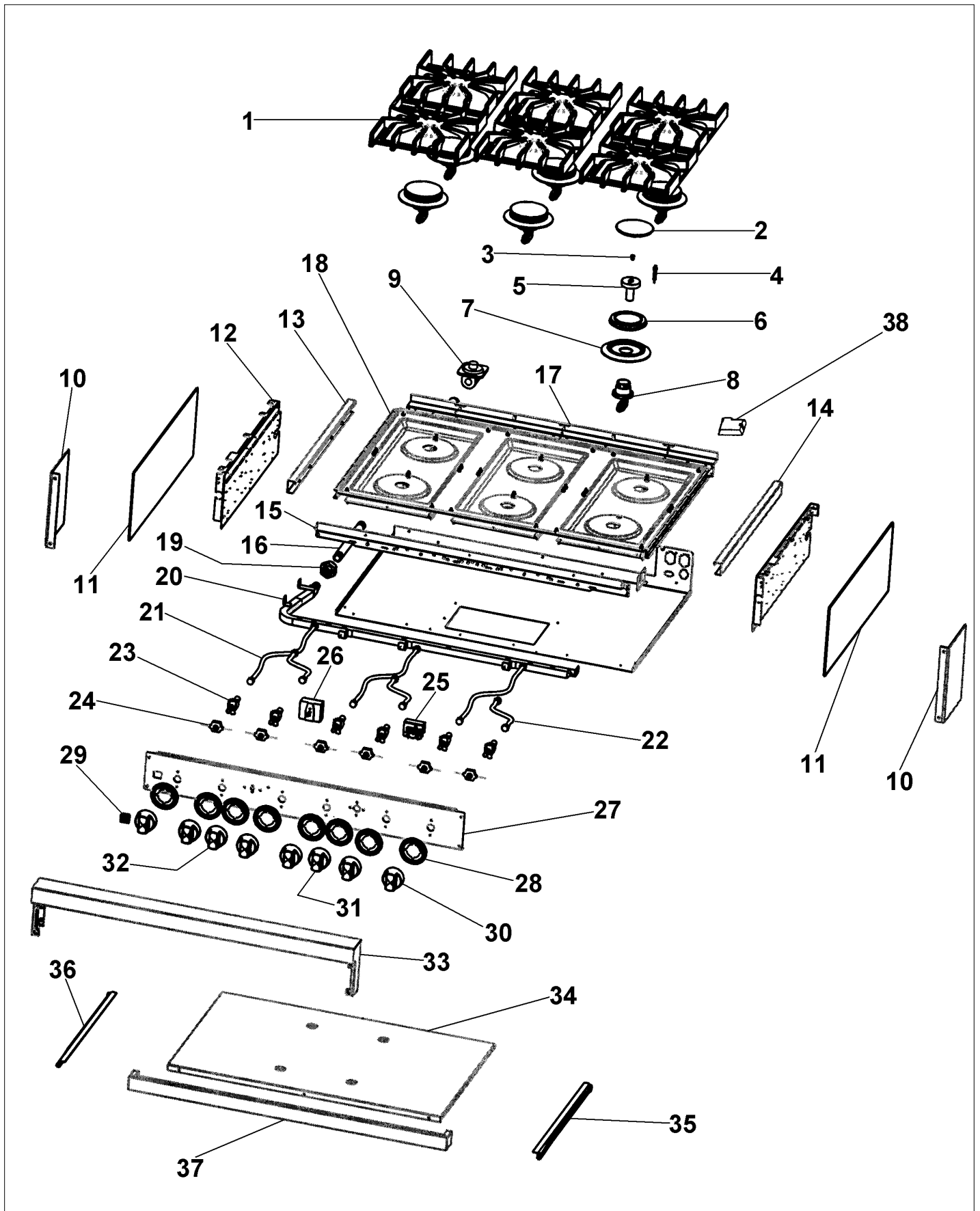
Item	Part No.	Name	Qty	Uom	NOTES
Not Shown	NOTE	(Before 9/25/03)		EA	
18	G3209547LE	Main Top Assy. (4G/4Q) - LE		EA	Not available online / Call for pricing and availability
Not Shown	NOTE	(Before 9/25/03)		EA	
18	G3209547MJ	Main Top Assy. (4G/4Q) - MJ		EA	Not available online / Call for pricing and availability
Not Shown	NOTE	(Before 9/25/03)		EA	
18	G3209547SG	Main Top Assy. (4G/4Q) - SG		EA	Not available online / Call for pricing and availability
Not Shown	NOTE	(Before 9/25/03)		EA	
18	G3209547VB	Main Top Assy. (4G/4Q) - VB		EA	Not available online / Call for pricing and availability
Not Shown	NOTE	(Before 9/25/03)		EA	
18	G3209547WH	Main Top Assy. (4G/4Q) - WH		EA	Not available online / Call for pricing and availability
Not Shown	NOTE	(Before 9/25/03)		EA	
18	E9108438AL	Main Top Assembly (4G / 4Q) - AL		EA	Not available online / Call for pricing and availability
Not Shown	NOTE	(After 9/25/03)		EA	
18	E9108438BK	MAIN TOP (VGRT4G/Q) *BK*		EA	
Not Shown	NOTE	(After 9/25/03)		EA	
18	E9108438BT	Main Top Assembly (4G / 4Q) - BT		EA	Not available online / Call for pricing and availability
Not Shown	NOTE	(After 9/25/03)		EA	



Item	Part No.	Name	Qty	Uom	NOTES
18	E9108438CB	Main Top Assembly (4G / 4Q) - CB		EA	Not available online / Call for pricing and availability
Not Shown	NOTE	(After 9/25/03)		EA	
18	E9108438EP	Main Top Assembly (4G / 4Q) - EP		EA	Not available online / Call for pricing and availability
Not Shown	NOTE	(After 9/25/03)		EA	
18	E9108438FG	Main Top Assembly (4G / 4Q) - FG		EA	Not available online / Call for pricing and availability
Not Shown	NOTE	(After 9/25/03)		EA	
18	E9108438GG	Main Top Assembly (4G / 4Q) - GG		EA	Not available online / Call for pricing and availability
Not Shown	NOTE	(After 9/25/03)		EA	
18	E9108438LE	Main Top Assembly (4G / 4Q) - LE		EA	Not available online / Call for pricing and availability
Not Shown	NOTE	(After 9/25/03)		EA	
18	E9108438MJ	Main Top Assembly (4G / 4Q) - MJ		EA	Not available online / Call for pricing and availability
Not Shown	NOTE	(After 9/25/03)		EA	
18	E9108438SG	Main Top Assembly (4G / 4Q) - SG		EA	Not available online / Call for pricing and availability
Not Shown	NOTE	(After 9/25/03)		EA	
18	E9108438VB	Main Top Assembly (4G / 4Q) - VB		EA	Not available online / Call for pricing and availability
Not Shown	NOTE	(After 9/25/03)		EA	

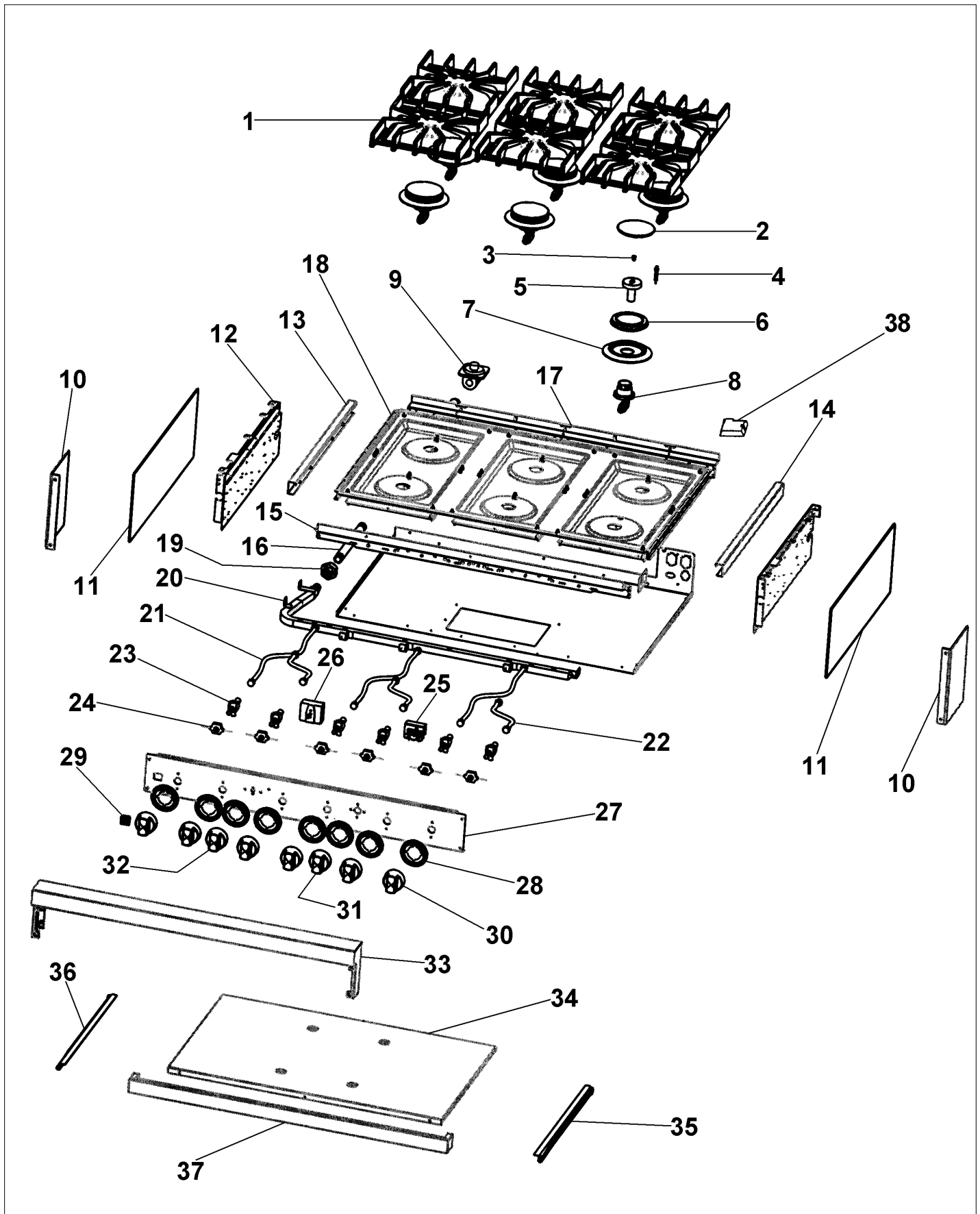


Item	Part No.	Name	Qty	Uom	NOTES
18	E9108438WH	Main Top Assembly (4G / 4Q) - WH		EA	Not available online / Call for pricing and availability
Not Shown	NOTE	(After 9/25/03)		EA	
19	PA050080	1/2" THREADED PIPE UNION		EA	NO LONGER AVAILABLE
20	002158-000	36" UNIVERSAL MANIFOLD		EA	
21	PB020193	16" FLEX TUBING W/CONNECTORS		EA	
22	PB020192	10" FLEX TUBING W/CONNECTORS		EA	
23	G50012679	Top Burner Valve Kit		EA	
Not Shown	003517-000	PA010158 VALVE AND BOLT KIT		EA	
24	PA020015	Spark Ignition Switch		EA	
Not Shown	NOTE	(BEFORE 02/23/05)		EA	
Not Shown	PA020045	Spark Ignition Switch		EA	
Not Shown	NOTE	(ON OR AFTER 02/23/05)		EA	
25	PJ030003	THERMOSTAT (SELF CLEAN) VDSC		EA	
<p>Comments for Part Num. PJ030003</p> <p>boltz on Nov 21, 2017 See Bulletin 2005-03 Reply by steves@bendbroadband.com on Apr 10, 2018 what bulletin? bulletin should linked here. Reply by bradleysapplianceservice@shaw.ca on Sep 27, 2018 If you have access to Documoto then all you have to do is either run the part number PJ030003 or service bulletin number 2005-03AS in the main search field and all your answer will be there. It's Simple.</p>					
Not Shown	NOTE	(BEFORE 11/28/05)		EA	
25	PS500032	PJ030031 THERMOSTAT AND ROLL PIN SERVICE KIT		EA	See 2005-03 Bulletin
Not Shown	NOTE	(AFTER 11/28/05)		EA	
26	PJ030001	SELECTOR SWITCH (8-POSITION) VDSC		EA	





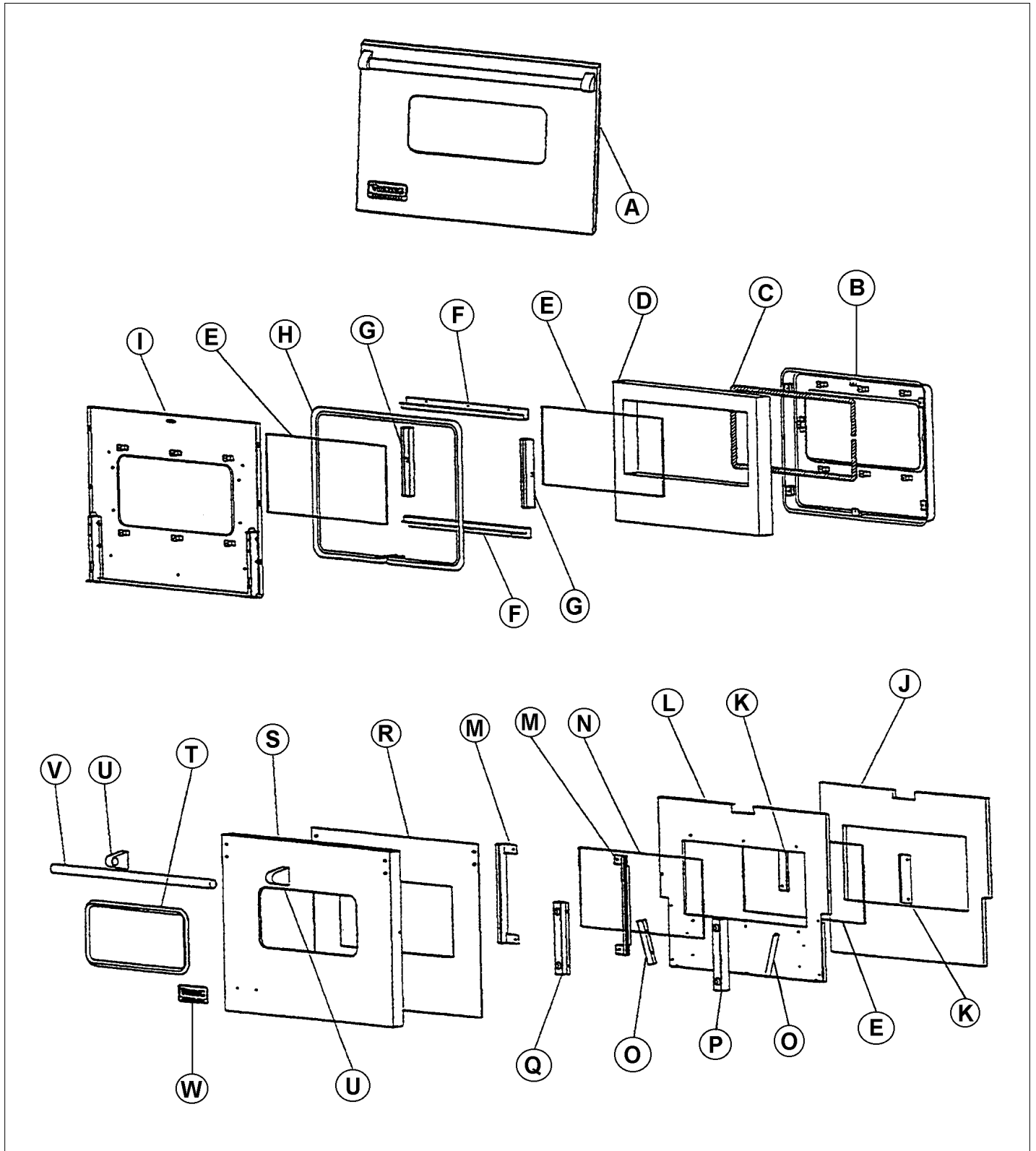
Item	Part No.	Name	Qty	Uom	NOTES
27	B9203173	CTRL PAN (VDSC305-6B) *SLK SCR*		EA	
Comments for Part Num. B9203173					
vharding68@verizon.net on Mar 15, 2018					
the model number in this note is incorrect as a vdsc305 does not have 6 burners.					
27	B9203171	CTRL PAN (VDSC365 4G) *SLK SCR*		EA	
27	B9203172	CTRL PAN (VDSC365-4Q) *SLK SCR*		EA	
28	050172-000	BEZEL, KNOB		EA	
28	PB010172	BEZEL NEW BR REPL PB010107		EA	
29	PE050016	OVEN LIGHT SWITCH - *BK* (WES-GAR)		EA	
29	PE050017	OVEN LIGHT SWITCH - *WH* (WES-GAR)		EA	
30	PB010206	TOP BURNER KNOB BK		EA	
30	PB010207	TOP BURNER KNOB WH		EA	Not available online / Call for pricing and availability
31	PB010129	THERMOSTAT KNOB *BK* (VDSC)		EA	
31	PB010130	THERMOSTAT KNOB *WH* (VDSC)		EA	
32	PB010230	OVEN SELECT. KNOB*BK* VDSC307		EA	
32	PB010132	SELECTOR KNOB *WH* (VDSC)		EA	
33	G3009151	Landing Ledge Assembly		EA	
34	G3009714	36" DRIP TRAY ASSY. - NLA		EA	
35	PK000010	RUNNER, DRIP TRAY - RH (VGRT)		EA	
36	PK000009	Drip Tray Guide - LH		EA	
37	G30010696	DRIP TRAY HANDLE ASSY 36"		EA	
37	G93011459PVD	False Tray Handle - 6B (BR) - NLA		EA	
37	B3009593	36" FALSE TRAY HANDLE		EA	NO LONGER AVAILABLE
37	C9309593PVD	36" FALSE TRAY HANDLE *PVD*		EA	NO LONGER AVAILABLE



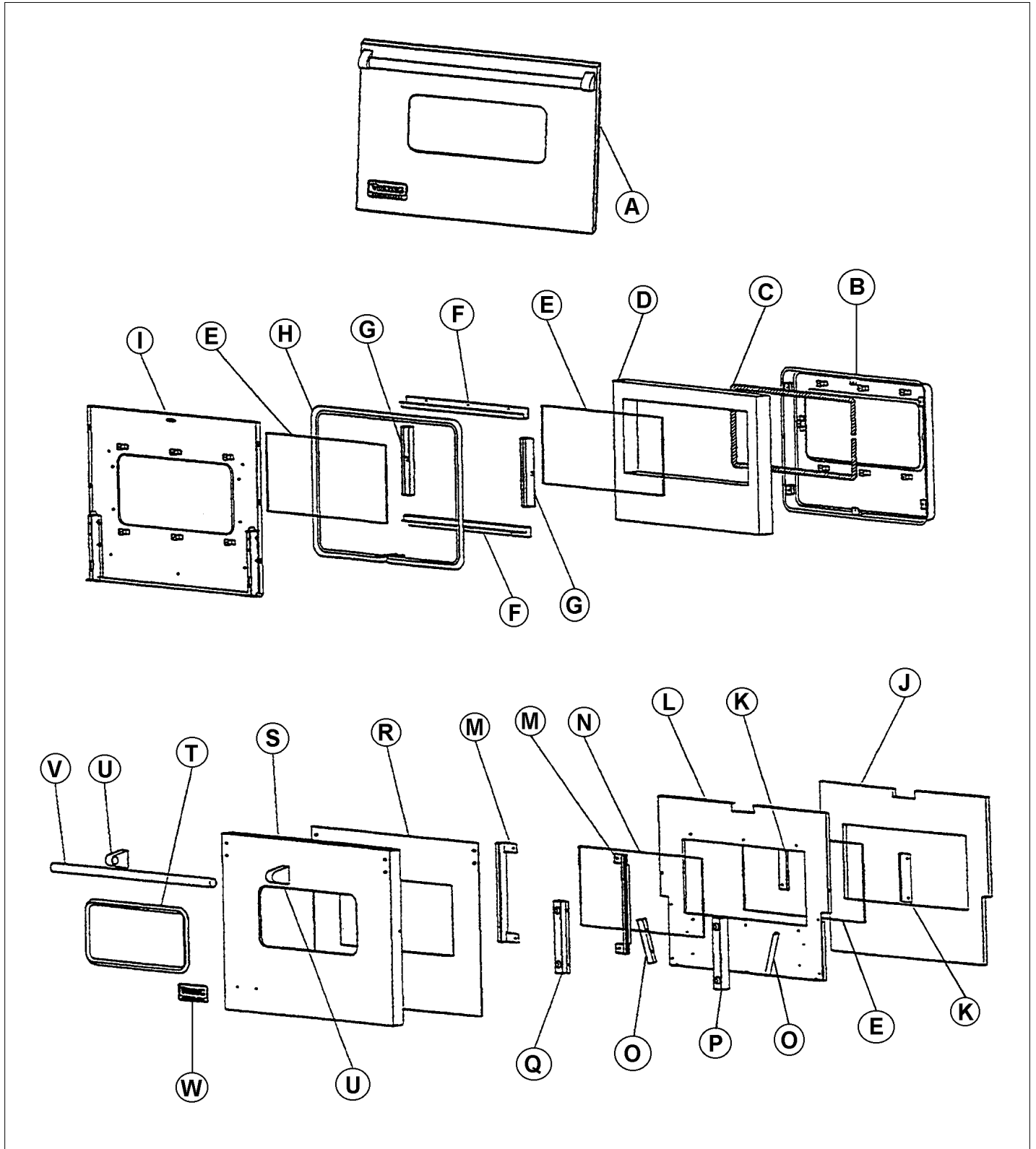


Item	Part No.	Name	Qty	Uom	NOTES
38	PA020048	Spark Module (6B /6G/ 4Q)		EA	
38	PE070458	6 POINTS SPARK MODULE HARNESS ASSY		EA	
38	PA020047	INVENSYS 0+4 RE-IGNITION SPARK MODULE		EA	
38	PA020037	SINGLE MODULE 120V		EA	
NI	G50013882	VDSC367-6B BURNER SUPPORT SERVICE KIT		EA	
NI	G50013883	VDSC367-4Q BURNER SUPPORT SERVICE KIT		EA	NO LONGER AVAILABLE
NI	G50013884	VDSC367-4G BURNER SUPPORT SERVICE KIT		EA	NO LONGER AVAILABLE

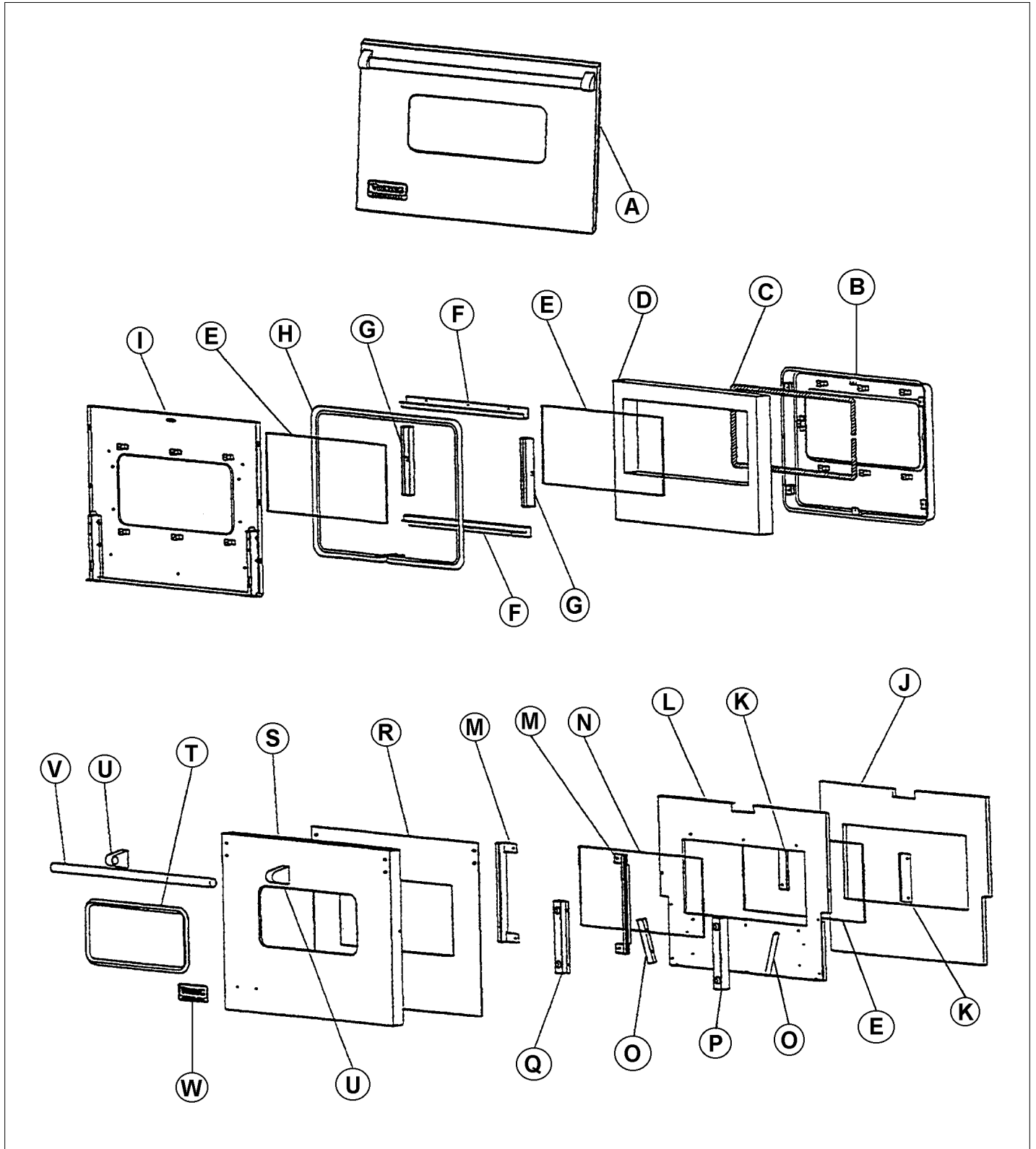
DOOR ASSY



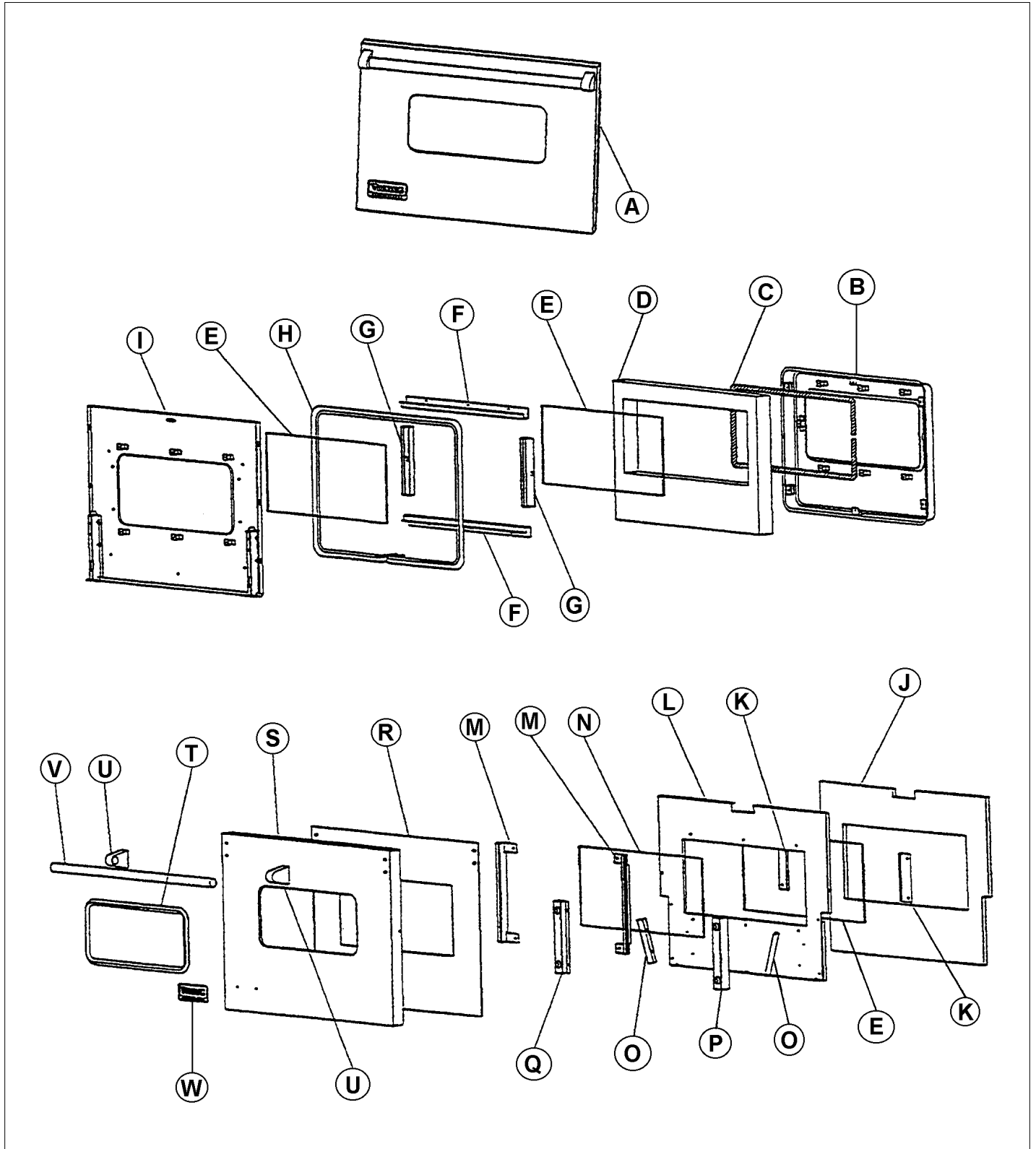
Item	Part No.	Name	Qty	Uom	NOTES
A	G3202805AL	DOOR SUB-ASSY-*AL* (VDSC36)	1	EA	NO LONGER AVAILABLE, Not available online / Call for pricing and availability
Not Shown	G3202805ALBR	DOOR SUB-ASSY-*AL**BR* (VDSC36)	1	EA	NO LONGER AVAILABLE, Not available online / Call for pricing and availability
Not Shown	G3202805BK	DOOR SUB-ASSY-*BK* (VDSC36)	1	EA	NO LONGER AVAILABLE, Not available online / Call for pricing and availability
Not Shown	G3202805BKBR	COMPLETE DOOR ASSY. - BKBR	1	EA	Not available online / Call for pricing and availability
Not Shown	G3202805BT	DOOR SUB-ASSY-*BT* (VDSC36)	1	EA	NO LONGER AVAILABLE, Not available online / Call for pricing and availability
Not Shown	G3202805BTBR	COMPLETE DOOR ASSY. - BTBR	1	EA	Not available online / Call for pricing and availability
Not Shown	G3202805BU	DOOR SUB-ASSY-*BU* (VDSC36)	1	EA	NO LONGER AVAILABLE, Not available online / Call for pricing and availability
Not Shown	G3202805BUBR	DOOR SUB-ASSY-*BU**BR* (VDSC36)	1	EA	NO LONGER AVAILABLE, Not available online / Call for pricing and availability
Not Shown	G3202805CB	DOOR SUB-ASSY-*CB* (VDSC36)	1	EA	NO LONGER AVAILABLE, Not available online / Call for pricing and availability
Not Shown	G3202805CBBR	COMPLETE DOOR ASSY. - CBBR	1	EA	Not available online / Call for pricing and availability
Not Shown	G3202805EP	DOOR SUB-ASSY- *EP* (VDSC36)	1	EA	NO LONGER AVAILABLE, Not available online / Call for pricing and availability



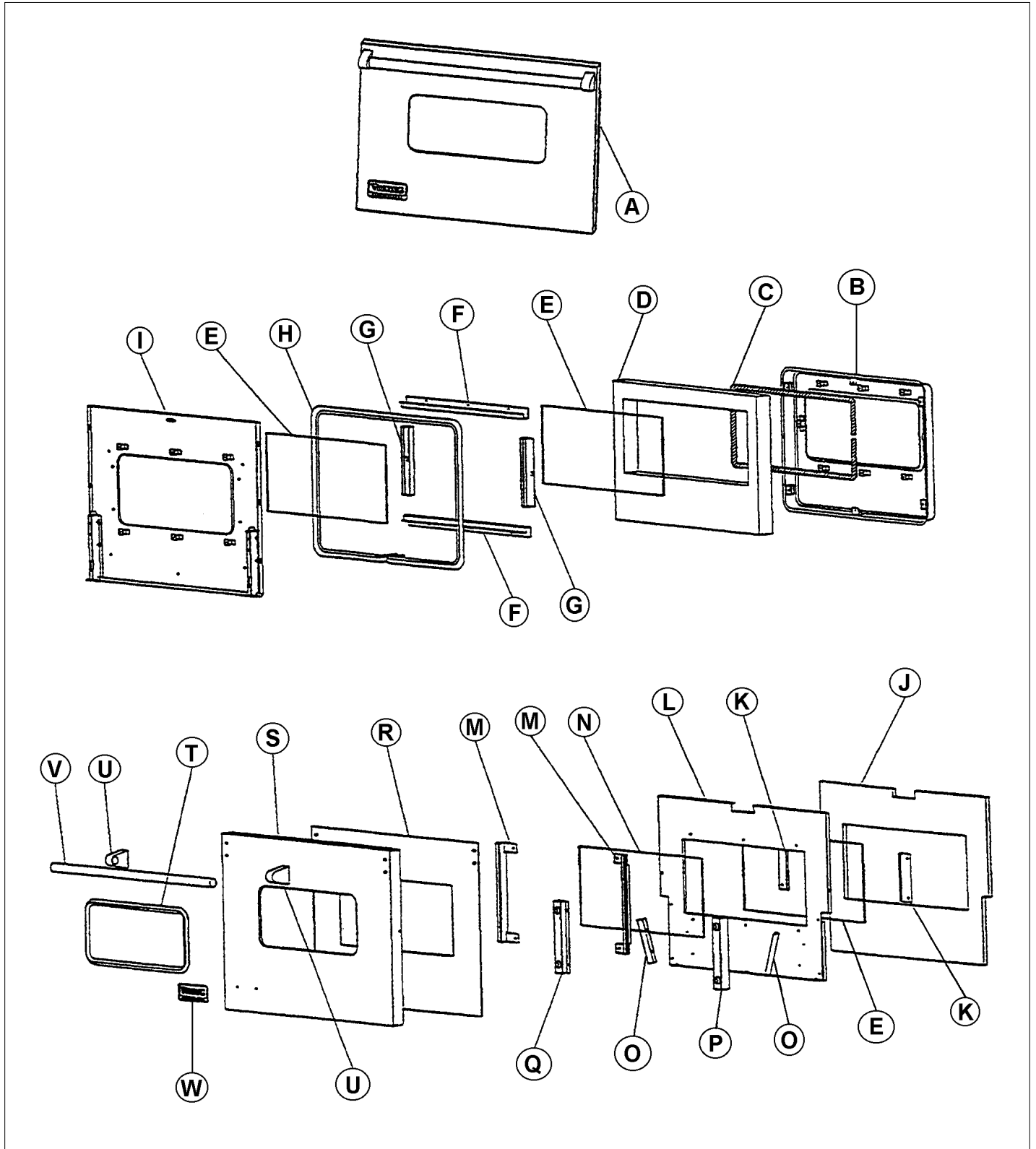
Item	Part No.	Name	Qty	Uom	NOTES
Not Shown	G3202805EPBR	COMPLETE DOOR ASSY. - EPBR	1	EA	Not available online / Call for pricing and availability
Not Shown	G3202805FG	DOOR SUB-ASSY- *FG* (VDSC36)	1	EA	NO LONGER AVAILABLE, Not available online / Call for pricing and availability
Not Shown	G3202805FGBR	DOOR SUB-ASSY- *FG**BR* (VDSC36)	1	EA	NO LONGER AVAILABLE, Not available online / Call for pricing and availability
Not Shown	G3202805GG	DOOR SUB-ASSY-*GG* (VDSC36)	1	EA	NO LONGER AVAILABLE, Not available online / Call for pricing and availability
Not Shown	G3202805GGBR	DOOR SUB-ASSY-*GG*BR* (VDSC36)	1	EA	NO LONGER AVAILABLE, Not available online / Call for pricing and availability
Not Shown	G3202805LE	DOOR SUB-ASSY- *LE* (VDSC36)	1	EA	NO LONGER AVAILABLE, Not available online / Call for pricing and availability
Not Shown	G3202805LEBR	COMPLETE DOOR ASSY. - LEBR	1	EA	
Not Shown	G3202805MJ	DOOR SUB-ASSY- *MJ* (VDSC36)	1	EA	
Not Shown	G3202805MJBR	COMPLETE DOOR ASSY. - MJBR	1	EA	Not available online / Call for pricing and availability
Not Shown	G3202805SG	DOOR SUB-ASSY- *SG* (VDSC36)	1	EA	NO LONGER AVAILABLE, Not available online / Call for pricing and availability
Not Shown	G3202805SGBR	COMPLETE DOOR ASSY. - SGBR	1	EA	Not available online / Call for pricing and availability
Not Shown	G3202805SS	DOOR SUB-ASSY-*SS* (VDSC36)	1	EA	
Not Shown	G3202805SSBR	COMPLETE DOOR ASSEMBLY - SSBR	1	EA	Not available online / Call for pricing and availability



Item	Part No.	Name	Qty	Uom	NOTES
Not Shown	G3202805VB	DOOR SUB-ASSY-*VB* (VDSC36)	1	EA	NO LONGER AVAILABLE, Not available online / Call for pricing and availability
Not Shown	G3202805VBBR	DOOR SUB-ASSY- *VB**BR* (VDSC36)	1	EA	NO LONGER AVAILABLE, Not available online / Call for pricing and availability
Not Shown	G3202805WH	DOOR SUB-ASSY-*WH* (VDSC36)	1	EA	NO LONGER AVAILABLE, Not available online / Call for pricing and availability
Not Shown	G3202805WHBR	DOOR SUB-ASSY-*WH**BR* (VDSC36)	1	EA	NO LONGER AVAILABLE, Not available online / Call for pricing and availability
B	G9102746	DOOR PLUG ASSY (VDSC36)	1	EA	
C	000594-000	BLACK FIBERGLASS ROPE 3/8	1	EA	
D	PB070024	SEAL, TRIPLE LIP - DISPOSAL 201469	1	EA	NO LONGER AVAILABLE
E	PE060039	GLASS-HEAT TREATED (HB2) VDSC	1	EA	
F	C9002178	WINDOW LINER - TOP / BOTTOM	1	EA	Not available online / Call for pricing and availability
G	C9002179	WINDOW LINER - SIDE	1	EA	Not available online / Call for pricing and availability
H	000623-000	DOOR GASKET(3/8"DIA.) (VDSC)	1	EA	
I	G9102748	DOOR LINER ASSY (VDSC36)	1	EA	
J	PB070034	INSULATION-TRS-10 1" X 20" X 77' ROLL	1	EA	
K	A2002189	DOOR GLASS STANDOFF (VDSC)	1	EA	
L	A2002800	DOOR INSULATION RETAINER (VDSC36)	1	EA	
M	A2002367	DOOR GLASS BRKT	1	EA	
N	PE060030	OUTER DOOR GLASS	1	EA	
O	A2002497	DOOR GUIDE ANGLE VDSC	1	EA	
P	A2002498	HINGE POCKET COVER RH	1	EA	



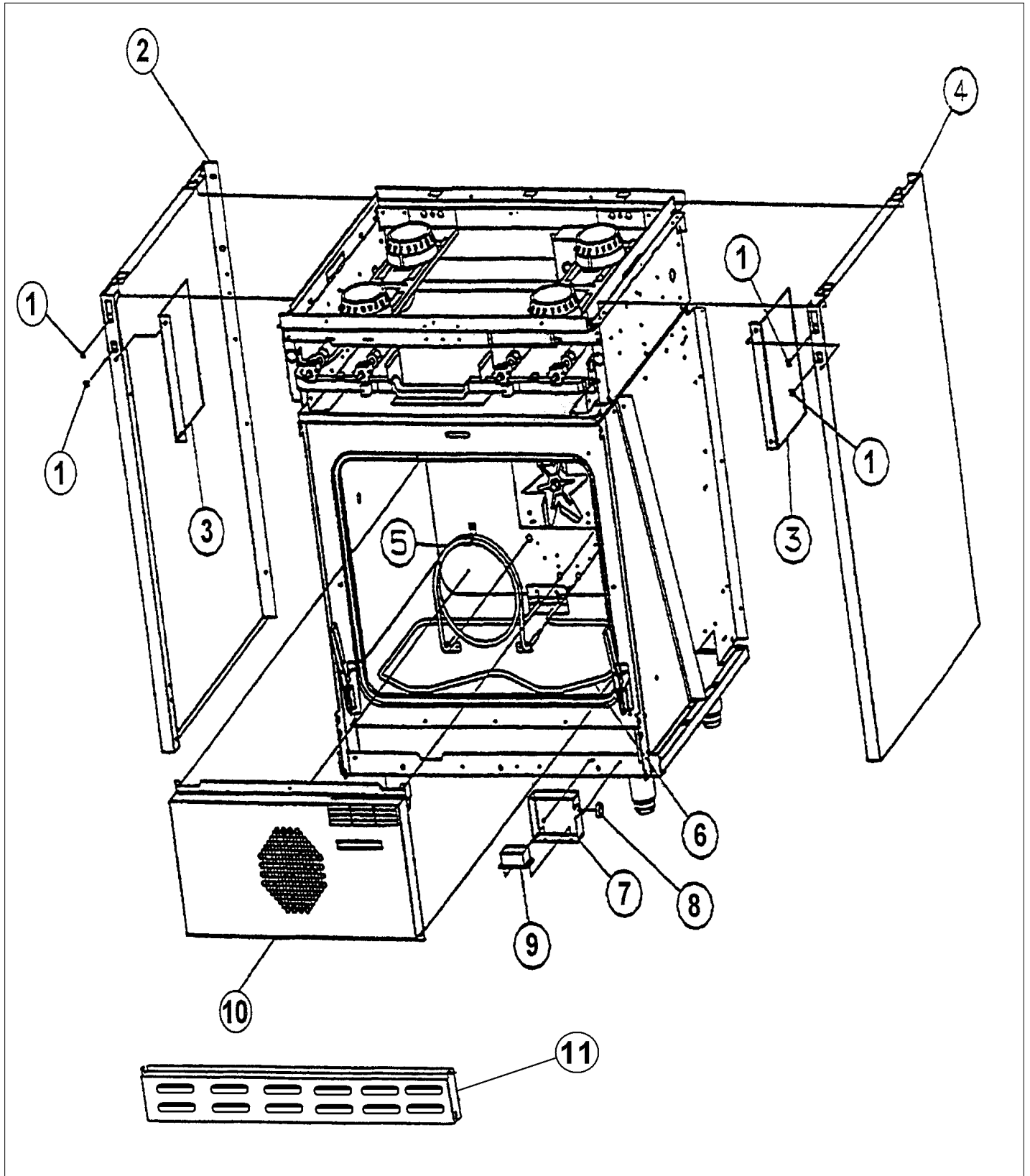
Item	Part No.	Name	Qty	Uom	NOTES
Q	A2002499	HINGE POCKET COVER LH	1	EA	
R	J1002799	OVEN DR HEAT SINK (VDSC36)	1	EA	Not available online / Call for pricing and availability
S	B2002798	O/S DOOR PANEL *SS* (VDSC36)	1	EA	
Not Shown	C9002798AL	O/S DOOR PANEL-*AL* (VDSC36)	1	EA	NO LONGER AVAILABLE, Not available online / Call for pricing and availability
Not Shown	C9002798BK	O/S DOOR PANEL-*BK* (VDSC36)	1	EA	NO LONGER AVAILABLE
Not Shown	C9002798BT	O/S DOOR PANEL-*BT* (VDSC36)	1	EA	NO LONGER AVAILABLE, Not available online / Call for pricing and availability
Not Shown	C9002798BU	O/S DOOR PANEL-*BU* (VDSC36)	1	EA	NO LONGER AVAILABLE
Not Shown	C9002798CB	O/S DOOR PANEL-CB* (VDSC36)	1	EA	NO LONGER AVAILABLE
Not Shown	C9002798EP	O/S DOOR PANEL-*EP* (VDSC36)	1	EA	NO LONGER AVAILABLE
Not Shown	C9002798FG	O/S DOOR PANEL-*FG* (VDSC36)	1	EA	NO LONGER AVAILABLE, Not available online / Call for pricing and availability
Not Shown	C9002798GG	O/S DOOR PANEL-*GG* (VDSC36)	1	EA	
Not Shown	C9002798LE	O/S DOOR PANEL-*LE* (VDSC36)	1	EA	NO LONGER AVAILABLE, Not available online / Call for pricing and availability
Not Shown	C9002798LN	O/S DOOR PANEL-*LN* (VDSC36)	1	EA	NO LONGER AVAILABLE, Not available online / Call for pricing and availability
Not Shown	C9002798MJ	O/S DOOR PANEL_*MJ* (VDSC36)	1	EA	Not available online / Call for pricing and availability
Not Shown	C9002798PL	O/S DOOR PANEL-*PL* (VDSC36)	1	EA	NO LONGER AVAILABLE



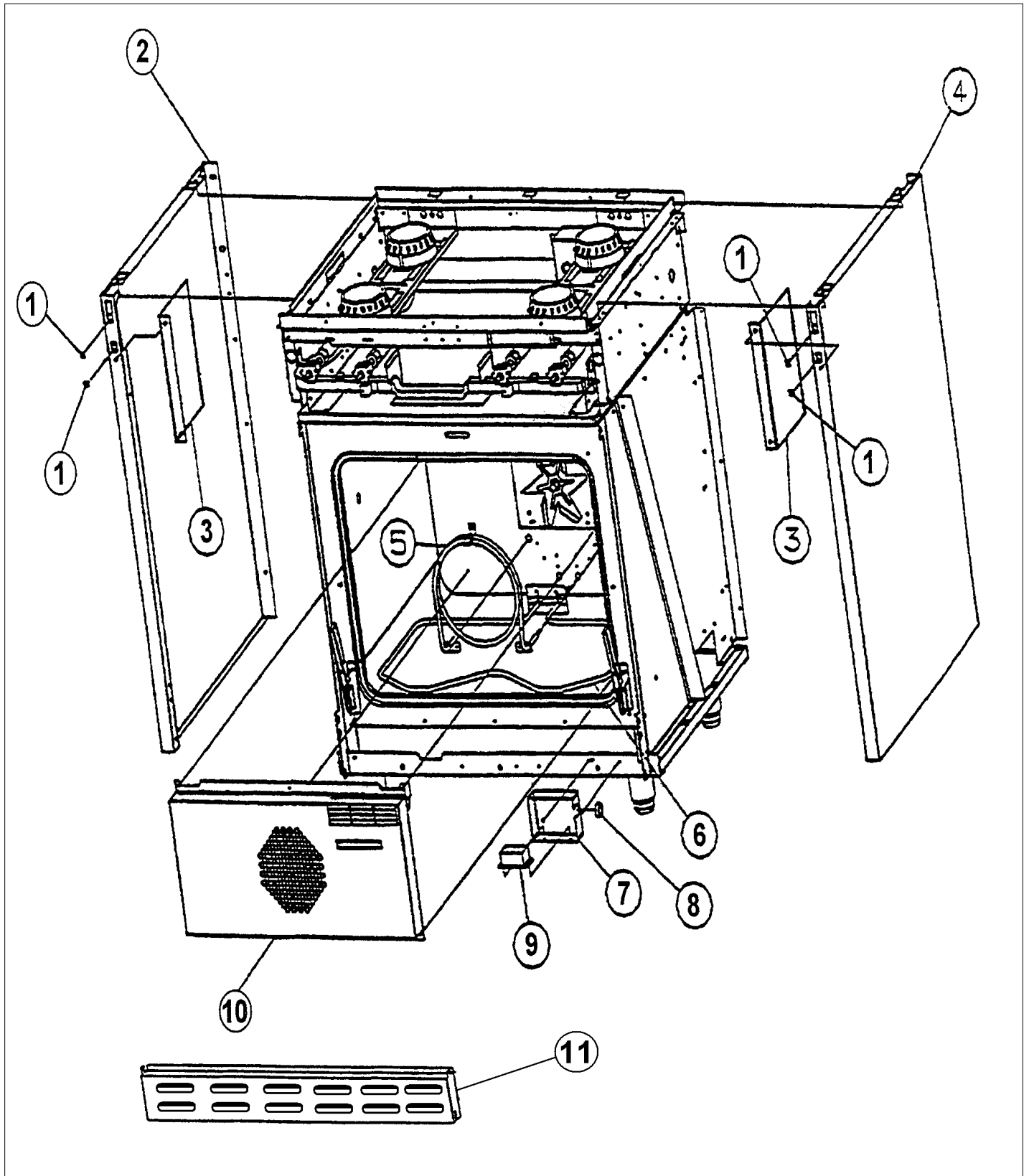


Item	Part No.	Name	Qty	Uom	NOTES
Not Shown	C9002798SG	O/S DOOR PANEL-*SG* (VDSC36)	1	EA	NO LONGER AVAILABLE, Not available online / Call for pricing and availability
Not Shown	C9002798VB	O/S DOOR PANEL-*VB* (VDSC36)	1	EA	NO LONGER AVAILABLE, Not available online / Call for pricing and availability
Not Shown	C9002798WH	O/S DOOR PANEL-*WH* (VDSC36)	1	EA	Not available online / Call for pricing and availability
T	PE060031	J-MOLD (LARGE WINDOW)	1	EA	
Not Shown	PE060045	J-MOLD (LARGE WINDOW) *BR*	1	EA	
U	000268-000	HANDLE ENDCAP	1	EA	
Not Shown	PE030001PVD	END CAP DOOR HANDLE *BR	1	EA	
V	PE030006	DOOR HANDLE - 36" (VGRC)	1	EA	
PE030013	PE030013PVD	DOOR HANDLE (36") PVD - NLA	1	EA	NO LONGER AVAILABLE
W	PE010030	LOGO	1	EA	
Not Shown	PE010031	LOGO 6" (VGRC) *BK/WH*	1	EA	NO LONGER AVAILABLE
Not Shown	PE010068	LOGO 6" (VGRC) BK/BR	1	EA	
Not Shown	PE010076	LOGO 6" (VGRC) *BR/WH*	1	EA	NO LONGER AVAILABLE

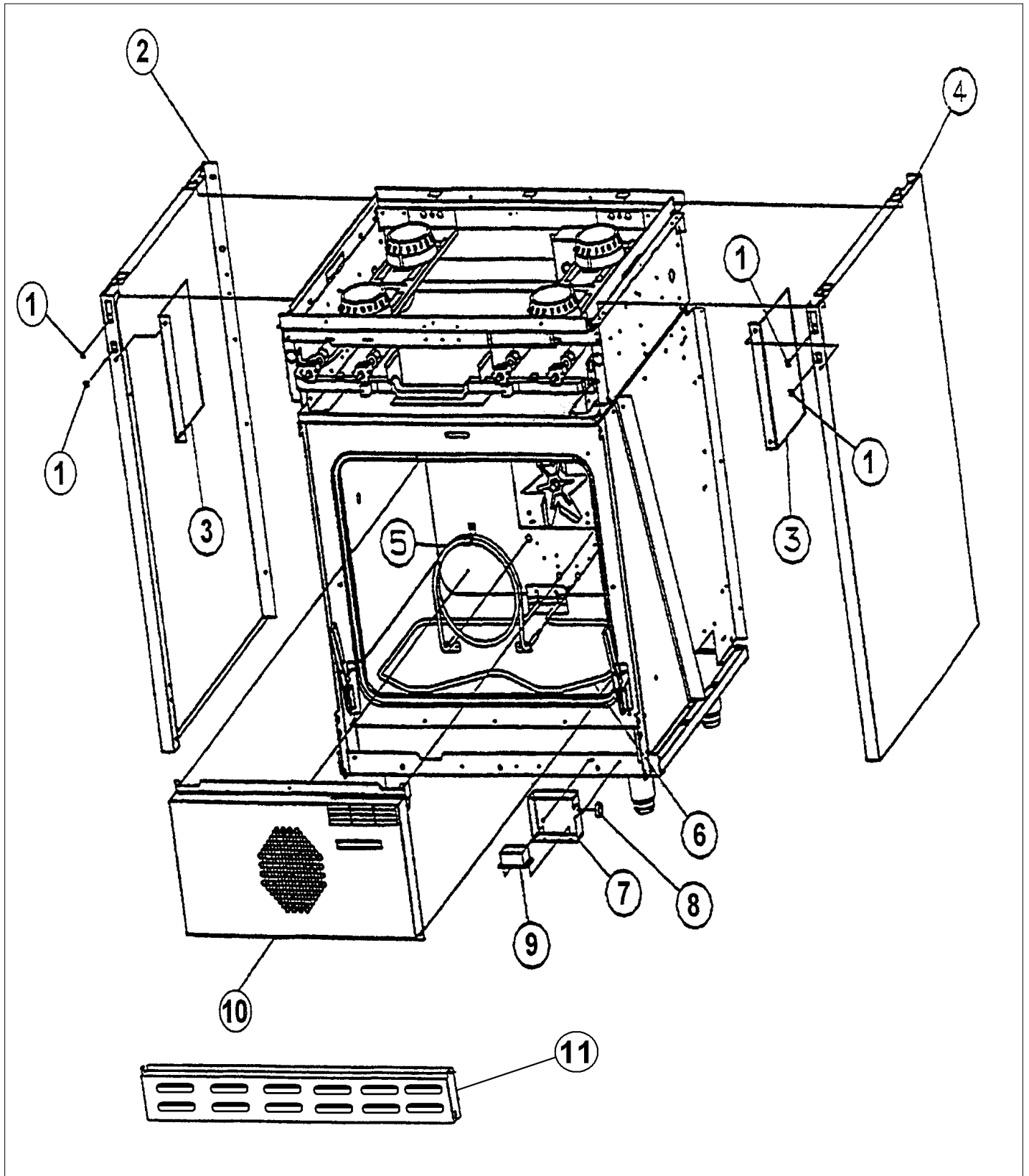
EXTERIOR ASSY



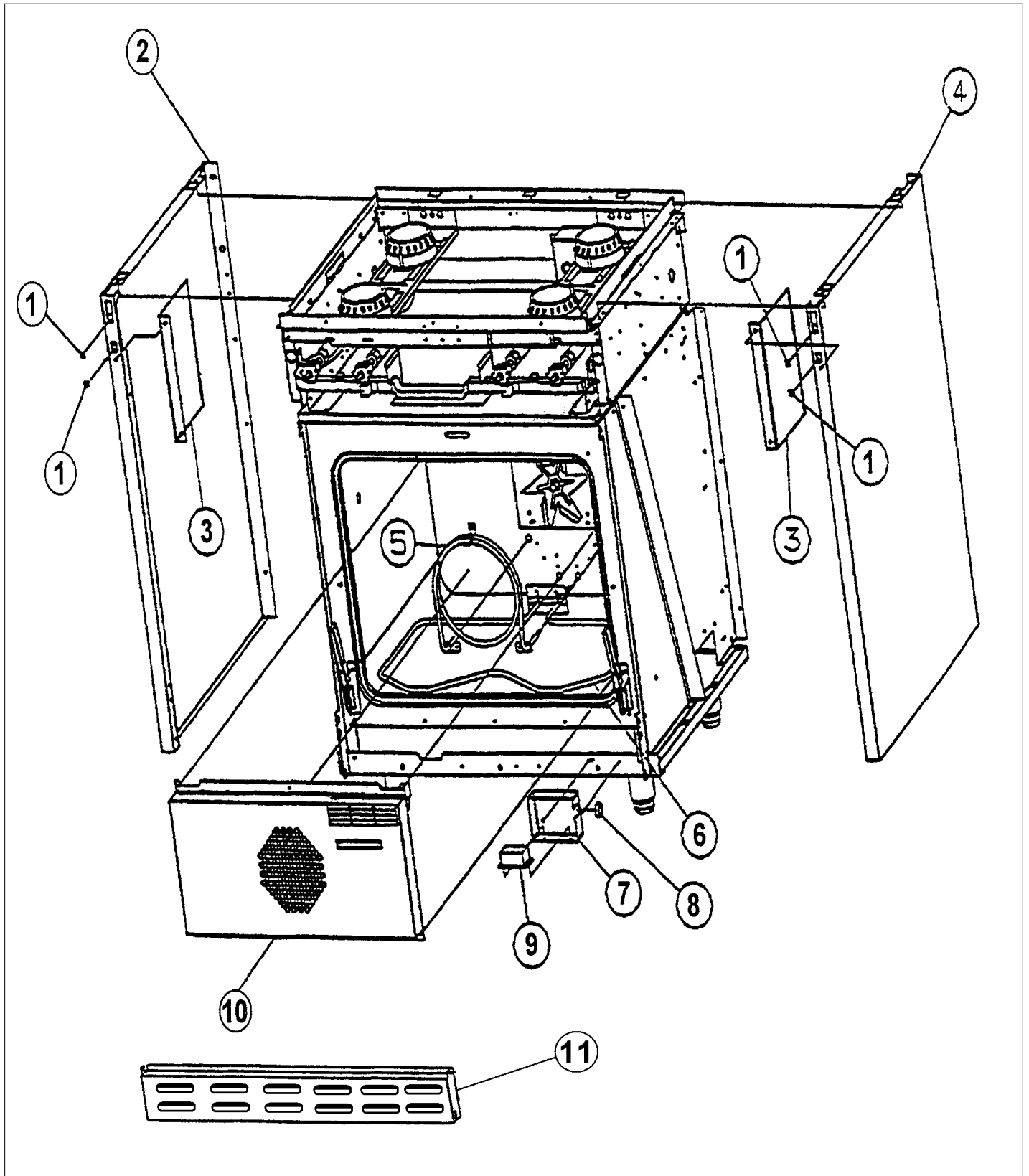
Item	Part No.	Name	Qty	Uom	NOTES
1	PD030005	SELF RETAINING NUT	1	EA	
2	B2006750	O/S BODY PANEL-LH (VDSC3074)	1	EA	
Not Shown	NOTE	Before 9/25/03		EA	
2	C9006750AL	O/S BODY PANEL-LH *AL* (VDSC)	1	EA	NO LONGER AVAILABLE, Not available online / Call for pricing and availability
Not Shown	NOTE	Before 9/25/03		EA	
2	C9006750BK	O/S BODY PANEL-LH *BK* (VDSC)	1	EA	NO LONGER AVAILABLE
Not Shown	NOTE	Before 9/25/03		EA	
2	C9006750BT	O/S BODY PANEL-LH *BT* (VDSC)	1	EA	NO LONGER AVAILABLE, Not available online / Call for pricing and availability
Not Shown	NOTE	Before 9/25/03		EA	
2	C9006750BU	O/S BODY PANEL-LH *BU* (VDSC)	1	EA	NO LONGER AVAILABLE, Not available online / Call for pricing and availability
Not Shown	NOTE	Before 9/25/03		EA	
2	C9006750CB	O/S BODY PANEL-LH *CB* (VDSC)	1	EA	NO LONGER AVAILABLE, Not available online / Call for pricing and availability
Not Shown	NOTE	Before 9/25/03		EA	
2	C9006750EP	O/S BODY PANEL-LH *EP* (VDSC)	1	EA	NO LONGER AVAILABLE, Not available online / Call for pricing and availability
Not Shown	NOTE	Before 9/25/03		EA	
2	C9006750FG	O/S BODY PANEL-LH *FG* (VDSC)	1	EA	NO LONGER AVAILABLE, Not available online / Call for pricing and availability



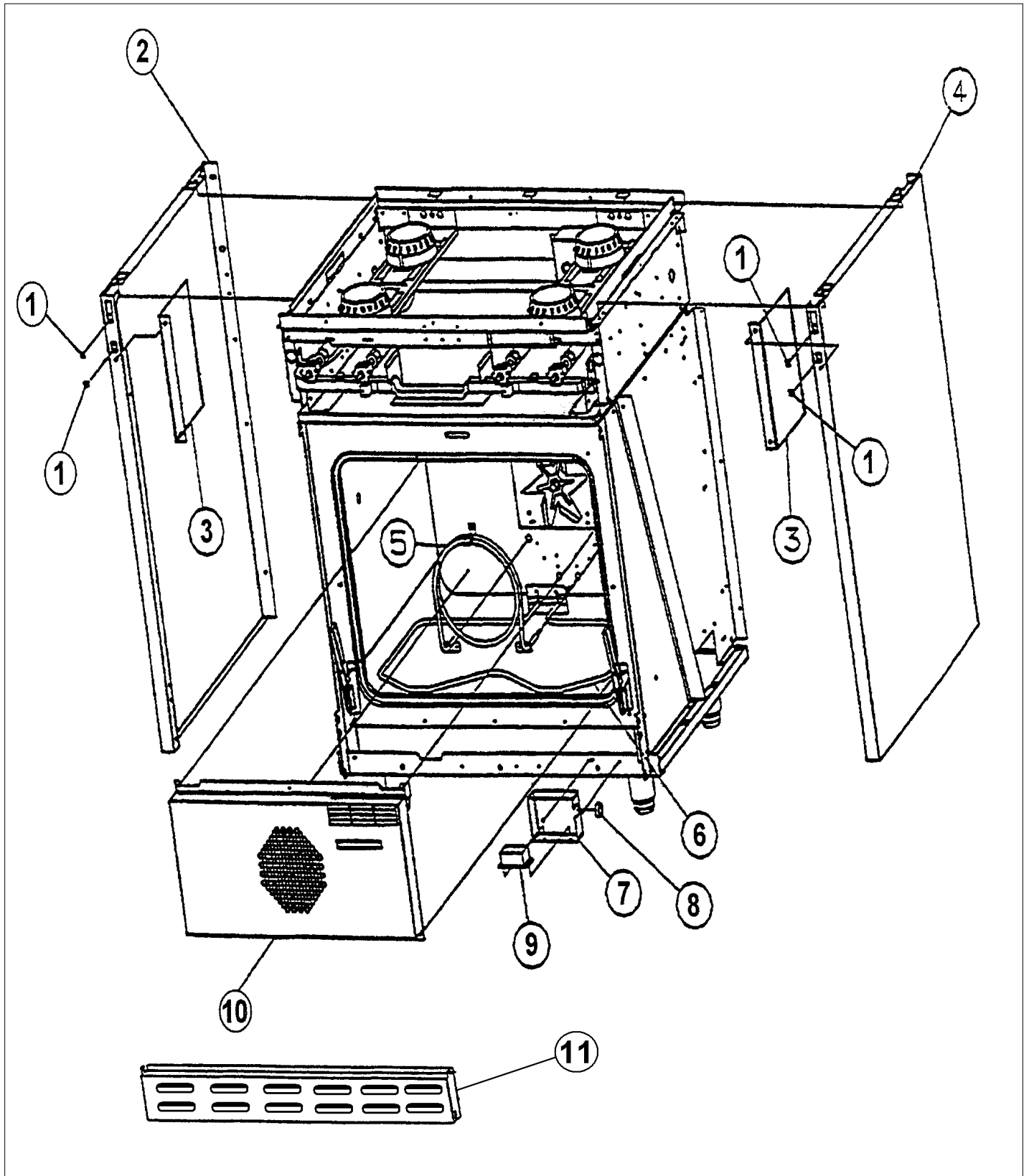
Item	Part No.	Name	Qty	Uom	NOTES
Not Shown	NOTE	Before 9/25/03		EA	
2	C9006750GG	O/S BODY PANEL-LH *GG* (VDSC)	1	EA	NO LONGER AVAILABLE, Not available online / Call for pricing and availability
Not Shown	NOTE	Before 9/25/03		EA	
2	C9006750LE	O/S BODY PANEL-LH *LE* (VDSC)	1	EA	NO LONGER AVAILABLE
Not Shown	NOTE	Before 9/25/03		EA	
2	C9006750MJ	O/S BODY PANEL-LH *MJ* (VDSC)	1	EA	NO LONGER AVAILABLE, Not available online / Call for pricing and availability
Not Shown	NOTE	Before 9/25/03		EA	
2	C9006750SG	O/S BODY PANEL-LH *SG* (VDSC)	1	EA	NO LONGER AVAILABLE, Not available online / Call for pricing and availability
Not Shown	NOTE	Before 9/25/03		EA	
2	C9006750VB	O/S BODY PANEL-LH *VB* (VDSC)	1	EA	NO LONGER AVAILABLE, Not available online / Call for pricing and availability
Not Shown	NOTE	Before 9/25/03		EA	
2	C9006750WH	O/S BODY PANEL-LH *WH* (VDSC)	1	EA	NO LONGER AVAILABLE, Not available online / Call for pricing and availability
Not Shown	NOTE	Before 9/25/03		EA	
2	B2007870	IC SEALED LH SIDE PANEL	1	EA	
Not Shown	NOTE	After 9/25/03		EA	
2	C9007870AL	IC SEALED LH SIDE PANEL *AL*	1	EA	NO LONGER AVAILABLE, Not available online / Call for pricing and availability



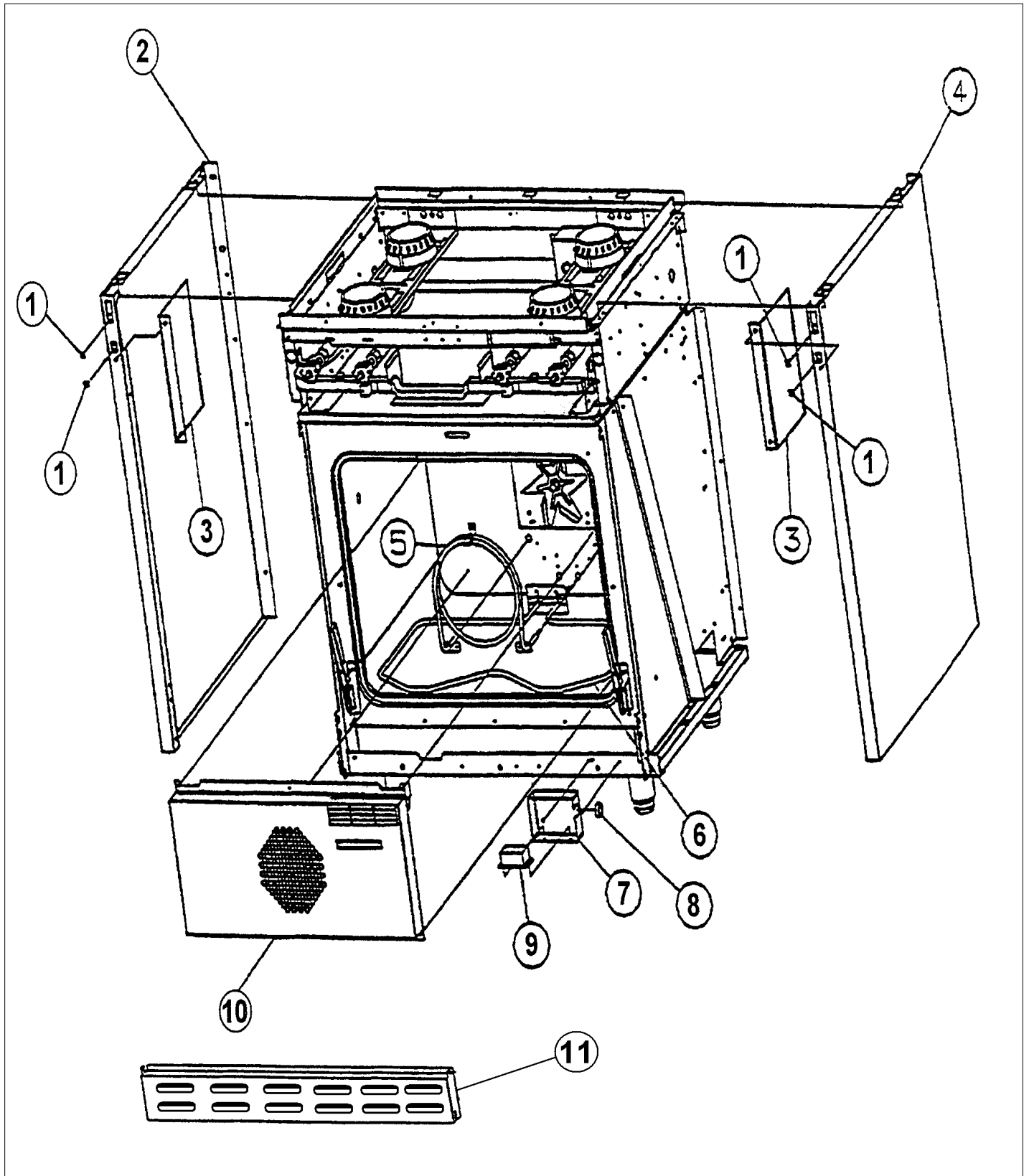
Item	Part No.	Name	Qty	Uom	NOTES
Not Shown	NOTE	After 9/25/03		EA	
2	C9007870BK	IC SEALED LH SIDE PANEL *BK*	1	EA	NO LONGER AVAILABLE
Not Shown	NOTE	After 9/25/03		EA	
2	C9007870BT	IC SEALED LH SIDE PANEL *BT*	1	EA	NO LONGER AVAILABLE, Not available online / Call for pricing and availability
Not Shown	NOTE	After 9/25/03		EA	
2	C9007870BU	IC SEALED LH SIDE PANEL *BU*	1	EA	NO LONGER AVAILABLE
Not Shown	NOTE	After 9/25/03		EA	
2	C9007870CB	IC SEALED LH SIDE PANEL *CB*	1	EA	NO LONGER AVAILABLE
Not Shown	NOTE	After 9/25/03		EA	
2	C9007870EP	IC SEALED LH SIDE PANEL *EP*	1	EA	NO LONGER AVAILABLE, Not available online / Call for pricing and availability
Not Shown	NOTE	After 9/25/03		EA	
Not Shown	C9007870FG	IC SEALED LH SIDE PANEL *FG*	1	EA	NO LONGER AVAILABLE, Not available online / Call for pricing and availability
Not Shown	NOTE	After 9/25/03		EA	
Not Shown	C9007870GG	IC SEALED LH SIDE PANEL *GG*	1	EA	NO LONGER AVAILABLE, Not available online / Call for pricing and availability
Not Shown	NOTE	After 9/25/03		EA	
Not Shown	C9007870LE	IC SEALED LH SIDE PANEL *LE*	1	EA	NO LONGER AVAILABLE, Not available online / Call for pricing and availability
Not Shown	NOTE	After 9/25/03		EA	



Item	Part No.	Name	Qty	Uom	NOTES
Not Shown	C9007870MJ	IC SEALED LH SIDE PANEL *MJ*	1	EA	NO LONGER AVAILABLE, Not available online / Call for pricing and availability
Not Shown	NOTE	After 9/25/03		EA	
Not Shown	C9007870SG	IC SEALED LH SIDE PANEL *SG*	1	EA	NO LONGER AVAILABLE
Not Shown	NOTE	After 9/25/03		EA	
Not Shown	C9007870VB	IC SEALED LH SIDE PANEL *VB*	1	EA	NO LONGER AVAILABLE, Not available online / Call for pricing and availability
Not Shown	NOTE	After 9/25/03		EA	
Not Shown	C9007870WH	IC SEALED LH SIDE PANEL *WH*	1	EA	NO LONGER AVAILABLE
Not Shown	NOTE	After 9/25/03		EA	
3	J2002593	Oven Side Heat Sink	1	EA	Not available online / Call for pricing and availability
4	B2006749	O/S BODY PANEL-RH (VDSC3074B)	1	EA	Not available online / Call for pricing and availability
Not Shown	NOTE	Before 9/25/03		EA	
4	C9006749AL	O/S BODY PANEL-RH *AL* (VDSC)	1	EA	NO LONGER AVAILABLE
Not Shown	NOTE	Before 9/25/03		EA	
4	C9006749BK	O/S BODY PANEL-RH *BK* (VDSC)	1	EA	NO LONGER AVAILABLE
Not Shown	NOTE	Before 9/25/03		EA	
4	C9006749BT	O/S BODY PANEL-RH *BT* (VDSC)	1	EA	NO LONGER AVAILABLE, Not available online / Call for pricing and availability
Not Shown	NOTE	Before 9/25/03		EA	

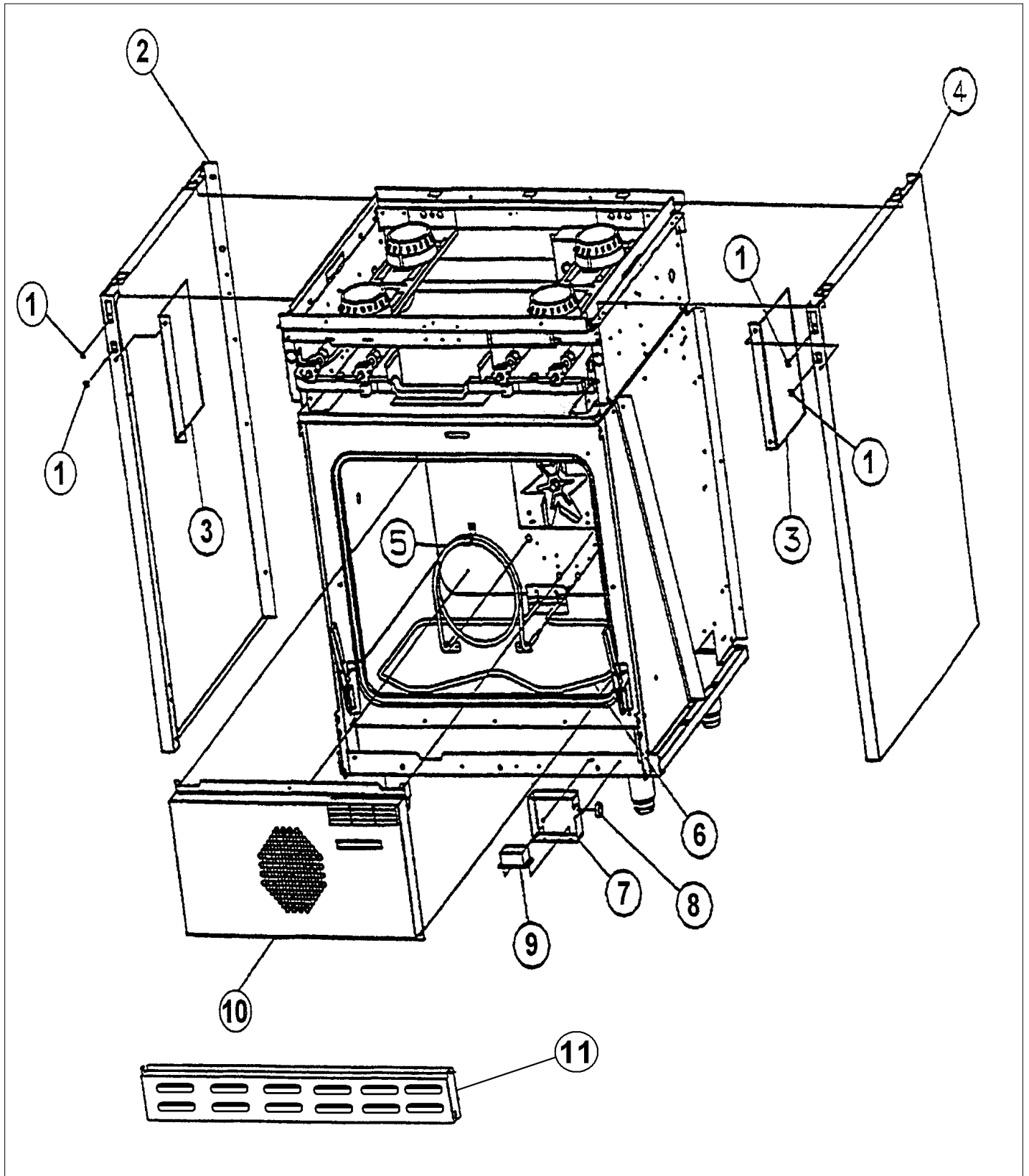


Item	Part No.	Name	Qty	Uom	NOTES
4	C9006749BU	O/S BODY PANEL-RH *BU* (VDSC)	1	EA	NO LONGER AVAILABLE
Not Shown	NOTE	Before 9/25/03		EA	
4	C9006749CB	O/S BODY PANEL-RH *CB* (VDSC)	1	EA	NO LONGER AVAILABLE, Not available online / Call for pricing and availability
Not Shown	NOTE	Before 9/25/03		EA	
4	C9006749EP	O/S BODY PANEL-RH *EP* (VDSC)	1	EA	NO LONGER AVAILABLE, Not available online / Call for pricing and availability
Not Shown	NOTE	Before 9/25/03		EA	
4	C9006749FG	O/S BODY PANEL-RH *FG* (VDSC)	1	EA	NO LONGER AVAILABLE, Not available online / Call for pricing and availability
Not Shown	NOTE	Before 9/25/03		EA	
4	C9006749GG	O/S BODY PANEL-RH *GG* (VDSC)	1	EA	NO LONGER AVAILABLE, Not available online / Call for pricing and availability
Not Shown	NOTE	Before 9/25/03		EA	
4	C9006749LE	O/S BODY PANEL-RH *LE* (VDSC)	1	EA	NO LONGER AVAILABLE, Not available online / Call for pricing and availability
Not Shown	NOTE	Before 9/25/03		EA	
4	C9006749MJ	O/S BODY PANEL-RH *MJ* (VDSC)	1	EA	NO LONGER AVAILABLE, Not available online / Call for pricing and availability
Not Shown	NOTE	Before 9/25/03		EA	
4	C9006749SG	O/S BODY PANEL-RH *SG* (VDSC)	1	EA	NO LONGER AVAILABLE, Not available online / Call for pricing and availability



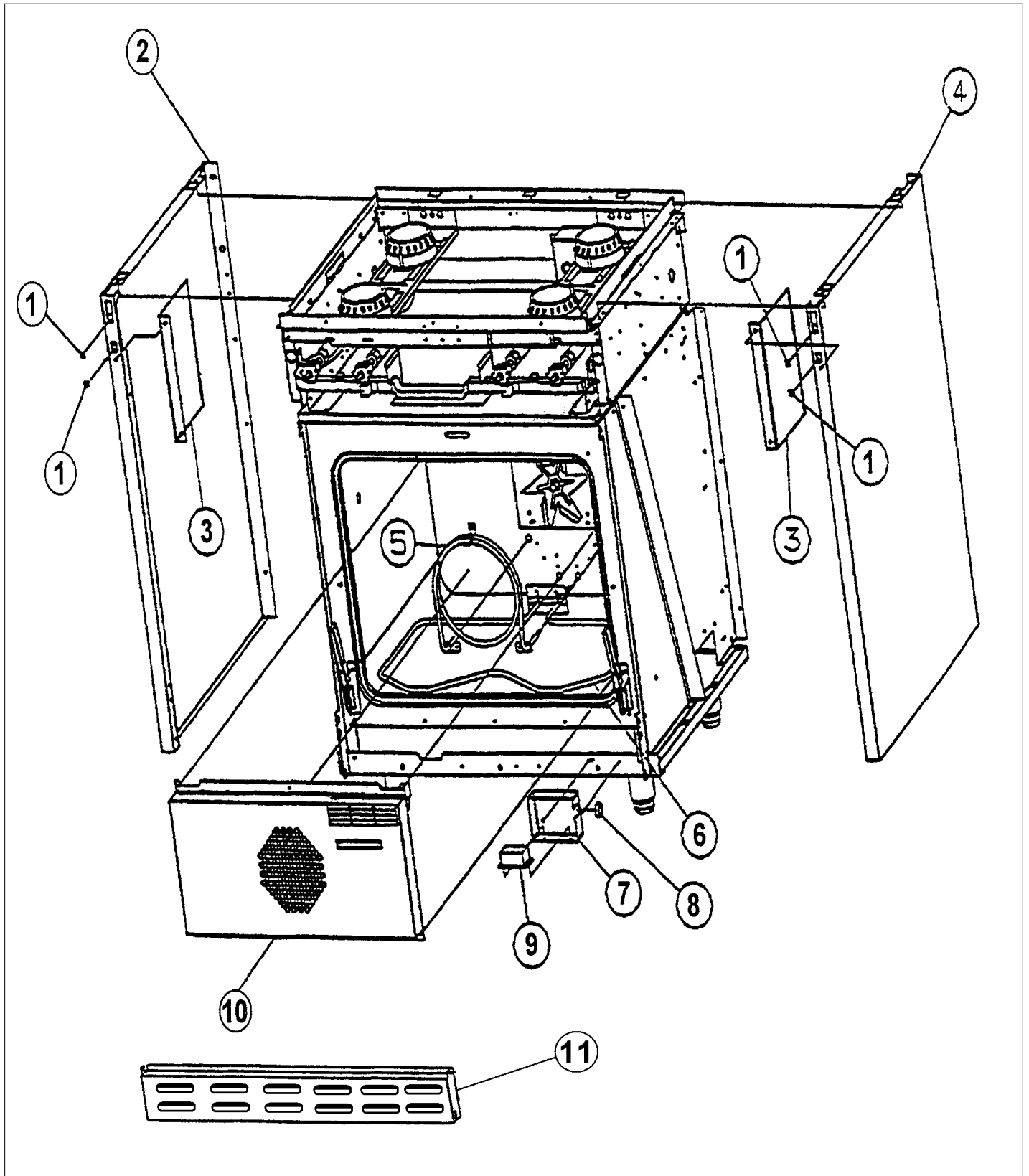


Item	Part No.	Name	Qty	Uom	NOTES
Not Shown	NOTE	Before 9/25/03		EA	
4	C9006749VB	O/S BODY PANEL-RH *VB* (VDSC)	1	EA	NO LONGER AVAILABLE, Not available online / Call for pricing and availability
Not Shown	NOTE	Before 9/25/03		EA	
4	C9006749WH	O/S BODY PANEL-RH *WH* (VDSC)	1	EA	NO LONGER AVAILABLE
Not Shown	NOTE	Before 9/25/03		EA	
4	B2007869	IC SEALED RH SIDE PANEL	1	EA	
Not Shown	NOTE	After 9/25/03		EA	
4	C9007869AL	IC SEALED RH SIDE PANEL *AL*	1	EA	NO LONGER AVAILABLE, Not available online / Call for pricing and availability
Not Shown	NOTE	After 9/25/03		EA	
4	C9007869BK	IC SEALED RH SIDE PANEL *BK*	1	EA	NO LONGER AVAILABLE
Not Shown	NOTE	After 9/25/03		EA	
4	C9007869BT	IC SEALED RH SIDE PANEL *BT*	1	EA	NO LONGER AVAILABLE
Not Shown	NOTE	After 9/25/03		EA	
4	C9007869BU	SEALED RH SIDE PANEL *BU*	1	EA	NO LONGER AVAILABLE
Not Shown	NOTE	After 9/25/03		EA	
4	C9007869CB	IC SEALED RH SIDE PANEL *CB*	1	EA	NO LONGER AVAILABLE
Not Shown	NOTE	After 9/25/03		EA	
4	C9007869EP	IC SEALED RH SIDE PANEL *EP*	1	EA	NO LONGER AVAILABLE
Not Shown	NOTE	After 9/25/03		EA	

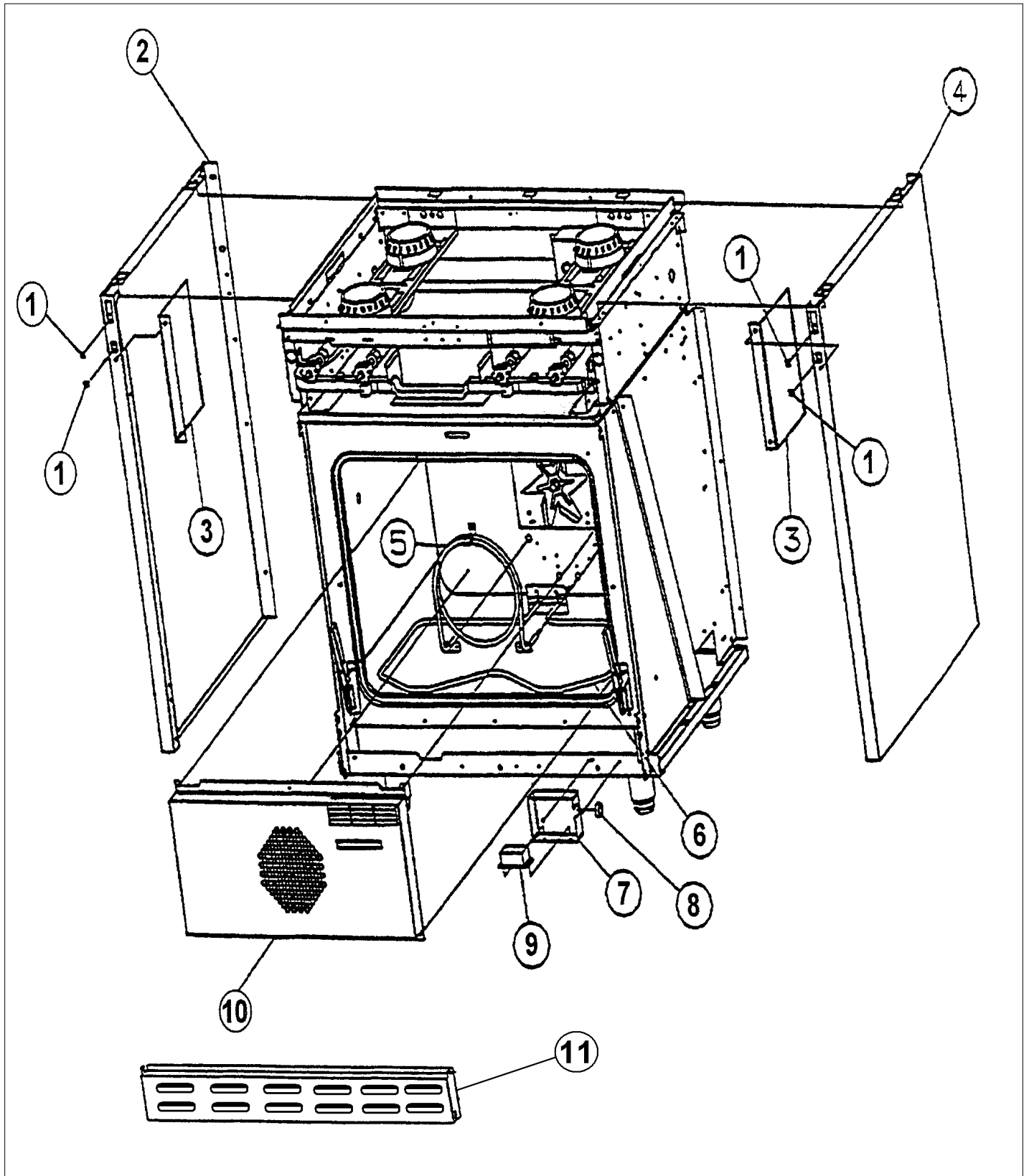




Item	Part No.	Name	Qty	Uom	NOTES
4	C9007869FG	IC SEALED RH SIDE PANEL *FG*	1	EA	NO LONGER AVAILABLE, Not available online / Call for pricing and availability
Not Shown	NOTE	After 9/25/03		EA	
4	C9007869GG	IC SEALED RH SIDE PANEL *GG*	1	EA	NO LONGER AVAILABLE, Not available online / Call for pricing and availability
Not Shown	NOTE	After 9/25/03		EA	
4	C9007869LE	IC SEALED RH SIDE PANEL *LE*	1	EA	NO LONGER AVAILABLE, Not available online / Call for pricing and availability
Not Shown	NOTE	After 9/25/03		EA	
4	C9007869MJ	IC SEALED RH SIDE PANEL *MJ*	1	EA	NO LONGER AVAILABLE, Not available online / Call for pricing and availability
Not Shown	NOTE	After 9/25/03		EA	
4	C9007869SG	IC SEALED RH SIDE PANEL *SG*	1	EA	NO LONGER AVAILABLE
Not Shown	NOTE	After 9/25/03		EA	
4	C9007869VB	IC SEALED RH SIDE PANEL *VB*	1	EA	NO LONGER AVAILABLE, Not available online / Call for pricing and availability
Not Shown	NOTE	After 9/25/03		EA	
4	C9007869WH	IC SEALED RH SIDE PANEL *WH*	1	EA	Not available online / Call for pricing and availability
Not Shown	NOTE	After 9/25/03		EA	
5	PJ010003	CONVECTION ELEMENT (VDSC) 240V	1	EA	
6	PJ010006	BAKE ELEMENT (VDSC-36) 240V	1	EA	



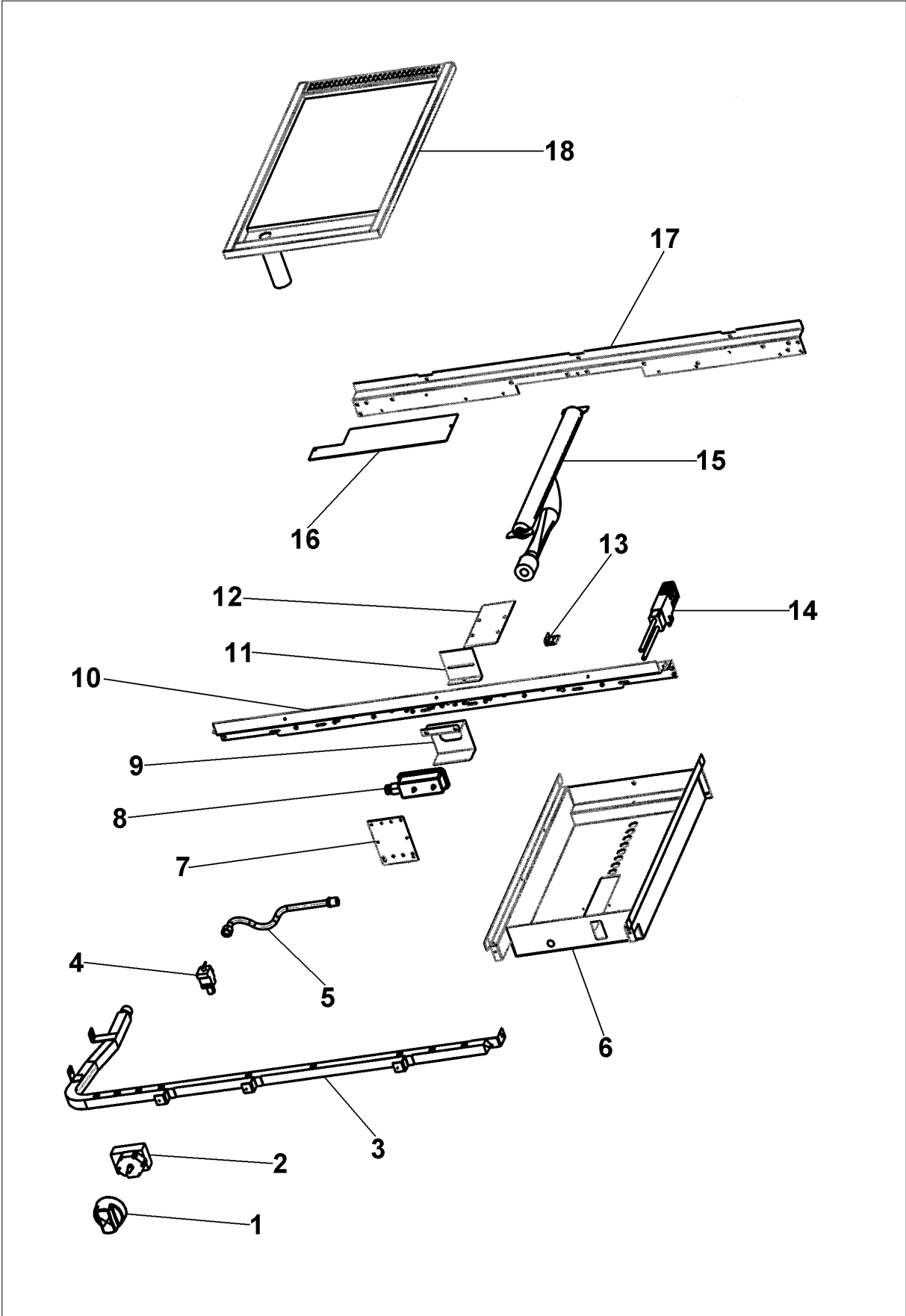
Item	Part No.	Name	Qty	Uom	NOTES
7	A2002451	FRONT RELAY BRKT (VDSC)	1	EA	
8	PD040005	SNAP BUSHING - 7/8"	1	EA	
9	PM010129	RELAY	1	EA	
10	G9102750	CONVECTION FAN COVER ASSY (VDSC36)	1	EA	NO LONGER AVAILABLE
11	B2001504	LWR ACC PNL - RPLCS B2001977	1	EA	
11	C9001504AL	LWR ACC PNL - RPLCS C9001977AL	1	EA	NO LONGER AVAILABLE
11	C9001504BK	LWR ACC PNL - RPLCS C9001977BK	1	EA	
11	C9001504BT	LWR ACC PNL - RPLCS C9001977BT	1	EA	NO LONGER AVAILABLE, Not available online / Call for pricing and availability
11	C9001504BU	LWR ACC PNL - RPLCS C9001977BU	1	EA	Not available online / Call for pricing and availability
11	C9001504CB	LWR ACC PNL - RPLCS C9001977CB	1	EA	NO LONGER AVAILABLE, Not available online / Call for pricing and availability
11	C9001504EP	LWR ACC PNL - RPLCS C9001977EP	1	EA	NO LONGER AVAILABLE
11	C9001504FG	LWR ACC PNL - RPLCS C9001977FG	1	EA	NO LONGER AVAILABLE
11	C9001504GG	LWR ACC PNL - RPLCS C9001977GG	1	EA	NO LONGER AVAILABLE, Not available online / Call for pricing and availability
11	C9001504LE	LWR ACC PNL - RPLCS C9001977LE	1	EA	NO LONGER AVAILABLE, Not available online / Call for pricing and availability
11	C9001504LN	LWR ACC PNL - RPLCS C9001977LN	1	EA	NO LONGER AVAILABLE, Not available online / Call for pricing and availability
11	C9001504MJ	LWR ACC PNL - RPLCS C9001977MJ	1	EA	Not available online / Call for pricing and availability





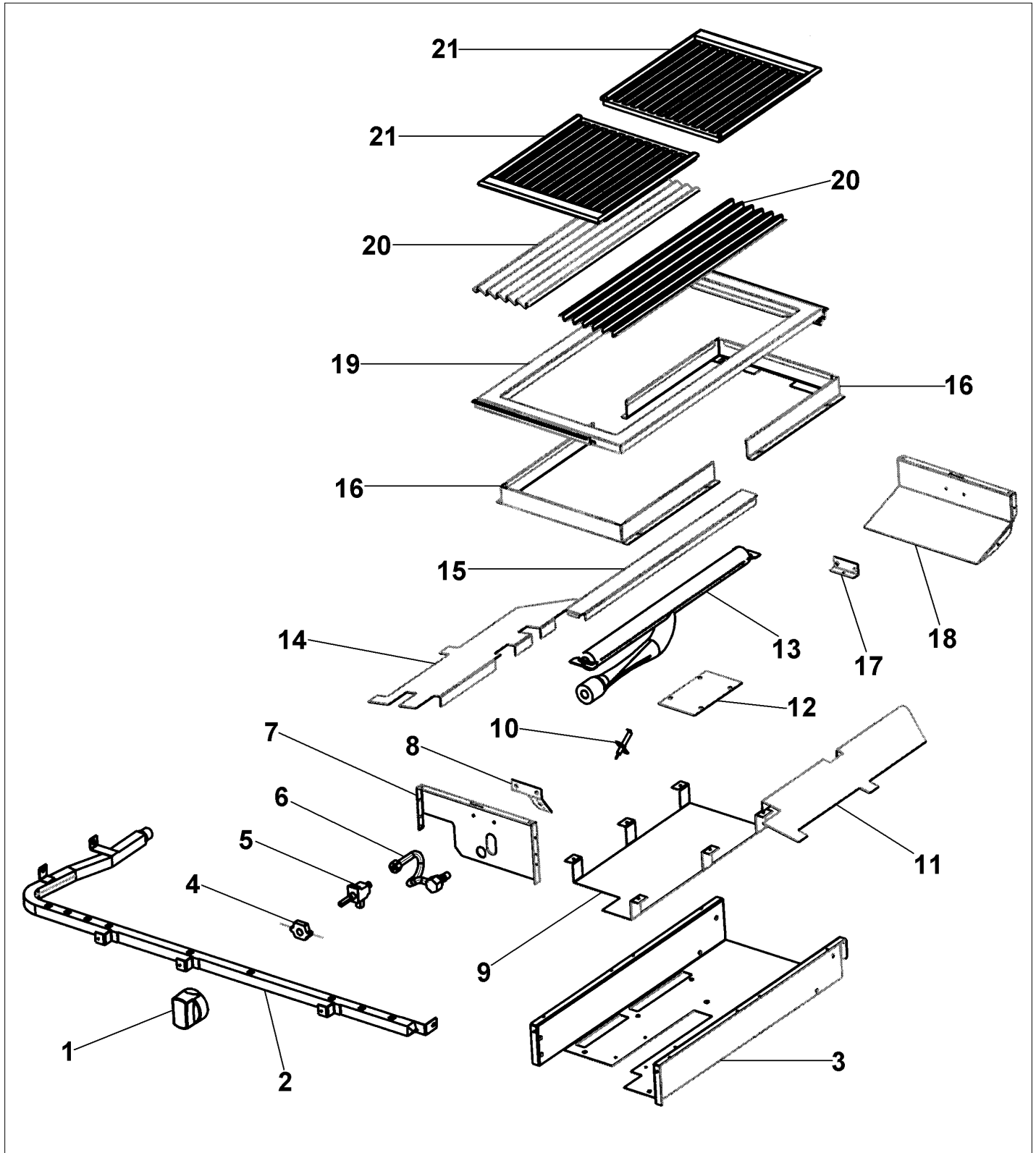
Item	Part No.	Name	Qty	Uom	NOTES
11	C9001504PL	LWR ACC PNL - RPLCS C9001977PL	1	EA	NO LONGER AVAILABLE
11	C9001504SG	LWR ACC PNL - RPCLS C9001977SG	1	EA	NO LONGER AVAILABLE, Not available online / Call for pricing and availability
11	C9001504VB	LWR ACC PNL - RPLCS C9001977VB	1	EA	NO LONGER AVAILABLE
11	C9001504WH	LWR ACC PNL - RPLCS C9001977WH	1	EA	
NI	019501-000	36" CURB BASE KIT	1	EA	

GRIDDLE ASSY



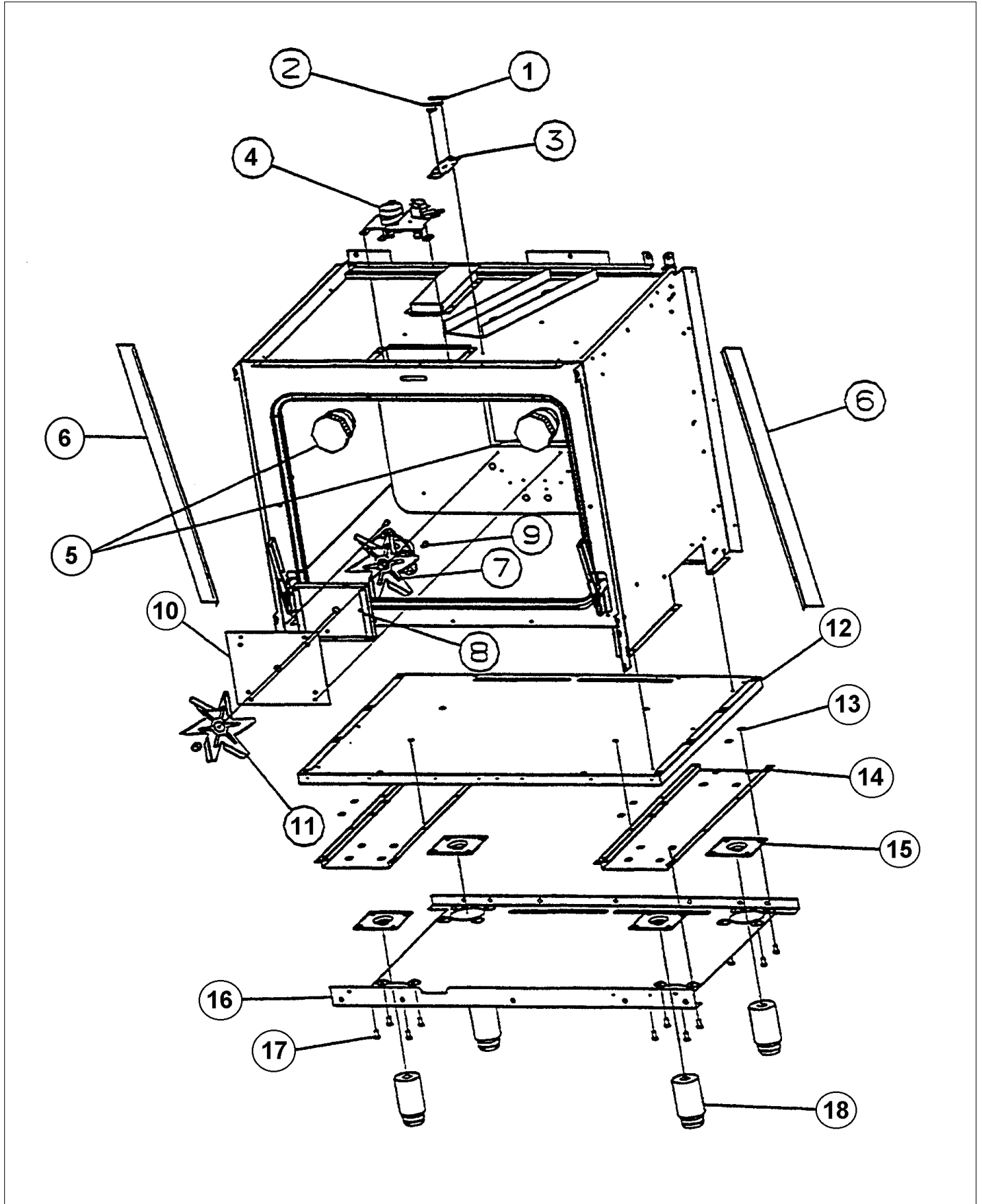
Item	Part No.	Name	Qty	Uom	NOTES
1	PB010103	GRIDDLE KNOB N/S *BK*	1	EA	
Not Shown	PB010104	GRIDDLE KNOB N/S *WH*	1	EA	
2	PB010035	THERMOSTAT BAKE / GRIDDLE	1	EA	
3	002158-000	36" UNIVERSAL MANIFOLD	1	EA	
4	003862-000	SHUTOFF VALVE (PB030002 VALVE AND BOLT KIT)	1	EA	
PB030007	007147-000	SHUT OFF VALVE	1	EA	
5	PB020116	TUBING - 10" FLEXIBLE 12 & 24"	1	EA	
6	A2009512	SEALED GRIDDLE BOX	1	EA	NO LONGER AVAILABLE
7	A1001198	THERMAL VALVE BRKT	1	EA	NO LONGER AVAILABLE, Not available online / Call for pricing and availability
8	PB010004	SINGLE SAFETY VALVE (NAT. GRIDDLE)	1	EA	
9	A2001630	GRIDDLE VALVE COVER (VGRC)	1	EA	
10	A2001105	FRONT SUPT (36")	1	EA	Not available online / Call for pricing and availability
11	A2009580	Griddle Burner Bracket	1	EA	
12	A1001636	GRIDDLE VENTURI COVER	1	EA	
13	A2001300	Griddle Igniter Bracket	1	EA	
14	PB040001	Igniter	1	EA	
15	PB050074	Griddle Burner	1	EA	
16	A1009565	HEAT SHIELD PLATE	1	EA	NO LONGER AVAILABLE, Not available online / Call for pricing and availability
17	A2001909	REAR BURNER SUPT-36"(VGRT/RC)	1	EA	NO LONGER AVAILABLE
18	003208-000	12" SEALED GRIDDLE FRAME ASSY	1	EA	

GRILL ASSY



Item	Part No.	Name	Qty	Uom	NOTES
1	PA010039	TOP GRILL KNOB*BK* (VGRC) (N/STYLE)	1	EA	
Not Shown	PA010040	TOP GRILL KNOB*WH* (VGRC) (N/STYLE)	1	EA	
2	002158-000	36" UNIVERSAL MANIFOLD	1	EA	
3	A2001852	GRILL BOX - (VGRC605)	1	EA	
4	PA020015	Spark Ignition Switch	1	EA	
5	PA010030	GRILL VALVE-(VGRT)	1	EA	
6	PB020025	TUBING-GRILL (REVISED) REP PB020021	1	EA	
7	A2001631	GRILL BOX FRONT (VGRC)	1	EA	
8	A2001633	GRILL FRONT SPARKER BRKT (VGRC)	1	EA	
9	A2001863	GRILL BTM SHIELD (VGRC605)	1	EA	
10	PA020028	SPARK IGNITER	1	EA	
11	B2001857	GRILL HEAT DEFLECTOR-RH (VGRC60)	1	EA	
12	A1001862	GRILL VENTURI COVER (VGRC605)	1	EA	
13	PB050077	GRILL BURNER	1	EA	
14	B2001856	GRILL HEAT DEFLECTOR-LH (VGRC60)	1	EA	
15	B2009866	SEALED FLAME SHIELD	1	EA	NO LONGER AVAILABLE
16	A2009809	SHIELD GRATE BRACKET	1	EA	NO LONGER AVAILABLE
17	A2001132	REAR GRILL BURNER BRKT (VGRT)	1	EA	
18	A2001855	GRILL BACK - (VGRC605)	1	EA	
19	G9109811	GRILL SUPT ASSY *BK*	1	EA	
20	E9101130BK	GRILL SMOKE GENERATOR	1	EA	
21	PA060058	GRILL GRATE - MATT *BK* RE PA060028	1	EA	
Not Shown	PA060059	GRILL GRATE -MATT *GR* RE PA060029	1	EA	

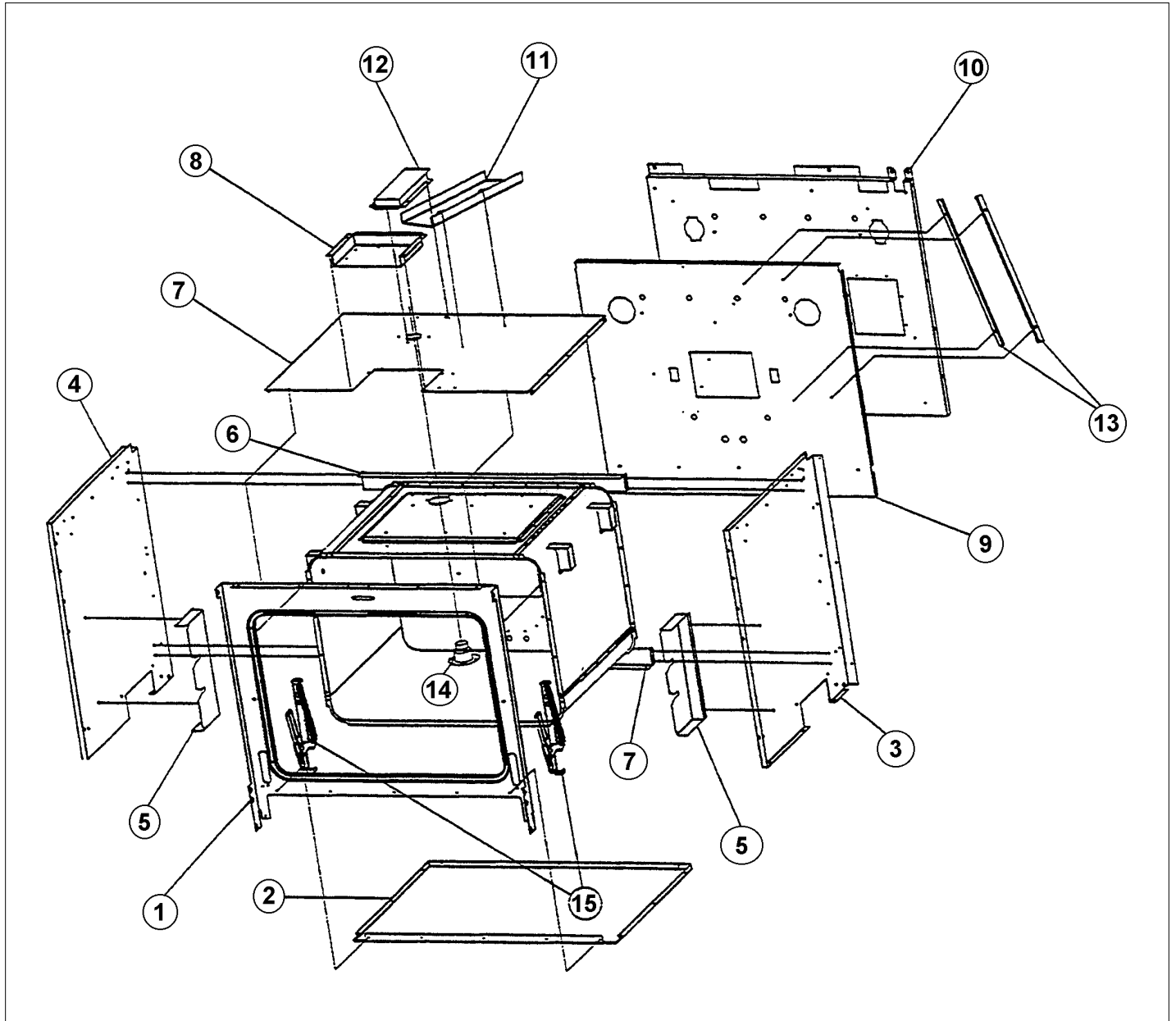
OUTER OVEN CAVITY TOP - BTM



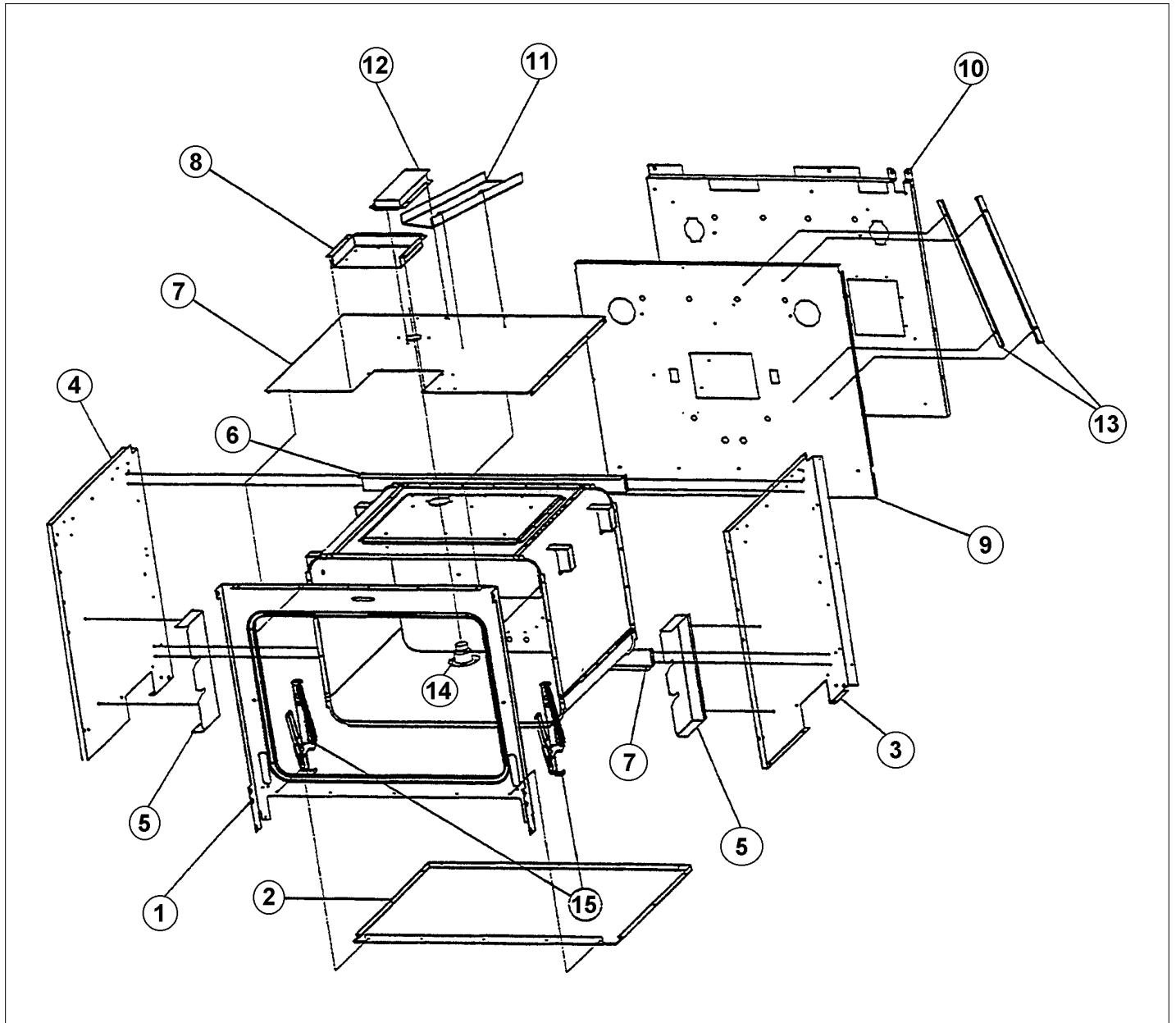


Item	Part No.	Name	Qty	Uom	NOTES
1	PJ030005	SWITCH (HIGH-LIMIT) VDSC		EA	
2	PJ030006	SWITCH (COOLING FAN)		EA	
3	A1002456	THERMO-DISC BRKT (VDSC)		EA	
4	PE050053	DR LATCH REPL PE050020		EA	
5	031449-000	LAMP, ASM		EA	
6	A2002475	SIDE PANEL DIVERTER (VDSC)		EA	NO LONGER AVAILABLE
7	PE050005	CONVECTION FAN ASSY		EA	
8	A2002595	CONVECTION FAN BOX (VDSC)		EA	
9	PD020003	#10 X 1/2 T(A) HEX WASHER HEAD		EA	
10	A1002596	CONVECTION FAN COVER (VDSC)		EA	
11	PE050035	CONVECTION FAN BLADE		EA	
Not Shown	NOTE	(MUST ORDER ITEM 7)		EA	
12	A2002784	BTM INSUL. SHIELD (VDSC365)		EA	NO LONGER AVAILABLE
13	PD030029	SELF RETAINING NUT (1/4-20)		EA	
14	A2002482	LEG BRACE (VDSC)		EA	NO LONGER AVAILABLE
15	PC030007	LEG PLATE - 3/4" THREADED HOLE		EA	
16	A2002783	MAIN BTM (VDSC365)		EA	NO LONGER AVAILABLE
17	PD010006	HEX HD. BOLT - 1/4-20 X 1/2		EA	
18	PC030017	4" LEG ASSY		EA	

OVEN CAV INSTLN RTNR ASSY



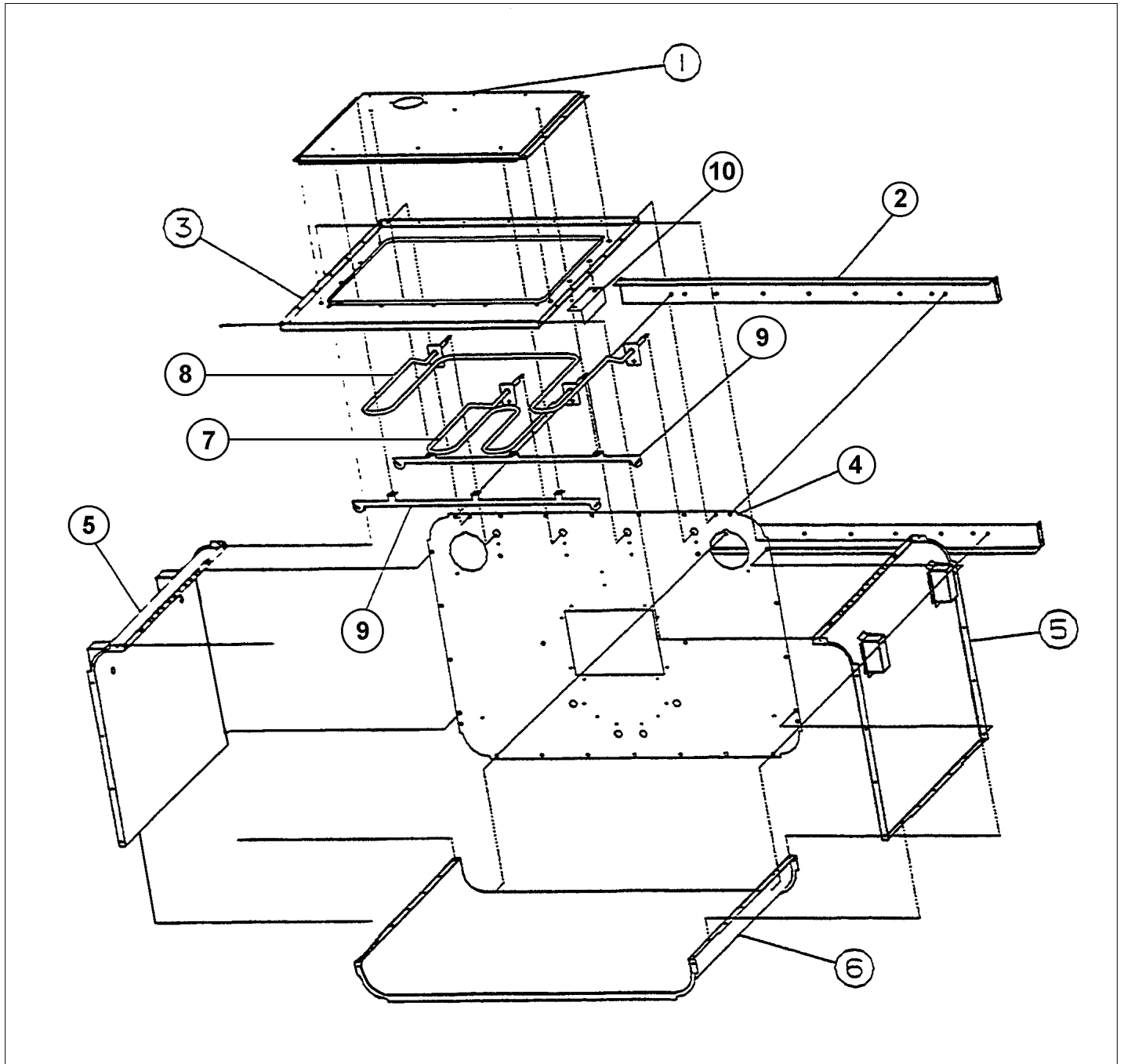
Item	Part No.	Name	Qty	Uom	NOTES
1	G9102744	OVEN FRONT FRAME ASSY (VDSC36)	1	EA	Not available online / Call for pricing and availability
2	A2002785	OVEN BTM.INSUL. RETAINER (VDSC365)	1	EA	NO LONGER AVAILABLE, Not available online / Call for pricing and availability
3	A2002155	OVEN SIDE INSUL.RETAINER-RH(VDSC)	1	EA	NO LONGER AVAILABLE, Not available online / Call for pricing and availability
4	A2002156	OVEN SIDE INSUL.RETAINER-LH(VDSC)	1	EA	NO LONGER AVAILABLE, Not available online / Call for pricing and availability
5	A2002183	HINGE INSULATION COVER (VDSC)	1	EA	
6	A2002789	REAR OVEN SUPT (VDSC365)	1	EA	NO LONGER AVAILABLE, Not available online / Call for pricing and availability
7	A2002791	OVEN TOP INSUL. RETAINER (VDSC365)	1	EA	NO LONGER AVAILABLE, Not available online / Call for pricing and availability
8	A2002168	DOOR LATCH BRKT (VDSC)	1	EA	
9	A2002786	OVEN BACK INSUL. RETAINER (VDSC365)	1	EA	NO LONGER AVAILABLE, Not available online / Call for pricing and availability
10	A2002787	O/S BACK (VDSC365)	1	EA	NO LONGER AVAILABLE
11	A2002450	LATCH COOLING DUCT (VDSC)	1	EA	NO LONGER AVAILABLE, Not available online / Call for pricing and availability
12	A2002479	SMOKE ELIMINATOR VENT (VDSC)	1	EA	
13	A2002477	AIR WASH ANGLE (VDSC)	1	EA	NO LONGER AVAILABLE, Not available online / Call for pricing and availability
14	PM010014	SMOKE ELIMINATOR (VDSC)	1	EA	





Item	Part No.	Name	Qty	Uom	NOTES
15	PC020126	HINGE ASSEMBLY	1	EA	

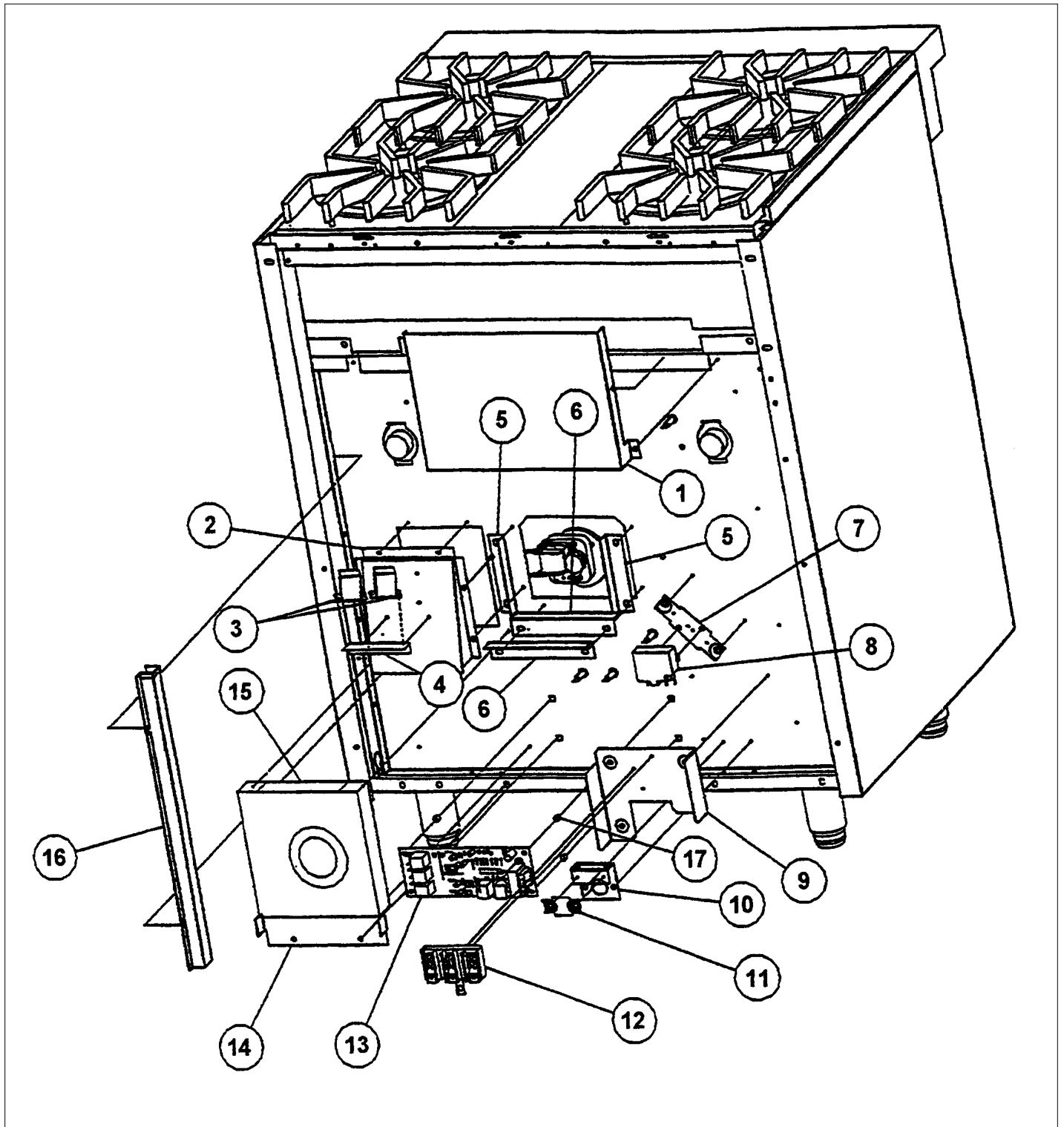
OVEN CAVITY ASSY





Item	Part No.	Name	Qty	Uom	NOTES
1	B2002167	BROILER TOP (VDSC)	1	EA	NO LONGER AVAILABLE
2	A2002789	REAR OVEN SUPT (VDSC365)	1	EA	NO LONGER AVAILABLE, Not available online / Call for pricing and availability
3	G9102665	OVEN TOP LINER ASSY (VDSC36)	1	EA	NO LONGER AVAILABLE, Not available online / Call for pricing and availability
4	E9102742	OVEN BACK (VDSC36)	1	EA	NO LONGER AVAILABLE, Not available online / Call for pricing and availability
5	G9102736	OVEN SIDE ASSY (VDSC)	1	EA	NO LONGER AVAILABLE, Not available online / Call for pricing and availability
6	E9102152	OVEN BTM (VDSC)	1	EA	NO LONGER AVAILABLE
7	PJ010001	BROIL ELEMENT 240V	1	EA	
8	PJ010002	BROIL ELEMENT(MAXI)-SIDE (VDSC)240V	1	EA	
9	B2002185	BROIL ELEMENT BRKT (VDSC)	1	EA	
NI	PD020003	#10 X 1/2 T(A) HEX WASHER HEAD	1	EA	
NI	PD020048	NO.10 X 1/2 TEK 410 SS SCREW	1	EA	
10	B2002489	THERMAL BULB SHIELD (VDSC)	1	EA	

REAR PANEL ASSY



Item	Part No.	Name	Qty	Uom	NOTES
1	A2002790	AIR FLUE (LARGE-BACK) VDSC365)	1	EA	NO LONGER AVAILABLE
2	A2002180	COOLING FAN HOUSING (VDSC)	1	EA	NO LONGER AVAILABLE
3	PM010025	RELAY (DOUBLE POLE- DOUBLE THROW)	1	EA	
4	A2007827	RELAY MOUNTING BRACKET	1	EA	NO LONGER AVAILABLE, Not available online / Call for pricing and availability
5	A2001746	SIDE FAN SHIELD	1	EA	Not available online / Call for pricing and availability
6	A2008467	INSULATION SHIELD	1	EA	
7	A1002456	THERMO-DISC BRKT (VDSC)	1	EA	
8	PJ030002	AUTO RESET (SELF-CLEAN) VDSC	1	EA	
9	A2002193	ELECTRICAL MOUNTING BRKT (VDSC)	1	EA	NO LONGER AVAILABLE
10	A2002195	POWER CORD MOUNTING BRKT (VDSC)	1	EA	
11	A1002457	POWER CORD MOUNTING STRAP (VDSC)	1	EA	
12	PE070147	TERMINAL BLOCK (VDSC)	1	EA	
13	PE070148	SELF-CLEAN BOARD/TIMER (VDSC)	1	EA	
14	A2002579	WIRE SHIELD (VDSC)	1	EA	Not available online / Call for pricing and availability
15	PE050026	COOLING FAN (VDSC)	1	EA	
16	A2000210	WIRE CHANNEL	1	EA	NO LONGER AVAILABLE, Not available online / Call for pricing and availability
17	PD030033	GROMMET NUT-ROUND HD. #8 X .500DIA.	1	EA	
NI	PE070308	PRE-HEAT BOARD	1	EA	



Appendix A:Pages Index

4G WIRING 1
4Q WIRING 2
6B WIRING 3
BURNER BOX ASSY 4
DOOR ASSY 5
EXTERIOR ASSY 6
GRIDDLE ASSY 7
GRILL ASSY 8
OUTER OVEN CAVITY TOP - BTM 9
OVEN CAV INSTLN RTNR ASSY 10
OVEN CAVITY ASSY 11
REAR PANEL ASSY 12



Appendix B:Parts Index

000268-000	5	A2002450	10
000594-000	5	A2002451	6
000623-000	5	A2002475	9
002158-000	4, 7, 8	A2002477	10
003208-000	7	A2002479	10
003517-000	4	A2002482	9
003862-000	7	A2002497	5
007147-000	7	A2002498	5
019501-000	6	A2002499	5
031449-000	9	A2002579	12
050172-000	4	A2002595	9
A1001198	7	A2002783	9
A1001636	7	A2002784	9
A1001862	8	A2002785	10
A1002456	9, 12	A2002786	10
A1002457	12	A2002787	10
A1002596	9	A2002789	10, 11
A1009565	7	A2002790	12
A2000210	12	A2002791	10
A2001105	4, 7	A2002800	5
A2001132	8	A2006748	4
A2001300	7	A2007827	12
A2001630	7	A2008467	12
A2001631	8	A2009512	7
A2001633	8	A2009580	7
A2001746	12	A2009809	8
A2001852	8	B2001504	6
A2001855	8	B2001856	8
A2001863	8	B2001857	8
A2001909	7	B2002167	11
A2002155	10	B2002185	11
A2002156	10	B2002489	11
A2002168	10	B2002798	5
A2002180	12	B2006724	4, 4
A2002183	10	B2006749	6
A2002189	5	B2006750	6
A2002193	12	B2007868	4, 4
A2002195	12	B2007869	6
A2002367	5	B2007870	6
A2002382	4	B2009866	8
		B3009593	4



B9203171	4	C9006749FG	6
B9203172	4	C9006749GG	6
B9203173	4	C9006749LE	6
C9001504AL	6	C9006749MJ	6
C9001504BK	6	C9006749SG	6
C9001504BT	6	C9006749VB	6
C9001504BU	6	C9006749WH	6
C9001504CB	6	C9006750AL	6
C9001504EP	6	C9006750BK	6
C9001504FG	6	C9006750BT	6
C9001504GG	6	C9006750BU	6
C9001504LE	6	C9006750CB	6
C9001504LN	6	C9006750EP	6
C9001504MJ	6	C9006750FG	6
C9001504PL	6	C9006750GG	6
C9001504SG	6	C9006750LE	6
C9001504VB	6	C9006750MJ	6
C9001504WH	6	C9006750SG	6
C9002178	5	C9006750VB	6
C9002179	5	C9006750WH	6
C9002798AL	5	C9007869AL	6
C9002798BK	5	C9007869BK	6
C9002798BT	5	C9007869BT	6
C9002798BU	5	C9007869BU	6
C9002798CB	5	C9007869CB	6
C9002798EP	5	C9007869EP	6
C9002798FG	5	C9007869FG	6
C9002798GG	5	C9007869GG	6
C9002798LE	5	C9007869LE	6
C9002798LN	5	C9007869MJ	6
C9002798MJ	5	C9007869SG	6
C9002798PL	5	C9007869VB	6
C9002798SG	5	C9007869WH	6
C9002798VB	5	C9007870AL	6
C9002798WH	5	C9007870BK	6
C9006749AL	6	C9007870BT	6
C9006749BK	6	C9007870BU	6
C9006749BT	6	C9007870CB	6
C9006749BU	6	C9007870EP	6
C9006749CB	6	C9007870FG	6
C9006749EP	6	C9007870GG	6



C9007870LE	6	G3202805BKBR	5
C9007870MJ	6	G3202805BT	5
C9007870SG	6	G3202805BTBR	5
C9007870VB	6	G3202805BU	5
C9007870WH	6	G3202805BUBR	5
C9306725BR	4, 4	G3202805CB	5
C9307868BR	4, 4	G3202805CBBR	5
C9309593PVD	4	G3202805EP	5
E9101130BK	8	G3202805EPBR	5
E9102152	11	G3202805FG	5
E9102742	11	G3202805FGBR	5
E9108438AL	4	G3202805GG	5
E9108438BK	4	G3202805GGBR	5
E9108438BT	4	G3202805LE	5
E9108438CB	4	G3202805LEBR	5
E9108438EP	4	G3202805MJ	5
E9108438FG	4	G3202805MJBR	5
E9108438GG	4	G3202805SG	5
E9108438LE	4	G3202805SGBR	5
E9108438MJ	4	G3202805SS	5
E9108438SG	4	G3202805SSBR	5
E9108438VB	4	G3202805VB	5
E9108438WH	4	G3202805VBBR	5
E9108439AL	4	G3202805WH	5
E9108439BK	4	G3202805WHBR	5
E9108439BT	4	G3209546	4
E9108439CB	4	G3209546AL	4
E9108439EP	4	G3209546BT	4
E9108439FG	4	G3209546CB	4
E9108439GG	4	G3209546EP	4
E9108439LE	4	G3209546FG	4
E9108439MJ	4	G3209546GG	4
E9108439SG	4	G3209546LE	4
E9108439VB	4	G3209546MJ	4
E9108439WH	4	G3209546SG	4
G30010696	4	G3209546VB	4
G3009151	4	G3209546WH	4
G3009714	4	G3209547	4
G3202805AL	5	G3209547AL	4
G3202805ALBR	5	G3209547BT	4
G3202805BK	5	G3209547CB	4



G3209547EP	4	PA060054	4
G3209547FG	4	PA060058	8
G3209547GG	4	PA060059	8
G3209547LE	4	PA060062	4
G3209547MJ	4	PA070003	4
G3209547SG	4	PA080075	4
G3209547VB	4	PA080083	4
G3209547WH	4	PA080086	4
G4000936	1, 2	PB010004	7
G40011254	1	PB010035	7
G40011256	1, 2, 3	PB010103	7
G40011259	3	PB010104	7
G4001656	1, 2	PB010129	4
G4002752	1, 2	PB010130	4
G4009709	1, 2	PB010132	4
G4009710	1, 2	PB010172	4
G50012679	4	PB010206	4
G50013882	4	PB010207	4
G50013883	4	PB010230	4
G50013884	4	PB020025	8
G9102665	11	PB020116	7
G9102736	11	PB020162	4
G9102744	10	PB020192	4
G9102746	5	PB020193	4
G9102748	5	PB040001	7
G9102750	6	PB040170	4
G9109811	8	PB040194	4
G93011459PVD	4	PB040217	4
J1002799	5	PB050063	4
J2002593	4, 6	PB050074	7
PA010030	8	PB050077	8
PA010039	8	PB050081	4, 4
PA010040	8	PB070024	5
PA010100	4	PB070034	5
PA020015	4, 8	PC020126	10
PA020028	8	PC030007	9
PA020037	4	PC030017	9
PA020045	4	PD010006	9
PA020047	4	PD020003	9, 11
PA020048	4	PD020048	11
PA050080	4	PD030005	6



PD030029	9	PJ030005	9
PD030033	12	PJ030006	9
PD040005	6	PK000009	4
PE010030	5	PK000010	4
PE010031	5	PM010014	10
PE010068	5	PM010025	12
PE010076	5	PM010129	6
PE030001PVD	5	PS500032	4
PE030006	5		
PE030013PVD	5		
PE050005	9		
PE050016	4		
PE050017	4		
PE050026	12		
PE050035	9		
PE050053	9		
PE060030	5		
PE060031	5		
PE060039	5		
PE060045	5		
PE070143	1, 2, 3		
PE070145	1, 2, 3		
PE070147	12		
PE070148	12		
PE070183	1, 2, 3		
PE070308	12		
PE070452	1, 2, 3		
PE070454	3		
PE070455	1		
PE070458	1, 2, 3, 4		
PE070714	3		
PE070715	1, 2		
PE070717	3		
PE070719	1, 2		
PJ010001	11		
PJ010002	11		
PJ010003	6		
PJ010006	6		
PJ030001	4		
PJ030002	12		
PJ030003	4		