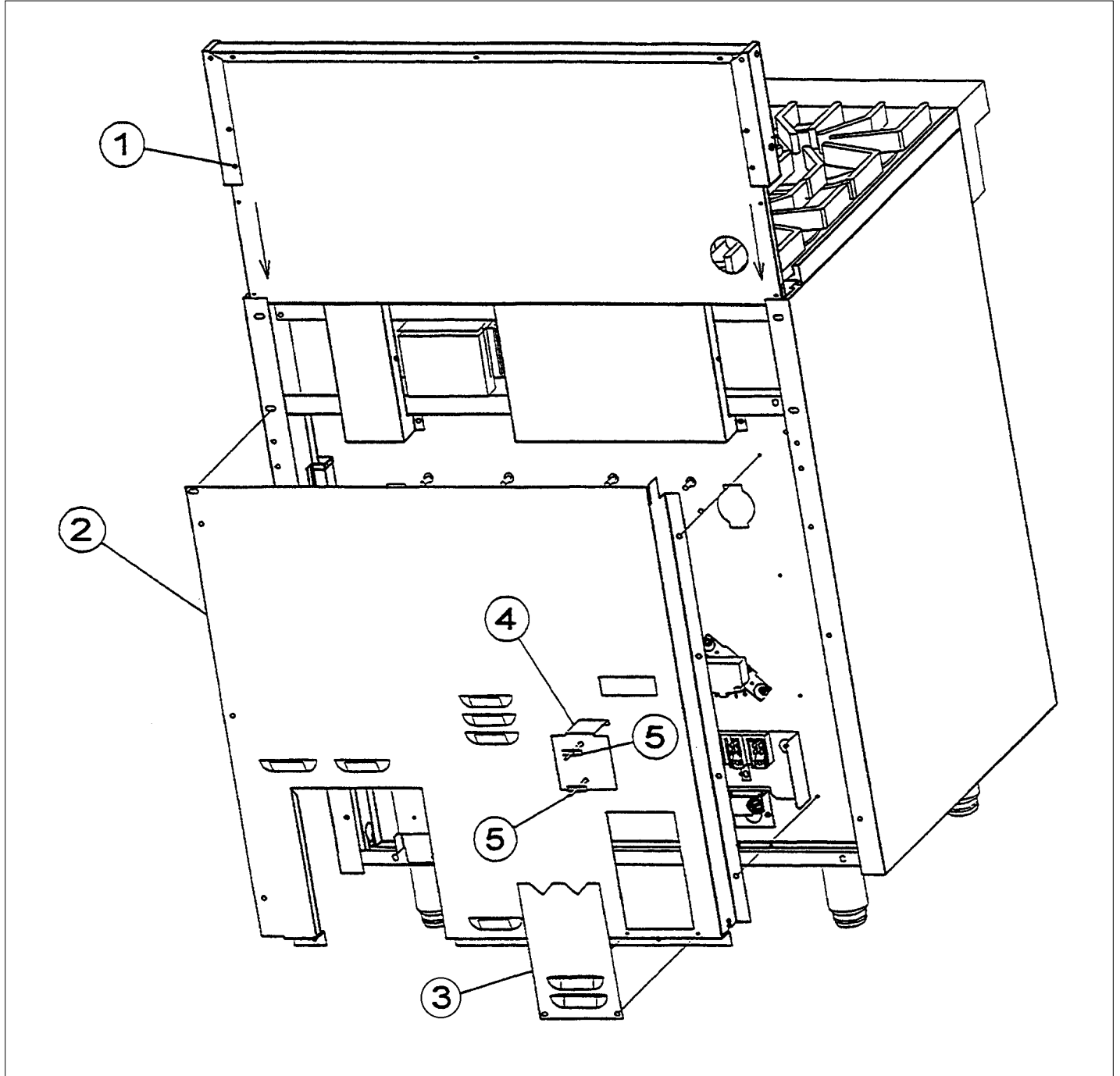


VDSC365

BACKGUARD-BACK COVER ASSY	1
BURNER BOX SUBASSY (VIEW 1)	2
BURNER BOX SUBASSY (VIEW 2)	3
DOOR ASSY	4
DRIP TRAY ASSY	5
EXTERIOR ASSY (VIEW 1)	6
EXTERIOR ASSY (VIEW 2)	7
EXTERIOR ASSY (VIEW 3)	8
GRIDDLE ASSY	9
GRILL ASSY	10
OUTER OVEN CAVITY (TOP-BTM)	11
OVEN CAVITY ASSY	12
OVEN CAVITY INSUL. RETNR. ASSY	13
REAR PANEL ASSY	14
Appendix A:Pages Index	A
Appendix B:Parts Index	B

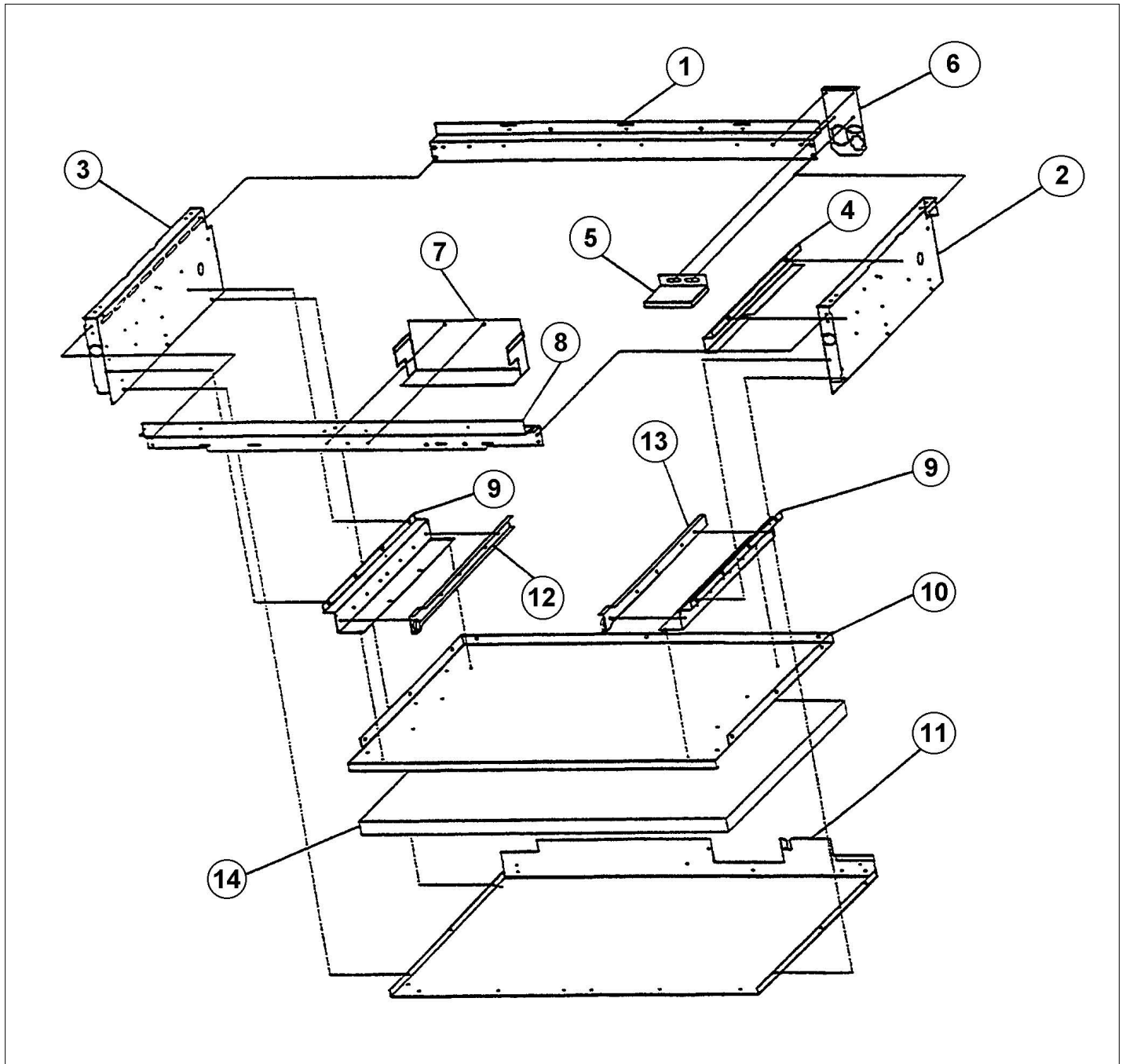
BACKGUARD-BACK COVER ASSY





Item	Part No.	Name	Qty	Uom	NOTES
1	SALES ITEM	BACKGUARD	1	EA	
2	A2004295	LOWER BACK COVER (VDSC365)	1	EA	NO LONGER AVAILABLE, Not available online / Call for pricing and availability
3	A2002454	BACK, COVER ACCESS DOOR	1	EA	
4	A2002654	ANTI-TIP DEVICE (VDSC)	1	EA	
5	PD010018	TOGGLE BOLT (3/16" X 2")	1	EA	
NI	A2004297	UPPER BACK COVER (VDSC305)	1	EA	NO LONGER AVAILABLE

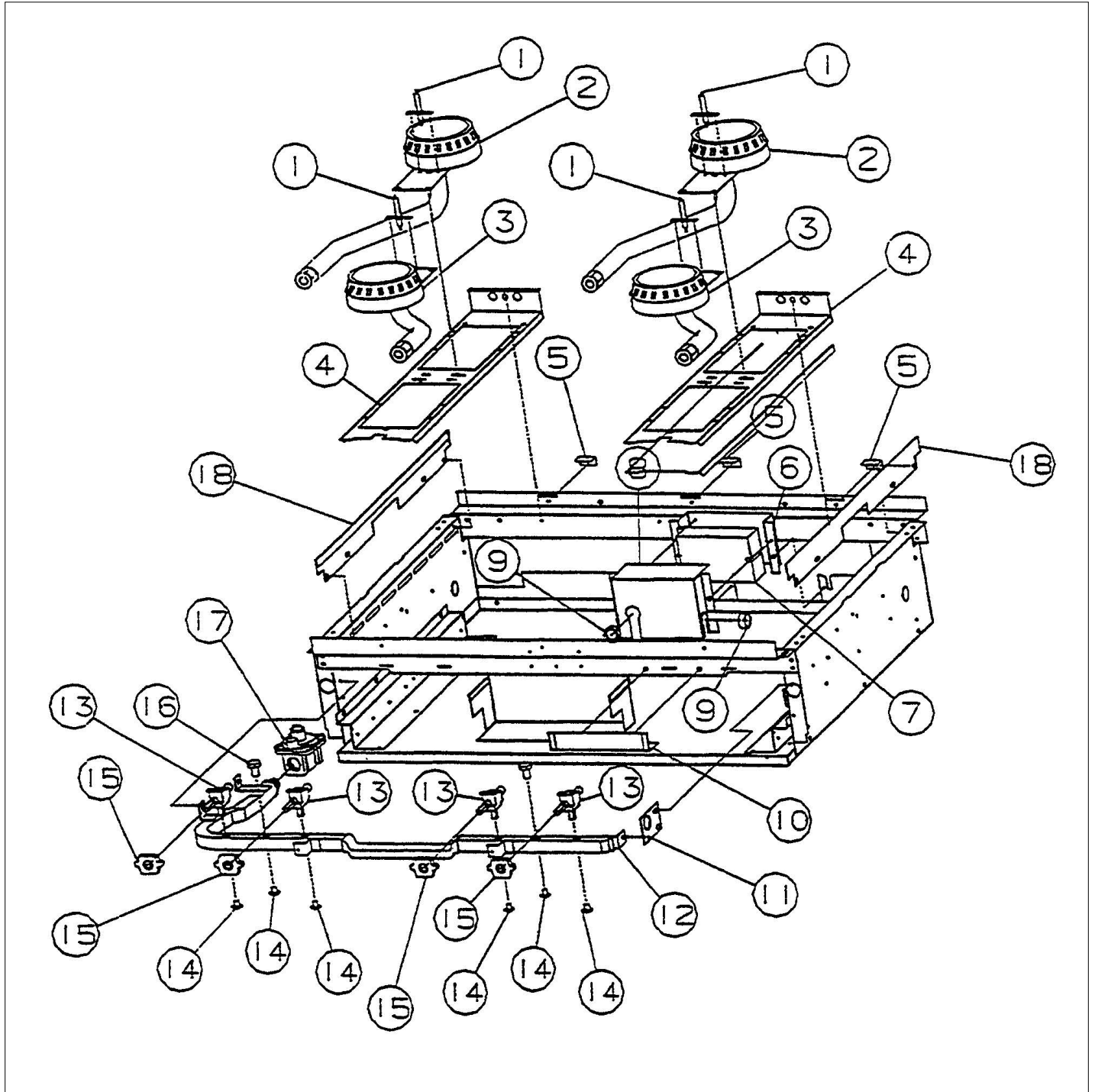
BURNER BOX SUBASSY (VIEW 1)





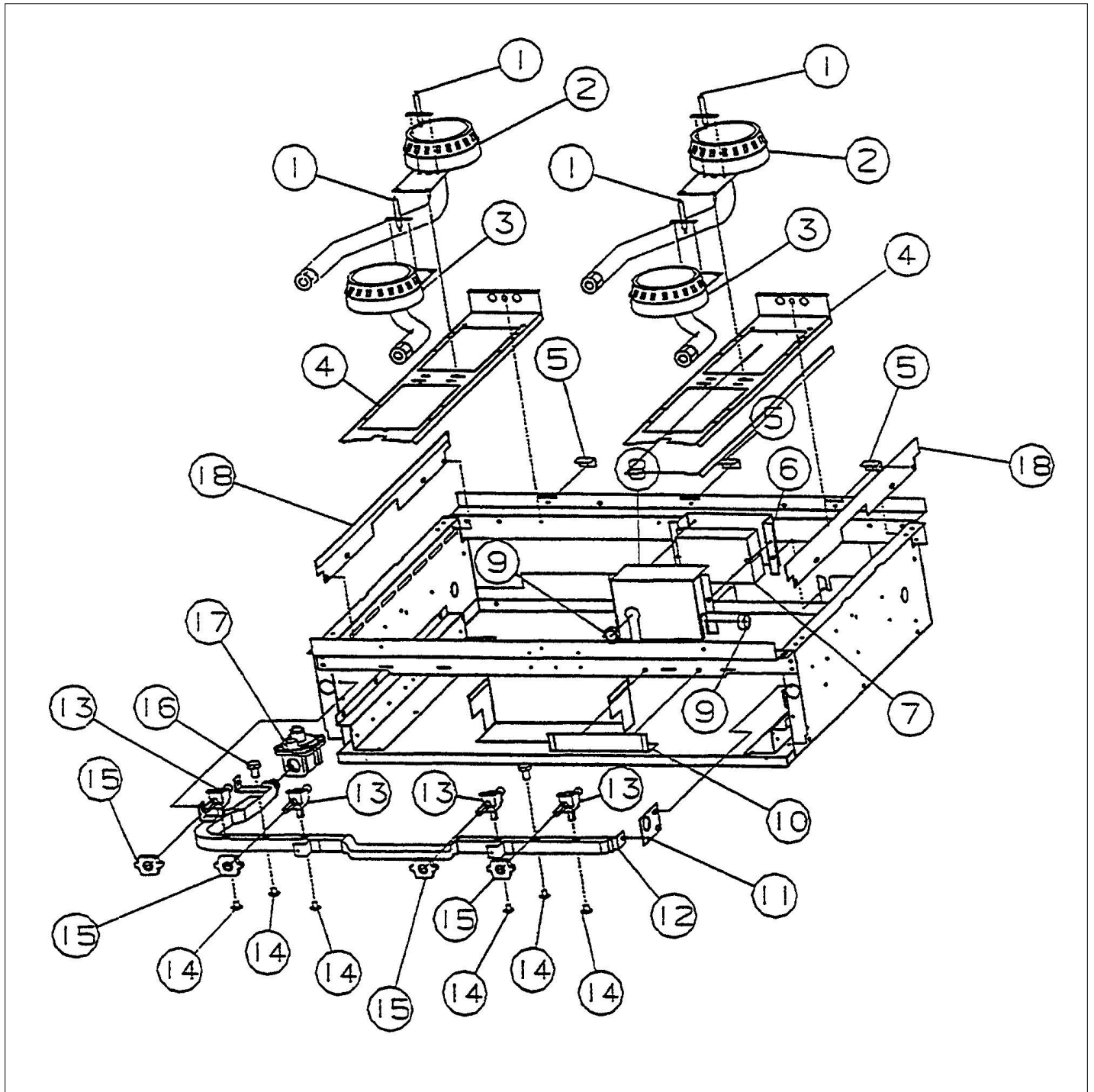
Item	Part No.	Name	Qty	Uom	NOTES
1	A2002382	REAR BURNER SUPT (VGSS36)	1	EA	
2	A2002490	BURNER BOX SIDE RH (VDSC)	1	EA	NO LONGER AVAILABLE
3	A2002491	BURNER BOX SIDE LH (VDSC)	1	EA	NO LONGER AVAILABLE, Not available online / Call for pricing and availability
4	A2000210	WIRE CHANNEL	1	EA	NO LONGER AVAILABLE, Not available online / Call for pricing and availability
5	A2000667	SHIELD - OUTLET VRTR	1	EA	NO LONGER AVAILABLE
6	A1002492	PLUG BRKT	1	EA	NO LONGER AVAILABLE, Not available online / Call for pricing and availability
7	A2002323	CTRL PAN ELECT. SHIELD (VDSC)	1	EA	
7	A2001629	THERMOSTAT COVER (VGRC485/365)	1	EA	NO LONGER AVAILABLE, Not available online / Call for pricing and availability
8	A2001105	FRONT SUPT (36")	1	EA	Not available online / Call for pricing and availability
9	A2001160	DRIP TRAY GUIDE BRKT (VGRT)	1	EA	
10	A2002793	INSULATION PANEL (VDSC-36")	1	EA	NO LONGER AVAILABLE, Not available online / Call for pricing and availability
11	A2002792	BURNER BOX BTM (VDSC-36")	1	EA	
12	PK000007	DRIP TRAY GUIDE - LH (VGRT)	1	EA	NO LONGER AVAILABLE
13	PK000008	Drip Tray Guide - RH	1	EA	NO LONGER AVAILABLE
14	PB070034	INSULATION-TRS-10 1" X 20" X 77' ROLL	1	EA	

BURNER BOX SUBASSY (VIEW 2)





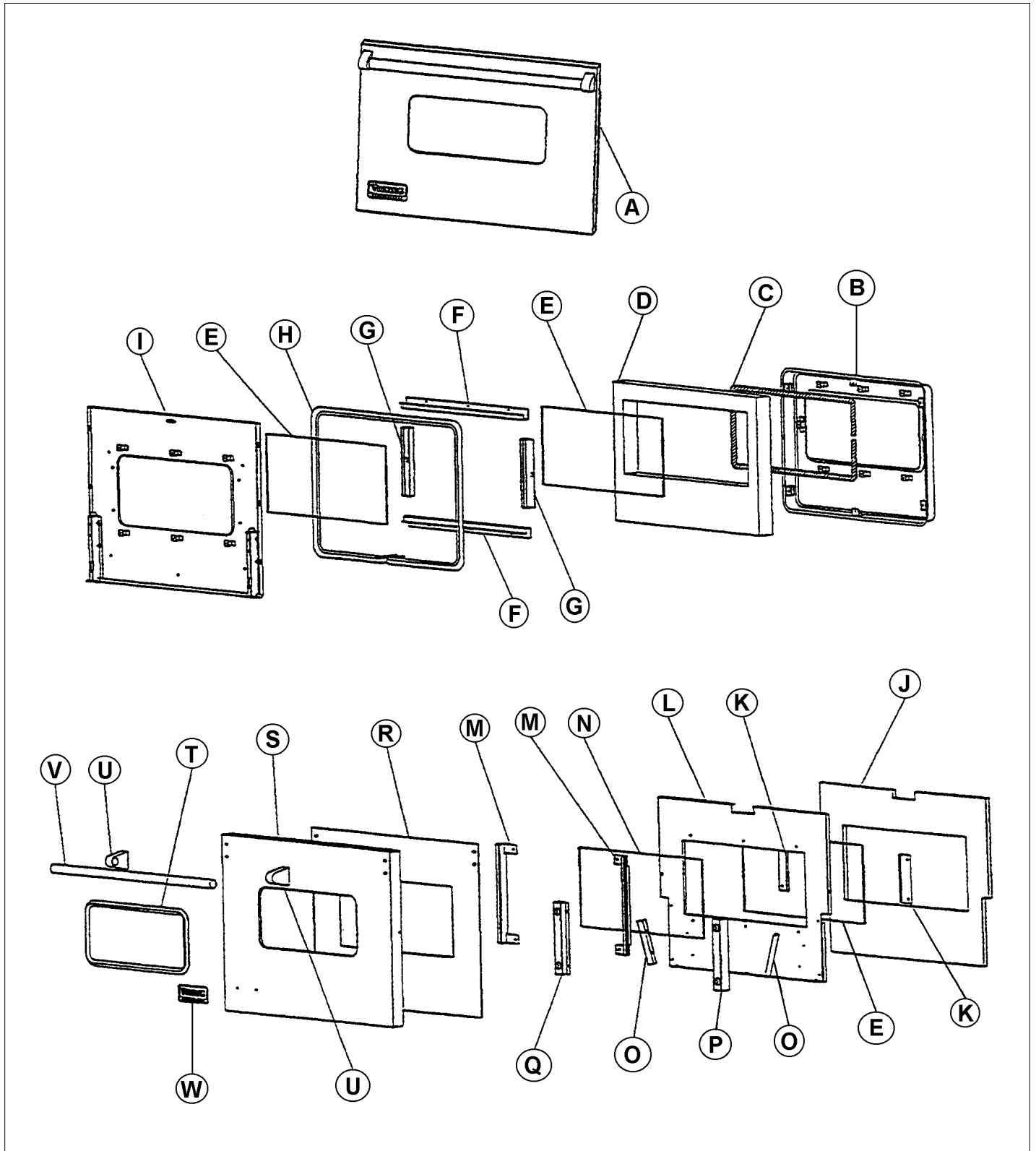
Item	Part No.	Name	Qty	Uom	NOTES
1	PA020028	SPARK IGNITER		EA	
2	PA080036	TOP BURNER REAR REPL PA080008		EA	
3	PA080037	TOP BURNER FRONT REPL PA080007		EA	
4	A2001112	BURNER SUPT (VGRT)		EA	
5	A2001147	GRATE SUPT ANGLE (VGRT)		EA	
6	A2002801	SPARK MODULE PLATE (VDSC36/48)		EA	NO LONGER AVAILABLE, Not available online / Call for pricing and availability
7	PA020041	TYTRONICS 0+4 SPARK MODULE		EA	See 2018-02P
8	A2002802	SPARK MODULE COVER (VDSC36/48)		EA	
9	PD040005	SNAP BUSHING - 7/8"		EA	
10	A2002663	WIRE HARNESS CHANNEL RH VDSC		EA	
11	A1001138	MANIFOLD BRKT		EA	NO LONGER AVAILABLE, Not available online / Call for pricing and availability
12	002158-000	36" UNIVERSAL MANIFOLD		EA	
13	G50012681	TOP BURNER VALVE KIT (ALUMINUM VALVE REPLACEMENT)		EA	
Not Shown	NOTE	(BEFORE 08/09/02)		EA	
NI	G50012678	TOP BURNER VALVE KIT (BRASS VALVE REPLACEMENT)		EA	
Not Shown	NOTE	(Between 08/09/02 & 02/23/05)		EA	
Not Shown	003515-00	Top Burner Valve		EA	
Not Shown	NOTE	(AFTER 02/23/05)		EA	
14	PD010012	VALVE BOLT 1/4-20 UNC-2B 5/16" M.S.		EA	
15	PA020015	Spark Ignition Switch		EA	
Not Shown	NOTE	(Before 2/23/05)		EA	



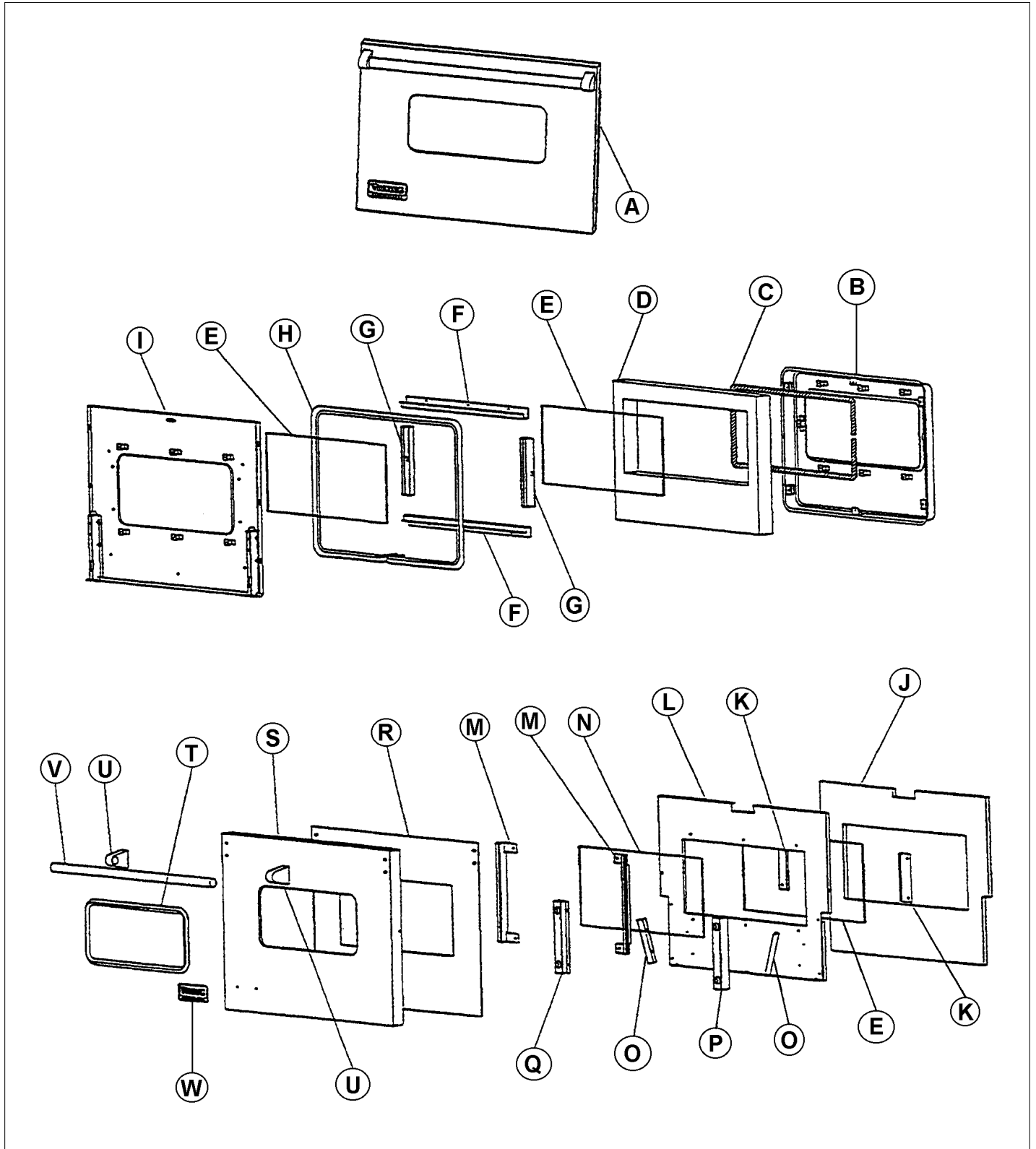


Item	Part No.	Name	Qty	Uom	NOTES
Not Shown	PA020045	Spark Ignition Switch		EA	
Not Shown	NOTE	(After 2/23/05)		EA	
16	PA010012	ROPER PLUG		EA	
17	PA070003	PRESSURE REGULATOR (NAT.)		EA	
18	A2002343	GRATE SUPT HEAT SHIELD (VGR)		EA	NO LONGER AVAILABLE
NI	PB040034	ORIFICE HOOD-#50 (NAT)		EA	
NI	PB040036	ORIFICE HOOD-#57 (LP)		EA	

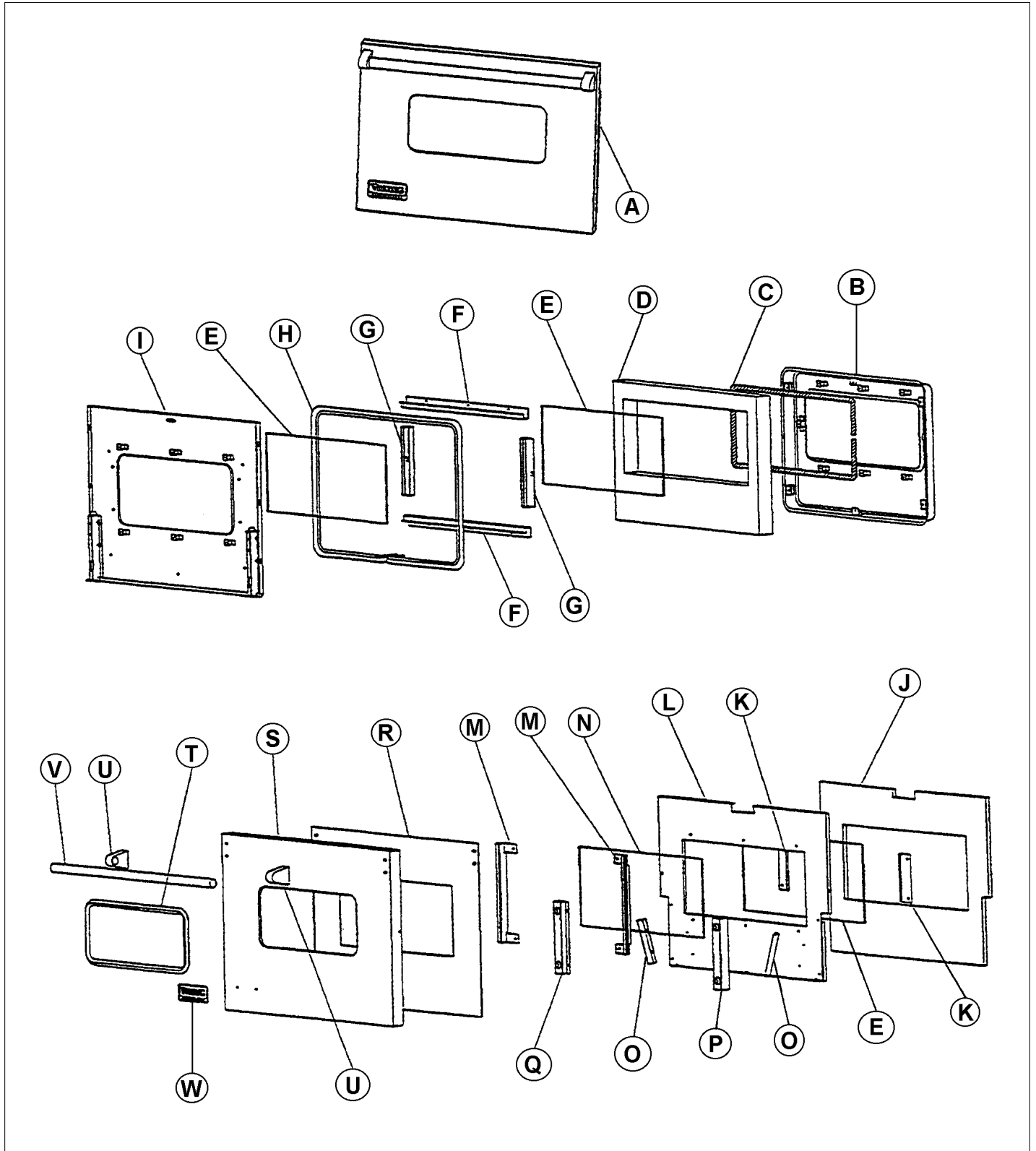
DOOR ASSY



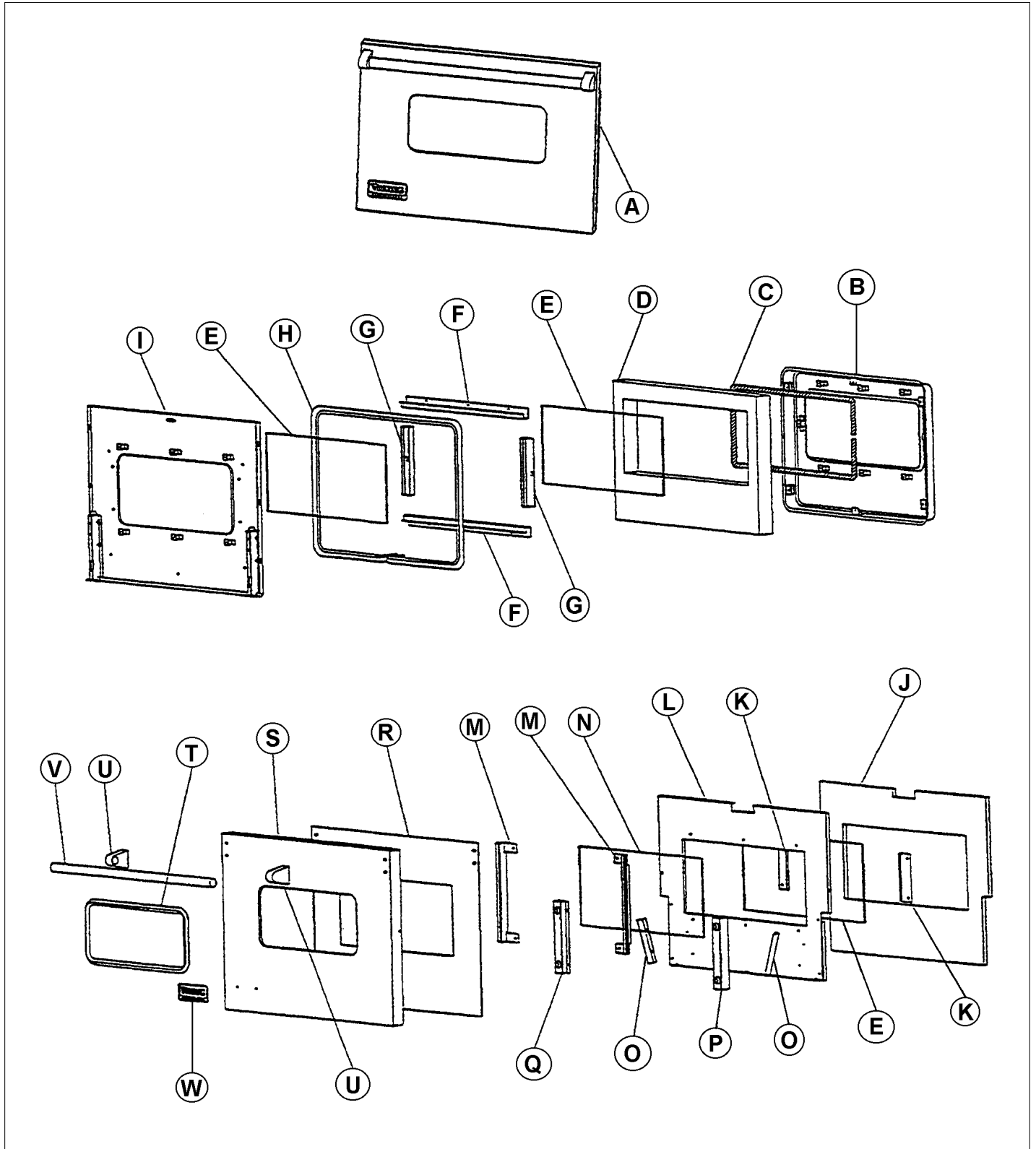
Item	Part No.	Name	Qty	Uom	NOTES
A	G3202805AL	DOOR SUB-ASSY-*AL* (VDSC36)	1	EA	NO LONGER AVAILABLE, Not available online / Call for pricing and availability
A	G3202805ALBR	DOOR SUB-ASSY-*AL**BR* (VDSC36)	1	EA	NO LONGER AVAILABLE, Not available online / Call for pricing and availability
A	G3202805BK	DOOR SUB-ASSY-*BK* (VDSC36)	1	EA	NO LONGER AVAILABLE, Not available online / Call for pricing and availability
A	G3202805BKBR	COMPLETE DOOR ASSY. - BKBR	1	EA	Not available online / Call for pricing and availability
A	G3202805BT	DOOR SUB-ASSY-*BT* (VDSC36)	1	EA	NO LONGER AVAILABLE, Not available online / Call for pricing and availability
A	G3202805BTBR	COMPLETE DOOR ASSY. - BTBR	1	EA	Not available online / Call for pricing and availability
A	G3202805BU	DOOR SUB-ASSY-*BU* (VDSC36)	1	EA	NO LONGER AVAILABLE, Not available online / Call for pricing and availability
A	G3202805BUBR	DOOR SUB-ASSY-*BU**BR* (VDSC36)	1	EA	NO LONGER AVAILABLE, Not available online / Call for pricing and availability
A	G3202805CB	DOOR SUB-ASSY-*CB* (VDSC36)	1	EA	NO LONGER AVAILABLE, Not available online / Call for pricing and availability
A	G3202805CBBR	COMPLETE DOOR ASSY. - CBBR	1	EA	Not available online / Call for pricing and availability
A	G3202805EP	DOOR SUB-ASSY- *EP* (VDSC36)	1	EA	NO LONGER AVAILABLE, Not available online / Call for pricing and availability



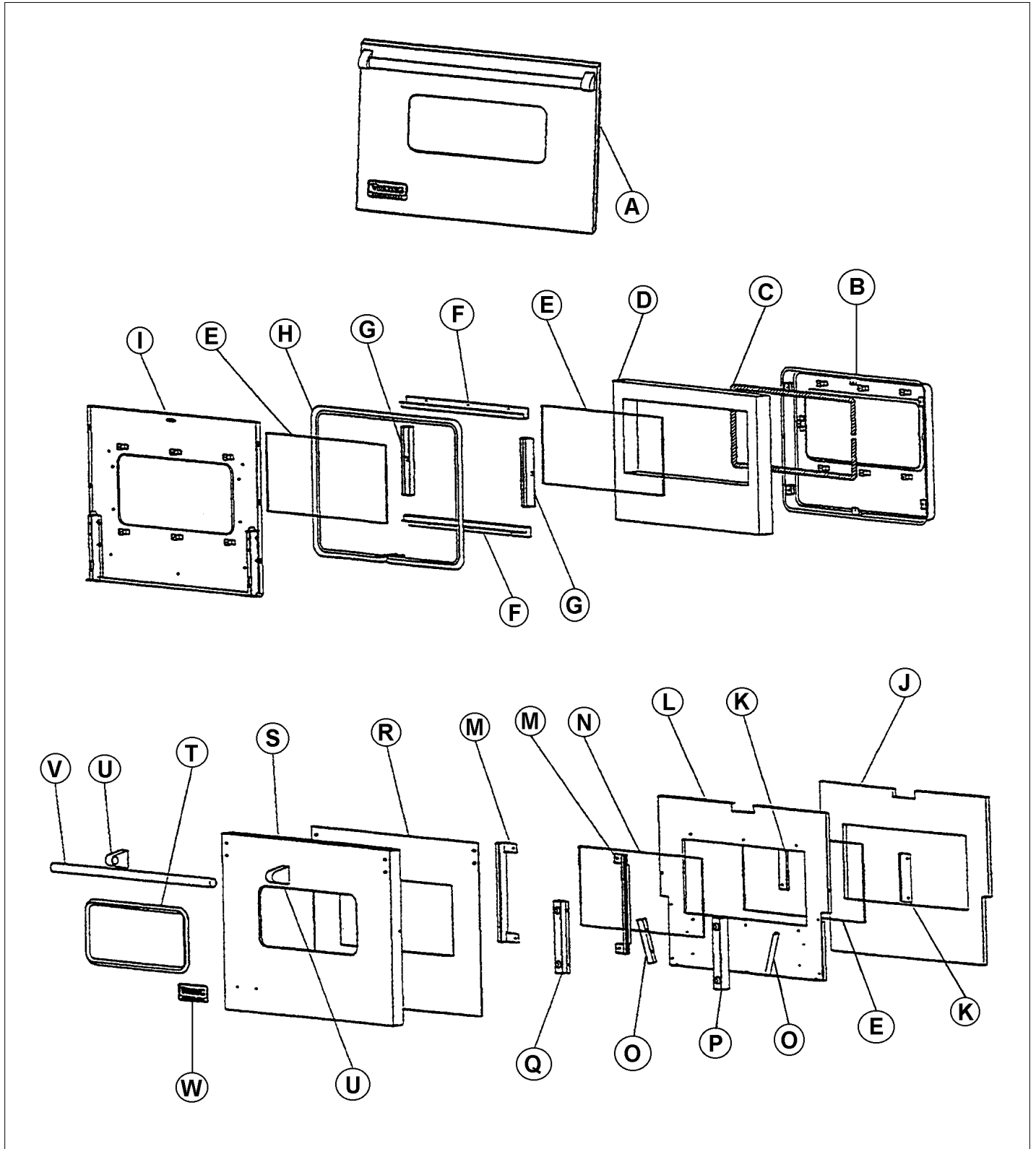
Item	Part No.	Name	Qty	Uom	NOTES
A	G3202805EPBR	COMPLETE DOOR ASSY. - EPBR	1	EA	Not available online / Call for pricing and availability
A	G3202805FG	DOOR SUB-ASSY- *FG* (VDSC36)	1	EA	NO LONGER AVAILABLE, Not available online / Call for pricing and availability
A	G3202805FGBR	DOOR SUB-ASSY- *FG**BR* (VDSC36)	1	EA	NO LONGER AVAILABLE, Not available online / Call for pricing and availability
A	G3202805GG	DOOR SUB-ASSY-*GG* (VDSC36)	1	EA	NO LONGER AVAILABLE, Not available online / Call for pricing and availability
A	G3202805GGBR	DOOR SUB-ASSY-*GG*BR* (VDSC36)	1	EA	NO LONGER AVAILABLE, Not available online / Call for pricing and availability
A	G3202805LE	DOOR SUB-ASSY- *LE* (VDSC36)	1	EA	NO LONGER AVAILABLE, Not available online / Call for pricing and availability
A	G3202805LEBR	COMPLETE DOOR ASSY. - LEBR	1	EA	
A	G3202805LN	DOOR SUB-ASSY-*LN* (VDSC36)	1	EA	NO LONGER AVAILABLE, Not available online / Call for pricing and availability
A	G3202805LNBR	DOOR SUB-ASSY-*LN*BR* (VDSC36)	1	EA	NO LONGER AVAILABLE, Not available online / Call for pricing and availability
A	G3202805MJ	DOOR SUB-ASSY- *MJ* (VDSC36)	1	EA	
A	G3202805MJBR	COMPLETE DOOR ASSY. - MJBR	1	EA	Not available online / Call for pricing and availability
A	G3202805PL	DOOR SUB-ASSY-*PL* (VDSC36)	1	EA	NO LONGER AVAILABLE, Not available online / Call for pricing and availability



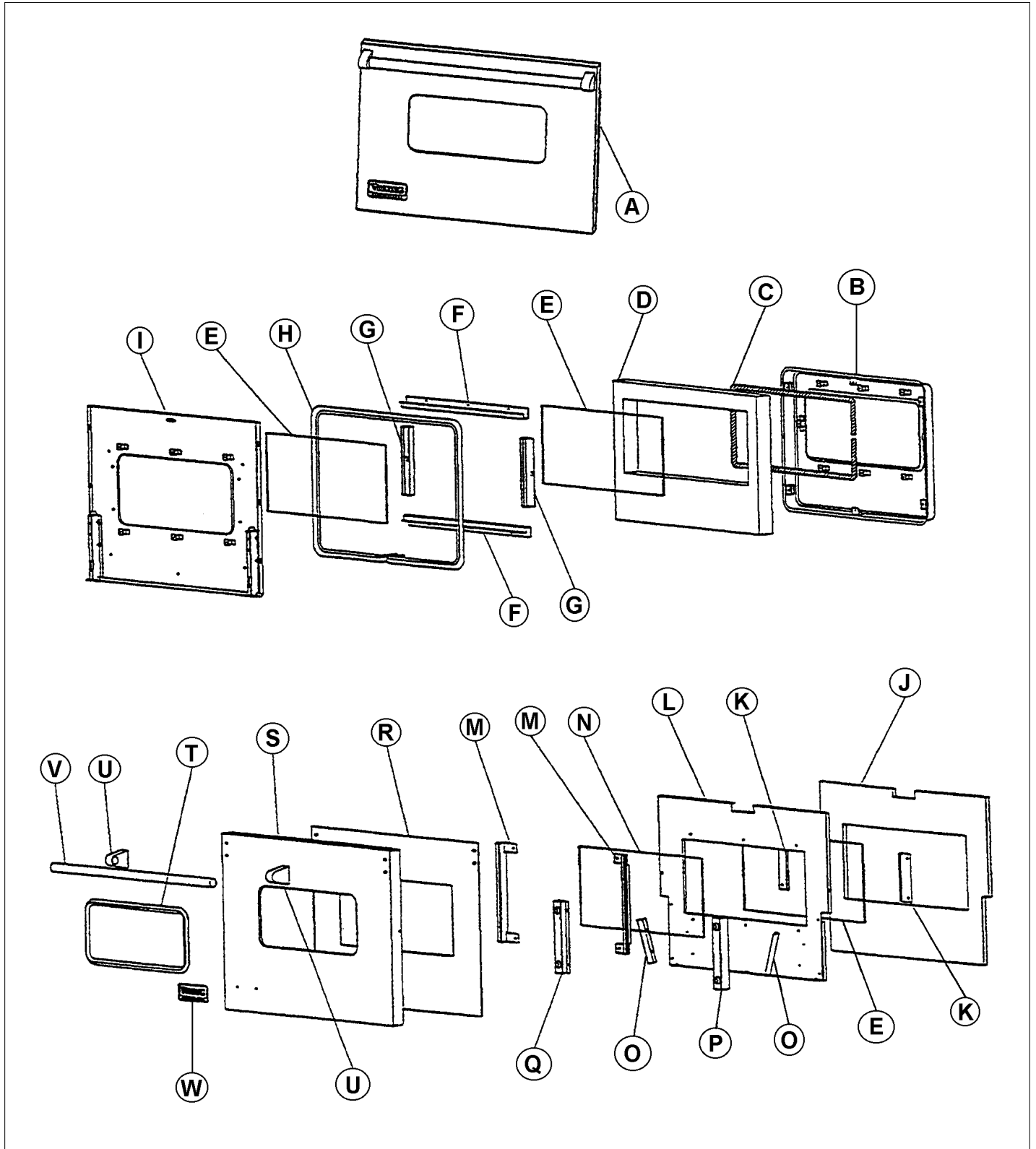
Item	Part No.	Name	Qty	Uom	NOTES
A	G3202805PLBR	COMPLETE DOOR ASSY. - PLBR	1	EA	Not available online / Call for pricing and availability
A	G3202805SG	DOOR SUB-ASSY- *SG* (VDSC36)	1	EA	NO LONGER AVAILABLE, Not available online / Call for pricing and availability
A	G3202805SGBR	COMPLETE DOOR ASSY. - SGBR	1	EA	Not available online / Call for pricing and availability
A	G3202805SS	DOOR SUB-ASSY-*SS* (VDSC36)	1	EA	
A	G3202805SSBR	COMPLETE DOOR ASSEMBLY - SSBR	1	EA	Not available online / Call for pricing and availability
A	G3202805VB	DOOR SUB-ASSY-*VB* (VDSC36)	1	EA	NO LONGER AVAILABLE, Not available online / Call for pricing and availability
A	G3202805VBBR	DOOR SUB-ASSY- *VB**BR* (VDSC36)	1	EA	NO LONGER AVAILABLE, Not available online / Call for pricing and availability
A	G3202805WH	DOOR SUB-ASSY-*WH* (VDSC36)	1	EA	NO LONGER AVAILABLE, Not available online / Call for pricing and availability
A	G3202805WHBR	DOOR SUB-ASSY-*WH**BR* (VDSC36)	1	EA	NO LONGER AVAILABLE, Not available online / Call for pricing and availability
B	G50010121	VDSC365 DR LINER SVC-KIT	1	EA	
C	000594-000	BLACK FIBERGLASS ROPE 3/8	1	EA	
D	PB070024	SEAL, TRIPLE LIP - DISPOSAL 201469	1	EA	NO LONGER AVAILABLE
E	PE060039	GLASS-HEAT TREATED (HB2) VDSC	1	EA	
F	C9002178	WINDOW LINER - TOP / BOTTOM	1	EA	Not available online / Call for pricing and availability



Item	Part No.	Name	Qty	Uom	NOTES
G	C9002179	WINDOW LINER - SIDE	1	EA	Not available online / Call for pricing and availability
H	000623-000	DOOR GASKET(3/8"DIA.) (VDSC)	1	EA	
I	G50010121	VDSC365 DR LINER SVC-KIT	1	EA	
J	PB070034	INSULATION-TRS-10 1" X 20" X 77' ROLL	1	EA	
K	A2002189	DOOR GLASS STANDOFF (VDSC)	1	EA	
L	A2002800	DOOR INSULATION RETAINER (VDSC36)	1	EA	
M	A2002367	DOOR GLASS BRKT	1	EA	
N	PE060030	OUTER DOOR GLASS	1	EA	
O	A2002497	DOOR GUIDE ANGLE VDSC	1	EA	
P	A2002498	HINGE POCKET COVER RH	1	EA	
Q	A2002499	HINGE POCKET COVER LH	1	EA	
R	J1002799	OVEN DR HEAT SINK (VDSC36)	1	EA	Not available online / Call for pricing and availability
S	B2002798	O/S DOOR PANEL *SS* (VDSC36)	1	EA	
S	C9002798AL	O/S DOOR PANEL-*AL* (VDSC36)	1	EA	NO LONGER AVAILABLE, Not available online / Call for pricing and availability
S	C9002798BK	O/S DOOR PANEL-*BK* (VDSC36)	1	EA	NO LONGER AVAILABLE
S	C9002798BT	O/S DOOR PANEL-*BT* (VDSC36)	1	EA	NO LONGER AVAILABLE, Not available online / Call for pricing and availability
S	C9002798BU	O/S DOOR PANEL-*BU* (VDSC36)	1	EA	NO LONGER AVAILABLE
S	C9002798CB	O/S DOOR PANEL-*CB* (VDSC36)	1	EA	NO LONGER AVAILABLE
S	C9002798EP	O/S DOOR PANEL-*EP* (VDSC36)	1	EA	NO LONGER AVAILABLE



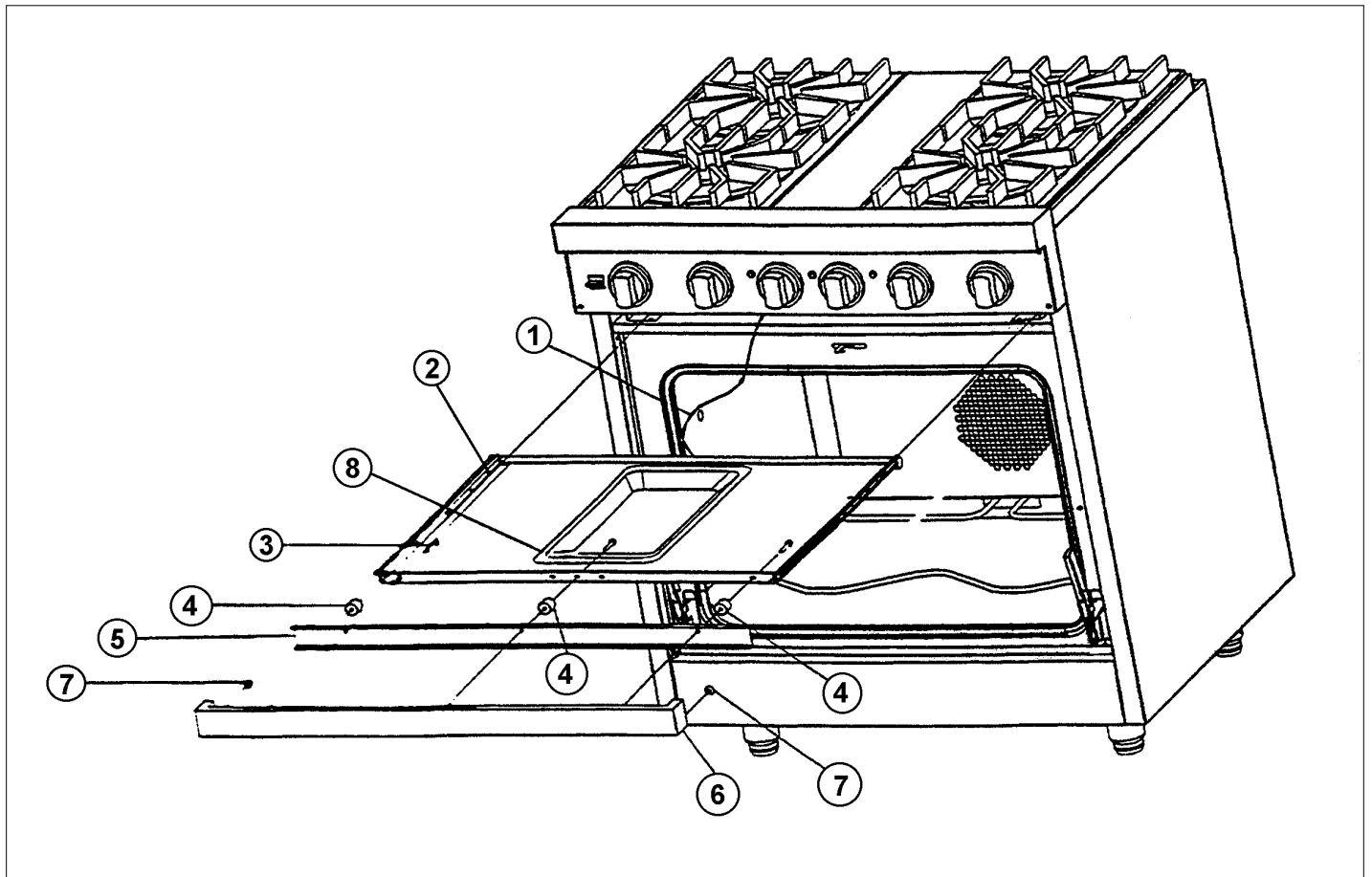
Item	Part No.	Name	Qty	Uom	NOTES
S	C9002798FG	O/S DOOR PANEL-*FG* (VDSC36)	1	EA	NO LONGER AVAILABLE, Not available online / Call for pricing and availability
S	C9002798GG	O/S DOOR PANEL-*GG* (VDSC36)	1	EA	
S	C9002798LE	O/S DOOR PANEL-*LE* (VDSC36)	1	EA	NO LONGER AVAILABLE, Not available online / Call for pricing and availability
S	C9002798LN	O/S DOOR PANEL-*LN* (VDSC36)	1	EA	NO LONGER AVAILABLE, Not available online / Call for pricing and availability
S	C9002798MJ	O/S DOOR PANEL_*MJ* (VDSC36)	1	EA	Not available online / Call for pricing and availability
S	C9002798PL	O/S DOOR PANEL-*PL* (VDSC36)	1	EA	NO LONGER AVAILABLE
S	C9002798SG	O/S DOOR PANEL-*SG* (VDSC36)	1	EA	NO LONGER AVAILABLE, Not available online / Call for pricing and availability
S	C9002798VB	O/S DOOR PANEL-*VB* (VDSC36)	1	EA	NO LONGER AVAILABLE, Not available online / Call for pricing and availability
S	C9002798WH	O/S DOOR PANEL-*WH* (VDSC36)	1	EA	Not available online / Call for pricing and availability
T	PE060031	J-MOLD (LARGE WINDOW)	1	EA	
T	PE060045	J-MOLD (LARGE WINDOW) *BR*	1	EA	
U	000268-000	HANDLE ENDCAP	1	EA	
U	PE030001PVD	END CAP DOOR HANDLE *BR	1	EA	
V	PE030006	DOOR HANDLE - 36" (VGRC)	1	EA	
V	PE030013PVD	DOOR HANDLE (36") PVD - NLA	1	EA	NO LONGER AVAILABLE
W	PE010030	LOGO	1	EA	
W	PE010031	LOGO 6" (VGRC) *BK/WH*	1	EA	NO LONGER AVAILABLE





Item	Part No.	Name	Qty	Uom	NOTES
W	PE010068	LOGO 6" (VGRC) BK/BR	1	EA	
W	PE010076	LOGO 6" (VGRC) *BR/WH*	1	EA	NO LONGER AVAILABLE

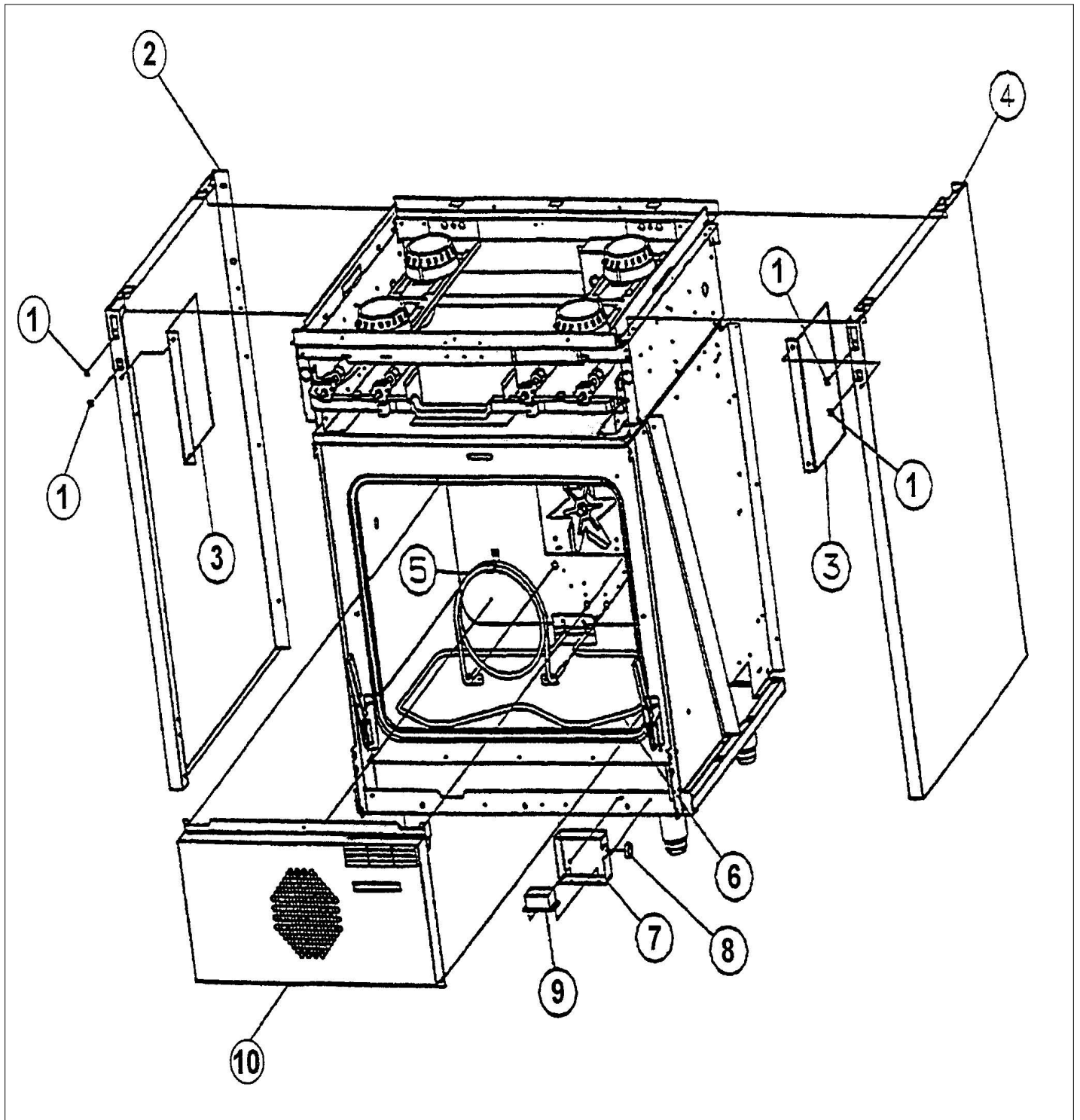
DRIP TRAY ASSY



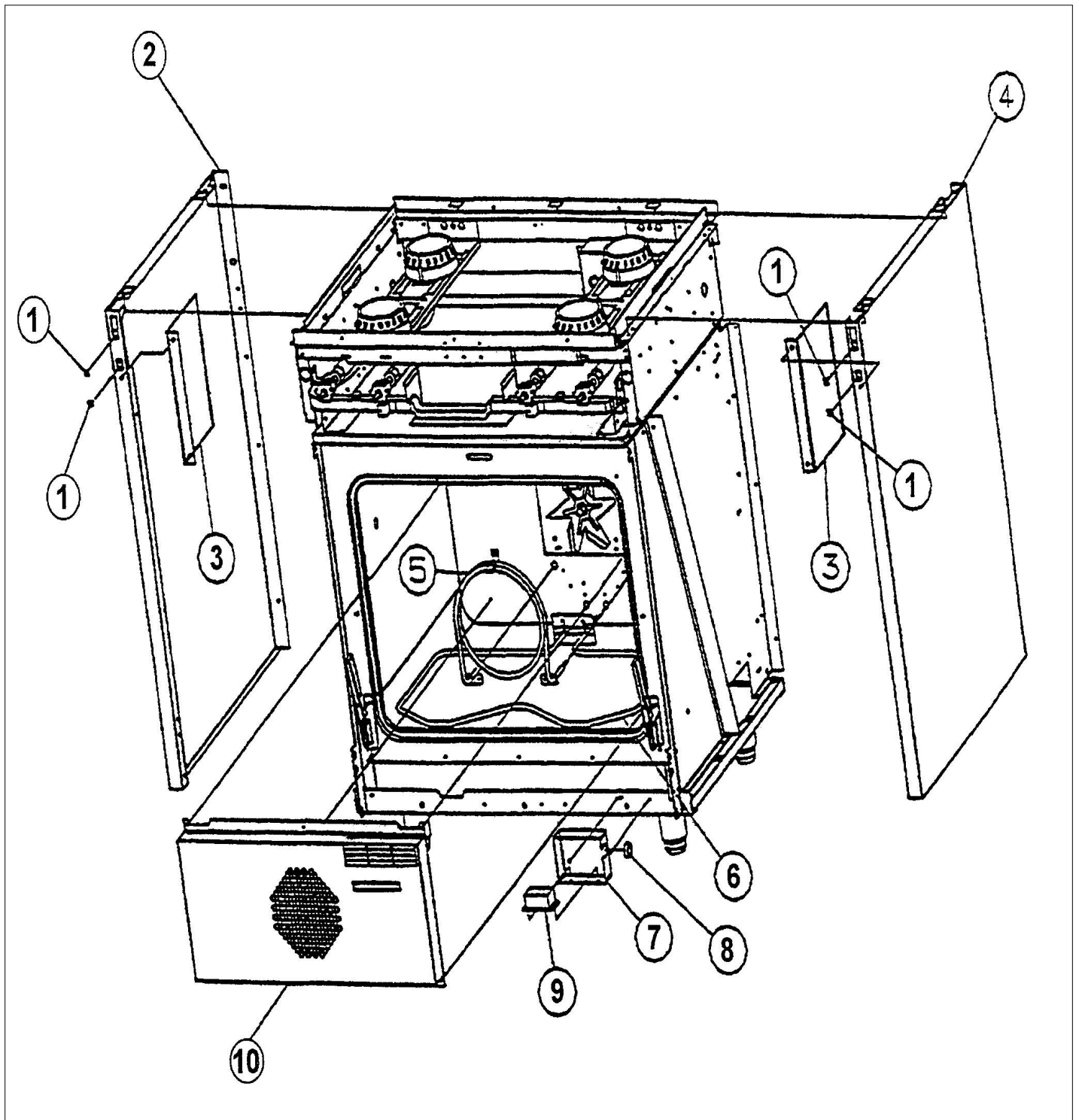


Item	Part No.	Name	Qty	Uom	NOTES
1	G4002752	DRIP TRAY GROUND WIRE (VDSC)	1	EA	
2	G3002824	DRIP TRAY (VDSC36"), NLA	1	EA	
Not Shown	NOTE	(BEFORE 11/18/04)		EA	
Not Shown	G30010455	36" DRIP TAY ASSY, NLA	1	EA	
Not Shown	NOTE	(AFTER 11/18/04)		EA	
3	PD020049	#10 X 1 1/4 PH. PAN HD. T(A)	1	EA	
4	PD040028	BUSHING(.194ID/.750OD/.750L ONG)	1	EA	
5	B2002653	DRIP TRAY BACK PLATE-VDSC36"	1	EA	
6	G30010696	DRIP TRAY HANDLE ASSY 36"	1	EA	
Not Shown	G93011459PVD	False Tray Handle - 6B (BR) - NLA	1	EA	
7	PD040004	GROMMET BUMPER	1	EA	
8	J2101749	GREASE PAN	1	EA	
Not Shown	NOTE	(AFTER SERIAL # R12139612235)		EA	
PB08001 1	PS510002	GREASE PAN (REPLACES PB080011)	1	EA	
Not Shown	NOTE	(BEFORE SERIAL # R12139612235)		EA	
NI	PK000009	Drip Tray Guide - LH	1	EA	
Not Shown	PK000010	RUNNER, DRIP TRAY - RH (VGRT)	1	EA	

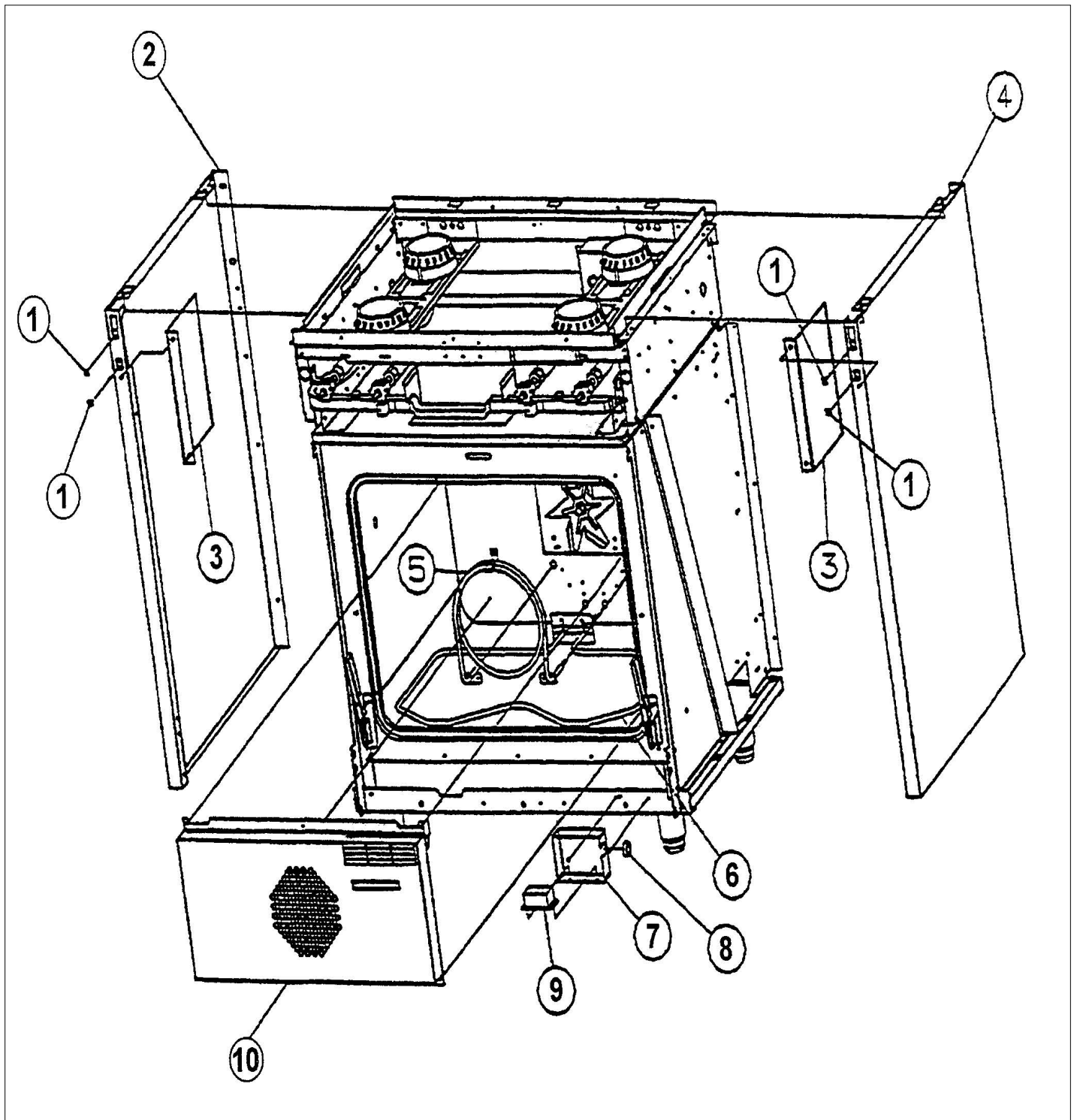
EXTERIOR ASSY (VIEW 1)



Item	Part No.	Name	Qty	Uom	NOTES
1	PD030005	SELF RETAINING NUT	1	EA	
2	B2006750	O/S BODY PANEL-LH (VDSC3074)	1	EA	
2	C9002598AL	BODY PNL LH 30'REPL C9001922AL	1	EA	NO LONGER AVAILABLE, Not available online / Call for pricing and availability
2	C9002598BK	BODY PNL LH 30'REPL C9001922BK	1	EA	
2	C9002598BT	O/S BODY PANEL-LH *BT* (VDSC)	1	EA	NO LONGER AVAILABLE
2	C9002598BU	BODY PNL LH 30'REPL C9001922BU	1	EA	
2	C9002598CB	O/S BODY PANEL-LH *CB* (VDSC)	1	EA	Not available online / Call for pricing and availability
2	C9002598EP	O/S BODY PANEL-LH *EP* (VDSC)	1	EA	NO LONGER AVAILABLE, Not available online / Call for pricing and availability
2	C9002598FG	BODY PNL LH 30'REPL C9001922FG	1	EA	NO LONGER AVAILABLE, Not available online / Call for pricing and availability
2	C9002598GG	BODY PNL LH 30'REPL C9001922GG	1	EA	Not available online / Call for pricing and availability
2	C9002598LE	O/S BODY PANEL-LH *LE* (VDSC)	1	EA	NO LONGER AVAILABLE, Not available online / Call for pricing and availability
2	C9002598LN	BODY PNL LH 30'REPL C9001922LN	1	EA	NO LONGER AVAILABLE, Not available online / Call for pricing and availability
2	C9002598MJ	O/S BODY PANEL-LH *MJ* (VDSC)	1	EA	NO LONGER AVAILABLE
2	C9002598PL	BODY PNL LH 30'REPL C9001922PL	1	EA	NO LONGER AVAILABLE, Not available online / Call for pricing and availability



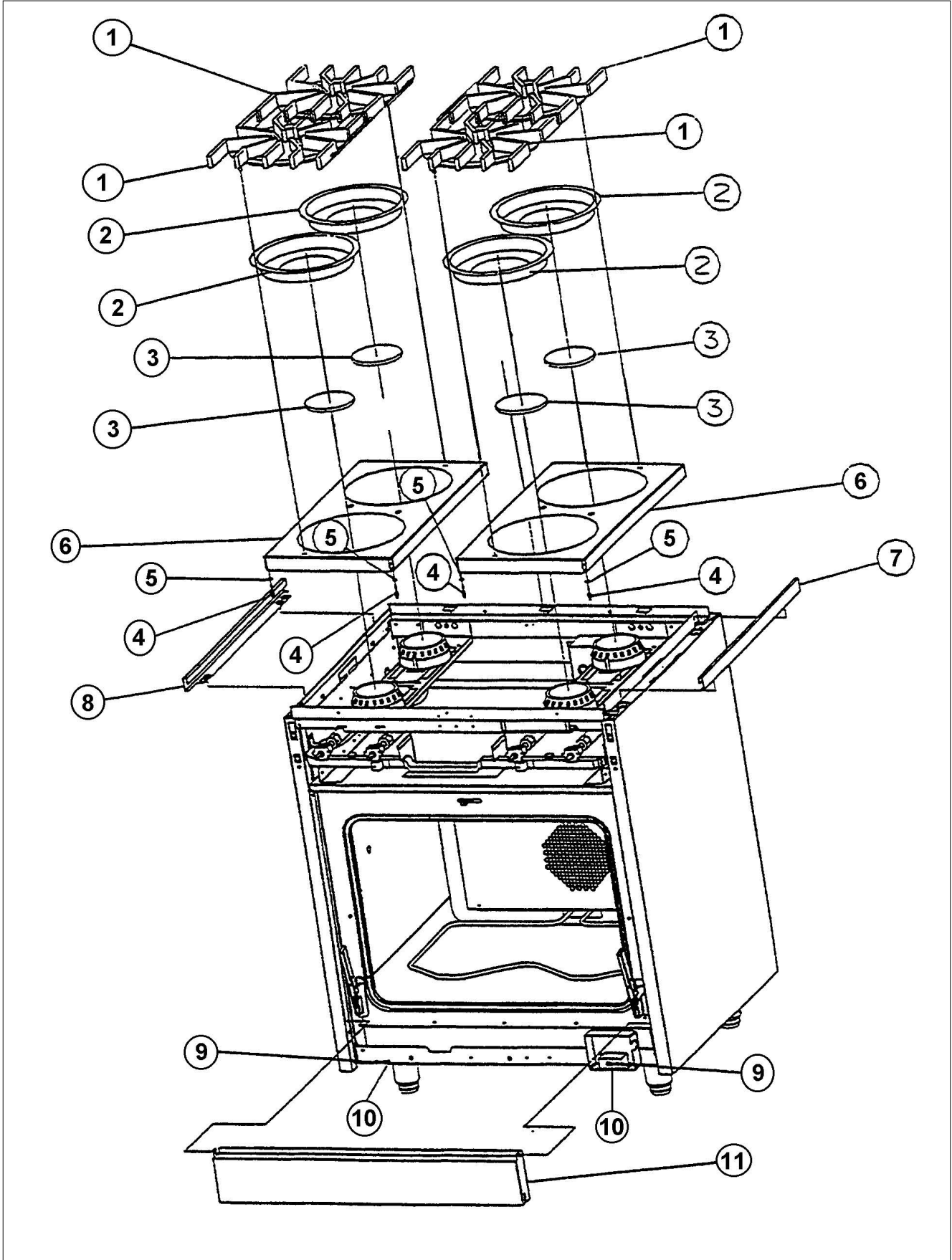
Item	Part No.	Name	Qty	Uom	NOTES
2	C9002598SG	O/S BODY PANEL-LH *SG* (VDSC)	1	EA	NO LONGER AVAILABLE, Not available online / Call for pricing and availability
2	C9002598VB	BODY PNL LH 30'REPL C9001922VB	1	EA	NO LONGER AVAILABLE, Not available online / Call for pricing and availability
2	C9002598WH	BODY PNL LH 30'REPL C9001922WH	1	EA	
3	J2002593	Oven Side Heat Sink	1	EA	Not available online / Call for pricing and availability
4	B2002597	O/S BODY PANEL - RH (SS)	1	EA	
4	C9002597AL	O/S BODY PANEL-RH *AL* (VDSC)	1	EA	NO LONGER AVAILABLE, Not available online / Call for pricing and availability
4	C9002597BK	BODY PNL RH BK REPL C9001921BK	1	EA	
4	C9002597BT	O/S BODY PANEL-RH *BT* (VDSC)	1	EA	NO LONGER AVAILABLE
4	C9002597BU	BODY PNL RH BU REPL C9001921BU	1	EA	Not available online / Call for pricing and availability
4	C9002597CB	O/S BODY PANEL-RH *CB* (VDSC)	1	EA	NO LONGER AVAILABLE
4	C9002597EP	O/S BODY PANEL-RH *EP* (VDSC)	1	EA	NO LONGER AVAILABLE
4	C9002597FG	BODY PNL RH FG REPL C9001921FG	1	EA	NO LONGER AVAILABLE, Not available online / Call for pricing and availability
4	C9002597GG	BODY PNL RH GG REPL C9001921GG	1	EA	Not available online / Call for pricing and availability
4	C9002597LE	O/S BODY PANEL-RH *LE* (VDSC)	1	EA	
4	C9002597LN	BODY PNL RH LN REPL C9001921LN	1	EA	NO LONGER AVAILABLE, Not available online / Call for pricing and availability





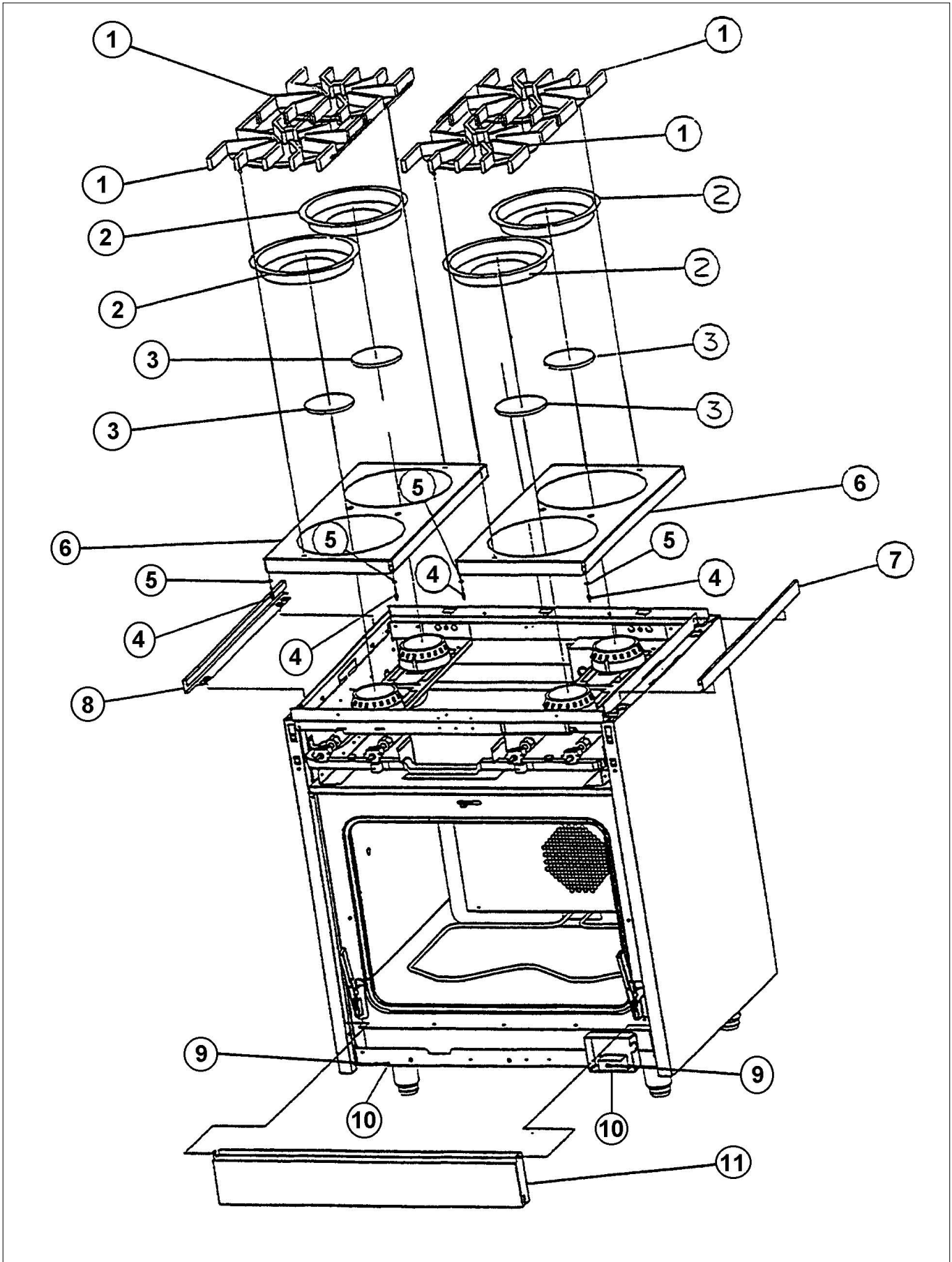
Item	Part No.	Name	Qty	Uom	NOTES
4	C9002597MJ	O/S BODY PANEL-RH *MJ* (VDSC)	1	EA	NO LONGER AVAILABLE
4	C9002597PL	BODY PNL RH PL REPL C9001921PL	1	EA	NO LONGER AVAILABLE, Not available online / Call for pricing and availability
4	C9002597SG	O/S BODY PANEL-RH *SG* (VDSC)	1	EA	NO LONGER AVAILABLE, Not available online / Call for pricing and availability
4	C9002597VB	BODY PNL RH VB REPL C9001921VB	1	EA	
4	C9002597WH	BODY PNL RH WH REPL C9001921WH	1	EA	
5	PJ010003	CONVECTION ELEMENT (VDSC) 240V	1	EA	
6	PJ010006	BAKE ELEMENT (VDSC-36) 240V	1	EA	
7	A2002451	FRONT RELAY BRKT (VDSC)	1	EA	
8	PD040005	SNAP BUSHING - 7/8"	1	EA	
9	PM010129	RELAY	1	EA	
10	G9102750	CONVECTION FAN COVER ASSY (VDSC36)	1	EA	NO LONGER AVAILABLE

EXTERIOR ASSY (VIEW 2)

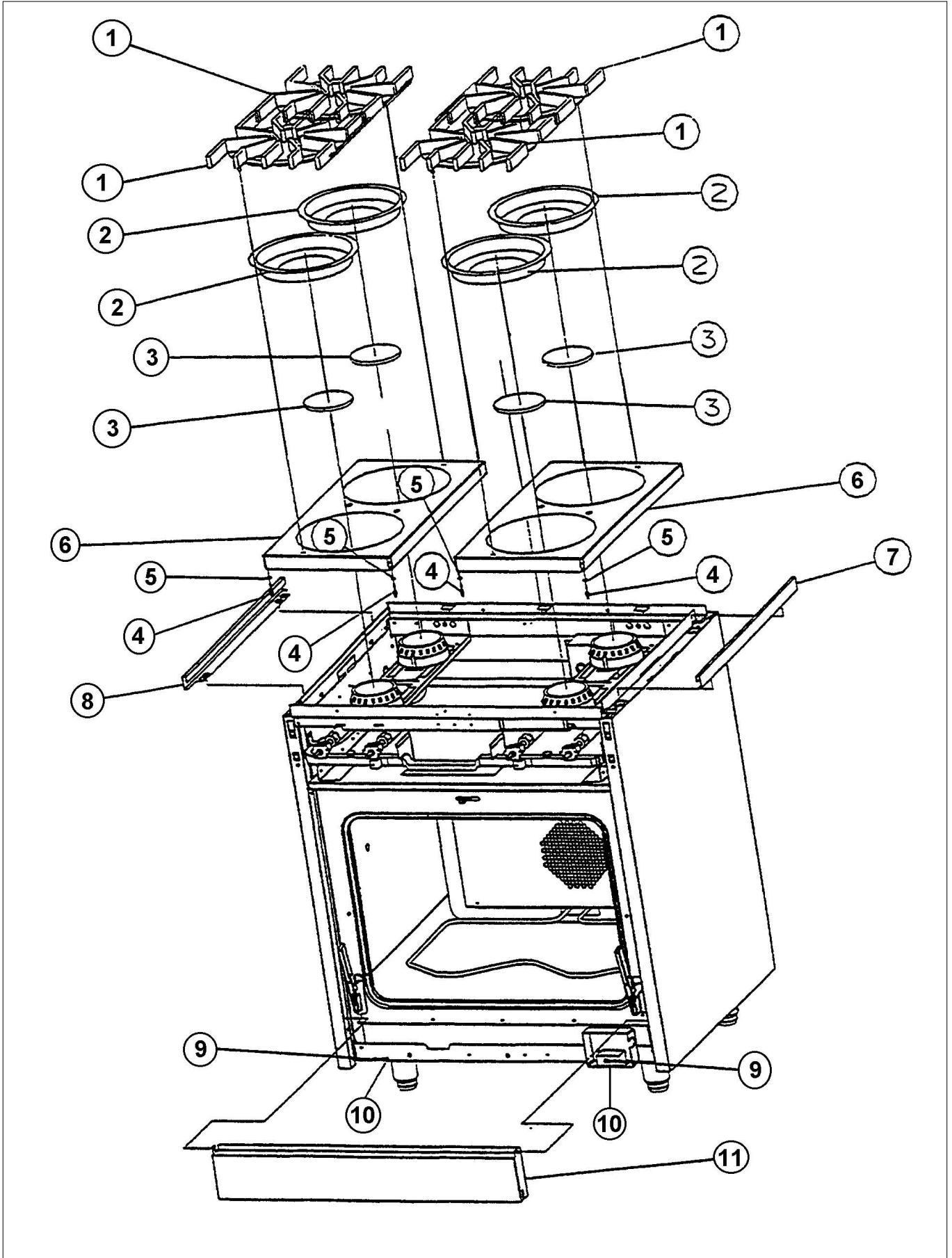




Item	Part No.	Name	Qty	Uom	NOTES
1	PA060037	GRATE BK REPL PA060024 (GEN.#2)	1	EA	
1	PA060038	GRAY GRATES	1	EA	
2	PA030002AL	BURNER BOWL - AL (FOR USE WITH UPGRADE KIT) NLA	1	EA	
2	PA030002BK	BURNER BOWL (VGRT) **BK**	1	EA	
2	PA030002BT	BURNER BOWL - BT NLA	1	EA	
2	PA030002CB	BURNER BOWL - CB NLA	1	EA	
2	PA030002EP	BURNER BOWL - EP NLA	1	EA	
2	PA030002FG	BURNER BOWL - FG (FOR USE WITH UPGRADE KIT) NLA	1	EA	
2	PA030002GG	BURNER BOWL - GG NLA	1	EA	
2	PA030002LE	BURNER BOWL - LE NLA	1	EA	
2	PA030002LN	BURNER BOWL (VGRT) **LN** NLA	1	EA	Not available online / Call for pricing and availability
2	PA030002MJ	BURNER BOWL (VGRT) **MJ** NLA	1	EA	
2	PA030002PL	BURNER BOWL (VGRT) **PL** NLA	1	EA	Not available online / Call for pricing and availability
2	PA030002SG	BURNER BOWL - SG NLA	1	EA	
2	PA030002VB	BURNER BOWL (VGRT) **VB** NLA	1	EA	
2	PA030002WH	BURNER BOWL (VGRT) **WH**	1	EA	
3	PA080015	BURNER CAP-VGRT *BK*	1	EA	
3	PA080016	BURNER CAP-VGRT (GRAY-MATT)	1	EA	
4	PD010017	BALL STUD (VGRT)	1	EA	
5	PD030012	6-32 HEX NUT	1	EA	
6	G50013584AL	GRATE SUPPORT - AL	1	EA	
6	G50013584BK	GRATE SUPPORT SERVICE KIT (BK)	1	EA	
6	G50013584BT	GRATE SUPPORT SERVICE KIT (BT) - NLA	1	EA	NO LONGER AVAILABLE
6	G50013584CB	GRATE SUPPORT ASSEMBLY - CB	1	EA	Not available online / Call for pricing and availability

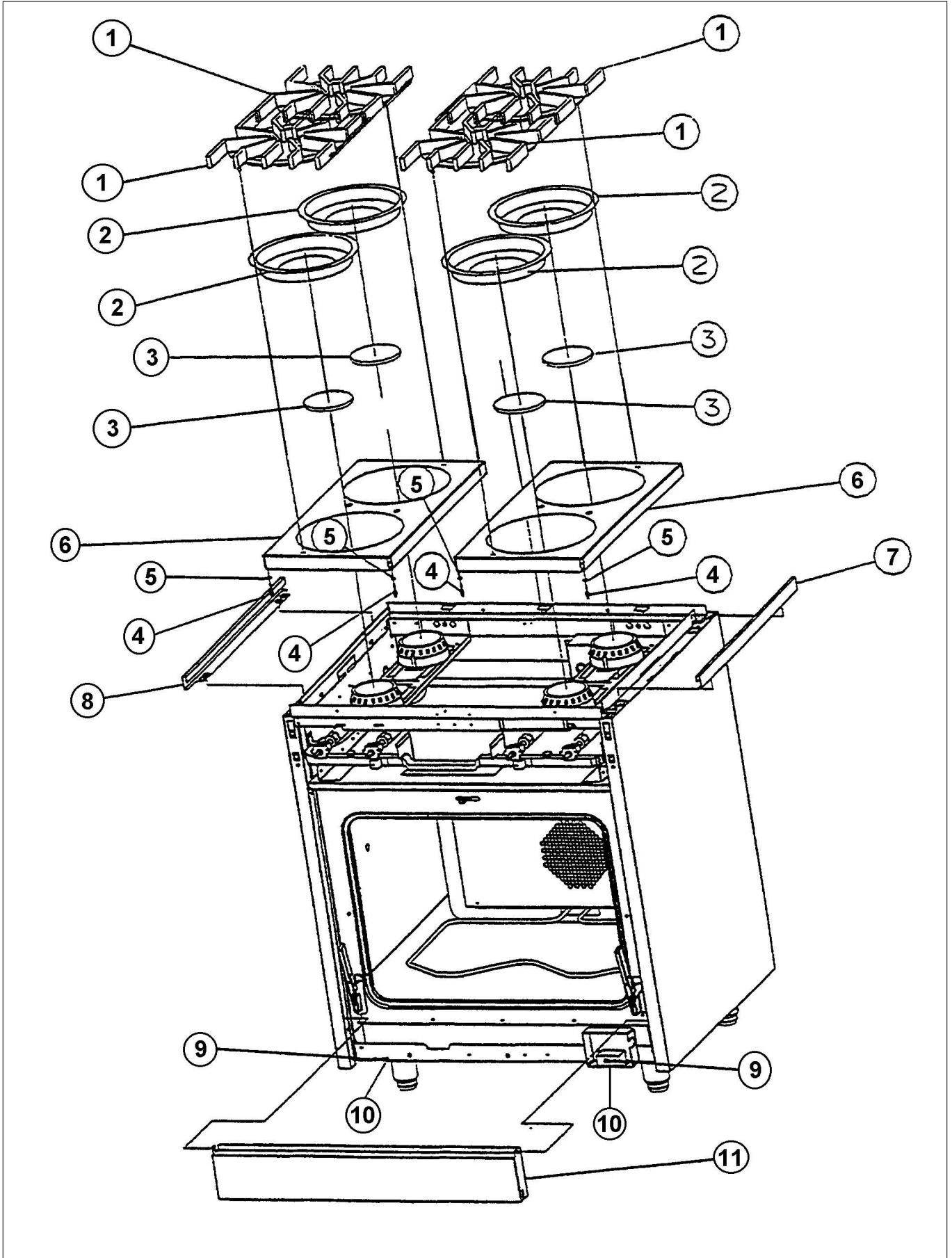


Item	Part No.	Name	Qty	Uom	NOTES
6	G50013584EP	GRATE SUPPORT ASSEMBLY - EP	1	EA	Not available online / Call for pricing and availability
6	G50013584FG	GRATE SUPPORT - FG	1	EA	Not available online / Call for pricing and availability
6	G50013584GG	GRATE SUPPORT ASSEMBLY - GG	1	EA	
6	G50013584LE	GRATE SUPPORT ASSEMBLY - LE	1	EA	Not available online / Call for pricing and availability
6	G50013584LN	GRATE SUPPORT SERVICE KIT (LN)	1	EA	NO LONGER AVAILABLE, Not available online / Call for pricing and availability
6	G50013584MJ	GRATE SUPPORT ASSEMBLY - MJ	1	EA	Not available online / Call for pricing and availability
6	G50013584PL	GRATE SUPPORT - PL	1	EA	Not available online / Call for pricing and availability
6	G50013584SG	GRATE SUPPORT ASSEMBLY - SG	1	EA	Not available online / Call for pricing and availability
6	G50013584VB	GRATE SUPPORT - VB	1	EA	
6	G50013584WH	GRATE SUPPORT SERVICE KIT (WH)	1	EA	
7	B2002345	SIDE TRIM - RH (VGSS)	1	EA	
7	C9302345BR	SIDE TRIM - RH (VGSS) *BR*	1	EA	
8	B2002346	SIDE TRIM - LH (VGSS)	1	EA	
8	C9302346BR	SIDE TRIM - LH (VGSS) *BR*	1	EA	Not available online / Call for pricing and availability
9	PD040020	SPACER	1	EA	NO LONGER AVAILABLE, Not available online / Call for pricing and availability
10	PD020005	8 X 1/2 PH.PN.HD.SMS.	1	EA	
11	B2001504	LWR ACC PNL - RPLCS B2001977	1	EA	





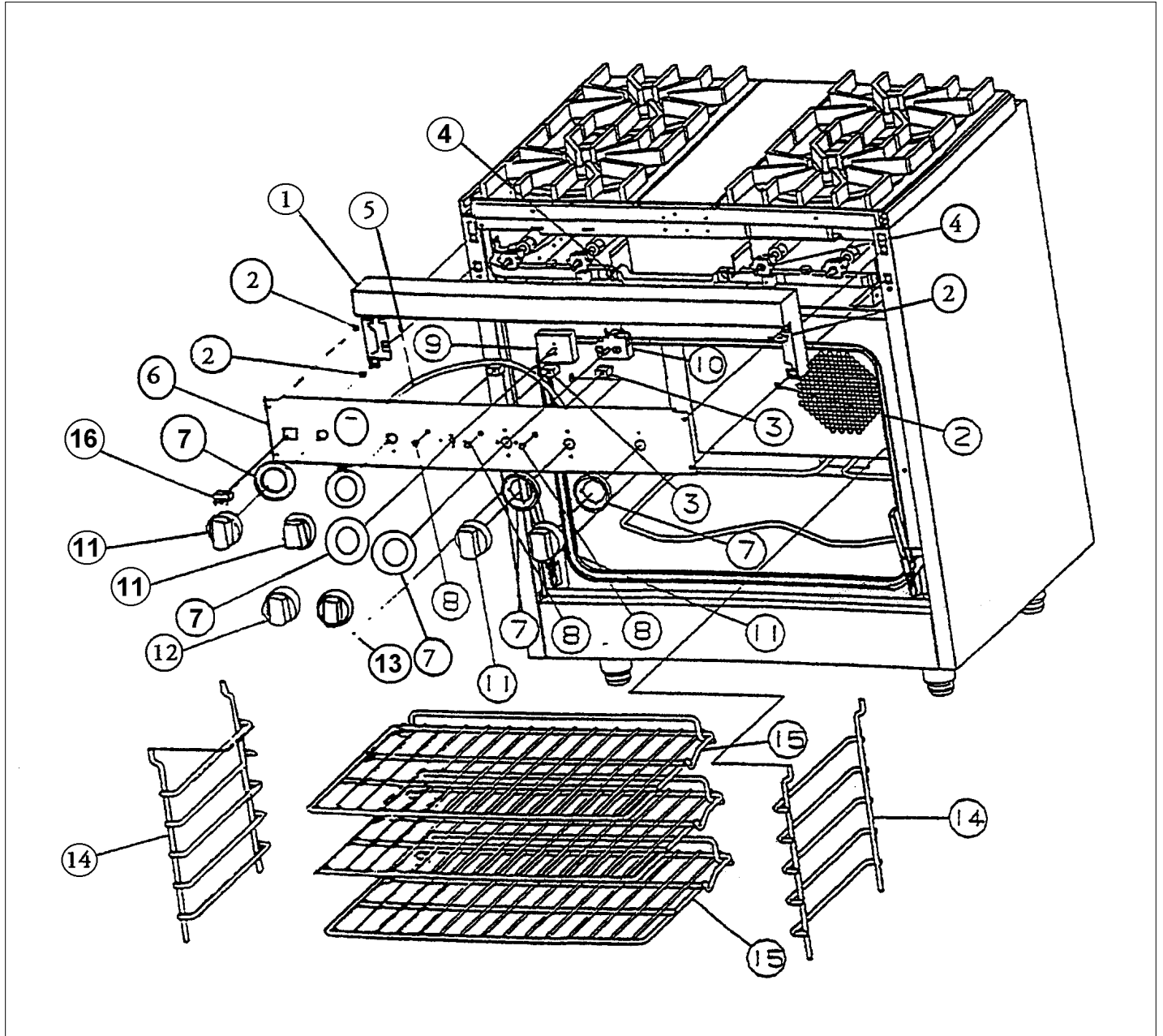
Item	Part No.	Name	Qty	Uom	NOTES
11	C9001504AL	LWR ACC PNL - RPLCS C9001977AL	1	EA	NO LONGER AVAILABLE
11	C9001504BK	LWR ACC PNL - RPLCS C9001977BK	1	EA	
11	C9001504BT	LWR ACC PNL - RPLCS C9001977BT	1	EA	NO LONGER AVAILABLE, Not available online / Call for pricing and availability
11	C9001504BU	LWR ACC PNL - RPLCS C9001977BU	1	EA	Not available online / Call for pricing and availability
11	C9001504CB	LWR ACC PNL - RPCLS C9001977CB	1	EA	NO LONGER AVAILABLE, Not available online / Call for pricing and availability
11	C9001504EP	LWR ACC PNL - RPLCS C9001977EP	1	EA	NO LONGER AVAILABLE
11	C9001504FG	LWR ACC PNL - RPLCS C9001977FG	1	EA	NO LONGER AVAILABLE
11	C9001504GG	LWR ACC PNL - RPLCS C9001977GG	1	EA	NO LONGER AVAILABLE, Not available online / Call for pricing and availability
11	C9001504LE	LWR ACC PNL - RPLCS C9001977LE	1	EA	NO LONGER AVAILABLE, Not available online / Call for pricing and availability
11	C9001504LN	LWR ACC PNL - RPLCS C9001977LN	1	EA	NO LONGER AVAILABLE, Not available online / Call for pricing and availability
11	C9001504MJ	LWR ACC PNL - RPLCS C9001977MJ	1	EA	Not available online / Call for pricing and availability
11	C9001504PL	LWR ACC PNL - RPLCS C9001977PL	1	EA	NO LONGER AVAILABLE
11	C9001504SG	LWR ACC PNL - RPCLS C9001977SG	1	EA	NO LONGER AVAILABLE, Not available online / Call for pricing and availability
11	C9001504VB	LWR ACC PNL - RPLCS C9001977VB	1	EA	NO LONGER AVAILABLE



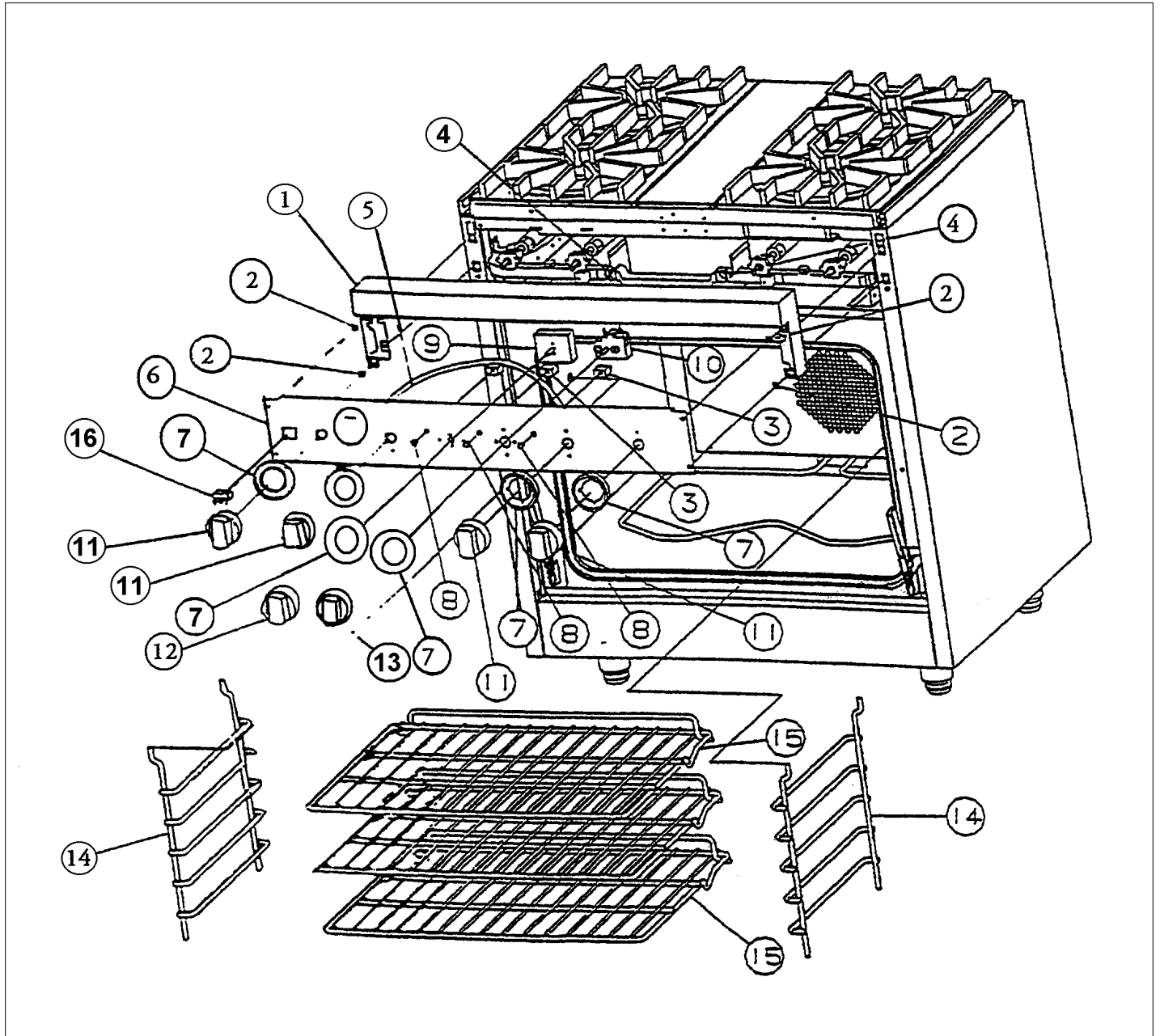


Item	Part No.	Name	Qty	Uom	NOTES
11	C9001504WH	LWR ACC PNL - RPLCS C9001977WH	1	EA	
NI	019501-000	36" CURB BASE KIT	1	EA	

EXTERIOR ASSY (VIEW 3)

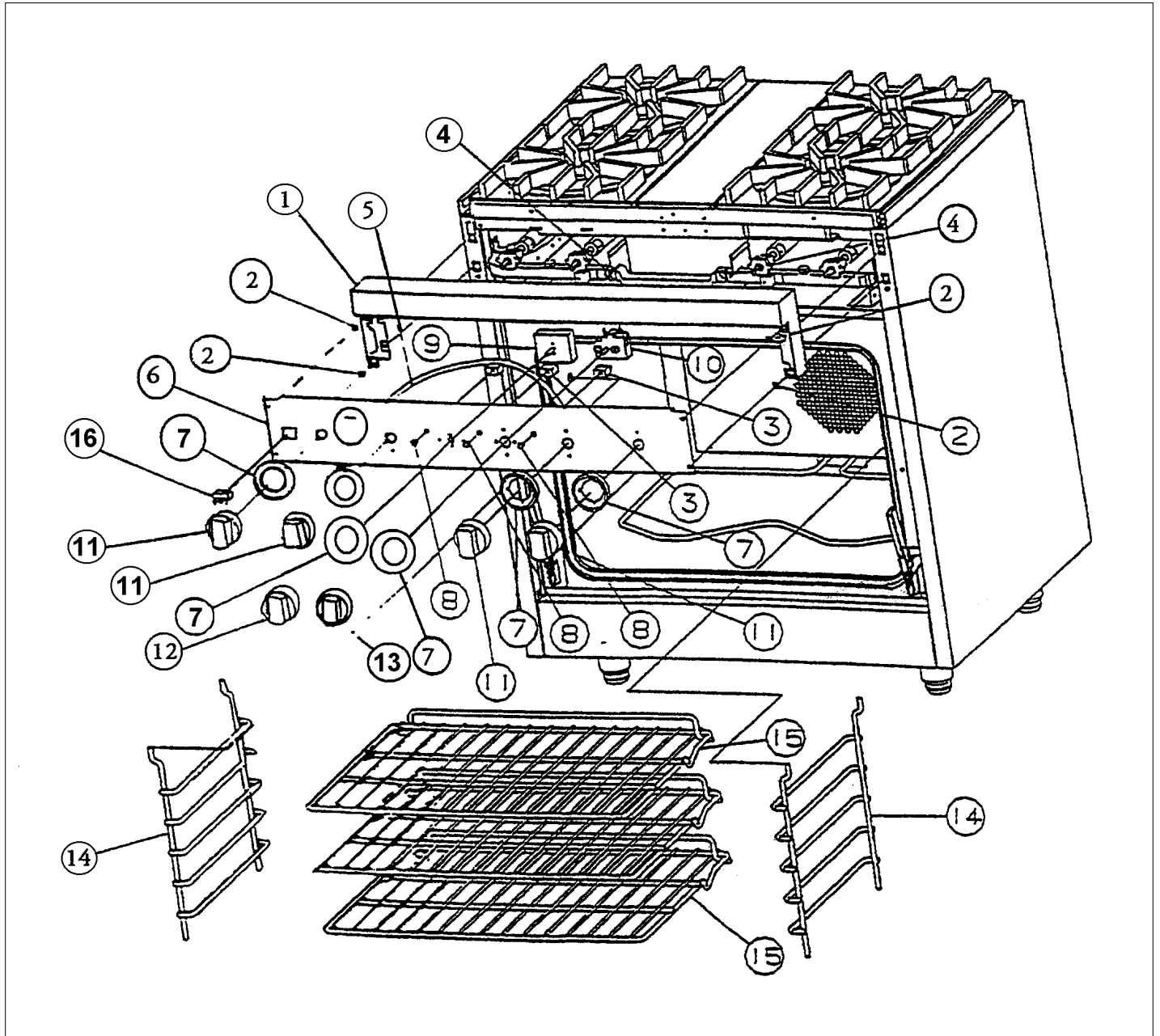


Item	Part No.	Name	Qty	Uom	NOTES
1	G3001585	36" LANDING LEDGE		EA	
2	PD030050	10-24 CAGE NUT *SS*		EA	
3	PE050024	OVEN IND. LIGHT (LIGHT HOUSING)		EA	
<p>Comments for Part Num. PE050024</p> <p>haarnink@vikingrange.com on Jan 14, 2019 please note that the indicator light is now part 043135-000 but needs the Jumper harness 051443-000. and second option there are units in the field with a 230V indicator light part number 036566-000.</p> <p>please check this for all "E" module ranges/Tops</p>					
4	PD030032	WIRE CLIP		EA	
5	PE070152	CTRL PAN "RESTRAINING" STRAP		EA	NO LONGER AVAILABLE
6	B9203171	CTRL PAN (VDSC365 4G) *SLK SCR*		EA	
Not Shown	NOTE	(After Serial # R01249700891)		EA	
NI	B9202795	CTRL PAN (VDSC365-4G) *SLK SCR*		EA	
Not Shown	NOTE	(Before Serial # R01249700891)		EA	
NI	B9203172	CTRL PAN (VDSC365-4Q) *SLK SCR*		EA	
Not Shown	NOTE	(After Serial # R01249700891)		EA	
NI	B9202794	CTRL PAN (VDSC365-4Q) *SLK SCR*		EA	NO LONGER AVAILABLE
Not Shown	NOTE	(Before Serial # R01249700891)		EA	
NI	B9203173	CTRL PAN (VDSC305-6B) *SLK SCR*		EA	
<p>Comments for Part Num. B9203173</p> <p>vharding68@verizon.net on Mar 15, 2018 the model number in this note is incorrect as a vdsc305 does not have 6 burners.</p>					
Not Shown	NOTE	(After Serial # R01249700891)		EA	
NI	B9202796	CTRL PAN (VDSC365-6B) *SLK SCR*		EA	





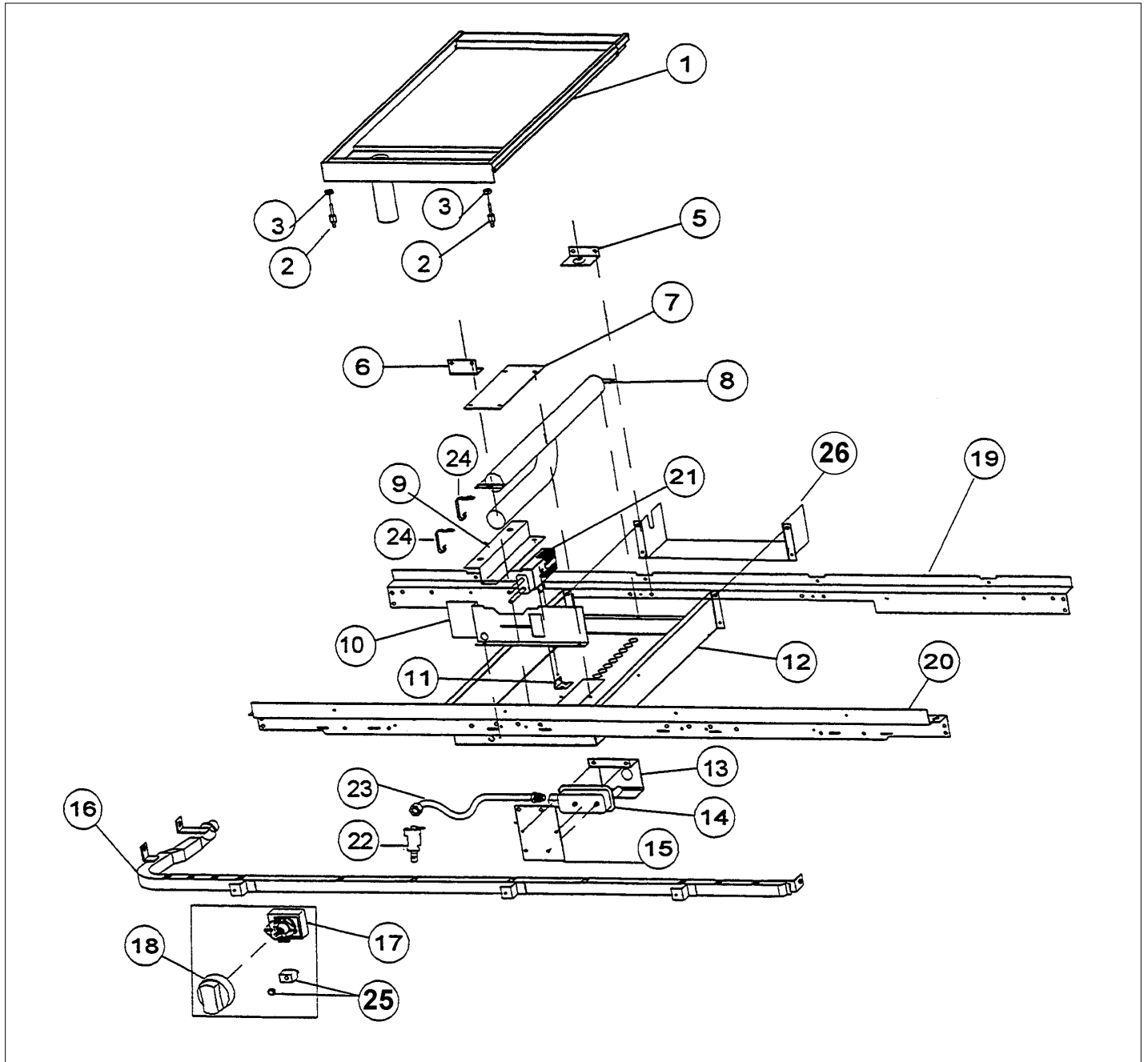
Item	Part No.	Name	Qty	Uom	NOTES
Not Shown	NOTE	(Before Serial # R01249700891)		EA	
7	PB010208	Bezel, SS		EA	
Not Shown	PB010209	Bezel - BR		EA	
8	PE050023	OVEN IND. LIGHT (LENS & BEZEL)		EA	
9	PJ030001	SELECTOR SWITCH (8-POSITION) VDSC		EA	
10	PJ030003	THERMOSTAT (SELF CLEAN) VDSC		EA	
<p>Comments for Part Num. PJ030003</p> <p>boltz on Nov 21, 2017 See Bulletin 2005-03 Reply by steves@bendbroadband.com on Apr 10, 2018 what bulletin? bulletin should linked here. Reply by bradleysapplianceservice@shaw.ca on Sep 27, 2018 If you have access to Documoto then all you have to do is either run the part number PJ030003 or service bulletin number 2005-03AS in the main search field and all your answer will be there. It's Simple.</p>					
Not Shown	NOTE	(BEFORE 11/28/05)		EA	
Not Shown	PS500032	PJ030031 THERMOSTAT AND ROLL PIN SERVICE KIT		EA	See 2005-03 Bulletin
Not Shown	NOTE	(AFTER 11/28/05)		EA	
11	PA010034	TOP BURNER KNOB-*BK* (NEW STYLE)		EA	
Not Shown	NOTE	(Before Serial # R0809028249)		EA	
Not Shown	PA010035	BURNER KNOB-WH NS REPL PA010028		EA	
Not Shown	NOTE	(Before Serial # R0809028249)		EA	
Not Shown	PB010206	TOP BURNER KNOB BK		EA	
Not Shown	NOTE	(After Serial # R0809028249)		EA	
Not Shown	PB010207	TOP BURNER KNOB WH		EA	Not available online / Call for pricing and availability



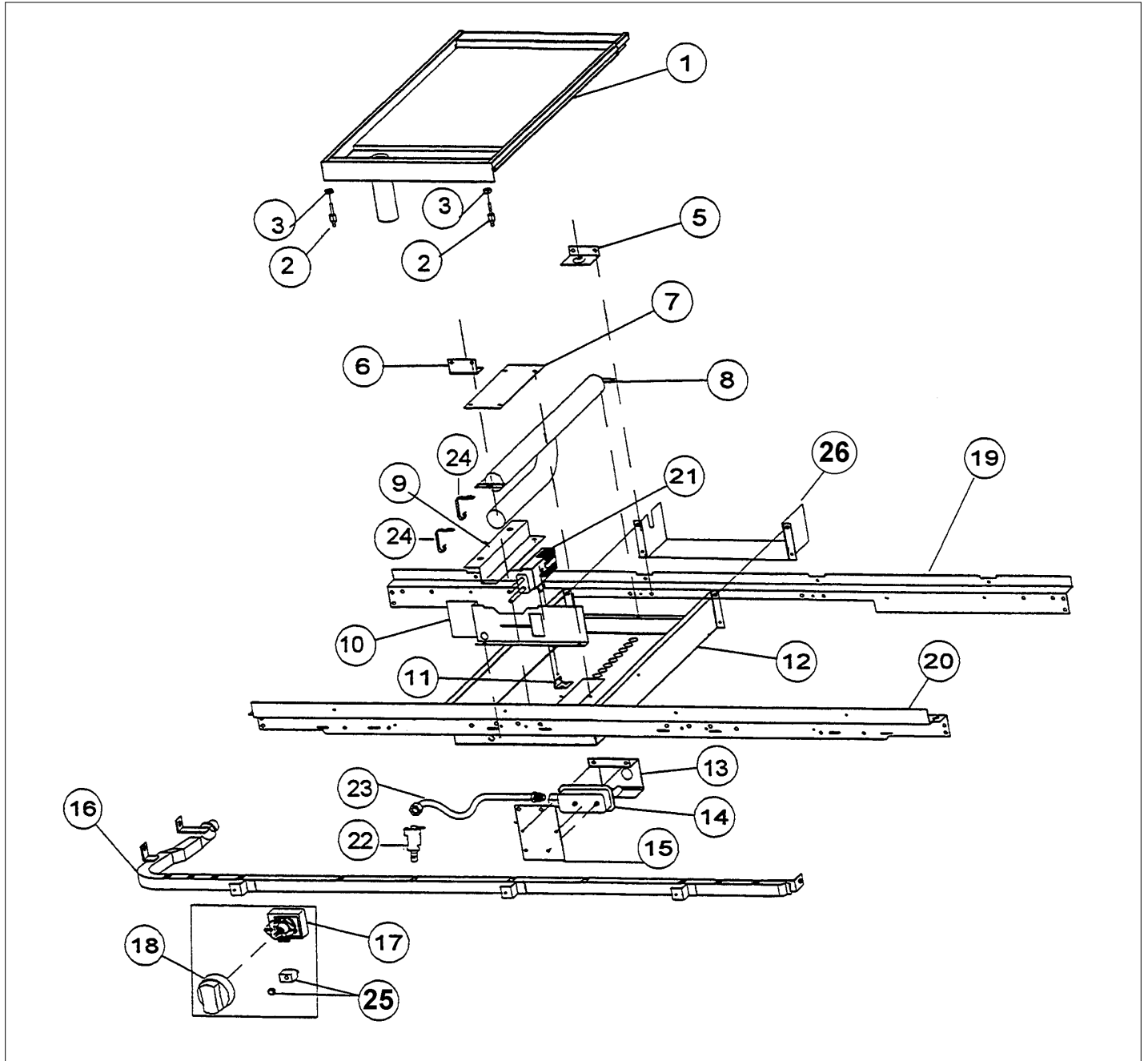


Item	Part No.	Name	Qty	Uom	NOTES
Not Shown	NOTE	(After Serial # R0809028249)		EA	
12	PB010230	OVEN SELECT. KNOB*BK* VDSC307		EA	
Not Shown	PB010132	SELECTOR KNOB *WH* (VDSC)		EA	
13	PB010129	THERMOSTAT KNOB *BK* (VDSC)		EA	
Not Shown	PB010130	THERMOSTAT KNOB *WH* (VDSC)		EA	
14	PB060030	RACK SUPT REPL PB060010		EA	
15	PB060045	OVEN RK VDSC36 REPL PB060020		EA	
16	PE050016	OVEN LIGHT SWITCH - *BK* (WES-GAR)		EA	
Not Shown	PE050017	OVEN LIGHT SWITCH - *WH* (WES-GAR)		EA	
17	E9107934	BROILER PAN INSERT - NLA		EA	
18	E9107933	BROILER PAN		EA	

GRIDDLE ASSY

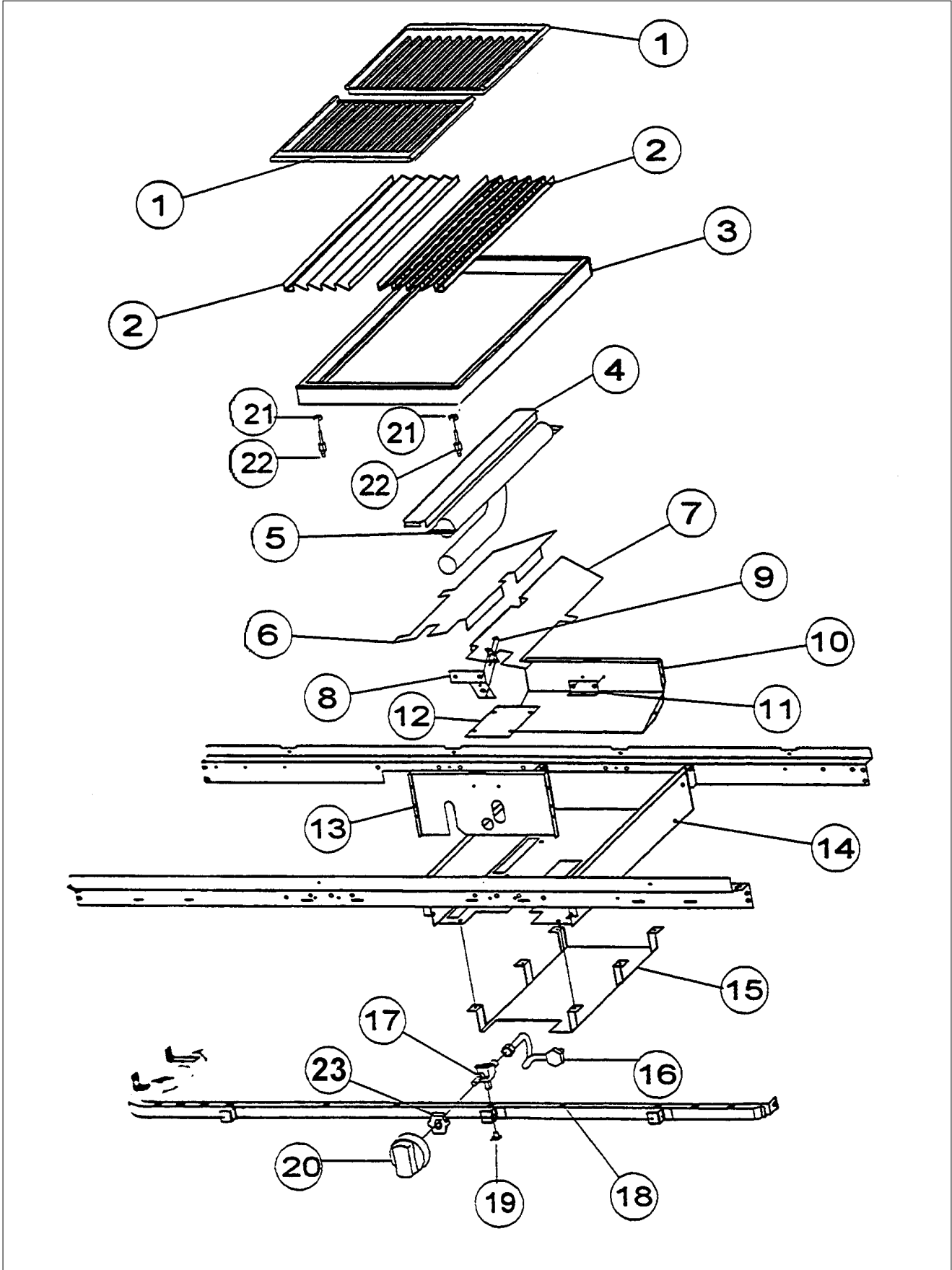


Item	Part No.	Name	Qty	Uom	NOTES
1	G3001278	GRIDDLE ASSY-12"	1	EA	
2	PD010017	BALL STUD (VGRT)	1	EA	
3	PD030012	6-32 HEX NUT	1	EA	
5	A2001880	REAR MTG. BRKT. GRIDDLE FLAME SHLD	1	EA	
6	A2001881	FRONT MTG. BRKT. GRIDDLE FLAME SHLD	1	EA	
7	A1001636	GRIDDLE VENTURI COVER	1	EA	
8	PB050077	GRILL BURNER	1	EA	
9	A2001949	T/STAT BULB COVER REPL A2001883	1	EA	
10	A2002001	GRIDDLE HEAT BAFFLE - SLOT SUPT	1	EA	
11	A2001300	Griddle Igniter Bracket	1	EA	
12	A2001148	GRIDDLE BOX (VGRT)	1	EA	
13	A2001630	GRIDDLE VALVE COVER (VGRC)	1	EA	
14	PB010004	SINGLE SAFETY VALVE (NAT. GRIDDLE)	1	EA	
15	A1001198	THERMAL VALVE BRKT	1	EA	NO LONGER AVAILABLE, Not available online / Call for pricing and availability
16	002158-000	36" UNIVERSAL MANIFOLD	1	EA	
17	PB010035	THERMOSTAT BAKE / GRIDDLE	1	EA	
18	PB010103	GRIDDLE KNOB N/S *BK*	1	EA	
Not Shown	PB010104	GRIDDLE KNOB N/S *WH*	1	EA	
19	A2002382	REAR BURNER SUPT (VGSS36)	1	EA	
20	A2001105	FRONT SUPT (36")	1	EA	Not available online / Call for pricing and availability
21	PB040001	Igniter	1	EA	
22	003862-000	SHUTOFF VALVE (PB030002 VALVE AND BOLT KIT)	1	EA	
Not Shown	NOTE	(Before 2/23/05)		EA	

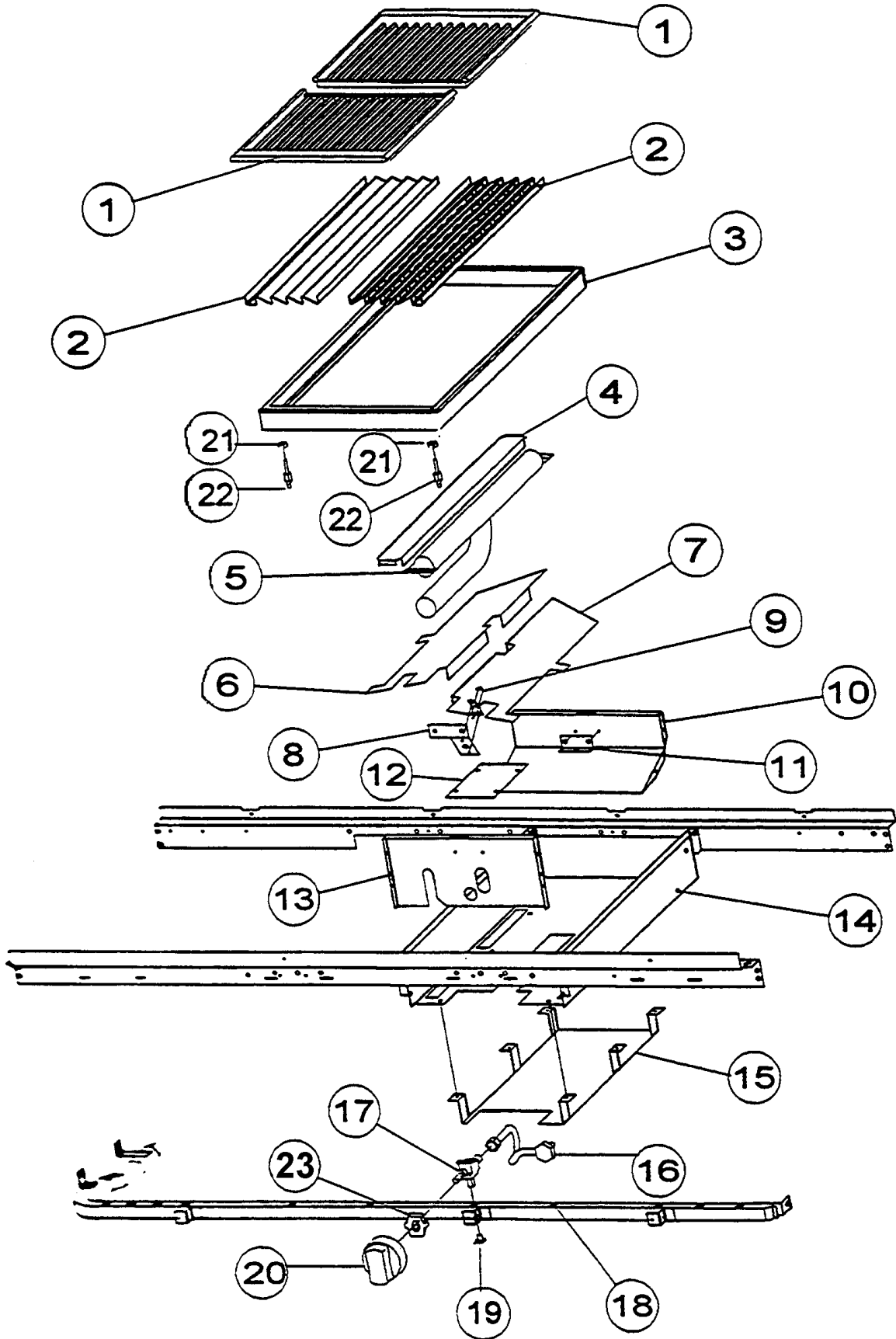


Item	Part No.	Name	Qty	Uom	NOTES
PB03000 7	007147-000	SHUT OFF VALVE	1	EA	
Not Shown	NOTE	(After 2/23/05)		EA	
23	PB020116	TUBING - 10" FLEXIBLE 12 & 24"	1	EA	
24	PD030031	THERMAL BULB CLIP - .250	1	EA	
25	PE050023	OVEN IND. LIGHT (LENS & BEZEL)	1	EA	
Not Shown	PE050024	OVEN IND. LIGHT (LIGHT HOUSING)	1	EA	
<p>Comments for Part Num. PE050024</p> <p>haarnink@vikingrange.com on Jan 14, 2019 please note that the indicator light is now part 043135-000 but needs the Jumper harness 051443-000. and second option there are units in the field with a 230V indicator light part number 036566-000.</p> <p>please check this for all "E" module ranges/Tops</p>					
26	A2002147	GRIDDLE FLUE COVER (VGRT/VGSS/VGIS)	1	EA	
NI	PB040034	ORIFICE HOOD-#50 (NAT)	1	EA	
NI	PB040036	ORIFICE HOOD-#57 (LP)	1	EA	
NI	A2001179	BACK SUPT (VGRT)	1	EA	

GRILL ASSY



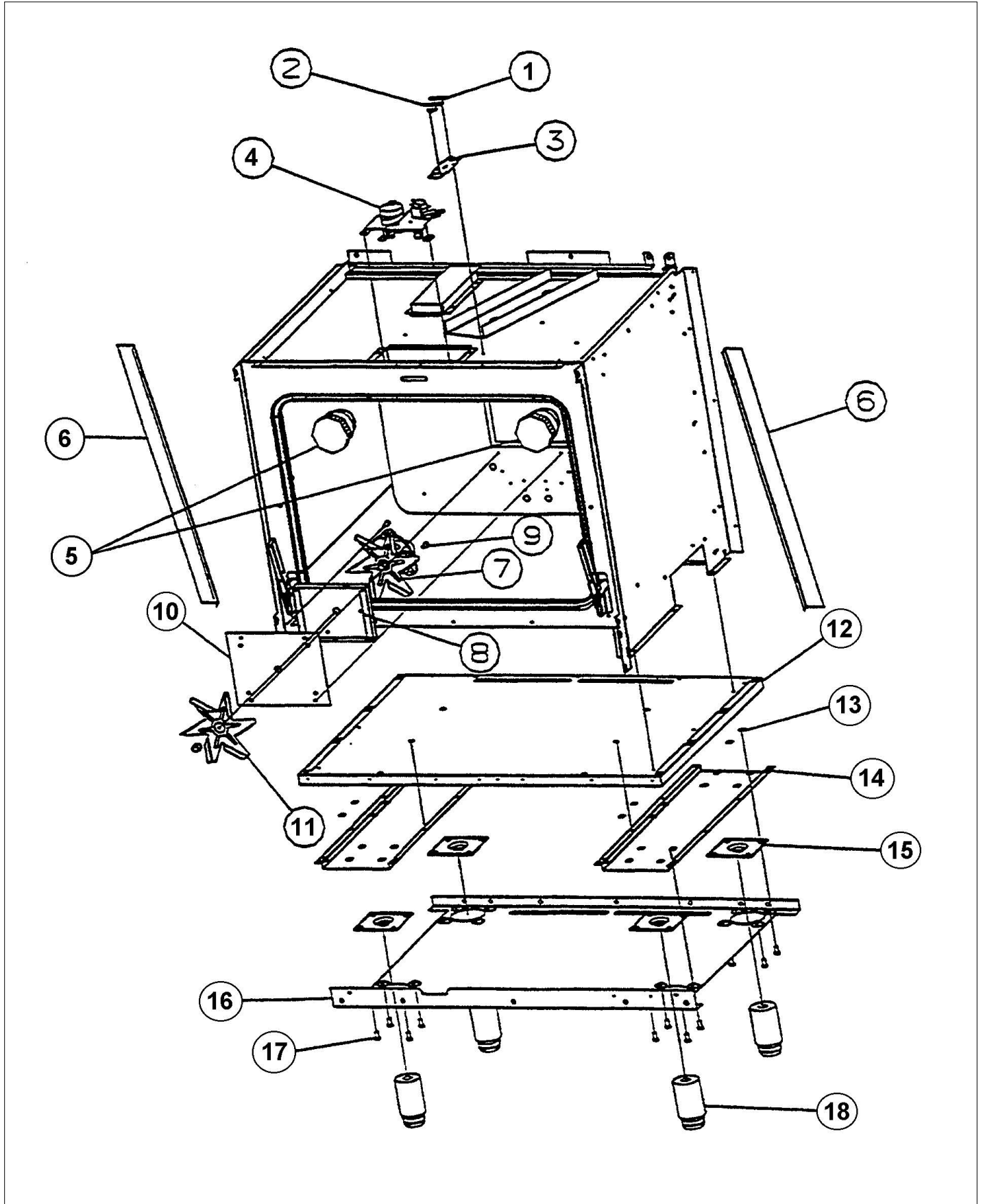
Item	Part No.	Name	Qty	Uom	NOTES
1	PA060058	GRILL GRATE - MATT *BK* RE PA060028	1	EA	
2	E9101130BK	GRILL SMOKE GENERATOR	1	EA	
3	G9101182AL	GRILL GRATE SUPT (VGRT) *AL*	1	EA	NO LONGER AVAILABLE
3	G9101182BK	GRILL GRATE SUPT (VGRT) *BK*	1	EA	
3	G9101182BT	GRILL GRATE SUPT (VGRT) *BT*	1	EA	NO LONGER AVAILABLE
3	G9101182CB	GRILL GRATE SUPT (VGRT) *CB*	1	EA	NO LONGER AVAILABLE
3	G9101182EP	GRILL GRATE SUPT (VGRT) *EP*	1	EA	NO LONGER AVAILABLE
3	G9101182FG	GRILL GRATE SUPT (VGRT) *FG*	1	EA	NO LONGER AVAILABLE
3	G9101182GG	GRILL GRATE SUPPORT - GG	1	EA	Not available online / Call for pricing and availability
3	G9101182LE	GRILL GRATE SUPT (VGRT) *LE*	1	EA	NO LONGER AVAILABLE, Not available online / Call for pricing and availability
3	G9101182LN	GRILL GRATE SUPT (VGRT) *LN*	1	EA	NO LONGER AVAILABLE, Not available online / Call for pricing and availability
3	G9101182MJ	GRILL GRATE SUPT (VGRT) *MJ*	1	EA	NO LONGER AVAILABLE, Not available online / Call for pricing and availability
3	G9101182PL	GRILL GRATE SUPT (VGRT) *PL*	1	EA	NO LONGER AVAILABLE, Not available online / Call for pricing and availability
3	G9101182SG	GRILL GRATE SUPT (VGRT) *SG*	1	EA	NO LONGER AVAILABLE, Not available online / Call for pricing and availability
3	G9101182VB	GRILL GRATE SUPT (VGRT) *VB*	1	EA	NO LONGER AVAILABLE
3	G9101182WH	GRILL GRATE SUPT (VGRT) *WH*	1	EA	
4	B2001140	GRILL FLAME SHIELD (VGRT)	1	EA	





Item	Part No.	Name	Qty	Uom	NOTES
5	PB050077	GRILL BURNER	1	EA	
6	B2001856	GRILL HEAT DEFLECTOR-LH (VGRC60)	1	EA	
7	B2001857	GRILL HEAT DEFLECTOR-RH (VGRC60)	1	EA	
8	A2001633	GRILL FRONT SPARKER BRKT (VGRC)	1	EA	
9	PA020028	SPARK IGNITER	1	EA	
10	A2001855	GRILL BACK - (VGRC605)	1	EA	
11	A2001132	REAR GRILL BURNER BRKT (VGRT)	1	EA	
12	A1001862	GRILL VENTURI COVER (VGRC605)	1	EA	
13	A2001631	GRILL BOX FRONT (VGRC)	1	EA	
14	A2001852	GRILL BOX - (VGRC605)	1	EA	
15	A2001863	GRILL BTM SHIELD (VGRC605)	1	EA	
16	PB020025	TUBING-GRILL (REVISED) REP PB020021	1	EA	
17	PA010030	GRILL VALVE-(VGRT)	1	EA	
18	002158-000	36" UNIVERSAL MANIFOLD	1	EA	
19	PD010012	VALVE BOLT 1/4-20 UNC-2B 5/16" M.S.	1	EA	
20	PA010039	TOP GRILL KNOB*BK* (VGRC) (N/STYLE	1	EA	
20	PA010040	TOP GRILL KNOB*WH* (VGRC) (N/STYLE	1	EA	
21	PD030012	6-32 HEX NUT	1	EA	
22	PD010017	BALL STUD (VGRT)	1	EA	
23	PA020011	SPARK IGN SWITCH REPL PA020012	1	EA	
NI	PB040061	ORIFICE HOOD - #48	1	EA	

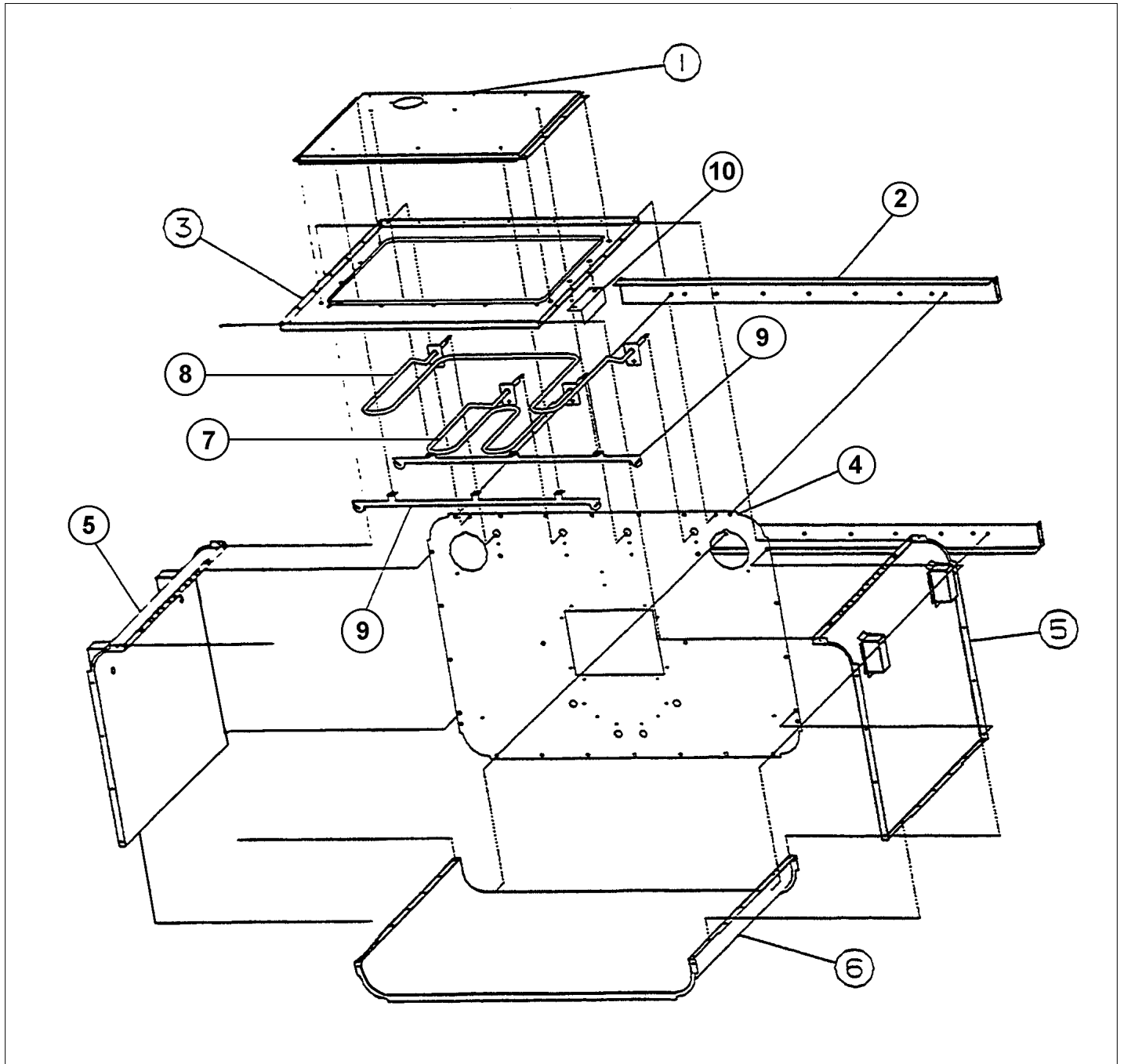
OUTER OVEN CAVITY (TOP-BTM)





Item	Part No.	Name	Qty	Uom	NOTES
1	PJ030005	SWITCH (HIGH-LIMIT) VDSC		EA	
2	PJ030006	SWITCH (COOLING FAN)		EA	
3	A1002456	THERMO-DISC BRKT (VDSC)		EA	
4	PE050053	DR LATCH REPL PE050020		EA	
5	031449-000	LAMP, ASM		EA	
6	A2002475	SIDE PANEL DIVERTER (VDSC)		EA	NO LONGER AVAILABLE
7	PE050005	CONVECTION FAN ASSY		EA	
8	A2002595	CONVECTION FAN BOX (VDSC)		EA	
9	PD020003	#10 X 1/2 T(A) HEX WASHER HEAD		EA	
10	A1002596	CONVECTION FAN COVER (VDSC)		EA	
11	PE050035	CONVECTION FAN BLADE		EA	
Not Shown	NOTE	(MUST ORDER ITEM 7)		EA	
12	A2002784	BTM INSUL. SHIELD (VDSC365)		EA	NO LONGER AVAILABLE
13	PD030029	SELF RETAINING NUT (1/4-20)		EA	
14	A2002482	LEG BRACE (VDSC)		EA	NO LONGER AVAILABLE
15	PC030007	LEG PLATE - 3/4" THREADED HOLE		EA	
16	A2002783	MAIN BTM (VDSC365)		EA	NO LONGER AVAILABLE
17	PD010006	HEX HD. BOLT - 1/4-20 X 1/2		EA	
18	PC030017	4" LEG ASSY		EA	

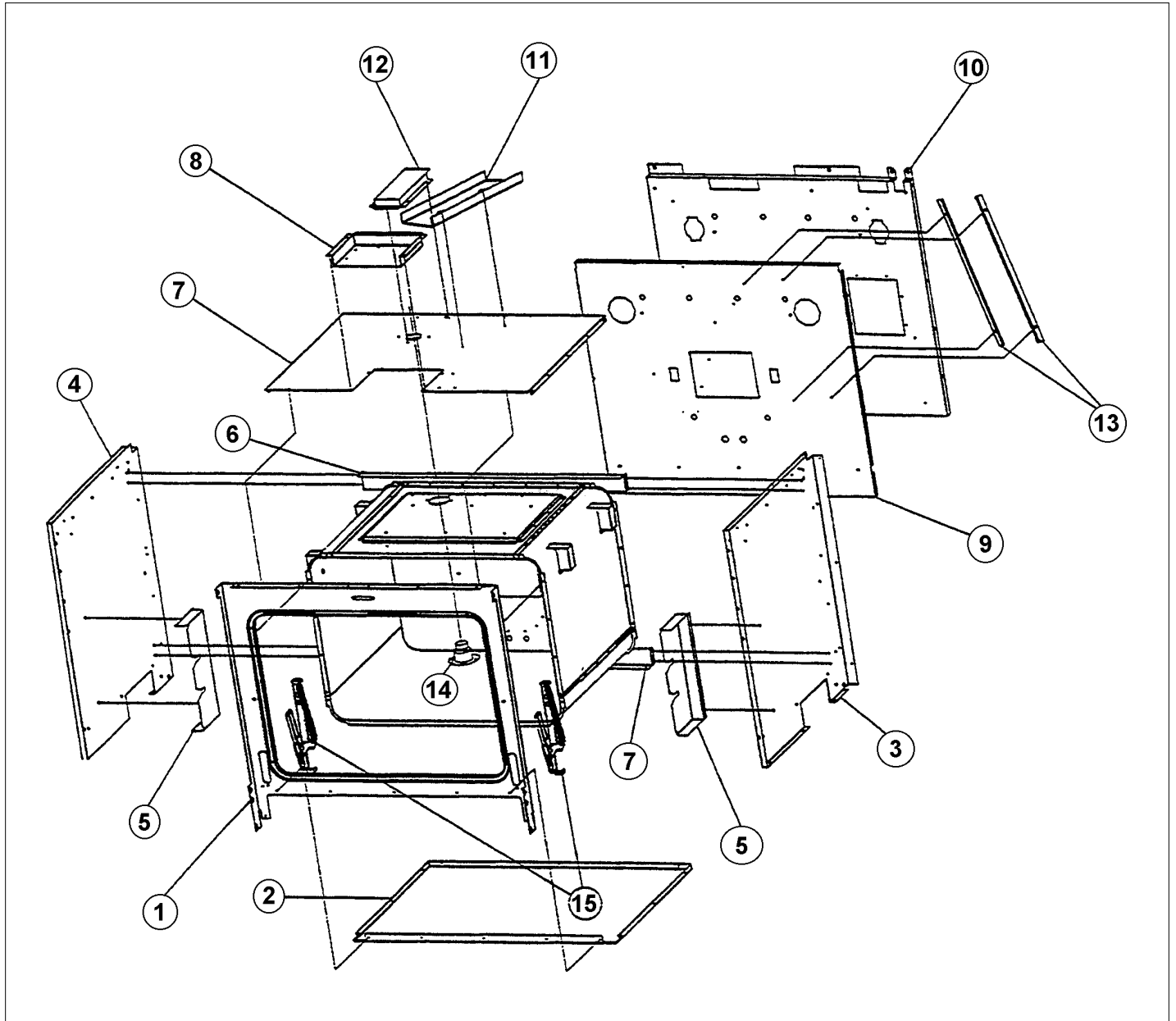
OVEN CAVITY ASSY



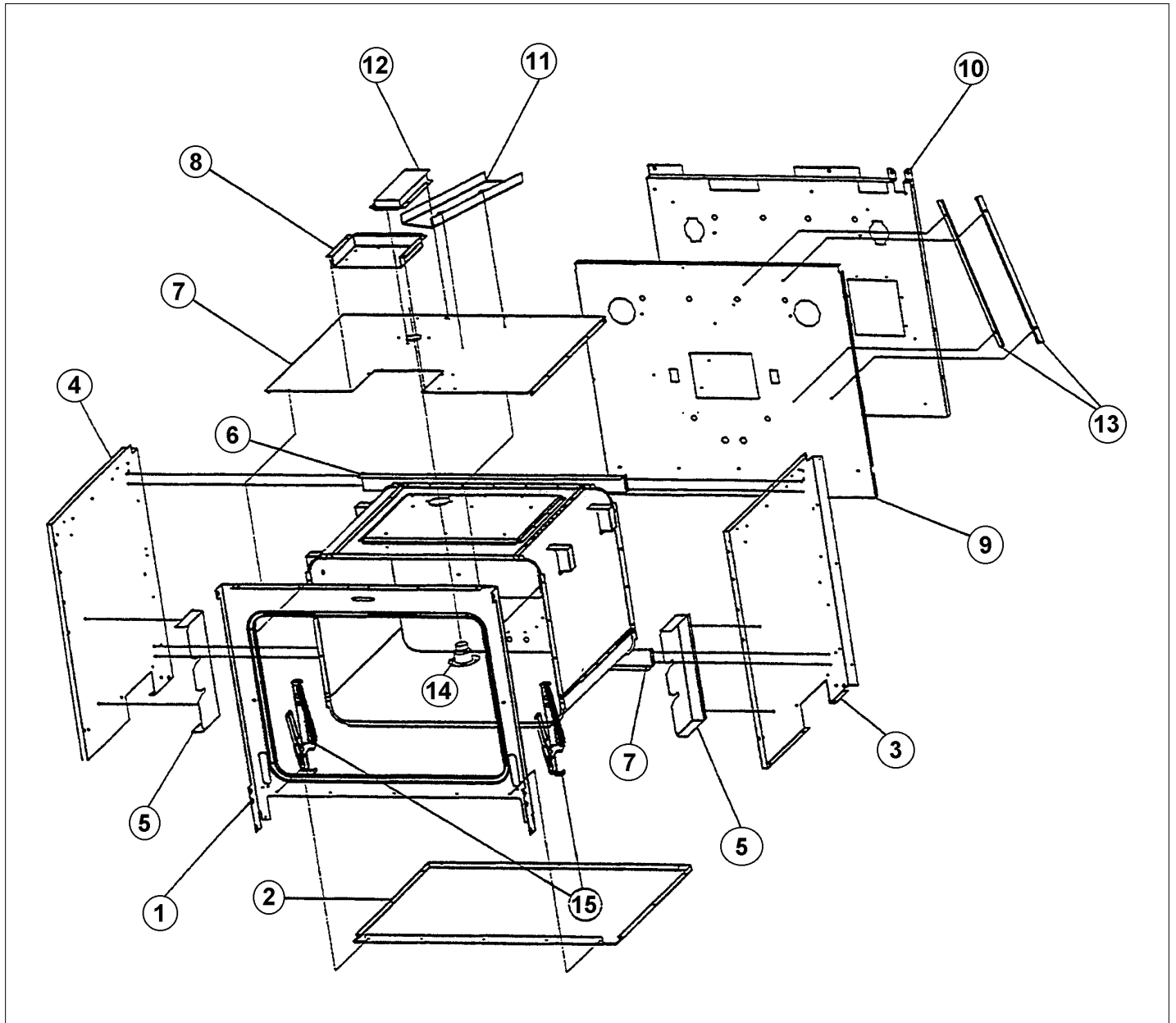


Item	Part No.	Name	Qty	Uom	NOTES
1	B2002167	BROILER TOP (VDSC)	1	EA	NO LONGER AVAILABLE
2	A2002789	REAR OVEN SUPT (VDSC365)	1	EA	NO LONGER AVAILABLE, Not available online / Call for pricing and availability
3	G9102665	OVEN TOP LINER ASSY (VDSC36)	1	EA	NO LONGER AVAILABLE, Not available online / Call for pricing and availability
4	E9102742	OVEN BACK (VDSC36)	1	EA	NO LONGER AVAILABLE, Not available online / Call for pricing and availability
5	G9102736	OVEN SIDE ASSY (VDSC)	1	EA	NO LONGER AVAILABLE, Not available online / Call for pricing and availability
6	E9102152	OVEN BTM (VDSC)	1	EA	NO LONGER AVAILABLE
7	PJ010001	BROIL ELEMENT 240V	1	EA	
8	PJ010002	BROIL ELEMENT(MAXI)-SIDE (VDSC)240V	1	EA	
9	B2002185	BROIL ELEMENT BRKT (VDSC)	1	EA	
NI	PD020003	#10 X 1/2 T(A) HEX WASHER HEAD	1	EA	
NI	PD020048	NO.10 X 1/2 TEK 410 SS SCREW	1	EA	
10	B2002489	THERMAL BULB SHIELD (VDSC)	1	EA	

OVEN CAVITY INSUL. RETNR. ASSY



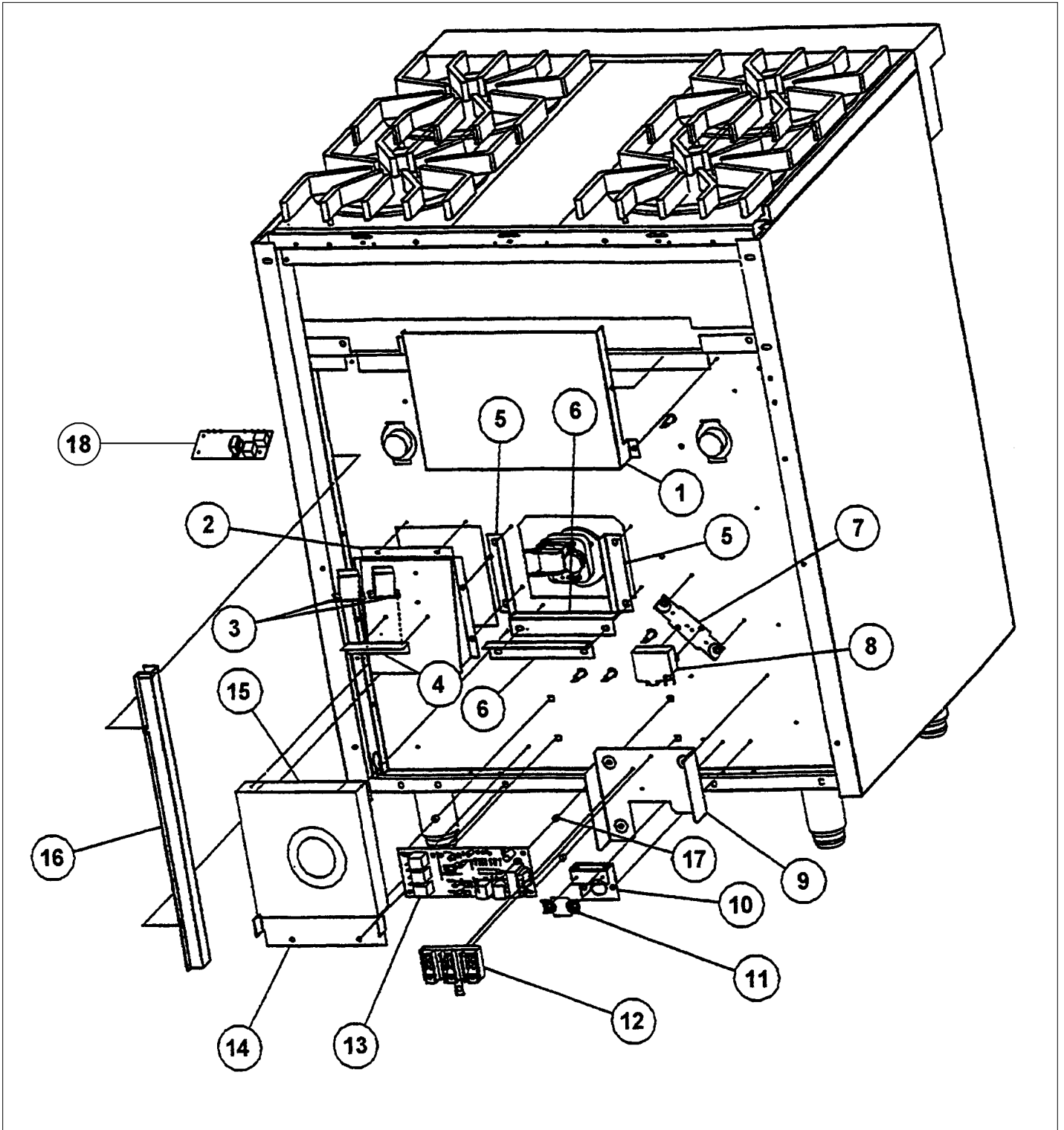
Item	Part No.	Name	Qty	Uom	NOTES
1	G9102744	OVEN FRONT FRAME ASSY (VDSC36)	1	EA	Not available online / Call for pricing and availability
2	A2002785	OVEN BTM.INSUL. RETAINER (VDSC365)	1	EA	NO LONGER AVAILABLE, Not available online / Call for pricing and availability
3	A2002155	OVEN SIDE INSUL.RETAINER-RH(VDSC)	1	EA	NO LONGER AVAILABLE, Not available online / Call for pricing and availability
4	A2002156	OVEN SIDE INSUL.RETAINER-LH(VDSC)	1	EA	NO LONGER AVAILABLE, Not available online / Call for pricing and availability
5	A2002183	HINGE INSULATION COVER (VDSC)	1	EA	
6	A2002789	REAR OVEN SUPT (VDSC365)	1	EA	NO LONGER AVAILABLE, Not available online / Call for pricing and availability
7	A2002791	OVEN TOP INSUL. RETAINER (VDSC365)	1	EA	NO LONGER AVAILABLE, Not available online / Call for pricing and availability
8	A2002168	DOOR LATCH BRKT (VDSC)	1	EA	
9	A2002786	OVEN BACK INSUL. RETAINER (VDSC365)	1	EA	NO LONGER AVAILABLE, Not available online / Call for pricing and availability
10	A2002787	O/S BACK (VDSC365)	1	EA	NO LONGER AVAILABLE
11	A2002450	LATCH COOLING DUCT (VDSC)	1	EA	NO LONGER AVAILABLE, Not available online / Call for pricing and availability
12	A2002479	SMOKE ELIMINATOR VENT (VDSC)	1	EA	
13	A2002477	AIR WASH ANGLE (VDSC)	1	EA	NO LONGER AVAILABLE, Not available online / Call for pricing and availability
14	PM010014	SMOKE ELIMINATOR (VDSC)	1	EA	



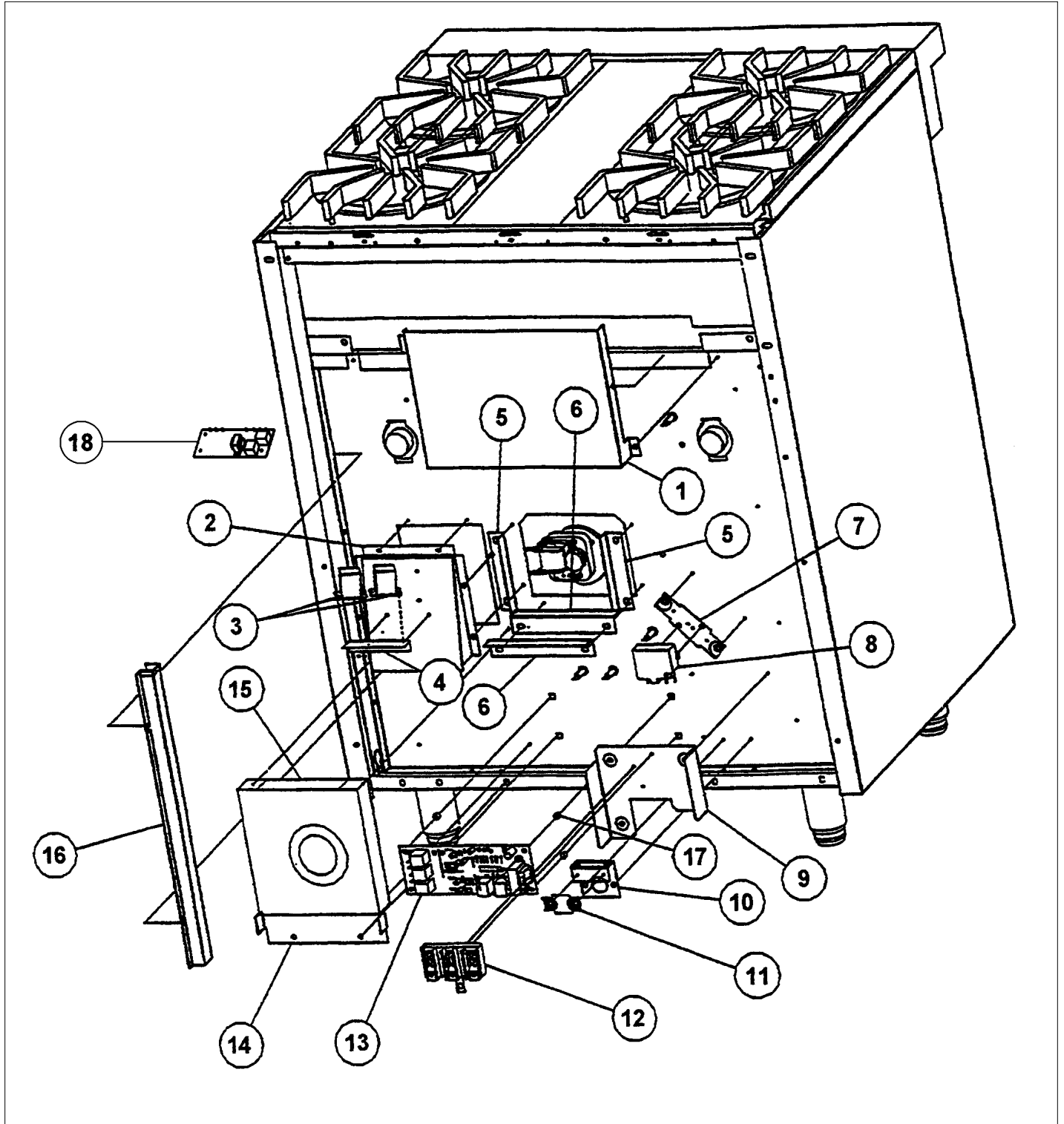


Item	Part No.	Name	Qty	Uom	NOTES
15	PC020126	HINGE ASSEMBLY	1	EA	

REAR PANEL ASSY



Item	Part No.	Name	Qty	Uom	NOTES
1	A2002790	AIR FLUE (LARGE-BACK) VDSC365)	1	EA	NO LONGER AVAILABLE
2	A2002180	COOLING FAN HOUSING (VDSC)	1	EA	NO LONGER AVAILABLE
3	PM010025	RELAY (DOUBLE POLE- DOUBLE THROW)	1	EA	
4	A2007827	RELAY MOUNTING BRACKET	1	EA	NO LONGER AVAILABLE, Not available online / Call for pricing and availability
5	A2001746	SIDE FAN SHIELD	1	EA	Not available online / Call for pricing and availability
6	A2008467	INSULATION SHIELD	1	EA	
7	A1002456	THERMO-DISC BRKT (VDSC)	1	EA	
8	PJ030002	AUTO RESET (SELF-CLEAN) VDSC	1	EA	
9	A2002193	ELECTRICAL MOUNTING BRKT (VDSC)	1	EA	NO LONGER AVAILABLE
10	A2002195	POWER CORD MOUNTING BRKT (VDSC)	1	EA	
11	A1002457	POWER CORD MOUNTING STRAP (VDSC)	1	EA	
12	PE070147	TERMINAL BLOCK (VDSC)	1	EA	
13	PE070148	SELF-CLEAN BOARD/TIMER (VDSC)	1	EA	
14	A2002579	WIRE SHIELD (VDSC)	1	EA	Not available online / Call for pricing and availability
15	PE050026	COOLING FAN (VDSC)	1	EA	
16	A2000210	WIRE CHANNEL	1	EA	NO LONGER AVAILABLE, Not available online / Call for pricing and availability
17	PD030033	GROMMET NUT-ROUND HD. #8 X .500DIA.	1	EA	
18	G5007606	PRE-HEAT BOARD KIT (RANGE)	1	EA	
Not Shown	NOTE	(BEFORE 03/04/03)		EA	
Not Shown	PE070308	PRE-HEAT BOARD	1	EA	





Item	Part No.	Name	Qty	Uom	NOTES
Not Shown	NOTE	(AFTER 03/04/03)		EA	
NI	PE070321	RANGE PREHEAT HARNESS	1	EA	



Appendix A:Pages Index

BACKGUARD-BACK COVER ASSY 1
BURNER BOX SUBASSY (VIEW 1) 2
BURNER BOX SUBASSY (VIEW 2) 3
DOOR ASSY 4
DRIP TRAY ASSY 5
EXTERIOR ASSY (VIEW 1) 6
EXTERIOR ASSY (VIEW 2) 7
EXTERIOR ASSY (VIEW 3) 8
GRIDDLE ASSY 9
GRILL ASSY 10
OUTER OVEN CAVITY (TOP-BTM) 11
OVEN CAVITY ASSY 12
OVEN CAVITY INSUL. RETNR. ASSY 13
REAR PANEL ASSY 14



Appendix B:Parts Index

000268-000	4	A2002155	13
000594-000	4	A2002156	13
000623-000	4	A2002168	13
002158-000	3, 9, 10	A2002180	14
003515-00	3	A2002183	13
003862-000	9	A2002189	4
007147-000	9	A2002193	14
019501-000	7	A2002195	14
031449-000	11	A2002323	2
A1001138	3	A2002343	3
A1001198	9	A2002367	4
A1001636	9	A2002382	2, 9
A1001862	10	A2002450	13
A1002456	11, 14	A2002451	6
A1002457	14	A2002454	1
A1002492	2	A2002475	11
A1002596	11	A2002477	13
A2000210	2, 14	A2002479	13
A2000667	2	A2002482	11
A2001105	2, 9	A2002490	2
A2001112	3	A2002491	2
A2001132	10	A2002497	4
A2001147	3	A2002498	4
A2001148	9	A2002499	4
A2001160	2	A2002579	14
A2001179	9	A2002595	11
A2001300	9	A2002654	1
A2001629	2	A2002663	3
A2001630	9	A2002783	11
A2001631	10	A2002784	11
A2001633	10	A2002785	13
A2001746	14	A2002786	13
A2001852	10	A2002787	13
A2001855	10	A2002789	12, 13
A2001863	10	A2002790	14
A2001880	9	A2002791	13
A2001881	9	A2002792	2
A2001949	9	A2002793	2
A2002001	9	A2002800	4
A2002147	9	A2002801	3
		A2002802	3



A2004295	1	C9002597BK	6
A2004297	1	C9002597BT	6
A2007827	14	C9002597BU	6
A2008467	14	C9002597CB	6
B2001140	10	C9002597EP	6
B2001504	7	C9002597FG	6
B2001856	10	C9002597GG	6
B2001857	10	C9002597LE	6
B2002167	12	C9002597LN	6
B2002185	12	C9002597MJ	6
B2002345	7	C9002597PL	6
B2002346	7	C9002597SG	6
B2002489	12	C9002597VB	6
B2002597	6	C9002597WH	6
B2002653	5	C9002598AL	6
B2002798	4	C9002598BK	6
B2006750	6	C9002598BT	6
B9202794	8	C9002598BU	6
B9202795	8	C9002598CB	6
B9202796	8	C9002598EP	6
B9203171	8	C9002598FG	6
B9203172	8	C9002598GG	6
B9203173	8	C9002598LE	6
C9001504AL	7	C9002598LN	6
C9001504BK	7	C9002598MJ	6
C9001504BT	7	C9002598PL	6
C9001504BU	7	C9002598SG	6
C9001504CB	7	C9002598VB	6
C9001504EP	7	C9002598WH	6
C9001504FG	7	C9002798AL	4
C9001504GG	7	C9002798BK	4
C9001504LE	7	C9002798BT	4
C9001504LN	7	C9002798BU	4
C9001504MJ	7	C9002798CB	4
C9001504PL	7	C9002798EP	4
C9001504SG	7	C9002798FG	4
C9001504VB	7	C9002798GG	4
C9001504WH	7	C9002798LE	4
C9002178	4	C9002798LN	4
C9002179	4	C9002798MJ	4
C9002597AL	6	C9002798PL	4



C9002798SG	4	G3202805SS	4
C9002798VB	4	G3202805SSBR	4
C9002798WH	4	G3202805VB	4
C9302345BR	7	G3202805VBBR	4
C9302346BR	7	G3202805WH	4
E9101130BK	10	G3202805WHBR	4
E9102152	12	G4002752	5
E9102742	12	G50010121	4, 4
E9107933	8	G50012678	3
E9107934	8	G50012681	3
G30010455	5	G50013584AL	7
G30010696	5	G50013584BK	7
G3001278	9	G50013584BT	7
G3001585	8	G50013584CB	7
G3002824	5	G50013584EP	7
G3202805AL	4	G50013584FG	7
G3202805ALBR	4	G50013584GG	7
G3202805BK	4	G50013584LE	7
G3202805BKBR	4	G50013584LN	7
G3202805BT	4	G50013584MJ	7
G3202805BTBR	4	G50013584PL	7
G3202805BU	4	G50013584SG	7
G3202805BUBR	4	G50013584VB	7
G3202805CB	4	G50013584WH	7
G3202805CBBR	4	G5007606	14
G3202805EP	4	G9101182AL	10
G3202805EPBR	4	G9101182BK	10
G3202805FG	4	G9101182BT	10
G3202805FGBR	4	G9101182CB	10
G3202805GG	4	G9101182EP	10
G3202805GGBR	4	G9101182FG	10
G3202805LE	4	G9101182GG	10
G3202805LEBR	4	G9101182LE	10
G3202805LN	4	G9101182LN	10
G3202805LNBR	4	G9101182MJ	10
G3202805MJ	4	G9101182PL	10
G3202805MJBR	4	G9101182SG	10
G3202805PL	4	G9101182VB	10
G3202805PLBR	4	G9101182WH	10
G3202805SG	4	G9102665	12
G3202805SGBR	4	G9102736	12



G9102744	13	PB010103	9
G9102750	6	PB010104	9
G93011459PVD	5	PB010129	8
J1002799	4	PB010130	8
J2002593	6	PB010132	8
J2101749	5	PB010206	8
PA010012	3	PB010207	8
PA010030	10	PB010208	8
PA010034	8	PB010209	8
PA010035	8	PB010230	8
PA010039	10	PB020025	10
PA010040	10	PB020116	9
PA020011	10	PB040001	9
PA020015	3	PB040034	3, 9
PA020028	3, 10	PB040036	3, 9
PA020041	3	PB040061	10
PA020045	3	PB050077	9, 10
PA030002AL	7	PB060030	8
PA030002BK	7	PB060045	8
PA030002BT	7	PB070024	4
PA030002CB	7	PB070034	2, 4
PA030002EP	7	PC020126	13
PA030002FG	7	PC030007	11
PA030002GG	7	PC030017	11
PA030002LE	7	PD010006	11
PA030002LN	7	PD010012	3, 10
PA030002MJ	7	PD010017	7, 9, 10
PA030002PL	7	PD010018	1
PA030002SG	7	PD020003	11, 12
PA030002VB	7	PD020005	7
PA030002WH	7	PD020048	12
PA060037	7	PD020049	5
PA060038	7	PD030005	6
PA060058	10	PD030012	7, 9, 10
PA070003	3	PD030029	11
PA080015	7	PD030031	9
PA080016	7	PD030032	8
PA080036	3	PD030033	14
PA080037	3	PD030050	8
PB010004	9	PD040004	5
PB010035	9	PD040005	3, 6



PD040020	7	PM010129	6
PD040028	5	PS500032	8
PE010030	4	PS510002	5
PE010031	4		
PE010068	4		
PE010076	4		
PE030001PVD	4		
PE030006	4		
PE030013PVD	4		
PE050005	11		
PE050016	8		
PE050017	8		
PE050023	8, 9		
PE050024	8, 9		
PE050026	14		
PE050035	11		
PE050053	11		
PE060030	4		
PE060031	4		
PE060039	4		
PE060045	4		
PE070147	14		
PE070148	14		
PE070152	8		
PE070308	14		
PE070321	14		
PJ010001	12		
PJ010002	12		
PJ010003	6		
PJ010006	6		
PJ030001	8		
PJ030002	14		
PJ030003	8		
PJ030005	11		
PJ030006	11		
PK000007	2		
PK000008	2		
PK000009	5		
PK000010	5		
PM010014	13		
PM010025	14		