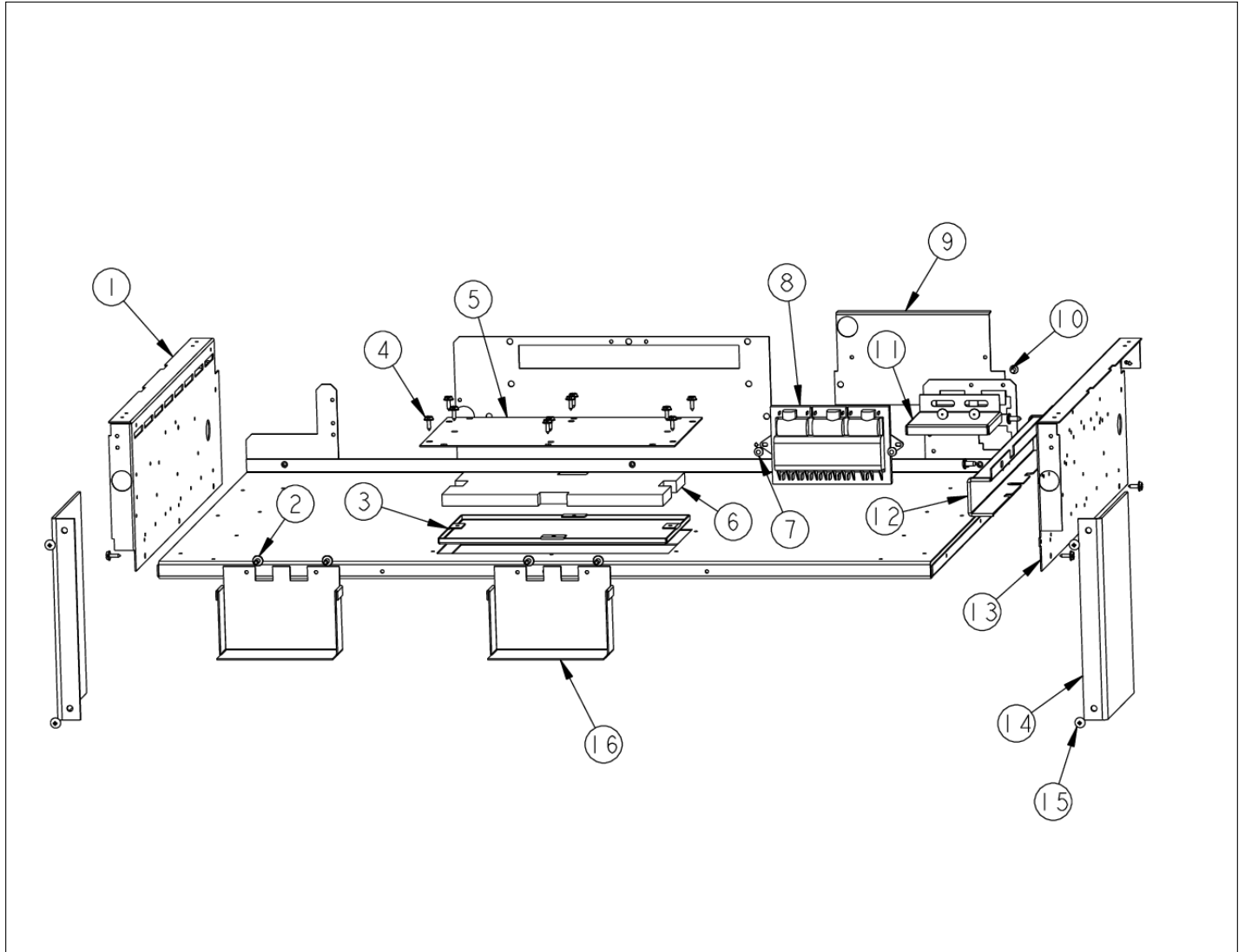


VDSC365-6BAFTER09-05-06

BURNER BOX INTERIOR	1
CONTROL AREA	2
DOOR ASSEMBLY	3
DRIP TRAY	4
G4002815 WIRING HARNESS - LINE	5
LOWER UNIT AREA	6
MAIN OVEN CAVITY	7
REAR UNIT AREA	8
SINGLE WIRING 1	9
SINGLE WIRING 2	10
SURFACE COOKING AREA	11
TOP BURNER IGNITER WIRE KIT	12
UPPER OVEN CAVITY	13
WIRING HARNESSES 1	14
WIRING HARNESSES 2	15
Appendix A:Pages Index	A
Appendix B:Parts Index	B

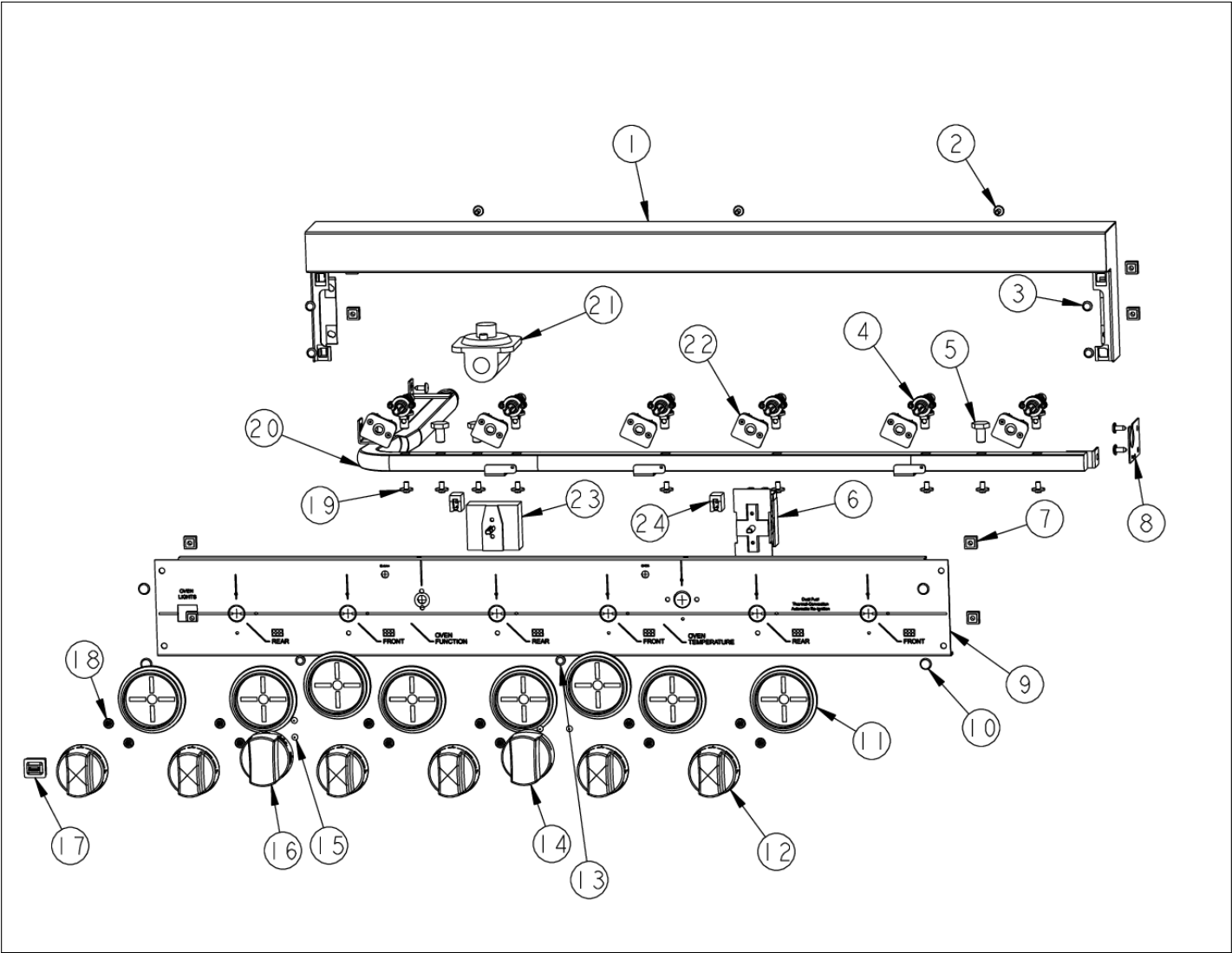
BURNER BOX INTERIOR





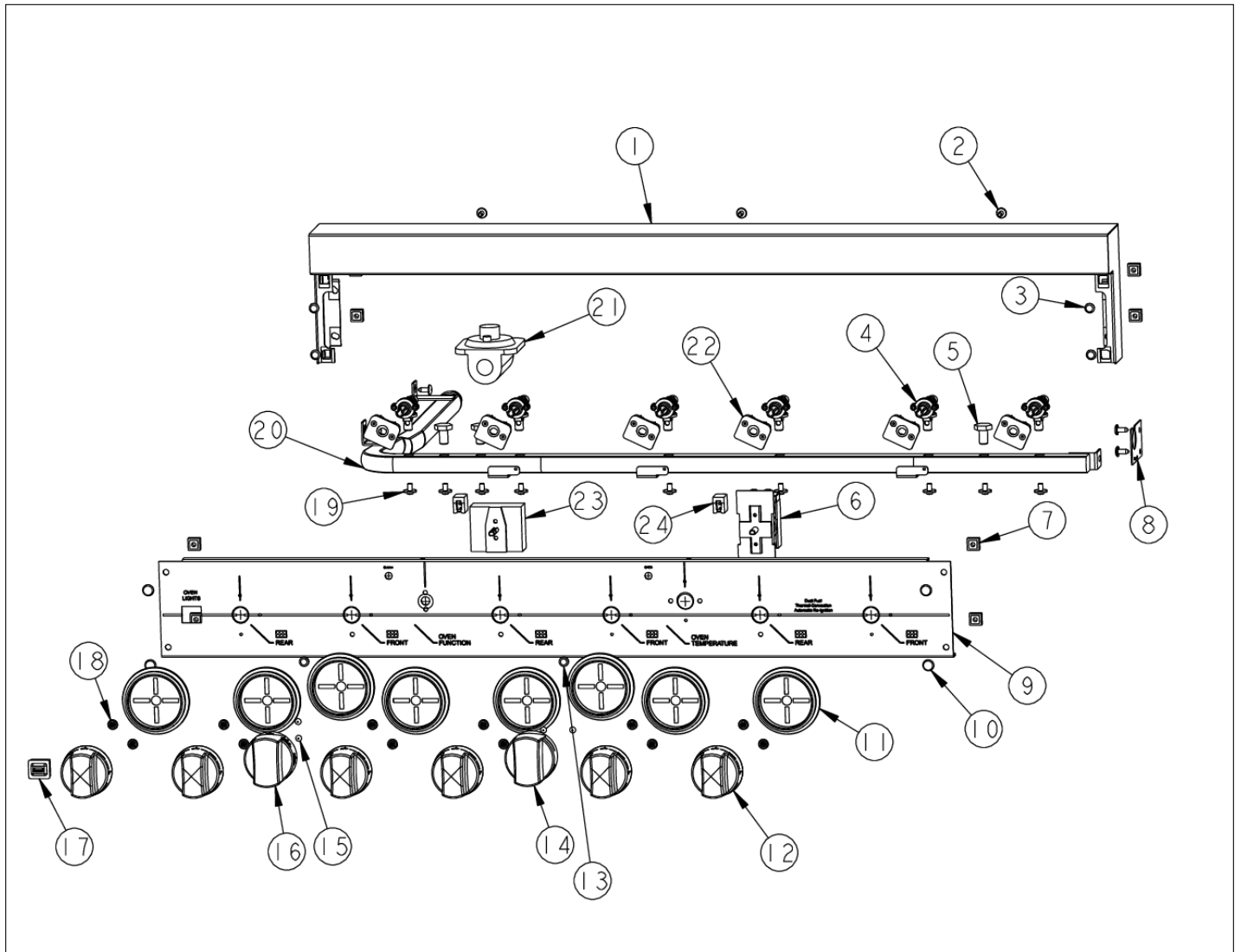
Item	Part No.	Name	Qty	Uom	NOTES
1	A2002491	BURNER BOX SIDE LH (VDSC)	1	EA	NO LONGER AVAILABLE, Not available online / Call for pricing and availability
2	PD020002	10 X 1/2 PH.TR.HD.SMS.	1	EA	
3	A20011246	VDSC487 DOOR LOCK INSUL. BOX	1	EA	NO LONGER AVAILABLE, Not available online / Call for pricing and availability
4	PD020003	#10 X 1/2 T(A) HEX WASHER HEAD	1	EA	
5	A1006344	DOOR LOCK ACCESS PANEL 48"	1	EA	NO LONGER AVAILABLE
6	PB070268	DOOR LOCK BOX INSULATION	1	EA	NO LONGER AVAILABLE
7	PD020004	10X3/8PH.HD.TYPE 25 REPL PD040125	1	EA	
8	PA020048	Spark Module (6B /6G/ 4Q)	1	EA	
9	A20016220	OUTSIDE BACK TOP PLATE	1	EA	NO LONGER AVAILABLE, Not available online / Call for pricing and availability
10	PD020010	10 X 3/8 GREEN GROUNDING SCREW	1	EA	
11	A2000667	SHIELD - OUTLET VRTR	1	EA	NO LONGER AVAILABLE
12	A2000210	WIRE CHANNEL	1	EA	NO LONGER AVAILABLE, Not available online / Call for pricing and availability
13	A2002490	BURNER BOX SIDE RH (VDSC)	1	EA	NO LONGER AVAILABLE
14	J2002593	Oven Side Heat Sink	1	EA	Not available online / Call for pricing and availability
15	PD010003	10-24 X 1/2 PH.TR.HD.SERD.M.S.	1	EA	
16	A2002809	THERMOSTAT SHIELD (VDSC36-6B)	1	EA	NO LONGER AVAILABLE, Not available online / Call for pricing and availability

CONTROL AREA





Item	Part No.	Name	Qty	Uom	NOTES
1	G3001585	36" LANDING LEDGE	1	EA	
2	PD020002	10 X 1/2 PH.TR.HD.SMS.	1	EA	
3	PD020032	SRW-8(A)X3/8"PH.WFR HD 7/16DIA*NICL	1	EA	
4	003515-000	PA010157 VALVE AND BOLT KIT	1	EA	
5	PA010012	ROPER PLUG	1	EA	
6	PS500033	SUB TO PS500033 - SELF CLEAN THERMOSTAT	1	EA	
7	PD030005	SELF RETAINING NUT	1	EA	
8	A1001138	MANIFOLD BRKT	1	EA	NO LONGER AVAILABLE, Not available online / Call for pricing and availability
9	B92010437	CONTROL PANEL VDSC36-6B	1	EA	
10	PD020033	SRW #10-24 X 1/2" T (23) PH WFR HD (NKL)	1	EA	
11	050172-000	BEZEL, KNOB	1	EA	
11	PB010209	Bezel - BR	1	EA	
12	PB010206	TOP BURNER KNOB BK	1	EA	
12	PB010207	TOP BURNER KNOB WH	1	EA	Not available online / Call for pricing and availability
13	PE050023	OVEN IND. LIGHT (LENS & BEZEL)	1	EA	
14	PB010129	THERMOSTAT KNOB *BK* (VDSC)	1	EA	
14	PB010130	THERMOSTAT KNOB *WH* (VDSC)	1	EA	
15	PD020006	' #6-32 X 1/4" PH.PAN HD. T(F)	1	EA	
16	PB010230	OVEN SELECT. KNOB*BK* VDSC307	1	EA	
16	PB010231	OVEN SELECT. KNOB*WH* VDSC307	1	EA	
17	PE050016	OVEN LIGHT SWITCH - *BK* (WES-GAR)	1	EA	
17	PE050017	OVEN LIGHT SWITCH - *WH* (WES-GAR)	1	EA	
18	PD020046	#8 X 1/2 SCREWS	1	EA	





Item	Part No.	Name	Qty	Uom	NOTES
19	PD010012	VALVE BOLT 1/4-20 UNC-2B 5/16" M.S.	1	EA	
20	002158-000	36" UNIVERSAL MANIFOLD	1	EA	
21	PA070003	PRESSURE REGULATOR (NAT.)	1	EA	
22	PA020045	Spark Ignition Switch	1	EA	
23	PJ030001	SELECTOR SWITCH (8- POSITION) VDSC	1	EA	
24	PE050024	OVEN IND. LIGHT (LIGHT HOUSING)	1	EA	

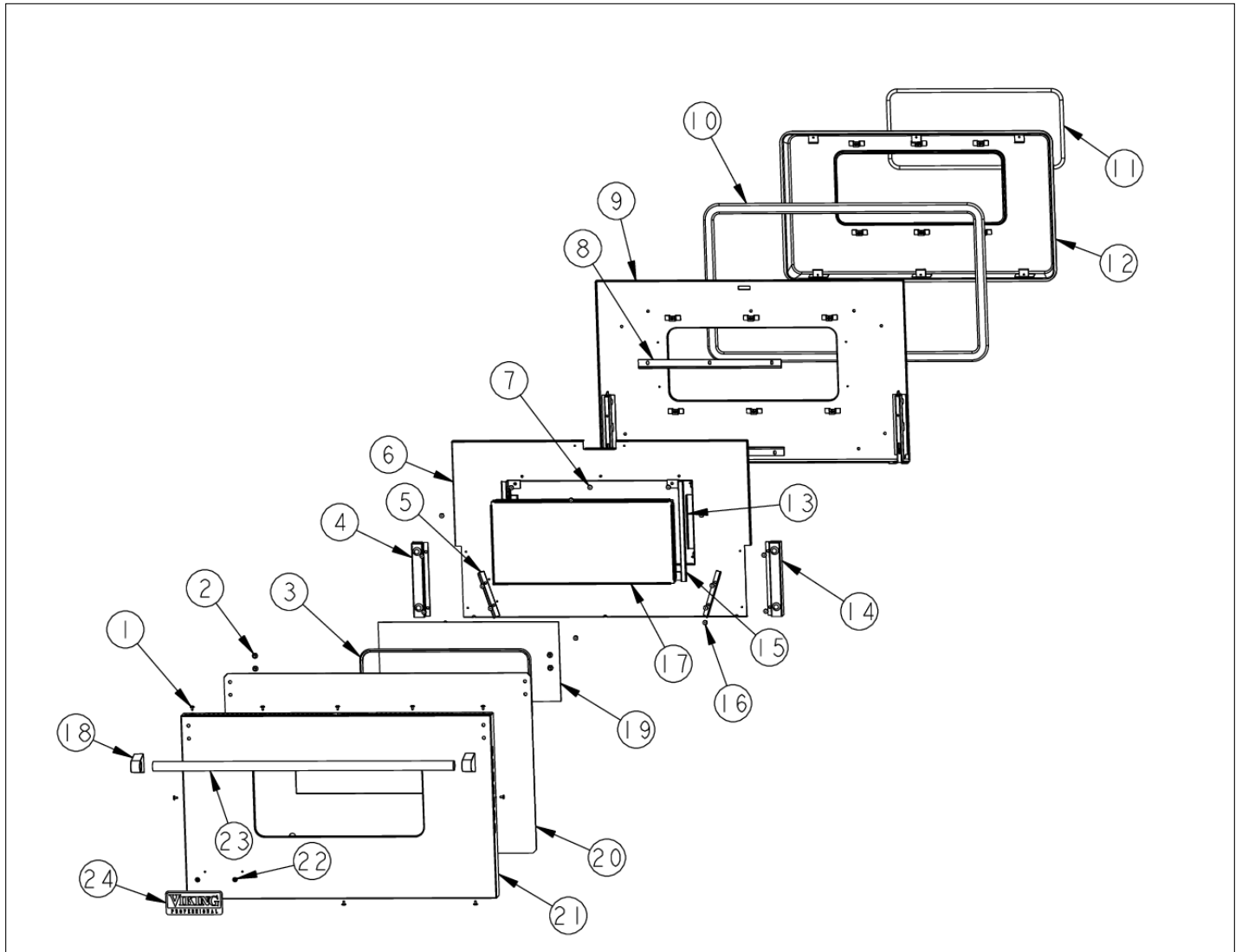
Comments for Part Num. PE050024

haarnink@vikingrange.com on Jan 14, 2019

please note that the indicator light is now part 043135-000 but needs the Jumper harness 051443-000. and second option there are units in the field with a 230V indicator light part number 036566-000.

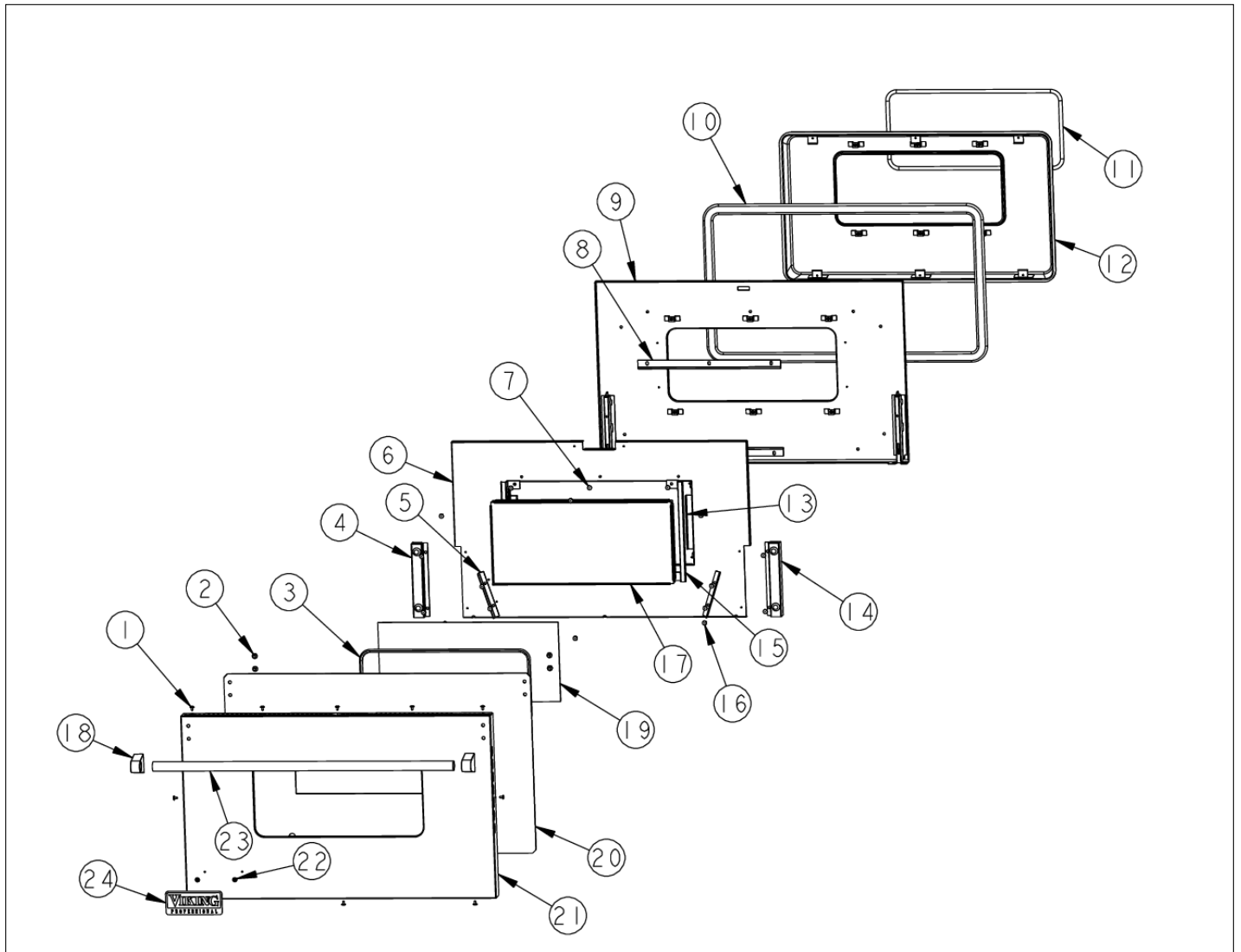
please check this for all "E" module ranges/Tops

DOOR ASSEMBLY

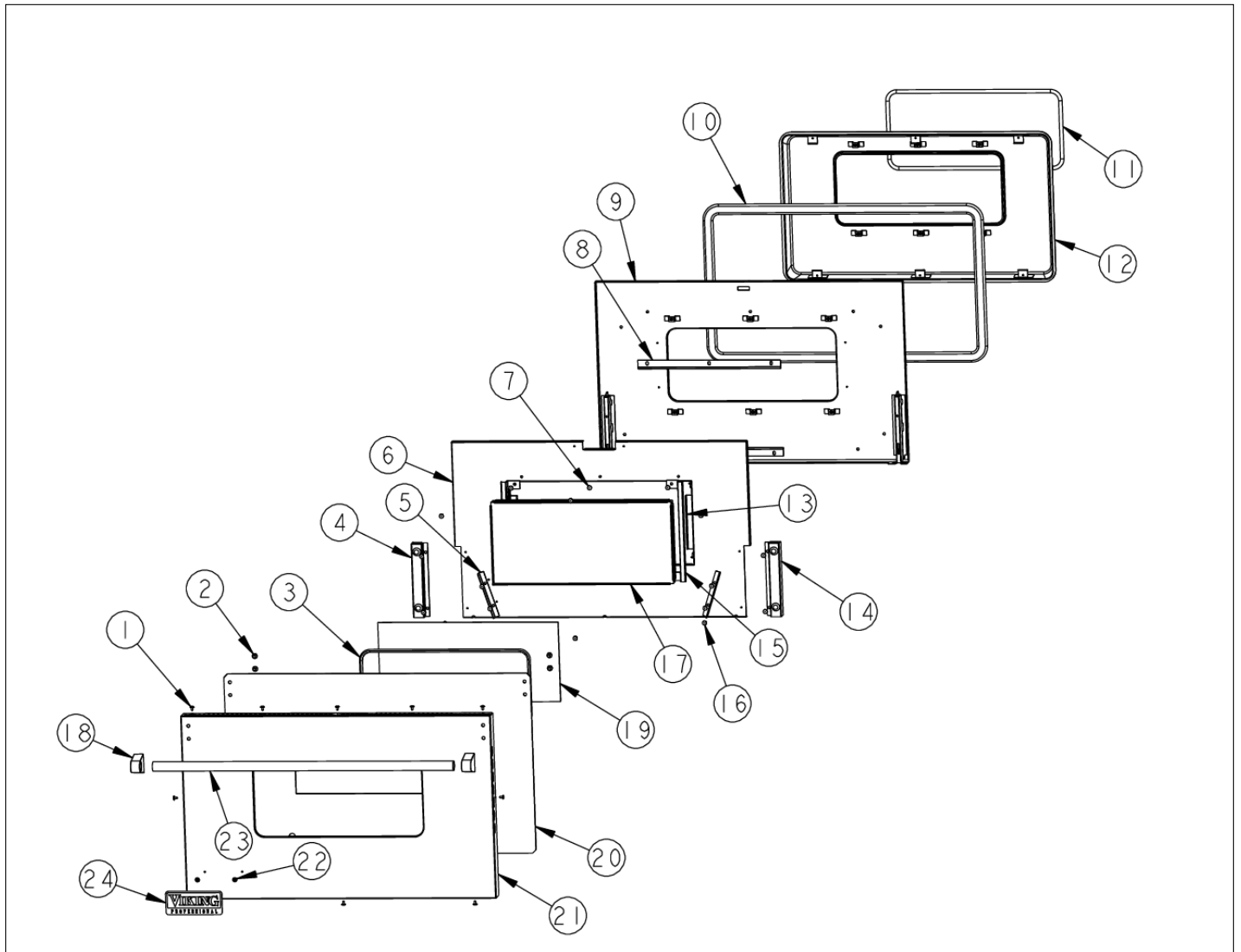




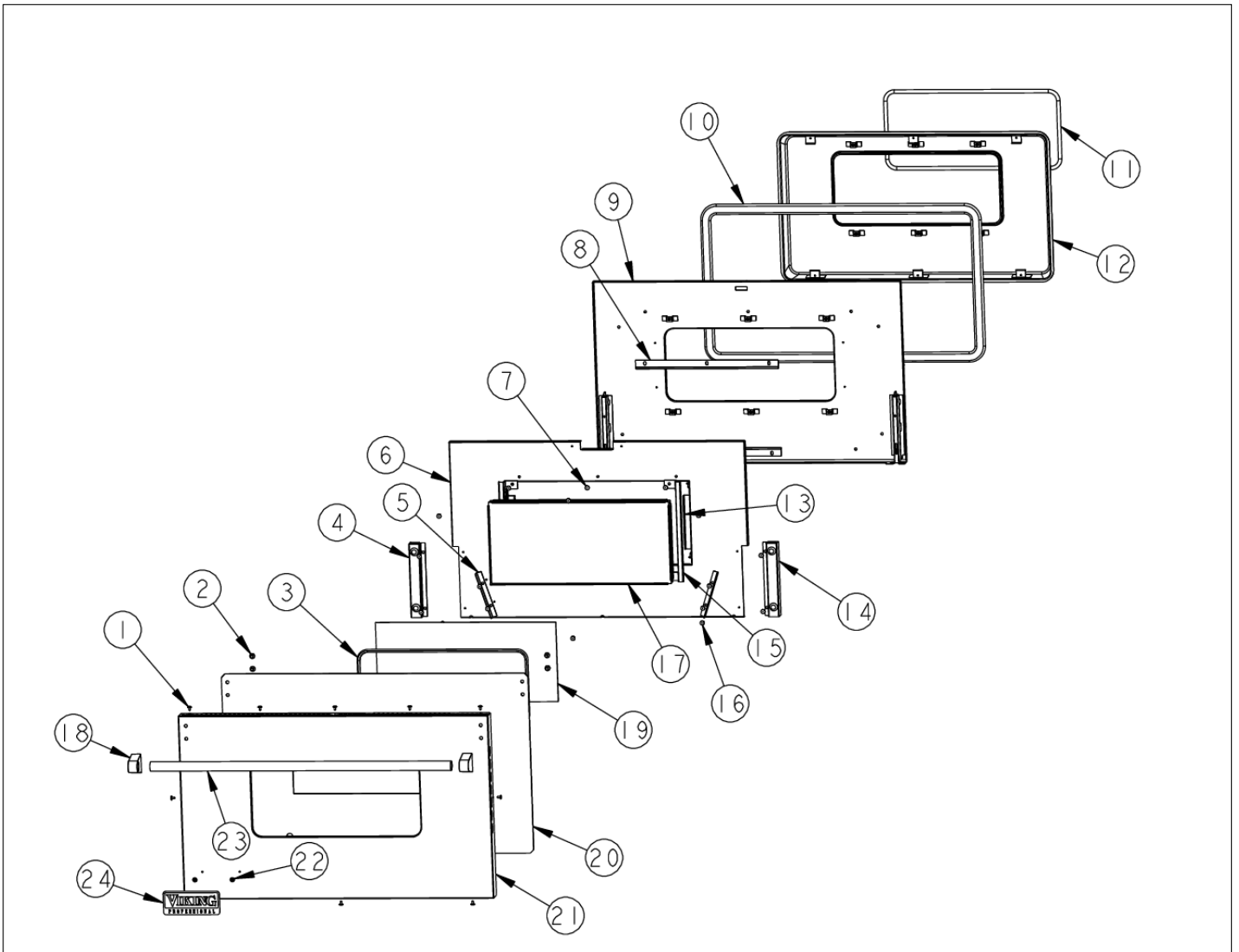
Item	Part No.	Name	Qty	Uom	NOTES
1	PD020032	SRW-8(A)X3/8"PH.WFR HD 7/16DIA*NICL	1	EA	
2	PD010019	BLT-1/4-20X3/8"HEX WASHER SERATED	1	EA	
3	PE060031	J-MOLD (LARGE WINDOW)	1	EA	
3	PE060045	J-MOLD (LARGE WINDOW) *BR*	1	EA	
4	A2002499	HINGE POCKET COVER LH	1	EA	
5	A2002497	DOOR GUIDE ANGLE VDSC	1	EA	
6	A2002800	DOOR INSULATION RETAINER (VDSC36)	1	EA	
7	PD020002	10 X 1/2 PH.TR.HD.SMS.	1	EA	
8	A2007943	GLASSPACK BRACKET, LARGE	1	EA	
9	G9102748	DOOR LINER ASSY (VDSC36)	1	EA	
10	000623-000	DOOR GASKET(3/8"DIA.) (VDSC)	1	EA	
11	000594-000	BLACK FIBERGLASS ROPE 3/8	1	EA	
12	G9102746	DOOR PLUG ASSY (VDSC36)	1	EA	
13	A2002189	DOOR GLASS STANDOFF (VDSC)	1	EA	
14	A2002498	HINGE POCKET COVER RH	1	EA	
15	A2002367	DOOR GLASS BRKT	1	EA	
16	PD020014	10X3/4 PH TR HD SMS	1	EA	
17	PE060064	WINDOW PACK, SELF CLEANING OVEN 30"	1	EA	
18	000268-000	HANDLE ENDCAP	1	EA	
18	PE030001PVD	END CAP DOOR HANDLE *BR	1	EA	
19	PE060030	OUTER DOOR GLASS	1	EA	
20	J1002799	OVEN DR HEAT SINK (VDSC36)	1	EA	Not available online / Call for pricing and availability
21	B2002798	O/S DOOR PANEL *SS* (VDSC36)	1	EA	
21	C9002798AL	O/S DOOR PANEL-*AL* (VDSC36)	1	EA	NO LONGER AVAILABLE, Not available online / Call for pricing and availability
21	C9002798BK	O/S DOOR PANEL-*BK* (VDSC36)	1	EA	NO LONGER AVAILABLE



Item	Part No.	Name	Qty	Uom	NOTES
21	C9002798BT	O/S DOOR PANEL-*BT* (VDSC36)	1	EA	NO LONGER AVAILABLE, Not available online / Call for pricing and availability
21	C9002798BU	O/S DOOR PANEL-*BU* (VDSC36)	1	EA	NO LONGER AVAILABLE
21	C9002798CB	O/S DOOR PANEL-*CB* (VDSC36)	1	EA	NO LONGER AVAILABLE
21	C9002798EP	O/S DOOR PANEL-*EP* (VDSC36)	1	EA	NO LONGER AVAILABLE
21	C9002798FG	O/S DOOR PANEL-*FG* (VDSC36)	1	EA	NO LONGER AVAILABLE, Not available online / Call for pricing and availability
21	C9002798GG	O/S DOOR PANEL-*GG* (VDSC36)	1	EA	
21	C9002798LE	O/S DOOR PANEL-*LE* (VDSC36)	1	EA	NO LONGER AVAILABLE, Not available online / Call for pricing and availability
21	C9002798MJ	O/S DOOR PANEL_*MJ* (VDSC36)	1	EA	Not available online / Call for pricing and availability
21	C9002798SG	O/S DOOR PANEL-*SG* (VDSC36)	1	EA	NO LONGER AVAILABLE, Not available online / Call for pricing and availability
21	C9002798VB	O/S DOOR PANEL-*VB* (VDSC36)	1	EA	NO LONGER AVAILABLE, Not available online / Call for pricing and availability
21	C9002798WH	O/S DOOR PANEL-*WH* (VDSC36)	1	EA	Not available online / Call for pricing and availability
22	PD030006	CAPPED WASHER PAL NUT	1	EA	
23	PE030006	DOOR HANDLE - 36" (VGRC)	1	EA	
23	PE030013PVD	DOOR HANDLE (36") PVD - NLA	1	EA	NO LONGER AVAILABLE
24	PE010030	LOGO	1	EA	
24	PE010068	LOGO 6" (VGRC) BK/BR	1	EA	
24	PE010031	LOGO 6" (VGRC) *BK/WH*	1	EA	NO LONGER AVAILABLE

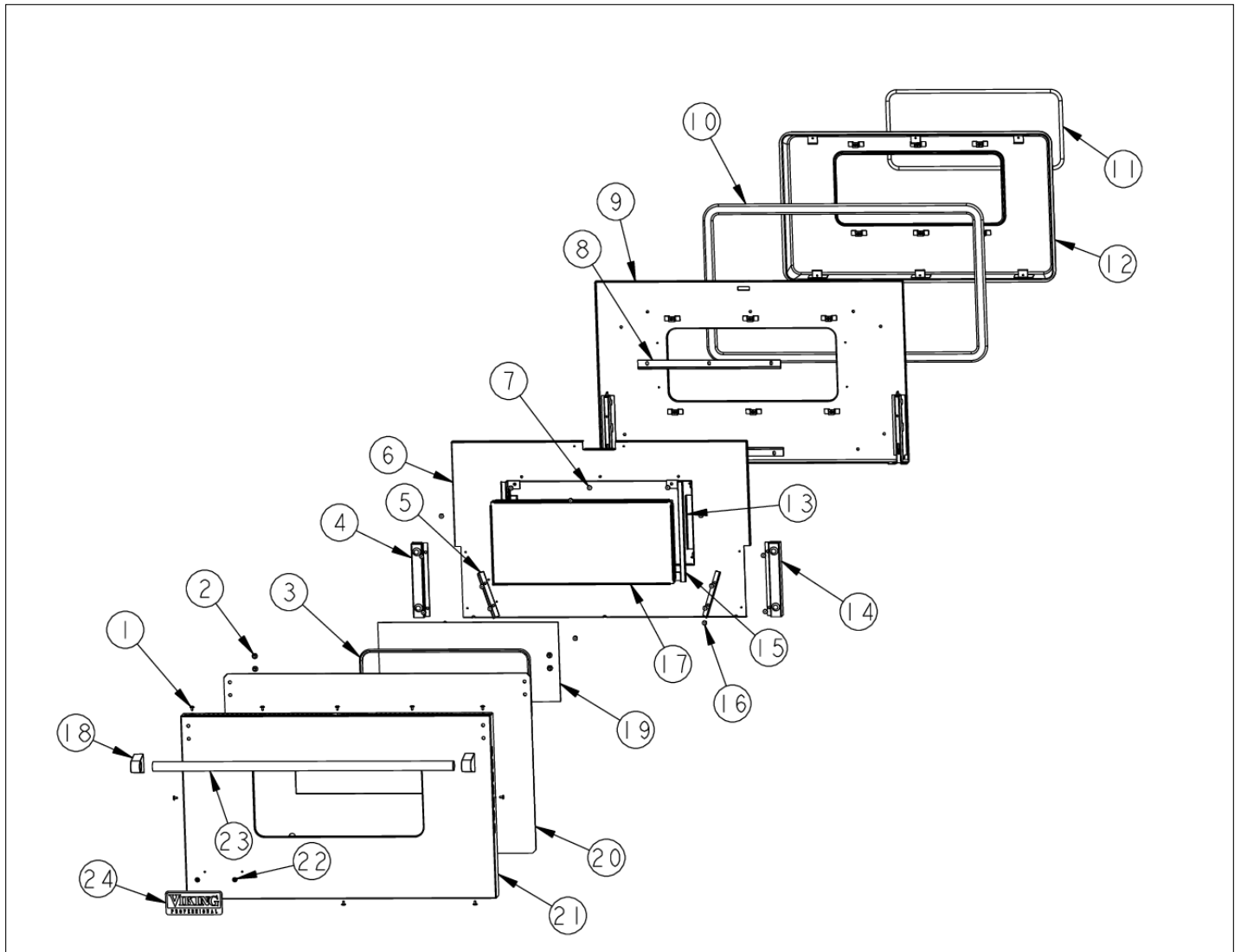


Item	Part No.	Name	Qty	Uom	NOTES
24	PE010076	LOGO 6" (VGRC) *BR/WH*	1	EA	NO LONGER AVAILABLE
NI	G3202805AL	DOOR SUB-ASSY-*AL* (VDSC36)	1	EA	NO LONGER AVAILABLE, Not available online / Call for pricing and availability
NI	G3202805ALBR	DOOR SUB-ASSY-*AL**BR* (VDSC36)	1	EA	NO LONGER AVAILABLE, Not available online / Call for pricing and availability
NI	G3202805BK	DOOR SUB-ASSY-*BK* (VDSC36)	1	EA	NO LONGER AVAILABLE, Not available online / Call for pricing and availability
NI	G3202805BKBR	COMPLETE DOOR ASSY. - BKBR	1	EA	Not available online / Call for pricing and availability
NI	G3202805BT	DOOR SUB-ASSY-*BT* (VDSC36)	1	EA	NO LONGER AVAILABLE, Not available online / Call for pricing and availability
NI	G3202805BTBR	COMPLETE DOOR ASSY. - BTBR	1	EA	Not available online / Call for pricing and availability
NI	G3202805BU	DOOR SUB-ASSY-*BU* (VDSC36)	1	EA	NO LONGER AVAILABLE, Not available online / Call for pricing and availability
NI	G3202805BUBR	DOOR SUB-ASSY-*BU**BR* (VDSC36)	1	EA	NO LONGER AVAILABLE, Not available online / Call for pricing and availability
NI	G3202805CB	DOOR SUB-ASSY-*CB* (VDSC36)	1	EA	NO LONGER AVAILABLE, Not available online / Call for pricing and availability
NI	G3202805CBBR	COMPLETE DOOR ASSY. - CBBR	1	EA	Not available online / Call for pricing and availability
NI	G3202805EP	DOOR SUB-ASSY-*EP* (VDSC36)	1	EA	NO LONGER AVAILABLE, Not available online / Call for pricing and availability





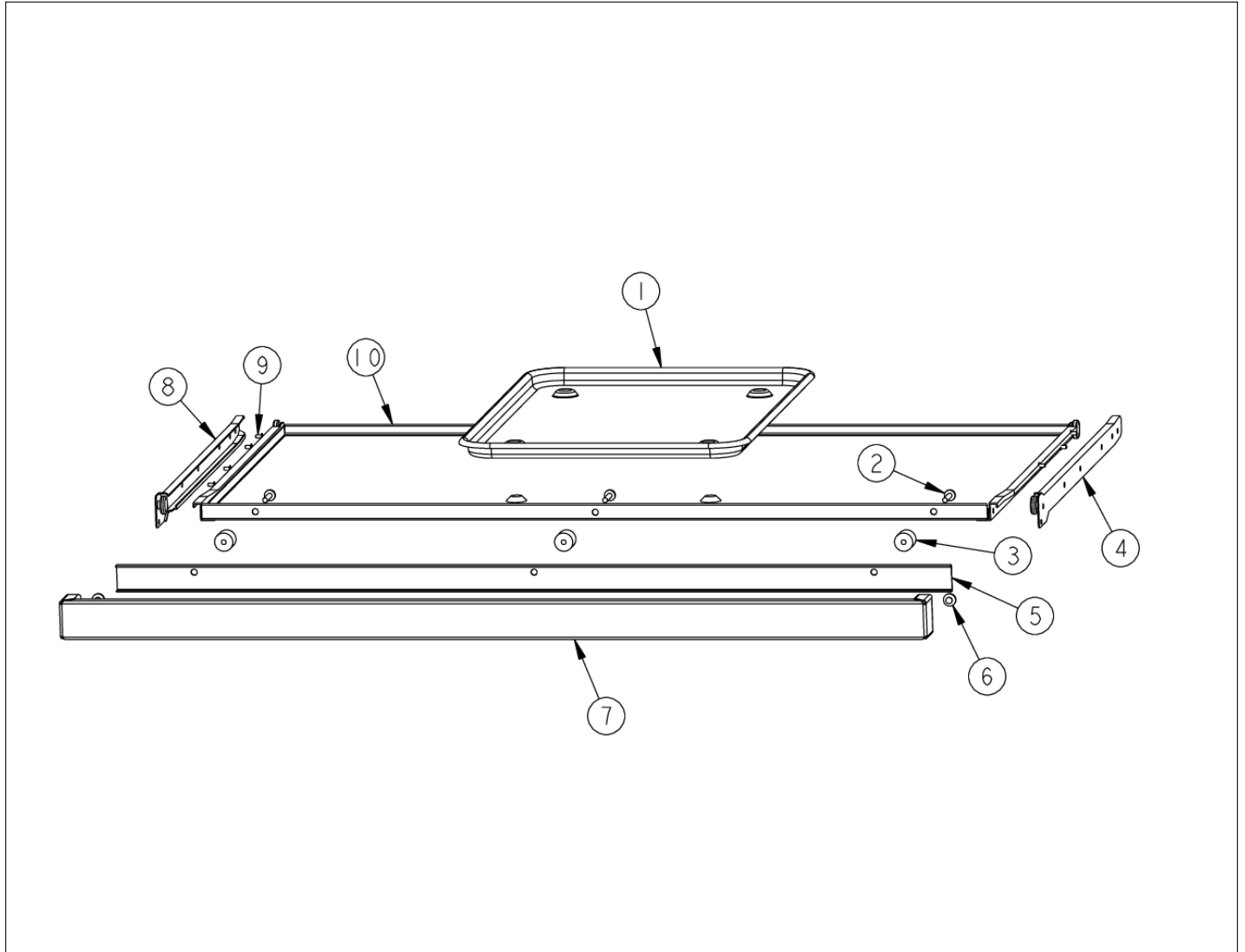
Item	Part No.	Name	Qty	Uom	NOTES
NI	G3202805EPBR	COMPLETE DOOR ASSY. - EPBR	1	EA	Not available online / Call for pricing and availability
NI	G3202805FG	DOOR SUB-ASSY- *FG* (VDSC36)	1	EA	NO LONGER AVAILABLE, Not available online / Call for pricing and availability
NI	G3202805FGBR	DOOR SUB-ASSY- *FG**BR* (VDSC36)	1	EA	NO LONGER AVAILABLE, Not available online / Call for pricing and availability
NI	G3202805GG	DOOR SUB-ASSY-*GG* (VDSC36)	1	EA	NO LONGER AVAILABLE, Not available online / Call for pricing and availability
NI	G3202805GGBR	DOOR SUB-ASSY-*GG*BR* (VDSC36)	1	EA	NO LONGER AVAILABLE, Not available online / Call for pricing and availability
NI	G3202805LE	DOOR SUB-ASSY- *LE* (VDSC36)	1	EA	NO LONGER AVAILABLE, Not available online / Call for pricing and availability
NI	G3202805LEBR	COMPLETE DOOR ASSY. - LEBR	1	EA	
NI	G3202805MJ	DOOR SUB-ASSY- *MJ* (VDSC36)	1	EA	
NI	G3202805MJBR	COMPLETE DOOR ASSY. - MJBR	1	EA	Not available online / Call for pricing and availability
NI	G3202805SG	DOOR SUB-ASSY- *SG* (VDSC36)	1	EA	NO LONGER AVAILABLE, Not available online / Call for pricing and availability
NI	G3202805SGBR	COMPLETE DOOR ASSY. - SGBR	1	EA	Not available online / Call for pricing and availability
NI	G3209181SS	DOOR ASSY 30" *SS*	1	EA	
NI	G3209181SSBR	COMPLETE DOOR ASSY. - SSBR	1	EA	Not available online / Call for pricing and availability





Item	Part No.	Name	Qty	Uom	NOTES
NI	G3202805VB	DOOR SUB-ASSY-*VB* (VDSC36)	1	EA	NO LONGER AVAILABLE, Not available online / Call for pricing and availability
NI	G3202805VBBR	DOOR SUB-ASSY- *VB**BR* (VDSC36)	1	EA	NO LONGER AVAILABLE, Not available online / Call for pricing and availability
NI	G3202805WH	DOOR SUB-ASSY-*WH* (VDSC36)	1	EA	NO LONGER AVAILABLE, Not available online / Call for pricing and availability

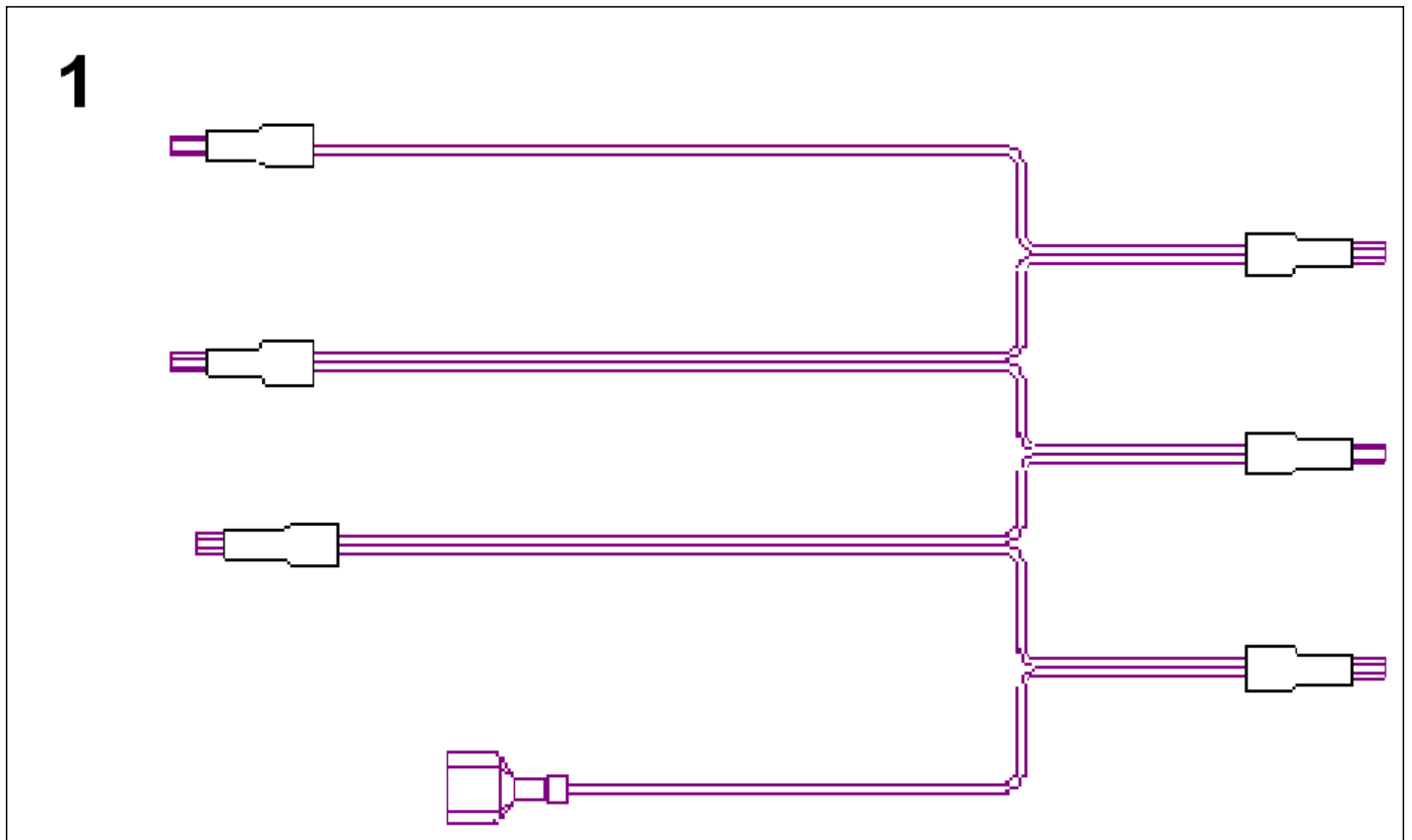
DRIP TRAY





Item	Part No.	Name	Qty	Uom	NOTES
1	J2101749	GREASE PAN	1	EA	
2	PD020049	#10 X 1 1/4 PH. PAN HD. T(A)	1	EA	
3	PD040028	BUSHING(.194ID/.750OD/.750LONG)	1	EA	
4	PK000008	Drip Tray Guide - RH	1	EA	NO LONGER AVAILABLE
5	A20010692	DRIP TRAY HANDLE BACK 36"	1	EA	
6	PD040004	GROMMET BUMPER	1	EA	
7	G30010696	DRIP TRAY HANDLE ASSY 36"	1	EA	
7	G93011459PVD	False Tray Handle - 6B (BR) - NLA	1	EA	
8	PK000007	DRIP TRAY GUIDE - LH (VGRT)	1	EA	NO LONGER AVAILABLE
9	PC040010	POP RIVET (.063/GR -.125) GAMD42-A	1	EA	
10	G30010455	36" DRIP TAY ASSY, NLA	1	EA	

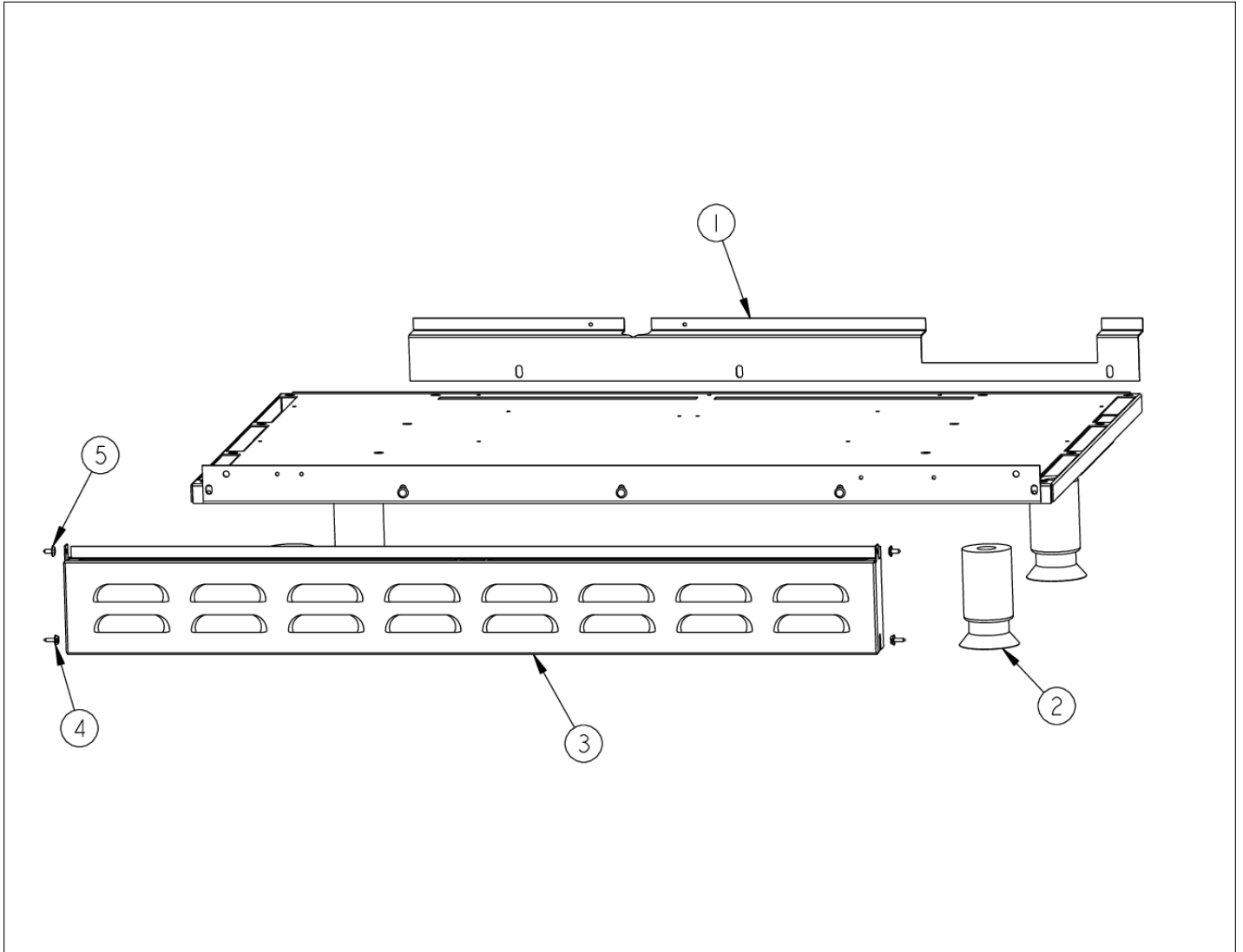
G4002815 WIRING HARNESS - LINE





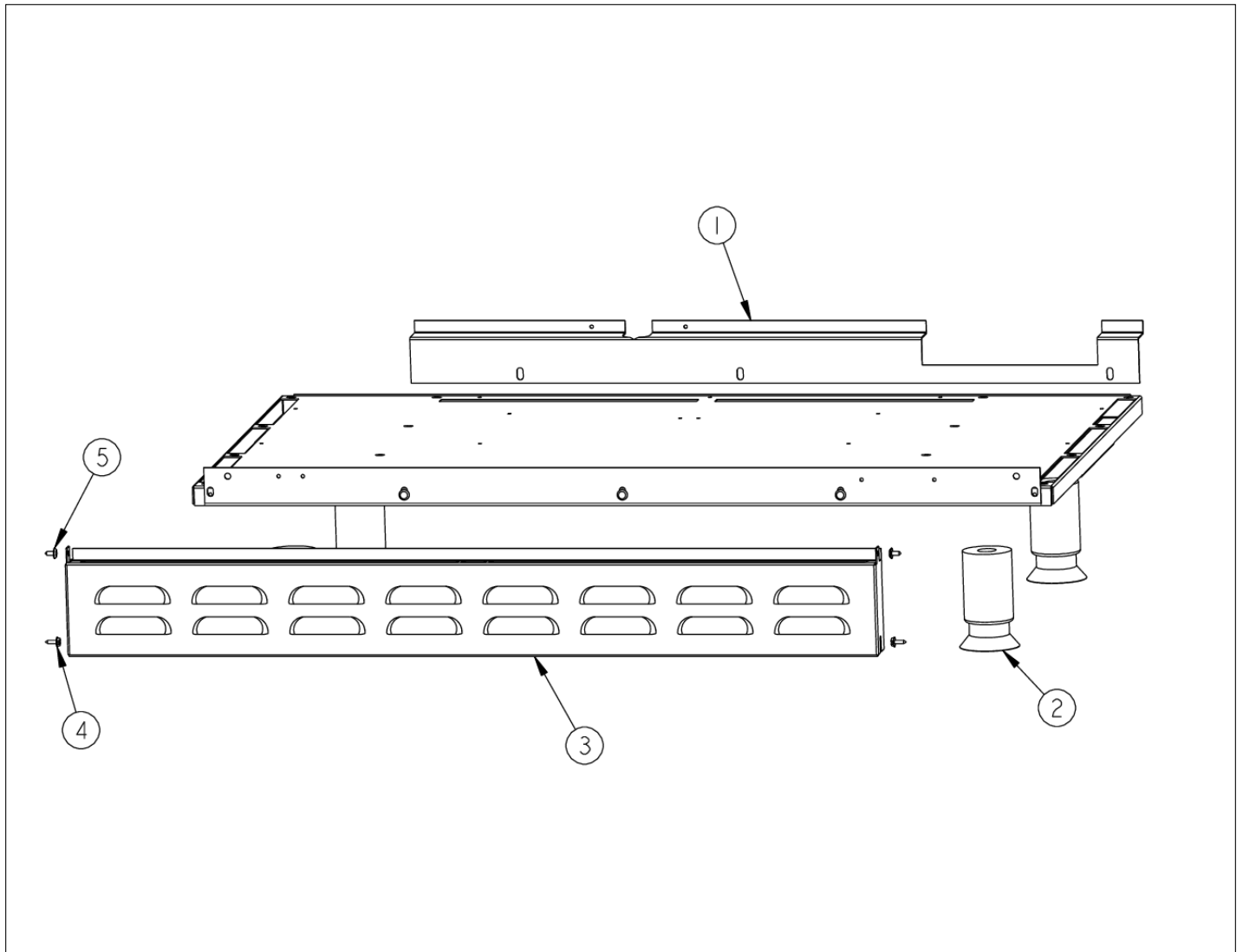
Item	Part No.	Name	Qty	Uom	NOTES
1	G4002815	WIRING HARNESS (LINE) (VDSC36)	1	EA	

LOWER UNIT AREA





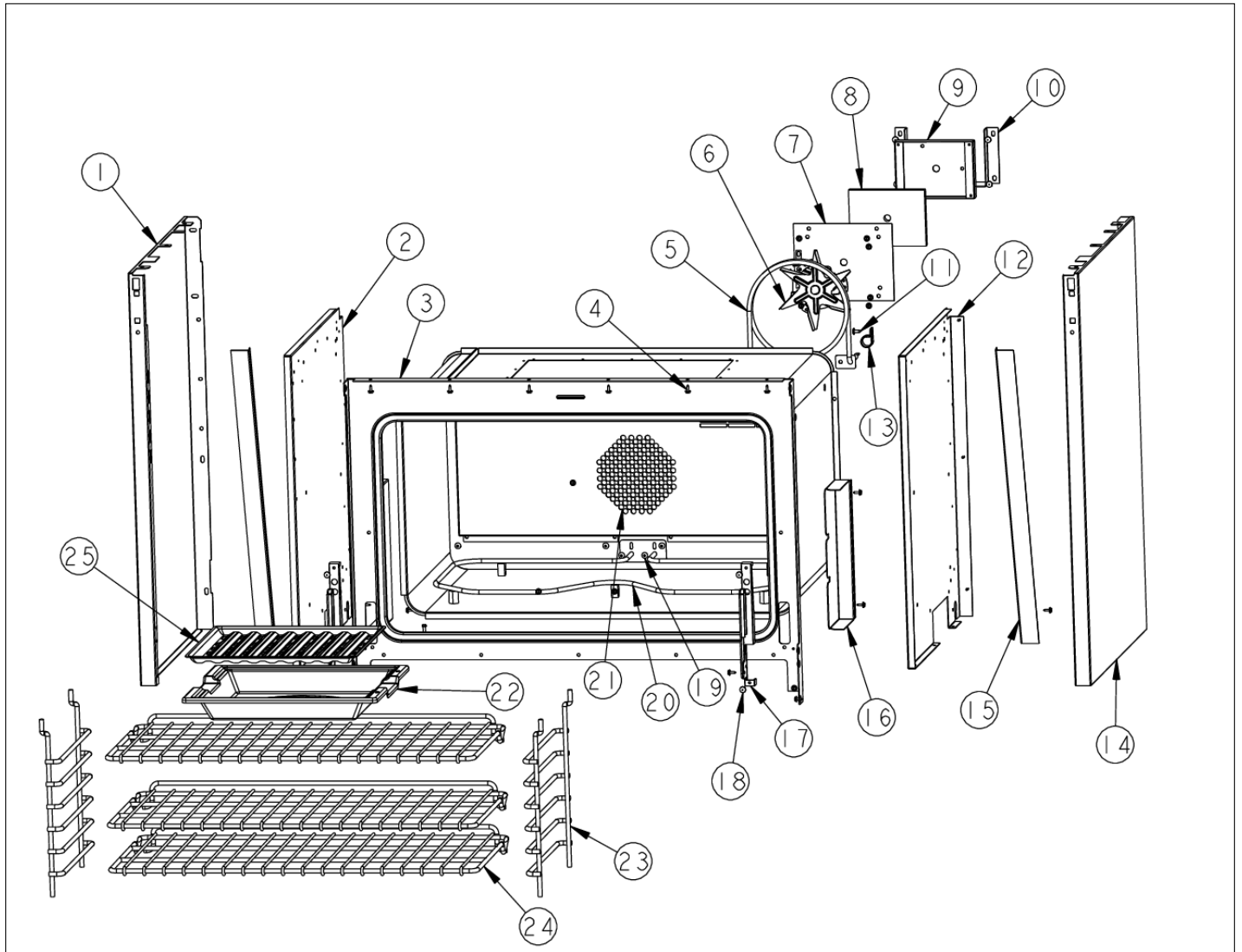
Item	Part No.	Name	Qty	Uom	NOTES
1	A2004295	LOWER BACK COVER (VDSC365)	1	EA	NO LONGER AVAILABLE, Not available online / Call for pricing and availability
2	PC030017	4" LEG ASSY	1	EA	
3	B2001504	LWR ACC PNL - RPLCS B2001977	1	EA	
3	C9001504AL	LWR ACC PNL - RPLCS C9001977AL	1	EA	NO LONGER AVAILABLE
3	C9001504BK	LWR ACC PNL - RPLCS C9001977BK	1	EA	
3	C9001504BT	LWR ACC PNL - RPLCS C9001977BT	1	EA	NO LONGER AVAILABLE, Not available online / Call for pricing and availability
3	C9001504BU	LWR ACC PNL - RPLCS C9001977BU	1	EA	Not available online / Call for pricing and availability
3	C9001504CB	LWR ACC PNL - RPCLS C9001977CB	1	EA	NO LONGER AVAILABLE, Not available online / Call for pricing and availability
3	C9001504EP	LWR ACC PNL - RPLCS C9001977EP	1	EA	NO LONGER AVAILABLE
3	C9001504FG	LWR ACC PNL - RPLCS C9001977FG	1	EA	NO LONGER AVAILABLE
3	C9001504GG	LWR ACC PNL - RPLCS C9001977GG	1	EA	NO LONGER AVAILABLE, Not available online / Call for pricing and availability
3	C9001504LE	LWR ACC PNL - RPLCS C9001977LE	1	EA	NO LONGER AVAILABLE, Not available online / Call for pricing and availability
3	C9001504MJ	LWR ACC PNL - RPLCS C9001977MJ	1	EA	Not available online / Call for pricing and availability
3	C9001504SG	LWR ACC PNL - RPCLS C9001977SG	1	EA	NO LONGER AVAILABLE, Not available online / Call for pricing and availability
3	C9001504VB	LWR ACC PNL - RPLCS C9001977VB	1	EA	NO LONGER AVAILABLE





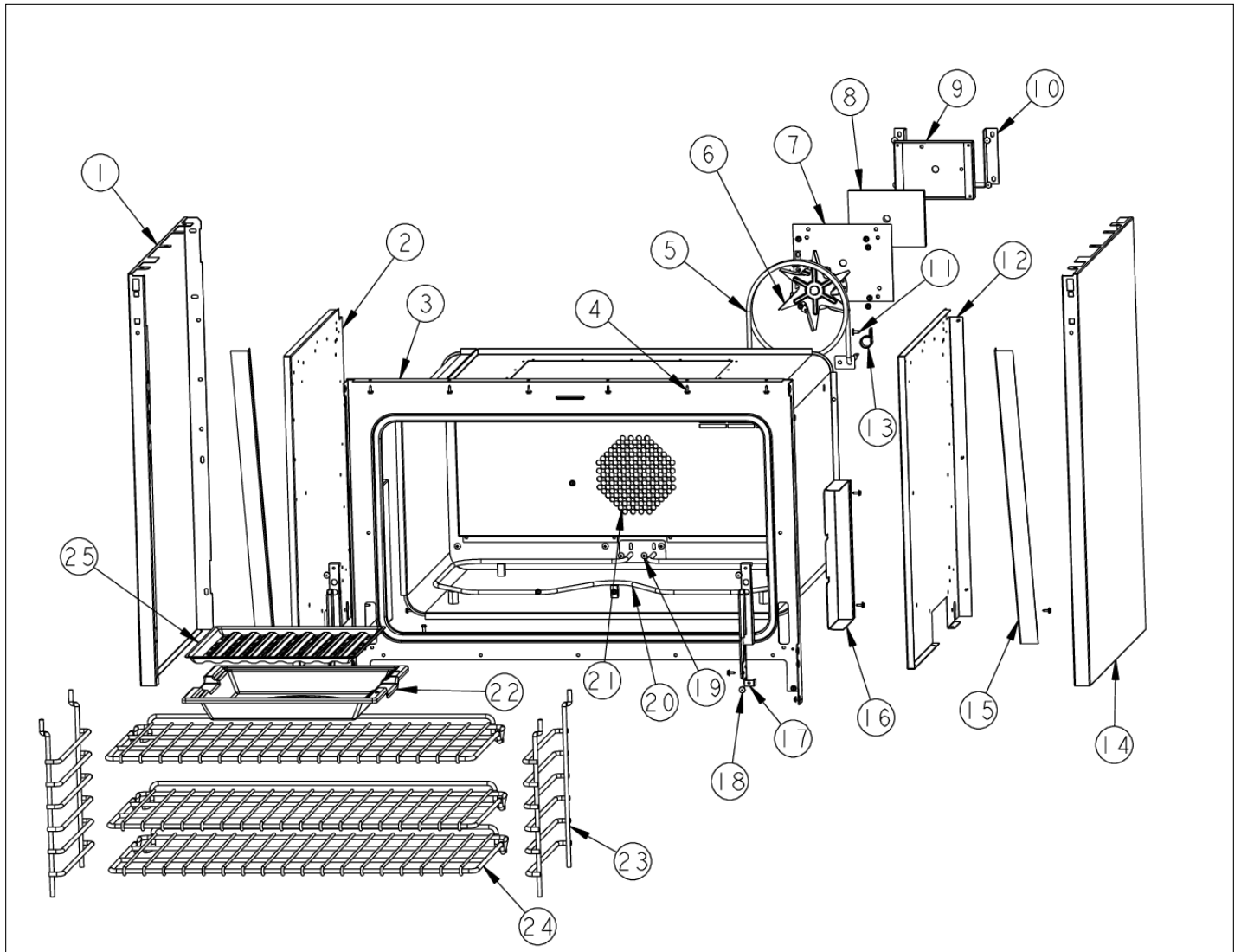
Item	Part No.	Name	Qty	Uom	NOTES
3	C9001504WH	LWR ACC PNL - RPLCS C9001977WH	1	EA	
4	PD020003	#10 X 1/2 T(A) HEX WASHER HEAD	1	EA	
5	PD020032	SRW-8(A)X3/8"PH.WFR HD 7/16DIA*NICL	1	EA	

MAIN OVEN CAVITY



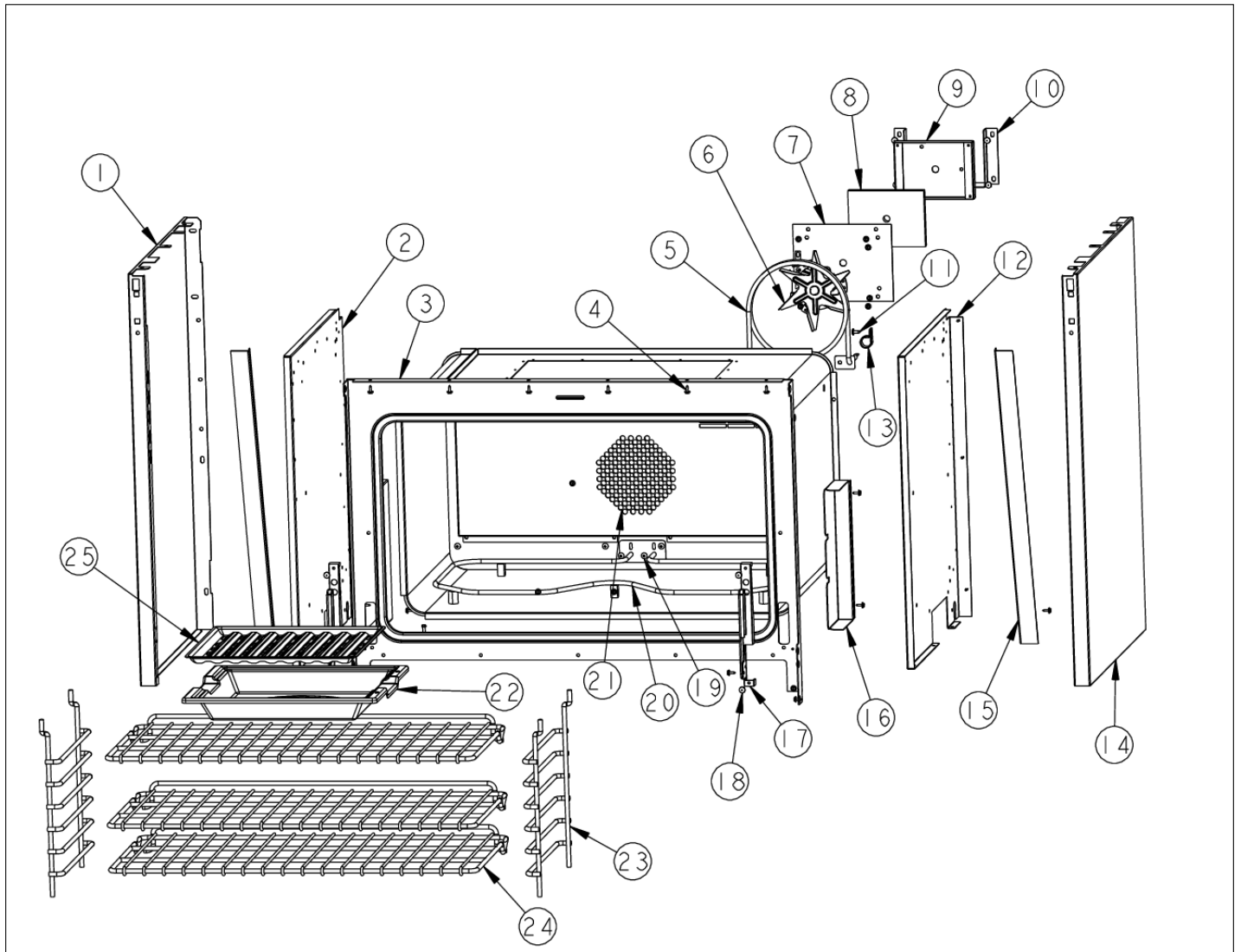


Item	Part No.	Name	Qty	Uom	NOTES
1	B2002598	O/S BODY PANEL LH (SS)	1	EA	
1	C9002598AL	BODY PNL LH 30'REPL C9001922AL	1	EA	NO LONGER AVAILABLE, Not available online / Call for pricing and availability
1	C9002598BK	BODY PNL LH 30'REPL C9001922BK	1	EA	
1	C9002598BT	O/S BODY PANEL-LH *BT* (VDSC)	1	EA	NO LONGER AVAILABLE
1	C9002598BU	BODY PNL LH 30'REPL C9001922BU	1	EA	
1	C9002598CB	O/S BODY PANEL-LH *CB* (VDSC)	1	EA	Not available online / Call for pricing and availability
1	C9002598EP	O/S BODY PANEL-LH *EP* (VDSC)	1	EA	NO LONGER AVAILABLE, Not available online / Call for pricing and availability
1	C9002598FG	BODY PNL LH 30'REPL C9001922FG	1	EA	NO LONGER AVAILABLE, Not available online / Call for pricing and availability
1	C9002598GG	BODY PNL LH 30'REPL C9001922GG	1	EA	Not available online / Call for pricing and availability
1	C9002598LE	O/S BODY PANEL-LH *LE* (VDSC)	1	EA	NO LONGER AVAILABLE, Not available online / Call for pricing and availability
1	C9002598MJ	O/S BODY PANEL-LH *MJ* (VDSC)	1	EA	NO LONGER AVAILABLE
1	C9002598SG	O/S BODY PANEL-LH *SG* (VDSC)	1	EA	NO LONGER AVAILABLE, Not available online / Call for pricing and availability
1	C9002598VB	BODY PNL LH 30'REPL C9001922VB	1	EA	NO LONGER AVAILABLE, Not available online / Call for pricing and availability
1	C9002598WH	BODY PNL LH 30'REPL C9001922WH	1	EA	





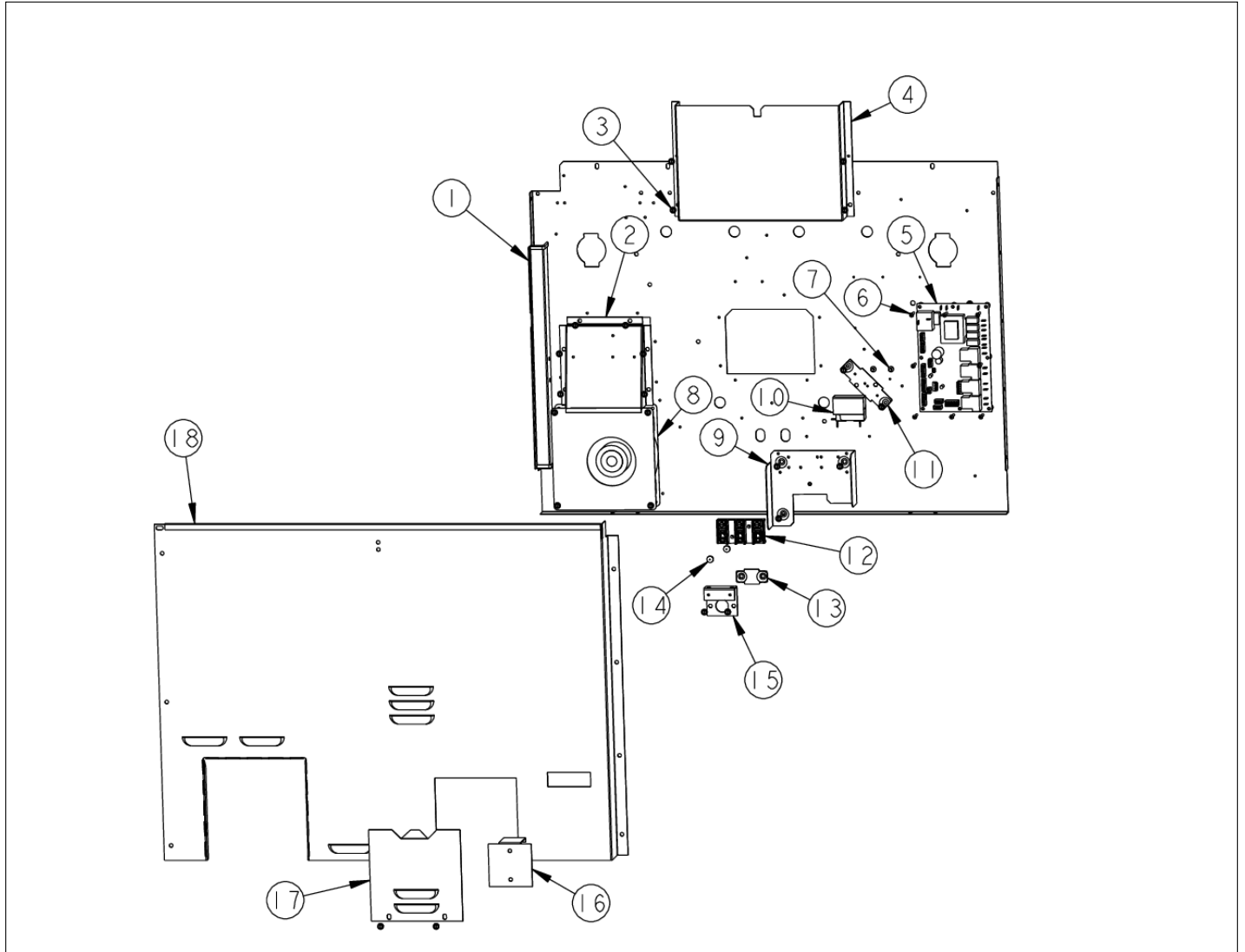
Item	Part No.	Name	Qty	Uom	NOTES
2	A2002156	OVEN SIDE INSUL.RETAINER-LH(VDSC)	1	EA	NO LONGER AVAILABLE, Not available online / Call for pricing and availability
3	G9102744	OVEN FRONT FRAME ASSY (VDSC36)	1	EA	Not available online / Call for pricing and availability
4	PD020003	#10 X 1/2 T(A) HEX WASHER HEAD	1	EA	
5	PJ010003	CONVECTION ELEMENT (VDSC) 240V	1	EA	
6	PE050005	CONVECTION FAN ASSY	1	EA	
7	A1002596	CONVECTION FAN COVER (VDSC)	1	EA	
8	PB070208	CONVECTION FAN INSULATION	1	EA	
9	A2002595	CONVECTION FAN BOX (VDSC)	1	EA	
10	A2008440	ALL SIDE FAN INSULATION SHIELD	1	EA	NO LONGER AVAILABLE, Not available online / Call for pricing and availability
11	PD020002	10 X 1/2 PH.TR.HD.SMS.	1	EA	
12	A2002155	OVEN SIDE INSUL.RETAINER-RH(VDSC)	1	EA	NO LONGER AVAILABLE, Not available online / Call for pricing and availability
13	PD030109	INSULATED CLAMP	1	EA	
14	B2002597	O/S BODY PANEL - RH (SS)	1	EA	
14	C9002597AL	O/S BODY PANEL-RH *AL* (VDSC)	1	EA	NO LONGER AVAILABLE, Not available online / Call for pricing and availability
14	C9002597BK	BODY PNL RH BK REPL C9001921BK	1	EA	
14	C9002597BT	O/S BODY PANEL-RH *BT* (VDSC)	1	EA	NO LONGER AVAILABLE
14	C9002597BU	BODY PNL RH BU REPL C9001921BU	1	EA	Not available online / Call for pricing and availability
14	C9002597CB	O/S BODY PANEL-RH *CB* (VDSC)	1	EA	NO LONGER AVAILABLE





Item	Part No.	Name	Qty	Uom	NOTES
14	C9002597EP	O/S BODY PANEL-RH *EP* (VDSC)	1	EA	NO LONGER AVAILABLE
14	C9002597FG	BODY PNL RH FG REPL C9001921FG	1	EA	NO LONGER AVAILABLE, Not available online / Call for pricing and availability
14	C9002597GG	BODY PNL RH GG REPL C9001921GG	1	EA	Not available online / Call for pricing and availability
14	C9002597LE	O/S BODY PANEL-RH *LE* (VDSC)	1	EA	
14	C9002597MJ	O/S BODY PANEL-RH *MJ* (VDSC)	1	EA	NO LONGER AVAILABLE
14	C9002597SG	O/S BODY PANEL-RH *SG* (VDSC)	1	EA	NO LONGER AVAILABLE, Not available online / Call for pricing and availability
14	C9002597VB	BODY PNL RH VB REPL C9001921VB	1	EA	
14	C9002597WH	BODY PNL RH WH REPL C9001921WH	1	EA	
15	A2002475	SIDE PANEL DIVERTER (VDSC)	1	EA	NO LONGER AVAILABLE
16	A2002183	HINGE INSULATION COVER (VDSC)	1	EA	
17	PC020126	HINGE ASSEMBLY	1	EA	
18	PD020014	10X3/4 PH TR HD SMS	1	EA	
19	PD010003	10-24 X 1/2 PH.TR.HD.SERD.M.S.	1	EA	
20	PJ010006	BAKE ELEMENT (VDSC-36) 240V	1	EA	
21	G9102750	CONVECTION FAN COVER ASSY (VDSC36)	1	EA	NO LONGER AVAILABLE
22	E9107933	BROILER PAN	1	EA	
23	PB060030	RACK SUPT REPL PB060010	1	EA	
24	PB060045	OVEN RK VDSC36 REPL PB060020	1	EA	
25	E9107934	BROILER PAN INSERT - NLA	1	EA	

REAR UNIT AREA

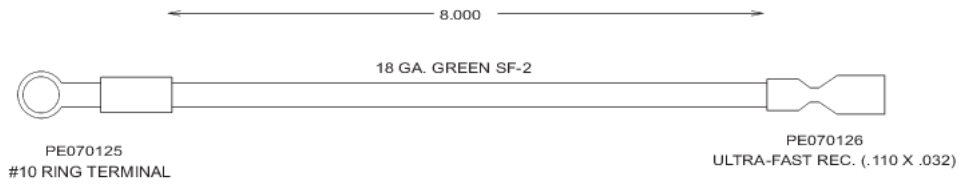




Item	Part No.	Name	Qty	Uom	NOTES
1	A2000210	WIRE CHANNEL	1	EA	NO LONGER AVAILABLE, Not available online / Call for pricing and availability
2	A2002180	COOLING FAN HOUSING (VDSC)	1	EA	NO LONGER AVAILABLE
3	PD020003	#10 X 1/2 T(A) HEX WASHER HEAD	1	EA	
4	A2002790	AIR FLUE (LARGE-BACK) VDSC365)	1	EA	NO LONGER AVAILABLE
5	PE070786	ELECTRONIC CONTROL BOARD	1	EA	
6	PD020185	Screw, 6 X 1" Pan Head	1	EA	
7	PD020044	#8-32 X 1/4" PH. TR. HD. M.S.	1	EA	
8	PE050026	COOLING FAN (VDSC)	1	EA	
9	A2002193	ELECTRICAL MOUNTING BRKT (VDSC)	1	EA	NO LONGER AVAILABLE
10	PJ030002	AUTO RESET (SELF-CLEAN) VDSC	1	EA	
11	A1002456	THERMO-DISC BRKT (VDSC)	1	EA	
12	PE070147	TERMINAL BLOCK (VDSC)	1	EA	
13	A1002457	POWER CORD MOUNTING STRAP (VDSC)	1	EA	
14	PD020014	10X3/4 PH TR HD SMS	1	EA	
15	A2002195	POWER CORD MOUNTING BRKT (VDSC)	1	EA	
16	A2002654	ANTI-TIP DEVICE (VDSC)	1	EA	
17	A2002454	BACK, COVER ACCESS DOOR	1	EA	
18	A20015483	VDSC36 OVEN BACK	1	EA	NO LONGER AVAILABLE, Not available online / Call for pricing and availability

SINGLE WIRING 1

1



2



3

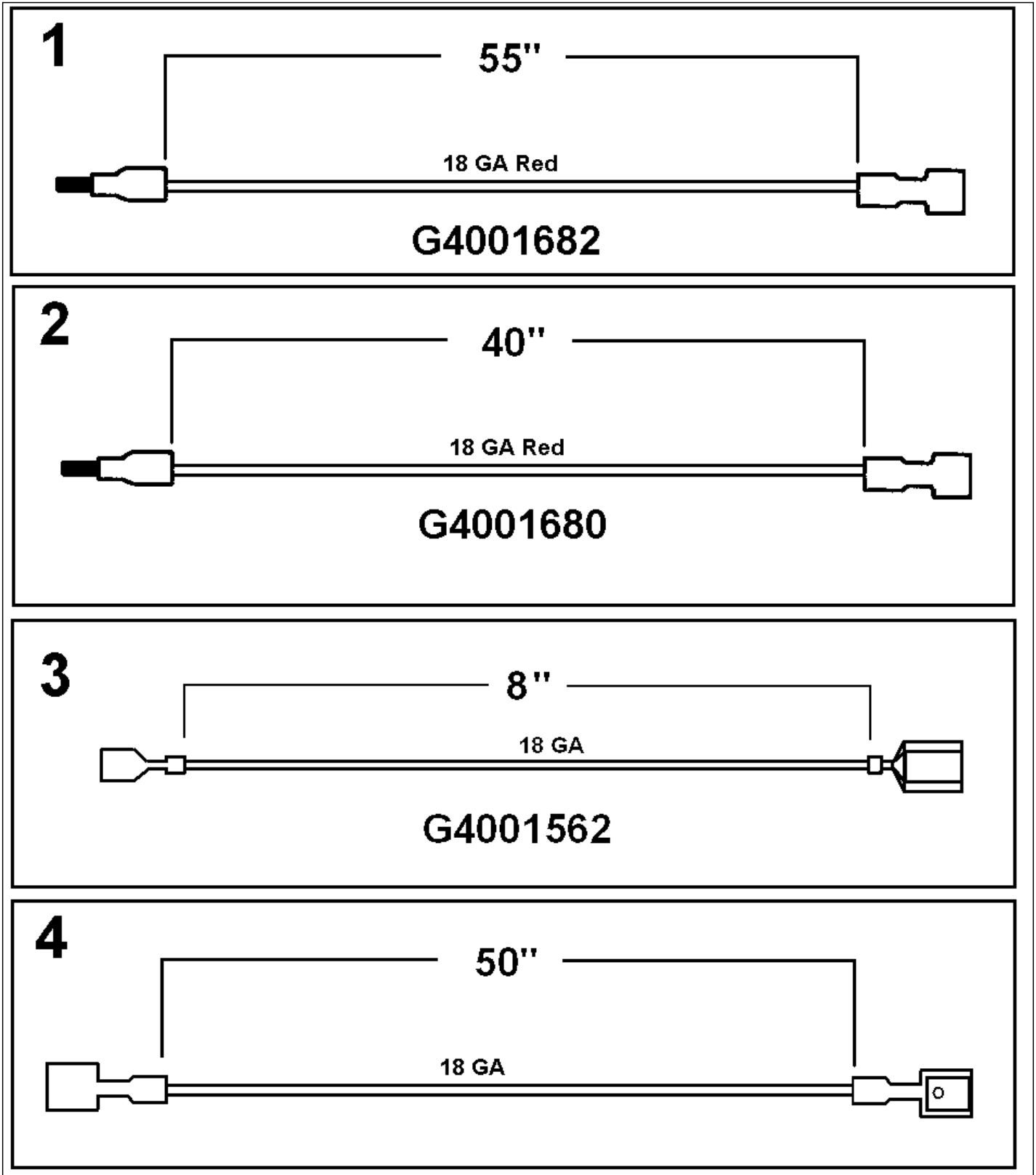
- 1 -
- 2 -
- 3 - BLACK
- 4 - BLACK





Item	Part No.	Name	Qty	Uom	NOTES
1	G4001656	SPARK MODULE GROUND WIRE	1	EA	
2	G4001572	GROUND WIRE (SPARK MODULE)	1	EA	NO LONGER AVAILABLE
3	PE070624	SINGLE PREHEAT JUMPER	1	EA	NO LONGER AVAILABLE

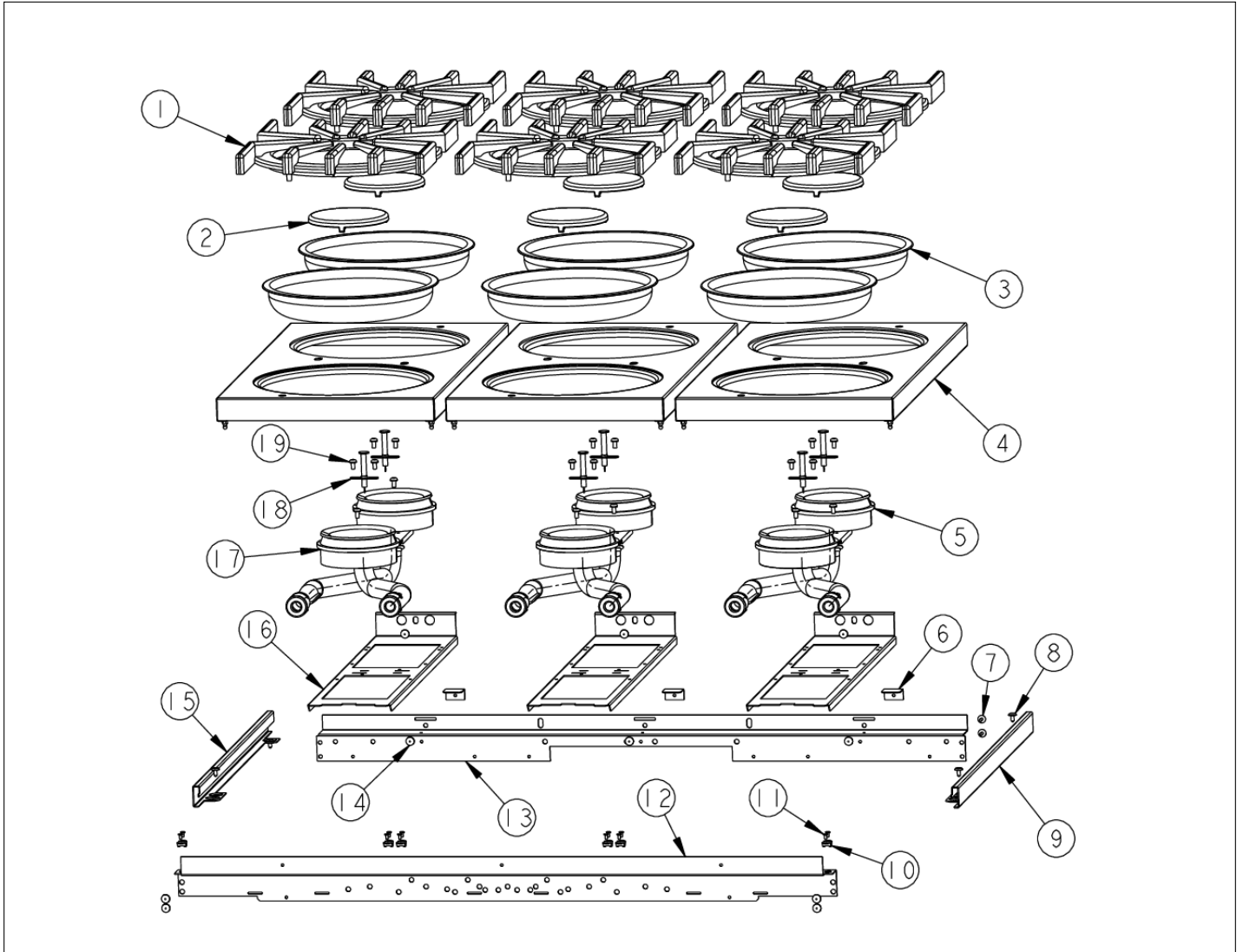
SINGLE WIRING 2





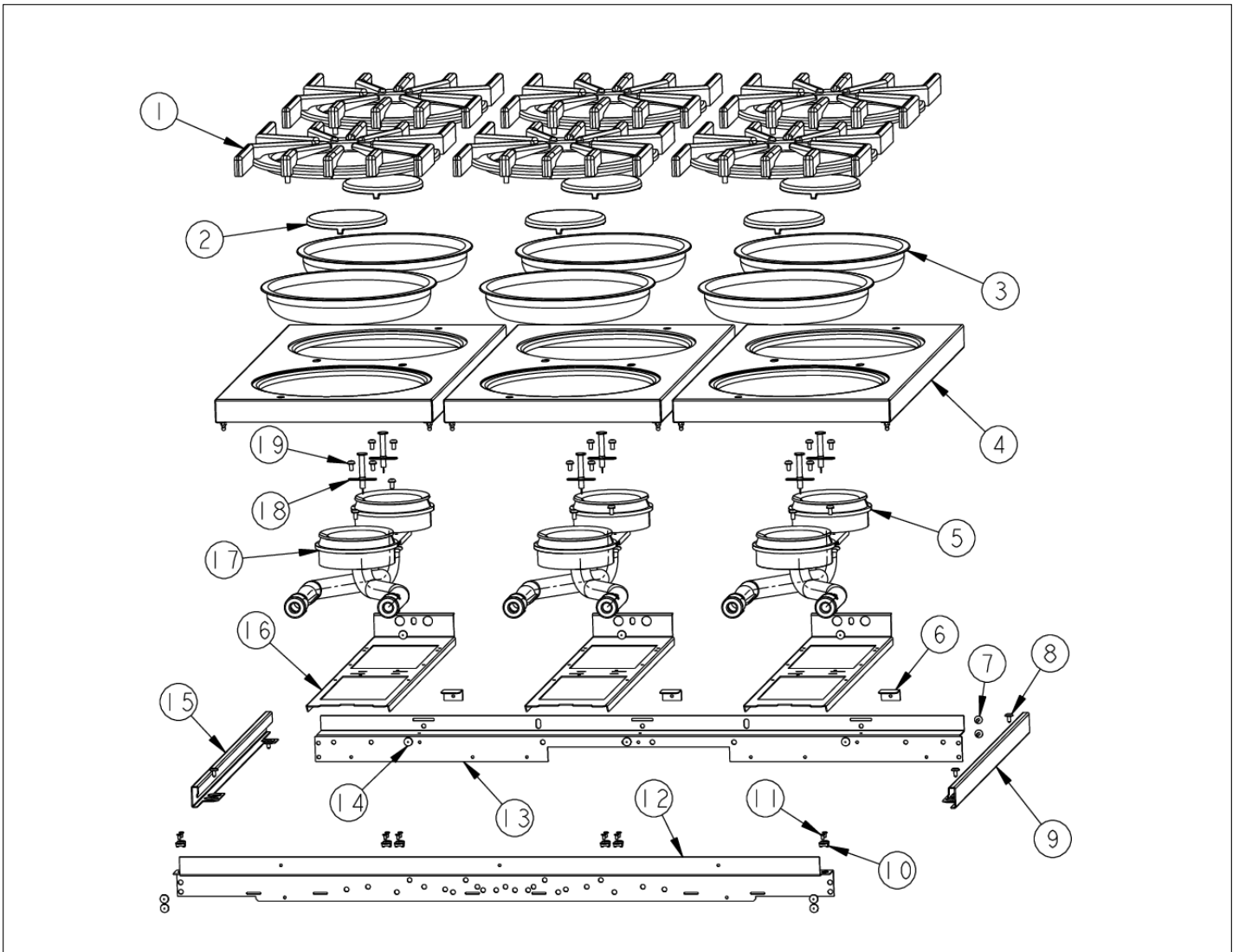
Item	Part No.	Name	Qty	Uom	NOTES
1	G4001682	WIRE ASSY *AL* 55"	1	EA	
2	G4001680	WIRE, SPRK MDLE-TOP BRNR VLVE SWITCH (40)	1	EA	
3	G4001562	DUAL SAFETY VALVE - JUMPER (10")	1	EA	
4	G4002817	SPARK MOD WIRE-NEUTRAL (DF4Q/6B)	1	EA	NO LONGER AVAILABLE

SURFACE COOKING AREA



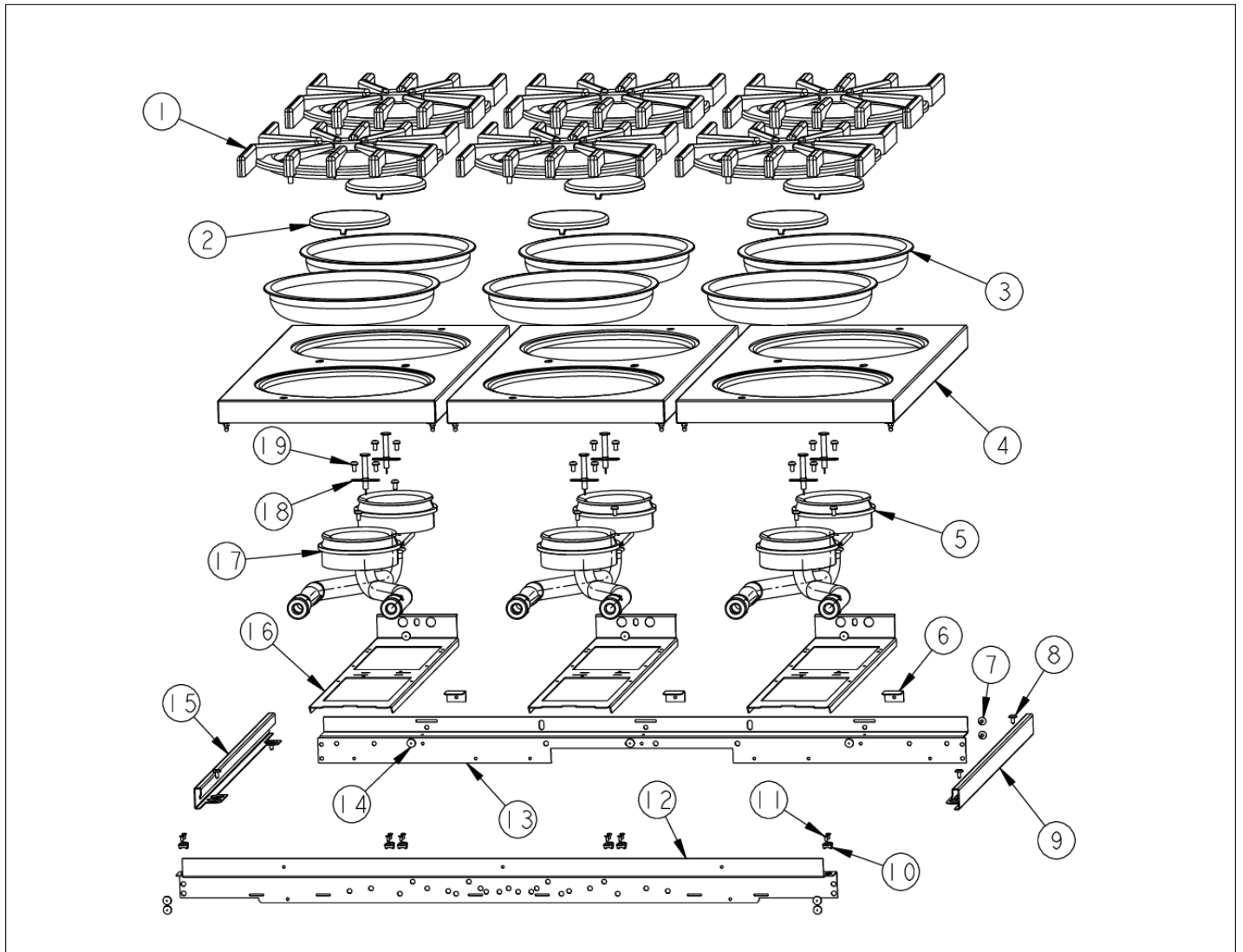


Item	Part No.	Name	Qty	Uom	NOTES
1	PA060038	GRAY GRATES	1	EA	
1	PA060037	GRATE BK REPL PA060024 (GEN.#2)	1	EA	
2	PA080015	BURNER CAP-VGRT *BK*	1	EA	
2	PA080016	BURNER CAP-VGRT (GRAY-MATT)	1	EA	
3	PA030002AL	BURNER BOWL - AL (FOR USE WITH UPGRADE KIT) NLA	1	EA	
3	PA030002BK	BURNER BOWL (VGRT) **BK**	1	EA	
3	PA030002BT	BURNER BOWL - BT NLA	1	EA	
3	PA030002CB	BURNER BOWL - CB NLA	1	EA	
3	PA030002EP	BURNER BOWL - EP NLA	1	EA	
3	PA030002FG	BURNER BOWL - FG (FOR USE WITH UPGRADE KIT) NLA	1	EA	
3	PA030002GG	BURNER BOWL - GG NLA	1	EA	
3	PA030002LE	BURNER BOWL - LE NLA	1	EA	
3	PA030002MJ	BURNER BOWL (VGRT) **MJ** NLA	1	EA	
3	PA030002SG	BURNER BOWL - SG NLA	1	EA	
3	PA030002VB	BURNER BOWL (VGRT) **VB** NLA	1	EA	
3	PA030002WH	BURNER BOWL (VGRT) **WH**	1	EA	
4	G50013584AL	GRATE SUPPORT - AL	1	EA	
4	G50013584BK	GRATE SUPPORT SERVICE KIT (BK)	1	EA	
4	G50013584BT	GRATE SUPPORT SERVICE KIT (BT) - NLA	1	EA	NO LONGER AVAILABLE
4	G50013584CB	GRATE SUPPORT ASSEMBLY - CB	1	EA	Not available online / Call for pricing and availability
4	G50013584EP	GRATE SUPPORT ASSEMBLY - EP	1	EA	Not available online / Call for pricing and availability
4	G50013584FG	GRATE SUPPORT - FG	1	EA	Not available online / Call for pricing and availability
4	G50013584GG	GRATE SUPPORT ASSEMBLY - GG	1	EA	





Item	Part No.	Name	Qty	Uom	NOTES
4	G50013584LE	GRATE SUPPORT ASSEMBLY - LE	1	EA	Not available online / Call for pricing and availability
4	G50013584MJ	GRATE SUPPORT ASSEMBLY - MJ	1	EA	Not available online / Call for pricing and availability
4	G50013584SG	GRATE SUPPORT ASSEMBLY - SG	1	EA	Not available online / Call for pricing and availability
4	G50013584VB	GRATE SUPPORT - VB	1	EA	
4	G50013584WH	GRATE SUPPORT SERVICE KIT (WH)	1	EA	
5	PA080036	TOP BURNER REAR REPL PA080008	1	EA	
6	A2001147	GRATE SUPT ANGLE (VGRT)	1	EA	
7	PD020003	#10 X 1/2 T(A) HEX WASHER HEAD	1	EA	
8	PD020032	SRW-8(A)X3/8"PH.WFR HD 7/16DIA*NICL	1	EA	
9	B2002345	SIDE TRIM - RH (VGSS)	1	EA	
9	C9302345BR	SIDE TRIM - RH (VGSS) *BR*	1	EA	
10	PD010016	BALL STUD FASTEN	1	EA	
11	PC040010	POP RIVET (.063/GR -.125) GAMD42-A	1	EA	
12	A2001105	FRONT SUPT (36")	1	EA	Not available online / Call for pricing and availability
13	A2002382	REAR BURNER SUPT (VGSS36)	1	EA	
14	PD020002	10 X 1/2 PH.TR.HD.SMS.	1	EA	
15	B2002346	SIDE TRIM - LH (VGSS)	1	EA	
15	C9302346BR	SIDE TRIM - LH (VGSS) *BR*	1	EA	Not available online / Call for pricing and availability
16	A2001112	BURNER SUPT (VGRT)	1	EA	
17	PA080037	TOP BURNER FRONT REPL PA080007	1	EA	
18	PA020028	SPARK IGNITER	1	EA	



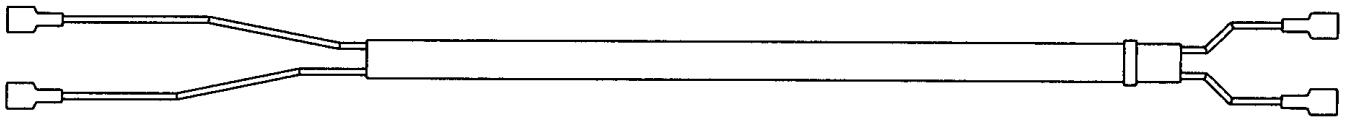


Item	Part No.	Name	Qty	Uom	NOTES
19	PD020004	10X3/8PH.HD.TYPE 25 REPL PD040125	1	EA	

TOP BURNER IGNITER WIRE KIT

1

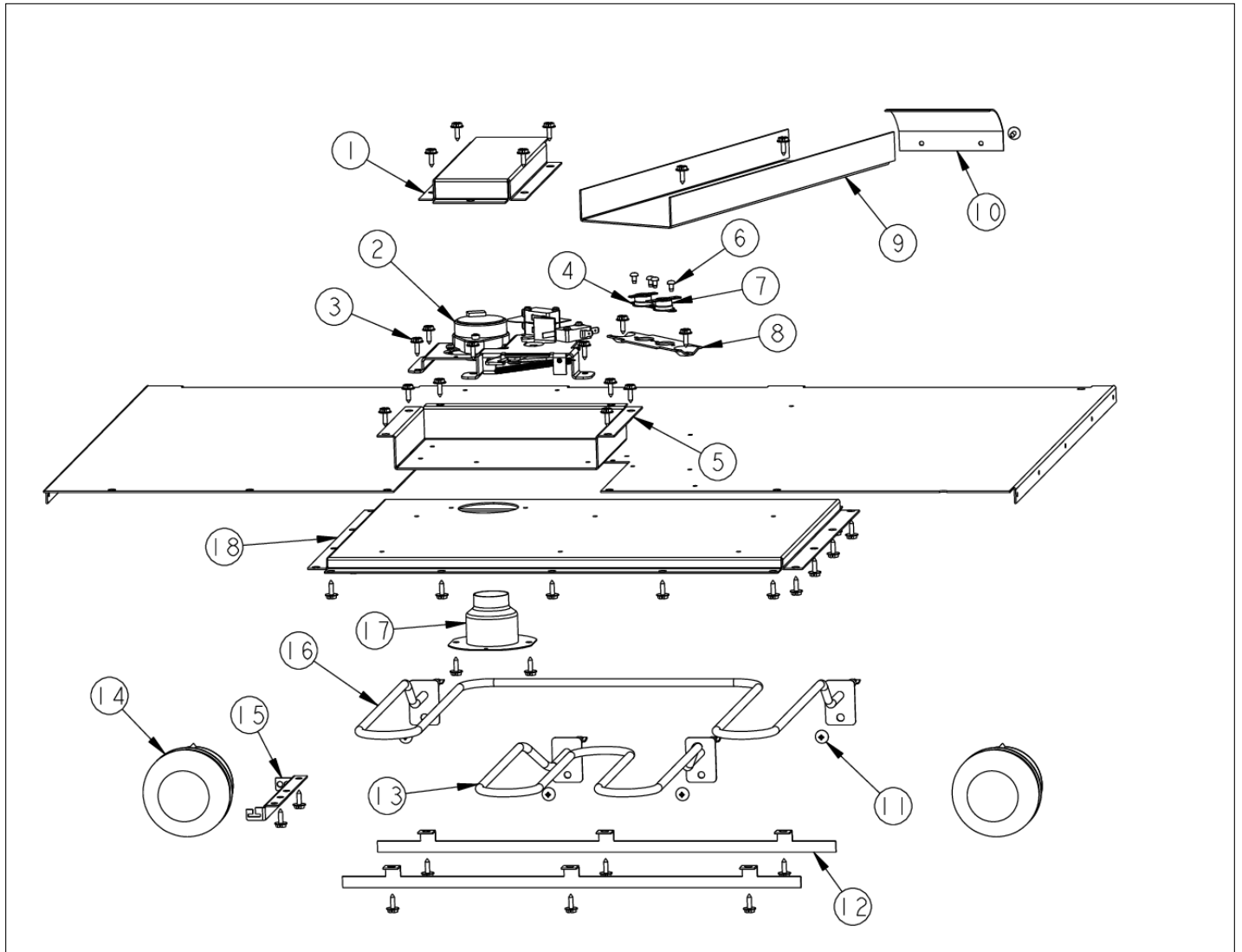
NOTE: EACH "KIT" WILL CONTAIN SEVERAL SETS OF IGNITOR WIRES (AS SHOWN BELOW). THESE SHOULD BE BUNDLED TOGETHER WITH TAPE & LABELED WITH THE KIT PURC. # , AND THE MODEL USAGE #.





Item	Part No.	Name	Qty	Uom	NOTES
1	PE070717	IGNITOR WIRE KIT - VDSC3676B	1	EA	

UPPER OVEN CAVITY

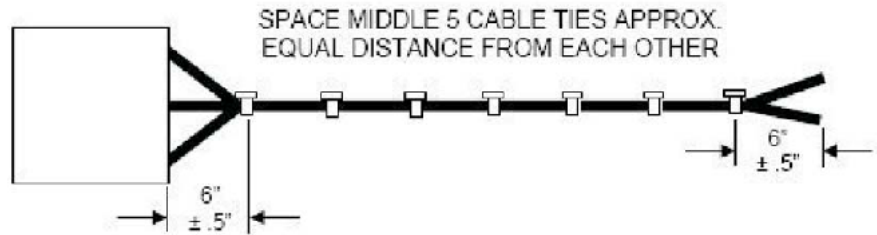
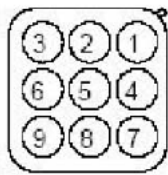




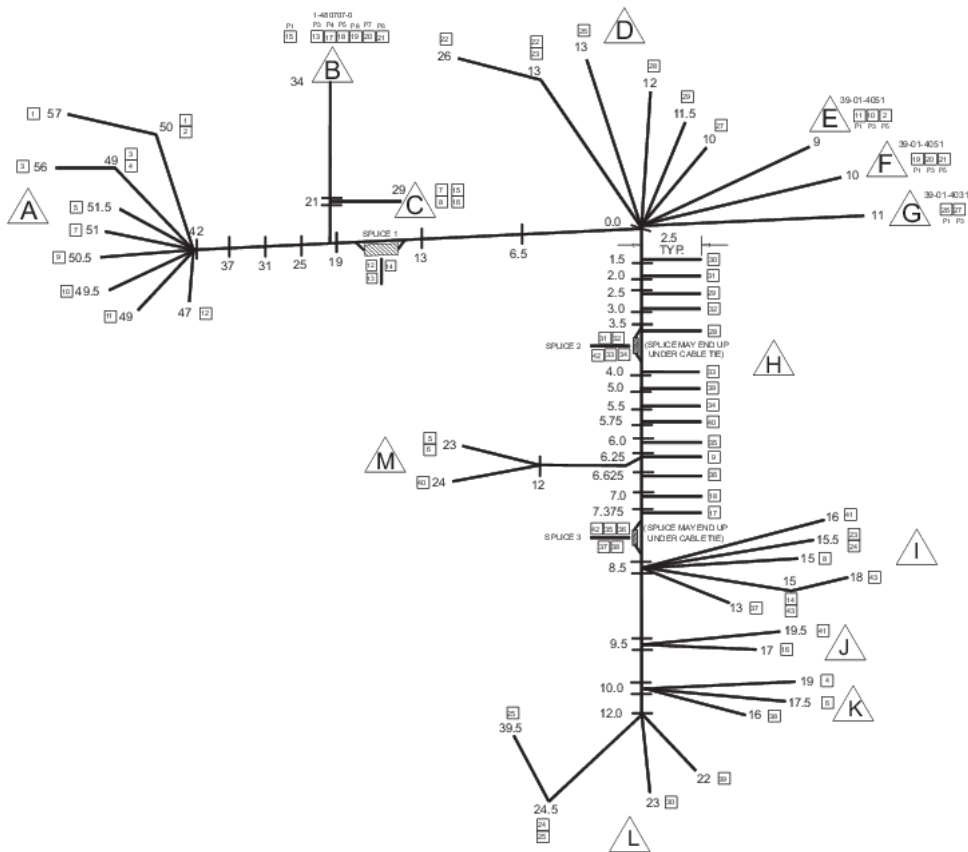
Item	Part No.	Name	Qty	Uom	NOTES
1	A2002479	SMOKE ELIMINATOR VENT (VDSC)	1	EA	
2	PE050053	DR LATCH REPL PE050020	1	EA	
3	PD020003	#10 X 1/2 T(A) HEX WASHER HEAD	1	EA	
4	PJ030006	SWITCH (COOLING FAN)	1	EA	
5	A2002168	DOOR LATCH BRKT (VDSC)	1	EA	
6	PD020006	' #6-32 X 1/4" PH.PAN HD. T(F)	1	EA	
7	PJ030005	SWITCH (HIGH-LIMIT) VDSC	1	EA	
8	A10014918	THERMODISC BRACKET	1	EA	Not available online / Call for pricing and availability
9	A2002450	LATCH COOLING DUCT (VDSC)	1	EA	NO LONGER AVAILABLE, Not available online / Call for pricing and availability
10	A2002478	AIR SCOOP (VDSC)	1	EA	NO LONGER AVAILABLE, Not available online / Call for pricing and availability
11	PD010003	10-24 X 1/2 PH.TR.HD.SERD.M.S.	1	EA	
12	B20012072	BROILER ELEMENT BRACKET	1	EA	NO LONGER AVAILABLE
13	PJ010001	BROIL ELEMENT 240V	1	EA	
14	031449-000	LAMP, ASM	1	EA	
15	B20012039	THERMAL BULB BRACKET	1	EA	Not available online / Call for pricing and availability
16	PJ010002	BROIL ELEMENT(MAXI)-SIDE (VDSC)240V	1	EA	
17	PM010014	SMOKE ELIMINATOR (VDSC)	1	EA	
18	B20010312	30" BROILER DEFLECTOR	1	EA	NO LONGER AVAILABLE

WIRING HARNESSES 1

1 WIRE INSERTION VIEW

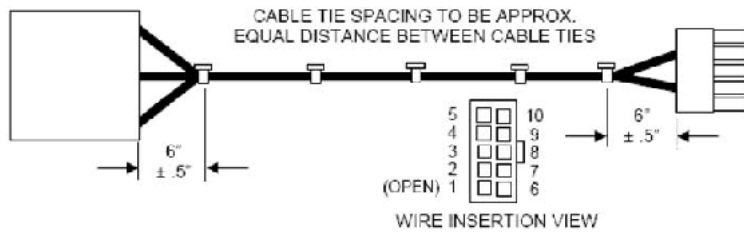
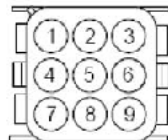


2



3

WIRE INSERTION VIEW

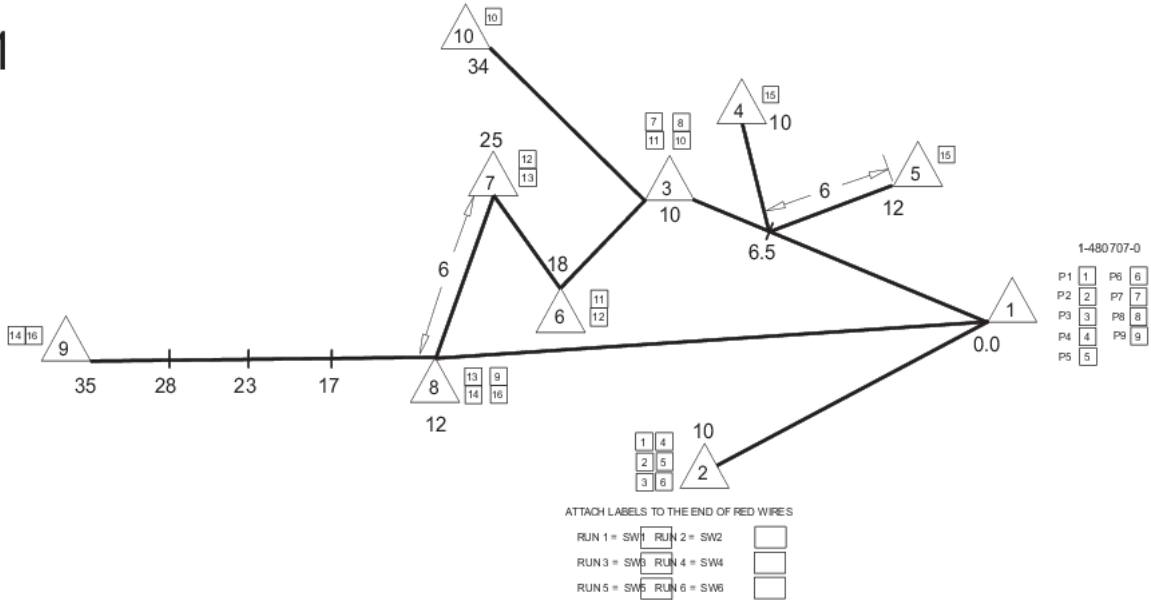




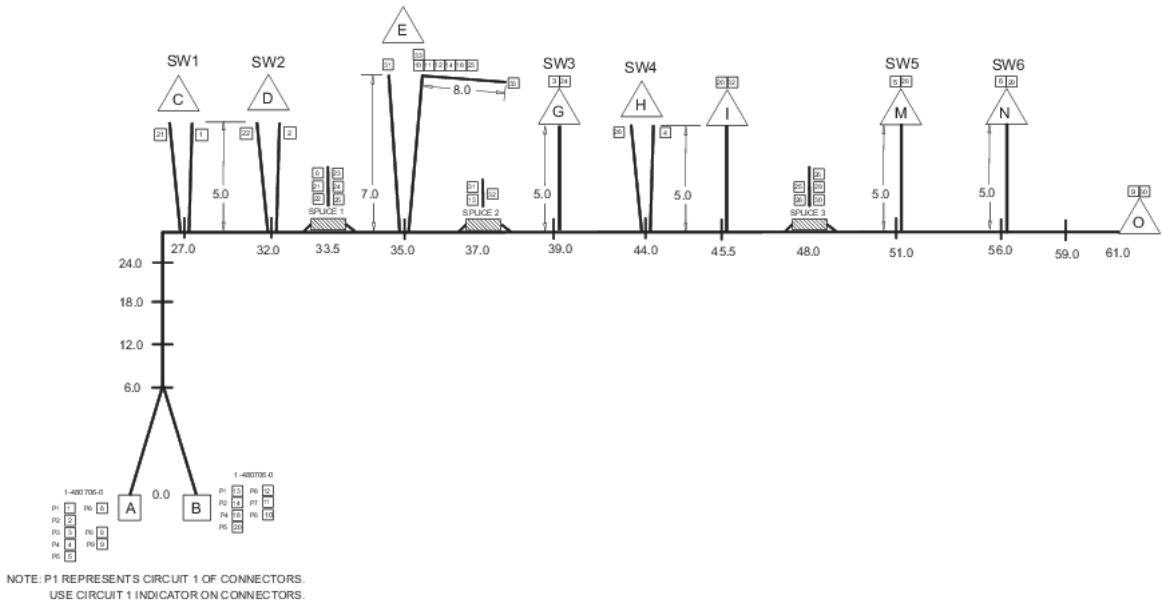
Item	Part No.	Name	Qty	Uom	NOTES
1	PE070779	RH 8 POS SELECTOR HARNESS	1	EA	
2	PE070781	RH MAIN OVEN HARNESS	1	EA	
3	PE070780	RH REAR SELECTOR HARNESS	1	EA	

WIRING HARNESSES 2

1



2





Item	Part No.	Name	Qty	Uom	NOTES
1	PE070783	6 POSITION SPARK MOD HARNESS	1	EA	
2	PE070808	IGNITOR SWITCH HARNESS (VDSC367C-6B)	1	EA	



Appendix A:Pages Index

BURNER BOX INTERIOR 1
CONTROL AREA 2
DOOR ASSEMBLY 3
DRIP TRAY 4
G4002815 WIRING HARNESS - LINE 5
LOWER UNIT AREA 6
MAIN OVEN CAVITY 7
REAR UNIT AREA 8
SINGLE WIRING 1 9
SINGLE WIRING 2 10
SURFACE COOKING AREA 11
TOP BURNER IGNITER WIRE KIT 12
UPPER OVEN CAVITY 13
WIRING HARNESSES 1 14
WIRING HARNESSES 2 15



Appendix B:Parts Index

A2002498	3
A2002499	3
A2002595	7
A2002654	8
A2002790	8
A2002800	3
A2002809	1
A2004295	6
A2007943	3
A2008440	7
B20010312	13
B20012039	13
B20012072	13
B2001504	6
B2002345	11
B2002346	11
B2002597	7
B2002598	7
B2002798	3
B92010437	2
C9001504AL	6
C9001504BK	6
C9001504BT	6
C9001504BU	6
C9001504CB	6
C9001504EP	6
C9001504FG	6
C9001504GG	6
C9001504LE	6
C9001504MJ	6
C9001504SG	6
C9001504VB	6
C9001504WH	6
C9002597AL	7
C9002597BK	7
C9002597BT	7
C9002597BU	7
C9002597CB	7
C9002597EP	7
C9002597FG	7
C9002597GG	7
000268-000	3
000594-000	3
000623-000	3
002158-000	2
003515-000	2
031449-000	13
050172-000	2
A1001138	2
A10014918	13
A1002456	8
A1002457	8
A1002596	7
A1006344	1
A2000210	1, 8
A2000667	1
A20010692	4
A2001105	11
A2001112	11
A20011246	1
A2001147	11
A20015483	8
A20016220	1
A2002155	7
A2002156	7
A2002168	13
A2002180	8
A2002183	7
A2002189	3
A2002193	8
A2002195	8
A2002367	3
A2002382	11
A2002450	13
A2002454	8
A2002475	7
A2002478	13
A2002479	13
A2002490	1
A2002491	1
A2002497	3



C9002597LE	7	G3202805BKBR	3
C9002597MJ	7	G3202805BT	3
C9002597SG	7	G3202805BTBR	3
C9002597VB	7	G3202805BU	3
C9002597WH	7	G3202805BUBR	3
C9002598AL	7	G3202805CB	3
C9002598BK	7	G3202805CBBR	3
C9002598BT	7	G3202805EP	3
C9002598BU	7	G3202805EPBR	3
C9002598CB	7	G3202805FG	3
C9002598EP	7	G3202805FGBR	3
C9002598FG	7	G3202805GG	3
C9002598GG	7	G3202805GGBR	3
C9002598LE	7	G3202805LE	3
C9002598MJ	7	G3202805LEBR	3
C9002598SG	7	G3202805MJ	3
C9002598VB	7	G3202805MJBR	3
C9002598WH	7	G3202805SG	3
C9002798AL	3	G3202805SGBR	3
C9002798BK	3	G3202805VB	3
C9002798BT	3	G3202805VBBR	3
C9002798BU	3	G3202805WH	3
C9002798CB	3	G3209181SS	3
C9002798EP	3	G3209181SSBR	3
C9002798FG	3	G4001562	10
C9002798GG	3	G4001572	9
C9002798LE	3	G4001656	9
C9002798MJ	3	G4001680	10
C9002798SG	3	G4001682	10
C9002798VB	3	G4002815	5
C9002798WH	3	G4002817	10
C9302345BR	11	G50013584AL	11
C9302346BR	11	G50013584BK	11
E9107933	7	G50013584BT	11
E9107934	7	G50013584CB	11
G30010455	4	G50013584EP	11
G30010696	4	G50013584FG	11
G3001585	2	G50013584GG	11
G3202805AL	3	G50013584LE	11
G3202805ALBR	3	G50013584MJ	11
G3202805BK	3	G50013584SG	11



G50013584VB	11	PB060045	7
G50013584WH	11	PB070208	7
G9102744	7	PB070268	1
G9102746	3	PC020126	7
G9102748	3	PC030017	6
G9102750	7	PC040010	4, 11
G93011459PVD	4	PD010003	1, 7, 13
J1002799	3	PD010012	2
J2002593	1	PD010016	11
J2101749	4	PD010019	3
PA010012	2	PD020002	1, 2, 3, 7, 11
PA020028	11	PD020003	1, 6, 7, 8, 11, 13
PA020045	2	PD020004	1, 11
PA020048	1	PD020006	2, 13
PA030002AL	11	PD020010	1
PA030002BK	11	PD020014	3, 7, 8
PA030002BT	11	PD020032	2, 3, 6, 11
PA030002CB	11	PD020033	2
PA030002EP	11	PD020044	8
PA030002FG	11	PD020046	2
PA030002GG	11	PD020049	4
PA030002LE	11	PD020185	8
PA030002MJ	11	PD030005	2
PA030002SG	11	PD030006	3
PA030002VB	11	PD030109	7
PA030002WH	11	PD040004	4
PA060037	11	PD040028	4
PA060038	11	PE010030	3
PA070003	2	PE010031	3
PA080015	11	PE010068	3
PA080016	11	PE010076	3
PA080036	11	PE030001PVD	3
PA080037	11	PE030006	3
PB010129	2	PE030013PVD	3
PB010130	2	PE050005	7
PB010206	2	PE050016	2
PB010207	2	PE050017	2
PB010209	2	PE050023	2
PB010230	2	PE050024	2
PB010231	2	PE050026	8
PB060030	7	PE050053	13



PE060030	3
PE060031	3
PE060045	3
PE060064	3
PE070147	8
PE070624	9
PE070717	12
PE070779	14
PE070780	14
PE070781	14
PE070783	15
PE070786	8
PE070808	15
PJ010001	13
PJ010002	13
PJ010003	7
PJ010006	7
PJ030001	2
PJ030002	8
PJ030005	13
PJ030006	13
PK000007	4
PK000008	4
PM010014	13
PS500033	2