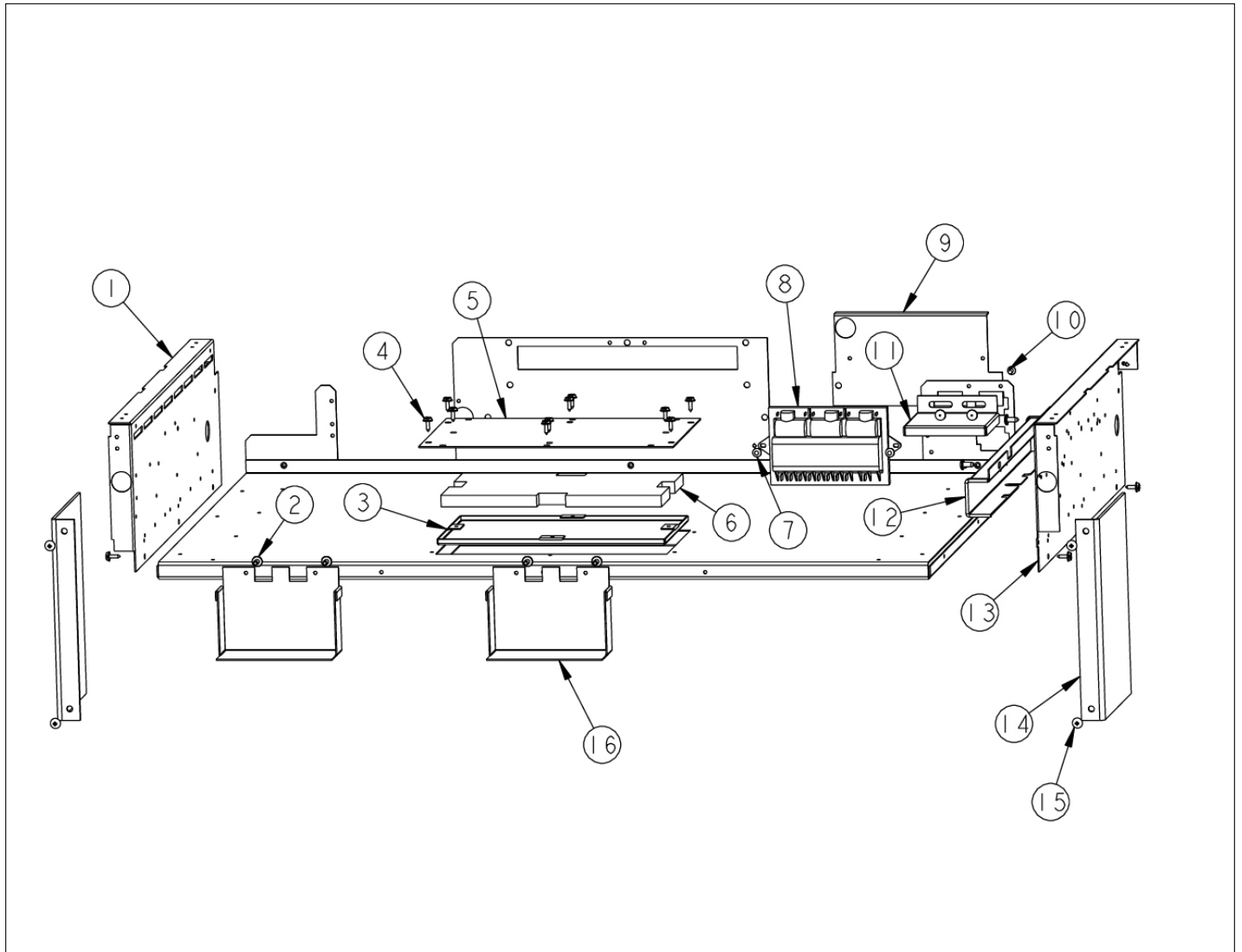


VDSC365-4GAFTER09-05-06

BURNER BOX INTERIOR	1
CONTROL AREA	2
DOOR ASSEMBLY	3
DRIP TRAY	4
G4002813 WIRING HARNESS - LINE	5
GRIDDLE SUBASSEMBLY	6
LOWER UNIT AREA	7
MAIN OVEN CAVITY	8
PE070809 IGNITER SWITCH HARNESS	9
REAR UNIT AREA	10
SINGLE WIRING 1	11
SINGLE WIRING 2	12
SINGLE WIRING 3	13
SURFACE COOKING AREA	14
TOP BURNER IGNITER WIRE KIT	15
UPPER OVEN CAVITY	16
WIRING HARNESSES 1	17
WIRING HARNESSES 2	18
Appendix A:Pages Index	A
Appendix B:Parts Index	B

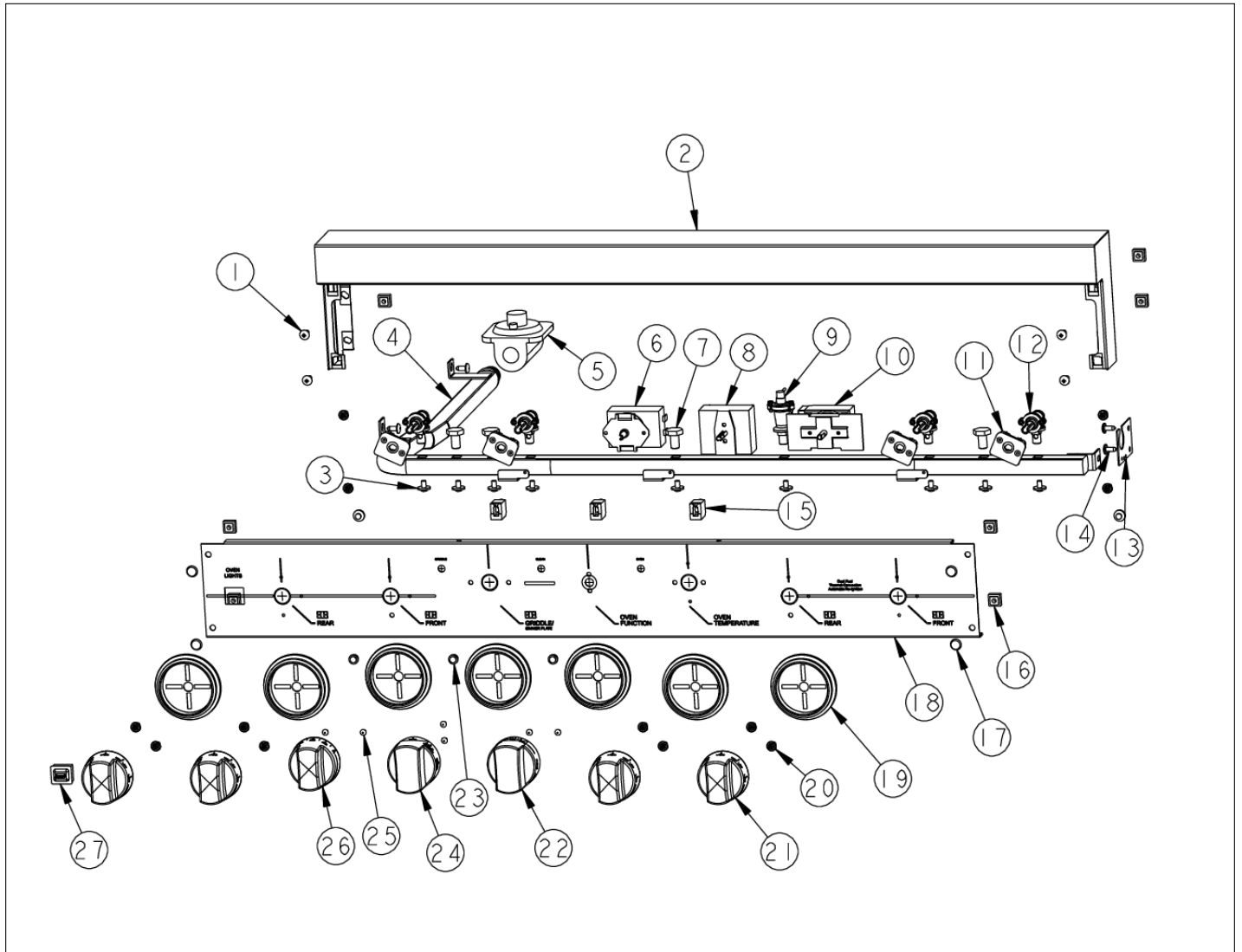
BURNER BOX INTERIOR





Item	Part No.	Name	Qty	Uom	NOTES
1	A2002491	BURNER BOX SIDE LH (VDSC)	1	EA	NO LONGER AVAILABLE, Not available online / Call for pricing and availability
2	PD020002	10 X 1/2 PH.TR.HD.SMS.	1	EA	
3	A20011246	VDSC487 DOOR LOCK INSUL. BOX	1	EA	NO LONGER AVAILABLE, Not available online / Call for pricing and availability
4	PD020003	#10 X 1/2 T(A) HEX WASHER HEAD	1	EA	
5	A1006344	DOOR LOCK ACCESS PANEL 48"	1	EA	NO LONGER AVAILABLE
6	PB070268	DOOR LOCK BOX INSULATION	1	EA	NO LONGER AVAILABLE
7	PD020004	10X3/8PH.HD.TYPE 25 REPL PD040125	1	EA	
8	PA020047	INVENSYS 0+4 RE-IGNITION SPARK MODULE	1	EA	
9	A20016220	OUTSIDE BACK TOP PLATE	1	EA	NO LONGER AVAILABLE, Not available online / Call for pricing and availability
10	PD020010	10 X 3/8 GREEN GROUNDING SCREW	1	EA	
11	A2000667	SHIELD - OUTLET VRTR	1	EA	NO LONGER AVAILABLE
12	A2000210	WIRE CHANNEL	1	EA	NO LONGER AVAILABLE, Not available online / Call for pricing and availability
13	A2002490	BURNER BOX SIDE RH (VDSC)	1	EA	NO LONGER AVAILABLE
14	J2002593	Oven Side Heat Sink	1	EA	Not available online / Call for pricing and availability
15	PD010003	10-24 X 1/2 PH.TR.HD.SERD.M.S.	1	EA	
16	A2002809	THERMOSTAT SHIELD (VDSC36-6B)	1	EA	NO LONGER AVAILABLE, Not available online / Call for pricing and availability

CONTROL AREA





Item	Part No.	Name	Qty	Uom	NOTES
1	PD010003	10-24 X 1/2 PH.TR.HD.SERD.M.S.	1	EA	
2	G3001585	36" LANDING LEDGE	1	EA	
3	PD010012	VALVE BOLT 1/4-20 UNC-2B 5/16" M.S.	1	EA	
4	002158-000	36" UNIVERSAL MANIFOLD	1	EA	
5	PA070003	PRESSURE REGULATOR (NAT.)	1	EA	
6	PB010264	GRIDDLE THERMOSTAT	1	EA	
7	PA010012	ROPER PLUG	1	EA	
8	PJ030001	SELECTOR SWITCH (8- POSITION) VDSC	1	EA	
9	007147-000	SHUT OFF VALVE	1	EA	
10	PS500033	SUB TO PS500033 - SELF CLEAN THERMOSTAT	1	EA	
11	PA020045	Spark Ignition Switch	1	EA	
12	003515-000	PA010157 VALVE AND BOLT KIT	1	EA	
13	A1001138	MANIFOLD BRKT	1	EA	NO LONGER AVAILABLE, Not available online / Call for pricing and availability
14	PD020002	10 X 1/2 PH.TR.HD.SMS.	1	EA	
15	PE050024	OVEN IND. LIGHT (LIGHT HOUSING)	1	EA	

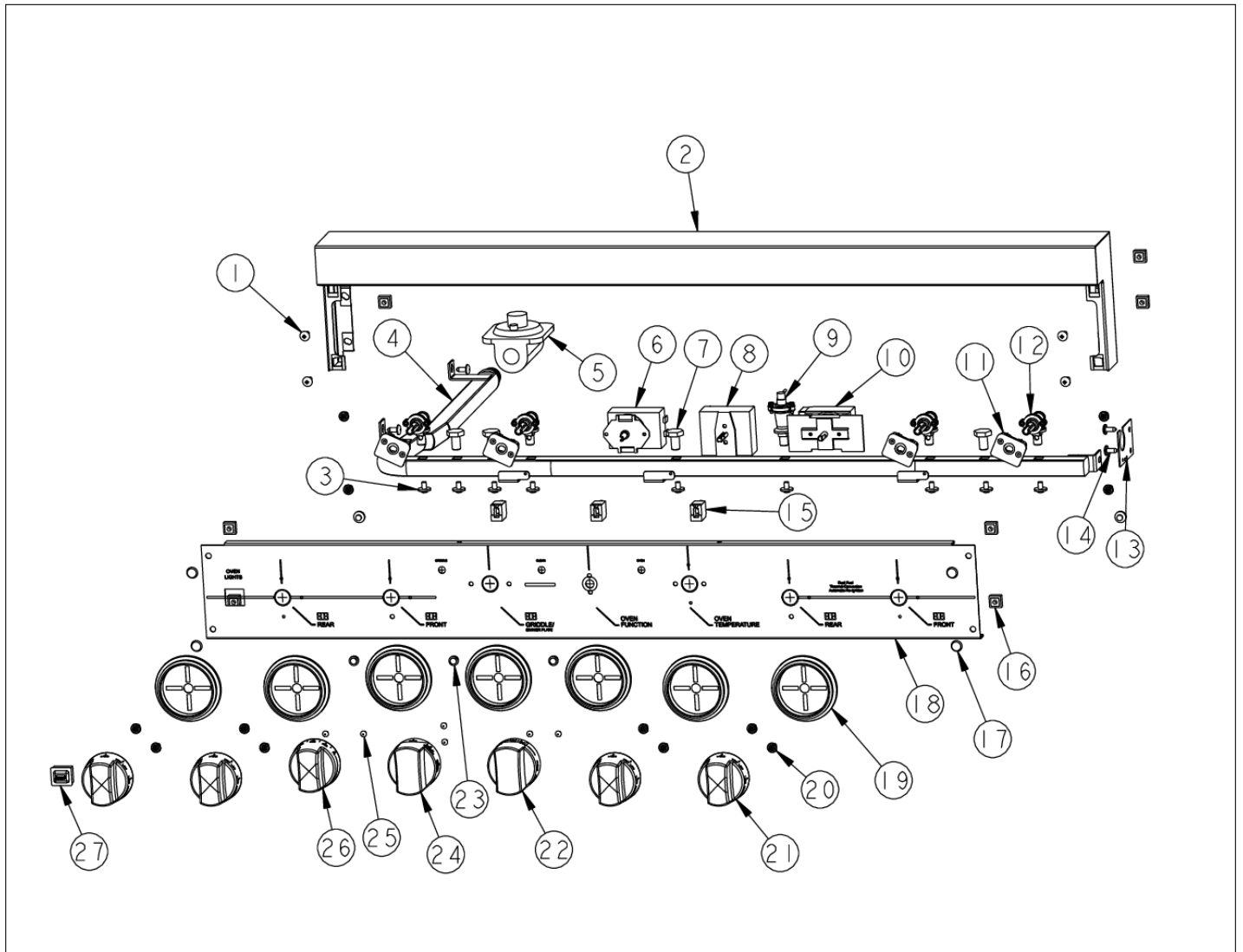
Comments for Part Num. PE050024

haarnink@vikingrange.com on Jan 14, 2019

please note that the indicator light is now part 043135-000 but needs the Jumper harness 051443-000. and second option there are units in the field with a 230V indicator light part number 036566-000.

please check this for all "E" module ranges/Tops

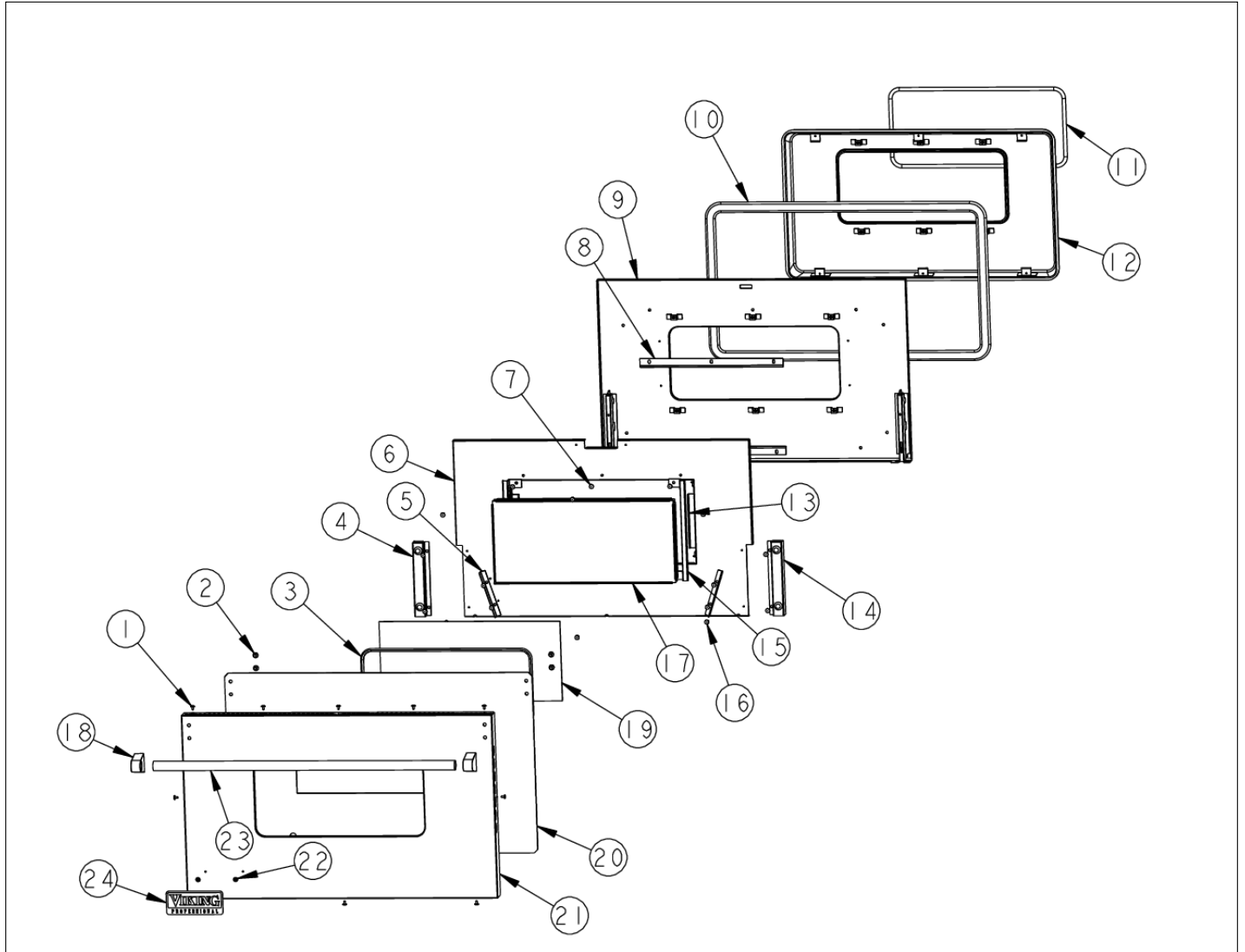
16	PD030005	SELF RETAINING NUT	1	EA	
17	PD020033	SRW #10-24 X 1/2" T (23) PH WFR HD (NKL)	1	EA	
18	B92010438	CONTROL PANEL VDSC36-64G	1	EA	
19	050172-000	BEZEL, KNOB	1	EA	
Not Shown	PB010209	Bezel - BR	1	EA	





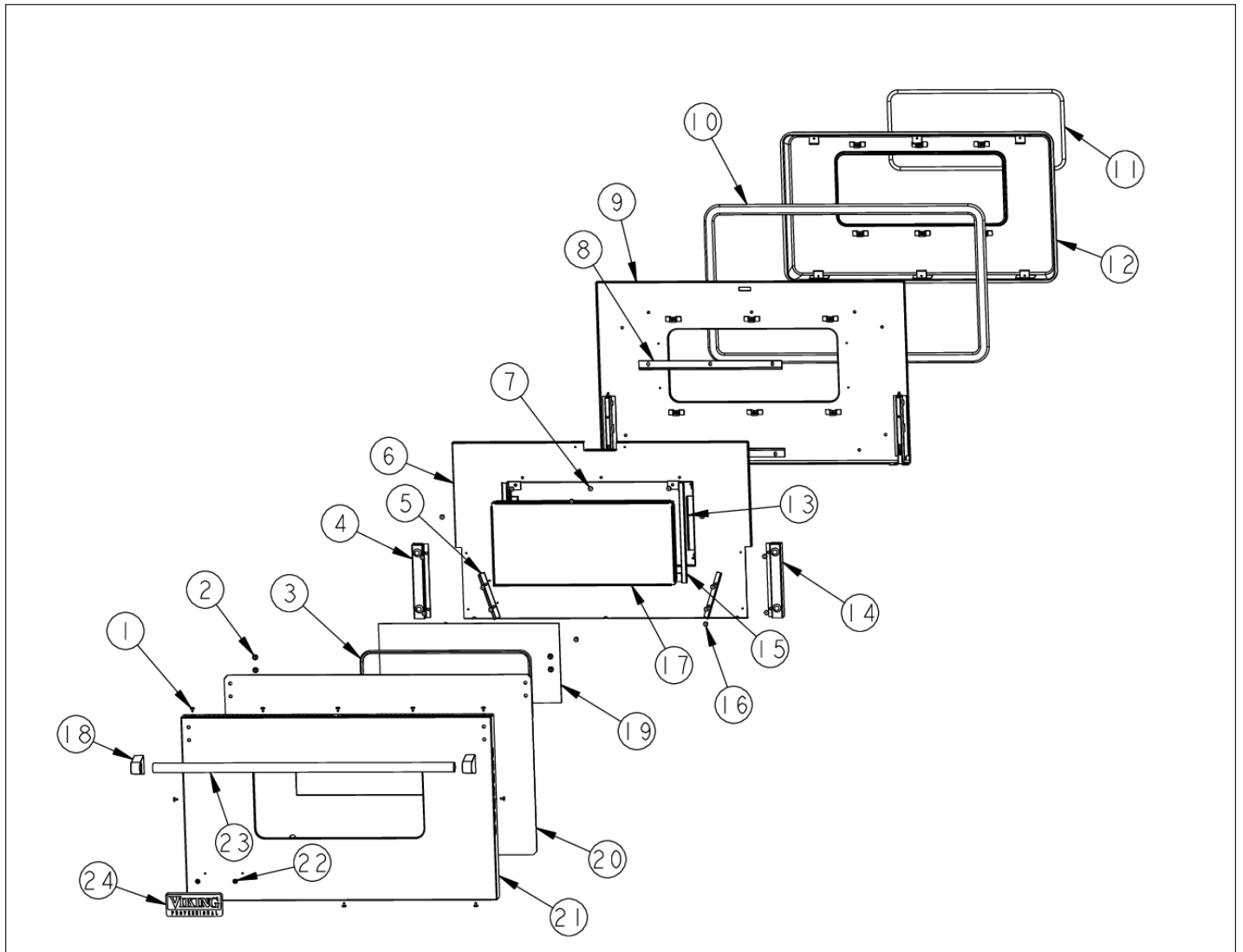
Item	Part No.	Name	Qty	Uom	NOTES
20	PD020046	#8 X 1/2 SCREWS	1	EA	
21	PB010206	TOP BURNER KNOB BK	1	EA	
Not Shown	PB010207	TOP BURNER KNOB WH	1	EA	Not available online / Call for pricing and availability
22	PB010129	THERMOSTAT KNOB *BK* (VDSC)	1	EA	
Not Shown	PB010130	THERMOSTAT KNOB *WH* (VDSC)	1	EA	
23	PE050023	OVEN IND. LIGHT (LENS & BEZEL)	1	EA	
24	PB010230	OVEN SELECT. KNOB*BK* VDSC307	1	EA	
Not Shown	PB010231	OVEN SELECT. KNOB*WH* VDSC307	1	EA	
25	PD020006	' #6-32 X 1/4" PH.PAN HD. T(F)	1	EA	
26	PB010103	GRIDDLE KNOB N/S *BK*	1	EA	
Not Shown	PB010104	GRIDDLE KNOB N/S *WH*	1	EA	
27	PE050016	OVEN LIGHT SWITCH - *BK* (WES-GAR)	1	EA	
Not Shown	PE050017	OVEN LIGHT SWITCH - *WH* (WES-GAR)	1	EA	

DOOR ASSEMBLY



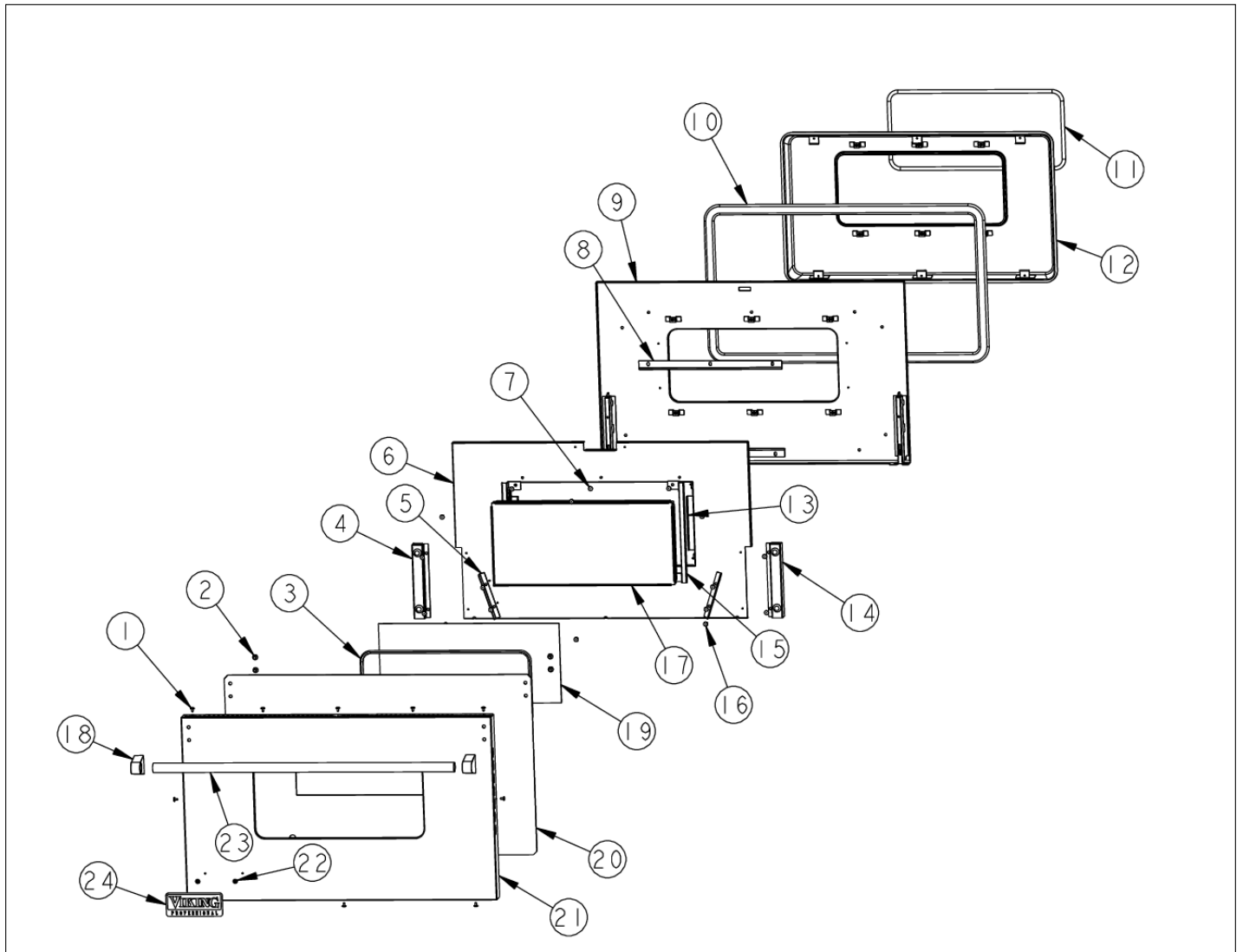


Item	Part No.	Name	Qty	Uom	NOTES
1	PD020032	SRW-8(A)X3/8"PH.WFR HD 7/16DIA*NICL	1	EA	
2	PD010019	BLT-1/4-20X3/8"HEX WASHER SERATED	1	EA	
3	PE060031	J-MOLD (LARGE WINDOW)	1	EA	
Not Shown	PE060045	J-MOLD (LARGE WINDOW) *BR*	1	EA	
4	A2002499	HINGE POCKET COVER LH	1	EA	
5	A2002497	DOOR GUIDE ANGLE VDSC	1	EA	
6	A2002800	DOOR INSULATION RETAINER (VDSC36)	1	EA	
7	PD020002	10 X 1/2 PH.TR.HD.SMS.	1	EA	
8	A2007943	GLASSPACK BRACKET, LARGE	1	EA	
9	G9102748	DOOR LINER ASSY (VDSC36)	1	EA	
10	000623-000	DOOR GASKET(3/8"DIA.) (VDSC)	1	EA	
11	000594-000	BLACK FIBERGLASS ROPE 3/8	1	EA	
12	G9102746	DOOR PLUG ASSY (VDSC36)	1	EA	
13	A2002189	DOOR GLASS STANDOFF (VDSC)	1	EA	
14	A2002498	HINGE POCKET COVER RH	1	EA	
15	A2002367	DOOR GLASS BRKT	1	EA	
16	PD020014	10X3/4 PH TR HD SMS	1	EA	
17	PE060064	WINDOW PACK, SELF CLEANING OVEN 30"	1	EA	
18	000268-000	HANDLE ENDCAP	1	EA	
Not Shown	PE030001PVD	END CAP DOOR HANDLE *BR	1	EA	
19	PE060030	OUTER DOOR GLASS	1	EA	
20	J1002799	OVEN DR HEAT SINK (VDSC36)	1	EA	Not available online / Call for pricing and availability
21	B2002798	O/S DOOR PANEL *SS* (VDSC36)	1	EA	
Not Shown	C9002798AL	O/S DOOR PANEL-*AL* (VDSC36)	1	EA	NO LONGER AVAILABLE, Not available online / Call for pricing and availability



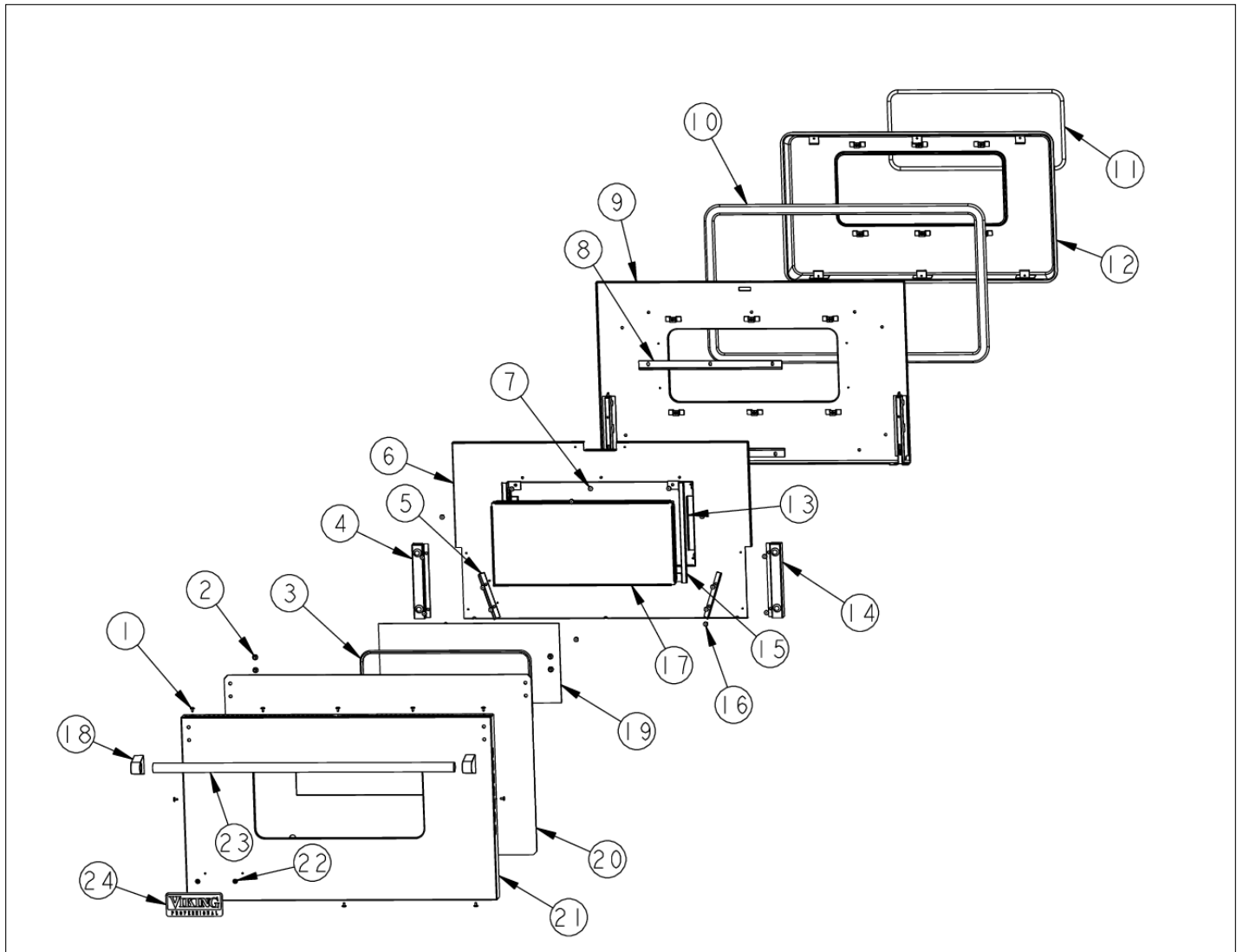


Item	Part No.	Name	Qty	Uom	NOTES
Not Shown	C9002798BK	O/S DOOR PANEL-*BK* (VDSC36)	1	EA	NO LONGER AVAILABLE
Not Shown	C9002798BT	O/S DOOR PANEL-*BT* (VDSC36)	1	EA	NO LONGER AVAILABLE, Not available online / Call for pricing and availability
Not Shown	C9002798BU	O/S DOOR PANEL-*BU* (VDSC36)	1	EA	NO LONGER AVAILABLE
Not Shown	C9002798CB	O/S DOOR PANEL-*CB* (VDSC36)	1	EA	NO LONGER AVAILABLE
Not Shown	C9002798EP	O/S DOOR PANEL-*EP* (VDSC36)	1	EA	NO LONGER AVAILABLE
Not Shown	C9002798FG	O/S DOOR PANEL-*FG* (VDSC36)	1	EA	NO LONGER AVAILABLE, Not available online / Call for pricing and availability
Not Shown	C9002798GG	O/S DOOR PANEL-*GG* (VDSC36)	1	EA	
Not Shown	C9002798LE	O/S DOOR PANEL-*LE* (VDSC36)	1	EA	NO LONGER AVAILABLE, Not available online / Call for pricing and availability
Not Shown	C9002798MJ	O/S DOOR PANEL_*MJ* (VDSC36)	1	EA	Not available online / Call for pricing and availability
Not Shown	C9002798SG	O/S DOOR PANEL-*SG* (VDSC36)	1	EA	NO LONGER AVAILABLE, Not available online / Call for pricing and availability
Not Shown	C9002798VB	O/S DOOR PANEL-*VB* (VDSC36)	1	EA	NO LONGER AVAILABLE, Not available online / Call for pricing and availability
Not Shown	C9002798WH	O/S DOOR PANEL-*WH* (VDSC36)	1	EA	Not available online / Call for pricing and availability
22	PD030006	CAPPED WASHER PAL NUT	1	EA	
23	PE030006	DOOR HANDLE - 36" (VGRC)	1	EA	
Not Shown	PE030013PVD	DOOR HANDLE (36") PVD - NLA	1	EA	NO LONGER AVAILABLE
24	PE010030	LOGO	1	EA	

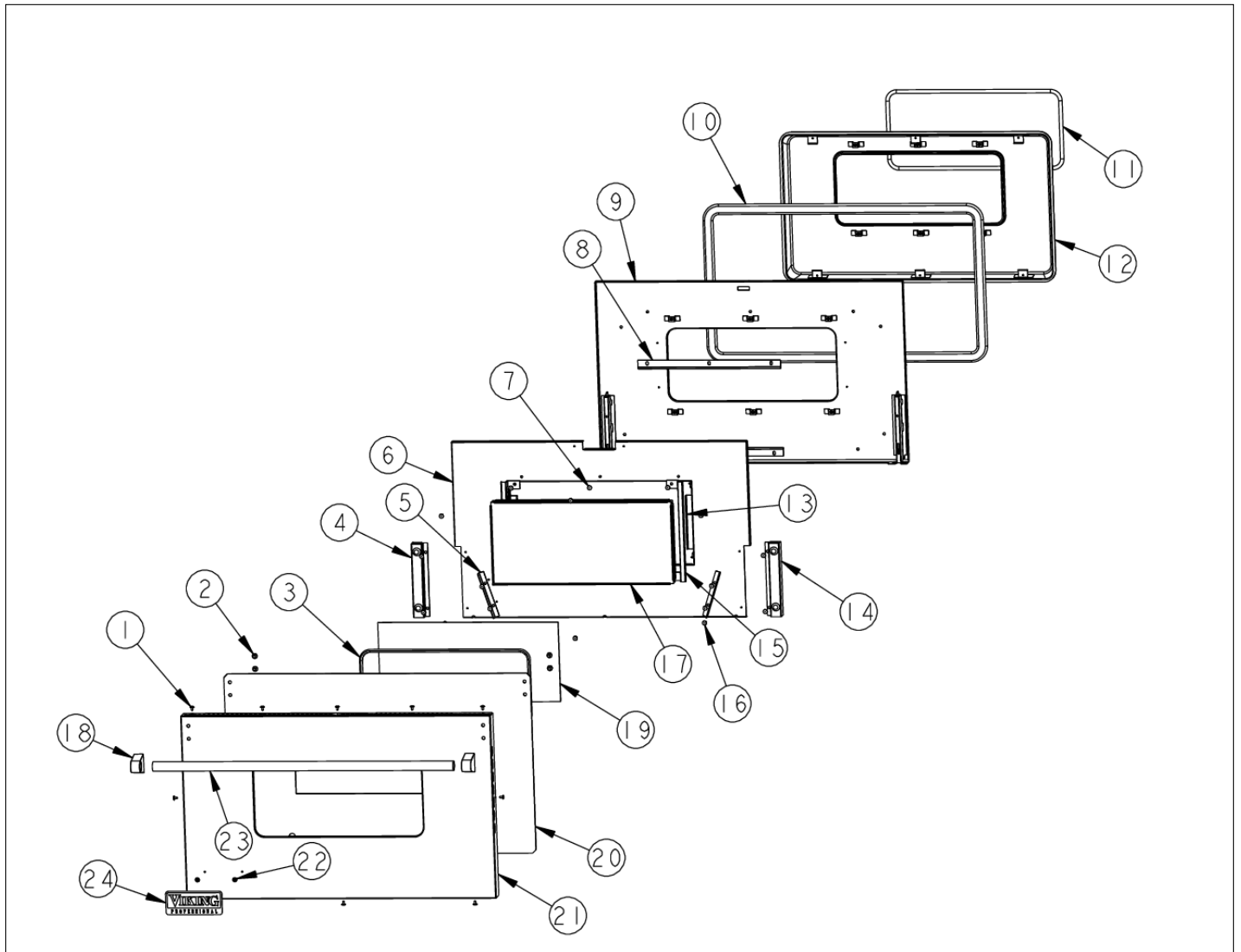




Item	Part No.	Name	Qty	Uom	NOTES
Not Shown	PE010068	LOGO 6" (VGRC) BK/BR	1	EA	
Not Shown	PE010031	LOGO 6" (VGRC) *BK/WH*	1	EA	NO LONGER AVAILABLE
Not Shown	PE010076	LOGO 6" (VGRC) *BR/WH*	1	EA	NO LONGER AVAILABLE
NI	G3202805AL	DOOR SUB-ASSY-*AL* (VDSC36)	1	EA	NO LONGER AVAILABLE, Not available online / Call for pricing and availability
Not Shown	G3202805ALBR	DOOR SUB-ASSY-*AL**BR* (VDSC36)	1	EA	NO LONGER AVAILABLE, Not available online / Call for pricing and availability
Not Shown	G3202805BK	DOOR SUB-ASSY-*BK* (VDSC36)	1	EA	NO LONGER AVAILABLE, Not available online / Call for pricing and availability
Not Shown	G3202805BKBR	COMPLETE DOOR ASSY. - BKBR	1	EA	Not available online / Call for pricing and availability
Not Shown	G3202805BT	DOOR SUB-ASSY-*BT* (VDSC36)	1	EA	NO LONGER AVAILABLE, Not available online / Call for pricing and availability
Not Shown	G3202805BTBR	COMPLETE DOOR ASSY. - BTBR	1	EA	Not available online / Call for pricing and availability
Not Shown	G3202805BU	DOOR SUB-ASSY-*BU* (VDSC36)	1	EA	NO LONGER AVAILABLE, Not available online / Call for pricing and availability
Not Shown	G3202805BUBR	DOOR SUB-ASSY-*BU**BR* (VDSC36)	1	EA	NO LONGER AVAILABLE, Not available online / Call for pricing and availability
Not Shown	G3202805CB	DOOR SUB-ASSY-*CB* (VDSC36)	1	EA	NO LONGER AVAILABLE, Not available online / Call for pricing and availability
Not Shown	G3202805CBBR	COMPLETE DOOR ASSY. - CBBR	1	EA	Not available online / Call for pricing and availability



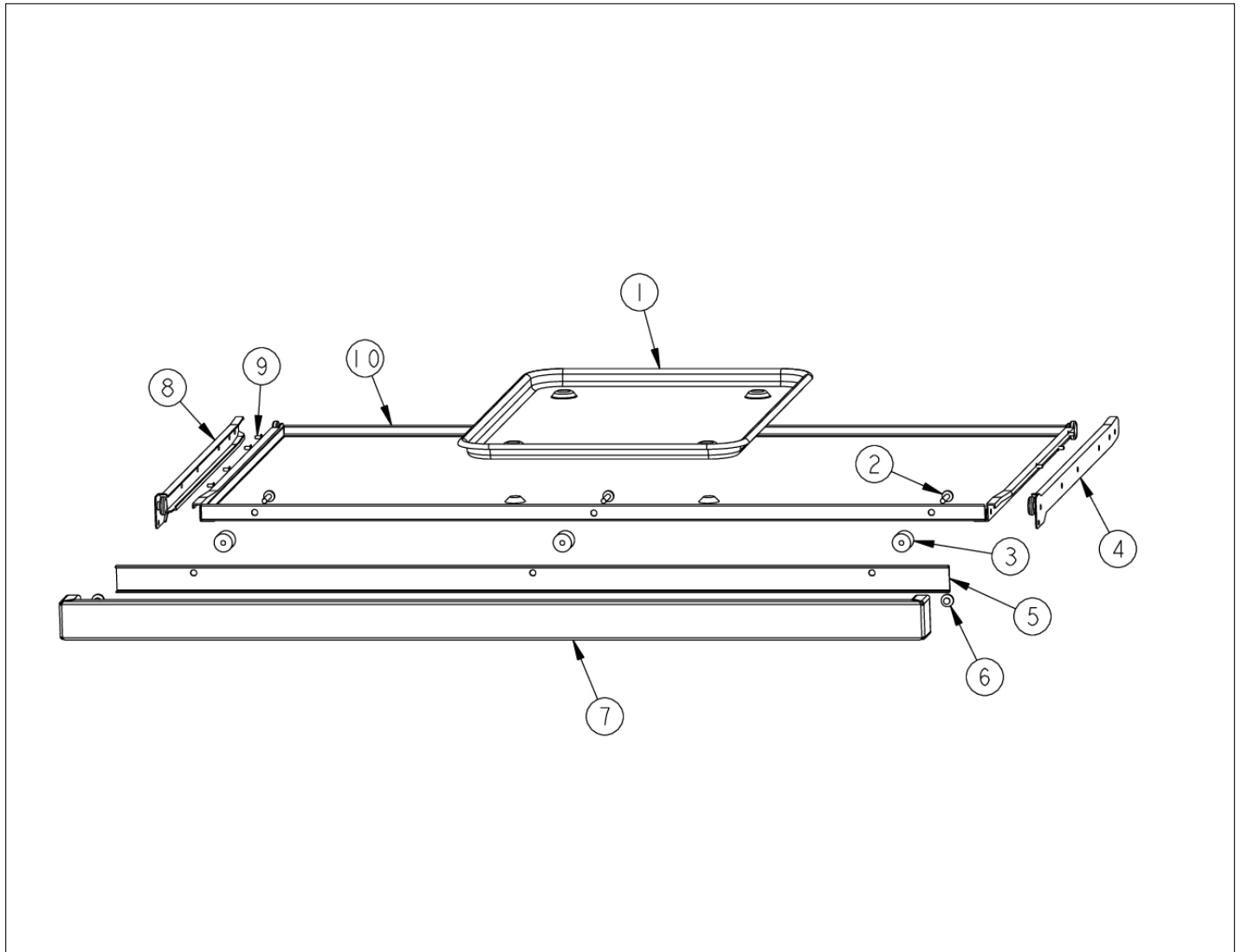
Item	Part No.	Name	Qty	Uom	NOTES
Not Shown	G3202805EP	DOOR SUB-ASSY- *EP* (VDSC36)	1	EA	NO LONGER AVAILABLE, Not available online / Call for pricing and availability
Not Shown	G3202805EPBR	COMPLETE DOOR ASSY. - EPBR	1	EA	Not available online / Call for pricing and availability
Not Shown	G3202805FG	DOOR SUB-ASSY- *FG* (VDSC36)	1	EA	NO LONGER AVAILABLE, Not available online / Call for pricing and availability
Not Shown	G3202805FGBR	DOOR SUB-ASSY- *FG**BR* (VDSC36)	1	EA	NO LONGER AVAILABLE, Not available online / Call for pricing and availability
Not Shown	G3202805GG	DOOR SUB-ASSY-*GG* (VDSC36)	1	EA	NO LONGER AVAILABLE, Not available online / Call for pricing and availability
Not Shown	G3202805GGBR	DOOR SUB-ASSY-*GG*BR* (VDSC36)	1	EA	NO LONGER AVAILABLE, Not available online / Call for pricing and availability
Not Shown	G3202805LE	DOOR SUB-ASSY- *LE* (VDSC36)	1	EA	NO LONGER AVAILABLE, Not available online / Call for pricing and availability
Not Shown	G3202805LEBR	COMPLETE DOOR ASSY. - LEBR	1	EA	
Not Shown	G3202805MJ	DOOR SUB-ASSY- *MJ* (VDSC36)	1	EA	
Not Shown	G3202805MJBR	COMPLETE DOOR ASSY. - MJBR	1	EA	Not available online / Call for pricing and availability
Not Shown	G3202805SG	DOOR SUB-ASSY- *SG* (VDSC36)	1	EA	NO LONGER AVAILABLE, Not available online / Call for pricing and availability
Not Shown	G3202805SGBR	COMPLETE DOOR ASSY. - SGBR	1	EA	Not available online / Call for pricing and availability
Not Shown	G3209181SS	DOOR ASSY 30" *SS*	1	EA	





Item	Part No.	Name	Qty	Uom	NOTES
Not Shown	G3209181SSBR	COMPLETE DOOR ASSY. - SSBR	1	EA	Not available online / Call for pricing and availability
Not Shown	G3202805VB	DOOR SUB-ASSY-*VB* (VDSC36)	1	EA	NO LONGER AVAILABLE, Not available online / Call for pricing and availability
Not Shown	G3202805VBBR	DOOR SUB-ASSY- *VB**BR* (VDSC36)	1	EA	NO LONGER AVAILABLE, Not available online / Call for pricing and availability
Not Shown	G3202805WH	DOOR SUB-ASSY-*WH* (VDSC36)	1	EA	NO LONGER AVAILABLE, Not available online / Call for pricing and availability

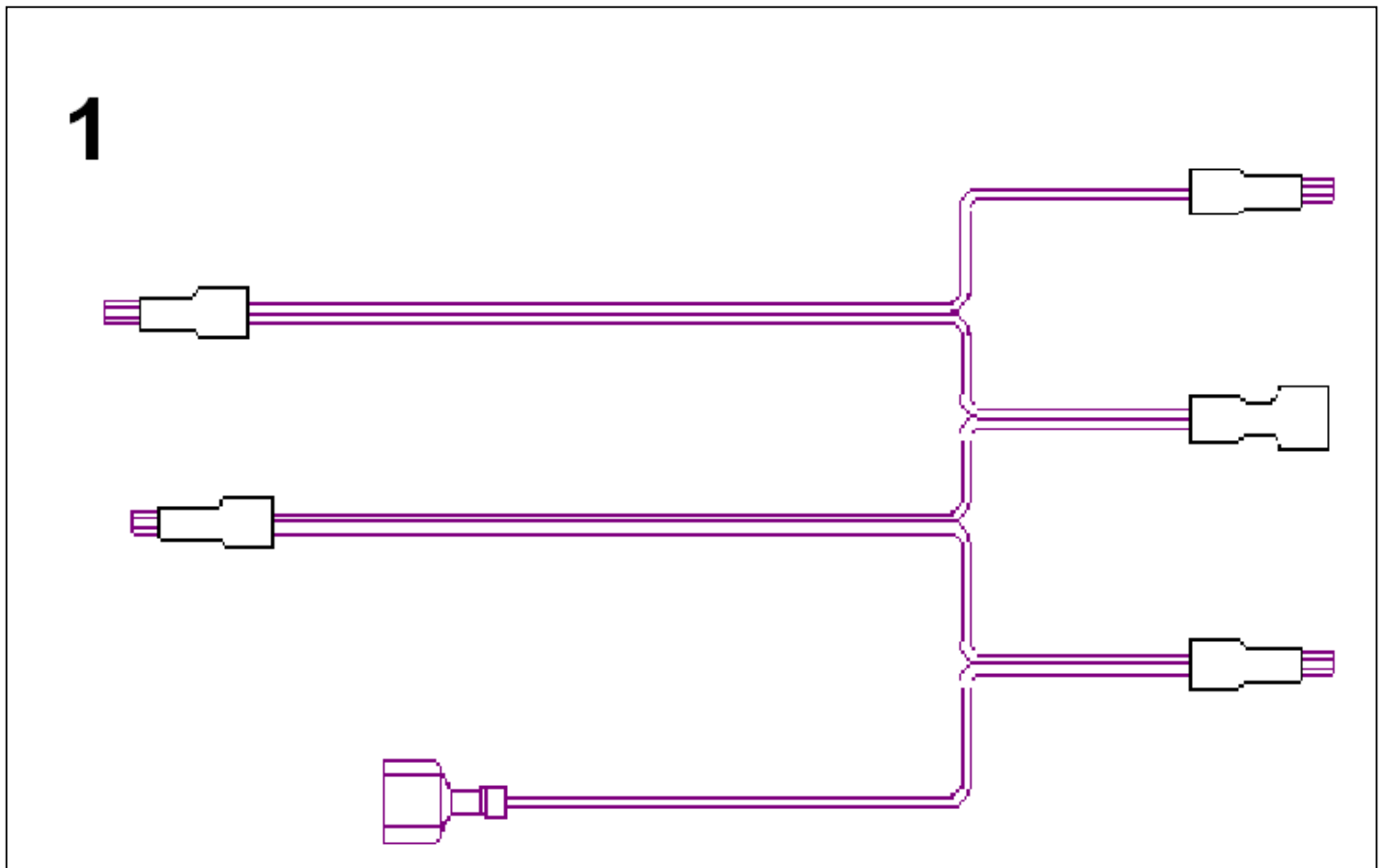
DRIP TRAY





Item	Part No.	Name	Qty	Uom	NOTES
1	J2101749	GREASE PAN	1	EA	
2	PD020049	#10 X 1 1/4 PH. PAN HD. T(A)	1	EA	
3	PD040028	BUSHING(.194ID/.750OD/.750LONG)	1	EA	
4	PK000008	Drip Tray Guide - RH	1	EA	NO LONGER AVAILABLE
5	A20010692	DRIP TRAY HANDLE BACK 36"	1	EA	
6	PD040004	GROMMET BUMPER	1	EA	
7	G30010696	DRIP TRAY HANDLE ASSY 36"	1	EA	
Not Shown	G93011459PVD	False Tray Handle - 6B (BR) - NLA	1	EA	
8	PK000007	DRIP TRAY GUIDE - LH (VGRT)	1	EA	NO LONGER AVAILABLE
9	PC040010	POP RIVET (.063/GR -.125) GAMD42-A	1	EA	
10	G30010455	36" DRIP TAY ASSY, NLA	1	EA	

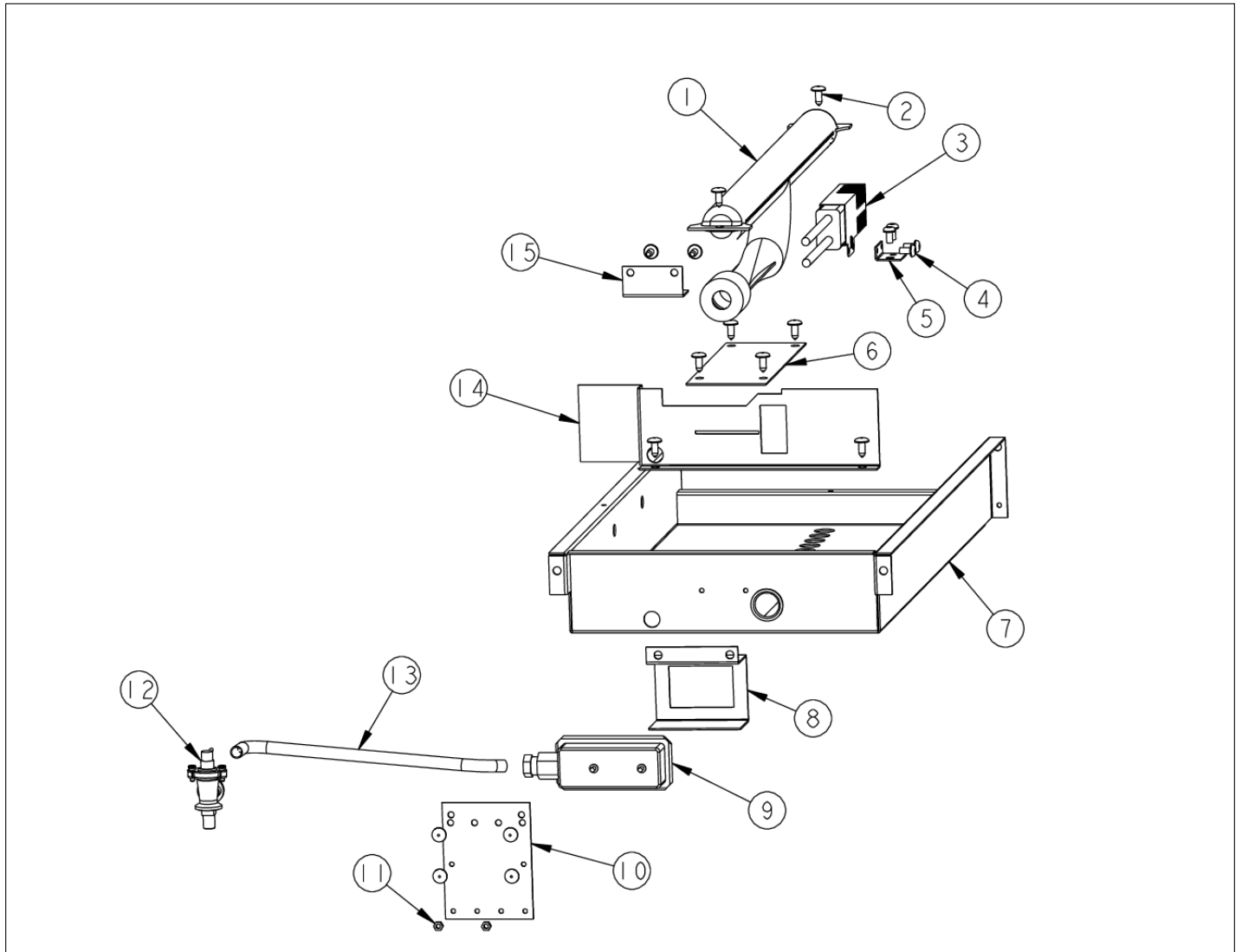
G4002813 WIRING HARNESS - LINE





Item	Part No.	Name	Qty	Uom	NOTES
1	G4002813	WIRING HARNESS (LINE) (VDSC36)	1	EA	

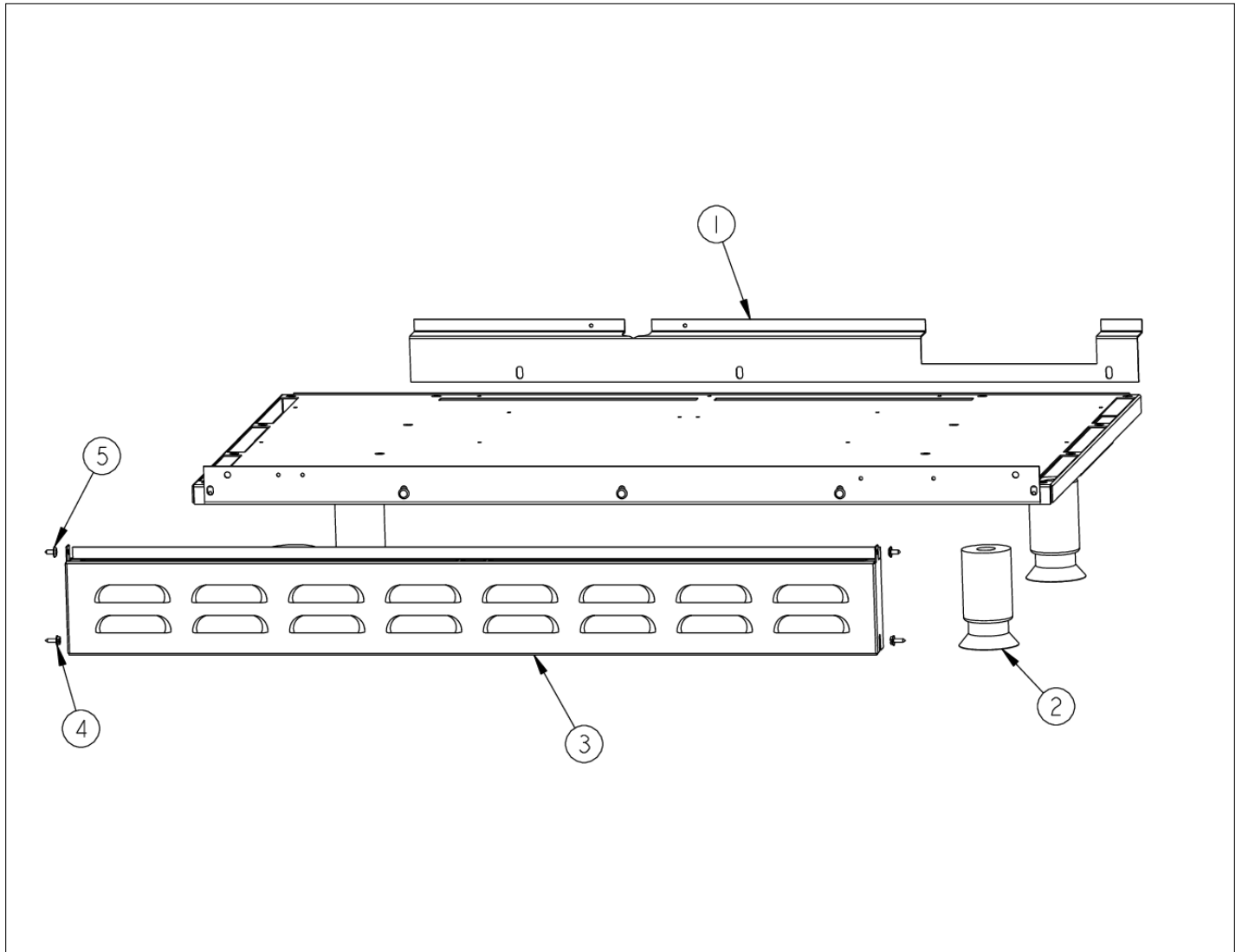
GRIDDLE SUBASSEMBLY





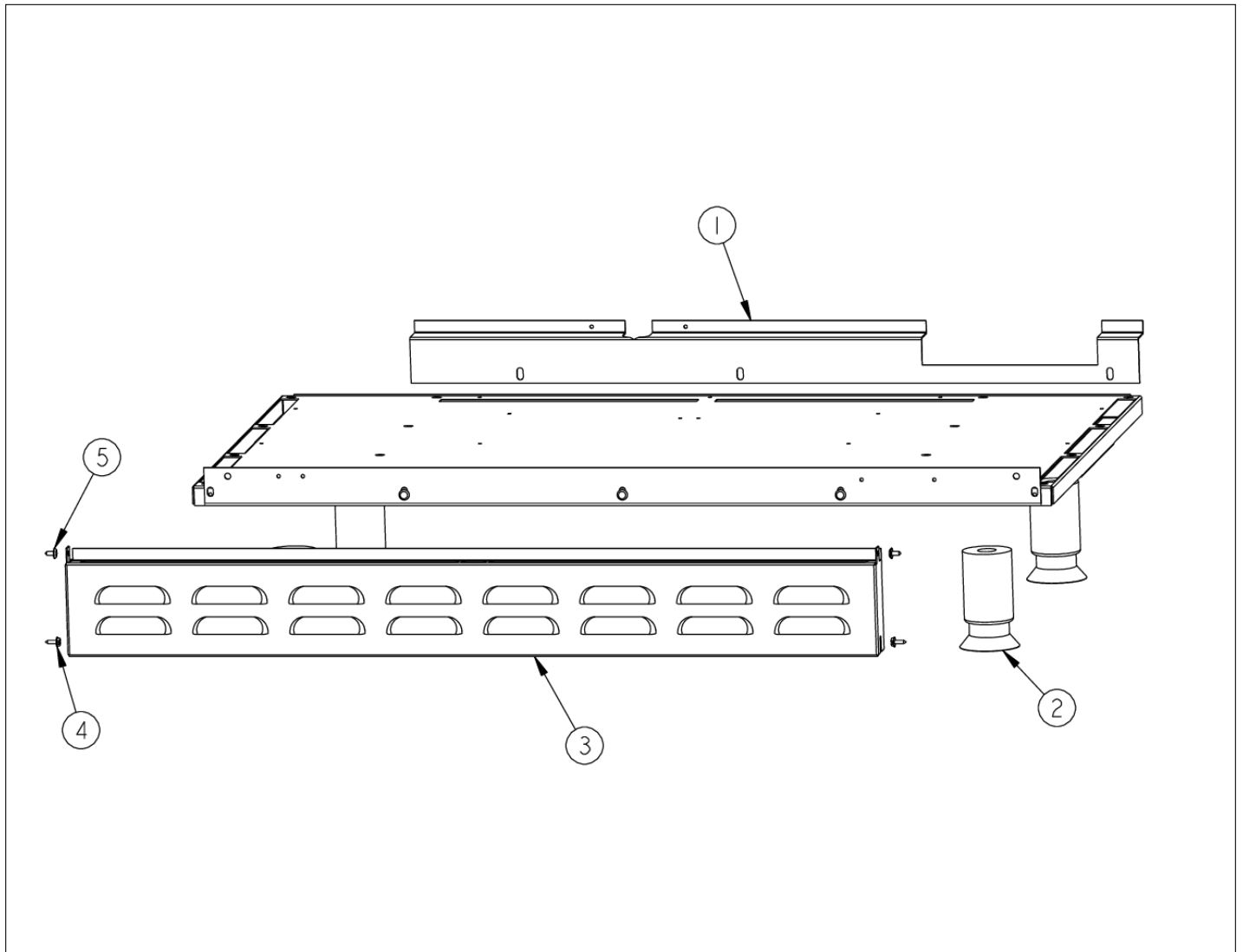
Item	Part No.	Name	Qty	Uom	NOTES
1	PB050077	GRILL BURNER	1	EA	
2	PD020002	10 X 1/2 PH.TR.HD.SMS.	1	EA	
3	PB040001	Igniter	1	EA	
4	PD020004	10X3/8PH.HD.TYPE 25 REPL PD040125	1	EA	
5	A2001300	Griddle Igniter Bracket	1	EA	
6	A1001636	GRIDDLE VENTURI COVER	1	EA	
7	A2001148	GRIDDLE BOX (VGRT)	1	EA	
8	A2001630	GRIDDLE VALVE COVER (VGRC)	1	EA	
9	PB010004	SINGLE SAFETY VALVE (NAT. GRIDDLE)	1	EA	
10	A1001198	THERMAL VALVE BRKT	1	EA	NO LONGER AVAILABLE, Not available online / Call for pricing and availability
11	PD030012	6-32 HEX NUT	1	EA	
12	007147-000	SHUT OFF VALVE	1	EA	
13	PB020116	TUBING - 10" FLEXIBLE 12 & 24"	1	EA	
14	A2002001	GRIDDLE HEAT BAFFLE - SLOT SUPT	1	EA	
15	A2001881	FRONT MTG. BRKT. GRIDDLE FLAME SHLD	1	EA	

LOWER UNIT AREA





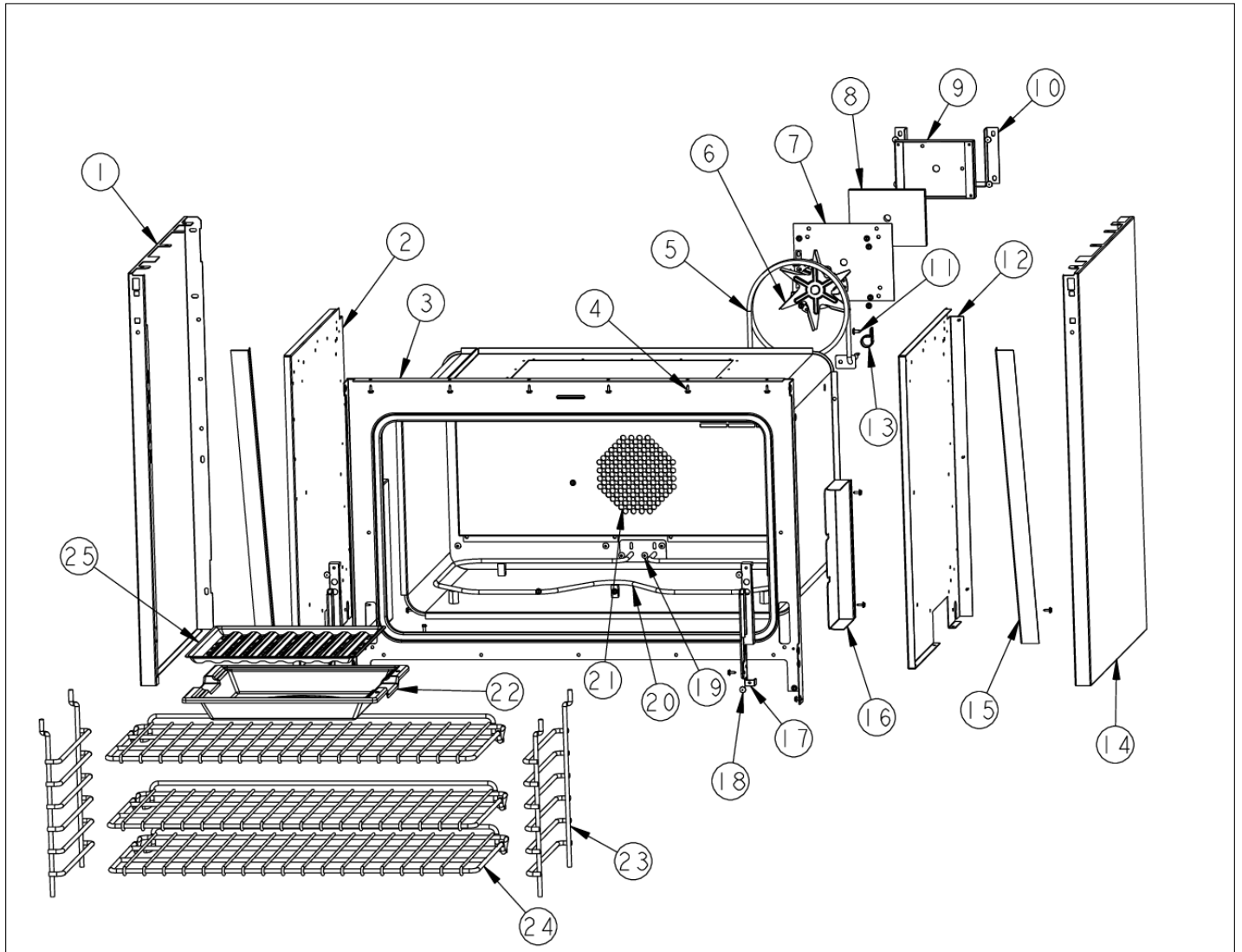
Item	Part No.	Name	Qty	Uom	NOTES
1	A2004295	LOWER BACK COVER (VDSC365)	1	EA	NO LONGER AVAILABLE, Not available online / Call for pricing and availability
2	PC030017	4" LEG ASSY	1	EA	
3	B2001504	LWR ACC PNL - RPLCS B2001977	1	EA	
Not Shown	C9001504AL	LWR ACC PNL - RPLCS C9001977AL	1	EA	NO LONGER AVAILABLE
Not Shown	C9001504BK	LWR ACC PNL - RPLCS C9001977BK	1	EA	
Not Shown	C9001504BT	LWR ACC PNL - RPLCS C9001977BT	1	EA	NO LONGER AVAILABLE, Not available online / Call for pricing and availability
Not Shown	C9001504BU	LWR ACC PNL - RPLCS C9001977BU	1	EA	Not available online / Call for pricing and availability
Not Shown	C9001504CB	LWR ACC PNL - RPCLS C9001977CB	1	EA	NO LONGER AVAILABLE, Not available online / Call for pricing and availability
Not Shown	C9001504EP	LWR ACC PNL - RPLCS C9001977EP	1	EA	NO LONGER AVAILABLE
Not Shown	C9001504FG	LWR ACC PNL - RPLCS C9001977FG	1	EA	NO LONGER AVAILABLE
Not Shown	C9001504GG	LWR ACC PNL - RPLCS C9001977GG	1	EA	NO LONGER AVAILABLE, Not available online / Call for pricing and availability
Not Shown	C9001504LE	LWR ACC PNL - RPLCS C9001977LE	1	EA	NO LONGER AVAILABLE, Not available online / Call for pricing and availability
Not Shown	C9001504MJ	LWR ACC PNL - RPLCS C9001977MJ	1	EA	Not available online / Call for pricing and availability
Not Shown	C9001504SG	LWR ACC PNL - RPCLS C9001977SG	1	EA	NO LONGER AVAILABLE, Not available online / Call for pricing and availability
Not Shown	C9001504VB	LWR ACC PNL - RPLCS C9001977VB	1	EA	NO LONGER AVAILABLE





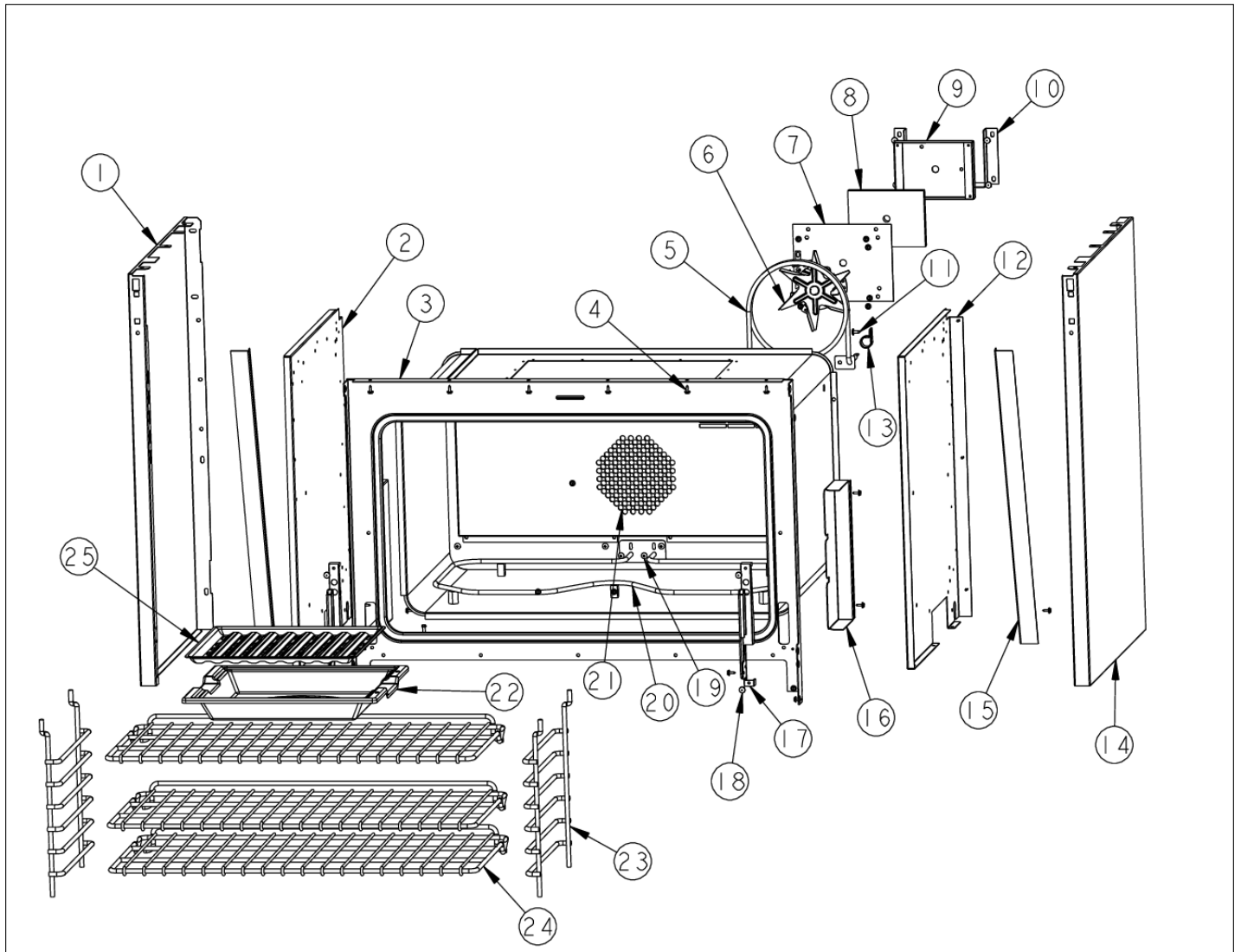
Item	Part No.	Name	Qty	Uom	NOTES
Not Shown	C9001504WH	LWR ACC PNL - RPLCS C9001977WH	1	EA	
4	PD020003	#10 X 1/2 T(A) HEX WASHER HEAD	1	EA	
5	PD020032	SRW-8(A)X3/8"PH.WFR HD 7/16DIA*NICL	1	EA	

MAIN OVEN CAVITY



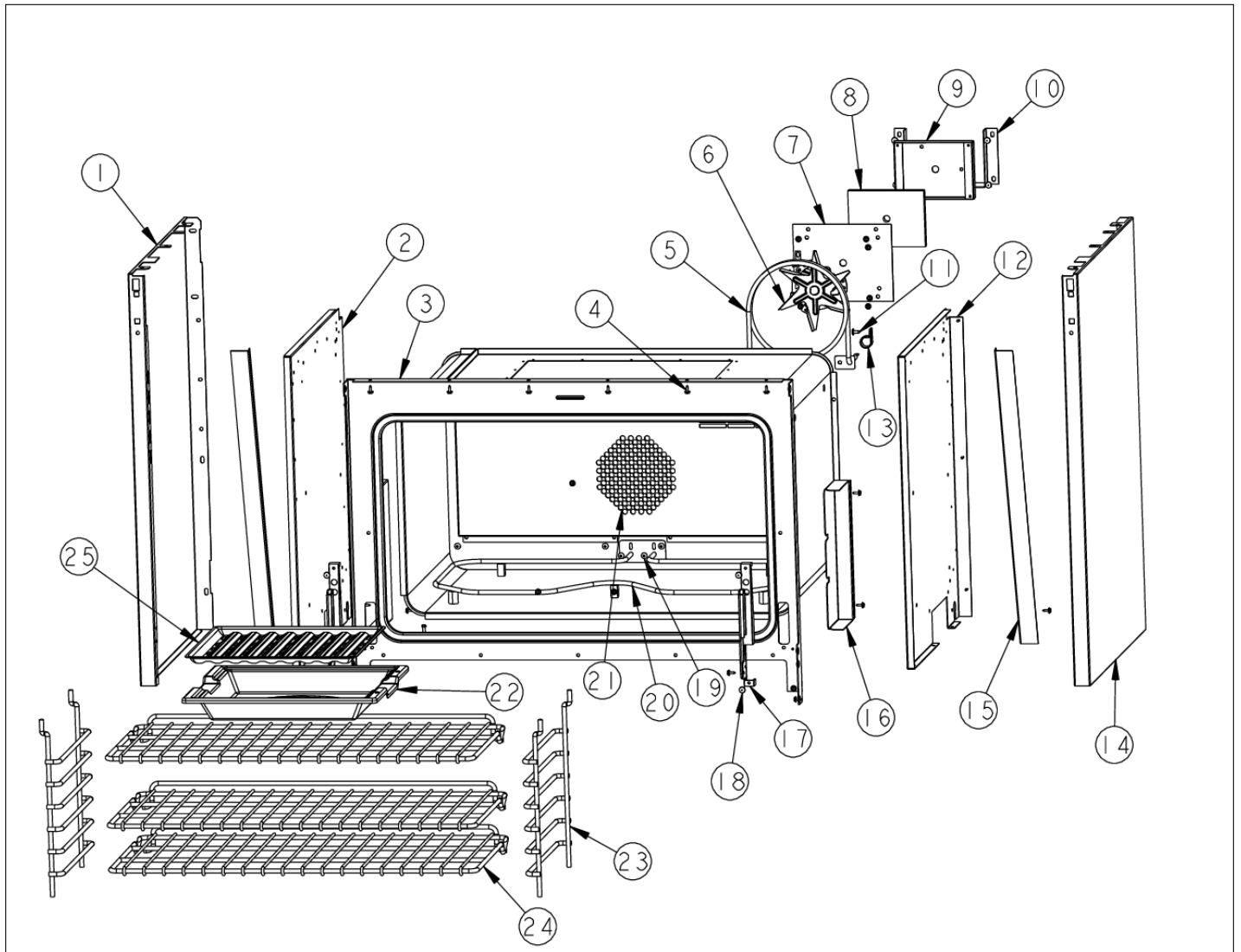


Item	Part No.	Name	Qty	Uom	NOTES
1	B2002598	O/S BODY PANEL LH (SS)	1	EA	
Not Shown	C9002598AL	BODY PNL LH 30'REPL C9001922AL	1	EA	NO LONGER AVAILABLE, Not available online / Call for pricing and availability
Not Shown	C9002598BK	BODY PNL LH 30'REPL C9001922BK	1	EA	
Not Shown	C9002598BT	O/S BODY PANEL-LH *BT* (VDSC)	1	EA	NO LONGER AVAILABLE
Not Shown	C9002598BU	BODY PNL LH 30'REPL C9001922BU	1	EA	
Not Shown	C9002598CB	O/S BODY PANEL-LH *CB* (VDSC)	1	EA	Not available online / Call for pricing and availability
Not Shown	C9002598EP	O/S BODY PANEL-LH *EP* (VDSC)	1	EA	NO LONGER AVAILABLE, Not available online / Call for pricing and availability
Not Shown	C9002598FG	BODY PNL LH 30'REPL C9001922FG	1	EA	NO LONGER AVAILABLE, Not available online / Call for pricing and availability
Not Shown	C9002598GG	BODY PNL LH 30'REPL C9001922GG	1	EA	Not available online / Call for pricing and availability
Not Shown	C9002598LE	O/S BODY PANEL-LH *LE* (VDSC)	1	EA	NO LONGER AVAILABLE, Not available online / Call for pricing and availability
Not Shown	C9002598MJ	O/S BODY PANEL-LH *MJ* (VDSC)	1	EA	NO LONGER AVAILABLE
Not Shown	C9002598SG	O/S BODY PANEL-LH *SG* (VDSC)	1	EA	NO LONGER AVAILABLE, Not available online / Call for pricing and availability
Not Shown	C9002598VB	BODY PNL LH 30'REPL C9001922VB	1	EA	NO LONGER AVAILABLE, Not available online / Call for pricing and availability
Not Shown	C9002598WH	BODY PNL LH 30'REPL C9001922WH	1	EA	





Item	Part No.	Name	Qty	Uom	NOTES
2	A2002156	OVEN SIDE INSUL.RETAINER-LH(VDSC)	1	EA	NO LONGER AVAILABLE, Not available online / Call for pricing and availability
3	G9102744	OVEN FRONT FRAME ASSY (VDSC36)	1	EA	Not available online / Call for pricing and availability
4	PD020003	#10 X 1/2 T(A) HEX WASHER HEAD	1	EA	
5	PJ010003	CONVECTION ELEMENT (VDSC) 240V	1	EA	
6	PE050005	CONVECTION FAN ASSY	1	EA	
7	A1002596	CONVECTION FAN COVER (VDSC)	1	EA	
8	PB070208	CONVECTION FAN INSULATION	1	EA	
9	A2002595	CONVECTION FAN BOX (VDSC)	1	EA	
10	A2008440	ALL SIDE FAN INSULATION SHIELD	1	EA	NO LONGER AVAILABLE, Not available online / Call for pricing and availability
11	PD020002	10 X 1/2 PH.TR.HD.SMS.	1	EA	
12	A2002155	OVEN SIDE INSUL.RETAINER-RH(VDSC)	1	EA	NO LONGER AVAILABLE, Not available online / Call for pricing and availability
13	PD030109	INSULATED CLAMP	1	EA	
14	B2002597	O/S BODY PANEL - RH (SS)	1	EA	
Not Shown	C9002597AL	O/S BODY PANEL-RH *AL* (VDSC)	1	EA	NO LONGER AVAILABLE, Not available online / Call for pricing and availability
Not Shown	C9002597BK	BODY PNL RH BK REPL C9001921BK	1	EA	
Not Shown	C9002597BT	O/S BODY PANEL-RH *BT* (VDSC)	1	EA	NO LONGER AVAILABLE
Not Shown	C9002597BU	BODY PNL RH BU REPL C9001921BU	1	EA	Not available online / Call for pricing and availability
Not Shown	C9002597CB	O/S BODY PANEL-RH *CB* (VDSC)	1	EA	NO LONGER AVAILABLE

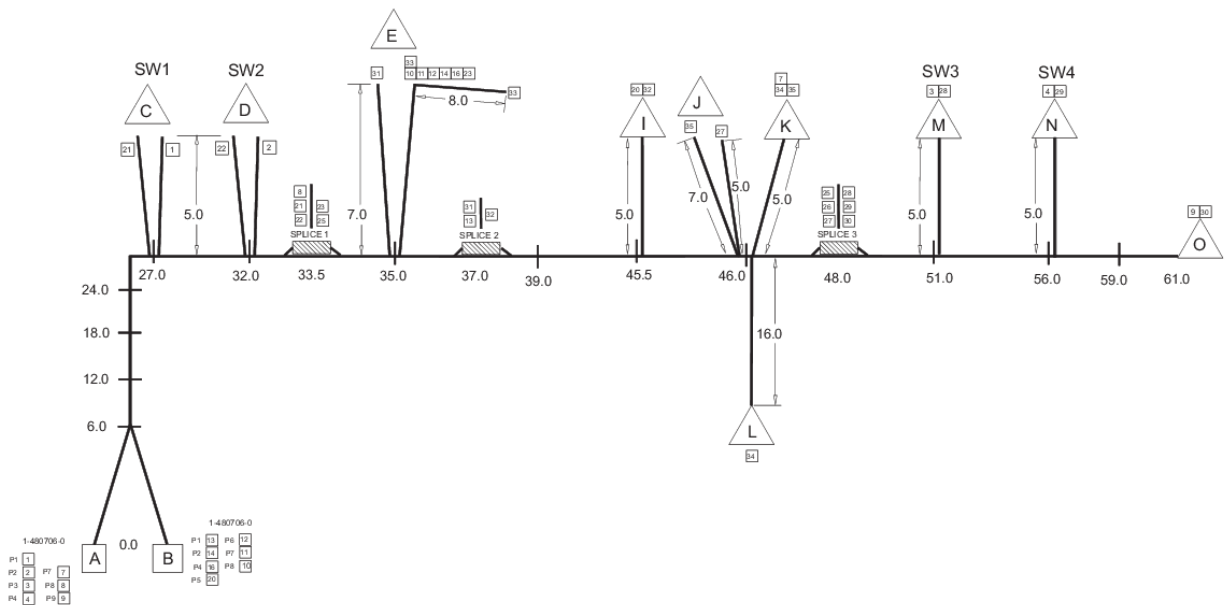




Item	Part No.	Name	Qty	Uom	NOTES
Not Shown	C9002597EP	O/S BODY PANEL-RH *EP* (VDSC)	1	EA	NO LONGER AVAILABLE
Not Shown	C9002597FG	BODY PNL RH FG REPL C9001921FG	1	EA	NO LONGER AVAILABLE, Not available online / Call for pricing and availability
Not Shown	C9002597GG	BODY PNL RH GG REPL C9001921GG	1	EA	Not available online / Call for pricing and availability
Not Shown	C9002597LE	O/S BODY PANEL-RH *LE* (VDSC)	1	EA	
Not Shown	C9002597MJ	O/S BODY PANEL-RH *MJ* (VDSC)	1	EA	NO LONGER AVAILABLE
Not Shown	C9002597SG	O/S BODY PANEL-RH *SG* (VDSC)	1	EA	NO LONGER AVAILABLE, Not available online / Call for pricing and availability
Not Shown	C9002597VB	BODY PNL RH VB REPL C9001921VB	1	EA	
Not Shown	C9002597WH	BODY PNL RH WH REPL C9001921WH	1	EA	
15	A2002475	SIDE PANEL DIVERTER (VDSC)	1	EA	NO LONGER AVAILABLE
16	A2002183	HINGE INSULATION COVER (VDSC)	1	EA	
17	PC020126	HINGE ASSEMBLY	1	EA	
18	PD020014	10X3/4 PH TR HD SMS	1	EA	
19	PD010003	10-24 X 1/2 PH.TR.HD.SERD.M.S.	1	EA	
20	PJ010006	BAKE ELEMENT (VDSC-36) 240V	1	EA	
21	G9102750	CONVECTION FAN COVER ASSY (VDSC36)	1	EA	NO LONGER AVAILABLE
22	E9107933	BROILER PAN	1	EA	
23	PB060030	RACK SUPT REPL PB060010	1	EA	
24	PB060045	OVEN RK VDSC36 REPL PB060020	1	EA	
25	E9107934	BROILER PAN INSERT - NLA	1	EA	

PE070809 IGNITER SWITCH HARNESS

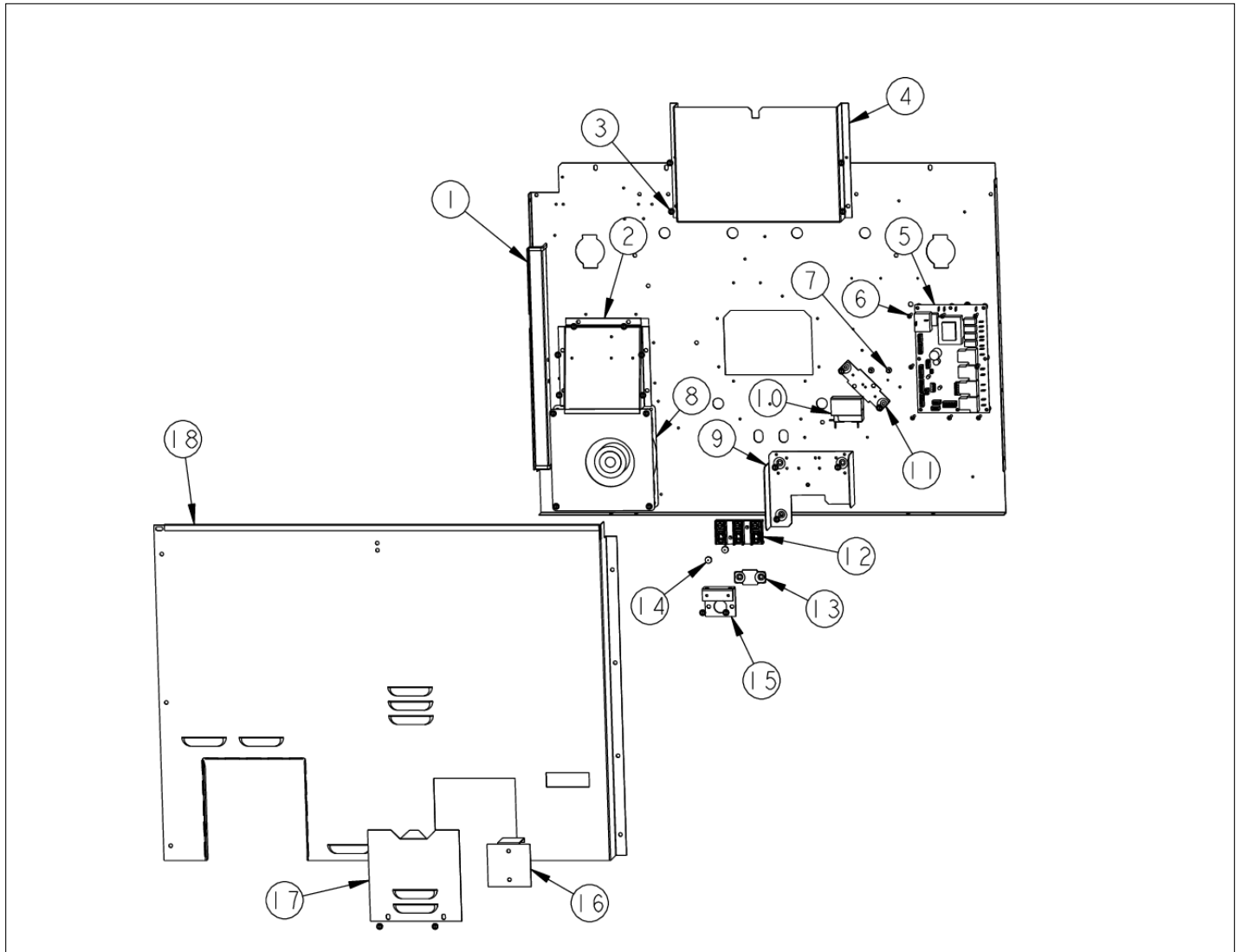
1





Item	Part No.	Name	Qty	Uom	NOTES
1	PE070809	4G HARNESS	1	EA	

REAR UNIT AREA

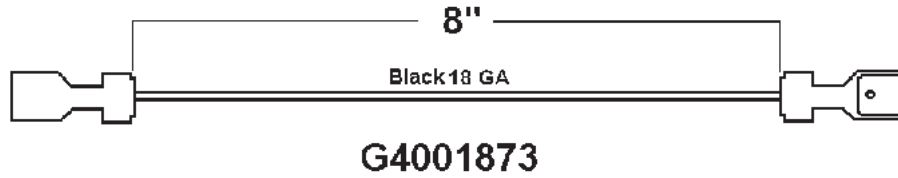




Item	Part No.	Name	Qty	Uom	NOTES
1	A2000210	WIRE CHANNEL	1	EA	NO LONGER AVAILABLE, Not available online / Call for pricing and availability
2	A2002180	COOLING FAN HOUSING (VDSC)	1	EA	NO LONGER AVAILABLE
3	PD020003	#10 X 1/2 T(A) HEX WASHER HEAD	1	EA	
4	A2002790	AIR FLUE (LARGE-BACK) VDSC365)	1	EA	NO LONGER AVAILABLE
5	PE070786	ELECTRONIC CONTROL BOARD	1	EA	
6	PD020185	Screw, 6 X 1" Pan Head	1	EA	
7	PD020044	#8-32 X 1/4" PH. TR. HD. M.S.	1	EA	
8	PE050026	COOLING FAN (VDSC)	1	EA	
9	A2002193	ELECTRICAL MOUNTING BRKT (VDSC)	1	EA	NO LONGER AVAILABLE
10	PJ030002	AUTO RESET (SELF-CLEAN) VDSC	1	EA	
11	A1002456	THERMO-DISC BRKT (VDSC)	1	EA	
12	PE070147	TERMINAL BLOCK (VDSC)	1	EA	
13	A1002457	POWER CORD MOUNTING STRAP (VDSC)	1	EA	
14	PD020014	10X3/4 PH TR HD SMS	1	EA	
15	A2002195	POWER CORD MOUNTING BRKT (VDSC)	1	EA	
16	A2002654	ANTI-TIP DEVICE (VDSC)	1	EA	
17	A2002454	BACK, COVER ACCESS DOOR	1	EA	
18	A20015483	VDSC36 OVEN BACK	1	EA	NO LONGER AVAILABLE, Not available online / Call for pricing and availability

SINGLE WIRING 1

1

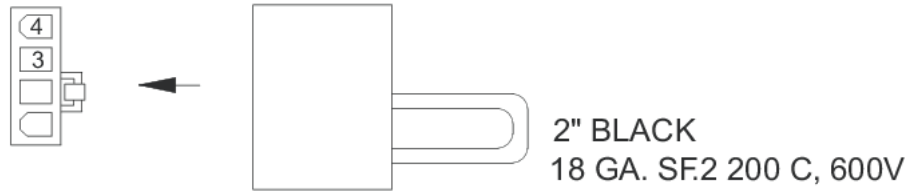


2



3

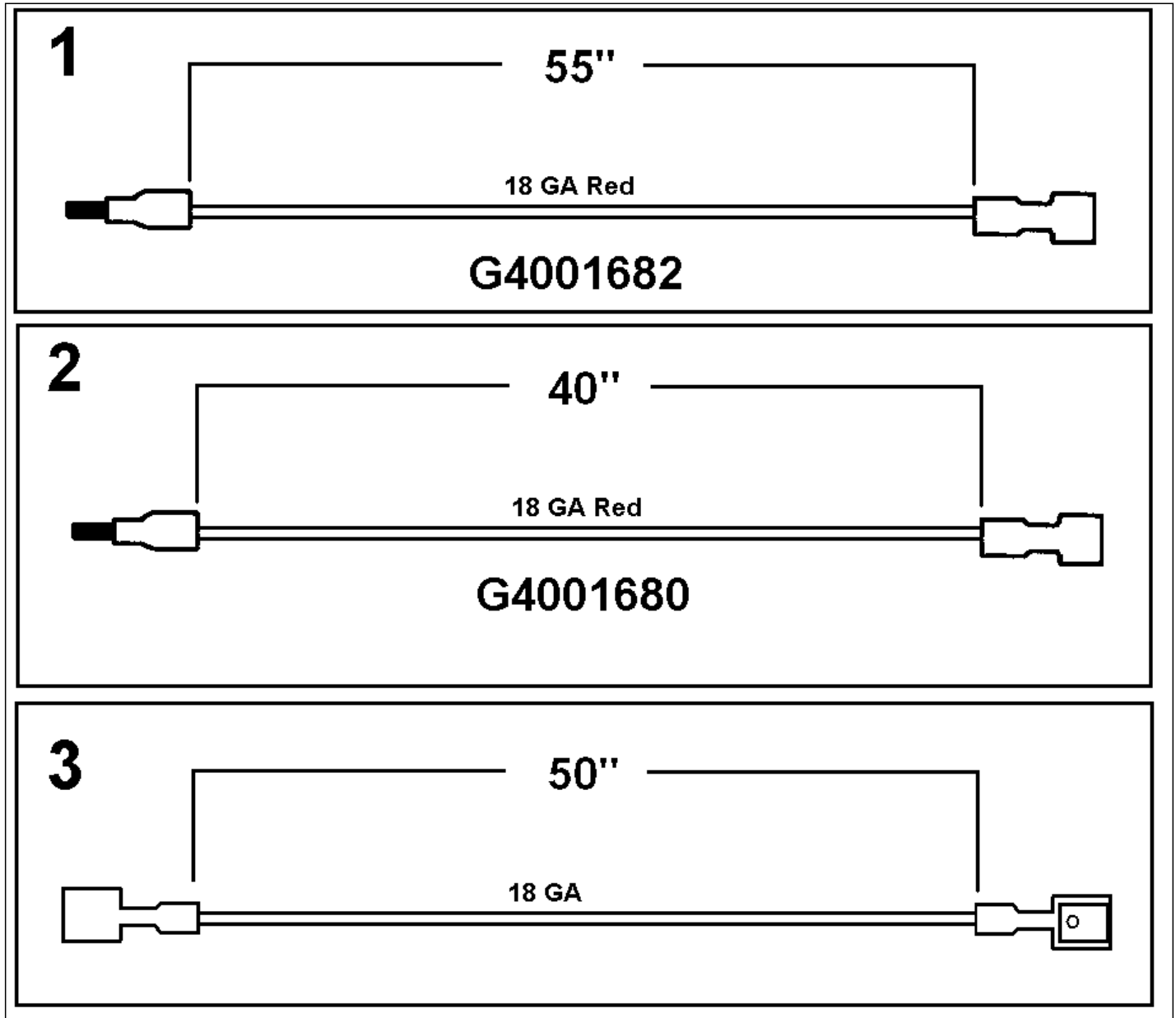
- 1 -
- 2 -
- 3 - BLACK
- 4 - BLACK





Item	Part No.	Name	Qty	Uom	NOTES
1	G4001873	WIRE HARNESS (8") (VGRC60)	1	EA	
2	G4001572	GROUND WIRE (SPARK MODULE)	1	EA	NO LONGER AVAILABLE
3	PE070624	SINGLE PREHEAT JUMPER	1	EA	NO LONGER AVAILABLE

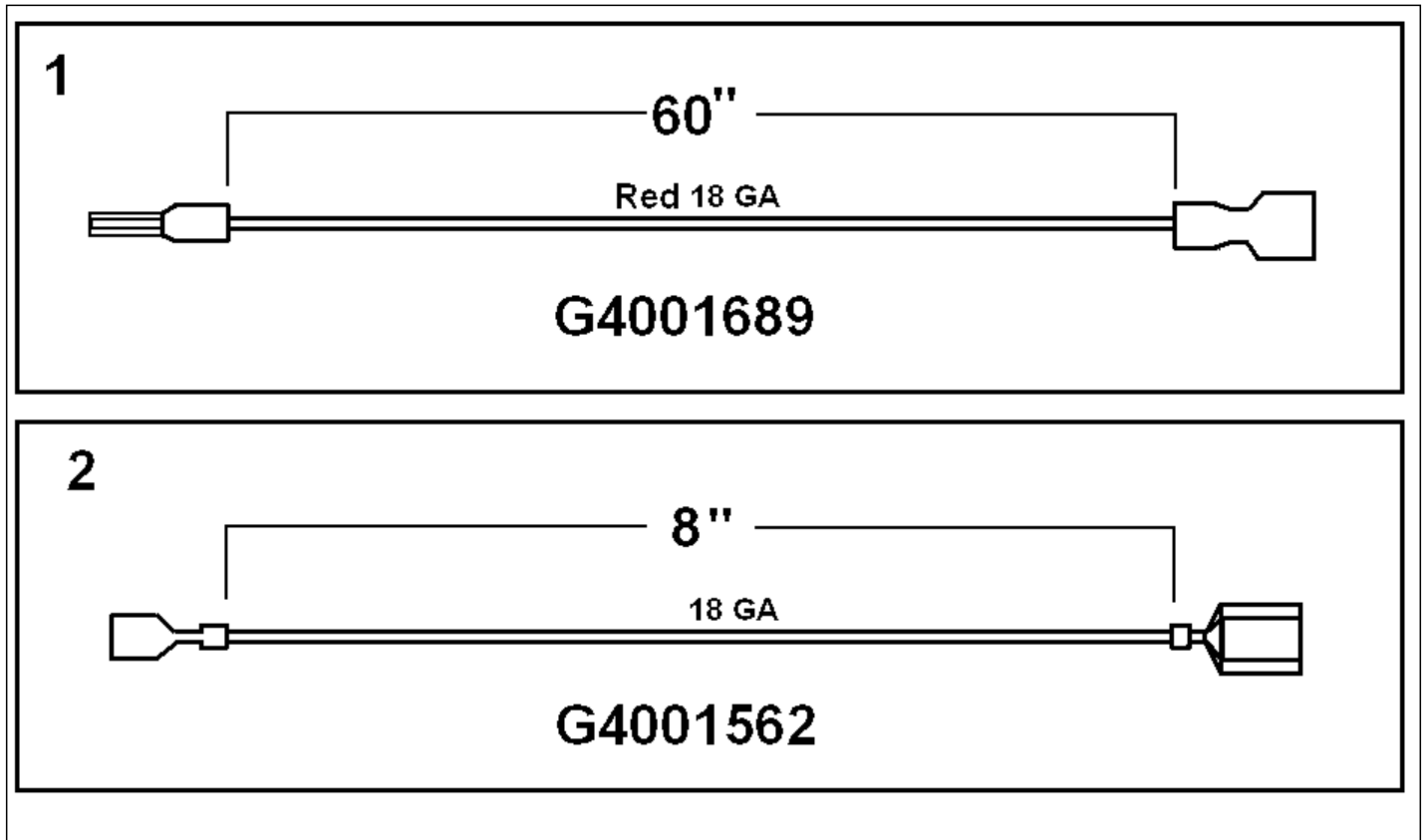
SINGLE WIRING 2





Item	Part No.	Name	Qty	Uom	NOTES
1	G4001682	WIRE ASSY *AL* 55"	1	EA	
2	G4001680	WIRE, SPRK MDLE-TOP BRNR VLVE SWITCH (40)	1	EA	
3	G4002817	SPARK MOD WIRE-NEUTRAL (DF4Q/6B)	1	EA	NO LONGER AVAILABLE

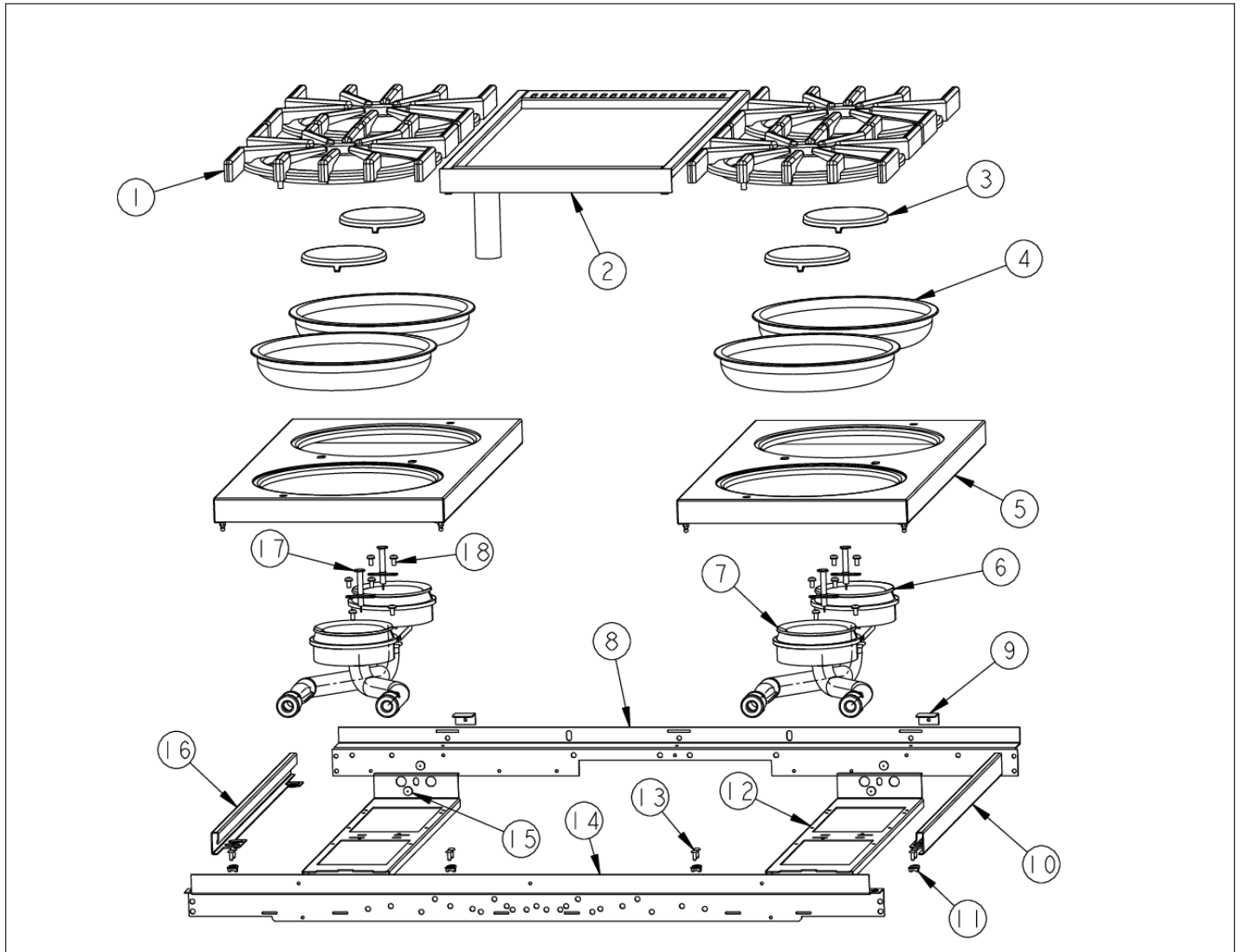
SINGLE WIRING 3





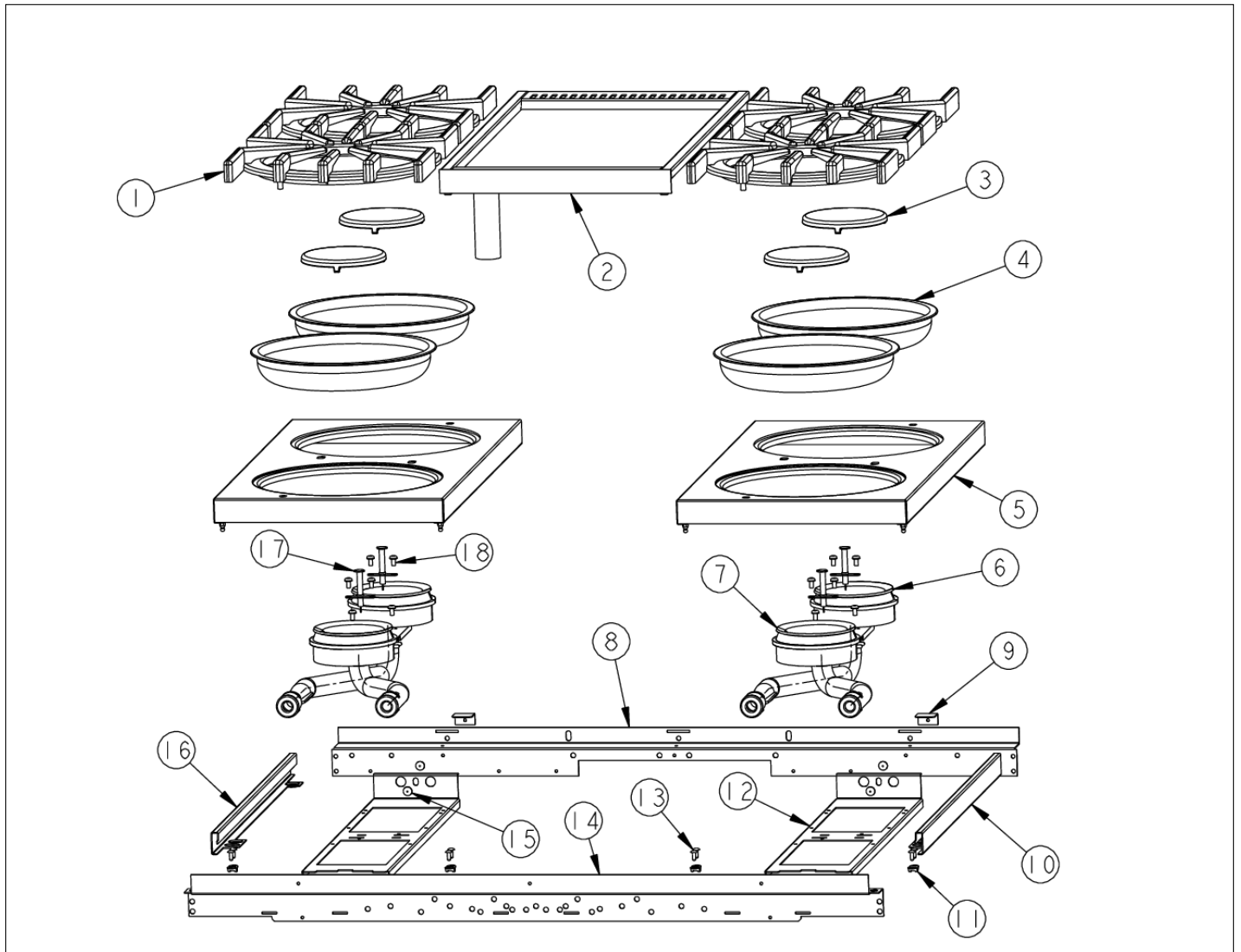
Item	Part No.	Name	Qty	Uom	NOTES
1	G4001689	WIRE, SPRK MDLE-TOP BRNR VLVE SWITCH (60)	1	EA	
2	G4001562	DUAL SAFETY VALVE - JUMPER (10")	1	EA	

SURFACE COOKING AREA



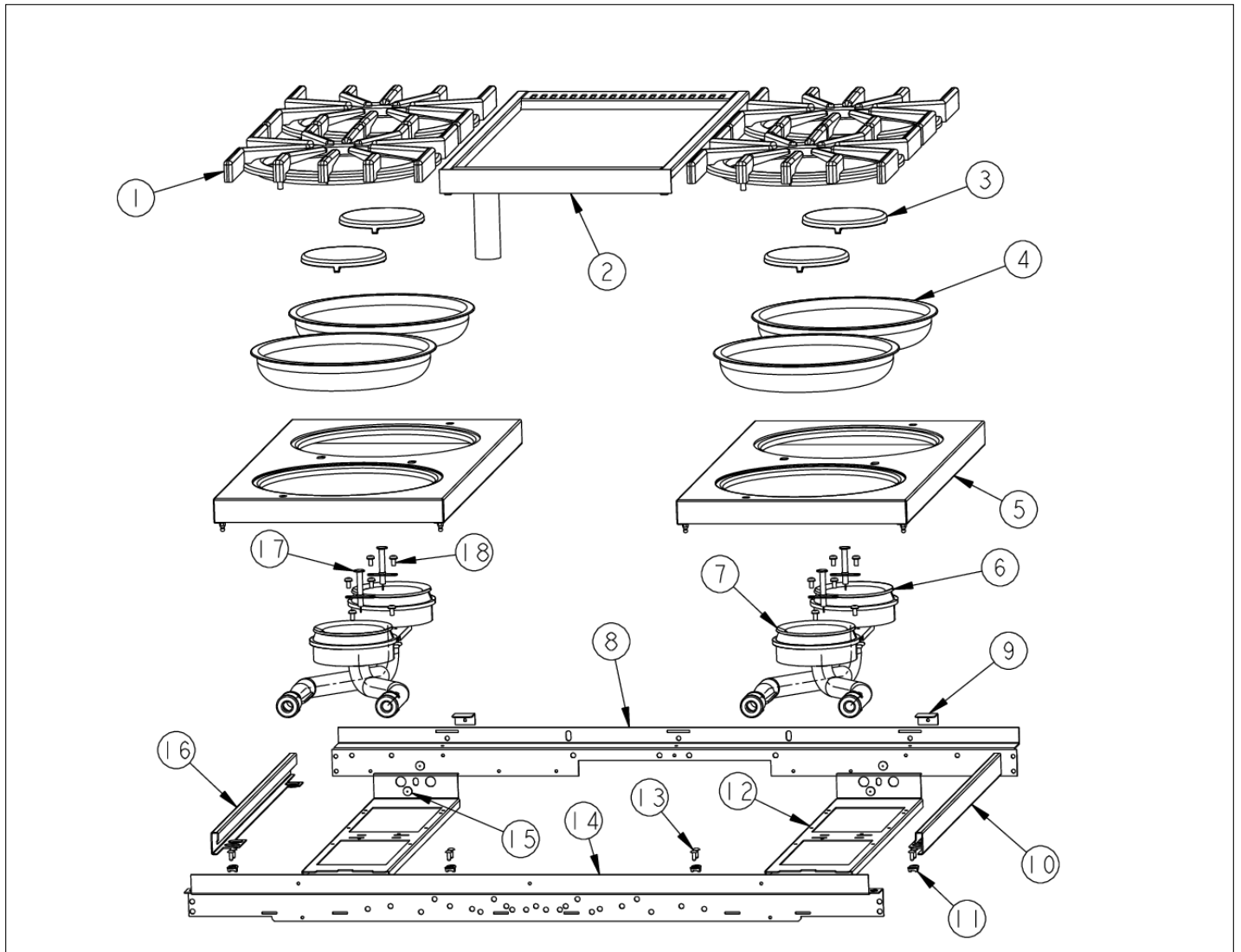


Item	Part No.	Name	Qty	Uom	NOTES
1	PA060037	GRATE BK REPL PA060024 (GEN.#2)	1	EA	
Not Shown	PA060038	GRAY GRATES	1	EA	
2	003210-000	12 OPEN GRIDDLE FRAME WELD ASSY	1	EA	
3	PA080015	BURNER CAP-VGRT *BK*	1	EA	
Not Shown	PA080016	BURNER CAP-VGRT (GRAY-MATT)	1	EA	
4	PA030002AL	BURNER BOWL - AL (FOR USE WITH UPGRADE KIT) NLA	1	EA	
Not Shown	PA030002BK	BURNER BOWL (VGRT) **BK**	1	EA	
Not Shown	PA030002BT	BURNER BOWL - BT NLA	1	EA	
Not Shown	PA030002CB	BURNER BOWL - CB NLA	1	EA	
Not Shown	PA030002EP	BURNER BOWL - EP NLA	1	EA	
Not Shown	PA030002FG	BURNER BOWL - FG (FOR USE WITH UPGRADE KIT) NLA	1	EA	
Not Shown	PA030002GG	BURNER BOWL - GG NLA	1	EA	
Not Shown	PA030002LE	BURNER BOWL - LE NLA	1	EA	
Not Shown	PA030002MJ	BURNER BOWL (VGRT) **MJ** NLA	1	EA	
Not Shown	PA030002SG	BURNER BOWL - SG NLA	1	EA	
Not Shown	PA030002VB	BURNER BOWL (VGRT) **VB** NLA	1	EA	
Not Shown	PA030002WH	BURNER BOWL (VGRT) **WH**	1	EA	
5	G50013584AL	GRATE SUPPORT - AL	1	EA	
Not Shown	G50013584BK	GRATE SUPPORT SERVICE KIT (BK)	1	EA	
Not Shown	G50013584BT	GRATE SUPPORT SERVICE KIT (BT) - NLA	1	EA	NO LONGER AVAILABLE
Not Shown	G50013584CB	GRATE SUPPORT ASSEMBLY - CB	1	EA	Not available online / Call for pricing and availability





Item	Part No.	Name	Qty	Uom	NOTES
Not Shown	G50013584EP	GRATE SUPPORT ASSEMBLY - EP	1	EA	Not available online / Call for pricing and availability
Not Shown	G50013584FG	GRATE SUPPORT - FG	1	EA	Not available online / Call for pricing and availability
Not Shown	G50013584GG	GRATE SUPPORT ASSEMBLY - GG	1	EA	
Not Shown	G50013584LE	GRATE SUPPORT ASSEMBLY - LE	1	EA	Not available online / Call for pricing and availability
Not Shown	G50013584MJ	GRATE SUPPORT ASSEMBLY - MJ	1	EA	Not available online / Call for pricing and availability
Not Shown	G50013584SG	GRATE SUPPORT ASSEMBLY - SG	1	EA	Not available online / Call for pricing and availability
Not Shown	G50013584VB	GRATE SUPPORT - VB	1	EA	
Not Shown	G50013584WH	GRATE SUPPORT SERVICE KIT (WH)	1	EA	
6	PA080036	TOP BURNER REAR REPL PA080008	1	EA	
7	PA080037	TOP BURNER FRONT REPL PA080007	1	EA	
8	A2002382	REAR BURNER SUPT (VGSS36)	1	EA	
9	A2001147	GRATE SUPT ANGLE (VGRT)	1	EA	
10	B2002345	SIDE TRIM - RH (VGSS)	1	EA	
Not Shown	C9202345BR	SIDE TRIM - RH (BR)	1	EA	Not available online / Call for pricing and availability
11	PD010016	BALL STUD FASTEN	1	EA	
12	A2001112	BURNER SUPT (VGRT)	1	EA	
13	PC040010	POP RIVET (.063/GR -.125) GAMD42-A	1	EA	
14	A2001105	FRONT SUPT (36")	1	EA	Not available online / Call for pricing and availability
15	PD020002	10 X 1/2 PH.TR.HD.SMS.	1	EA	



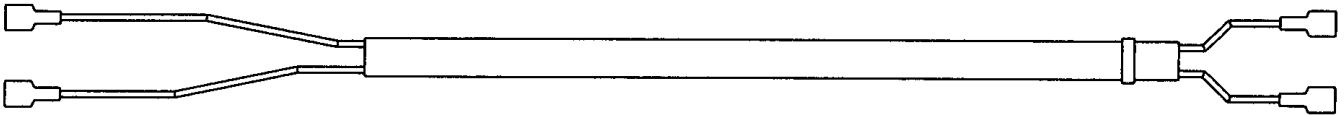


Item	Part No.	Name	Qty	Uom	NOTES
16	B2002346	SIDE TRIM - LH (VGSS)	1	EA	
Not Shown	C9302346BR	SIDE TRIM - LH (VGSS) *BR*	1	EA	Not available online / Call for pricing and availability
17	PA020028	SPARK IGNITER	1	EA	
18	PD020004	10X3/8PH.HD.TYPE 25 REPL PD040125	1	EA	

TOP BURNER IGNITER WIRE KIT

1

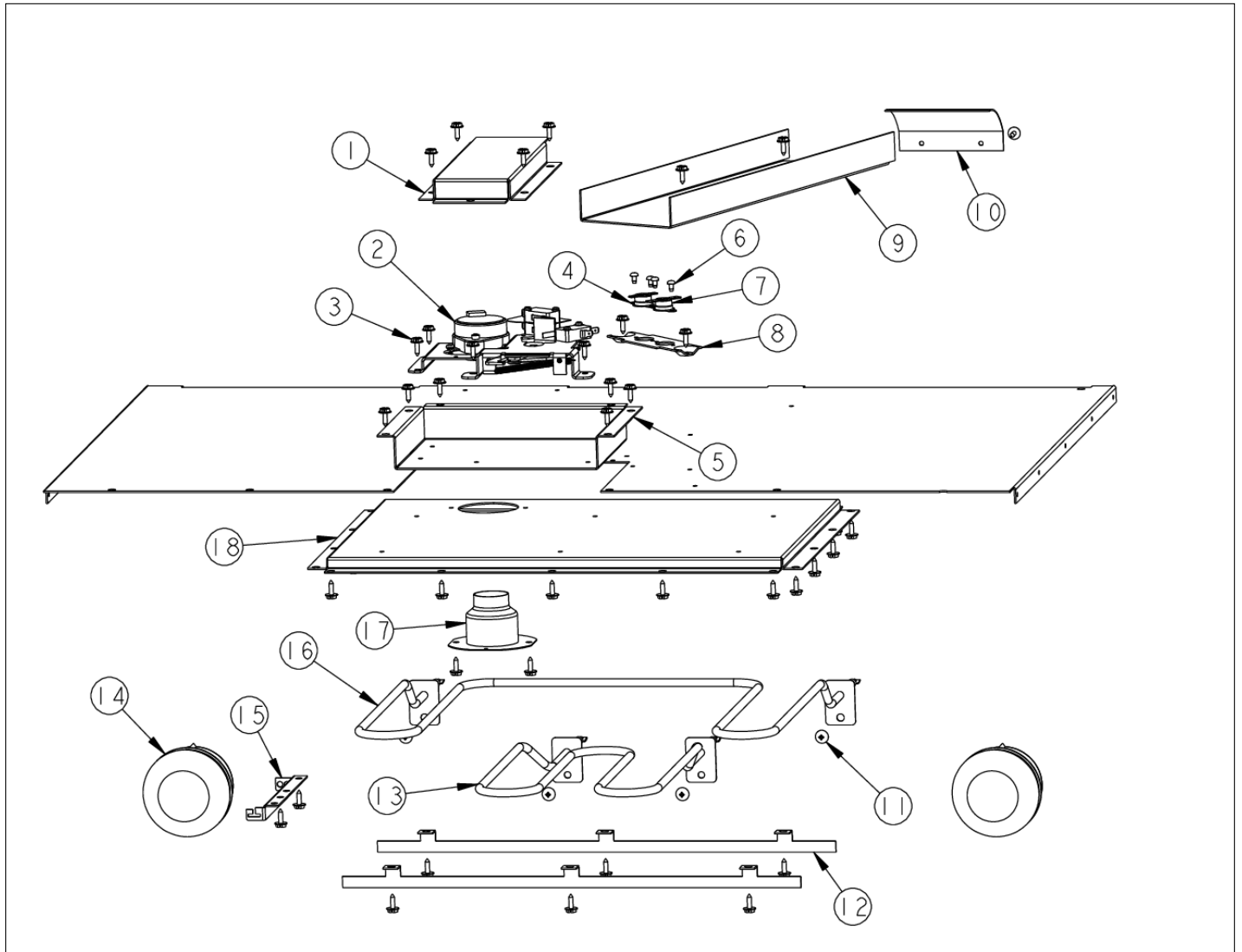
NOTE: EACH "KIT" WILL CONTAIN SEVERAL SETS OF IGNITOR WIRES (AS SHOWN BELOW). THESE SHOULD BE BUNDLED TOGETHER WITH TAPE & LABELED WITH THE KIT PURC. # , AND THE MODEL USAGE #.





Item	Part No.	Name	Qty	Uom	NOTES
1	PE070718	IGNITOR WIRE KIT - VDSC3674G	1	EA	

UPPER OVEN CAVITY

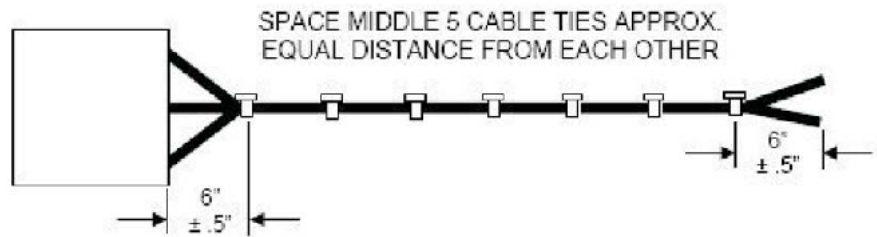
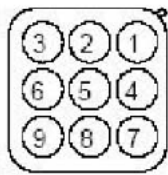




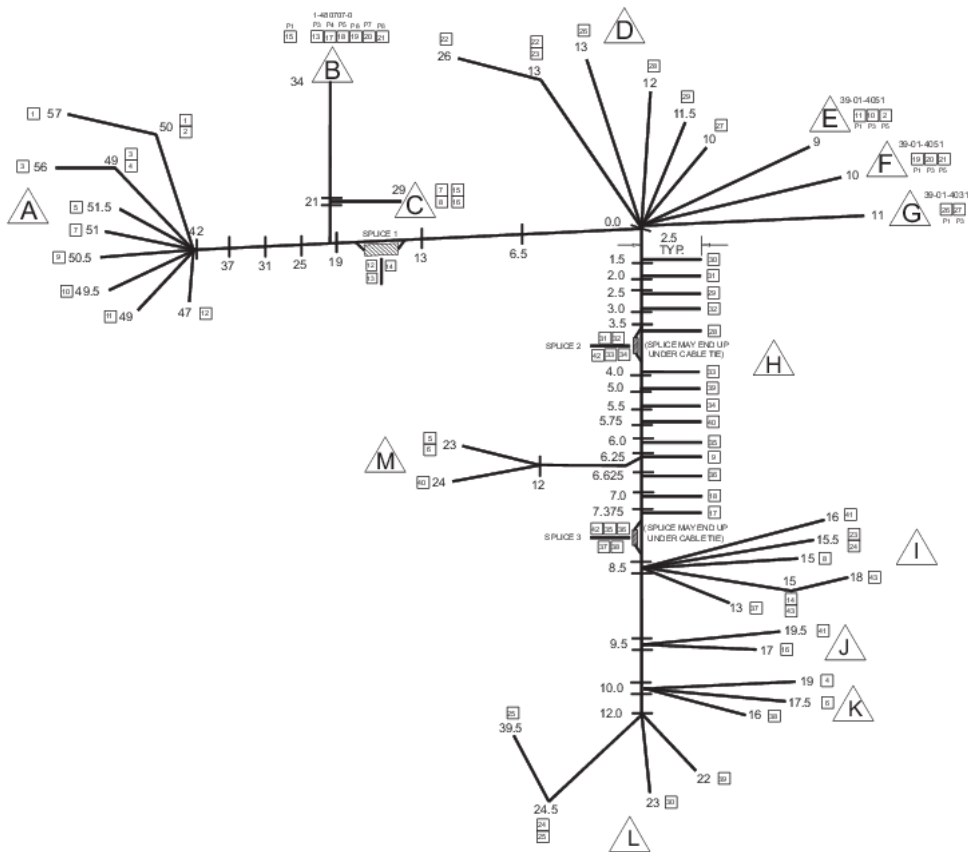
Item	Part No.	Name	Qty	Uom	NOTES
1	A2002479	SMOKE ELIMINATOR VENT (VDSC)	1	EA	
2	PE050053	DR LATCH REPL PE050020	1	EA	
3	PD020003	#10 X 1/2 T(A) HEX WASHER HEAD	1	EA	
4	PJ030006	SWITCH (COOLING FAN)	1	EA	
5	A2002168	DOOR LATCH BRKT (VDSC)	1	EA	
6	PD020006	' #6-32 X 1/4" PH.PAN HD. T(F)	1	EA	
7	PJ030005	SWITCH (HIGH-LIMIT) VDSC	1	EA	
8	A10014918	THERMODISC BRACKET	1	EA	Not available online / Call for pricing and availability
9	A2002450	LATCH COOLING DUCT (VDSC)	1	EA	NO LONGER AVAILABLE, Not available online / Call for pricing and availability
10	A2002478	AIR SCOOP (VDSC)	1	EA	NO LONGER AVAILABLE, Not available online / Call for pricing and availability
11	PD010003	10-24 X 1/2 PH.TR.HD.SERD.M.S.	1	EA	
12	B20012072	BROILER ELEMENT BRACKET	1	EA	NO LONGER AVAILABLE
13	PJ010001	BROIL ELEMENT 240V	1	EA	
14	031449-000	LAMP, ASM	1	EA	
15	B20012039	THERMAL BULB BRACKET	1	EA	Not available online / Call for pricing and availability
16	PJ010002	BROIL ELEMENT(MAXI)-SIDE (VDSC)240V	1	EA	
17	PM010014	SMOKE ELIMINATOR (VDSC)	1	EA	
18	B20010312	30" BROILER DEFLECTOR	1	EA	NO LONGER AVAILABLE

WIRING HARNESSES 1

1 WIRE INSERTION VIEW

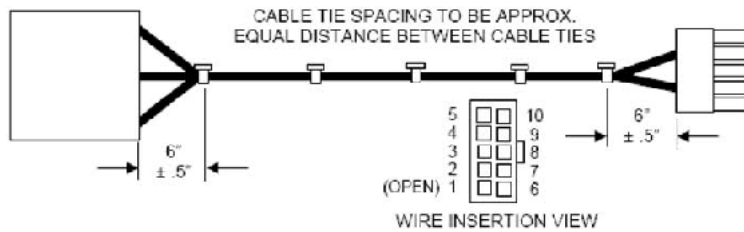
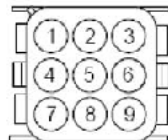


2



3

WIRE INSERTION VIEW

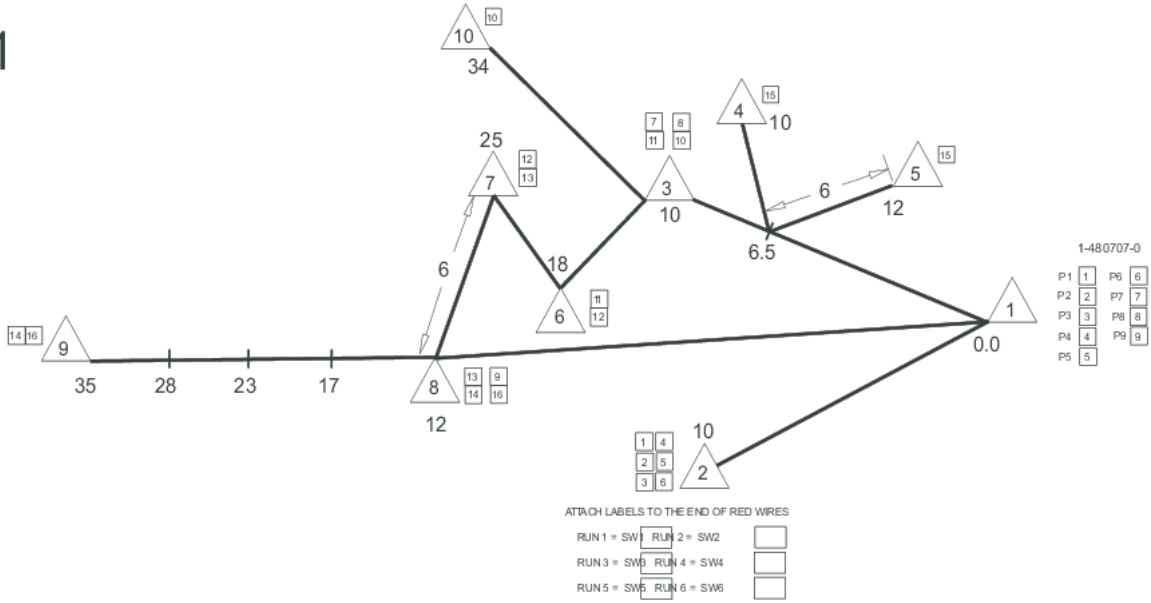




Item	Part No.	Name	Qty	Uom	NOTES
1	PE070779	RH 8 POS SELECTOR HARNESS	1	EA	
2	PE070781	RH MAIN OVEN HARNESS	1	EA	
3	PE070780	RH REAR SELECTOR HARNESS	1	EA	

WIRING HARNESSES 2

1



2





Item	Part No.	Name	Qty	Uom	NOTES
1	PE070783	6 POSITION SPARK MOD HARNESS	1	EA	
2	G4002816	GRIDDLE NEUTRAL HARNESS (D/F)	1	EA	NO LONGER AVAILABLE



Appendix A:Pages Index

BURNER BOX INTERIOR 1
CONTROL AREA 2
DOOR ASSEMBLY 3
DRIP TRAY 4
G4002813 WIRING HARNESS - LINE 5
GRIDDLE SUBASSEMBLY 6
LOWER UNIT AREA 7
MAIN OVEN CAVITY 8
PE070809 IGNITER SWITCH HARNESS 9
REAR UNIT AREA 10
SINGLE WIRING 1 11
SINGLE WIRING 2 12
SINGLE WIRING 3 13
SURFACE COOKING AREA 14
TOP BURNER IGNITER WIRE KIT 15
UPPER OVEN CAVITY 16
WIRING HARNESSES 1 17
WIRING HARNESSES 2 18



Appendix B:Parts Index

A2002382	14
A2002450	16
A2002454	10
A2002475	8
A2002478	16
A2002479	16
A2002490	1
A2002491	1
A2002497	3
A2002498	3
A2002499	3
A2002595	8
A2002654	10
A2002790	10
A2002800	3
A2002809	1
A2004295	7
A2007943	3
A2008440	8
B20010312	16
B20012039	16
B20012072	16
B2001504	7
B2002345	14
B2002346	14
B2002597	8
B2002598	8
B2002798	3
B92010438	2
C9001504AL	7
C9001504BK	7
C9001504BT	7
C9001504BU	7
C9001504CB	7
C9001504EP	7
C9001504FG	7
C9001504GG	7
C9001504LE	7
C9001504MJ	7
C9001504SG	7
C9001504VB	7
000268-000	3
000594-000	3
000623-000	3
002158-000	2
003210-000	14
003515-000	2
007147-000	2, 6
031449-000	16
050172-000	2
A1001138	2
A1001198	6
A10014918	16
A1001636	6
A1002456	10
A1002457	10
A1002596	8
A1006344	1
A2000210	1, 10
A2000667	1
A20010692	4
A2001105	14
A2001112	14
A20011246	1
A2001147	14
A2001148	6
A2001300	6
A20015483	10
A20016220	1
A2001630	6
A2001881	6
A2002001	6
A2002155	8
A2002156	8
A2002168	16
A2002180	10
A2002183	8
A2002189	3
A2002193	10
A2002195	10
A2002367	3



C9001504WH	7	C9302346BR	14
C9002597AL	8	E9107933	8
C9002597BK	8	E9107934	8
C9002597BT	8	G30010455	4
C9002597BU	8	G30010696	4
C9002597CB	8	G3001585	2
C9002597EP	8	G3202805AL	3
C9002597FG	8	G3202805ALBR	3
C9002597GG	8	G3202805BK	3
C9002597LE	8	G3202805BKBR	3
C9002597MJ	8	G3202805BT	3
C9002597SG	8	G3202805BTBR	3
C9002597VB	8	G3202805BU	3
C9002597WH	8	G3202805BUBR	3
C9002598AL	8	G3202805CB	3
C9002598BK	8	G3202805CBBR	3
C9002598BT	8	G3202805EP	3
C9002598BU	8	G3202805EPBR	3
C9002598CB	8	G3202805FG	3
C9002598EP	8	G3202805FGBR	3
C9002598FG	8	G3202805GG	3
C9002598GG	8	G3202805GGBR	3
C9002598LE	8	G3202805LE	3
C9002598MJ	8	G3202805LEBR	3
C9002598SG	8	G3202805MJ	3
C9002598VB	8	G3202805MJBR	3
C9002598WH	8	G3202805SG	3
C9002798AL	3	G3202805SGBR	3
C9002798BK	3	G3202805VB	3
C9002798BT	3	G3202805VBRR	3
C9002798BU	3	G3202805WH	3
C9002798CB	3	G3209181SS	3
C9002798EP	3	G3209181SSBR	3
C9002798FG	3	G4001562	13
C9002798GG	3	G4001572	11
C9002798LE	3	G4001680	12
C9002798MJ	3	G4001682	12
C9002798SG	3	G4001689	13
C9002798VB	3	G4001873	11
C9002798WH	3	G4002813	5
C9202345BR	14	G4002816	18



G4002817	12	PA080016	14
G50013584AL	14	PA080036	14
G50013584BK	14	PA080037	14
G50013584BT	14	PB010004	6
G50013584CB	14	PB010103	2
G50013584EP	14	PB010104	2
G50013584FG	14	PB010129	2
G50013584GG	14	PB010130	2
G50013584LE	14	PB010206	2
G50013584MJ	14	PB010207	2
G50013584SG	14	PB010209	2
G50013584VB	14	PB010230	2
G50013584WH	14	PB010231	2
G9102744	8	PB010264	2
G9102746	3	PB020116	6
G9102748	3	PB040001	6
G9102750	8	PB050077	6
G93011459PVD	4	PB060030	8
J1002799	3	PB060045	8
J2002593	1	PB070208	8
J2101749	4	PB070268	1
PA010012	2	PC020126	8
PA020028	14	PC030017	7
PA020045	2	PC040010	4, 14
PA020047	1	PD010003	1, 2, 8, 16
PA030002AL	14	PD010012	2
PA030002BK	14	PD010016	14
PA030002BT	14	PD010019	3
PA030002CB	14	PD020002	1, 2, 3, 6, 8, 14
PA030002EP	14	PD020003	1, 7, 8, 10, 16
PA030002FG	14	PD020004	1, 6, 14
PA030002GG	14	PD020006	2, 16
PA030002LE	14	PD020010	1
PA030002MJ	14	PD020014	3, 8, 10
PA030002SG	14	PD020032	3, 7
PA030002VB	14	PD020033	2
PA030002WH	14	PD020044	10
PA060037	14	PD020046	2
PA060038	14	PD020049	4
PA070003	2	PD020185	10
PA080015	14	PD030005	2



PD030006	3	PK000008	4
PD030012	6	PM010014	16
PD030109	8	PS500033	2
PD040004	4		
PD040028	4		
PE010030	3		
PE010031	3		
PE010068	3		
PE010076	3		
PE030001PVD	3		
PE030006	3		
PE030013PVD	3		
PE050005	8		
PE050016	2		
PE050017	2		
PE050023	2		
PE050024	2		
PE050026	10		
PE050053	16		
PE060030	3		
PE060031	3		
PE060045	3		
PE060064	3		
PE070147	10		
PE070624	11		
PE070718	15		
PE070779	17		
PE070780	17		
PE070781	17		
PE070783	18		
PE070786	10		
PE070809	9		
PJ010001	16		
PJ010002	16		
PJ010003	8		
PJ010006	8		
PJ030001	2		
PJ030002	10		
PJ030005	16		
PJ030006	16		
PK000007	4		