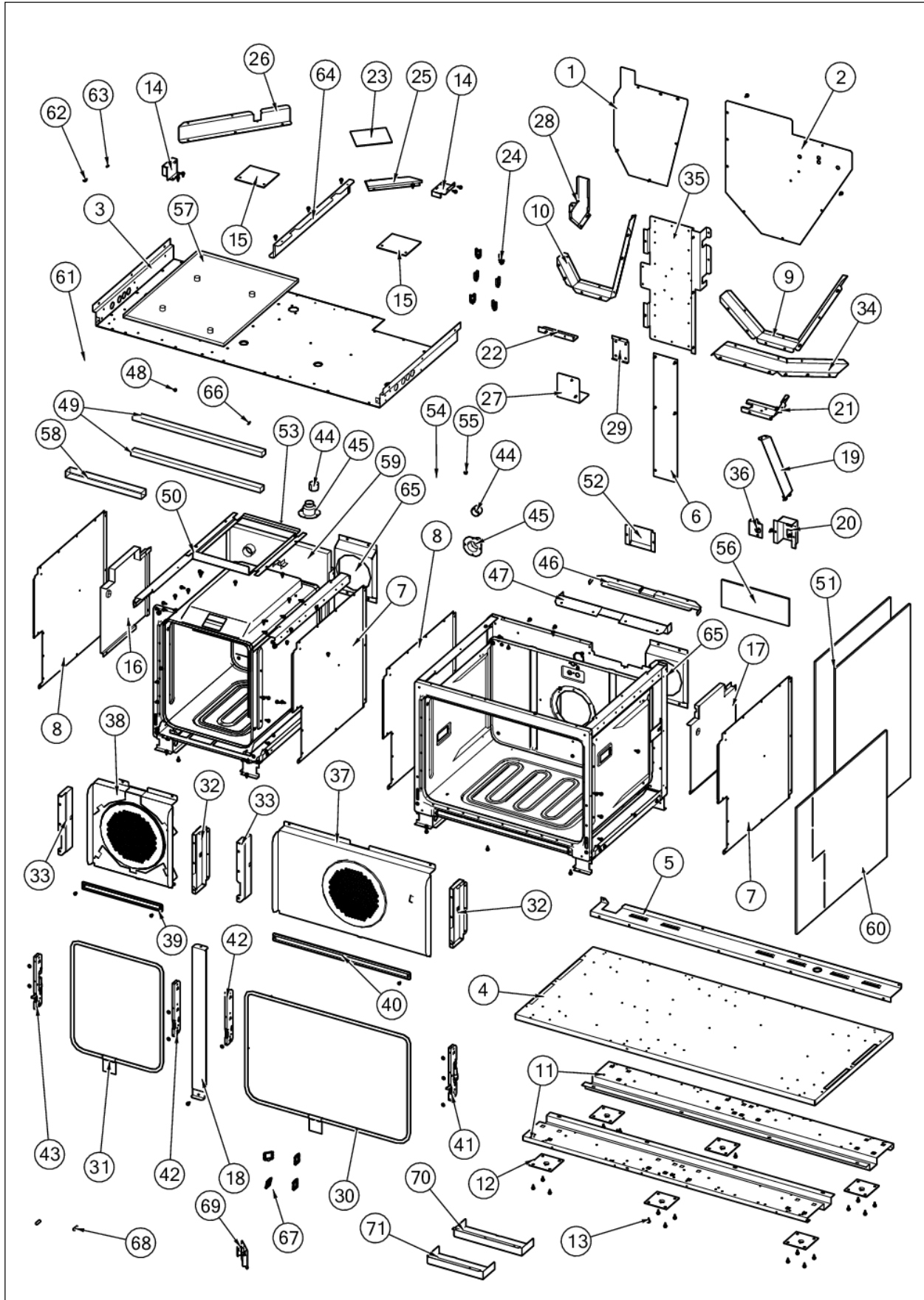


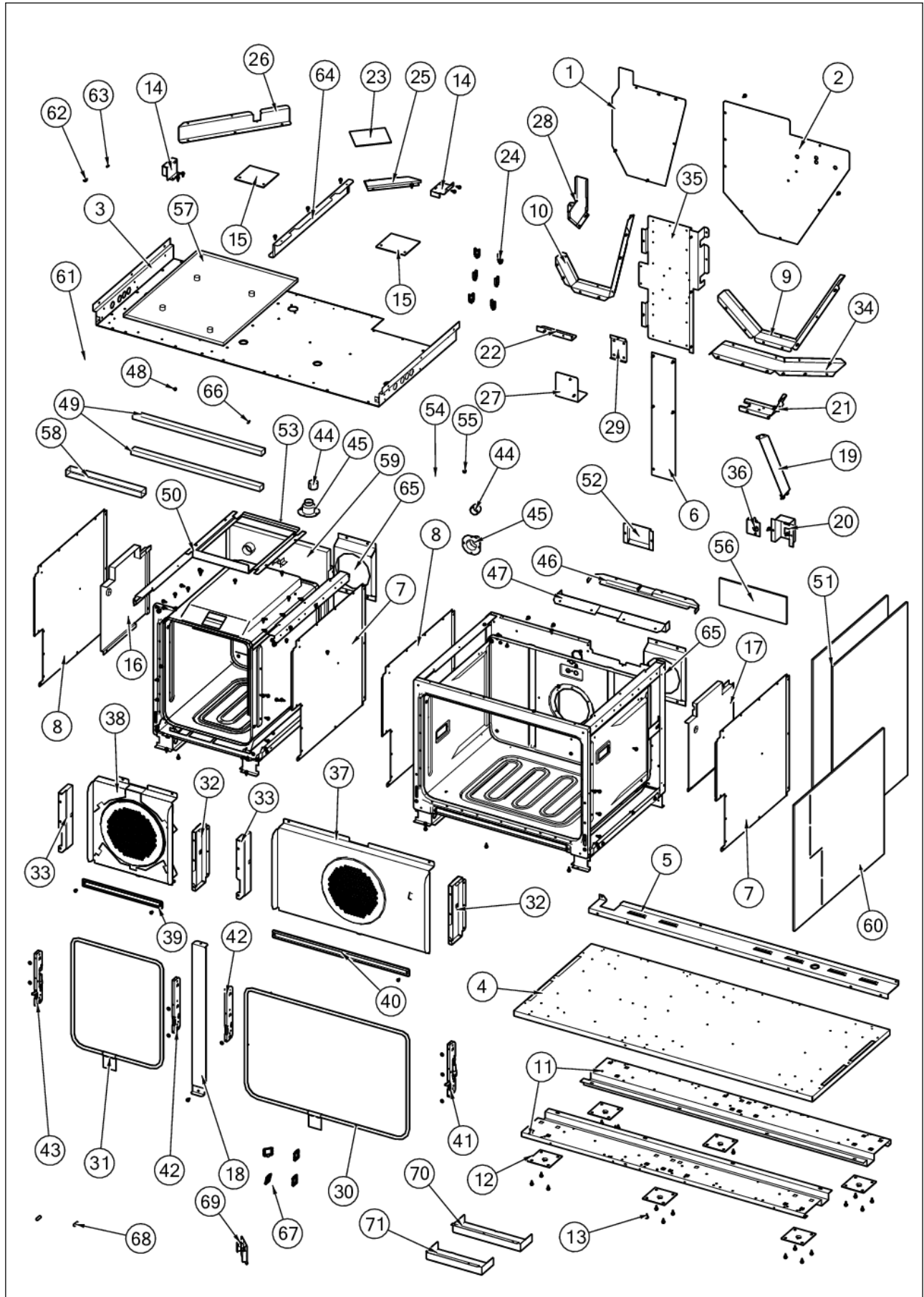
VDR748-6G

BASE	1
CONTROL	2
DECOR	3
ELECTRICAL - 1	4
ELECTRICAL - 2	5
ELECTRICAL - 3	6
GAS	7
LH DOOR	8
RH DOOR	9
SURFACE	10
Appendix A:Pages Index	A
Appendix B:Parts Index	B

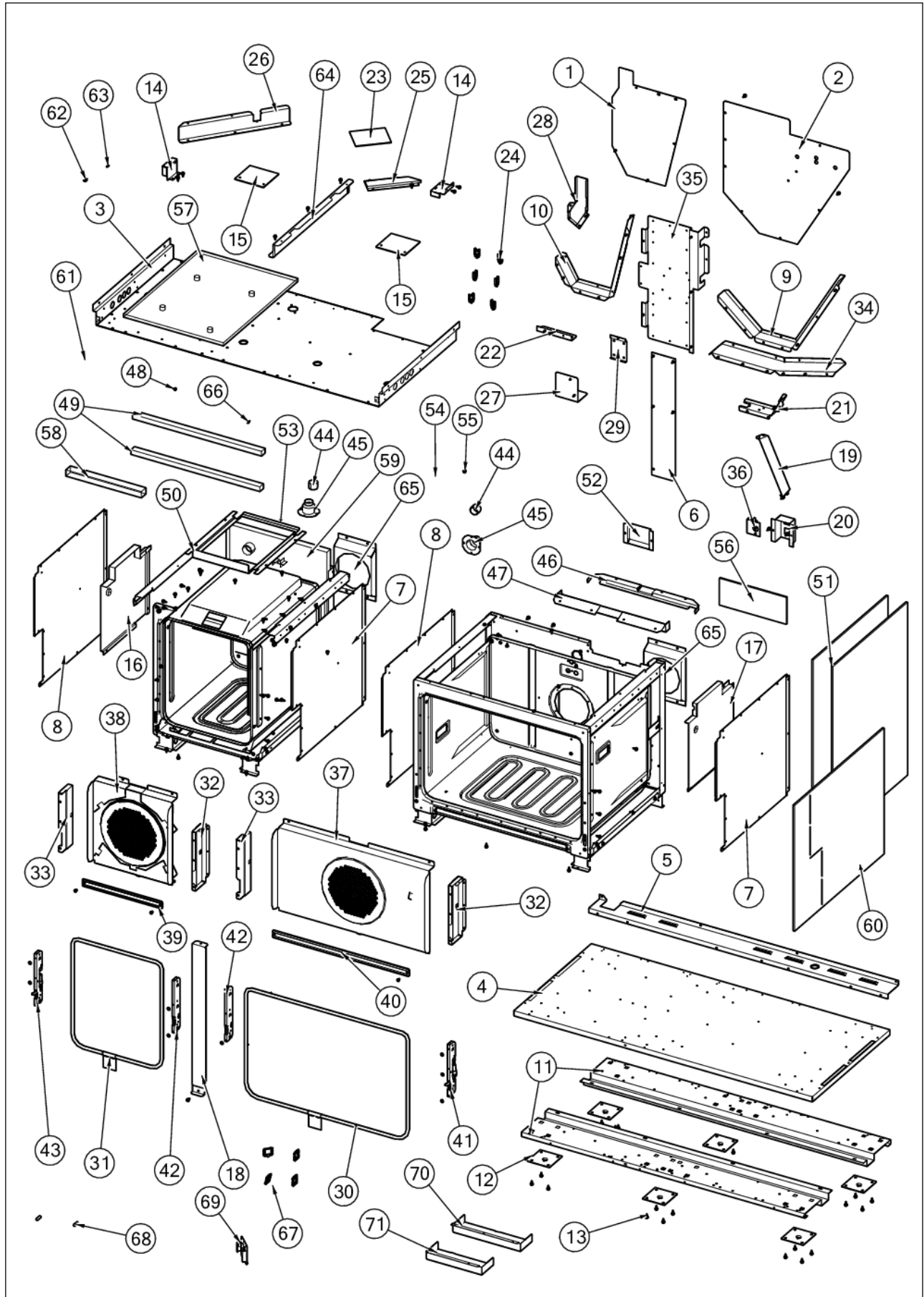
BASE



Item	Part No.	Name	Qty	Uom	NOTES
1	047813-000	PANEL, CVR, LH	1	EA	
2	047812-000	PANEL, CVR, RH	1	EA	
3	043765-000	PANEL, INSL, 48" TOP DF	1	EA	
4	043907-000	BASE, BOT, 48" GAS	1	EA	
5	043864-000	RANGE, BASE, BACK, DF	1	EA	
6	044862-000	BRKT, REAR, CAVITY, INTL	1	EA	
7	048194-000	RETAINER, INSULATION, WRAPPER, RH	2	EA	
8	048200-000	RETAINER, WRAPPER, INSULATION, LH	2	EA	
9	049784-000	BAFFLE, FAN, REAR	1	EA	
10	047806-000	BAFFLE, AIR, REAR, VDSC 18"	1	EA	
11	047055-000	BRACKET, LEG, OFFSET	2	EA	
12	PC030007	LEG PLATE - 3/4" THREADED HOLE	6	EA	
13	003860-000	FASTENER,SCR,HXWH,STL,ZP LT,10-18 x .500	1	EA	
14	046065-000	BRACKET, SWITCH, OVEN LIGHT	2	EA	
15	013564-000	LOWER LATCH INSULATION	2	EA	
16	048646-000	SHIELD, DIVERTER, HEAT, LH	1	EA	
17	048962-000	SHIELD, DIVERTER, HEAT, RH	1	EA	
18	048644-000	TRIM, CTR, VDR 48"	1	EA	
19	049755-000	DIVERTER, AIR, BACK WALL, VDSC	1	EA	
20	N/P	BRKT, TEST, DF	1	EA	
Not Shown	NOTE	(NOT FIELD REPLACEABLE)		EA	
21	049785-000	BAFFLE, FAN, REAR, TOP	1	EA	
22	047841-000	BRKT, MOUNT, CAPACITOR	1	EA	
23	004285-000	INSULATION, FOIL-BACKED,4"x5"	1	EA	
24	045548-000	CLIP, ROUTING, WIRE	6	EA	
25	003333-000	DUCT, FLUE	1	EA	
26	048639-000	DIVERTER, AIR, LH	1	EA	Not available online / Call for pricing and availability

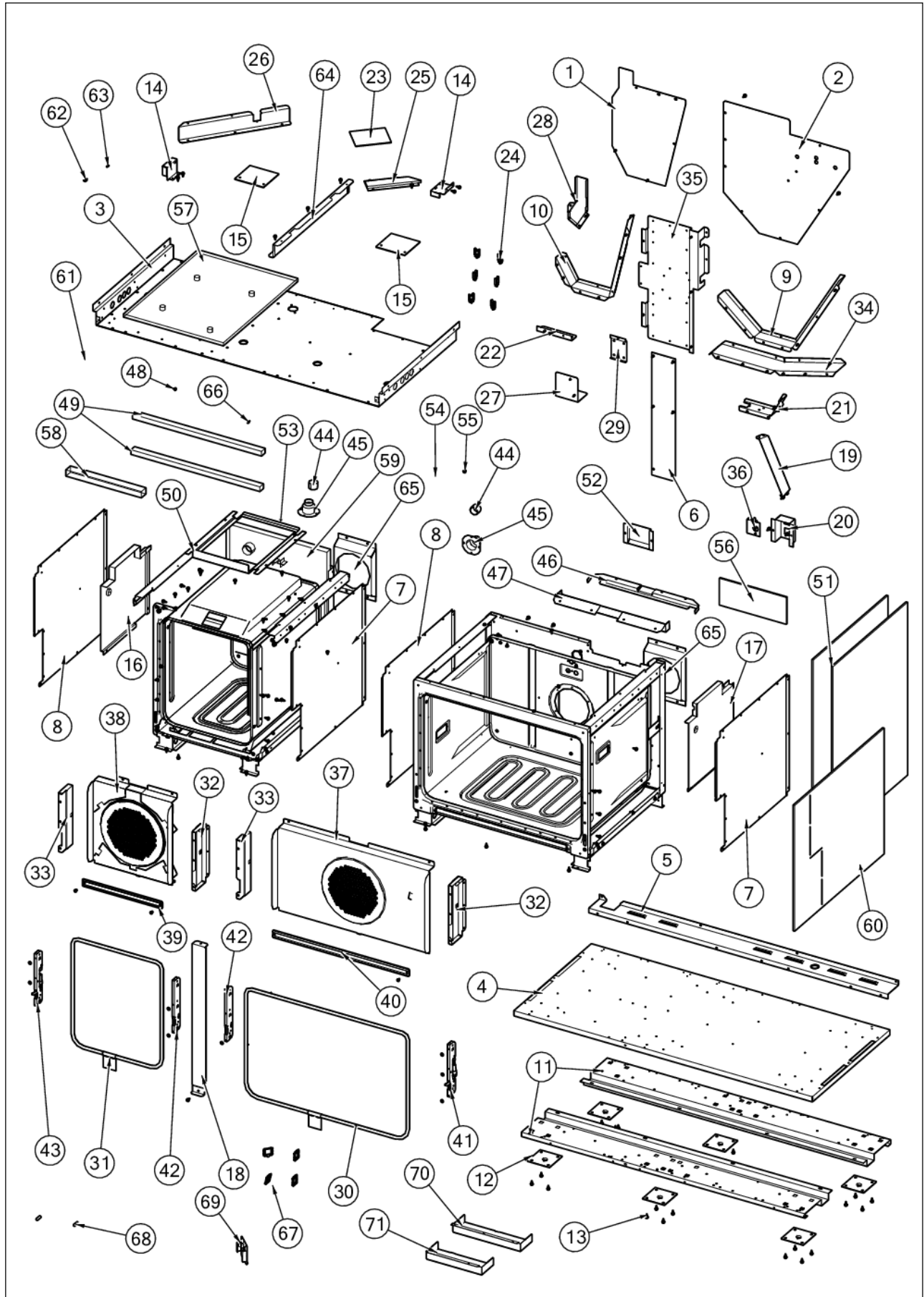


Item	Part No.	Name	Qty	Uom	NOTES
27	047826-000	BRKT, BASE, RETAINER, VALVE, SHUT OFF	1	EA	
28	044838-000	EXHAUST, DUCT, REAR, VDSC 18" INTL	1	EA	
29	N/P	SHELF, SUPPLY, POWER	1	EA	
Not Shown	NOTE	(NOT FIELD REPLACEABLE)		EA	
30	044796-000	GASKET, LINER, DF, ASM, 30"	1	EA	
Not Shown	NOTE	(BEFORE 09/16/14)		EA	
30	051590-000	GASKET, LINER, DF, ASM, 30"	1	EA	
Not Shown	NOTE	(ON OR AFTER 09/16/14)		EA	
31	044818-000	GASKET, LINER, DF, ASM, 18"	1	EA	
Not Shown	NOTE	(BEFORE 09/16/14)		EA	
31	051595-000	GASKET, LINER, DF, ASM, 18"	1	EA	
Not Shown	NOTE	(ON OR AFTER 09/16/14)		EA	
NI	051580-000	BRACKET, GASKET	2	EA	
32	048195-000	SHIM, SHIELD, RETAINER, RH HINGE	2	EA	
33	048199-000	SHIM, SHIELD, RETAINER, LH HINGE	2	EA	
34	047831-000	SHIELD, DIVERTER, WATER	1	EA	
35	047798-000	PNL, TRAY, MOUNT, ELECTRONICS	1	EA	Not available online / Call for pricing and availability
36	A2002195	POWER CORD MOUNTING BRKT (VDSC)	1	EA	
37	032857-000	BAFFLE, CNVN, ASM, D3 BLACK	1	EA	
38	006176-000	BAFFLE, CNVN, ASM, VDSC 18"	1	EA	
39	003490-000	COVER,BAKE, 18"	1	EA	
40	E9109655	COVER, BAKE TRAY	1	EA	
41	054057-000	RECEIVER, HINGE, SLOW-CLOSE, DAMPENED	1	EA	
42	045060-000	RECEIVER, HINGE, SLOW-CLOSE, UNDAMPENED	2	EA	





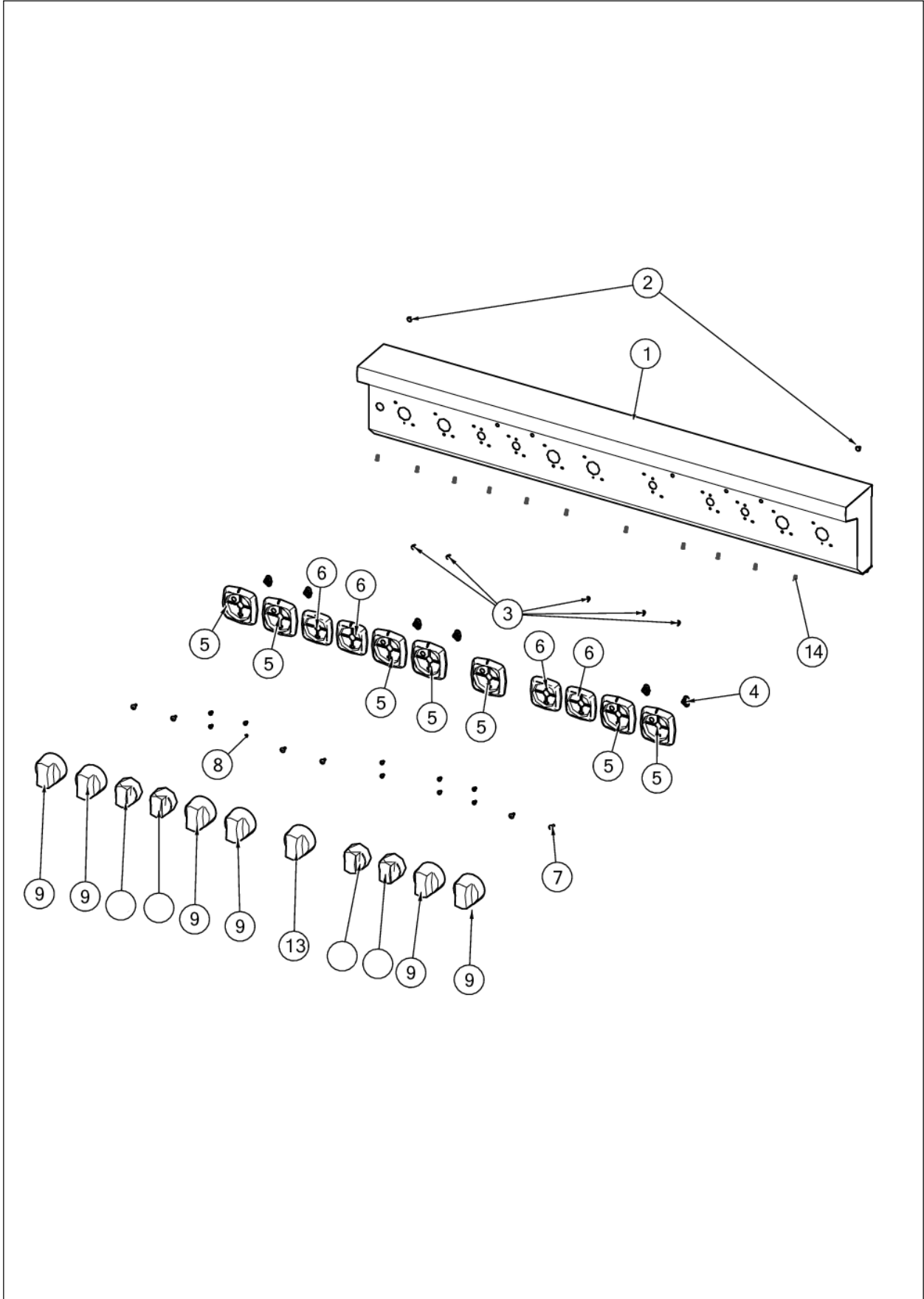
Item	Part No.	Name	Qty	Uom	NOTES
43	046853-000	RECEIVER, NUOVA STAR, DAMPENED, BLK	1	EA	Not available online / Call for pricing and availability
44	PB020275	VENT TUBE	2	EA	
45	PM010014	SMOKE ELIMINATOR (VDSC)	2	EA	
46	024221-000	BROIL ELEMENT BRACKET REAR	1	EA	
47	024234-000	PREMIERE BROIL ELEMENT BRACKET FRONT	1	EA	
48	037304-000	FASTENER, PNH, TORX, AB, PSVD, WAX	1	EA	
49	013547-000	BAKE ELEMENT INSULATION	2	EA	
50	043763-000	BRKT, TOP, WRAPPER	4	EA	
51	033588-000	INSULATION, TOP FOIL BACK	2	EA	
52	048838-000	DIVERTER, SHIELD, HEAT, DUCT	1	EA	
53	006748-000	BRACKET,SST,201HP,MILL,VD SC18",GLASS BROILER	1	EA	
54	037304-000	FASTENER, PNH, TORX, AB, PSVD, WAX	1	EA	
55	014143-000	SCR 10-12 A SHLD TRP 1/2 S ZN BLUE	1	EA	
56	006220-000	INSULATION, DOOR, SKIN, TOP, VDSC18"	1	EA	
57	017699-000	INSULATION, BAKE BOTTOM	1	EA	
58	017697-000	INSULATION, BAKE, FRONT	2	EA	
59	017701-000	INSULATION, CAVITY BACK	1	EA	
60	050302-000	INSULATION SIDE FOIL BACK	1	EA	
61	046595-000	WASHER, FIBER, BLACK	1	EA	
62	043800-000	BUMPER, RBR, BLK	1	EA	
63	046651-000	SCREW, TRILOBE, 10-32, TRUSS, PH, BLACK	1	EA	
64	043866-000	DIVERTER, AIR, DF	1	EA	
65	A2009697	BRACKET, CONVECTION INSULATION	2	EA	
66	PD020010	10 X 3/8 GREEN GROUNDING SCREW	1	EA	
67	045550-000	SADDLE, WIRE, EDGE	4	EA	





Item	Part No.	Name	Qty	Uom	NOTES
68	044044-000	GROMMET, SWITCH, DOOR, RBR	2	EA	
69	047827-000	BRKT, RETAINER, TOP, REGULATOR	2	EA	
70	049484-000	BRACKET, FILLER, BLOWER	2	EA	
71	049485-000	BRACKET, FAN, MT, BOT, VDSC 18"	1	EA	
NI	048460-000	INSULATION KIT #8	1	EA	
NI	048457-000	INSULATION KIT #10	1	EA	
NI	048458-000	INSULATION KIT #2	1	EA	

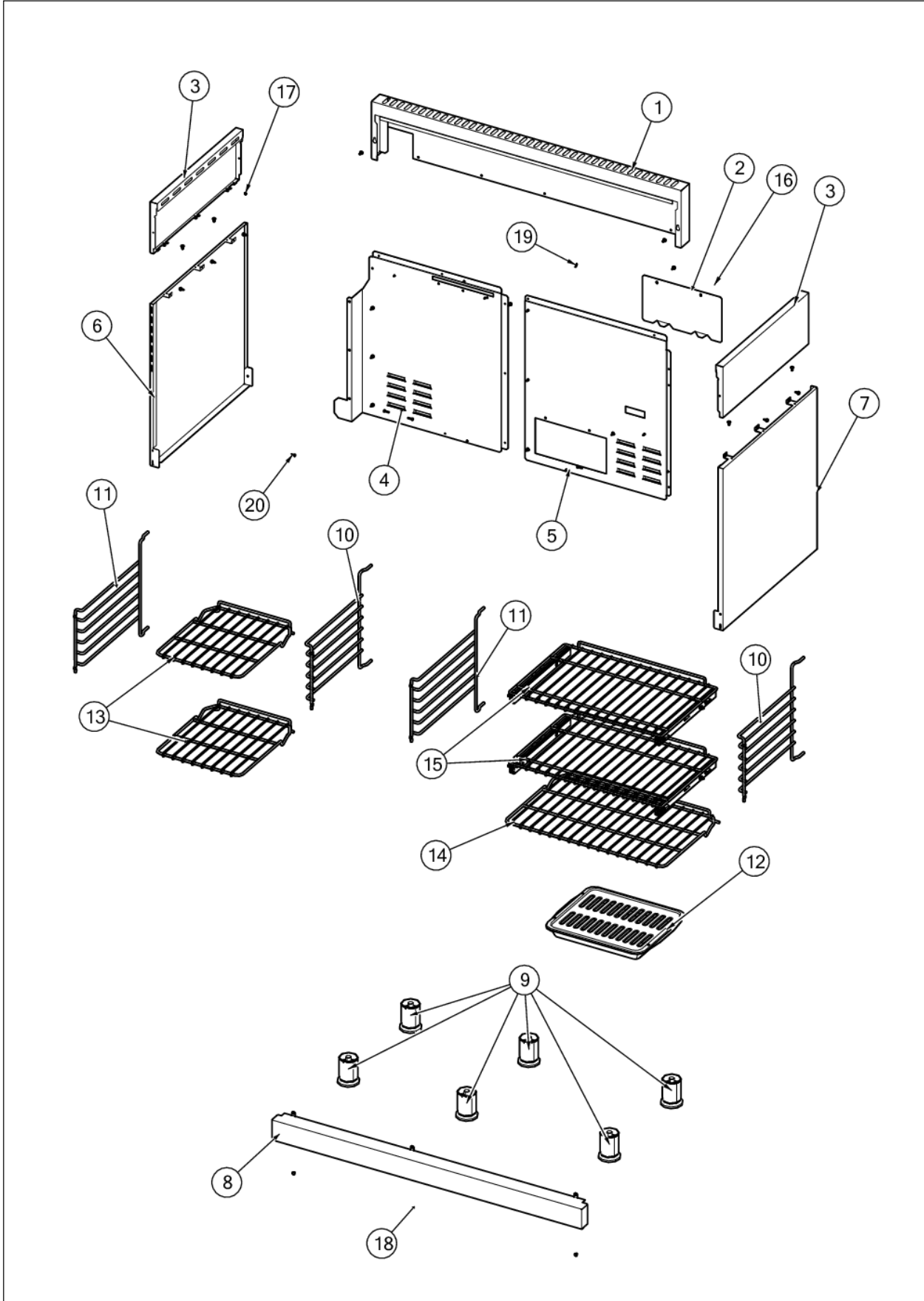
CONTROL





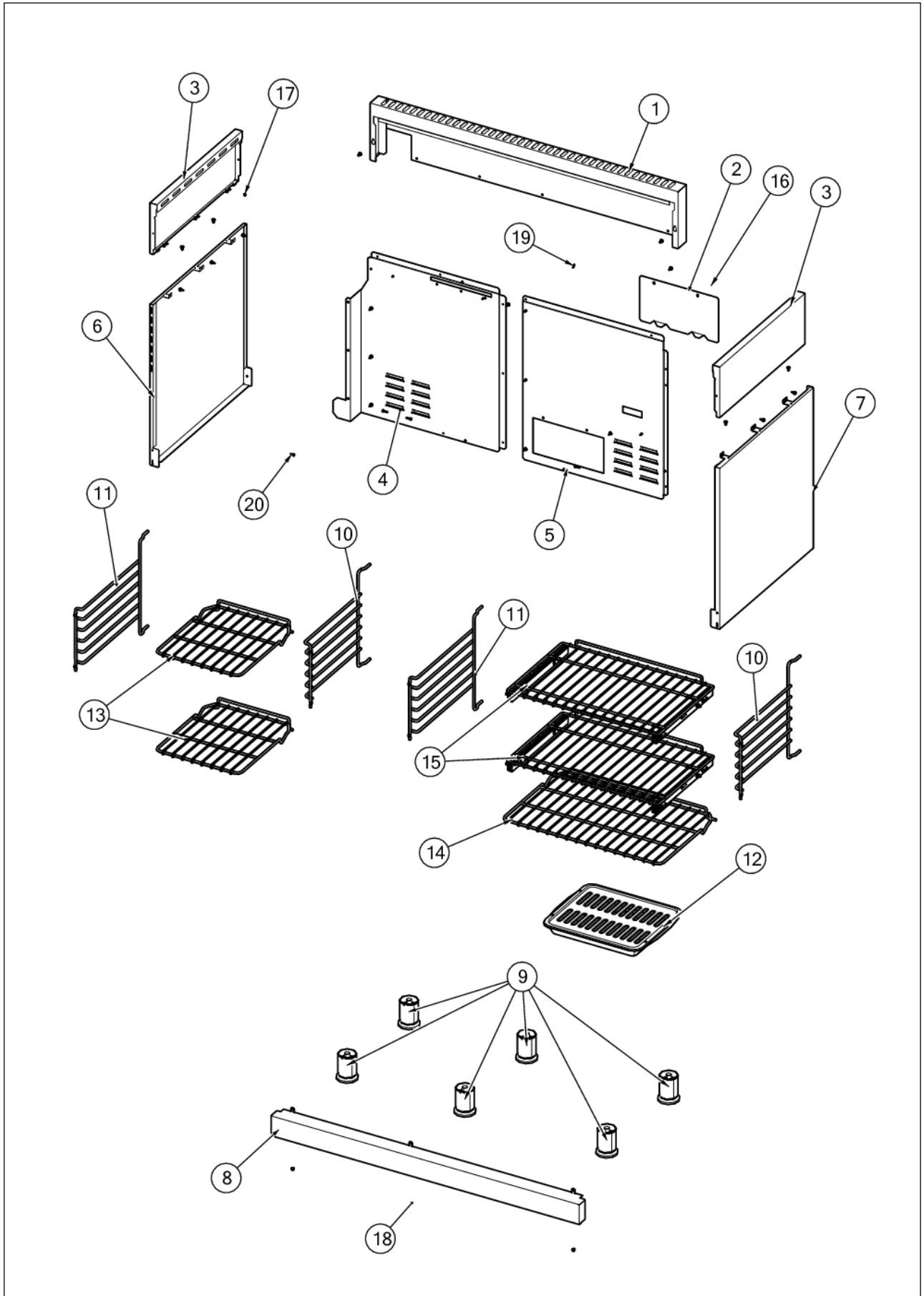
Item	Part No.	Name	Qty	Uom	NOTES
1	048862-2668	PNL, CTRL, VDR748, GRIDDLE, W/GRAPHICS ASSY	1	EA	
2	PD020032	SRW-8(A)X3/8"PH.WFR HD 7/16DIA*NICL	2	EA	
3	027968-000	LENS, BLUE	5	EA	
4	044512-000	BEARING, BEZEL, ASM	6	EA	
5	048309-000	BZL, KNOB	7	EA	
6	048326-000	BZL, KNOB	4	EA	
7	PD020046	NO.8 X 1/2 SCREW	6	EA	
8	PD020269	#8 PAN HEAD SCREW	10	EA	
9	042558-000	KNOB, ASSY, BURNER (TRI-CHROME CR3)	6	EA	
10	042771-000	KNOB, ASSY, SELECTOR, OVEN, LH, D/F (TRI-CHROME CR3)	1	EA	
11	044588-000	KNOB, SELECTOR, OVEN, DUAL FUEL (TRI-CHROME CR3)	1	EA	
12	044587-000	KNOB, THERMOSTAT, OVEN, DUAL FUEL (TRI-CHROME CR3)	2	EA	
13	045725-000	KNOB, THERMOSTAT, GRIDDLE ASSY (TRI-CHROME CR3)	1	EA	
14	044937-000	LENS, COVER, LED, CLEAR	11	EA	

DECOR

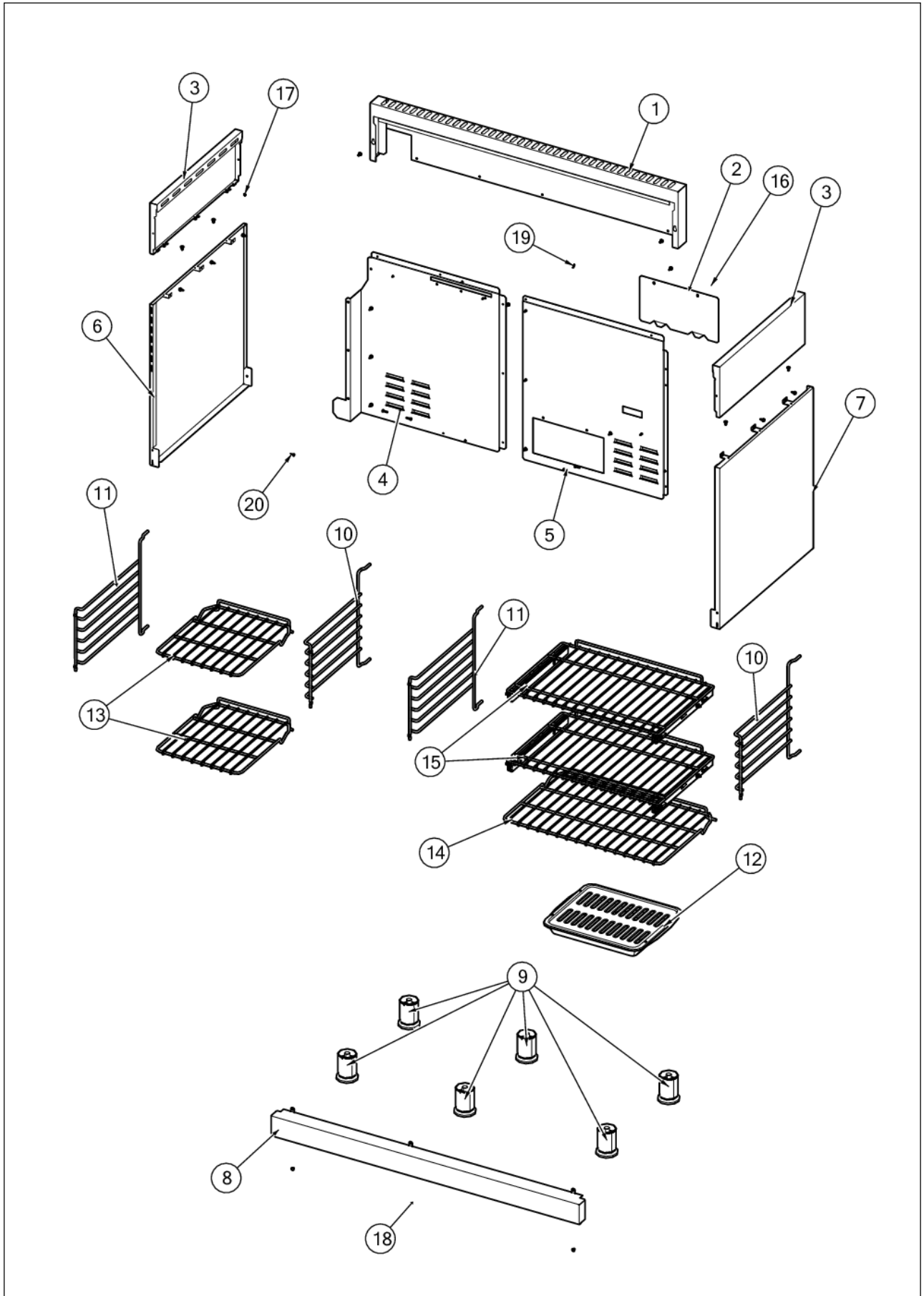




Item	Part No.	Name	Qty	Uom	NOTES
1	042797-000	TRIM, IS, VGR, 48"	1	EA	
2	047823-000	BACK, COVER ACCESS DOOR	1	EA	
3	052892-000	COVER, OS, RH/LH UPPER	2	EA	
4	047814-000	COVER, BACK, 18"	1	EA	
5	048627-000	COVER, BACK, 30"	1	EA	
6	047730-000	COVER, OS, LH	1	EA	
6	049552-024	COVER, OS, LH, DECARB AR	1	EA	
6	049552-002	COVER, OS, LH, DECARB BK	1	EA	
6	049552-008	COVER, OS, LH, DECARB BU	1	EA	
6	049552-013	COVER, OS, LH, DECARB CB	1	EA	
6	049552-051	COVER, OS, LH CN	1	EA	
6	049552-052	COVER, OS, LH DJ	1	EA	
6	049552-005	COVER, OS, LH, DECARB GG	1	EA	
6	049552-022	COVER, OS, LH SG	1	EA	
6	049552-012	COVER, OS, LH VB	1	EA	
6	049552-006	COVER, OS, LH, DECARB WH	1	EA	
6	049552-054	COVER, OS, LH WS	1	EA	
7	042375-000	COVER, OS, RH	1	EA	
7	049551-024	COVER, OS, RH, DECARB AR	1	EA	
7	049551-002	COVER, OS, RH, DECARB BK	1	EA	
7	049551-008	COVER, OS, RH, DECARB BU	1	EA	
7	049551-013	COVER, OS, RH, DECARB CB	1	EA	
7	049551-051	COVER, OS, RH CN	1	EA	
7	049551-052	COVER, OS, RH DJ	1	EA	
7	049551-005	COVER, OS, RH, DECARB GG	1	EA	
7	049551-022	COVER, OS, RH SG	1	EA	
7	049551-012	COVER, OS, RH VB	1	EA	
7	049551-006	COVER, OS, RH, DECARB WH	1	EA	
7	049551-054	COVER, OS, RH WS	1	EA	
8	047732-000	KICKPLATE, RNG	1	EA	
8	049738-024	KICKPLATE, RNG AR	1	EA	Not available online / Call for pricing and availability



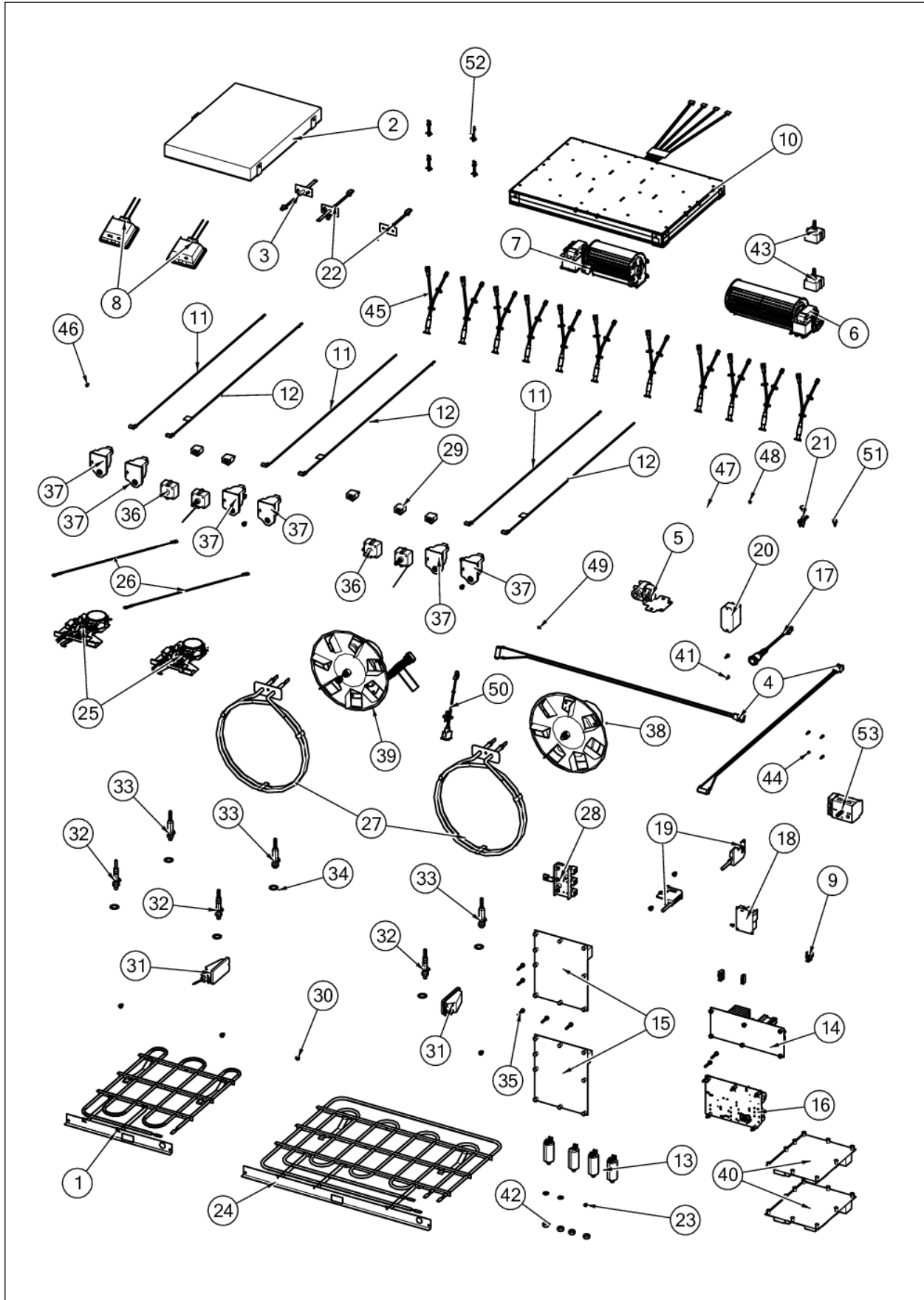
Item	Part No.	Name	Qty	Uom	NOTES
8	049738-002	KICKPLATE, RNG BK	1	EA	
8	049738-008	KICKPLATE, RNG BU	1	EA	
8	049738-013	KICKPLATE, RNG CB	1	EA	
8	049738-051	KICKPLATE, RNG CN	1	EA	Not available online / Call for pricing and availability
8	049738-052	KICKPLATE, RNG DJ	1	EA	Not available online / Call for pricing and availability
8	049738-005	KICKPLATE, RNG GG	1	EA	Not available online / Call for pricing and availability
8	049738-022	KICKPLATE, RNG SG	1	EA	Not available online / Call for pricing and availability
8	049738-012	KICKPLATE, RNG VB	1	EA	Not available online / Call for pricing and availability
8	049738-006	KICKPLATE, RNG WH	1	EA	Not available online / Call for pricing and availability
8	049738-054	KICKPLATE, RNG WS	1	EA	Not available online / Call for pricing and availability
9	044178-000	RANGE, LEG, ADJUSTABLE	6	EA	
10	066226-402	RACK SUPPORT, D3, ASM, RH, BK	2	EA	
11	066227-402	RACK SUPPORT, D3, ASM, LH, BK	2	EA	
12	042253-000	PAN, BROILER, PORCELAIN ASM	1	EA	
13	006379-000	OVEN,RACK,ASM,VDSC18"	2	EA	
14	041046-000	RACK, DF, PRO, 30"	1	EA	
15	024102-000	PULLOUT RACK, 30"	2	EA	
16	003860-000	FASTENER,SCR,HXWH,STL,ZP LT,10-18 x .500		EA	
17	003801-000	SHOULDER SCREW, #10		EA	
18	PD020032	SRW-8(A)X3/8"PH.WFR HD 7/16DIA*NICL		EA	



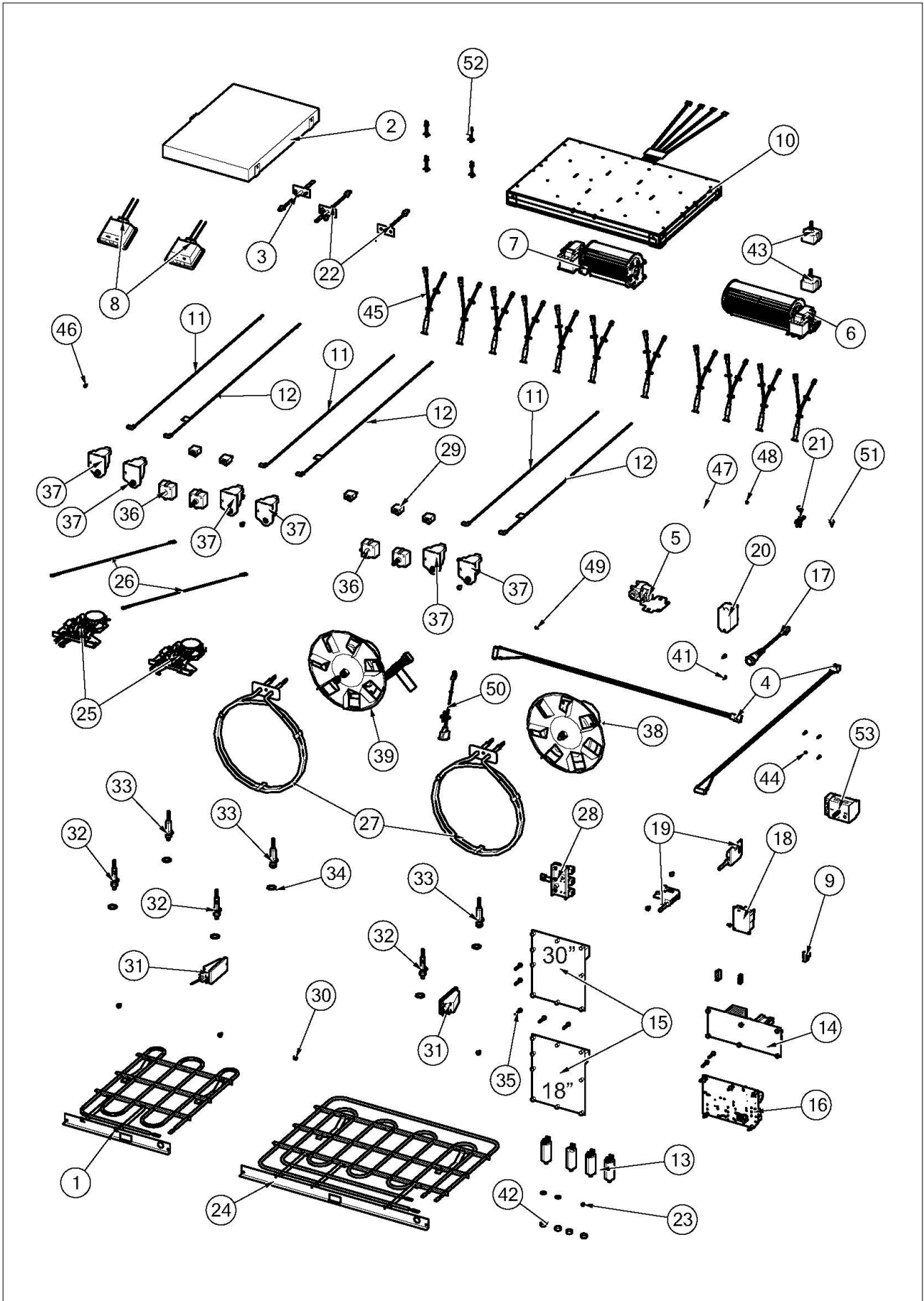


Item	Part No.	Name	Qty	Uom	NOTES
19	014143-000	SCR 10-12 A SHLD TRP 1/2 S ZN BLUE		EA	
20	PD020232	NO.8 X 3/4 PH PAN HEAD TEK SCREW (BLACK OXIDE)		EA	

ELECTRICAL - 1



Item	Part No.	Name	Qty	Uom	NOTES
1	006166-000	ELEMENT, BAKE, VDSC18"	1	EA	
2	006380-000	ELEMENT, GLASS, BROILER, 18"	1	EA	
3	007008-000	RTD PROBE	1	EA	
4	008880-000	MEAT PROBE JACK	2	EA	
5	009111-000	VALVE, SOL, SINGLE	1	EA	
6	018607-000	FAN, BLO, 220-240V 50/60 HZ ASM	1	EA	
7	018608-000	FAN, BLO, 220-240V 50/60Hz ASM (MT1712)	1	EA	
8	020403-000	BJB SLIMLINE 40W BULB	2	EA	
9	023024-000	HARN, HEADER, MODEL 16 (SEE MODEL_HEADER)	1	EA	
10	057872-000	ELEMENT, BRL, ASM	1	EA	
<p>Comments for Part Num. 057872-000</p> <p>gboltz@VikingRange.com on Aug 17, 2018</p> <p>When replacing the Ceramaspeed Broiler element (024040-000) with the EGO element, the original rear broiler bracket will need to be replaced with a replacement rear bracket, (013621-000) and a cover (016021-000)</p>					
11	028312-000	WIRE, ELECTRODE,IRIS,REAR	3	EA	
12	028324-000	WIRE, ELECTRODE,IRIS,FRONT	3	EA	
13	036047-000	EBM FAN MOTOR CAPACITOR	4	EA	
14	038417-000	EOC4 POWER SUPPLY BOARD, CB	1	EA	
15	046142-571	CONTROL, EOC4, LED, V39/V51 & FAMILY	2	EA	
16	043453-000	MODULE, DSI	1	EA	
17	044195-000	SWITCH, PB-LT, 5 WIRE, ASM	1	EA	
18	044693-000	SUPPLY, POWER, AC/DC 12VDC, 15W	1	EA	
19	048347-000	SWITCH, SPDT, DOOR, STRAIGHT TABS	2	EA	
20	049463-000	RELAY, DPST, 30A, 120VAC, COIL	1	EA	
21	PA020028	SPARK IGNITER	1	EA	
22	PE050206	RTD THERMOSTAT PROBE	2	EA	
23	PD040164	5/16 INTERNAL TOOTH LOCK WASHER TYPE A	4	EA	





Item	Part No.	Name	Qty	Uom	NOTES
24	PJ010048	BAKE ELEMENT	1	EA	
25	039293-000	LATCH, ELEC, 240V, ASSY	2	EA	
26	044607-000	WIRE, GROUND	2	EA	
27	PJ010047	CONVECTION ELEMENT	2	EA	
28	PE070147	TERMINAL BLOCK (VDSC)	1	EA	
29	043135-000	HOUSING, LIGHT, LED, BLUE 3.3V	5	EA	
30	037304-000	FASTENER, PNH, TORX, AB, PSVD, WAX	1	EA	
31	005311-000	LAMP, OVEN, 120V/25W	2	EA	
32	043065-000	ELECTRODE, ASM E	3	EA	
33	043067-000	ELECTRODE , ASM, D	3	EA	
34	045932-000	WASHER, ELECTRODE	6	EA	
35	M0211021	SCREW-SM	1	EA	
36	PJ030033	SELECTOR (10 POS)	2	EA	
37	PA020058	IRIS SINGLE SPARK MODULE	6	EA	
38	G32014020	CONVECTION FAN ASSY	1	EA	
39	006168-000	FAN, CNVN, ASM, VDSC 18"	1	EA	
41	PD020067	#6 X 3/8" PAN PHIL. TEK *SS*	1	EA	
42	PD030172	M8 X 1.25MM NUT	4	EA	
43	PJ030035	THERMOSTAT	2	EA	

Comments for Part Num. PJ030035

parts@lvdistributes.com on Feb 7, 2018

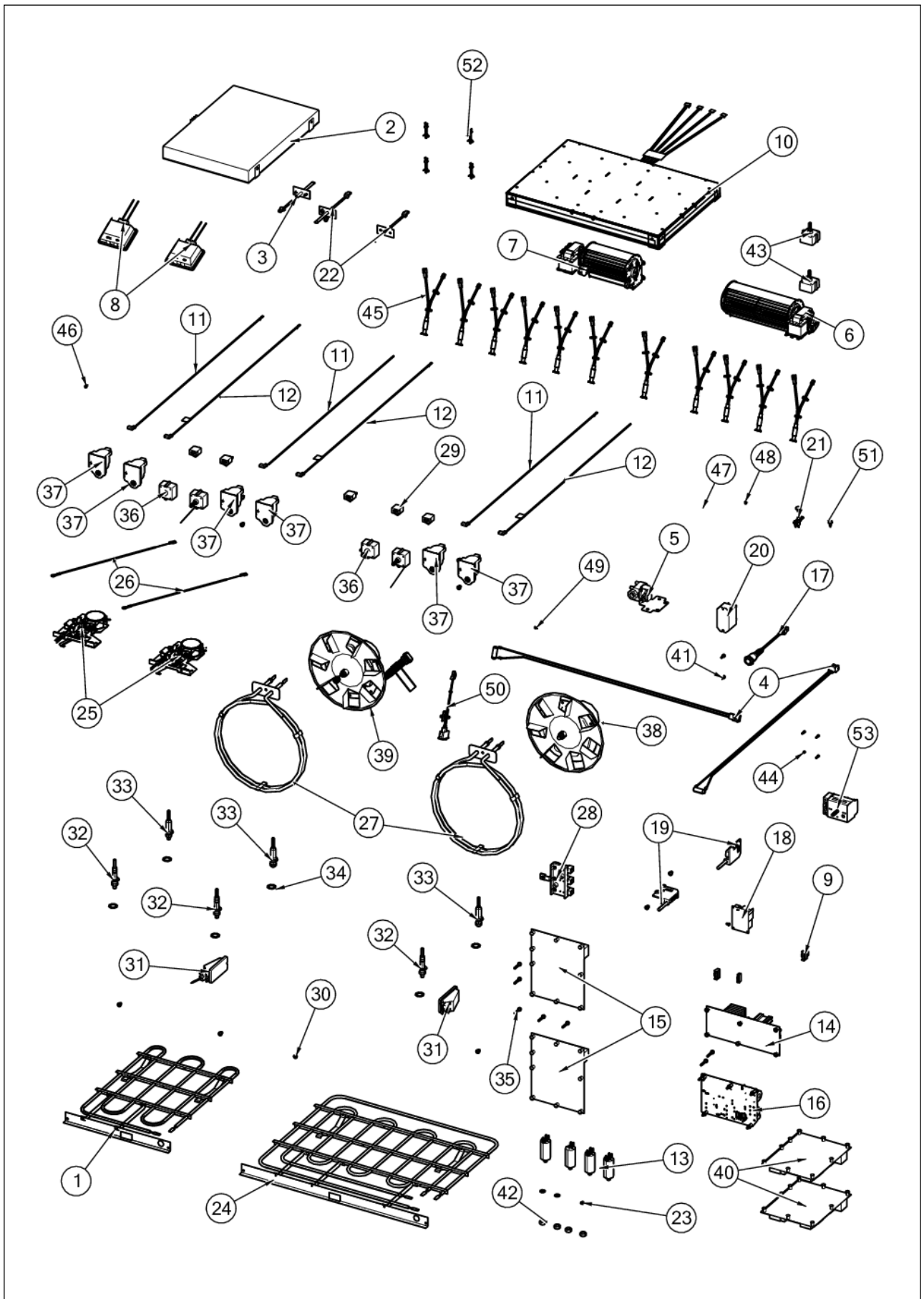
this is not the correct part for this range it should be a 003225-000

Reply by JREXEC02@AOL.COM on Feb 27, 2018

003225-000 is an Induction Control.

PJ030035 is the red colored thermostat for the Gas Range

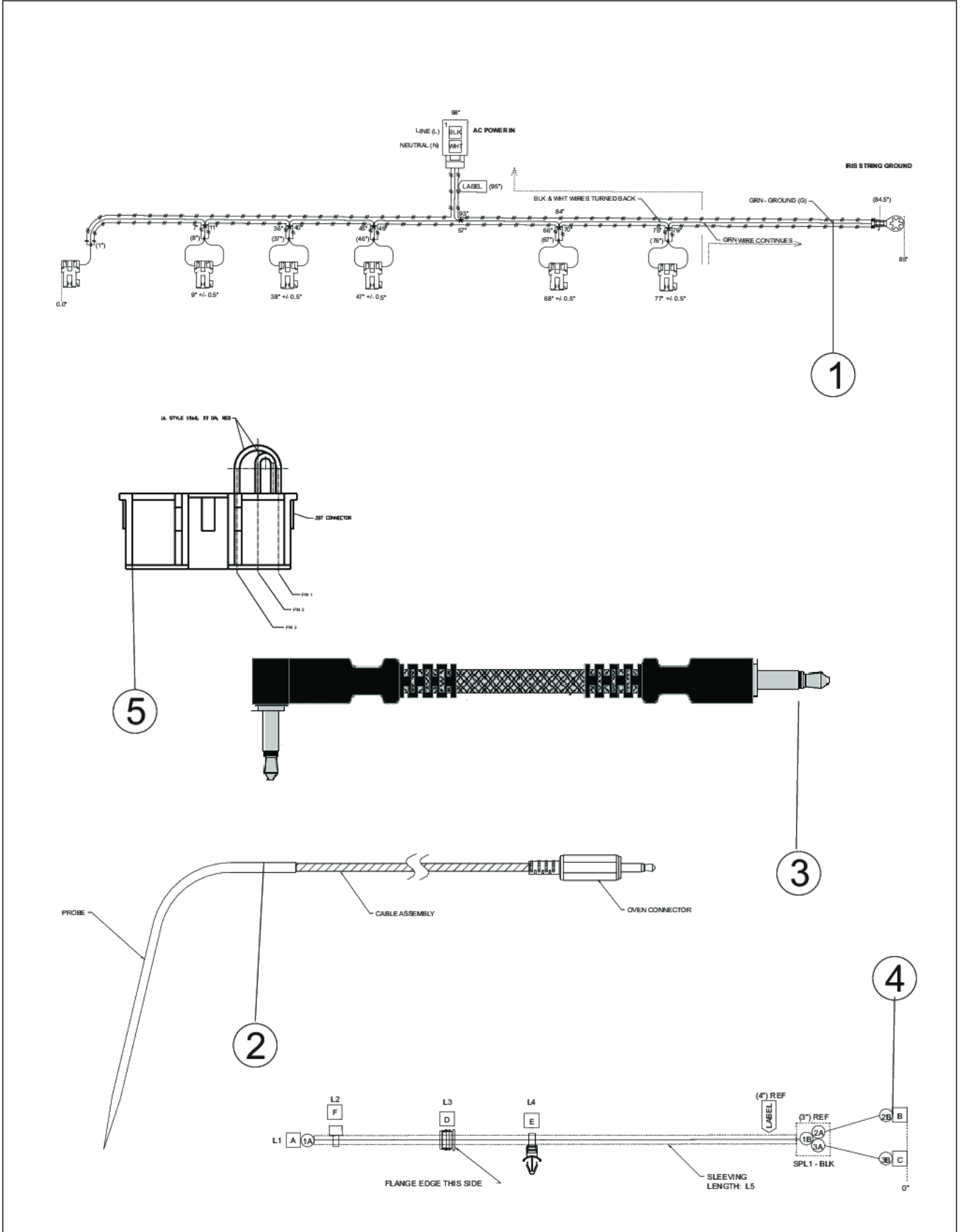
44	045594-000	SCREW, SHCS, #4-40 X 3/8, SS	1	EA	
45	048809-000	LAMP, LED, 12VDC, 2.84K, WHT HS, ASM & FAMILY	11	EA	
46	042402-000	WASHER, W/ADHESIVE	2	EA	
47	008882-000	FASTENER, WSHR, LCKG, 1/4" I.D.	1	EA	





Item	Part No.	Name	Qty	Uom	NOTES
48	008883-000	FASTENER, NUT, SST, 1/4" 32	1	EA	
49	PD020006	' #6-32 X 1/4" PH.PAN HD. T(F)	1	EA	
50	046283-000	SWITCH, LIGHTS, ACCENT W/CONN	1	EA	
51	003860-000	FASTENER, SCR, HXWH, STL, ZP LT, 10-18 x .500	1	EA	
52	045528-000	STANDOFF, LOCKING CLIP	4	EA	
53	013213-000	TSTAT, SMPS, ELEC, 2-POS, .91" SHAFT, CB	2	EA	
NI	049430-000	HARN, GRIDDLE, VDR748, MAIN, LH	1	EA	Not available online / Call for pricing and availability
NI	049433-000	HARN, GRIDDLE, VDR748, CP, RH	1	EA	Not available online / Call for pricing and availability
NI	049432-000	HARN, GRIDDLE, VDR748, CP, LH	1	EA	Not available online / Call for pricing and availability
NI	048831-000	KITCHEN THERMOMETER P/N 1KT002 VIKING OVERLAY	1	EA	
NI	009645-000	MODEL HEADER 11	1	EA	

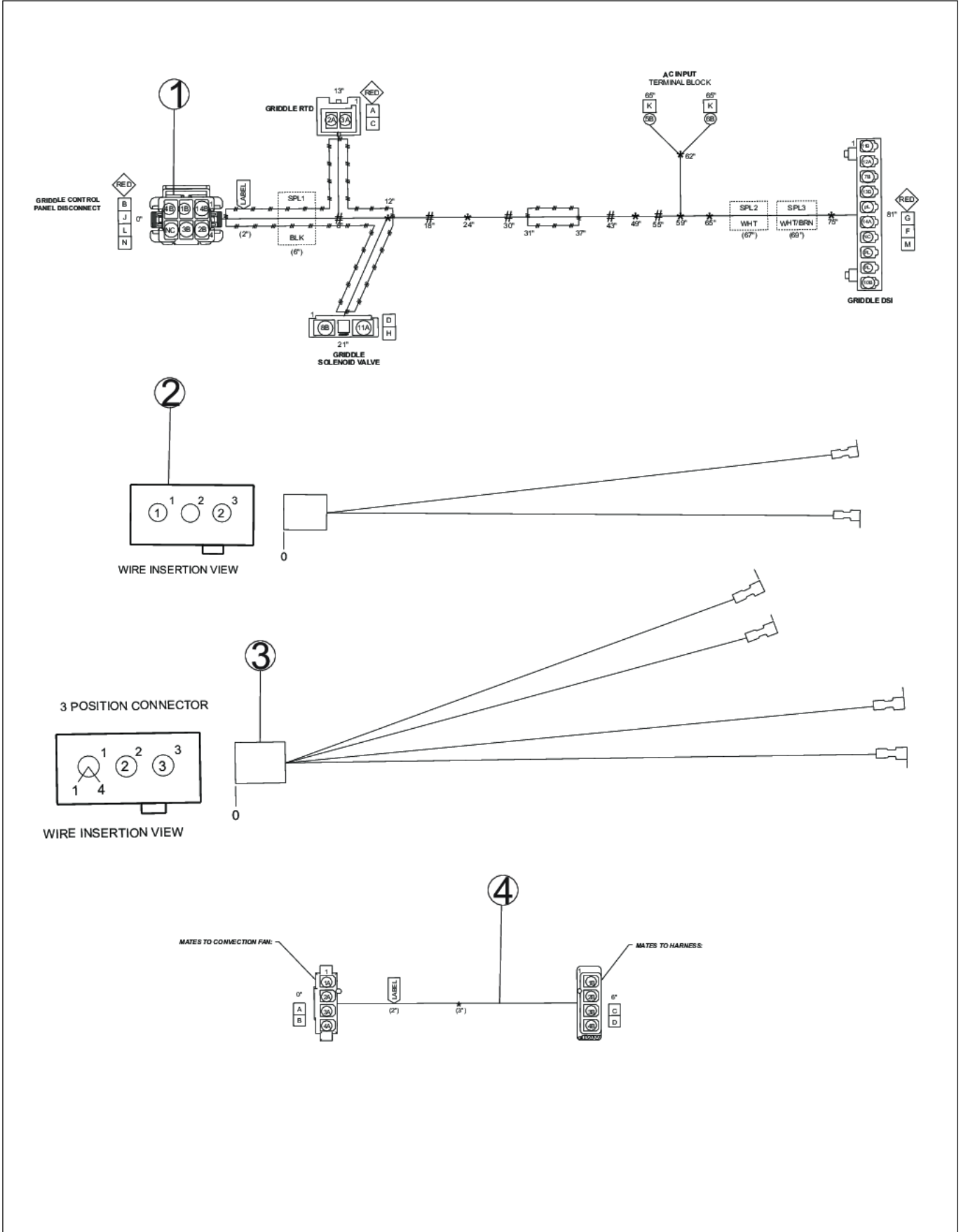
ELECTRICAL - 2





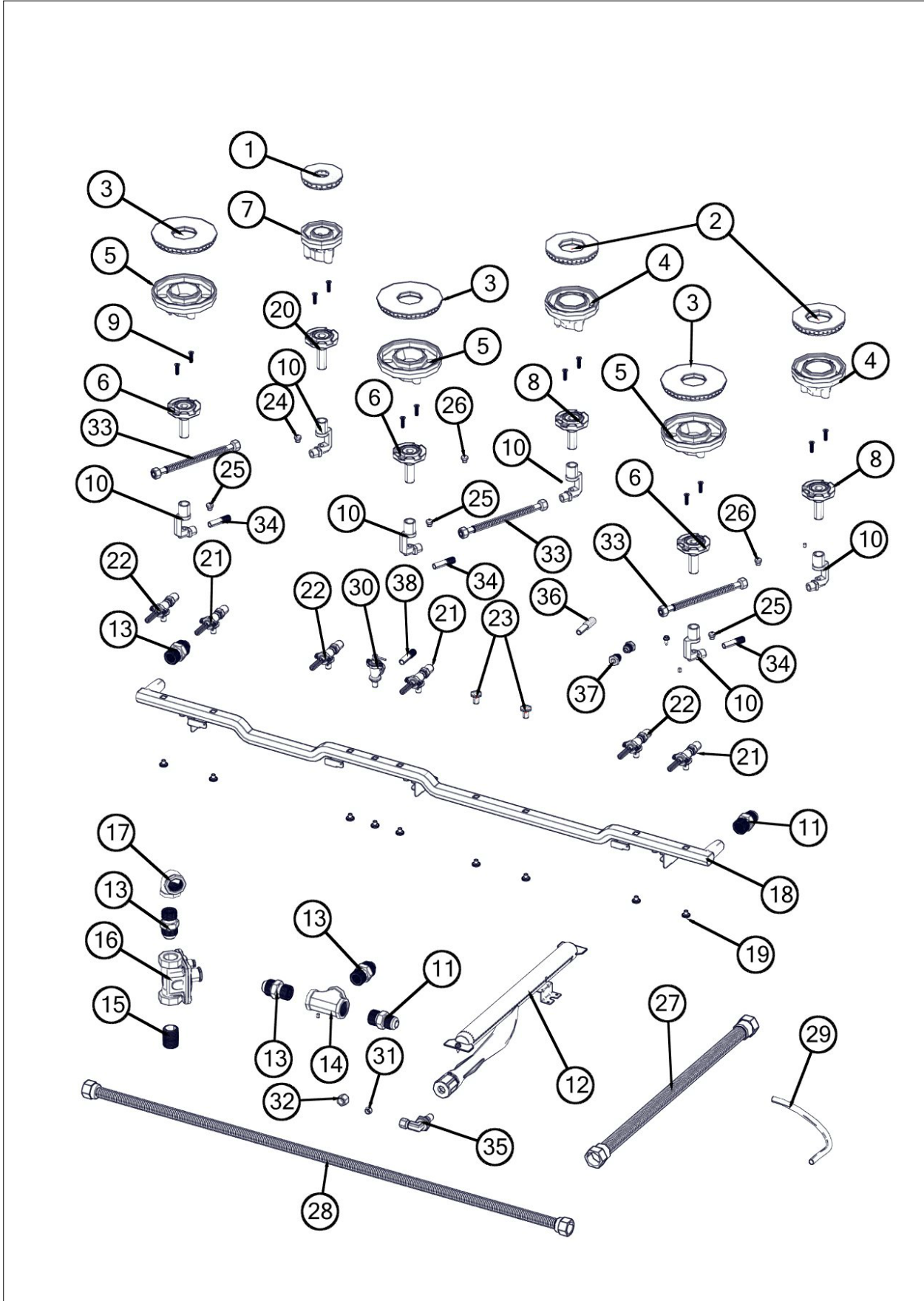
Item	Part No.	Name	Qty	Uom	NOTES
1	049047-000	HARN, IRIS, 48, 6G, W/CONN	1	EA	
2	046020-000	PROBE, MEAT, OVEN, IGRILL, SST, 3.5MM	1	EA	
3	046021-000	CORD, ADPT, M-M, 2.5TS, 2.5TS, SST	1	EA	
4	049310-000	HARN, VGR7364G, ELECTRODE, GRIDDLE	1	EA	
5	038655-000	GRIDDLE,JUMPER,BRIGADE	1	EA	

ELECTRICAL - 3

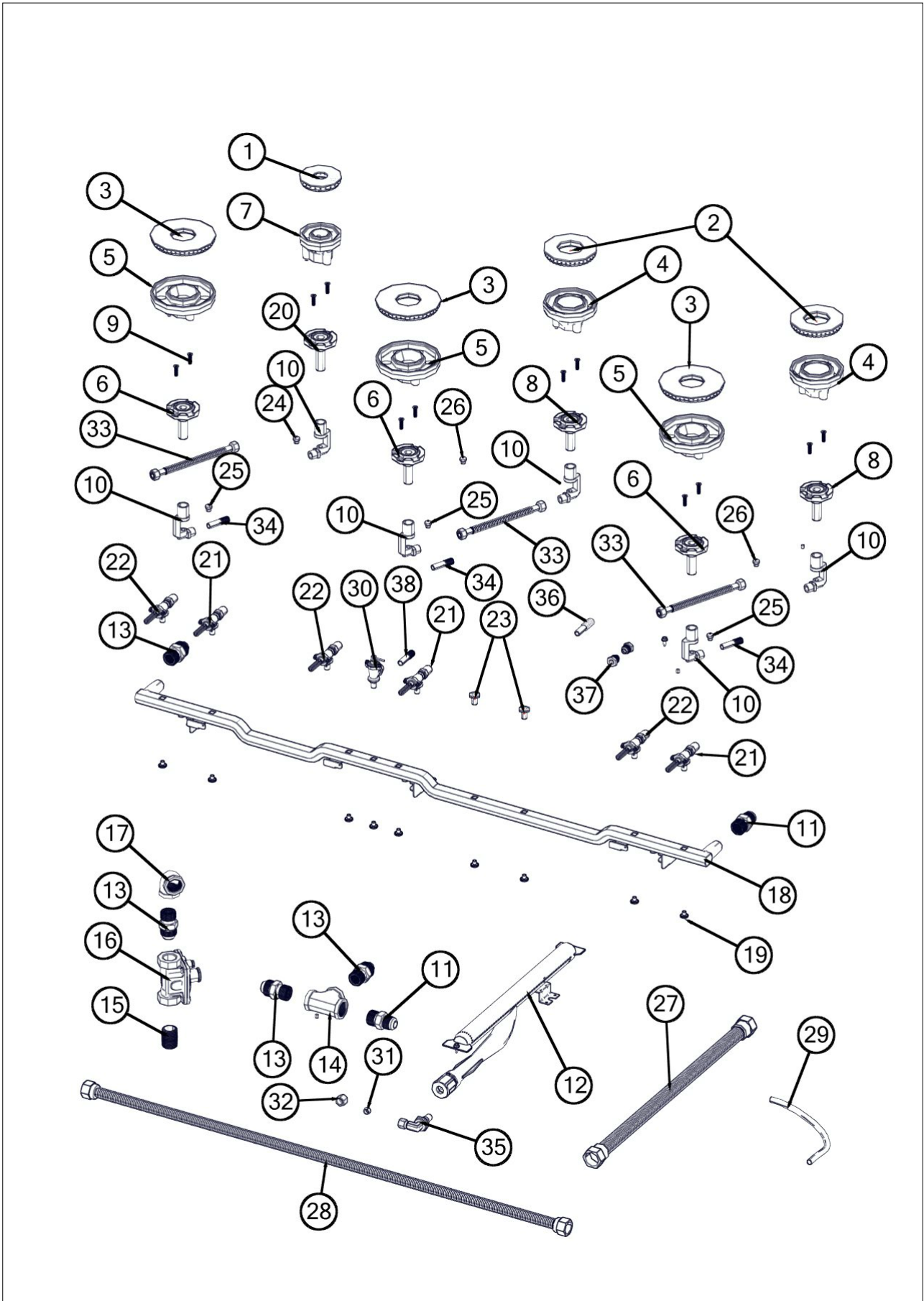




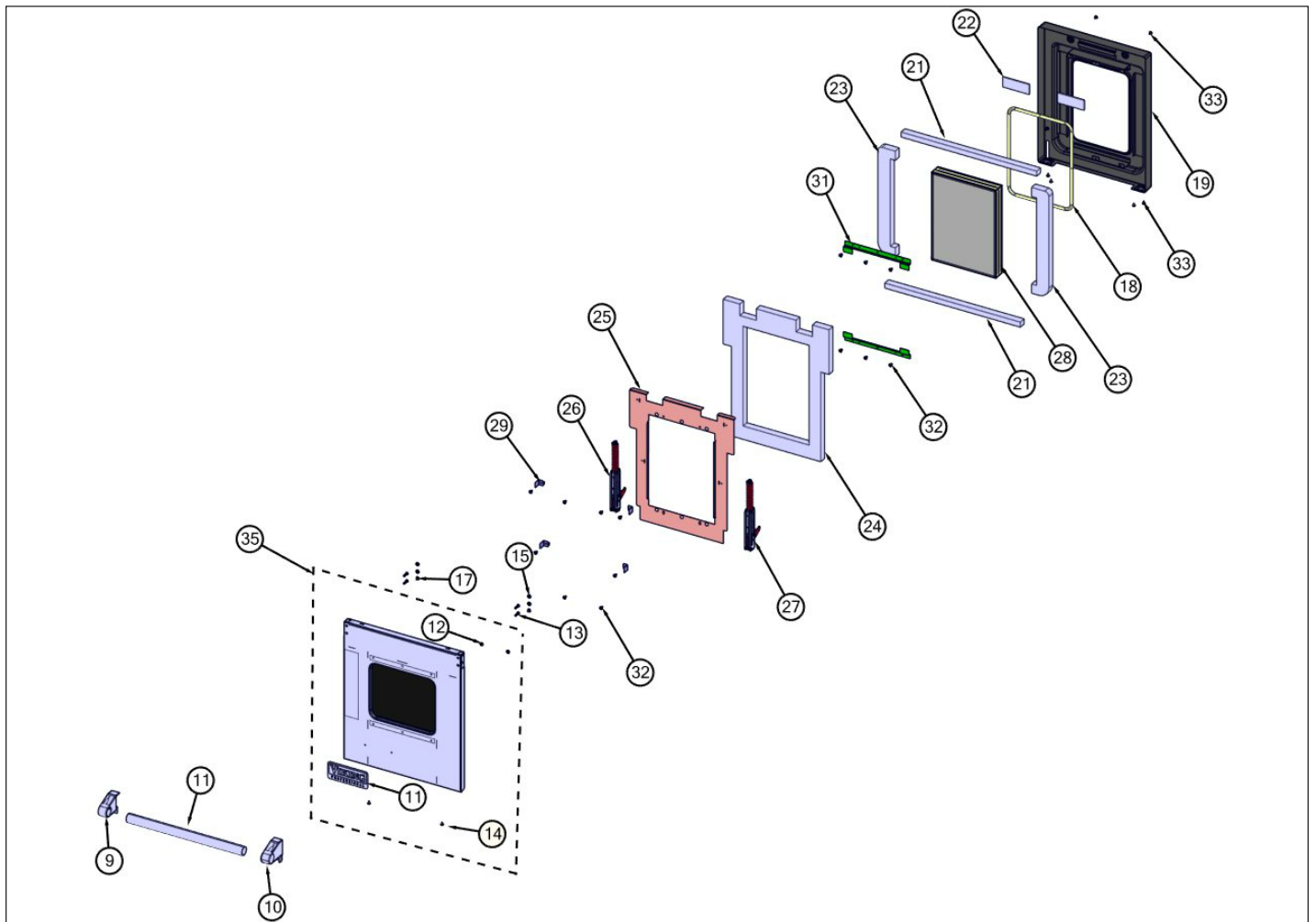
Item	Part No.	Name	Qty	Uom	NOTES
1	049431-000	HARN, GRIDDLE, VDR748, MAIN, RH	1	EA	
2	013406-000	HARNESS, BAKE, ELEMENT, VDSC18"	1	EA	
3	PE070739	BAKE ELEMENT HARNESS	1	EA	
4	050081-000	HARN, JUMPER, ADAPT CONV FAN	2	EA	



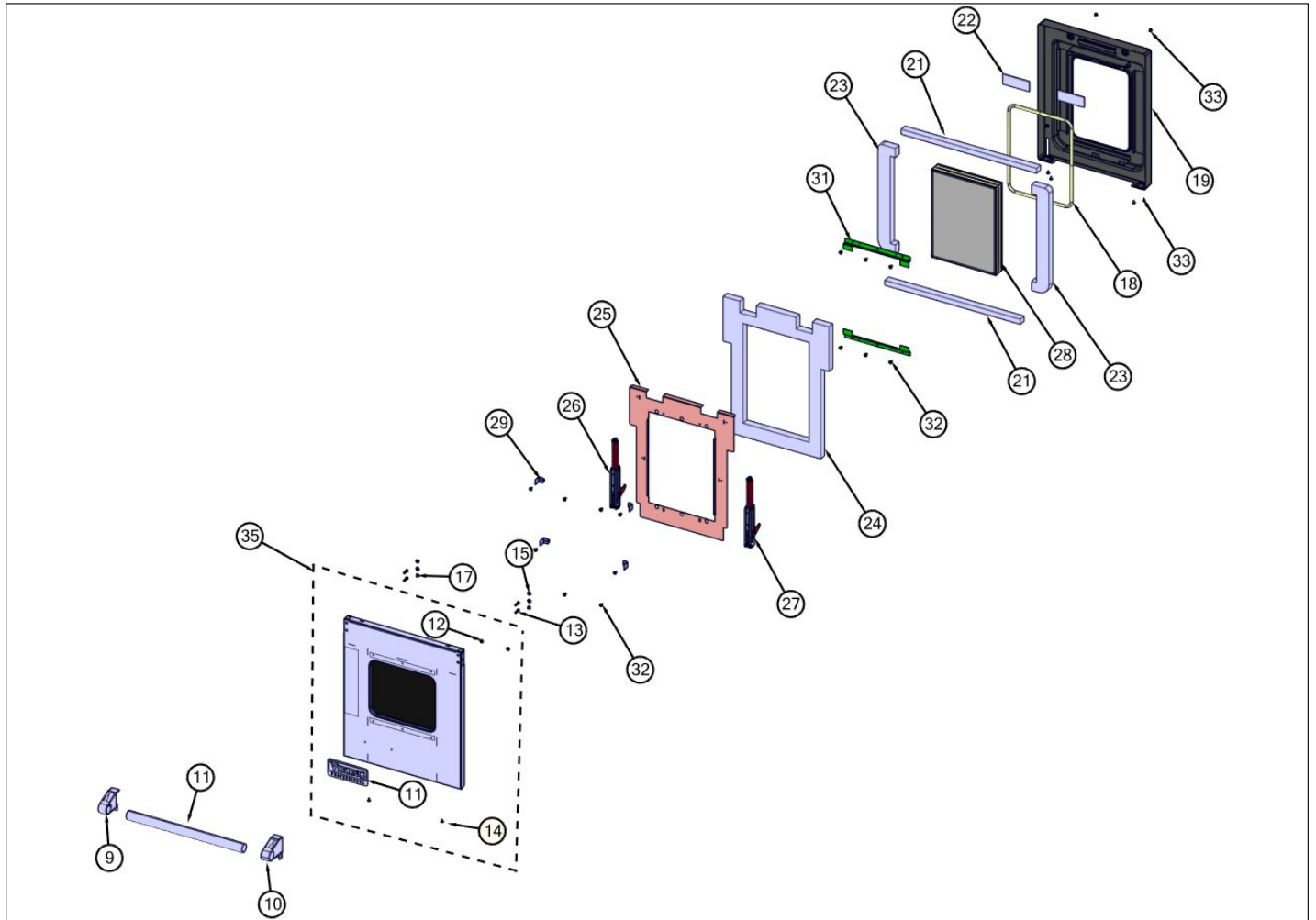
Item	Part No.	Name	Qty	Uom	NOTES
1	043791-000	BURNER, HEAD, BRS, C-SIZE	1	EA	
Not Shown	NOTE	(BEFORE 09/02/15)		EA	
1	056256-000	BURNER, HEAD, BRS, C-SIZE	1	EA	
Not Shown	NOTE	(ON OR AFTER 09/02/15)		EA	
2	043251-000	D-BURNER HEAD	2	EA	
3	053356-000	BURNER, HEAD, E	3	EA	
4	043249-000	BASE, BNR, D	2	EA	
5	043158-000	E-BURNER BASE	3	EA	
Not Shown	NOTE	(BEFORE 11/18/15)		EA	
5	053357-000	BASE, BNR, E SIZE	3	EA	
Not Shown	NOTE	(ON OR AFTER 11/18/15)		EA	
6	044485-000	VENTURI, E NAT, FLANGE, BNR	3	EA	
7	043790-000	BURNER, BASE, C-SIZE	1	EA	
Not Shown	NOTE	(BEFORE 09/02/15)		EA	
7	056458-000	BURNER, BASE, C-SIZE	1	EA	
Not Shown	NOTE	(ON OR AFTER 09/02/15)		EA	
8	044487-000	VENTURI, D NAT, D LP, FLANGE, BNR	2	EA	
9	046964-000	SCREW, 10-32 X 3/4", CTSK, BLACK		EA	
10	043208-000	HOLDER, JET, BURNER	6	EA	
11	044824-000	FITTING, ADAPTOR, 1/2" FLEX TUBING	2	EA	
12	046133-000	BURNER, GRIDDLE, 700-SERIES	1	EA	
13	044321-000	FITTING, ADAPTOR, 3/4" FLEX TUBING	4	EA	
14	044323-000	TEE, PIPE, 3/4"	1	EA	
15	044322-000	NIPPLE, CLOSE, 3/4" NPTM TO 3/4" NPTM	1	EA	
16	046119-000	PRESSURE REGULATOR (NATURAL GAS)	1	EA	



Item	Part No.	Name	Qty	Uom	NOTES
17	044325-000	ELBOW, 90 DEG STREET, 3/4" NPT	1	EA	
18	046908-000	MANIFOLD, GRIDDLE, GAS, 48" ASM	1	EA	
19	PD010012	VALVE BOLT 1/4-20 UNC-2B 5/16" M.S.	18	EA	
20	044686-000	VENTURI, C NAT, C LP, FLANGE, BNR	1	EA	
NI	051790-000	TC-0101-SP 7 SERIES LR SURFACE BURNER KIT	1	EA	
Not Shown	NOTE	(FOR UNITS MANUFACTURED BEFORE 8/5/14)		EA	
21	046197-000	VALVE, BNR, 9/16-24 UNEF ASSY - NAT	3	EA	
22	043134-000	VALVE, BNR, 9/16-24 UNEF ASSY - NAT	3	EA	
23	002884-000	MANIFOLD PLUG	2	EA	
24	044688-000	ORIFICE, BNR, STD, 1.22MM Nat	1	EA	
25	043675-000	ORIFICE, BNR, STD, 2.18MM Nat	3	EA	
26	046184-000	ORIFICE, BNR, STD, 1.70MM Nat	2	EA	
27	046399-000	TUBING, 3/4" FLEX, SST, 20"	1	EA	
28	044832-000	TUBING, 1/2" FLEX, SST, 38"	1	EA	
29	PB020116	TUBING - 10" FLEXIBLE 12 & 24"	1	EA	
30	007147-000	SHUT OFF VALVE	1	EA	
31	PB040192	3/8" CC FERREL (DGCU)	1	EA	
32	PB040213	3/8" COMPRESSION NUT (DGCU)	1	EA	
33	PB020198	20" FLEX TUBING	3	EA	
34	PB020191	15" FLEX TUBE	3	EA	
35	048029-000	90 DEG ORIFICE FITTING #50 DRILL	1	EA	
36	PB020126	3/8" S.S. FLEX TUBING 15" (DGCU)	1	EA	
37	PB040050	3/8"CC MALE COMP. FITTING W/FERRULE	2	EA	
38	PB020127	3/8" S.S. FLEX TUBING 20" (DGCU)	1	EA	

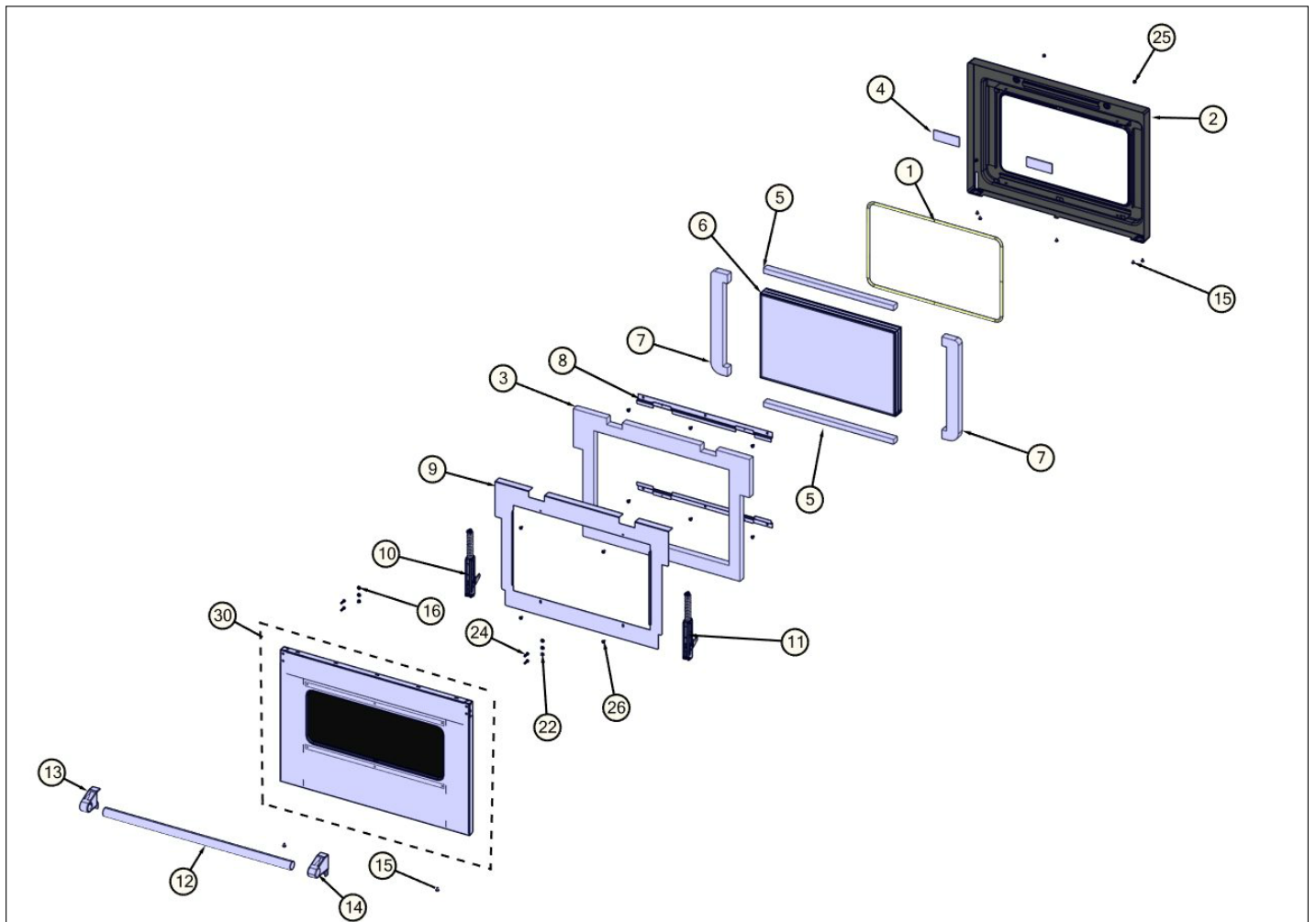


Item	Part No.	Name	Qty	Uom	NOTES
9	003011-000	DOOR HANDLE ENDCAP ASSY, LH (CHROME)	1	EA	
10	003012-000	DOOR HANDLE ENDCAP ASSY, RH (CHROME)	1	EA	
11	006221-000	18" DOOR HANDLE, SST	1	EA	
12	PD030006	CAPPED WASHER PAL NUT	2	EA	
13	030823-000	#10-32 PAN HEAD PHILLIPS MACHINE SCREW	1	EA	
14	PD020032	SRW-8(A)X3/8"PH.WFR HD 7/16DIA*NICL	1	EA	
15	004907-000	STEEL FINISHING PLUG, NICKEL PLTD 25/64" HOLE	1	EA	
17	PD020073	SRW NO.10 X 24 X 3/8 WAFER HD TYPE23	1	EA	
18	000594-000	BLACK FIBERGLASS ROPE 3/8	1	EA	
19	049018-402	LINER, DOOR, WLD, ASSY 158" BK	1	EA	
21	013547-000	BAKE ELEMENT INSULATION	2	EA	
22	013567-000	DOOR BRACKET INSULATION	2	EA	
23	013558-000	INSULATION	2	EA	
24	024494-000	INSULATION, DOOR LINER, 18"	1	EA	
25	006209-000	DOOR LINER INSULATION RETAINER, 18"	1	EA	
26	046549-000	HINGE, NUOVA STAR, LH, RED	1	EA	
27	046548-000	HINGE, NUOVA STAR, RH, RED	1	EA	
28	005300-000	GLASS, WINDOW PACK, 18"	1	EA	
29	009426-000	STANDOFF, BRACKET, DOOR, LINER, VDSC18"	3	EA	
31	006207-000	DOOR GLASS HOLDER BRACKET, 18 DOOR	2	EA	
32	004526-000	10 x 1/2 PH, NPLT, TAPPING SCREW	1	EA	
33	PD020063	SCREW-#8(A) X 3/8"PH WFR HD/BK OXID	1	EA	
35	049016-000	DOOR, OS, KIT, 18" ASM	1	EA	
35	066956-002	DOOR SKIN ASM BK	1	EA	
35	066956-005	DOOR SKIN ASM GG	1	EA	
35	066956-006	DOOR SKIN ASM WH	1	EA	
35	066956-008	DOOR SKIN ASM BU	1	EA	

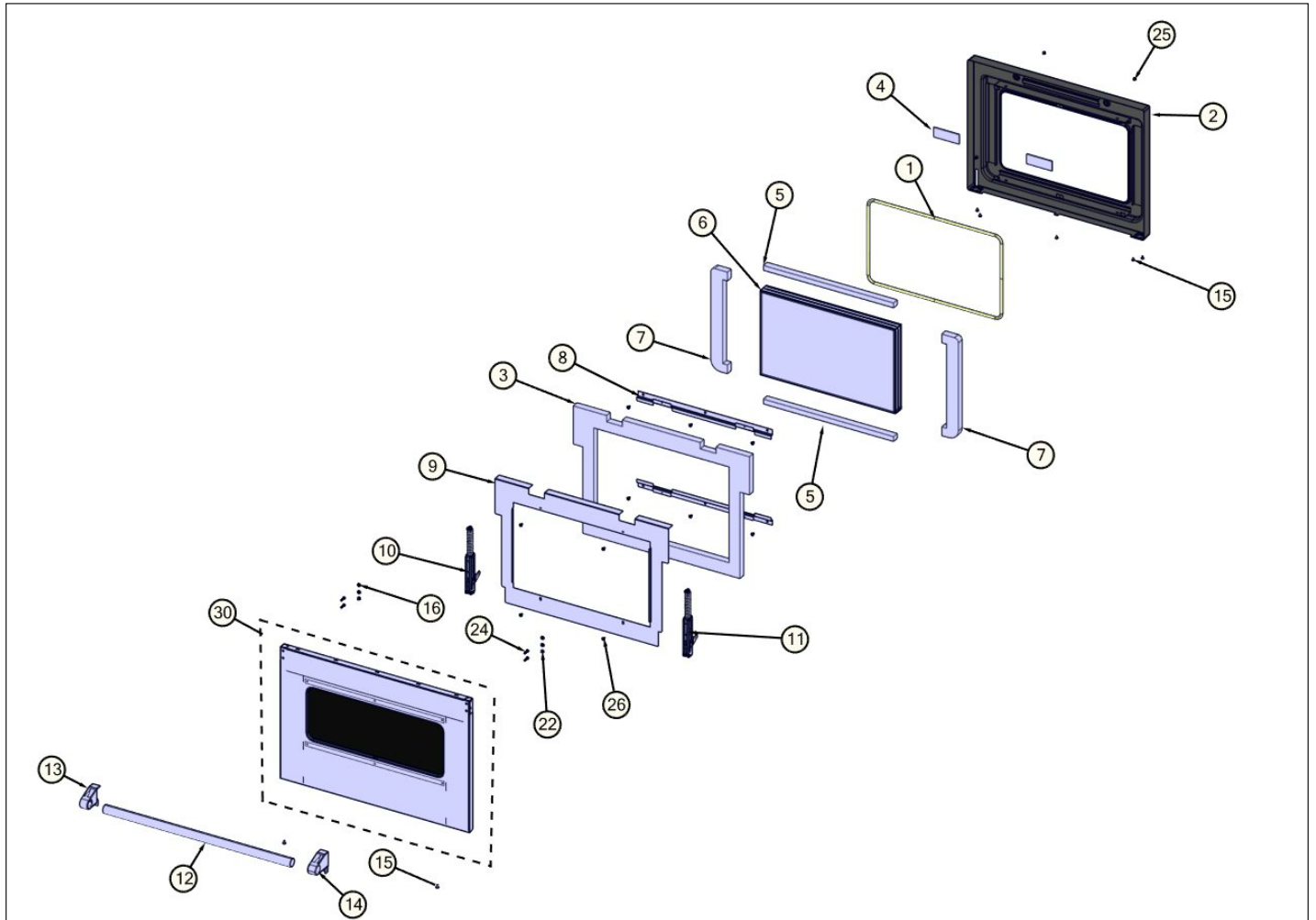




Item	Part No.	Name	Qty	Uom	NOTES
35	066956-013	DOOR SKIN ASM CB	1	EA	
35	066956-024	DOOR SKIN ASM AR	1	EA	
36	PE010030	LOGO	1	EA	



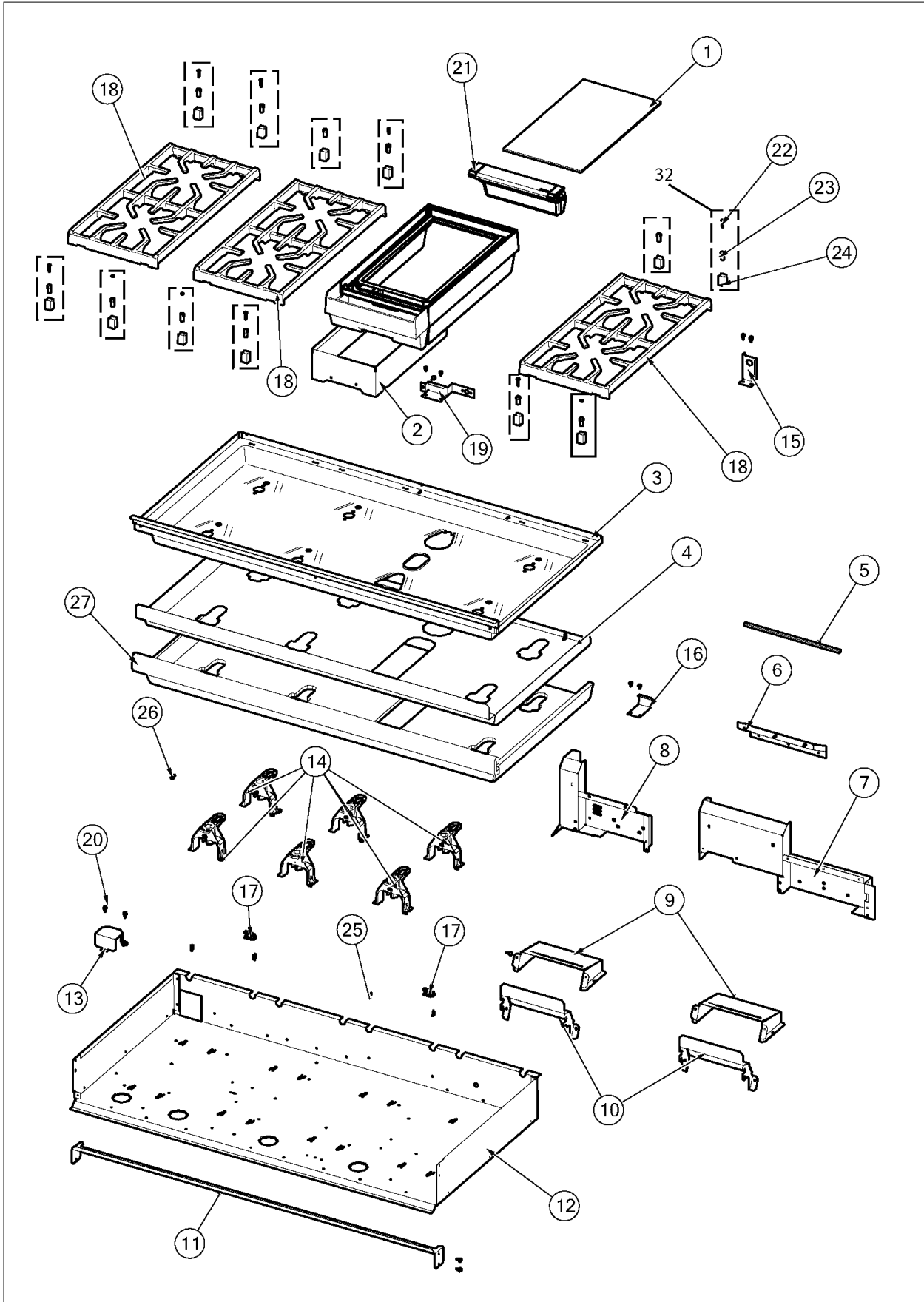
Item	Part No.	Name	Qty	Uom	NOTES
1	000594-000	BLACK FIBERGLASS ROPE 3/8	1	EA	
2	049013-402	LINER, DOOR, WLD, ASSY 30" BK	1	EA	
3	017752-000	INSULATION, DOOR LINER	1	EA	
4	013567-000	DOOR BRACKET INSULATION	2	EA	
5	013547-000	BAKE ELEMENT INSULATION	2	EA	
6	PE060094	30" WINDOW PACK	1	EA	
7	013558-000	INSULATION	2	EA	
8	004153-000	DOOR GLASS HOLDER BRACKET	1	EA	
9	004152-000	DOOR LINER INSULATION RETAINER, 30	1	EA	
10	046547-000	HINGE, NUOVA STAR, LH, WHITE	1	EA	
11	046546-000	HINGE, NUOVA STAR, RH, WHITE	1	EA	
12	002728-000	DOOR HANDLE - SS, 1.25" 29.5	1	EA	
13	003011-000	DOOR HANDLE ENDCAP ASSY, LH (CHROME)	1	EA	
14	003012-000	DOOR HANDLE ENDCAP ASSY, RH (CHROME)	1	EA	
15	PD020032	SRW-8(A)X3/8"PH.WFR HD 7/16DIA*NICL		EA	
16	004907-000	STEEL FINISHING PLUG, NICKEL PLTD 25/64" HOLE	4	EA	
22	PD020073	SRW NO.10 X 24 X 3/8 WAFER HD TYPE23		EA	
24	030823-000	#10-32 PAN HEAD PHILLIPS MACHINE SCREW	1	EA	
25	PD020063	SCREW-#8(A) X 3/8"PH WFR HD/BK OXID	1	EA	
26	004526-000	10 x 1/2 PH, NPLT, TAPPING SCREW	1	EA	
30	049011-000	DOOR, OS, KIT, 30" ASM	1	EA	
30	066953-002	DOOR, OS, KIT, DECARB, 30" ASM BK	1	EA	
30	066953-005	DOOR, OS, KIT, DECARB, 30" ASM GG	1	EA	
30	066953-006	DOOR, OS, KIT, DECARB, 30" ASM WH	1	EA	



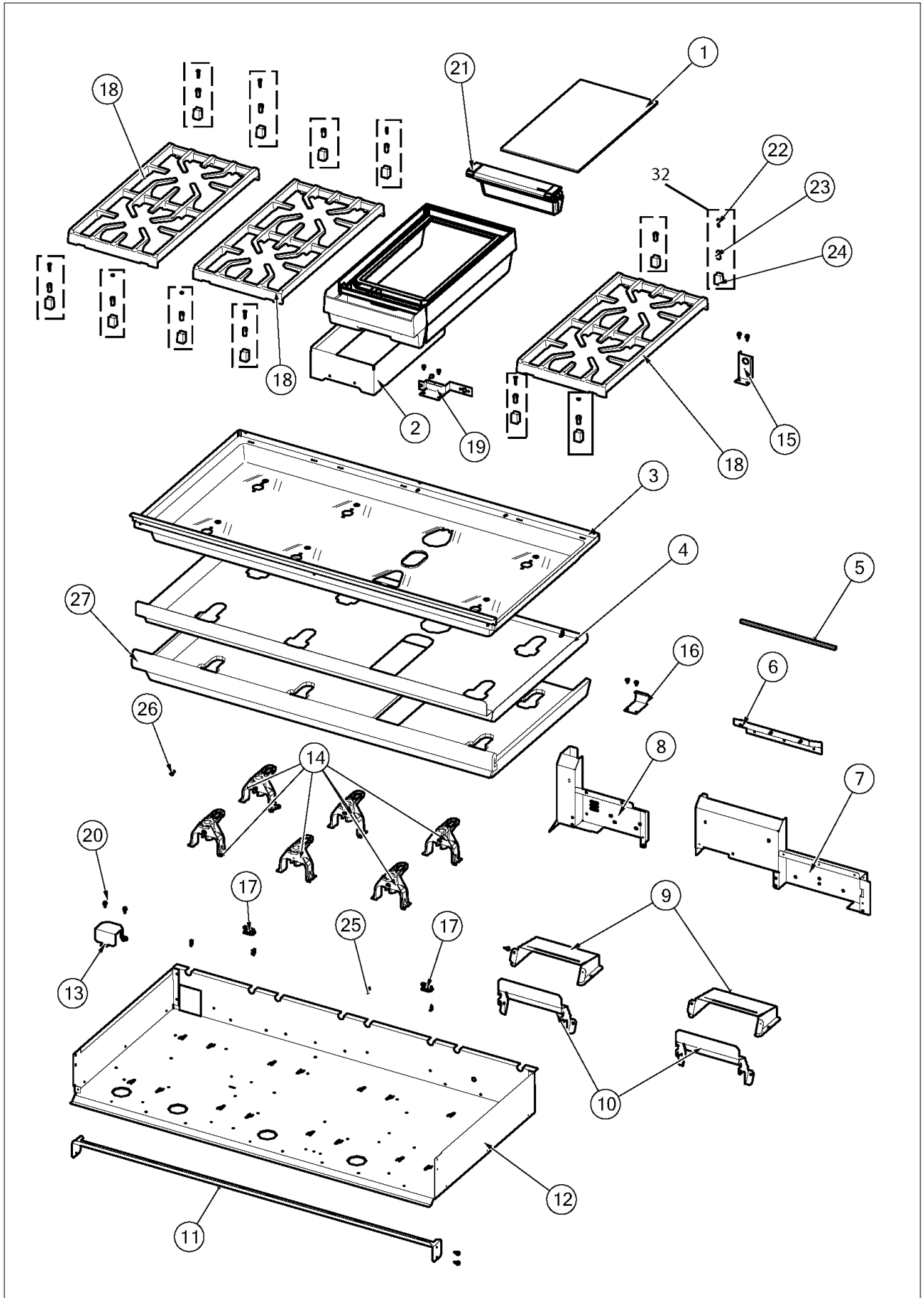


Item	Part No.	Name	Qty	Uom	NOTES
30	066953-008	DOOR, OS, KIT, DECARB, 30" ASM BU	1	EA	
30	066953-013	DOOR, OS, KIT, DECARB, 30" ASM CB	1	EA	
30	066953-024	DOOR, OS, KIT, DECARB, 30" ASM AR	1	EA	

SURFACE



Item	Part No.	Name	Qty	Uom	NOTES
1	044873-000	PLATE, 10", GRIDDLE.	1	EA	
2	046854-000	SHIELD, HEAT	1	EA	
3	049053-402	PAN, BNR, SHIM, ASM, BLK, 48" GRIDDLE	1	EA	
4	049749-000	TRAY, INSULATION, BURNER PAN, GRIDDLE, 48"	1	EA	
5	028325-200	ADHESIVE GASKET, 1/4" X 3/8"	1	EA	
6	047816-000	DIVERTER, WATER, DUMP	1	EA	
7	043851-000	DUCT, RH, ADJUSTABLE, DIVERTER, AIR	1	EA	
8	043861-000	DUCT, LH, ADJUSTABLE, DIVERTER, AIR	1	EA	
9	049753-000	SHIELD, HEAT, HARNESS, BTM	2	EA	
10	049964-000	SHIELD, HEAT, HARNESS, TOP	2	EA	
11	049728-000	BRACKET, MTG, 48" CONTROL PANEL	1	EA	
12	043766-000	BOX, BNR, 48"	1	EA	
13	048188-000	BRACKET, TEE, PIPE	1	EA	
14	044486-000	SUPPORT, HLDR, JET	6	EA	
15	045888-000	BRKT, GRDL	1	EA	
16	045840-000	BURNER, HOLDER, REAR	1	EA	
17	045548-000	CLIP, ROUTING, WIRE	2	EA	
18	042545-000	GRATE, CAST, 12"	3	EA	
19	045843-000	BRKT, BURNER, SPT	1	EA	
20	003860-000	FASTENER,SCR,HXWH,STL,ZP LT,10-18 x .500	1	EA	
21	066839-000	TROUGH, GRS, GRIDDLE, ASM	1	EA	
22	049534-000	SCREW, 8-32 X 3/4, PHIL, FLAT	12	EA	
Not Shown	NOTE	(MUST ORDER ITEM 32)		EA	
23	046873-000	SILENCER, GRATE	12	EA	
Not Shown	NOTE	(MUST ORDER ITEM 32)		EA	
24	042410-000	SUPPORT, GRATE	12	EA	
Not Shown	NOTE	(MUST ORDER ITEM 32)		EA	
25	050610-000	SADDLE, WIRE, EDGE, .46 X .29	8	EA	





Item	Part No.	Name	Qty	Uom	NOTES
26	PD020068	' #10 - 32 X 1/2"TRUSS. PHIL. M.*SS*	1	EA	
27	049776-000	INSULATION, LINER, GRIDDLE, BURNER PAN, 48"	1	EA	
28	058147-000	GRATE, LEG, ASSY, PHASE 2 (BLK)	12	EA	
Comments for Part Num. 058147-000					
gboltz@VikingRange.com on Jun 6, 2016					
See parts bulletin 2016-03P Grate support changes					
NI	014143-000	SCR 10-12 A SHLD TRP 1/2 S ZN BLUE		EA	
NI	048961-000	STANDOFF, TWIST LOCK, TALL	9	EA	
NI	037304-000	FASTENER, PNH, TORX, AB, PSVD, WAX		EA	
NI	047069-000	BASE, SUMP, GRIDDLE, ASM.	1	EA	



Appendix A:Pages Index

BASE 1
CONTROL 2
DECOR 3
ELECTRICAL - 1 4
ELECTRICAL - 2 5
ELECTRICAL - 3 6
GAS 7
LH DOOR 8
RH DOOR 9
SURFACE 10



Appendix B:Parts Index

000594-000	8, 9	014143-000	1, 3, 10
002728-000	9	017697-000	1
002884-000	7	017699-000	1
003011-000	8, 9	017701-000	1
003012-000	8, 9	017752-000	9
003333-000	1	018607-000	4
003490-000	1	018608-000	4
003801-000	3	020403-000	4
003860-000	1, 3, 4, 10	023024-000	4
004152-000	9	024102-000	3
004153-000	9	024221-000	1
004285-000	1	024234-000	1
004526-000	8, 9	024494-000	8
004907-000	8, 9	027968-000	2
005300-000	8	028312-000	4
005311-000	4	028324-000	4
006166-000	4	028325-200	10
006168-000	4	030823-000	8, 9
006176-000	1	032857-000	1
006207-000	8	033588-000	1
006209-000	8	036047-000	4
006220-000	1	037304-000	1, 1, 4, 10
006221-000	8	038417-000	4
006379-000	3	038655-000	5
006380-000	4	039293-000	4
006748-000	1	041046-000	3
007008-000	4	042253-000	3
007147-000	7	042375-000	3
008880-000	4	042402-000	4
008882-000	4	042410-000	10
008883-000	4	042545-000	10
009111-000	4	042558-000	2
009426-000	8	042771-000	2
009645-000	4	042797-000	3
013213-000	4	043065-000	4
013406-000	6	043067-000	4
013547-000	1, 8, 9	043134-000	7
013558-000	8, 9	043135-000	4
013564-000	1	043158-000	7
013567-000	8, 9	043208-000	7
		043249-000	7



043251-000	7	045548-000	1, 10
043453-000	4	045550-000	1
043675-000	7	045594-000	4
043763-000	1	045725-000	2
043765-000	1	045840-000	10
043766-000	10	045843-000	10
043790-000	7	045888-000	10
043791-000	7	045932-000	4
043800-000	1	046020-000	5
043851-000	10	046021-000	5
043861-000	10	046065-000	1
043864-000	1	046119-000	7
043866-000	1	046133-000	7
043907-000	1	046142-571	4
044044-000	1	046184-000	7
044178-000	3	046197-000	7
044195-000	4	046283-000	4
044321-000	7	046399-000	7
044322-000	7	046546-000	9
044323-000	7	046547-000	9
044325-000	7	046548-000	8
044485-000	7	046549-000	8
044486-000	10	046595-000	1
044487-000	7	046651-000	1
044512-000	2	046853-000	1
044587-000	2	046854-000	10
044588-000	2	046873-000	10
044607-000	4	046908-000	7
044686-000	7	046964-000	7
044688-000	7	047055-000	1
044693-000	4	047069-000	10
044796-000	1	047730-000	3
044818-000	1	047732-000	3
044824-000	7	047798-000	1
044832-000	7	047806-000	1
044838-000	1	047812-000	1
044862-000	1	047813-000	1
044873-000	10	047814-000	3
044937-000	2	047816-000	10
045060-000	1	047823-000	3
045528-000	4	047826-000	1



047827-000	1	049551-005	3
047831-000	1	049551-006	3
047841-000	1	049551-008	3
048029-000	7	049551-012	3
048188-000	10	049551-013	3
048194-000	1	049551-022	3
048195-000	1	049551-024	3
048199-000	1	049551-051	3
048200-000	1	049551-052	3
048309-000	2	049551-054	3
048326-000	2	049552-002	3
048347-000	4	049552-005	3
048457-000	1	049552-006	3
048458-000	1	049552-008	3
048460-000	1	049552-012	3
048627-000	3	049552-013	3
048639-000	1	049552-022	3
048644-000	1	049552-024	3
048646-000	1	049552-051	3
048809-000	4	049552-052	3
048831-000	4	049552-054	3
048838-000	1	049728-000	10
048862-2668	2	049738-002	3
048961-000	10	049738-005	3
048962-000	1	049738-006	3
049011-000	9	049738-008	3
049013-402	9	049738-012	3
049016-000	8	049738-013	3
049018-402	8	049738-022	3
049047-000	5	049738-024	3
049053-402	10	049738-051	3
049310-000	5	049738-052	3
049430-000	4	049738-054	3
049431-000	6	049749-000	10
049432-000	4	049753-000	10
049433-000	4	049755-000	1
049463-000	4	049776-000	10
049484-000	1	049784-000	1
049485-000	1	049785-000	1
049534-000	10	049964-000	10
049551-002	3	050081-000	6



050302-000	1	PB020275	1
050610-000	10	PB040050	7
051580-000	1	PB040192	7
051590-000	1	PB040213	7
051595-000	1	PC030007	1
051790-000	7	PD010012	7
052892-000	3	PD020006	4
053356-000	7	PD020010	1
053357-000	7	PD020032	2, 3, 8, 9
054057-000	1	PD020046	2
056256-000	7	PD020063	8, 9
056458-000	7	PD020067	4
057872-000	4	PD020068	10
058147-000	10	PD020073	8, 9
066226-402	3	PD020232	3
066227-402	3	PD020269	2
066839-000	10	PD030006	8
066953-002	9	PD030172	4
066953-005	9	PD040164	4
066953-006	9	PE010030	8
066953-008	9	PE050206	4
066953-013	9	PE060094	9
066953-024	9	PE070147	4
066956-002	8	PE070739	6
066956-005	8	PJ010047	4
066956-006	8	PJ010048	4
066956-008	8	PJ030033	4
066956-013	8	PJ030035	4
066956-024	8	PM010014	1
A2002195	1		
A2009697	1		
E9109655	1		
G32014020	4		
M0211021	4		
PA020028	4		
PA020058	4		
PB020116	7		
PB020126	7		
PB020127	7		
PB020191	7		
PB020198	7		