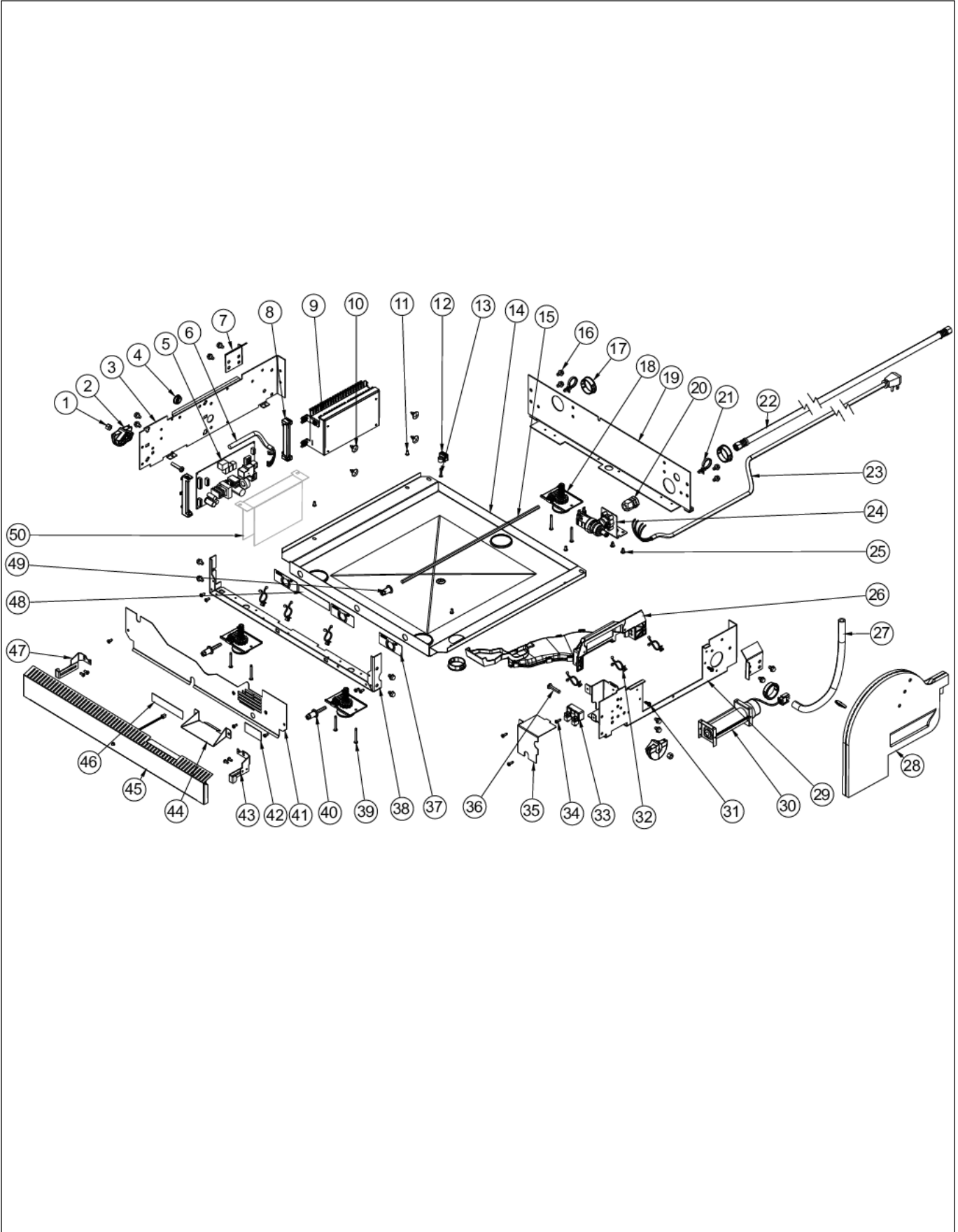


VDB451

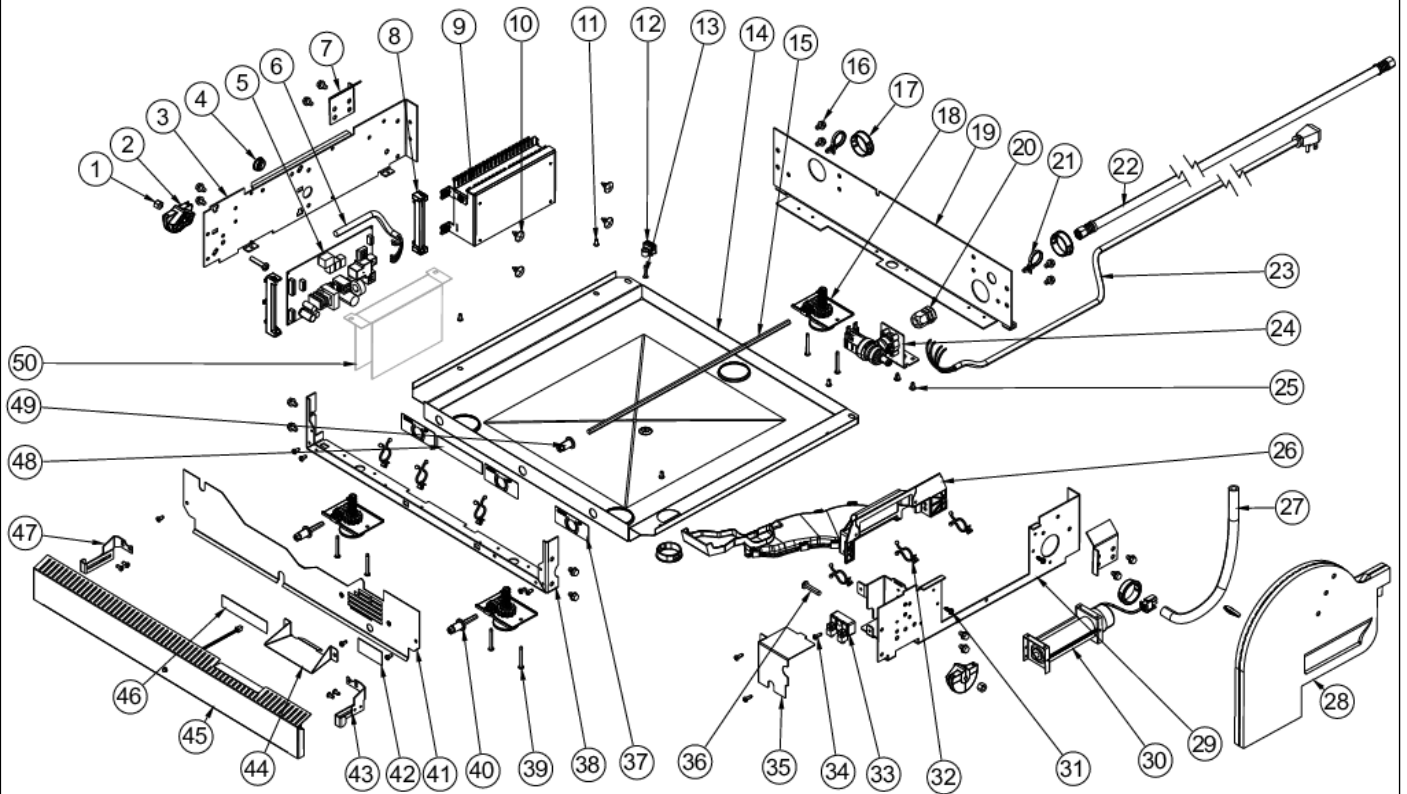
BASE	1
BASKETS	2
BOTTOM WELL	3
CABINET AREA	4
CONTROL PANEL	5
DOOR	6
INSTALLATION	7
WASH SYSTEM	8
VDB451 Wiring	9
Appendix A:Pages Index	A
Appendix B:Parts Index	B

BASE



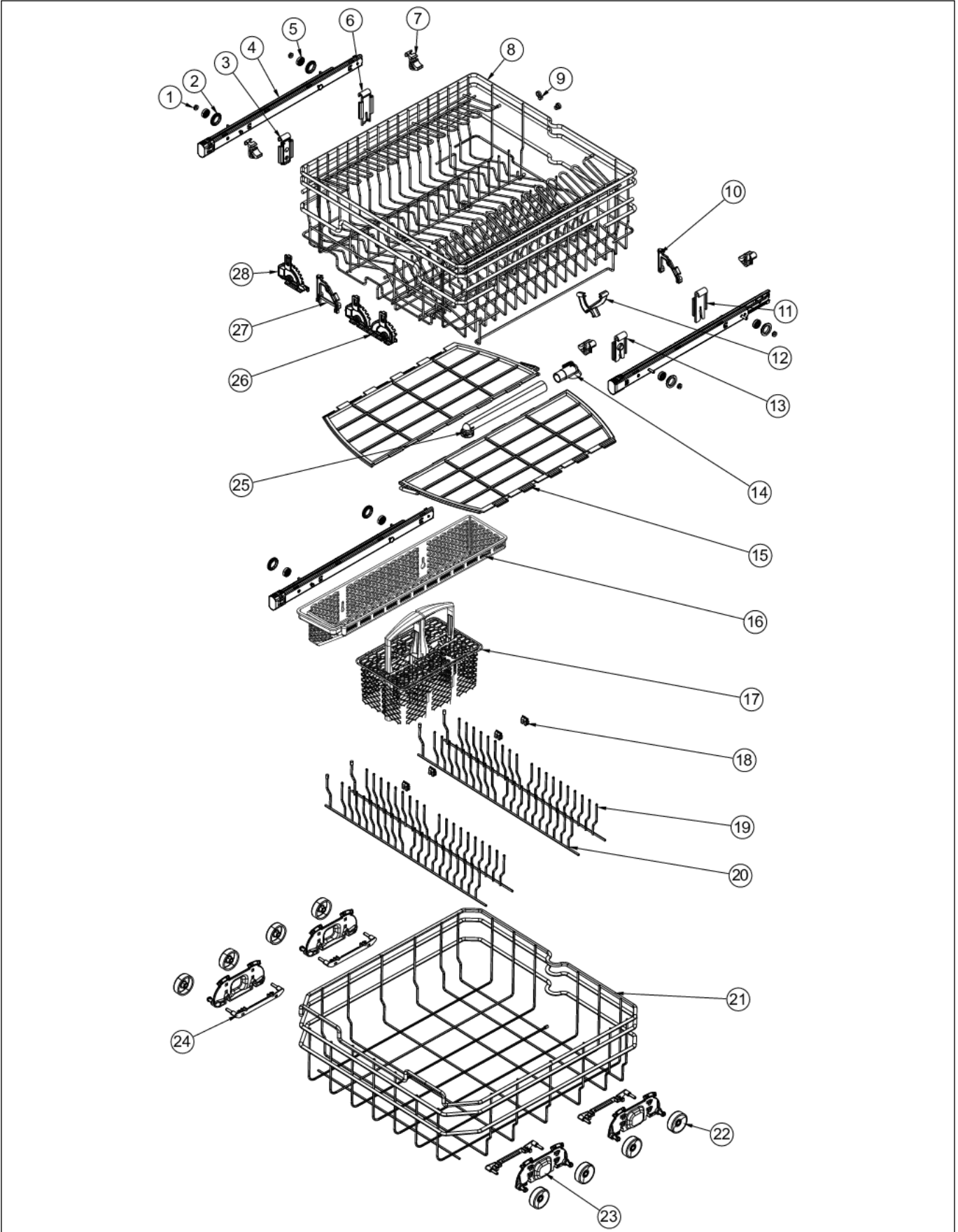


Item	Part No.	Name	Qty	Uom	NOTES
1	PD030179	1/4-20 HEX NYLON INSERT LOCK NUT	2	EA	
2	PM810488	DOOR DAMPENER PULLEY	2	EA	
3	024130-000	BASE, SIDE, LEFT	1	EA	
4	033492-000	BUSHING, HEYCO #2862	1	EA	
5	031421-000	CONTROLLER, MACHINE, DISHWASHER-ELAN'	1	EA	
6	040876-000	HARNESS, VENT	1	EA	
7	023975-000	CLAMP, TUB, REAR	2	EA	
8	PK030541	MOUNT, MACHINE CONTROLLER	2	EA	
9	051144-000	MOTOR CONTROL BOARD SERVICE KIT	1	EA	
10	PC040020	NYLON TREE PUSH-IN RIVETS	4	EA	
11	PD020249	SCREW, #8-18 X 3/8, TYPE B, TORX, PAN HEAD, ZINC, BLUNT	15	EA	
12	PE050229	FLOOD SENSOR	1	EA	
13	PD020236	SCREW, #8 - 16 X 3/4, TORX, FLAT HEAD, HI-LO, 304SS	1	EA	
14	024147-000	PAN, BASE, BOTTOM	1	EA	
15	PM810495	HEX BAR	1	EA	
16	PD020255	1/4-20 X 3/8 HEX WSHR THD CUT ZINC	16	EA	
17	PD040163	BUSHING, POWER CORD	4	EA	
18	G5088830	LEG LEVELING SYSTEM ASSEMBLY	3	EA	
19	024041-000	BRACKET, BASE, REAR	1	EA	
20	PE070209	STRAIN RELIEF	1	EA	Not available online / Call for pricing and availability
21	006575-000	TIE WRAP	3	EA	
22	007564-000	HOSE, WATER FILL, 5-FOOT	1	EA	
23	005033-000	POWER CORD-90 DEGREE	1	EA	
24	029377-000	WATER VALVE ASSEMBLY S-101D	1	EA	
25	PD020250	SCREW; #10-32 X 3/8 TORX, PAN, ZINC, TYPE F	2	EA	

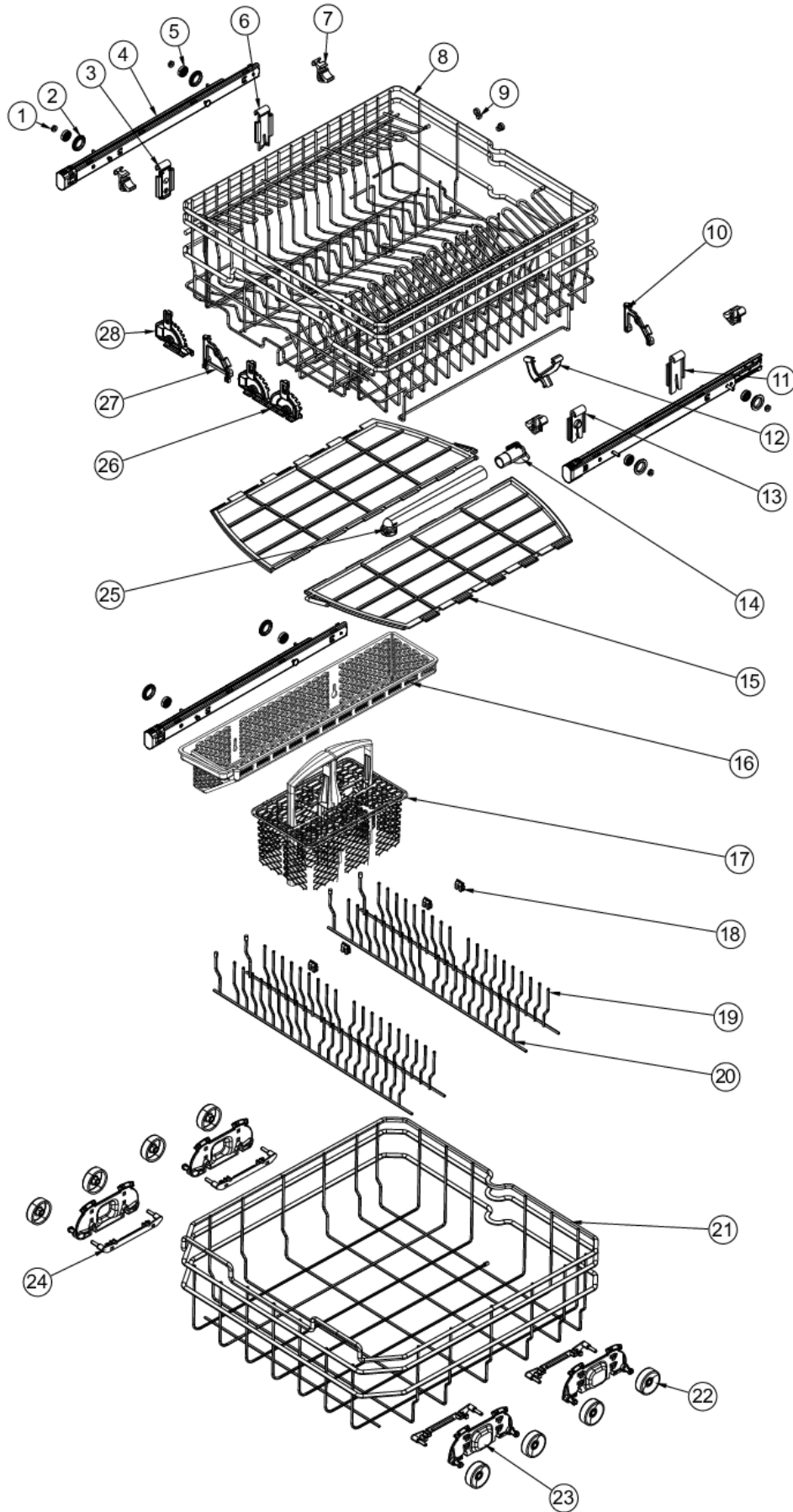


Item	Part No.	Name	Qty	Uom	NOTES
26	029375-000	DRY SYSTEM DUCT, UPPER, LOWER, ASSY	1	EA	
27	034959-000	HOSE, 12" INL. VALVE TO AIR/WATER INLET	1	EA	
28	035164-000	A/W INLET ASSY W/GASKET, 451-GRAPHITE GRAY	1	EA	
29	024143-000	BASE, RIGHT SIDE ASM- 451	1	EA	
30	034448-000	BLOWER, NC30, NCB, 30X106 R DC K317	1	EA	
31	034768-000	#8 X 1/2" TORX PAN HD PLASTITE ZINC PLATED SCREW	2	EA	
32	001796-000	RETAINER, HARNESS	6	EA	
33	PE070708	TERMINAL BLOCK	1	EA	
34	PD020214	SCREW, TYPE F, PAN, TORX, ZINC, 8-32 X 0.5"	3	EA	
35	024015-000	COVER, TERMINAL BLOCK	1	EA	
36	PD020265	1/4-20 x 1 1/4 TORX PAN HD MACHINE SCREW	2	EA	
37	PF031283	LABEL, LEVELING ARROWS	3	EA	
38	023534-000	BASE, FRONT	1	EA	
39	PD020215	SCREW, TYPE F, PAN, TORX, ZINC, 8-32 X 1.5", BLUNT	6	EA	
40	PK830395	HEX HEAD ADJUSTER, FRONT	2	EA	
41	025270-000	PANEL, BASE, FR BR	1	EA	
42	032718-000	LABEL, WARNINIG, KICK PLATE	1	EA	
43	010851-000	BRACKET, ADJUSTABLE TOE KICK, RIGHT, ASSY	1	EA	
44	035263-000	EXHAUST, EXTENSION DUCT-451a	1	EA	NO LONGER AVAILABLE
45	031515-000	KICKPLATE, BLACK, ASSY- 451	1	EA	
46	NON-SERVICEABLE	LABEL, CAUTION, AIRFLOW	1	EA	
47	010850-000	BRACKET, ADJUSTABLE TOE KICK, LEFT, ASSY	1	EA	
48	032720-000	LABEL, CAUTION, LEVELING LEGS	1	EA	
49	PK830366	HEX HEAD ADJUSTER, REAR	1	EA	
50	PB070338	SHIELD, DIELECTRIC	1	EA	

BASKETS



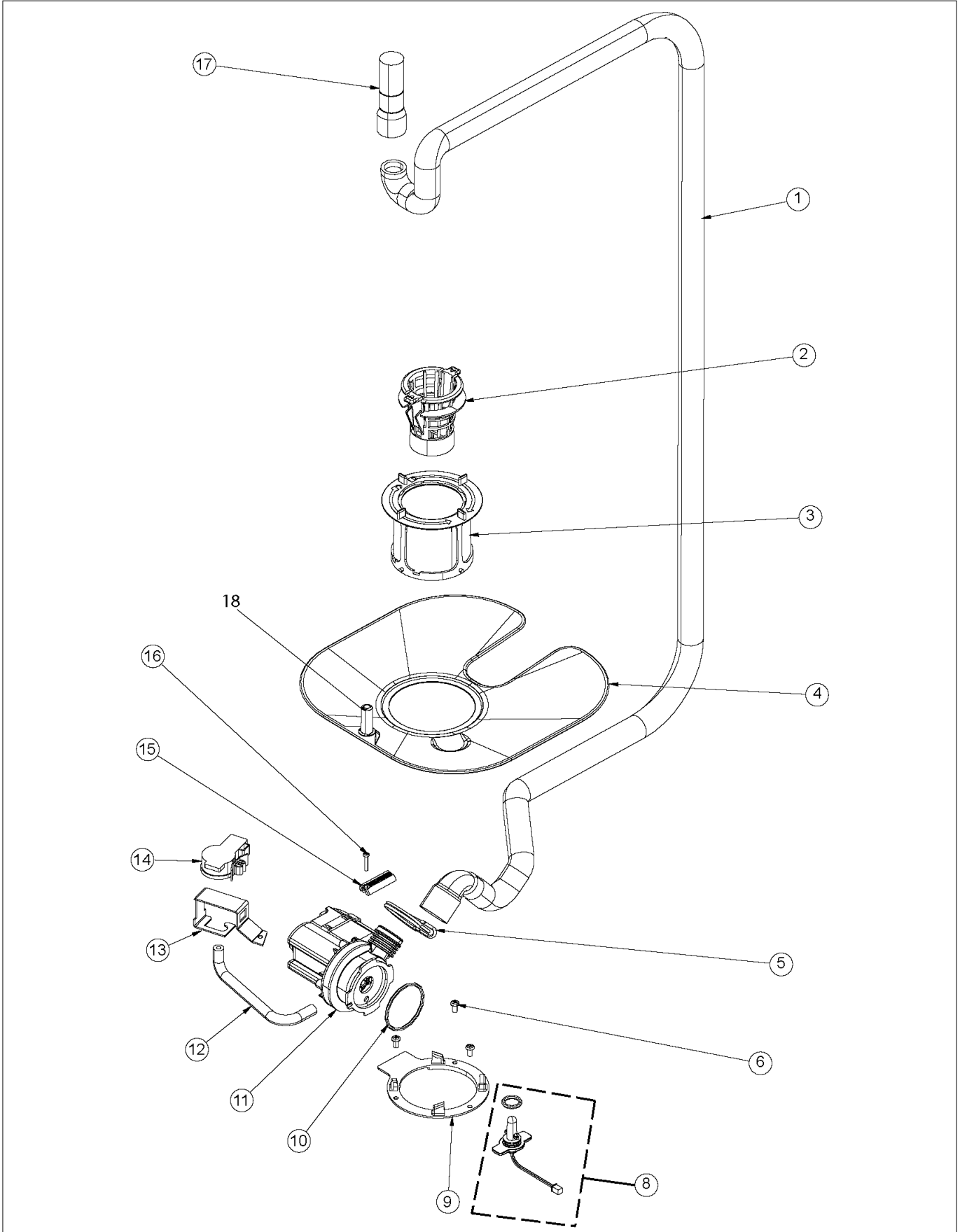
Item	Part No.	Name	Qty	Uom	NOTES
1	PD030156	NUT, W/TOOTHWASHER, ZINC, 10-32	4	EA	
2	PK030536	SLEEVE, SPACER	6	EA	
3	034201-000	CLIP, RACK SLIDE, GRAPHITE GRAY-LF	1	EA	
4	037726-000	SLIDE, RACK ASSY- W/END CAP	3	EA	
5	PK030448	RACK SLIDE SPACER	6	EA	
6	034202-000	CLIP, RACK SLIDE, GRAPHITE GRAY-LR	1	EA	
7	036571-000	SUPPORT, SHELF END, GRAPHITE GRAY	1	EA	
8	035235-000	UPPER RACK ASSEMBLY- 451 - NLA	1	EA	
9	015249-000	TIE WRAP, 8 X 0.13, 40 LBS, WEATHER RESISTANCE, BK	2	EA	
10	034214-000	DISH GUARD SUPPORT, REAR-GRAPHITE GRAY	1	EA	
11	034204-000	CLIP, RACK SLIDE, GRAPHITE GRAY-RR	1	EA	
12	034211-000	MIDDLE SPRAY ARM BRKT-GRAPHITE GRAY	1	EA	
13	034203-000	CLIP, RACK SLIDE, GRAPHITE GRAY-RF	1	EA	
14	034213-000	COUPLING, ADJ PORT-GRAPHITE GRAY	1	EA	
15	PK830249	Part is no longer available	2	EA	
16	027495-000	BASKET, SIDE	1	EA	
17	G5088897	SILVERWARE BASKET ASSEMBLY	1	EA	
18	034210-000	DISH RACK CLIP-GRAPHITE GRAY	4	EA	
19	039615-000	TINE, LOWER 19 B ASSY - REFRESH	2	EA	
20	039614-000	TINE, LOWER 19 A ASSY, REFRESH	2	EA	
21	034639-000	LOWER RACK ASSEMBLY- 451	1	EA	
22	PC030032	WHEEL RACK	8	EA	
23	003478-000	LOWER RACK WHEELS BRACKET	4	EA	
24	003479-000	LOWER RACK WHEELS BRACKET RETAINER	4	EA	





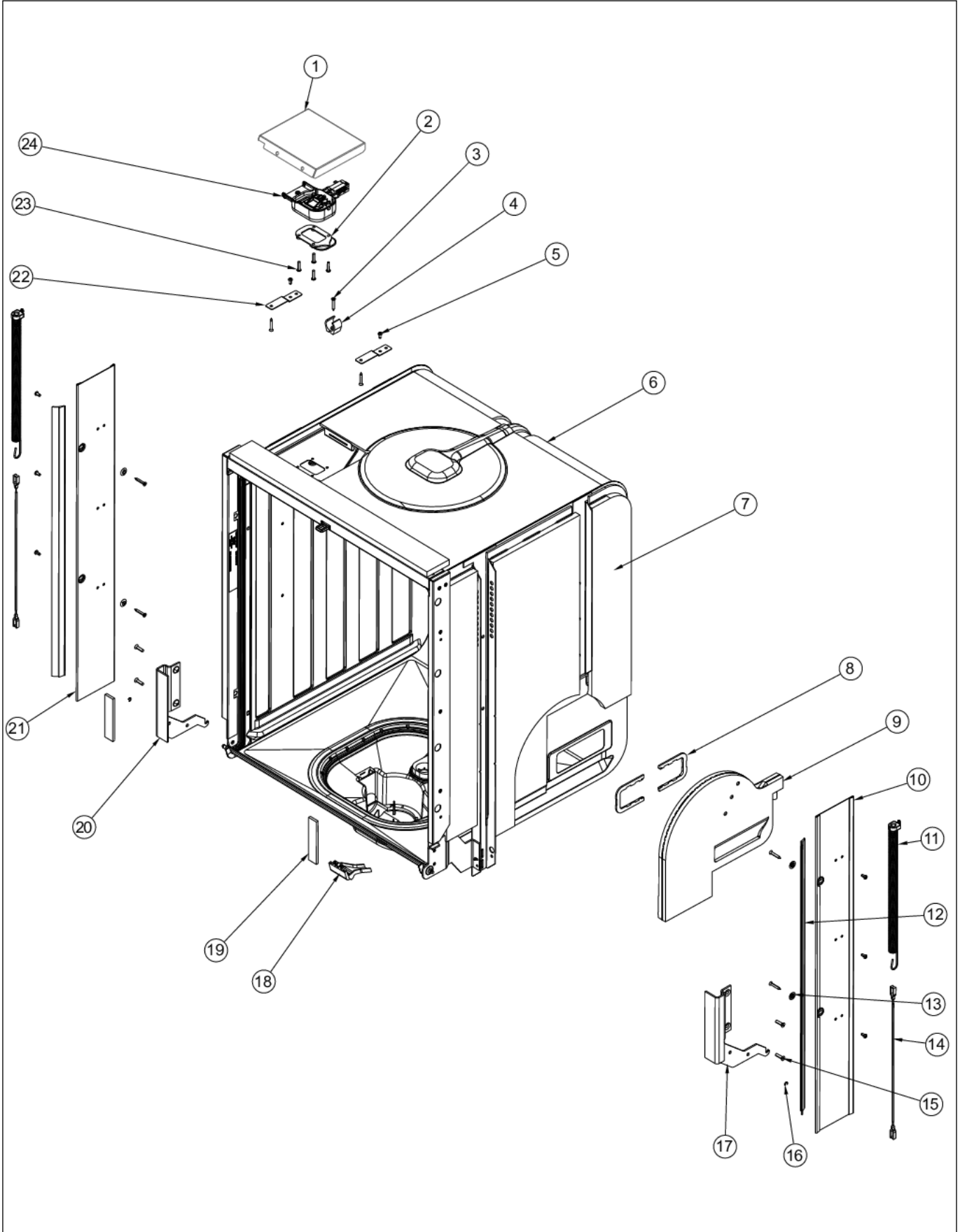
Item	Part No.	Name	Qty	Uom	NOTES
25	034212-000	CONDUIT, SPRAY ARM- GRAPHITE GRAY	1	EA	
26	003151-000	FLEXO-DIVIDER, DOUBLE	1	EA	
27	034218-000	HANGER, DISH GUARD CLIP,FRONT-GRAPHITE GRAY	1	EA	
28	003150-000	FLEXO-DIVIDER, SINGLE	1	EA	

BOTTOM WELL



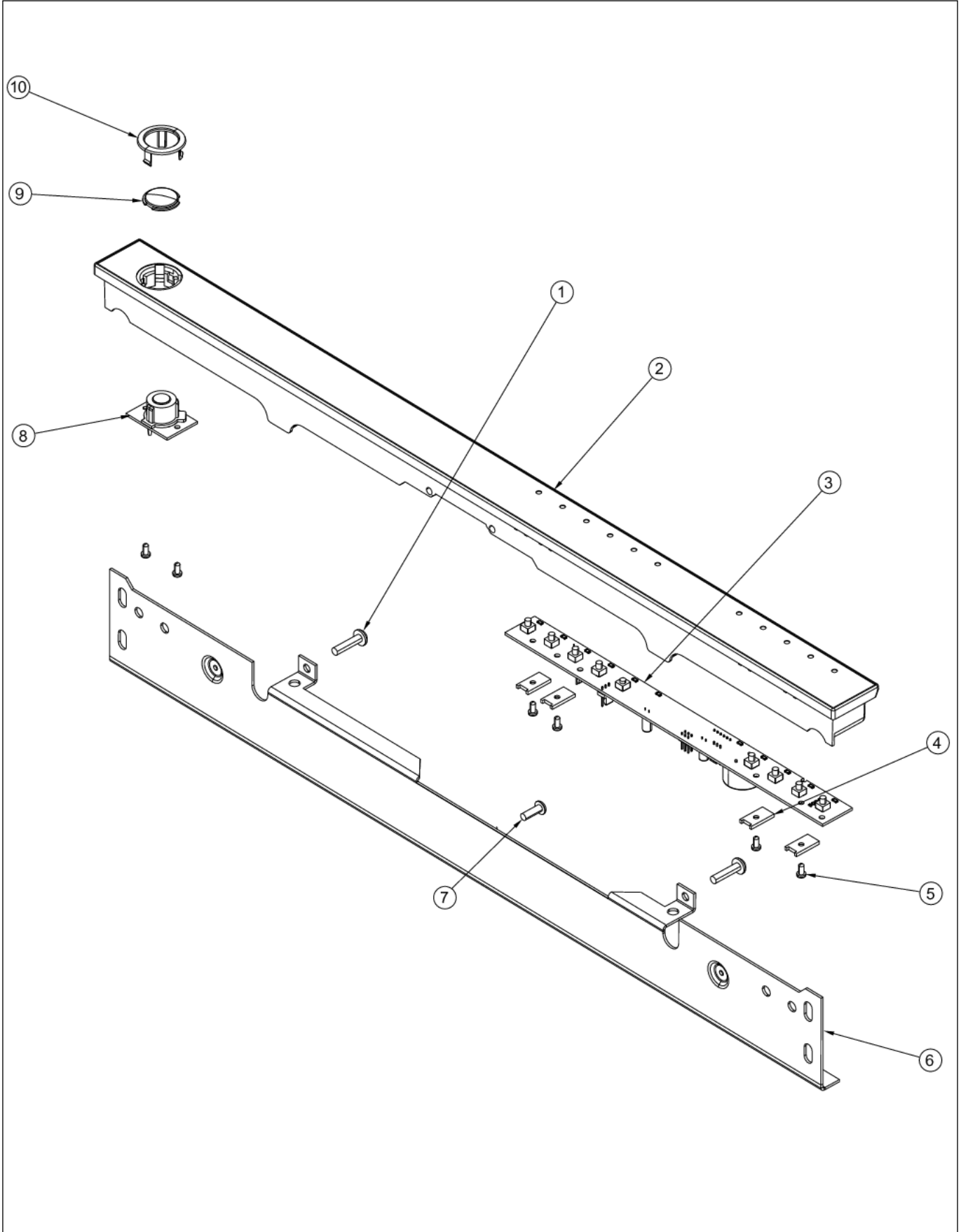
Item	Part No.	Name	Qty	Uom	NOTES
1	PB820205	HOSE, DRAIN	1	EA	
2	PB880032	TRAP, GLASS	1	EA	
3	G5088865	FINE FILTER ASSEMBLY	1	EA	
4	035205-000	FILTER, PRIMARY ASSY-301/451	1	EA	
5	PD030164	CLAMP, DOUBLE WIRE, HOSE, .126	1	EA	
6	009039-000	SCREW, #10 X 3/8 PHIL PAN HD PLASTITE 18-8 PASSIVATED	1	EA	Not available online / Call for pricing and availability
8	020784-000	TEMPERATURE SENSOR ASSY W/O-RING	1	EA	
9	034273-000	FILTER LOCKING PLATE	1	EA	
10	PB870195	O-RING, DRAIN PUMP	1	EA	
11	006521-000	PUMP, DRAIN ASM	1	EA	
12	019416-000	HUBA ASM, DISHWASHER	1	EA	
13	006985-000	BRACKET, PRESSURE SENSOR - NLA	1	EA	
14	PD160016	PRESSURE SENSOR (8073839)	1	EA	
<p>Comments for Part Num. PD160016</p> <p>gboltz@VikingRange.com on Jan 7, 2016 Order antifret to go with the pressure sensor, antifret part # 019313-000 bradleysapplianceservice@shaw.ca on Aug 19, 2016 ACCORDING TO VIKING PARTS, WHEN ORDERING 019313-000 ANTI-FRETTING LUBRICANT, THEY STATE THAT THIS IS NO LONGER AVAILABLE AND TO SOURCE THIS FROM A LOCAL AUTO PARTS STORE.</p>					
15	PK830239	DRAIN FILTER	1	EA	
16	PD020245	SCREW, #6-19 X 3/4 TORX, PAN HEAD, PLASTITE, 304SS	1	EA	
17	PB820205	HOSE, DRAIN	1	EA	
18	034279-000	CAP, FILTER, GRAPHITE GRAY-301/451	1	EA	

CABINET AREA



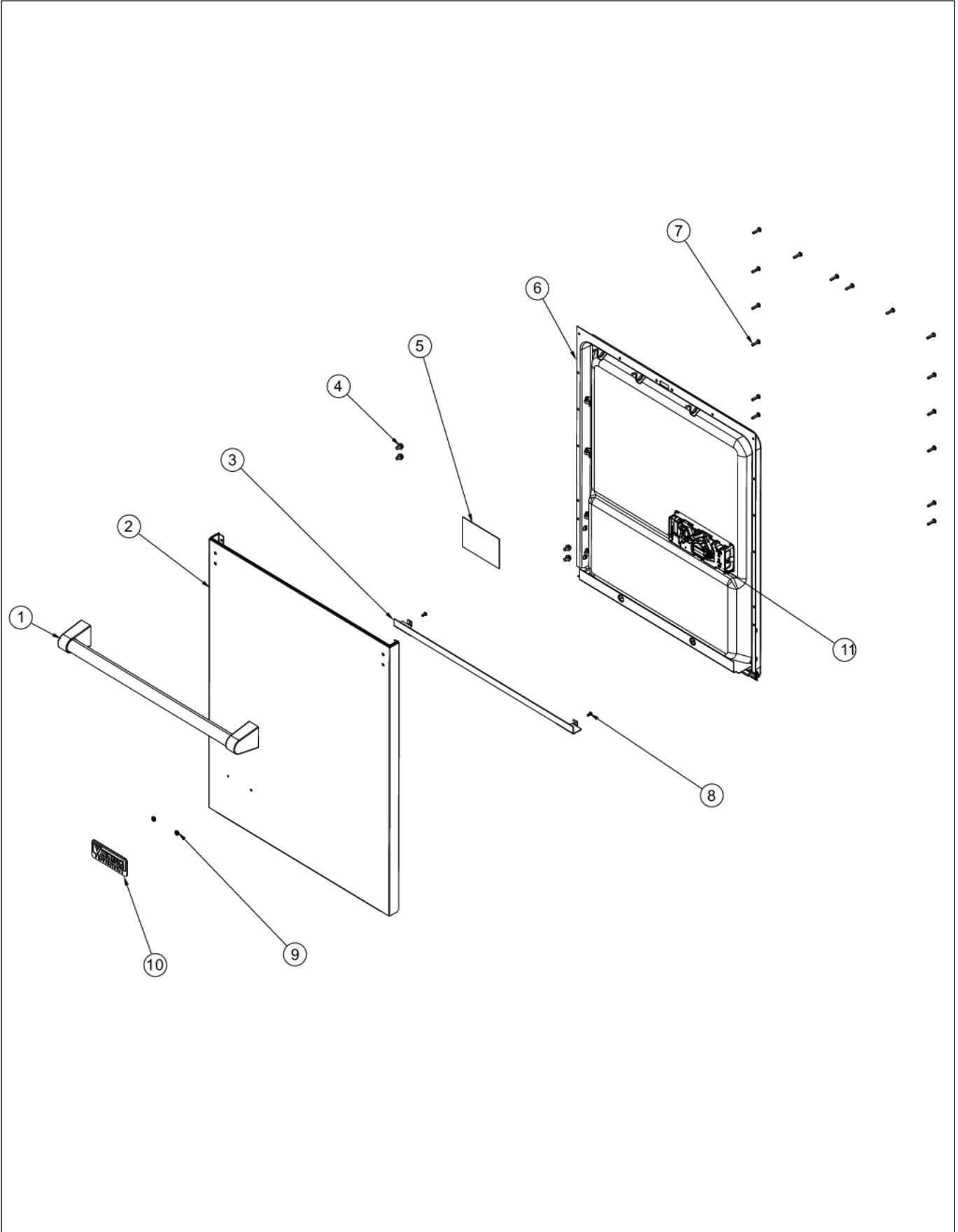
Item	Part No.	Name	Qty	Uom	NOTES
1	030861-000	COVER, ACTIVE VENT	1	EA	
2	PK030443	SPLASH GUARD SPACER	1	EA	
3	001470-000	SCREW; #8, 18-8SS, FLAT HEAD, TORX, WOOD	7	EA	
4	002547-000	BRACKET, FLEX MTG	1	EA	
5	PD020249	SCREW, #8-18 X 3/8, TYPE B, TORX, PAN HEAD, ZINC, BLUNT	8	EA	
6	NON-SERVICEABLE	TUB WELDMENT	1	EA	
7	NON-SERVICEABLE	SOUND ABSORBER PACKAGE-451	1	EA	
8	034277-000	LOCK, AIR & WATER INLET, GRAPHITE GRAY	2	EA	
9	035164-000	A/W INLET ASSY W/GASKET, 451-GRAPHITE GRAY	1	EA	
10	036052-000	Trim, Extn, RH	1	EA	
11	002298-000	DAMPENER ASSEMBLY, DOOR	2	EA	
12	013449-000	EDGING, MOUNTING TRIM, 325	2	EA	
13	000079-000	BUTTON,RTNR	4	EA	
14	PM810487	DOOR DAMPENER CABLE	2	EA	
15	PD020263	SCREW; 10-32 x 5/8 TORX, FLAT HD, MACHINE, 18-8SS	4	EA	
16	000124-000	RING, RTNG, CLIP, ZPLT	2	EA	
17	C93813632	HINGE, DOOR RIGHT PLATED	1	EA	
18	031706-000	CHANNEL, OVERFLOW INSERT, SHORT-WHITE	1	EA	
19	033563-000	FOAM, SPRING DAMPENER	2	EA	
20	C93813631	HINGE, DOOR LEFT PLATED	1	EA	
21	036051-000	Trim, Extn, LH	1	EA	
22	000572-000	CLIP, MTG	2	EA	
23	009613-000	#8-18 x 3/4" PASSIVATED HIGH-LOW SCREW	4	EA	
24	031322-000	ACTIVE VENT, ASSY	1	EA	

CONTROL PANEL



Item	Part No.	Name	Qty	Uom	NOTES
1	033411-000	#6 X 0.75 PLASTITE SCREW W/#8 TORX TRUSS HD	2	EA	
2	033315-000	OVERLAY ASSEMBLY- 451	1	EA	
3	031424-000	USER INTERFACE, PROGRAMMED- 451	1	EA	
4	031187-000	FASTENER, UBS, UI	4	EA	
5	PD020197	SCREW, HI-LOW, PAN, TORX, ZINC, 4-20 X 0.25"	6	EA	
6	032814-000	BRACE, HANDLE, DOOR	1	EA	
7	008987-000	SCREW, #8 x 1/2" PAN TORX ZINC HIGH-LOW	1	EA	
8	029931-000	SWITCH, START, ASM	1	EA	
9	030795-000	BUTTON, COVER	1	EA	
10	030796-000	RING, BEZEL	1	EA	
NI	029427-000	OVERLAY, USERV INTERFACE, 451	1	EA	

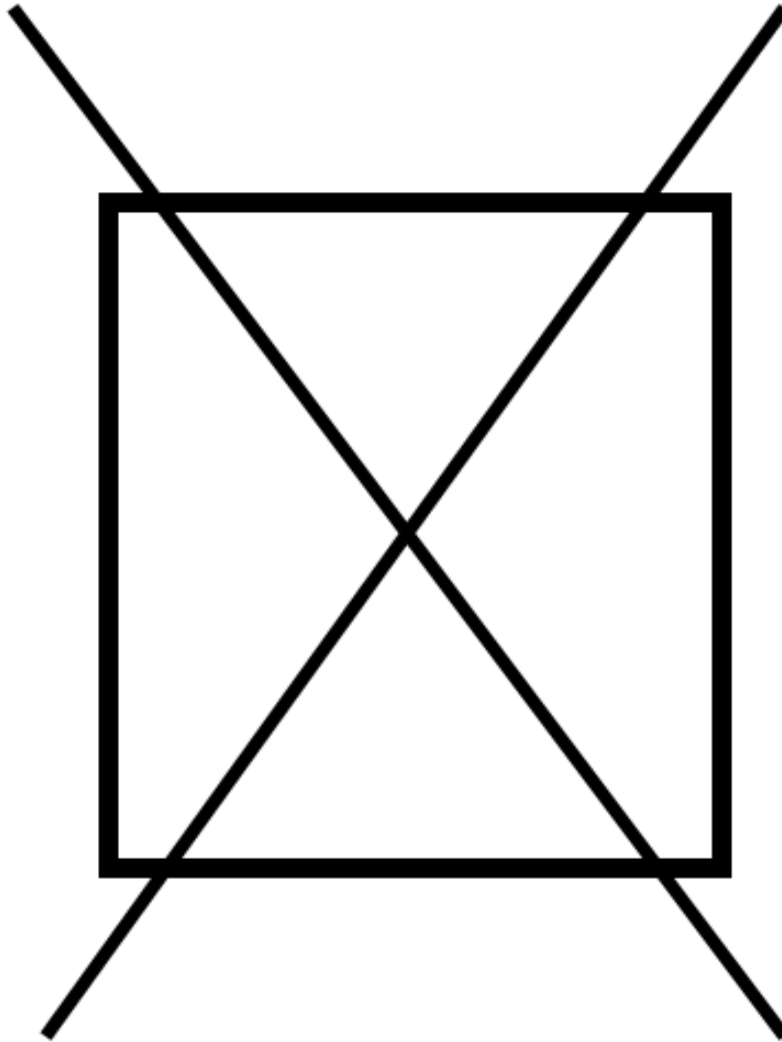
DOOR





Item	Part No.	Name	Qty	Uom	NOTES
1	034824-000	HANDLE, PANEL, ASM	1	EA	
2	027458-000	DISH DOOR PANEL, SS	1	EA	
2	035058-002	SKIN, DOOR, PRO, BLACK	1	EA	
2	035058-006	SKIN, DOOR, PRO, WHITE	1	EA	
3	031062-000	BRACKET, DOOR, SPREADER	1	EA	
4	PD010019	BLT-1/4-20X3/8"HEX WASHER SERATED	4	EA	
5	031065-000	LABEL, USA LOCAL LARGE	1	EA	
6	035114-000	DOOR, INNER, ASSY, W/BITUMEN-301	1	EA	
7	033411-000	#6 X 0.75 PLASTITE SCREW W/#8 TORX TRUSS HD	14	EA	
8	PD020249	SCREW, #8-18 X 3/8, TYPE B, TORX, PAN HEAD, ZINC, BLUNT	2	EA	
9	PD030006	CAPPED WASHER PAL NUT	2	EA	
10	PE010016	LOGO (ALL RANGES) *BK/CHR 307997W	1	EA	
10	PE010017	LOGO (VGSO,VEDO,VGDO,VUD) *WH/CHR	1	EA	
11	039000-000	SLIDE SOAP DISPENSER	1	EA	
NI	013380-000	DOOR LATCH	1	EA	
NI	014072-000	SEAL, DOOR, LOWER	1	EA	
NI	025033-000	DOOR WIPER, 6"	1	EA	

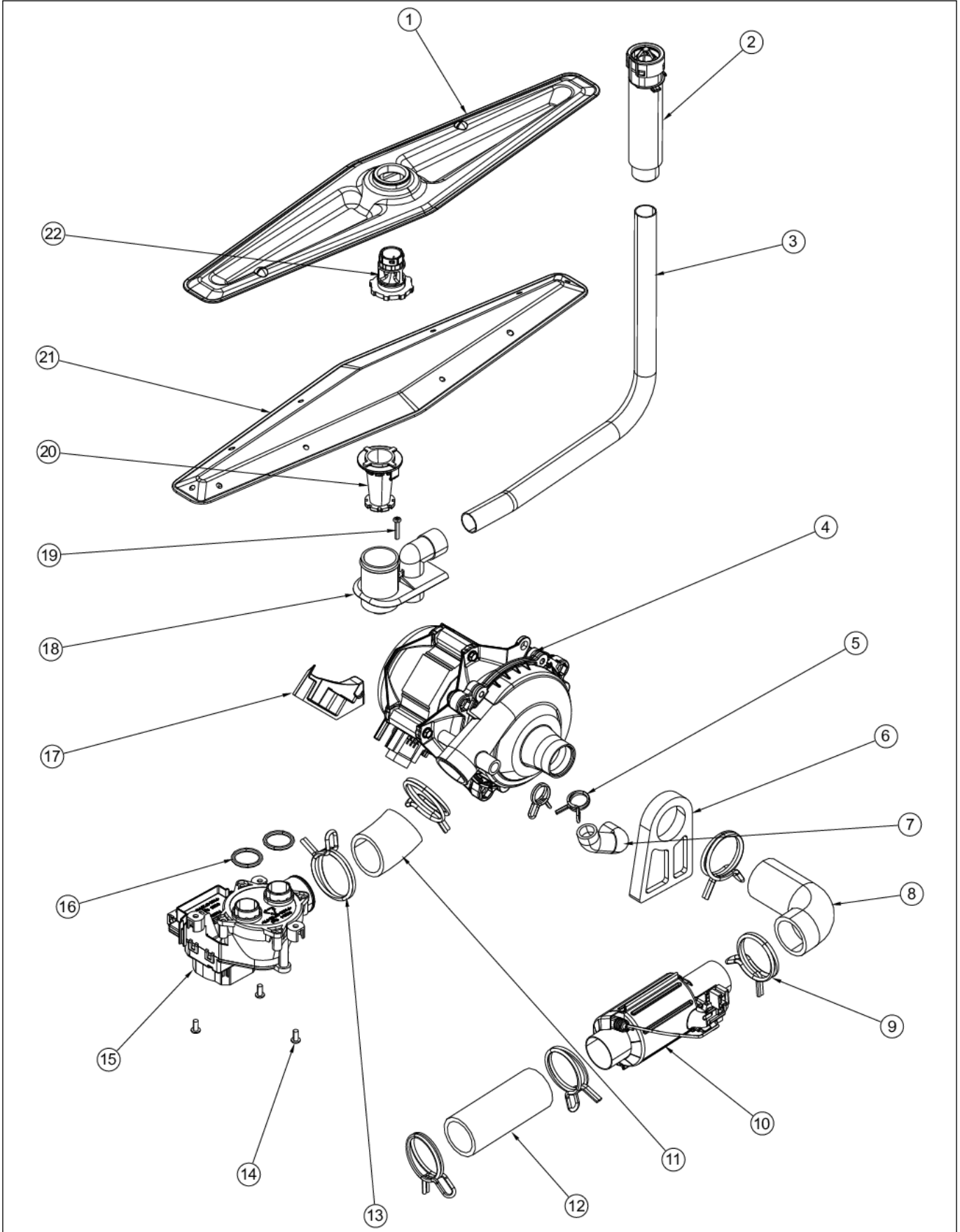
NON
ILLUSTRATED PART





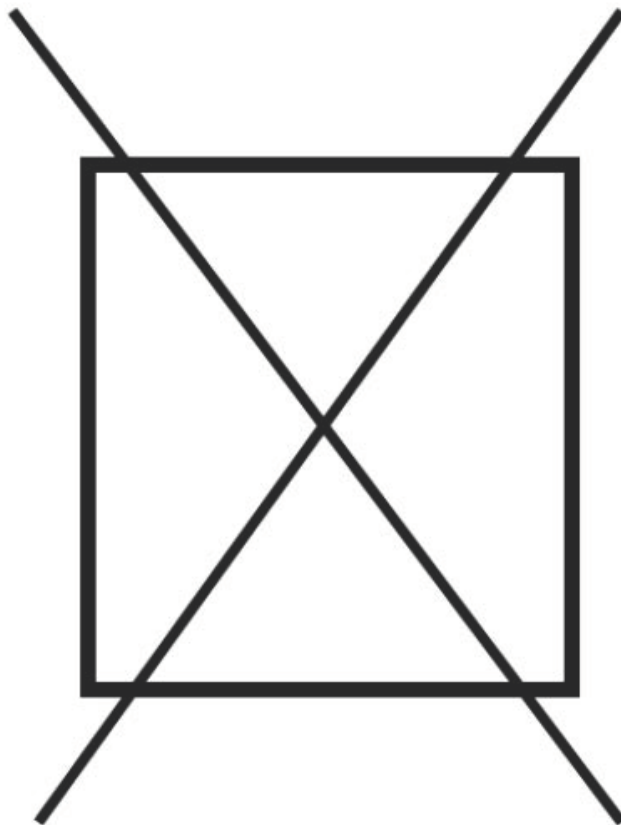
Item	Part No.	Name	Qty	Uom	NOTES
NI	038600-000	INSTALLATION HARDWARE KIT - SDB/VDB451	1	EA	

WASH SYSTEM



Item	Part No.	Name	Qty	Uom	NOTES
1	G2188879	MIDDLE SPRAY ARM, ASSEMBLY	1	EA	
2	004062-000	REAR PORT ASSEMBLY	1	EA	
3	F2088867	CONDUIT, LOWER	1	EA	
4	019589-000	PUMP & MOTOR ASSEMBLY	1	EA	
5	PD030165	CLAMP, WIRE, HOSE	2	EA	
6	000370-000	MOUNT, MOTOR	1	EA	NO LONGER AVAILABLE
7	PB020264	HOSE, PUMP TO PERIMETER SPRAYER	1	EA	
8	038843-000	HOSE, HEATER TO PUMP	1	EA	
9	PD030163	CLAMP, WIRE HOSE	4	EA	
10	038415-000	HEATER, FLOW-THROUGH, ZOPPAS 1200V	1	EA	
11	PB020263	HOSE, PUMP TO DIVERter VALVE	1	EA	
12	038844-000	HOSE, SUMP TO HEATER	1	EA	
13	002283-000	CLAMP, DOUBLE WIRE, HOSE	2	EA	
14	PD020262	SCREW, 8-14x3/8 TORX, PAN HEAD, PLASTITE, 304 SS	3	EA	
15	040626-000	DIVERter VALVE KIT	1	EA	
16	PB870194	O-RING, DIVERter VALVE	2	EA	
17	000380-000	SUPPORT, MOTOR	1	EA	
18	PM810359	VENTURI PLATE	1	EA	
19	PD020245	SCREW, #6-19 X 3/4 TORX, PAN HEAD, PLASTITE, 304SS	1	EA	
20	PK830260	LOWER SPRAY ARM VENTURI SPINDLE	1	EA	
21	G2188882	LOWER SPRAY ARM, ASSEMBLY	1	EA	
22	PK830375	MIDDLE SPRAY ARM LOCK NUT, 1/4 TURN	1	EA	

NON
ILLUSTRATED PART





Item	Part No.	Name	Qty	Uom	NOTES
NI	001796-000	RETAINER, HARNESS	3	EA	
NI	040954-000	HARNESS, HV BASE ASSY	1	EA	
NI	040966-000	HARNESS, LV BASE	1	EA	
NI	040874-000	HARNESS,BLOWER	1	EA	
NI	040876-000	HARNESS, VENT	1	EA	
NI	040952-000	HARNESS, DOOR	1	EA	



Appendix A:Pages Index

BASE 1
BASKETS 2
BOTTOM WELL 3
CABINET AREA 4
CONTROL PANEL 5
DOOR 6
INSTALLATION 7
VDB451 Wiring 9
WASH SYSTEM 8



Appendix B:Parts Index

000079-000	4	025270-000	1
000124-000	4	027458-000	6
000370-000	8	027495-000	2
000380-000	8	029375-000	1
000572-000	4	029377-000	1
001470-000	4	029427-000	5
001796-000	1, 9	029931-000	5
002283-000	8	030795-000	5
002298-000	4	030796-000	5
002547-000	4	030861-000	4
003150-000	2	031062-000	6
003151-000	2	031065-000	6
003478-000	2	031187-000	5
003479-000	2	031322-000	4
004062-000	8	031421-000	1
005033-000	1	031424-000	5
006521-000	3	031515-000	1
006575-000	1	031706-000	4
006985-000	3	032718-000	1
007564-000	1	032720-000	1
008987-000	5	032814-000	5
009039-000	3	033315-000	5
009613-000	4	033411-000	5, 6
010850-000	1	033492-000	1
010851-000	1	033563-000	4
013380-000	6	034201-000	2
013449-000	4	034202-000	2
014072-000	6	034203-000	2
015249-000	2	034204-000	2
019416-000	3	034210-000	2
019589-000	8	034211-000	2
020784-000	3	034212-000	2
023534-000	1	034213-000	2
023975-000	1	034214-000	2
024015-000	1	034218-000	2
024041-000	1	034273-000	3
024130-000	1	034277-000	4
024143-000	1	034279-000	3
024147-000	1	034448-000	1
025033-000	6	034639-000	2
		034768-000	1



034824-000	6	PB880032	3
034959-000	1	PC030032	2
035058-002	6	PC040020	1
035058-006	6	PD010019	6
035114-000	6	PD020197	5
035164-000	1, 4	PD020214	1
035205-000	3	PD020215	1
035235-000	2	PD020236	1
035263-000	1	PD020245	3, 8
036051-000	4	PD020249	1, 4, 6
036052-000	4	PD020250	1
036571-000	2	PD020255	1
037726-000	2	PD020262	8
038415-000	8	PD020263	4
038600-000	7	PD020265	1
038843-000	8	PD030006	6
038844-000	8	PD030156	2
039000-000	6	PD030163	8
039614-000	2	PD030164	3
039615-000	2	PD030165	8
040626-000	8	PD030179	1
040874-000	9	PD040163	1
040876-000	1, 9	PD160016	3
040952-000	9	PE010016	6
040954-000	9	PE010017	6
040966-000	9	PE050229	1
051144-000	1	PE070209	1
C93813631	4	PE070708	1
C93813632	4	PF031283	1
F2088867	8	PK030443	4
G2188879	8	PK030448	2
G2188882	8	PK030536	2
G5088830	1	PK030541	1
G5088865	3	PK830239	3
G5088897	2	PK830249	2
PB020263	8	PK830260	8
PB020264	8	PK830366	1
PB070338	1	PK830375	8
PB820205	3, 3	PK830395	1
PB870194	8	PM810359	8
PB870195	3	PM810487	4



PM810488 1
PM810495 1