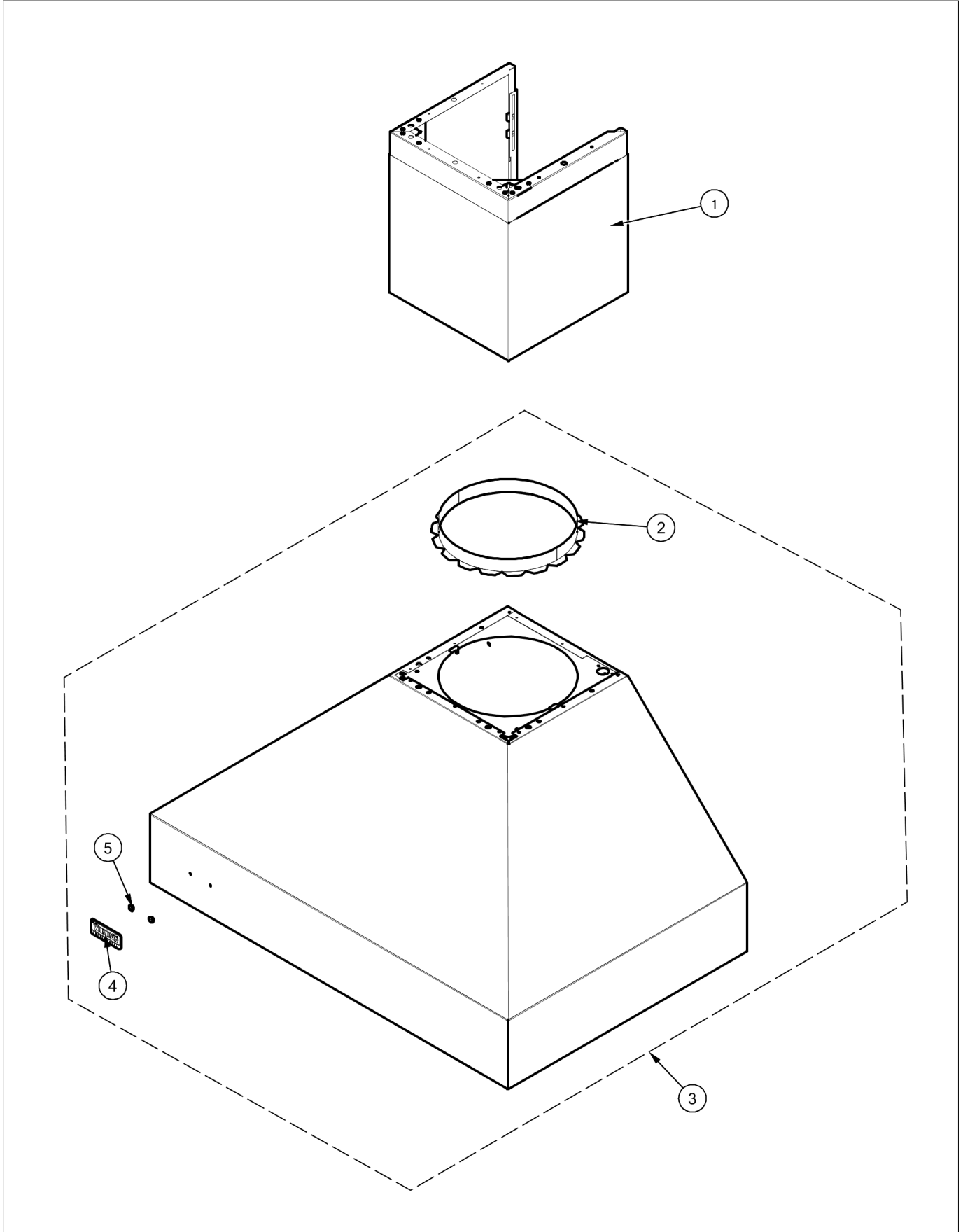


VCWH53648

VCWH53648 Canopy Parts	1
VCWH53648 Base Parts	2
VCWH53648 Electrical Parts	3
Appendix A:Pages Index	A
Appendix B:Parts Index	B

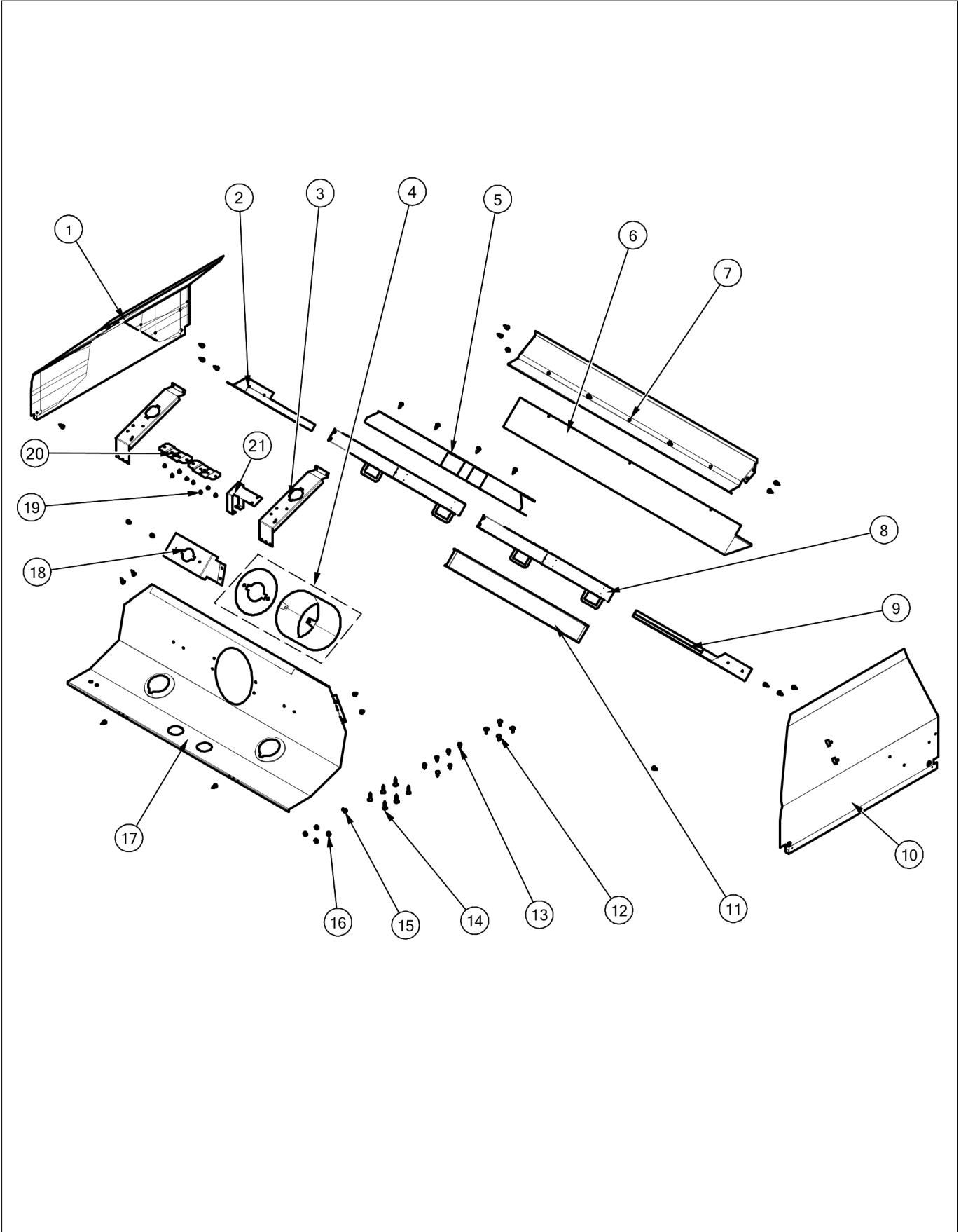
VCWH53648 Canopy Parts





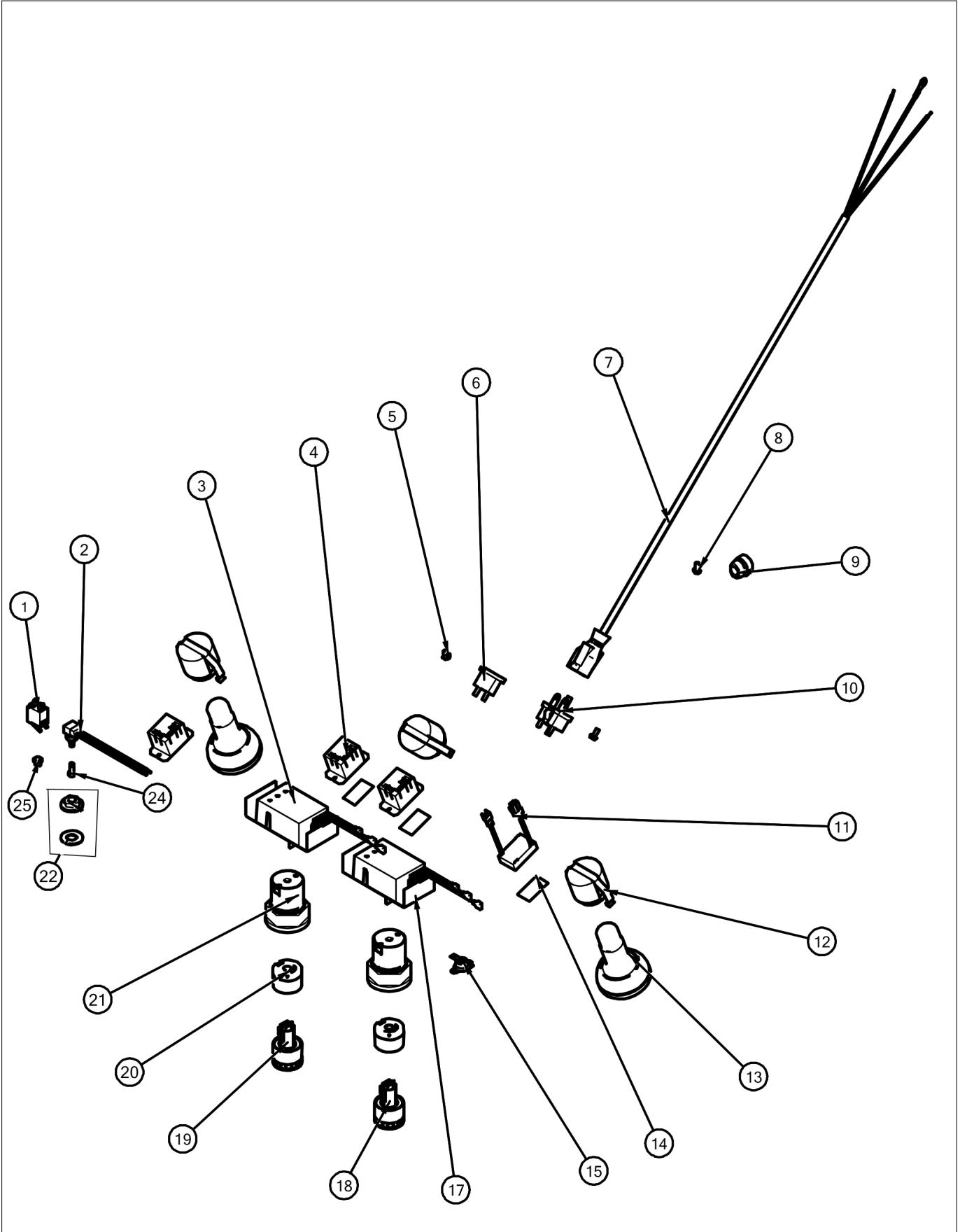
Item	Part No.	Name	Qty	Uom	NOTES
1	041173-000	DUCT COVER KIT (INCLUDES TOP AND BOTTOM)	1	EA	
1	049252-002	COVER, DUCT, BOT, DECARB VCWH53048 ASM - BK (INCLUDES TOP AND BOTTOM)	1	EA	
1	049252-005	COVER, DUCT, BOT, DECARB VCWH53048 ASM - GG (INCLUDES TOP AND BOTTOM)	1	EA	
1	049252-006	COVER, DUCT, BOT, DECARB VCWH53048 ASM - WH (INCLUDES TOP AND BOTTOM)	1	EA	
1	049252-008	COVER, DUCT, BOT, DECARB VCWH53048 ASM - BU (INCLUDES TOP AND BOTTOM)	1	EA	
1	049252-013	COVER, DUCT, BOT, DECARB VCWH53048 ASM - CB (INCLUDES TOP AND BOTTOM)	1	EA	
1	049252-024	COVER, DUCT, BOT, DECARB VCWH53048 ASM - AR (INCLUDES TOP AND BOTTOM)	1	EA	
2	N/A	HOOD TOP TRANSITION (VCWH30/36/42)	1	EA	
Not Shown	NOTE	(NOT FIELD REPLACEABLE)		EA	
3	044835-000	HOOD, CNPY, VCWH53648 ASSY	1	EA	Not available online / Call for pricing and availability
4	PE010142	3" LOGO *BK**CHROME	1	EA	
5	PD030006	CAPPED WASHER PAL NUT	2	EA	
NI	046671-000	KIT, INSTL, FASTENER ASSY	1	EA	

VCWH53648 Base Parts



Item	Part No.	Name	Qty	Uom	NOTES
1	044846-000	PANEL, INTL, LH, 36"	1	EA	
2	044849-000	SPACER, FLTR, LH, SIDE, 36"	1	EA	
3	042621-000	SUPPORT, LT	2	EA	
4	G31012427	HEAT LAMP COWLING ASSY	1	EA	
5	044847-000	BRACKET, FLTR, 36"	1	EA	Not available online / Call for pricing and availability
6	039374-000	SPRT, BTM, REAR. FLTR	1	EA	
7	B20012487	FILTER SUPPORT TOP (VWH/VBCV/VCWH36)	1	EA	
8	038862-000	FILTER ASM, W/HANDLES	2	EA	
9	044848-000	SPACEWR, FLTR, RH, SIDE, 36"	1	EA	
10	044845-000	PANEL, INTL, RH, 36"	1	EA	
11	042728-000	TROUGH, GRS, 36"	1	EA	
12	PD020056	' #10-24 X 1/2" PH.TR. M.S. *SS*	4	EA	
13	PD020087	10 X 1/2 PAN PH. TEK ZINC	33	EA	
14	PD020009	10 X 1 PH. HD. PAN HD. SMS	6	EA	
15	PD020010	10 X 3/8 GREEN GROUNDING SCREW	1	EA	
16	PD030010	#10-24 KEPS NUT ZINC PLATED	4	EA	
17	044842-000	PANEL, CTRL, HOOD, 36"	1	EA	
18	042711-000	SUPPORT, LAMP, HEAT	1	EA	
19	046821-000	8 X 1/4" AB, PH PAN HD S/M/S Z/P	8	EA	
20	043160-000	SUPPORT, SW	2	EA	
21	042925-000	BRACKET, T'STAT	1	EA	

VCWH53648 Electrical Parts





Item	Part No.	Name	Qty	Uom	NOTES
1	015170-000	HOUSING, LIGHT, BLUE NEON, 125V	1	EA	
2	G40015469	DESIGNER OVEN LIGHT SWITCH	1	EA	
3	070880-000	Dimmer Switch Kit	1	EA	
4	045078-000	RELAY, PWR, MINI, 30 AMP (AZ2280-1A-120AF)	3	EA	
5	046354-000	HARNESS, JMPR, P.S.- RELAY-LED	1	EA	
6	PE070196	FEMALE SOCKET (2 PRONG)	1	EA	
7	039680-000	CORD, PWR, SUPPLY, VNT HD	1	EA	
8	PD020010	10 X 3/8 GREEN GROUNDING SCREW	2	EA	
9	PE070204	HEYCO STRAIN RELIEF - 7-P2	1	EA	
10	PE070197	MALE SOCKET (3 PRONG)	1	EA	
11	071494-000	Ventilation Power Supply Kit (See TV-0014-SP Bulletin)	1	EA	
12	013549-000	LIGHT SOCKET (125C LEADS)	3	EA	
13	045062-000	BULB, LED LIGHT	2	EA	
14	046408-000	STRIP, TAPE- 1.250" X .750"	3	EA	
15	PJ030014	HEAT SENSOR (N.O.) 160 DEG.	1	EA	
17	070881-000	Fan Switch Kit	1	EA	See 2018-04P Parts Bulletin
18	046599-000	KNOB, SW, LIGHT (H & S V5211 019 206 006)	1	EA	
19	046644-000	KNOB, SW, FAN (H & S V5211 019 206 005)	1	EA	
20	044954-000	RING, LED, LIGHT ASSY (H&S # M5160108002)	2	EA	
21	044956-000	HOUSING, KNOB ASSY (H&S # M525000570)	2	EA	
22	036576-000	LIGHT SWITCH HOLDER W/DOUBLE SIDED TAPE	1	EA	
24	PB010315	CLOCK BUTTON	1	EA	
25	027968-000	LENS, BLUE	1	EA	
NI	045926-000	HARNESS, W 18"H HOOD, 30"/36"/42"	1	EA	



Appendix A:Pages Index

VCWH53648 Base Parts	2
VCWH53648 Canopy Parts	1
VCWH53648 Electrical Parts	3



Appendix B:Parts Index

013549-000	3	B20012487	2
015170-000	3	G31012427	2
027968-000	3	G40015469	3
036576-000	3	PB010315	3
038862-000	2	PD020009	2
039374-000	2	PD020010	2, 3
039680-000	3	PD020056	2
041173-000	1	PD020087	2
042621-000	2	PD030006	1
042711-000	2	PD030010	2
042728-000	2	PE010142	1
042925-000	2	PE070196	3
043160-000	2	PE070197	3
044835-000	1	PE070204	3
044842-000	2	PJ030014	3
044845-000	2		
044846-000	2		
044847-000	2		
044848-000	2		
044849-000	2		
044954-000	3		
044956-000	3		
045062-000	3		
045078-000	3		
045926-000	3		
046354-000	3		
046408-000	3		
046599-000	3		
046644-000	3		
046671-000	1		
046821-000	2		
049252-002	1		
049252-005	1		
049252-006	1		
049252-008	1		
049252-013	1		
049252-024	1		
070880-000	3		
070881-000	3		
071494-000	3		