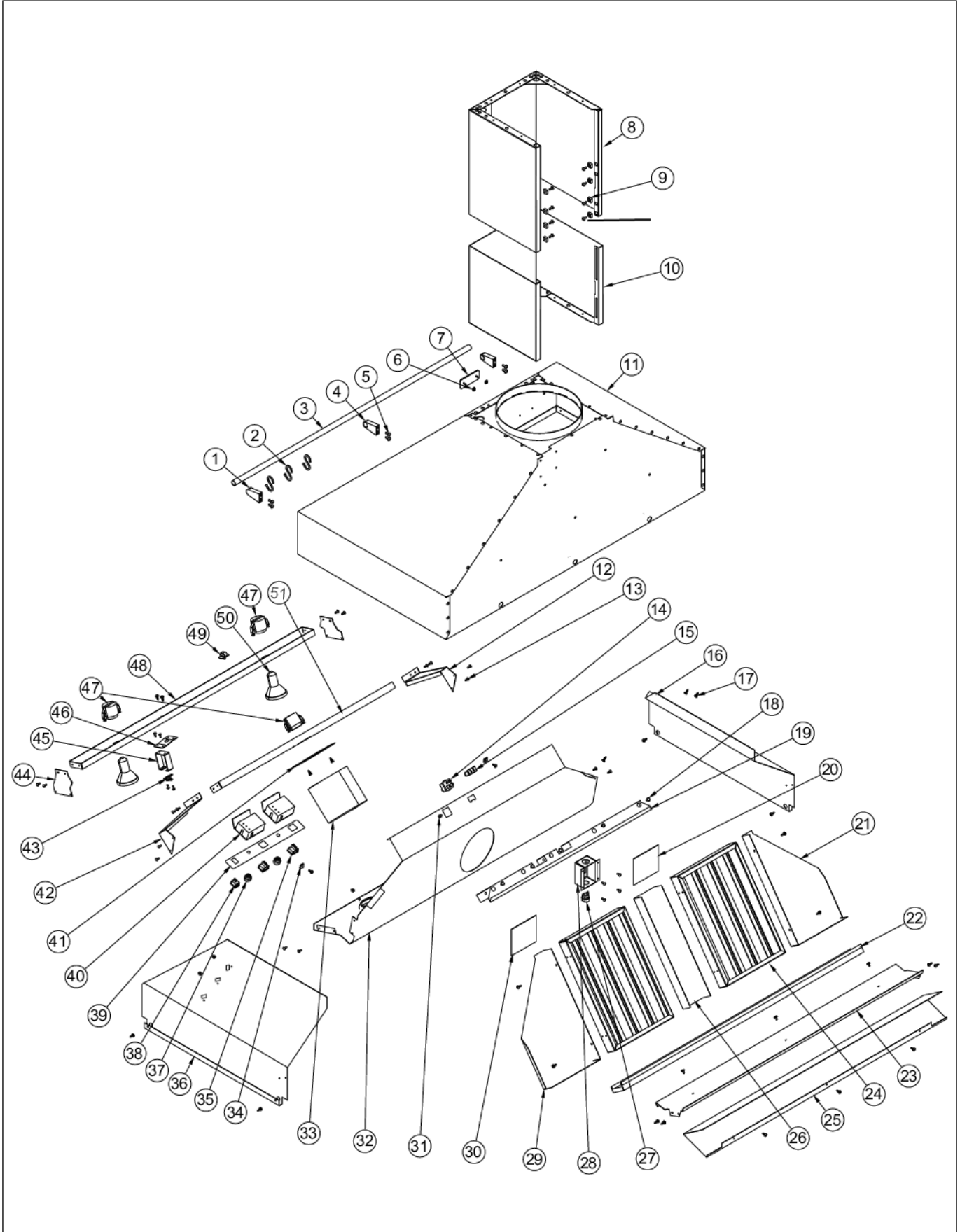


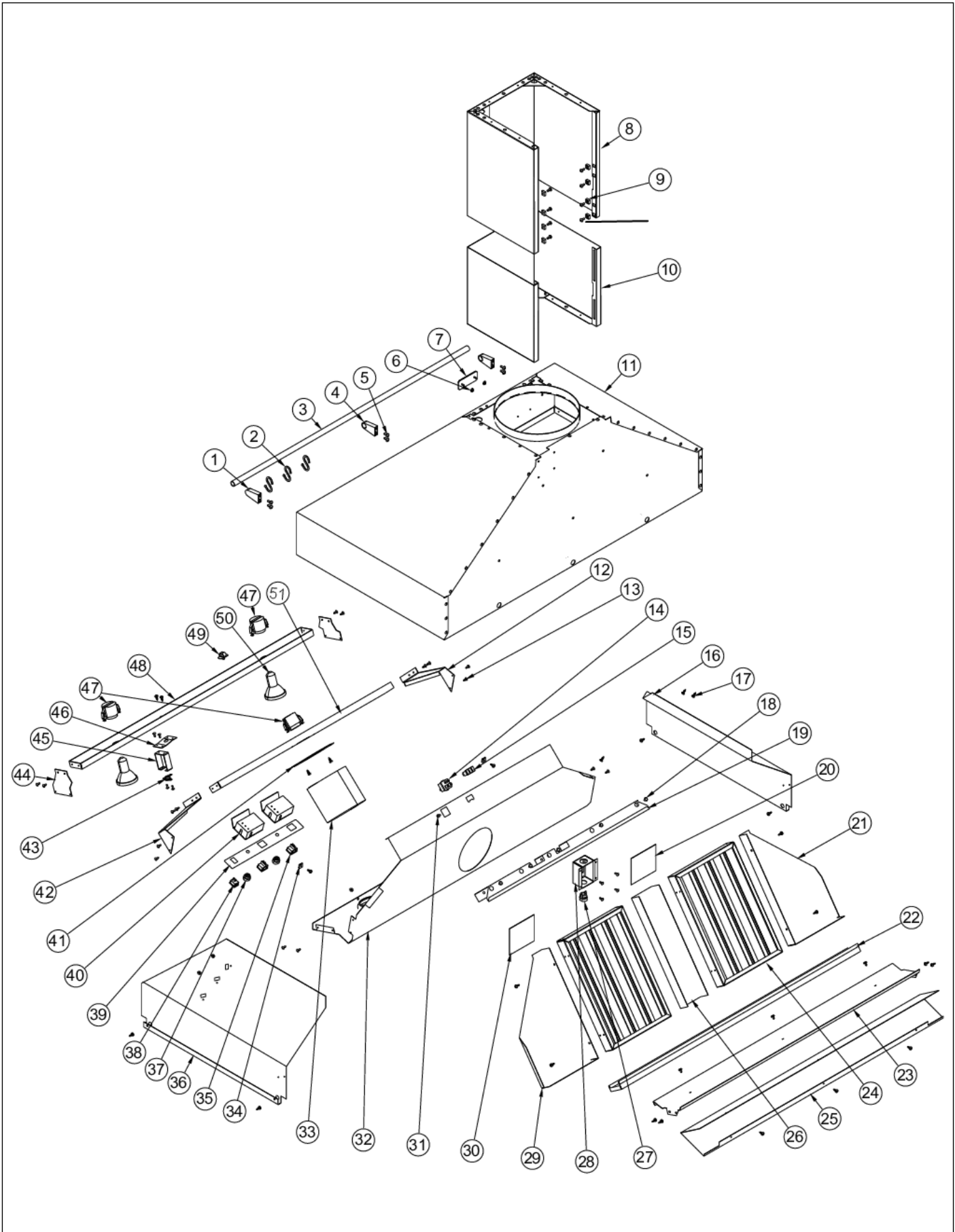
VCWH4248

VCWH4248	1
Appendix A:Pages Index	A
Appendix B:Parts Index	B



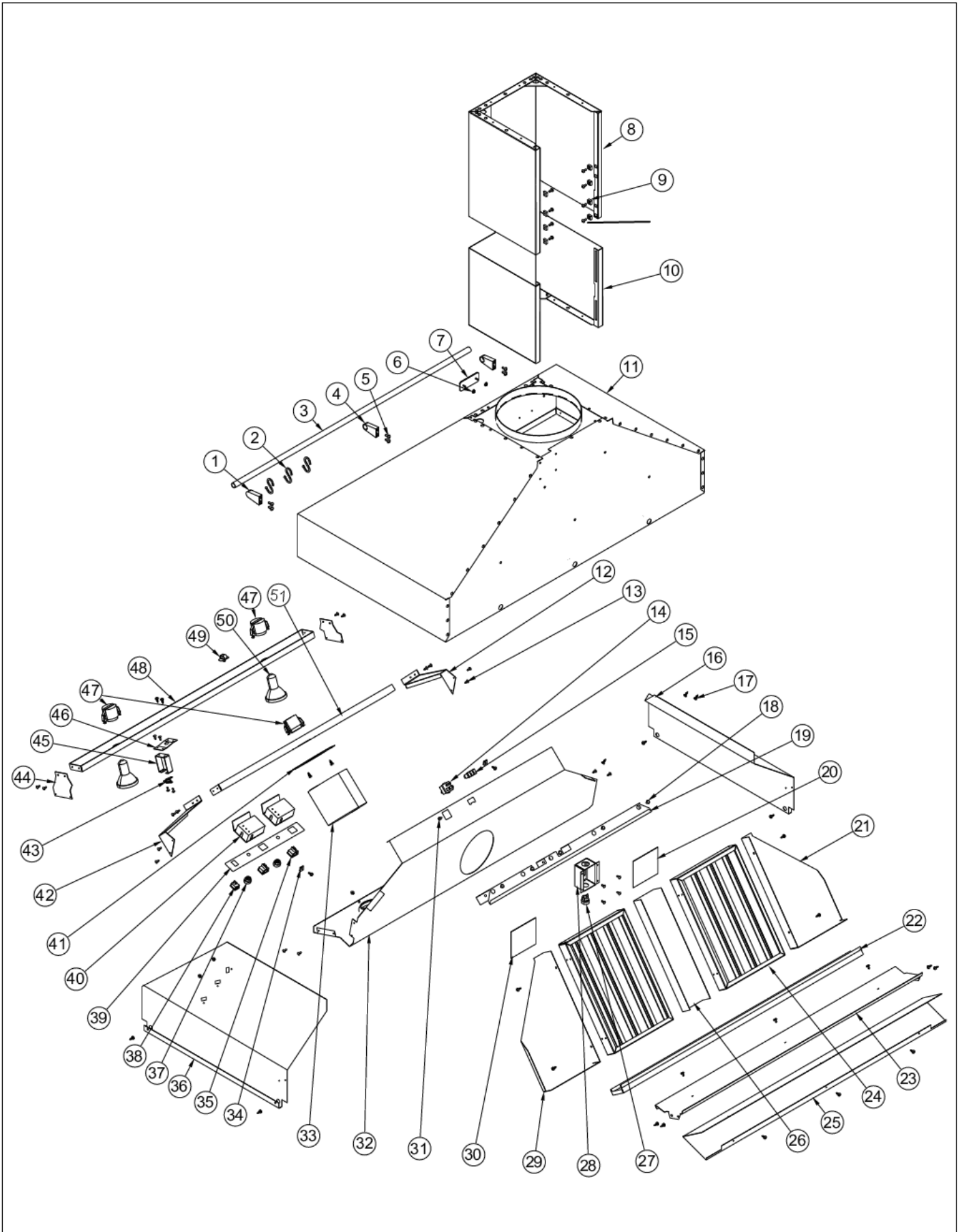


Item	Part No.	Name	Qty	Uom	NOTES
1	PE030054	END CAP - SS	2	EA	
2	PE030076	CHROME "S" HOOKS REPL PV100012SS	3	EA	
3	PE030121	ACCESSORY RAIL - SS	1	EA	
4	PE030052	SUPPORT TUBE, HOLE THROUGH	1	EA	
5	PD010003	10-24 X 1/2 PH.TR.HD.SERD.M.S.	6	EA	
6	PD030006	CAPPED WASHER PAL NUT	2	EA	
7	PE010142	3" VIKING LOGO BLACK/CHROME	1	EA	
8	G3105020SS	DUCT CVR TOP ASSY 12X12 DCWH/L36/42	1	EA	
8	G9005020BK	DUCT CVR TOP (DCWH/L 3644)*BK*	1	EA	Not available online / Call for pricing and availability
8	G9005020BT	DUCT CVR TOP (DCWH/L 3644)*BT*	1	EA	NO LONGER AVAILABLE, Not available online / Call for pricing and availability
8	G9005020SG	DUCT CVR TOP (DCWH/L 3644)*SG*	1	EA	NO LONGER AVAILABLE
8	G9005020GG	DUCT CVR TOP (DCWH/L36/42)*GG*	1	EA	NO LONGER AVAILABLE, Not available online / Call for pricing and availability
8	G9005020WH	DUCT CVR TOP (DCWH/L 3644) *WH*	1	EA	
8	G9005020BU	DUCT CVR TOP ASSY12X12(VCWH30/36/42) *BU*	1	EA	NO LONGER AVAILABLE, Not available online / Call for pricing and availability
8	G9005020LE	DUCT CVR TOP ASSY12X12(VCWH30/36/42) *LE*	1	EA	NO LONGER AVAILABLE, Not available online / Call for pricing and availability
8	G9005020MJ	DUCT CVR TOP ASSY12X12(VCWH30/36/42) *MJ*	1	EA	NO LONGER AVAILABLE, Not available online / Call for pricing and availability



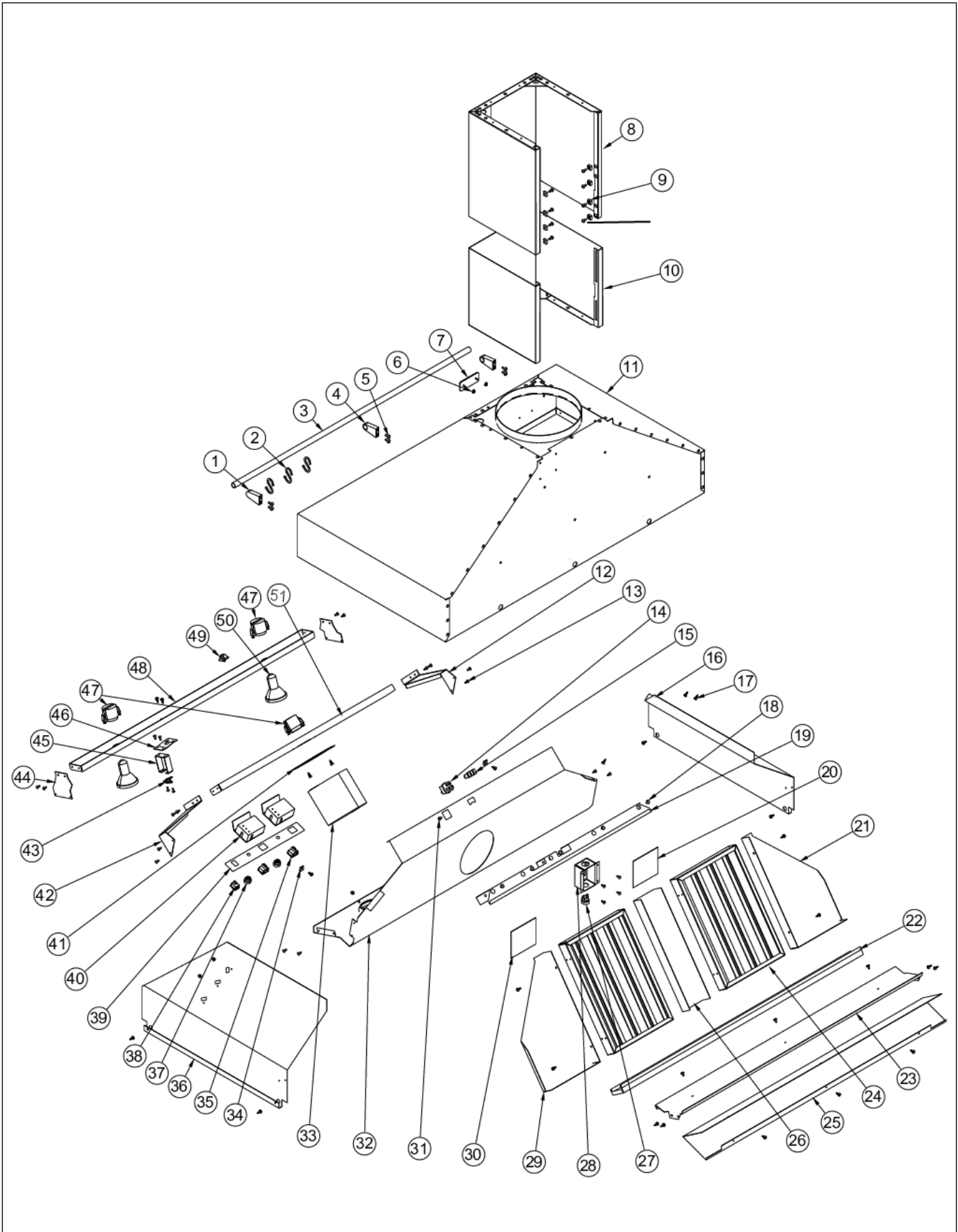


Item	Part No.	Name	Qty	Uom	NOTES
8	G9005020VB	DUCT CVR TOP ASSY12X12(VCWH30/36/42) *VB*	1	EA	NO LONGER AVAILABLE, Not available online / Call for pricing and availability
8	G9005020CB	DUCT CVR TOP ASSY12X12(VCWH30/36/42) *CB*	1	EA	NO LONGER AVAILABLE, Not available online / Call for pricing and availability
8	G9005020PL	DUCT CVR TOP DCWH/L 3644 PL	1	EA	
8	G9005020CH	DUCT CVR TOP DCWH/L 3644 CH	1	EA	
8	G9005020TP	DUCT CVR TOP DCWH/L 3644 TP	1	EA	
8	G9005020CW	DUCT CVR TOP DCWH/L 3644 CW	1	EA	
8	G9005020OG	DUCT CVR TOP DCWH/L 3644 OG	1	EA	
8	G9005020GM	DUCT CVR TOP DCWH/L 3644 GM	1	EA	Not available online / Call for pricing and availability
8	G9005020SA	DUCT CVR TOP DCWH/L 3644 SA	1	EA	
8	G9005020SE	DUCT CVR TOP DCWH/L 3644 SE	1	EA	
8	G9005020IB	DUCT CVR TOP DCWH/L 3644 IB	1	EA	
8	G9005020AR	DUCT CVR TOP DCWH/L 3644 AR	1	EA	
8	G9005020RR	DUCT CVR TOP DCWH/L 3644 RR	1	EA	
8	G9005020PM	DUCT CVR TOP DCWH/L 3644 PM	1	EA	
8	G9005020MS	DUCT CVR TOP DCWH/L 3644 MS	1	EA	
8	G3105020SSBR	DUCT CVR TOP ASSY, SS/BR	1	EA	Not available online / Call for pricing and availability
8	G9005020BKBR	DUCT CVR TOP ASSY, BK/BR	1	EA	Not available online / Call for pricing and availability



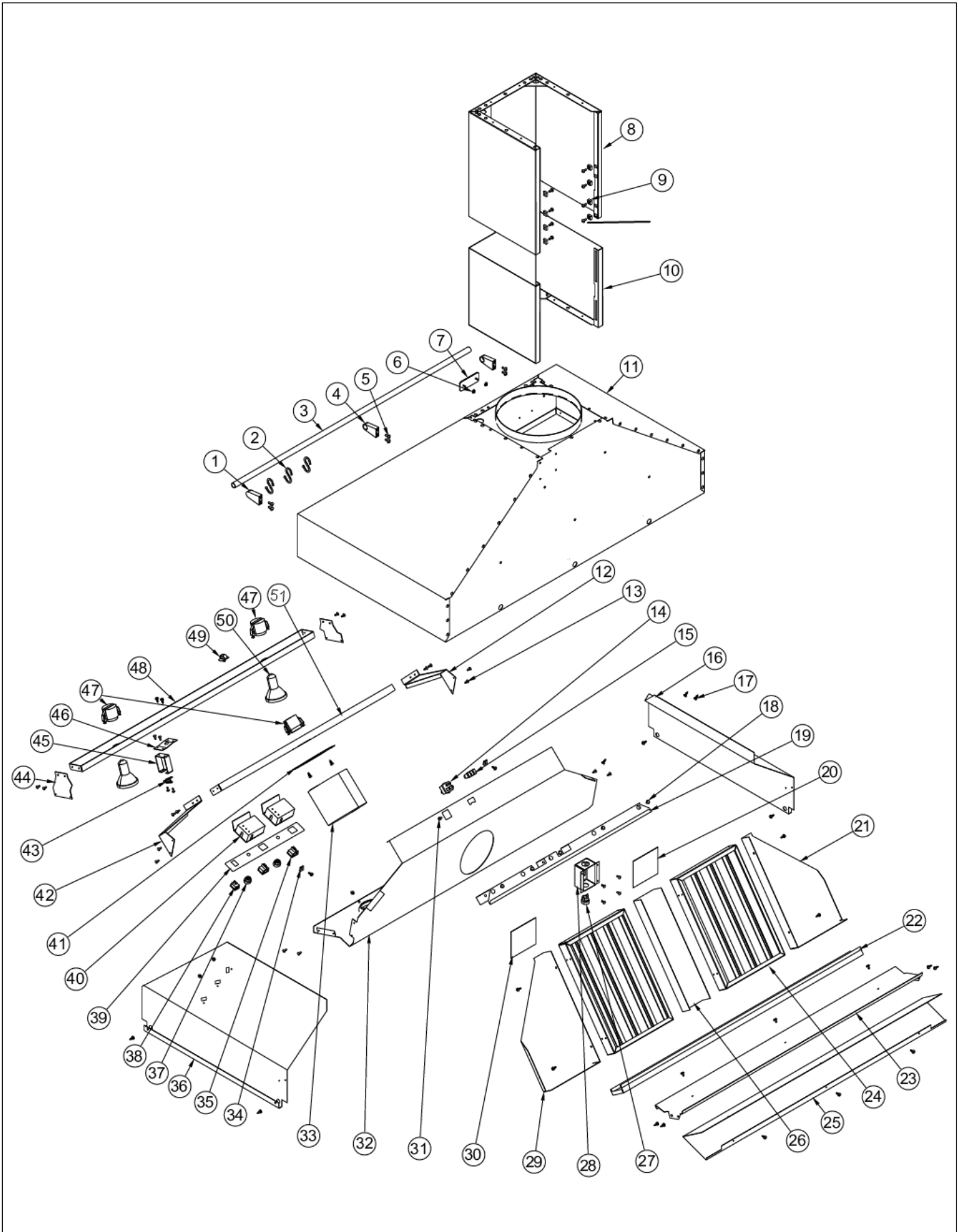


Item	Part No.	Name	Qty	Uom	NOTES
8	G9005020BTBR	DUCT CVR TOP ASSY, BT/BR	1	EA	Not available online / Call for pricing and availability
8	G9005020SGBR	DUCT CVR TOP ASSY, SG/BR	1	EA	Not available online / Call for pricing and availability
8	G9005020GGBR	DUCT CVR TOP ASSY, GG/BR	1	EA	Not available online / Call for pricing and availability
8	G9005020WHBR	DUCT CVR TOP ASSY, WH/BR	1	EA	Not available online / Call for pricing and availability
8	G9005020BUBR	DUCT CVR TOP ASSY, BU/BR	1	EA	Not available online / Call for pricing and availability
8	G9005020LEBR	DUCT CVR TOP ASSY, LE/BR	1	EA	Not available online / Call for pricing and availability
8	G9005020MJBR	DUCT CVR TOP ASSY, MJ/BR	1	EA	Not available online / Call for pricing and availability
8	G9005020VBBR	DUCT CVR TOP ASSY, VB/BR	1	EA	Not available online / Call for pricing and availability
8	G9005020CBBR	DUCT CVR TOP ASSY, CB/BR	1	EA	Not available online / Call for pricing and availability
8	G9005020PLBR	DUCT CVR TOP ASSY, PL/BR	1	EA	Not available online / Call for pricing and availability
8	G9005020CHBR	DUCT CVR TOP ASSY, CH/BR	1	EA	Not available online / Call for pricing and availability
8	G9005020TPBR	DUCT CVR TOP ASSY, TP/BR	1	EA	Not available online / Call for pricing and availability
8	G9005020CWBR	DUCT CVR TOP ASSY, CW/BR	1	EA	Not available online / Call for pricing and availability



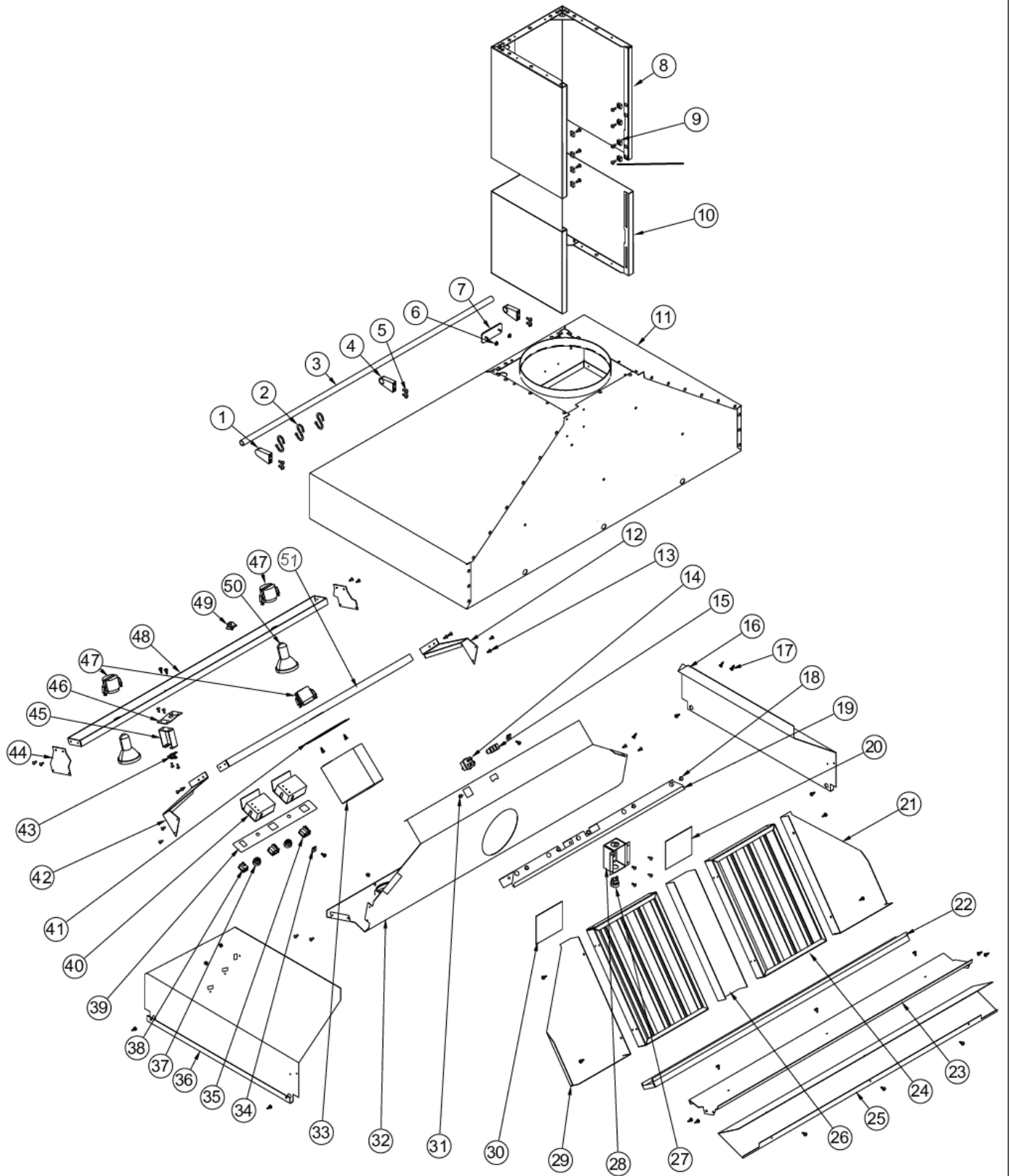


Item	Part No.	Name	Qty	Uom	NOTES
8	G9005020OGBR	DUCT CVR TOP ASSY, OG/BR	1	EA	Not available online / Call for pricing and availability
8	G9005020GMBR	DUCT CVR TOP ASSY, GM/BR	1	EA	Not available online / Call for pricing and availability
8	G9005020SABR	DUCT CVR TOP ASSY, SA/BR	1	EA	Not available online / Call for pricing and availability
8	G9005020SEBR	DUCT CVR TOP ASSY, SE/BR	1	EA	Not available online / Call for pricing and availability
8	G9005020IBBR	DUCT CVR TOP ASSY, IB/BR	1	EA	Not available online / Call for pricing and availability
8	G9005020ARBR	DUCT CVR TOP ASSY, AR/BR	1	EA	Not available online / Call for pricing and availability
8	G9005020RRBR	DUCT CVR TOP ASSY, RR/BR	1	EA	Not available online / Call for pricing and availability
8	G9005020PMBR	DUCT CVR TOP ASSY, PM/BR	1	EA	Not available online / Call for pricing and availability
8	G9005020MSBR	DUCT CVR TOP ASSY, MS/BR	1	EA	Not available online / Call for pricing and availability
9	PD030005	SELF RETAINING NUT	8	EA	
10	G3108764SS	DUCT CVR BTM ASSY *SS* (VCWH30/36/42)	1	EA	
10	G9008764BK	DUCT COVER BTM ASSY (VCWH30/36/42) *BK*	1	EA	NO LONGER AVAILABLE, Not available online / Call for pricing and availability
10	G9008764BT	DUCT COVER BTM ASSY (VCWH30/36/42) *BT*	1	EA	NO LONGER AVAILABLE
10	G9008764SG	DUCT COVER BTM ASSY (VCWH30/36/42) *SG*	1	EA	NO LONGER AVAILABLE



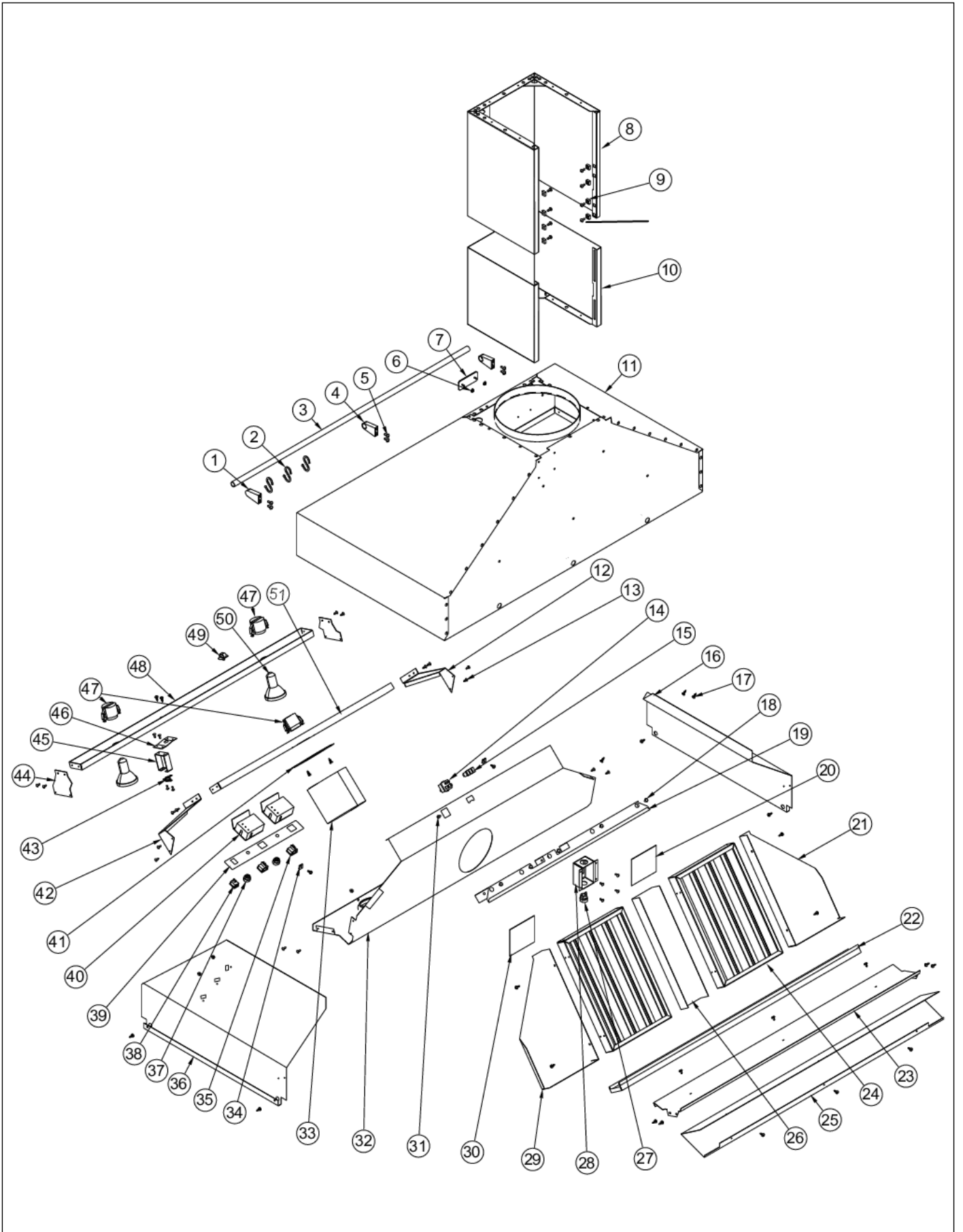


Item	Part No.	Name	Qty	Uom	NOTES
10	G9008764GG	DUCT COVER BTM ASSY (VCWH30/36/42) *GG*	1	EA	NO LONGER AVAILABLE, Not available online / Call for pricing and availability
10	G9008764WH	DUCT COVER BTM ASSY (VCWH30/36/42) *WH*	1	EA	Not available online / Call for pricing and availability
10	G9008764BU	DUCT COVER BTM ASSY (VCWH30/36/42) *BU*	1	EA	NO LONGER AVAILABLE, Not available online / Call for pricing and availability
10	G9008764LE	DUCT COVER BTM ASSY (VCWH30/36/42) *LE*	1	EA	NO LONGER AVAILABLE, Not available online / Call for pricing and availability
10	G9008764MJ	DUCT COVER BTM ASSY (VCWH30/36/42) *MJ*	1	EA	NO LONGER AVAILABLE, Not available online / Call for pricing and availability
10	G9008764VB	DUCT COVER BTM ASSY (VCWH30/36/42) *VB*	1	EA	NO LONGER AVAILABLE, Not available online / Call for pricing and availability
10	G9008764CB	DUCT COVER BTM ASSY (VCWH30/36/42) *CB*	1	EA	NO LONGER AVAILABLE, Not available online / Call for pricing and availability
10	G9008764PL	DUCT COVER BTM ASSY (VCWH30/36/42) PL	1	EA	
10	G9008764CH	DUCT COVER BTM ASSY (VCWH30/36/42) *CH*	1	EA	
10	G9008764TP	DUCT COVER BTM ASSY (VCWH30/36/42) TP	1	EA	
10	G9008764CW	DUCT COVER BTM ASSY (VCWH30/36/42) CW	1	EA	
10	G9008764OG	DUCT COVER BTM ASSY (VCWH30/36/42) OG	1	EA	
10	G9008764GM	DUCT COVER BTM ASSY (VCWH30/36/42) GM	1	EA	Not available online / Call for pricing and availability
10	G9008764SA	DUCT COVER BTM ASSY (VCWH30/36/42) SA	1	EA	



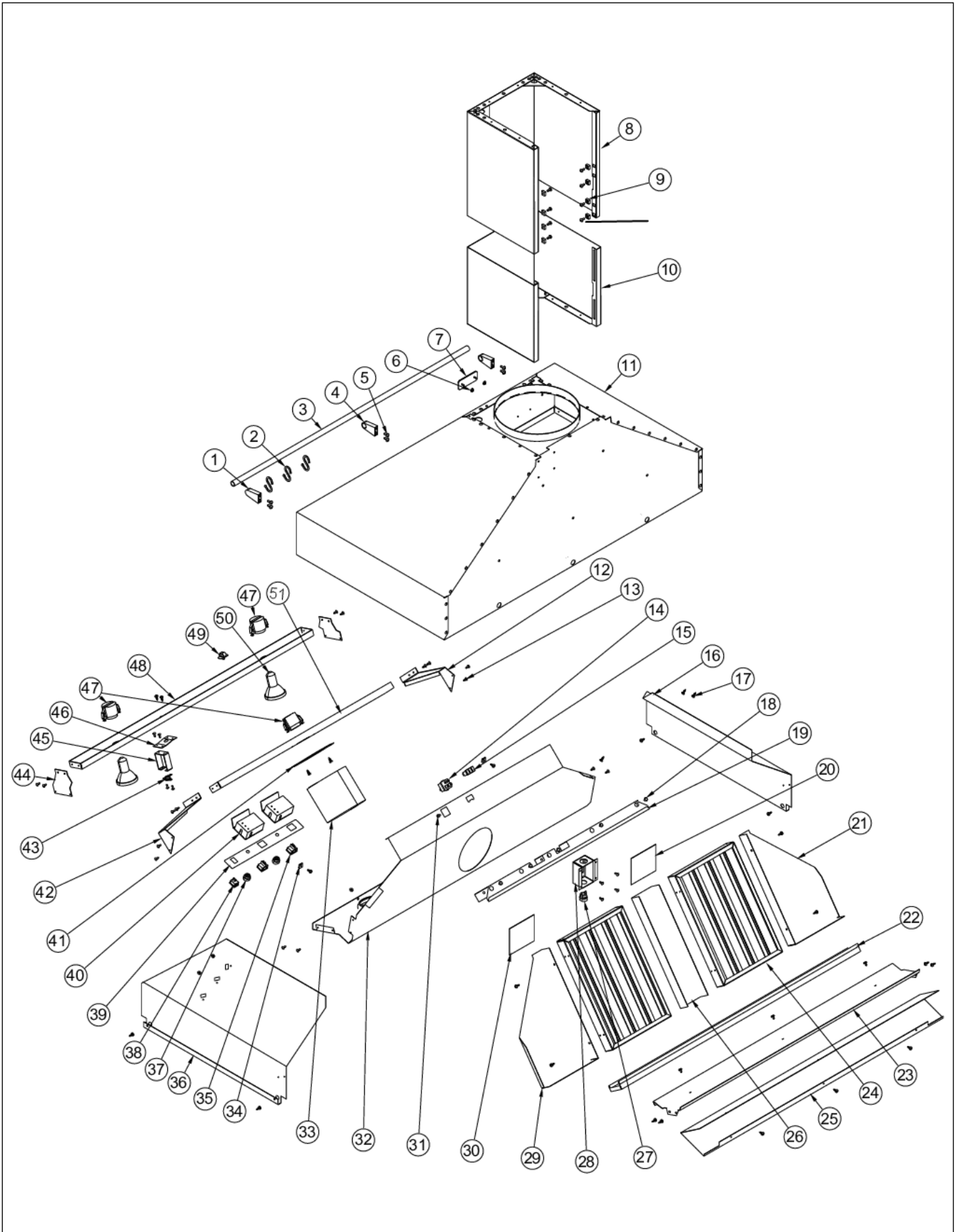


Item	Part No.	Name	Qty	Uom	NOTES
10	G9008764SE	DUCT COVER BTM ASSY (VCWH30/36/42) SE	1	EA	
10	G9008764IB	DUCT COVER BTM ASSY (VCWH30/36/42) IB	1	EA	
10	G9008764AR	DUCT COVER BTM ASSY (VCWH30/36/42) AR	1	EA	
10	G9008764RR	DUCT COVER BTM ASSY (VCWH30/36/42) RR	1	EA	
10	G9008764PM	DUCT COVER BTM ASSY (VCWH30/36/42) PM	1	EA	
10	G9008764MS	DUCT COVER BTM ASSY (VCWH30/36/42) MS	1	EA	
10	G3108764SSBR	DUCT CVR BTM ASSY, SS/BR	1	EA	Not available online / Call for pricing and availability
10	G9008764BKBR	DUCT CVR BTM ASSY, BK/BR	1	EA	Not available online / Call for pricing and availability
10	G9008764BTBR	DUCT CVR BTM ASSY, BT/BR	1	EA	Not available online / Call for pricing and availability
10	G9008764SGBR	DUCT CVR BTM ASSY, SG/BR	1	EA	Not available online / Call for pricing and availability
10	G9008764GGBR	DUCT CVR BTM ASSY, GG/BR	1	EA	Not available online / Call for pricing and availability
10	G9008764WHBR	DUCT CVR BTM ASSY, WH/BR	1	EA	Not available online / Call for pricing and availability
10	G9008764BUBR	DUCT CVR BTM ASSY, BU/BR	1	EA	Not available online / Call for pricing and availability
10	G9008764LEBR	DUCT CVR BTM ASSY, LE/BR	1	EA	Not available online / Call for pricing and availability
10	G9008764MJBR	DUCT CVR BTM ASSY, MJ/BR	1	EA	Not available online / Call for pricing and availability

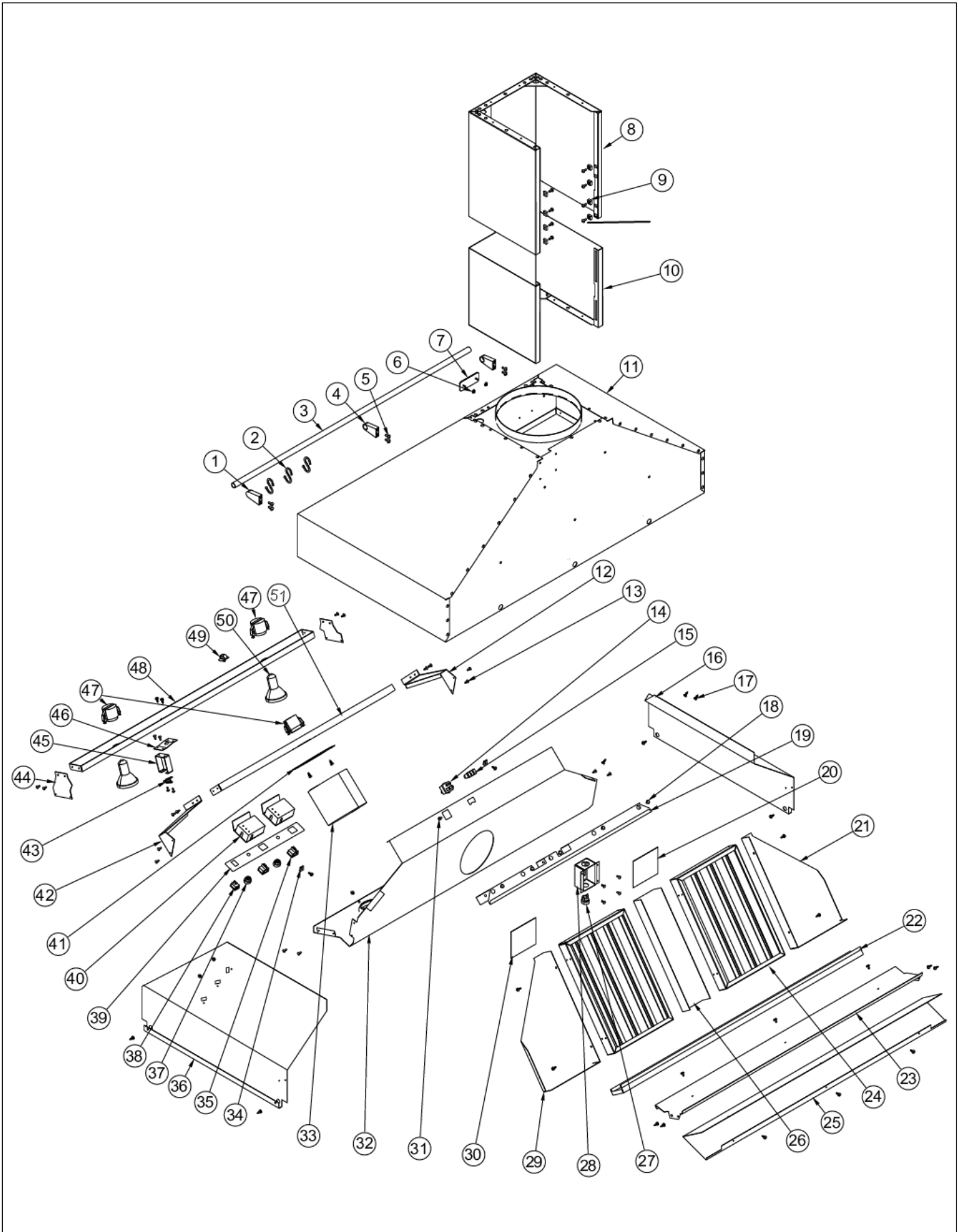




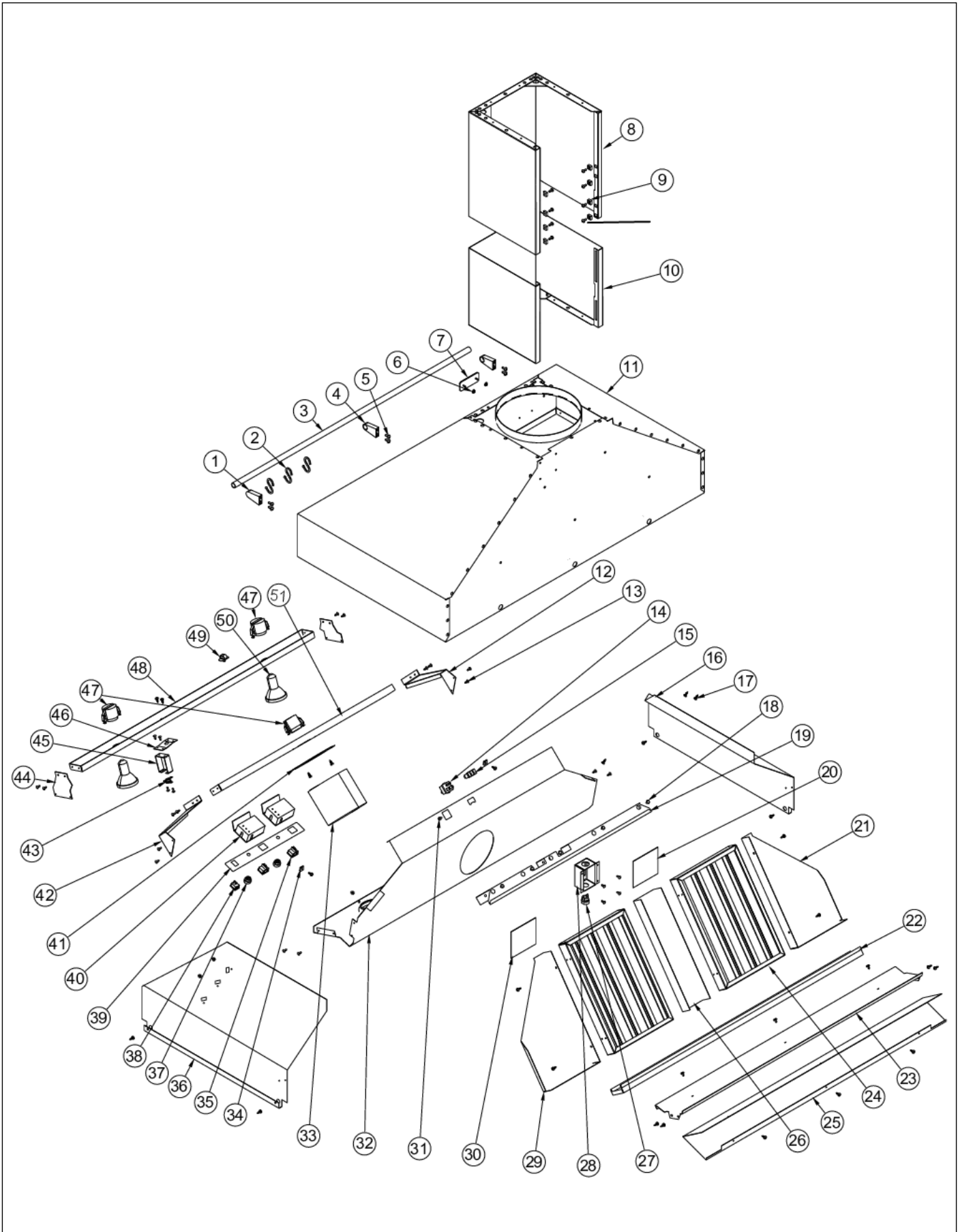
Item	Part No.	Name	Qty	Uom	NOTES
10	G9008764VBBR	DUCT CVR BTM ASSY, VB/BR	1	EA	Not available online / Call for pricing and availability
10	G9008764CBBR	DUCT CVR BTM ASSY, CB/BR	1	EA	Not available online / Call for pricing and availability
10	G9008764PLBR	DUCT CVR BTM ASSY, PL/BR	1	EA	Not available online / Call for pricing and availability
10	G9008764CHBR	DUCT CVR BTM ASSY, CH/BR	1	EA	Not available online / Call for pricing and availability
10	G9008764TPBR	DUCT CVR BTM ASSY, TP/BR	1	EA	Not available online / Call for pricing and availability
10	G9008764CWBR	DUCT CVR BTM ASSY, CW/BR	1	EA	Not available online / Call for pricing and availability
10	G9008764OGBR	DUCT CVR BTM ASSY, OG/BR	1	EA	Not available online / Call for pricing and availability
10	G9008764GMBR	DUCT CVR BTM ASSY, GM/BR	1	EA	Not available online / Call for pricing and availability
10	G9008764SABR	DUCT CVR BTM ASSY, SA/BR	1	EA	Not available online / Call for pricing and availability
10	G9008764SEBR	DUCT CVR BTM ASSY, SE/BR	1	EA	Not available online / Call for pricing and availability
10	G9008764IBBR	DUCT CVR BTM ASSY, IB/BR	1	EA	Not available online / Call for pricing and availability
10	G9008764ARBR	DUCT CVR BTM ASSY, AR/BR	1	EA	Not available online / Call for pricing and availability
10	G9008764RRBR	DUCT CVR BTM ASSY, RR/BR	1	EA	Not available online / Call for pricing and availability



Item	Part No.	Name	Qty	Uom	NOTES
10	G9008764PMBR	DUCT CVR BTM ASSY, PM/BR	1	EA	Not available online / Call for pricing and availability
10	G9008764MSBR	DUCT CVR BTM ASSY, MS/BR	1	EA	Not available online / Call for pricing and availability
11	UNSERVICEABLE	42" CANOPY ASSY (VCWH4248) SS	1	EA	
12	A2009300	LH LIGHT SUPPORT TOP (VCWH)	1	EA	
13	PC040010	POP RIVET (.063/GR -.125) GAMD42-A	24	EA	
14	PE070197	MALE SOCKET (3 PRONG)	1	EA	
15	PE070196	FEMALE SOCKET (2 PRONG)	1	EA	
16	B2008749	LH I/S SIDE (VCWH42/4848)	1	EA	NO LONGER AVAILABLE
17	PD020087	10 X 1/2 PAN PH. TEK ZINC	27	EA	
18	PD020032	SRW-8(A)X3/8"PH.WFR HD 7/16DIA*NICL	8	EA	
19	B20012438	FILTER SUPPORT BRKT (VCWH42)	1	EA	NO LONGER AVAILABLE, Not available online / Call for pricing and availability
20	PE020058	RATING LABEL (ADHESIVE)	1	EA	
21	B2008754	LH SIDE FILTER SPACER, 7.944 X 14.375	1	EA	
22	B2003887	GREASE TROUGH (VWH4248)/78	1	EA	
23	B20011030	FILTER SUPPORT TOP (VCWH42)	1	EA	
24	G3108724	BAFFLE FILTER ASSY (VWH2448) 9.625 X 14	2	EA	
25	B20011029	FILTER SUPPORT BTM (VCWH42)	1	EA	
26	B2008746	FILTER SPACER (VCWH4248) 3.3 X 14	1	EA	
27	PE070204	HEYCO STRAIN RELIEF - 7-P2	1	EA	
28	A2004678	DCWH ROUGH IN BOX	1	EA	
29	B2008753	RH SIDE FILTER SPACER, 7.994 X 14.375	1	EA	
30	PF030337	HOOD WARNING LABEL	1	EA	



Item	Part No.	Name	Qty	Uom	NOTES
31	PD020010	10 X 3/8 GREEN GROUNDING SCREW	1	EA	
32	B2008751	CONTROL PANEL (VCWH4248)	1	EA	NO LONGER AVAILABLE, Not available online / Call for pricing and availability
33	G31012427	HEAT LAMP COWLING ASSY	1	EA	
34	PD030059	TINNERMAN CLIP U-TYPE FASTNER	2	EA	
35	PE050048	FAN/LIGHT SWITCH (HOODS) EP0M11J	2	EA	
36	B2008750	RH I/S SIDE (VCWH42/4848)	1	EA	NO LONGER AVAILABLE
37	PA010071	LIGHT/MOTOR CONTROLLER KNOB	2	EA	
38	PE050050	HEAT LAMP SWITCH (A111B1100000)	1	EA	
39	PE040133	CONTROL PANEL PLATE	1	EA	
40	PE050156	PRO BLOWER CONTROL	2	EA	
41	A2003889	COWLING BRKT	1	EA	Not available online / Call for pricing and availability
42	A2009301	RH LIGHT SUPPORT TOP (VCWH)	1	EA	NO LONGER AVAILABLE, Not available online / Call for pricing and availability
43	PJ030014	HEAT SENSOR (N.O.) 160 DEG.	1	EA	
44	A20011005	BOTTOM LIGHT SUPT BRKT (VWH/VBCV/VCWH)	2	EA	NO LONGER AVAILABLE, Not available online / Call for pricing and availability
45	A2103810	THERMODISC BRACKET VWH/VIH	1	EA	
46	B2003837	HEAT SENSOR BRKT	1	EA	
47	PE050032	LIGHT SOCKET, (571V)	3	EA	
48	A20011081	BOTTOM LIGHT SUPT (VWH/VBCV/VCWH42)	1	EA	NO LONGER AVAILABLE, Not available online / Call for pricing and availability
49	PE070214	DART CLIP	1	EA	
50	PE050034	HALOGEN BULB 50W	2	EA	





Item	Part No.	Name	Qty	Uom	NOTES
51	A2003904	TOP LIGHT SUPPORT	1	EA	Not available online / Call for pricing and availability
52	PD020009	10 X 1 PH. HD. PAN HD. SMS	8	EA	
NI	PD020016	10X1 1/2 WOOD SCREWS	5	EA	
Not Shown	NOTE	(INSTALL SCREW)		EA	



Appendix A:Pages Index

VCWH4248 1



Appendix B:Parts Index

A20011005	1	G9005020GGBR	1
A20011081	1	G9005020GM	1
A2003889	1	G9005020GMBR	1
A2003904	1	G9005020IB	1
A2004678	1	G9005020IBBR	1
A2009300	1	G9005020LE	1
A2009301	1	G9005020LEBR	1
A2103810	1	G9005020MJ	1
B20011029	1	G9005020MJBR	1
B20011030	1	G9005020MS	1
B20012438	1	G9005020MSBR	1
B2003837	1	G9005020OG	1
B2003887	1	G9005020OGBR	1
B2008746	1	G9005020PL	1
B2008749	1	G9005020PLBR	1
B2008750	1	G9005020PM	1
B2008751	1	G9005020PMBR	1
B2008753	1	G9005020RR	1
B2008754	1	G9005020RRBR	1
G31012427	1	G9005020SA	1
G3105020SS	1	G9005020SABR	1
G3105020SSBR	1	G9005020SE	1
G3108724	1	G9005020SEBR	1
G3108764SS	1	G9005020SG	1
G3108764SSBR	1	G9005020SGBR	1
G9005020AR	1	G9005020TP	1
G9005020ARBR	1	G9005020TPBR	1
G9005020BK	1	G9005020VB	1
G9005020BKBR	1	G9005020VBBR	1
G9005020BT	1	G9005020WH	1
G9005020BTBR	1	G9005020WHBR	1
G9005020BU	1	G9008764AR	1
G9005020BUBR	1	G9008764ARBR	1
G9005020CB	1	G9008764BK	1
G9005020CBBR	1	G9008764BKBR	1
G9005020CH	1	G9008764BT	1
G9005020CHBR	1	G9008764BTBR	1
G9005020CW	1	G9008764BU	1
G9005020CWBR	1	G9008764BUBR	1
G9005020GG	1	G9008764CB	1
		G9008764CBBR	1



G9008764CH	1	PD020016	1
G9008764CHBR	1	PD020032	1
G9008764CW	1	PD020087	1
G9008764CWBR	1	PD030005	1
G9008764GG	1	PD030006	1
G9008764GGBR	1	PD030059	1
G9008764GM	1	PE010142	1
G9008764GMBR	1	PE020058	1
G9008764IB	1	PE030052	1
G9008764IBBR	1	PE030054	1
G9008764LE	1	PE030076	1
G9008764LEBR	1	PE030121	1
G9008764MJ	1	PE040133	1
G9008764MJBR	1	PE050032	1
G9008764MS	1	PE050034	1
G9008764MSBR	1	PE050048	1
G9008764OG	1	PE050050	1
G9008764OGBR	1	PE050156	1
G9008764PL	1	PE070196	1
G9008764PLBR	1	PE070197	1
G9008764PM	1	PE070204	1
G9008764PMBR	1	PE070214	1
G9008764RR	1	PF030337	1
G9008764RRBR	1	PJ030014	1
G9008764SA	1		
G9008764SABR	1		
G9008764SE	1		
G9008764SEBR	1		
G9008764SG	1		
G9008764SGBR	1		
G9008764TP	1		
G9008764TPBR	1		
G9008764VB	1		
G9008764VBBR	1		
G9008764WH	1		
G9008764WHBR	1		
PA010071	1		
PC040010	1		
PD010003	1		
PD020009	1		
PD020010	1		