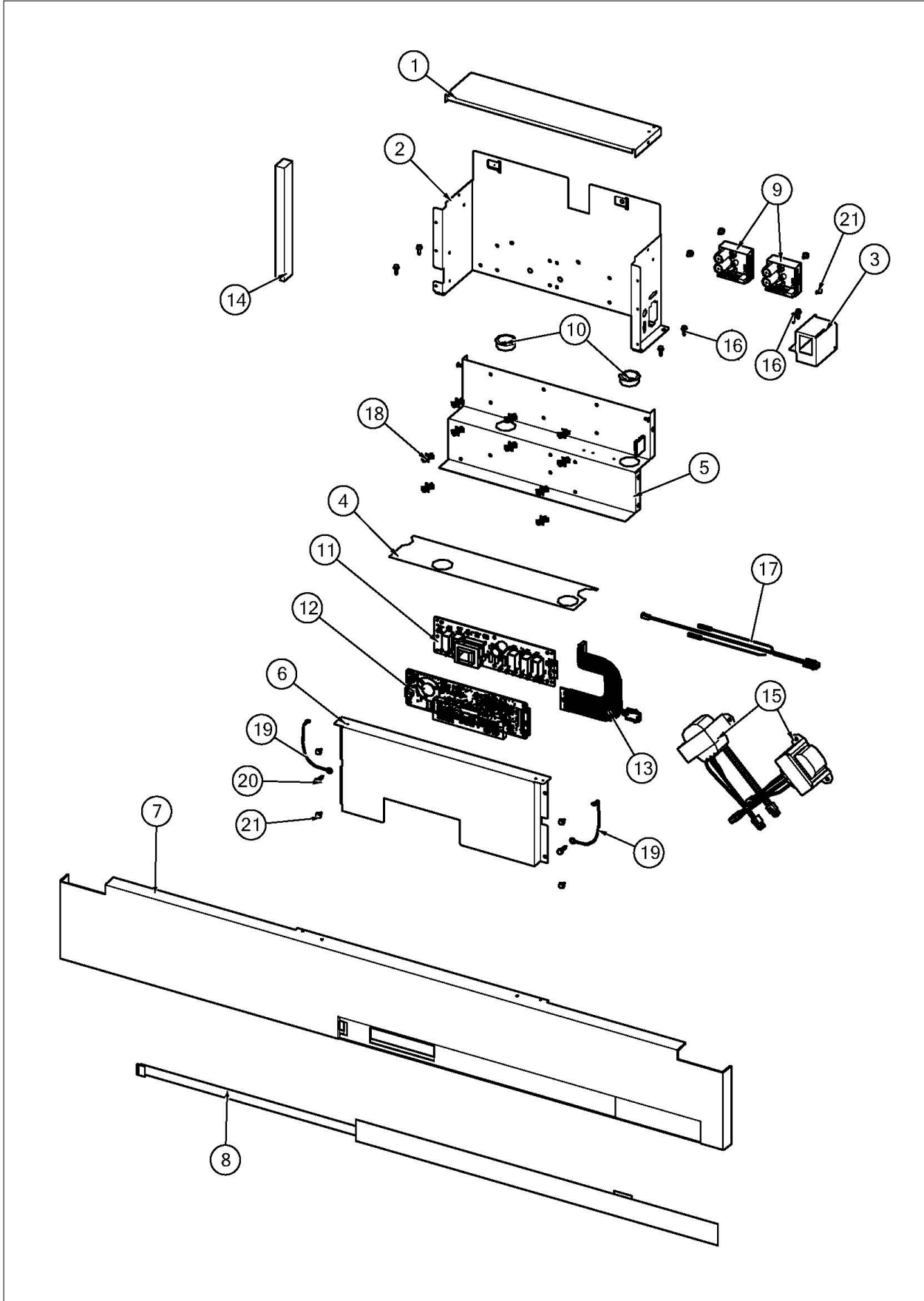


VCSB5483

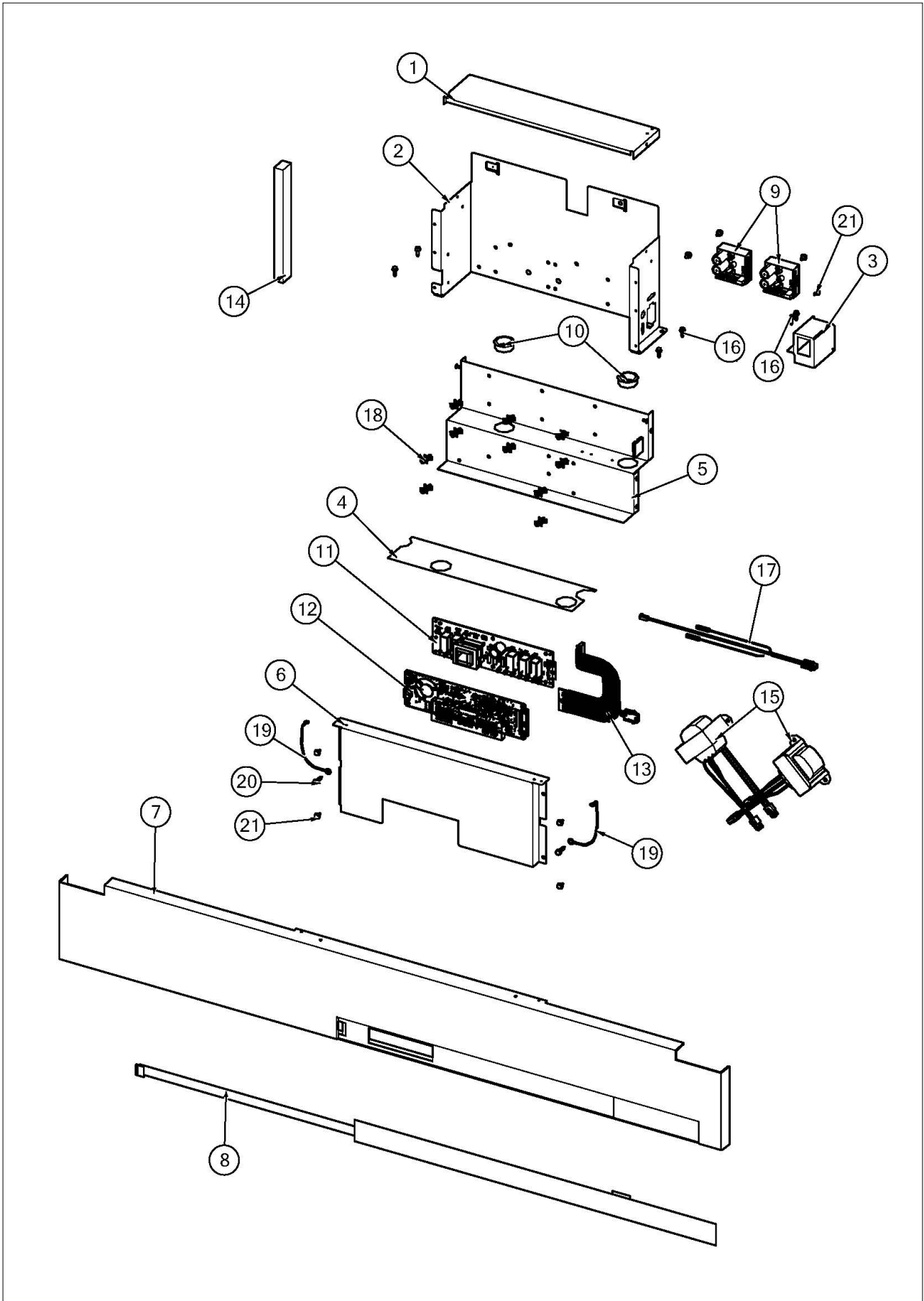
CONTROL	1
FREEZER INTERIOR	2
FRESH FOOD INTERIOR	3
UNIT TOP	4
UNIT BOTTOM	5
DECOR	6
FREEZER DOOR	7
FRESH FOOD DOOR	8
Appendix A:Pages Index	A
Appendix B:Parts Index	B

CONTROL





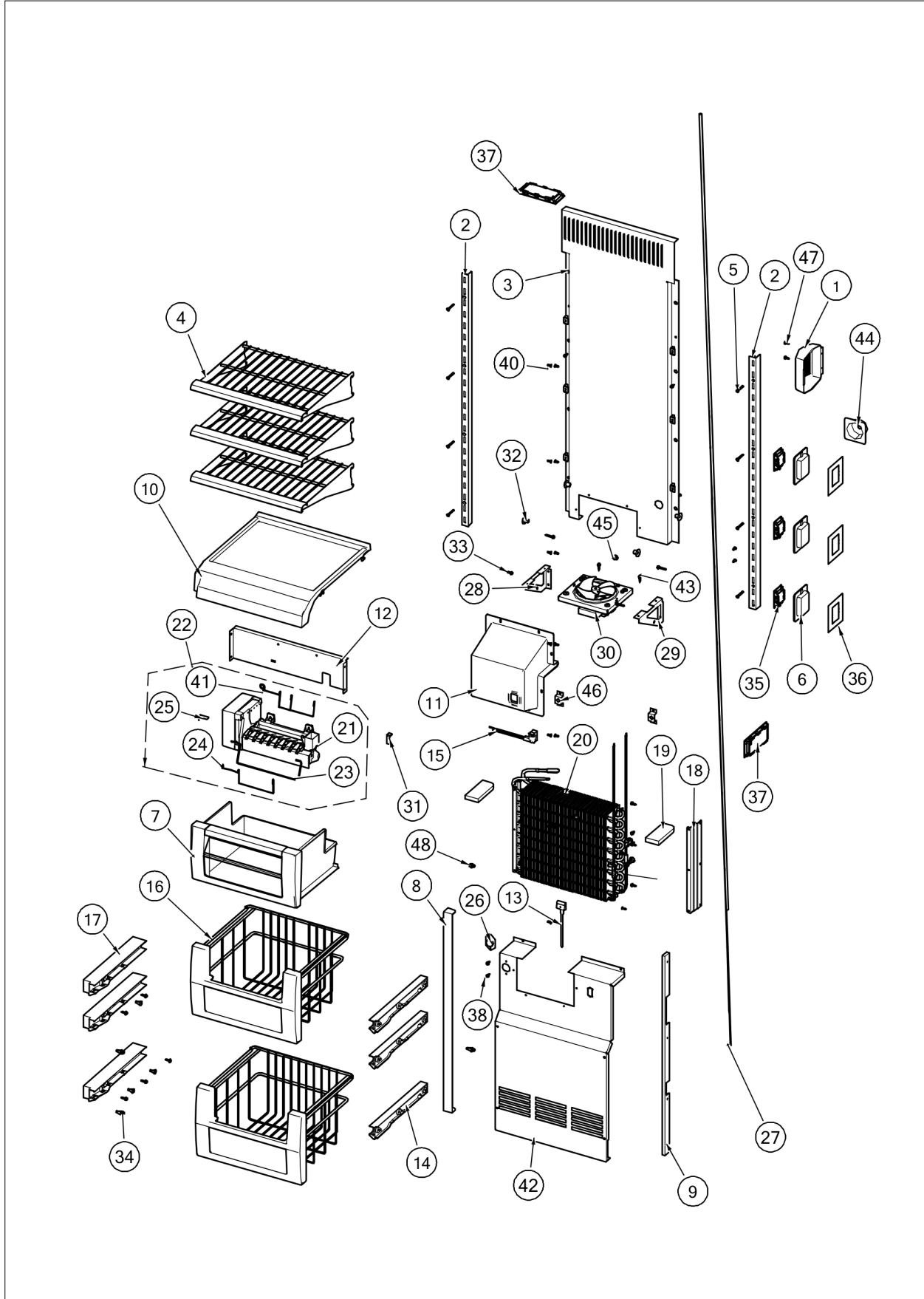
Item	Part No.	Name	Qty	Uom	NOTES
1	K20915000	CONTROL BOX TOP	1	EA	
2	047016-000	MOTOR CONTROL BOX	1	EA	
3	025433-000	BRACKET,SW,POWER	1	EA	
4	005396-000	FILM,PROTECTIVE	1	EA	
5	044479-000	MOTOR BRACKET PCB	1	EA	
6	016930-000	MOTR CONTROL BOX FRONT	1	EA	
7	016593-000	PANEL CONTROL SXS 48	1	EA	
8	054569-000	OVERLAY SWITCH ASM 48 SXS NON-DISP	1	EA	
9	046385-000	CIRCUIT, LED SOFT START 5 SERIES	2	EA	
10	A4554817	BUSHING-SNAP VA4554817	2	EA	
11	005319-000	POWER CONTROL BOARD ASM 5 SERIES	1	EA	
<p>Comments for Part Num. 005319-000</p> <p>boltz on Apr 12, 2018 See TR-0056-SP Bulletin</p>					
12	057309-000	BOARD, LOW VOLTAGE	1	EA	
<p>Comments for Part Num. 057309-000</p> <p>gboltz@VikingRange.com on Apr 29, 2019 SEE TTR-0010 for installation</p>					
13	PE970464	HARNESS LOW VOLT 5 SERIES	1	EA	
14	A3030361	GASKET RED	1	EA	
15	046386-000	TRANSFORMER, LED SOFT START 5 SERIES	2	EA	
16	PD020194	SCR, HEX SRTD WSHR HD, #8- 18 X 1/2	4	EA	
17	PE970609	HARNESS CONTROL BOARD 5 SERIES	1	EA	
18	M0585504	SUPPORT	10	EA	
19	12064001	SUPP-CONT PANEL	2	EA	
20	M0238859	SCREW-SHLDR	2	EA	
21	PD020193	SCR 8-18 X 3/8	8	EA	
NI	048643-000	HARNESS, HIGH VOLTAGE	1	EA	



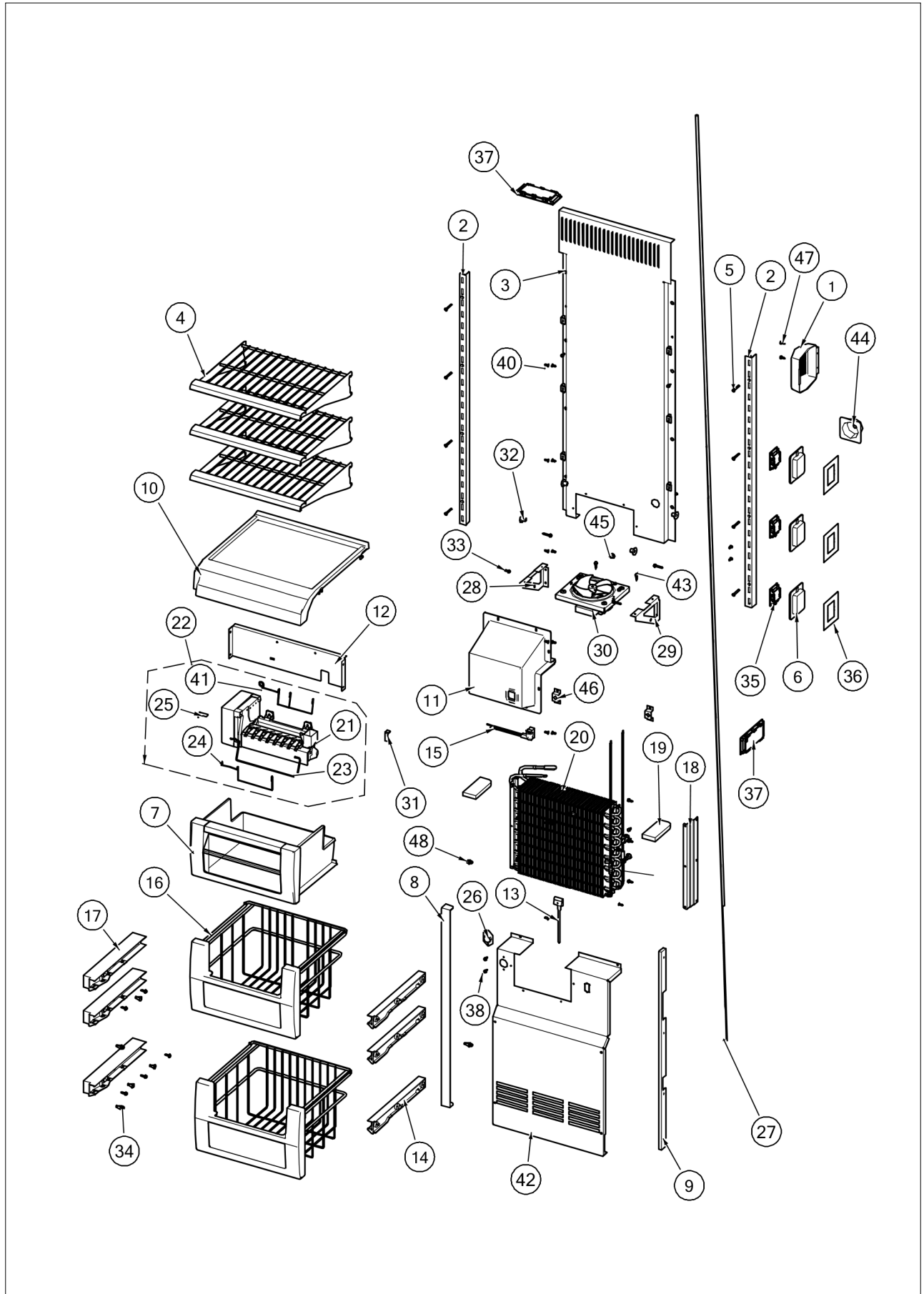


Item	Part No.	Name	Qty	Uom	NOTES
NI	048680-000	HARNESS, POWER SUPPLY, LED, BM/SXS	1	EA	
NI	A3189370	GASKET-FOAM VA3189370	1	EA	

FREEZER INTERIOR



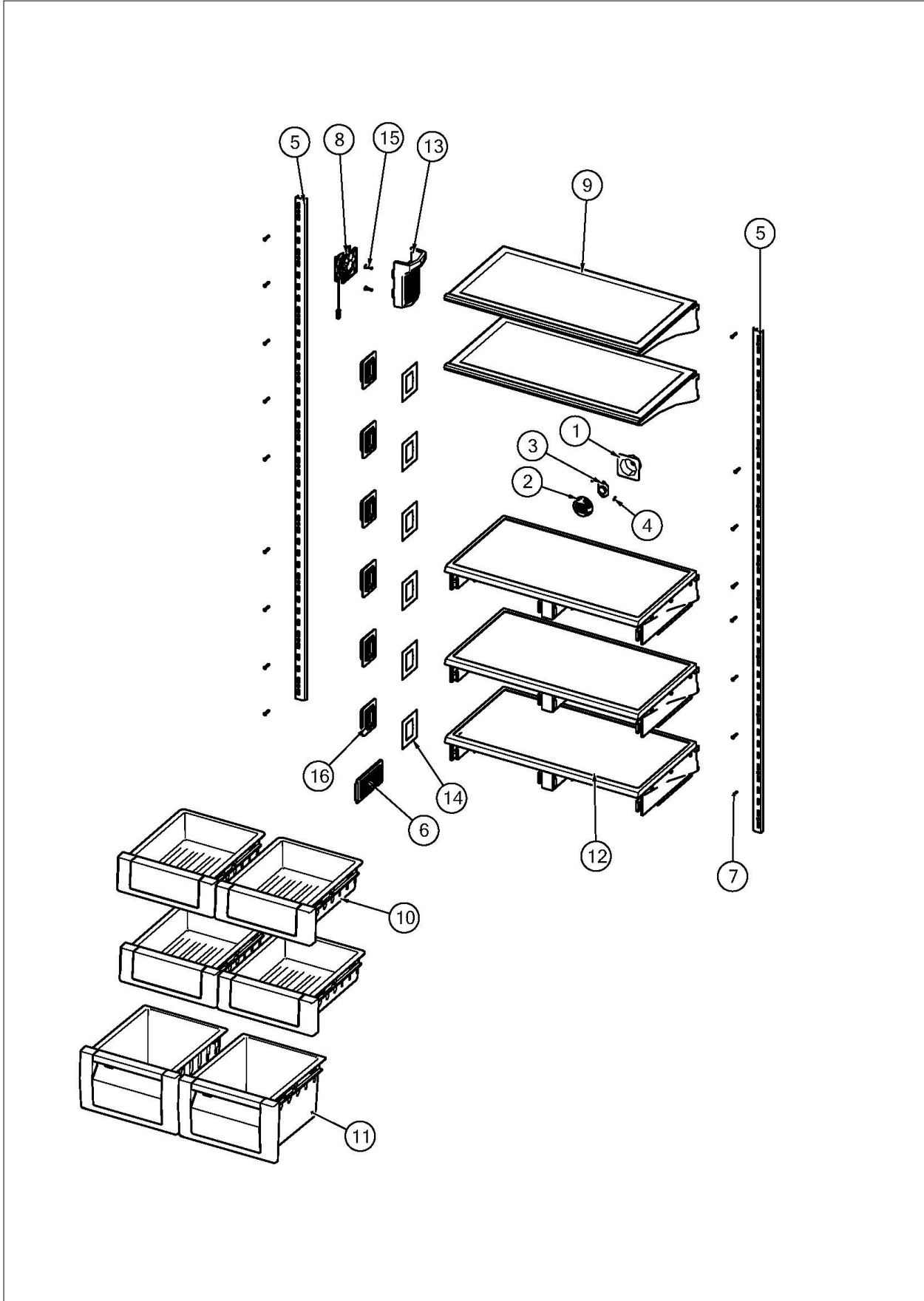
Item	Part No.	Name	Qty	Uom	NOTES
1	053283-000	COVER, FAN, SXS, FREEZER	1	EA	Not available online / Call for pricing and availability
2	12231701	LADDER-FZ L/R SIDE 42/48	2	EA	
3	L2097181	COVER EVAP UPPER SXS 48	1	EA	
4	PM910411	SHELF WIRE AF 36	3	EA	
5	M0238535	SCREW-SM	8	EA	
6	046358-000	LED CUP ASSY (3)	3	EA	
7	PK930076	ICE PAN ASM SXS 48	1	EA	
8	PK930073	CLOSEOUT SIDE SXS 48 FZ L	1	EA	
9	12304301	CLOSEOUT-FZ SIDE #	1	EA	
10	PK930079	SHELF COVER SXS 48 FZ	1	EA	
11	PK930150	COVER CTR EVAP SXS	1	EA	
12	C2097183	SUPPORT IM ND SXS 48	1	EA	
13	057350-000	EXTENSION, DFR, HEATER, BM	1	EA	
14	PK930074	GLIDE SXS 48 FZ R	3	EA	
15	058966-000	THERMOSTAT, SNAP ACTION, 55 OPEN 20 CLOSE	1	EA	
16	PM910190	BASKET ASM FZ	2	EA	
17	PK930075	GLIDE SXS 48 FZ L	3	EA	
18	053200-000	BRKT- EVAP COVER 12234801	1	EA	Not available online / Call for pricing and availability
19	10629001	BLOCK-R AIR COIL RED	2	EA	
20	G50910020	EVAP ASM SXS	1	EA	
21	043156-000	ICEMAKER ASSEMBLY	1	EA	
22	057731-000	ICEMAKER	1	EA	
NI	023112-000	HARNESS,ICE MAKER	1	EA	
23	002329-000	ARM, IM SHUTOFF	1	EA	
24	007082-000	WIRE, IM SHUTOFF	1	EA	
25	PD030155	CLIP-IM FILL CUP	1	EA	
26	C8983701	THERMISTOR	1	EA	
27	053308-000	HEAT EXCHANGER ASM SXS 42	1	EA	
28	K2096458	BRKT-L-EVAP-FAN 12223102	1	EA	





Item	Part No.	Name	Qty	Uom	NOTES
29	K2096457	BRKT-R-EVAP FAN 12223101	1	EA	
30	G5098660	FAN EVAP ASM PANASONIC	1	EA	
31	10526701	CLAMP-WIRE V10526701	1	EA	
32	12258501	SUPPORT-SHELF	4	EA	
33	M0211021	SCREW-SM	4	EA	
34	PD020195	SCR 8-18 X 5/8	11	EA	
35	042764-000	LED LIGHT, 3-POINT	3	EA	
36	044694-000	LED SHIM, SMALL SINGLE	6	EA	
37	042766-000	LED LIGHT, 8-POINT	2	EA	
38	M0253916	SCR 8-32 SHXW 3/8 TRI-LOBE	2	EA	
39	M0581001	GROMMET-SCREW VM0581001	9	EA	
40	M0215318	SCREW-SM	16	EA	
41	054453-000	WIRE, IM SHUTOFF	1	EA	
42	053191-000	COVER EVAP LOWER SXS	1	EA	Not available online / Call for pricing and availability
43	M0238859	SCREW-SHLDR	4	EA	
44	053258-000	COVER, SXS, WIRES	1	EA	Not available online / Call for pricing and availability
45	12102501	RET-HARNESS	2	EA	
46	K2096456	BRKT-EVAP CLIP 12215101	2	EA	
47	PD020194	SCR, HEX SRTD WSHR HD, #8- 18 X 1/2	2	EA	
48	M0581001	GROMMET-SCREW VM0581001	1	EA	
49	PJ910031	HEATER EVAP SXS	1	EA	
NI	A3189370	GASKET-FOAM VA3189370	1	EA	
NI	A3030303	GASKET	1	EA	
NI	A3030361	GASKET RED	2	EA	
NI	A3189348	GASKET-FOAM VA3189348	2	EA	
NI	M0321209	TIE-ELEC	1	EA	

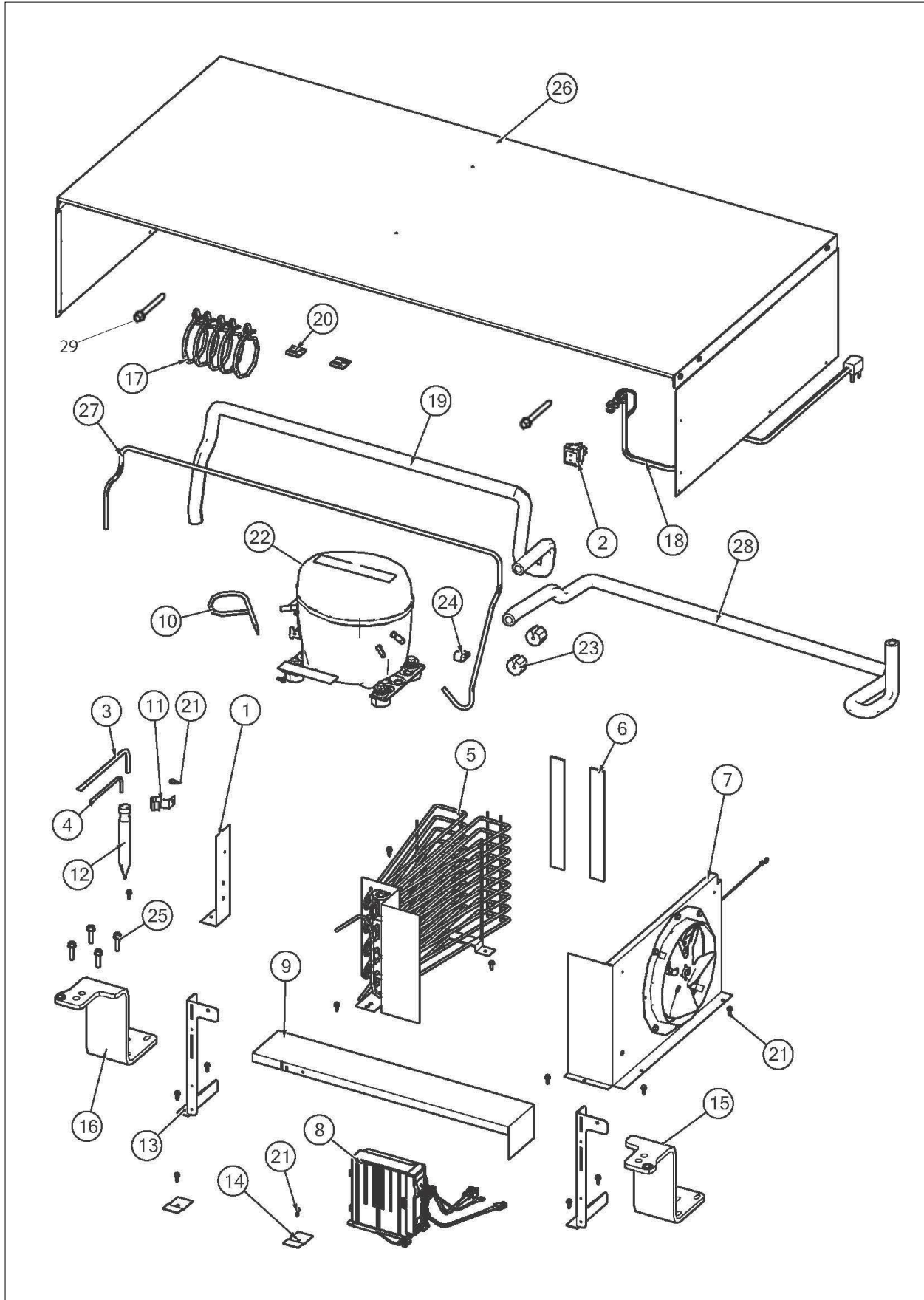
FRESH FOOD INTERIOR





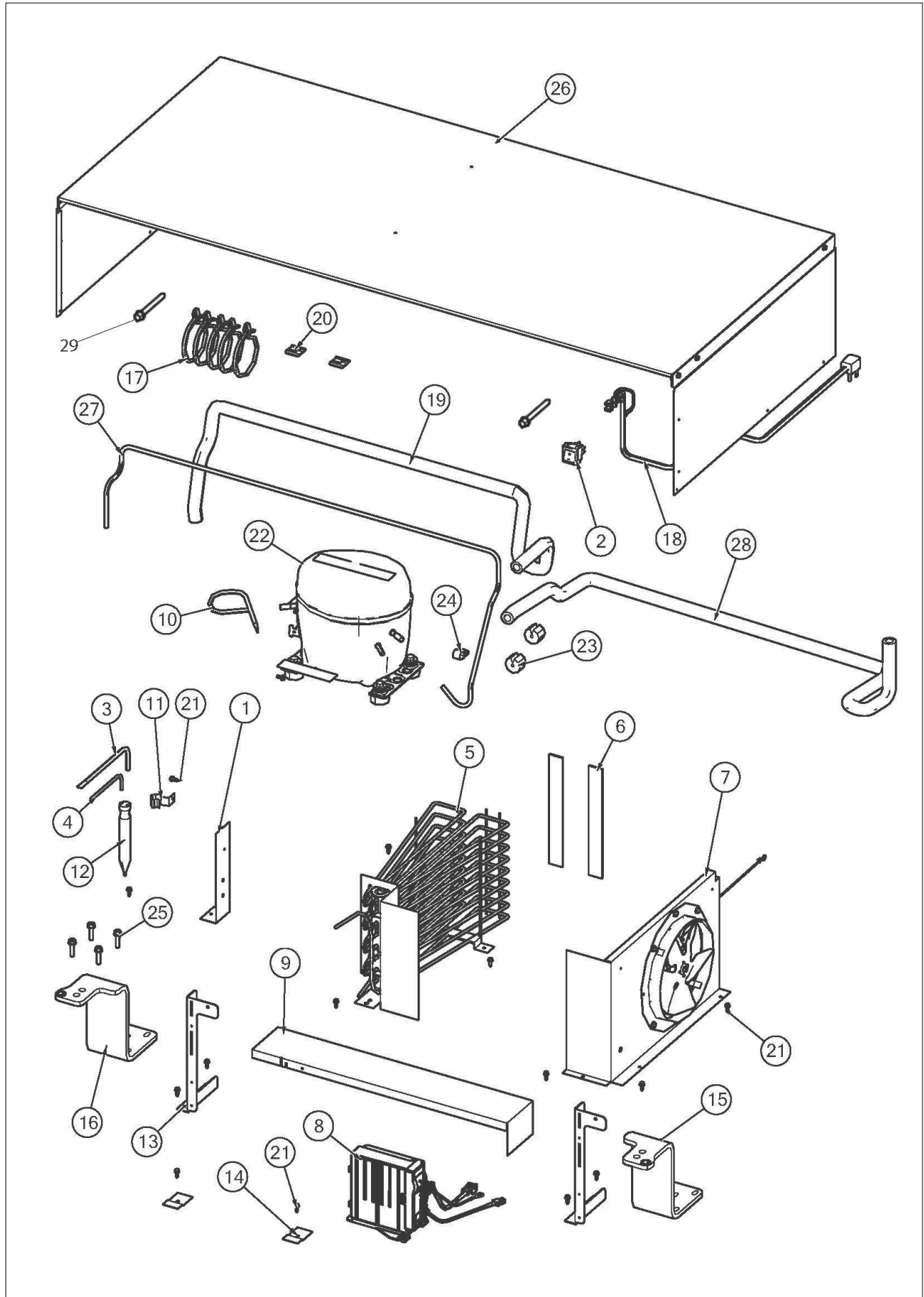
Item	Part No.	Name	Qty	Uom	NOTES
1	053258-000	COVER, SXS, WIRES	1	EA	Not available online / Call for pricing and availability
2	053248-000	COVER, SXS, THERM	1	EA	
3	C8983701	THERMISTOR	1	EA	
4	M0215318	SCREW-SM	2	EA	
5	053004-000	LADDER SXS 42 48	2	EA	Not available online / Call for pricing and availability
6	053183-000	COVER, FF, SXS	1	EA	Not available online / Call for pricing and availability
7	013397-000	1" PAINTED LADDER SCREW	20	EA	
8	020467-000	FAN,AXIAL,80X80X25MM 24 VDC	1	EA	
9	042675-000	SHELF, GL, 48" GLASS SHELF ASSY	2	EA	
10	G32911938	DRAWER DELI ASM SXS 48 AR 30	4	EA	
11	012259-000	DRAWER PRODUCE ASM AR 30/48	2	EA	
12	045819-000	SHELF ASM 48 FOL	3	EA	
13	053302-000	COVER, FAN, FF, SXS, 42/48	1	EA	
14	044694-000	LED SHIM, SMALL SINGLE	6	EA	
15	007301-000	GROMMET,RUBBER	2	EA	
16	046358-000	LED CUP ASSY (3)	6	EA	
NI	011059-000	HARNESS, JUMPER	1	EA	

UNIT TOP





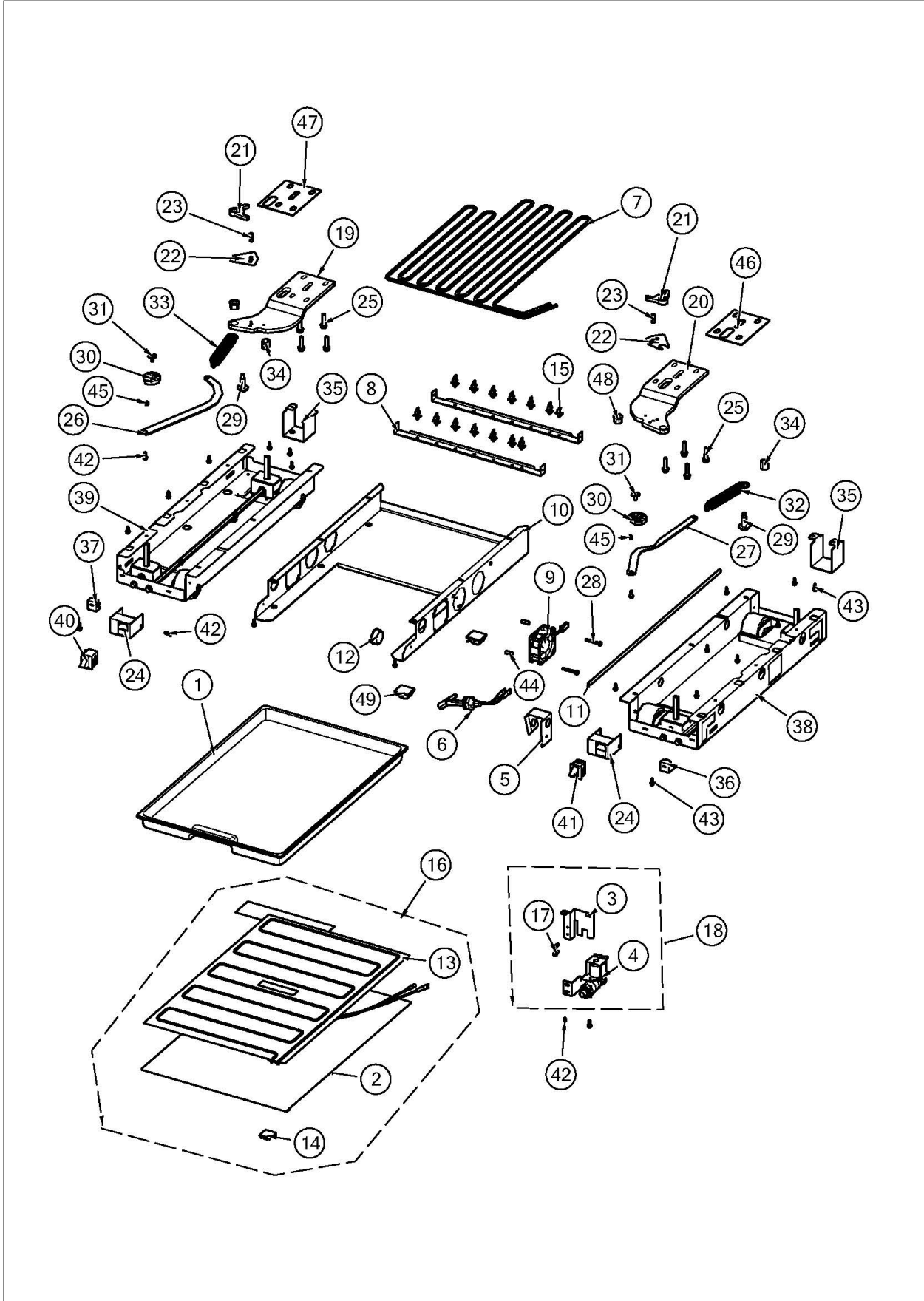
Item	Part No.	Name	Qty	Uom	NOTES
1	K2099454	BRACKET DRIER	1	EA	
2	PE950149	SWITCH POWER	1	EA	
3	F2097740	TUBE PROCESS	1	EA	
4	F2096504	TUBE-DRIER EXT	1	EA	
5	PB920171	CONDENSER ASM	1	EA	
6	A3189370	GASKET-FOAM VA3189370	2	EA	
7	050903-000	CONDENSER FAN ASM	1	EA	
8	050926-000	INVERTER, CMPR, ASM	1	EA	
9	014519-000	DIVERTER AIR HI SIDE SXS	1	EA	
10	F2096507	TUBE-PROCESS GRN	1	EA	
11	10547001	CLIP-DRIER V10547001	1	EA	
12	PM010616	DRIER - HIGH SIDE	1	EA	
13	014190-000	BRACKET, GRILLE SUPPORT	2	EA	
14	K2096943	PANEL BRACKET	2	EA	
15	044359-000	UPPER HINGE ASM, RH 30/36AFAR,42,48	1	EA	
16	044358-000	UPPER HINGE ASM, LH 30/36AFAR, 42, 48	1	EA	
17	M0322202	TIE-WIRE	6	EA	
18	10916507	CORD-POWER 5 SERIES	1	EA	
19	PB970188	INSULATION TUBING 45.000 5 SERIES	1	EA	
20	M0104106	CLIP-CORD VM0104106	2	EA	
21	PD020194	SCR, HEX SRTD WSHR HD, #8- 18 X 1/2	11	EA	
22	051587-000	VEGD 8H COMPRESSOR	1	EA	
23	10699601	DAMPER-TUBING .8	2	EA	
24	PD030118	INSULATED CLAMP	1	EA	
25	000570-000	FASTENER, BOLT, 1/4-20 IHXWS 1" S ZN SER	8	EA	
26	052700-000	MC COVER ASM BI 48	1	EA	Not available online / Call for pricing and availability
27	054407-000	TUBING, DISCHARGE	1	EA	Not available online / Call for pricing and availability





Item	Part No.	Name	Qty	Uom	NOTES
28	PB970187	INSULATION TUBING 57.500 WC, 5 SERIES	1	EA	
29	PD020233	SCR LAG 5/16-9 GX 5/16X7/16 WAF IHXW 3 S ZN	2	EA	
NI	043371-000	HARNESS, MC	1	EA	

UNIT BOTTOM





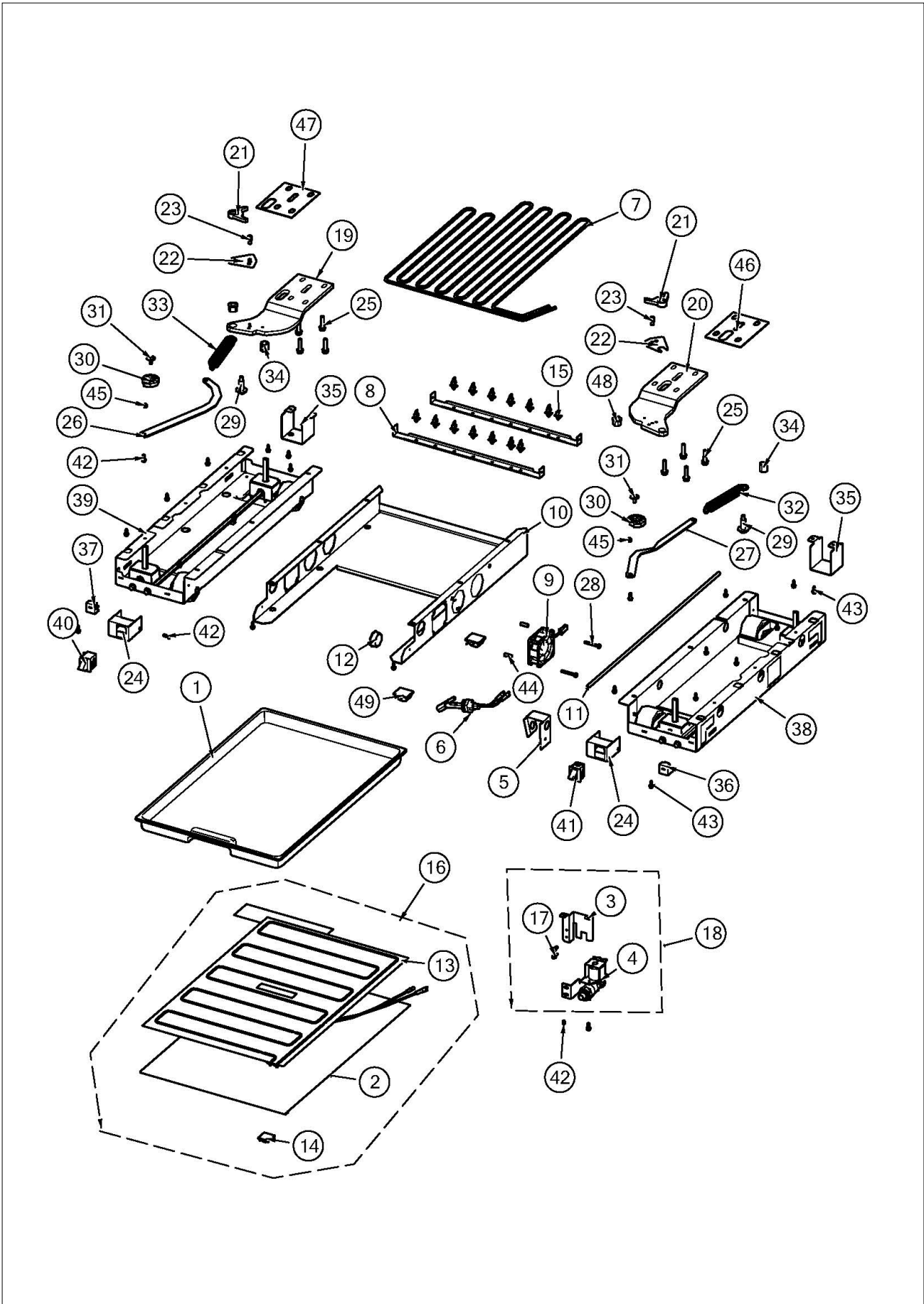
Item	Part No.	Name	Qty	Uom	NOTES
1	PK930348	PAN DRAIN	1	EA	
2	L20914124	TRAY PAN HEATER	1	EA	Not available online / Call for pricing and availability
3	K20913788	BRKT VALVE H2O SINGLE	1	EA	
4	PA970012	SINGLE WATER VALVE	1	EA	
5	B20915627	BRACKET HORIZ FLOAT SWITCH	1	EA	
6	PE050248	FLOAT SWITCH HORIZONTAL	1	EA	
7	F20915693	SERPENTINE CONDENSER DRAIN ALL SXS'S	1	EA	
8	K20911831	BRACKET CONDENSATE SUPPORT	2	EA	
9	004551-000	AXIAL FAN	1	EA	

Comments for Part Num. 004551-000

gboltz@VikingRange.com on Jul 21, 2016

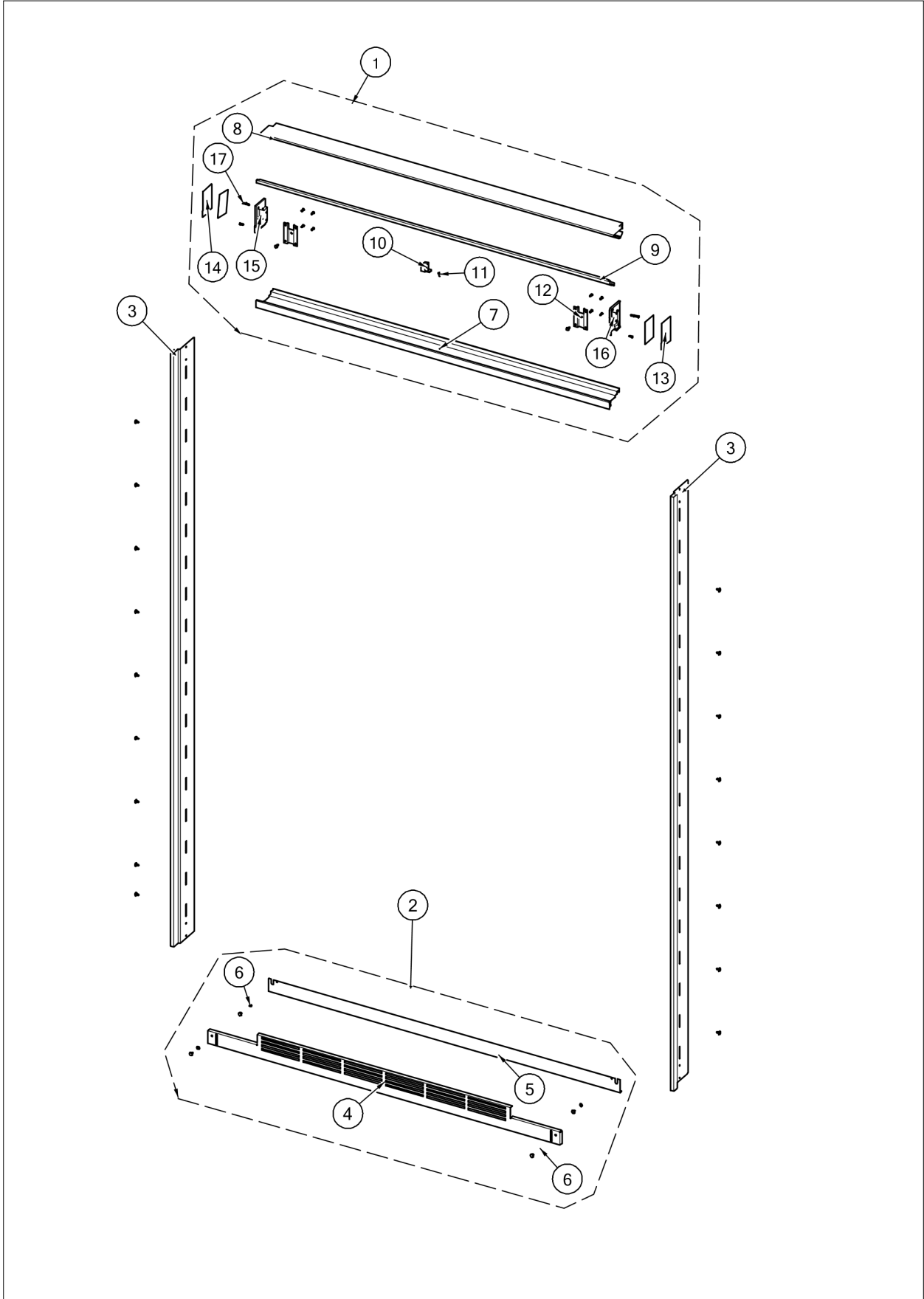
View service bulletin TR-0052-SP before ordering fan, if applicable order kit instead of fan

10	K20915952	SHIELD BOTTOM DRAIN	1	EA	
11	044034-000	TUBING, ROLL, PEX 1/4"	1	EA	
12	A4554817	BUSHING-SNAP VA4554817	1	EA	
13	G50911853	TRAY PAN HEATER	1	EA	
14	M0104106	CLIP-CORD VM0104106	1	EA	
15	PD030146	STAND OFF LOCK CLIP	14	EA	
16	G50911853	TRAY PAN HEATER	1	EA	
17	M0220417	SCREW-TC	2	EA	
18	G32913789	BRKT & VALVE H2O SNGL ASM	1	EA	
19	044046-000	HINGE PLATE, LH, LWR 30/36AFAR, 42, 48	1	EA	
20	044026-000	HINGE PLATE, RH, LWR 30/36ARAF, 42, 48	1	EA	
21	044372-000	BUSHING, DOOR STOP	2	EA	
22	044511-000	PLATE, DOOR, SHIM	2	EA	
23	044374-000	PIN, DOOR STOP	2	EA	
24	044939-000	BRACKET, LT SWITCH	2	EA	



Item	Part No.	Name	Qty	Uom	NOTES
25	000570-000	FASTENER, BOLT, 1/4-20 IHXWS 1" S ZN SER	8	EA	
26	043258-000	BAR, BOTTOM HINGE, LH, WC	1	EA	
27	043261-000	BAR, BOTTOM HINGE, RH, WC	1	EA	
28	PD020274	SCR SLTD HEX WSHR HD 8X1.250 BT	2	EA	
29	M0221523	SCREW - SHLDR	2	EA	
30	044370-000	CAM DOOR ADJUSTMENT (SXS)	2	EA	
31	044377-000	WSHR FENDER, .219 X .68 X .030	2	EA	
32	003867-000	SPRING EXTENSION	1	EA	
33	PC910015	SPRING EXTENSION	1	EA	
34	PD940107	ROUND SPRING SPACER	2	EA	
35	053261-000	U CHANNEL	2	EA	Not available online / Call for pricing and availability
36	K2098044	BRKT GRILLE SUPPORT	1	EA	
37	K2098096	BRKT GRILLE SUPPORT	1	EA	
38	060890-000	LEVELER MODULE R	1	EA	
39	060891-000	LEVELER MODULE L	1	EA	
40	046062-000	SWITCH, SPDT GRAY	1	EA	
41	046063-000	SWITCH, SPST NC GRAY	1	EA	
42	M0220417	SCREW-TC	6	EA	
43	PD020194	SCR, HEX SRTD WSHR HD, #8- 18 X 1/2	24	EA	
44	011332-000	SPACER,NYL	2	EA	
45	PD940094	BUSHING	2	EA	
46	000537-000	SPACER BOTTOM HINGE LR	1	EA	
47	000538-000	SPACER BOTTOM HINGE LL	1	EA	
48	044373-000	BUSHING, DOOR LEVEL	2	EA	
49	M0104102	CLIP-CORD RED	2	EA	
NI	PM010555	VALVE CONNECTION BAG ASM	1	EA	

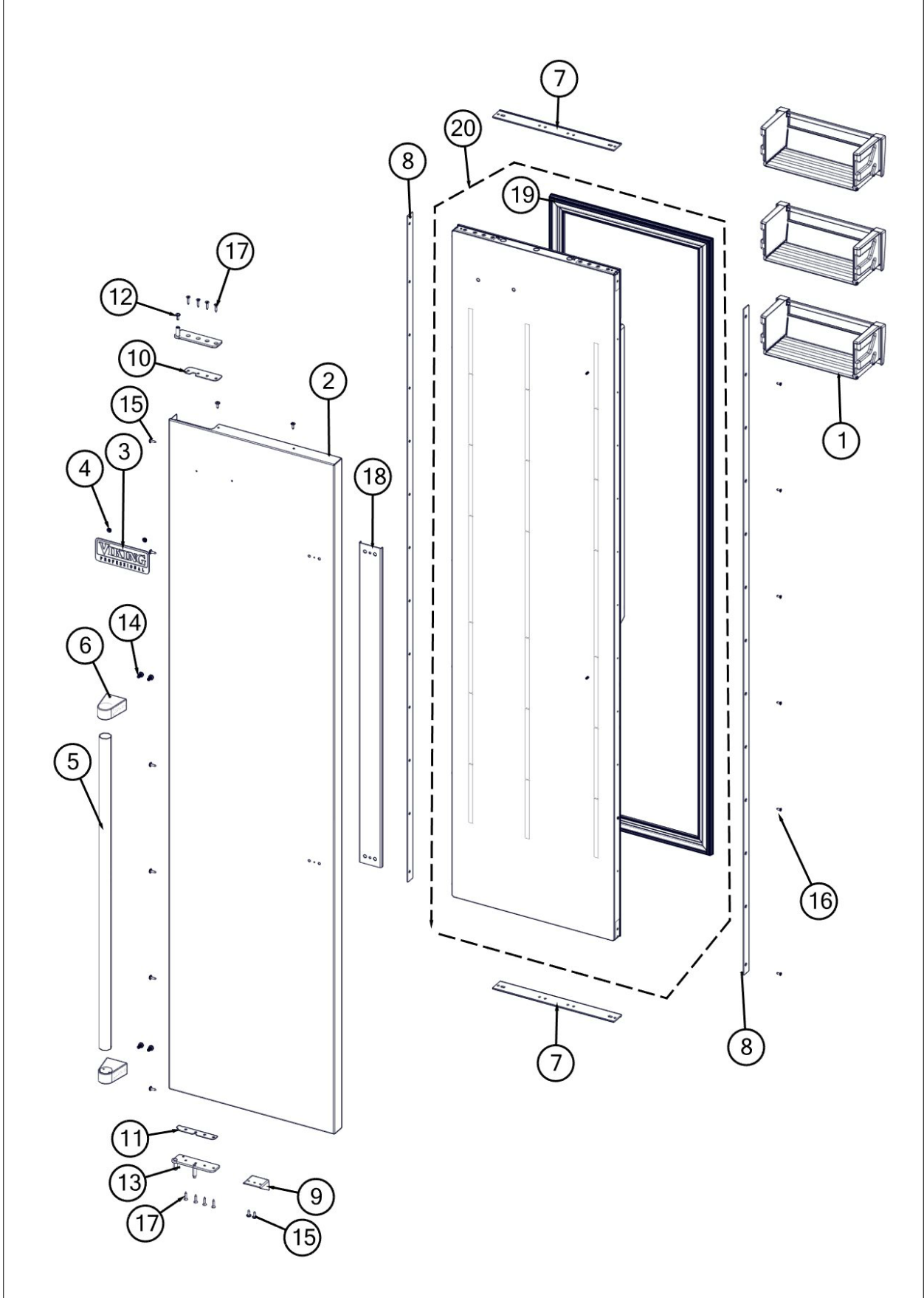
DECOR



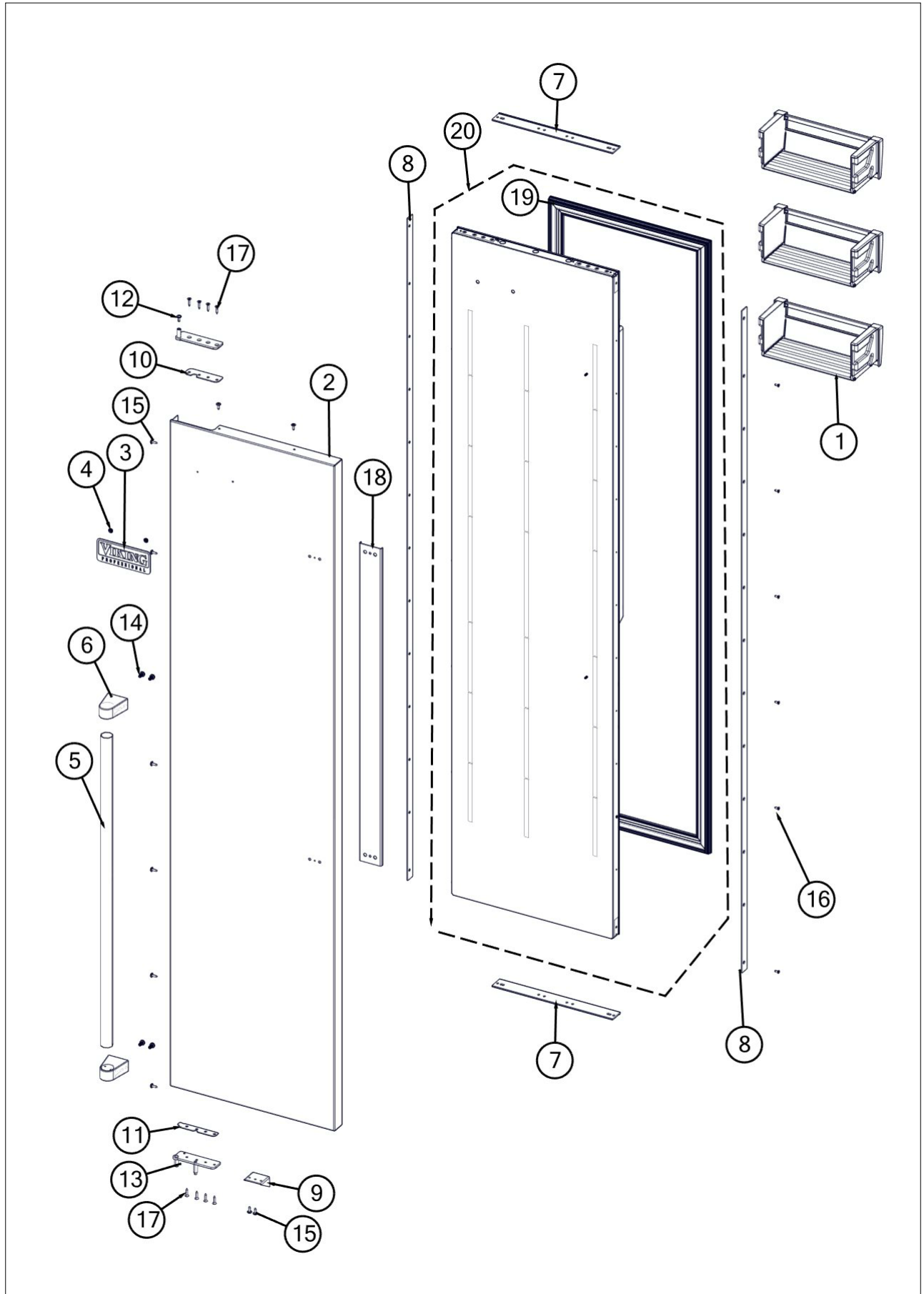


Item	Part No.	Name	Qty	Uom	NOTES
1	053428-000	GRILLE, ASM, 48 SXS, PRO	1	EA	
2	045013-000	GRILLE, TOE, ASM, 48 SXS	1	EA	
3	053836-000	TRIM, SXS, DEEPER	2	EA	
4	045011-000	VENT, TOE, GRILLE, 48 SXS	1	EA	
5	045012-000	SOLID, TOE, GRILLE, 48 SXS	1	EA	
6	40370P01	NYLON FLAT WASHER V40370P01	4	EA	
7	016194-000	GRILLE LOWER SXS 48 DES	1	EA	
8	016197-000	GRILLE UPPER SXS 48 DES	1	EA	
9	052891-000	LOUVER, CTR, 48	1	EA	
10	PM910084	SUPPORT GRILLE 12201201	1	EA	
11	M0230028	SCREW-TC	1	EA	
12	PK050004	BRACKET GRILLE 5 SERIES	2	EA	
13	033729-000	ENDCAP, GRILLE, R, HINGE	1	EA	
14	033709-000	ENDCAP, GRILLE, L, HINGE	1	EA	
15	PM910349	END CAP GRILLE L	1	EA	
16	PM910348	ENP CAP GRILLE R	1	EA	
17	003004-000	8 - 18 X 1/2 ZN/CLR PHIL FLAT TRIM HD #5 TYPE AB TAPPING SCREW	14	EA	
21	PD020032	SRW-8(A)X3/8"PH.WFR HD 7/16DIA*NICL	18	EA	

FREEZER DOOR



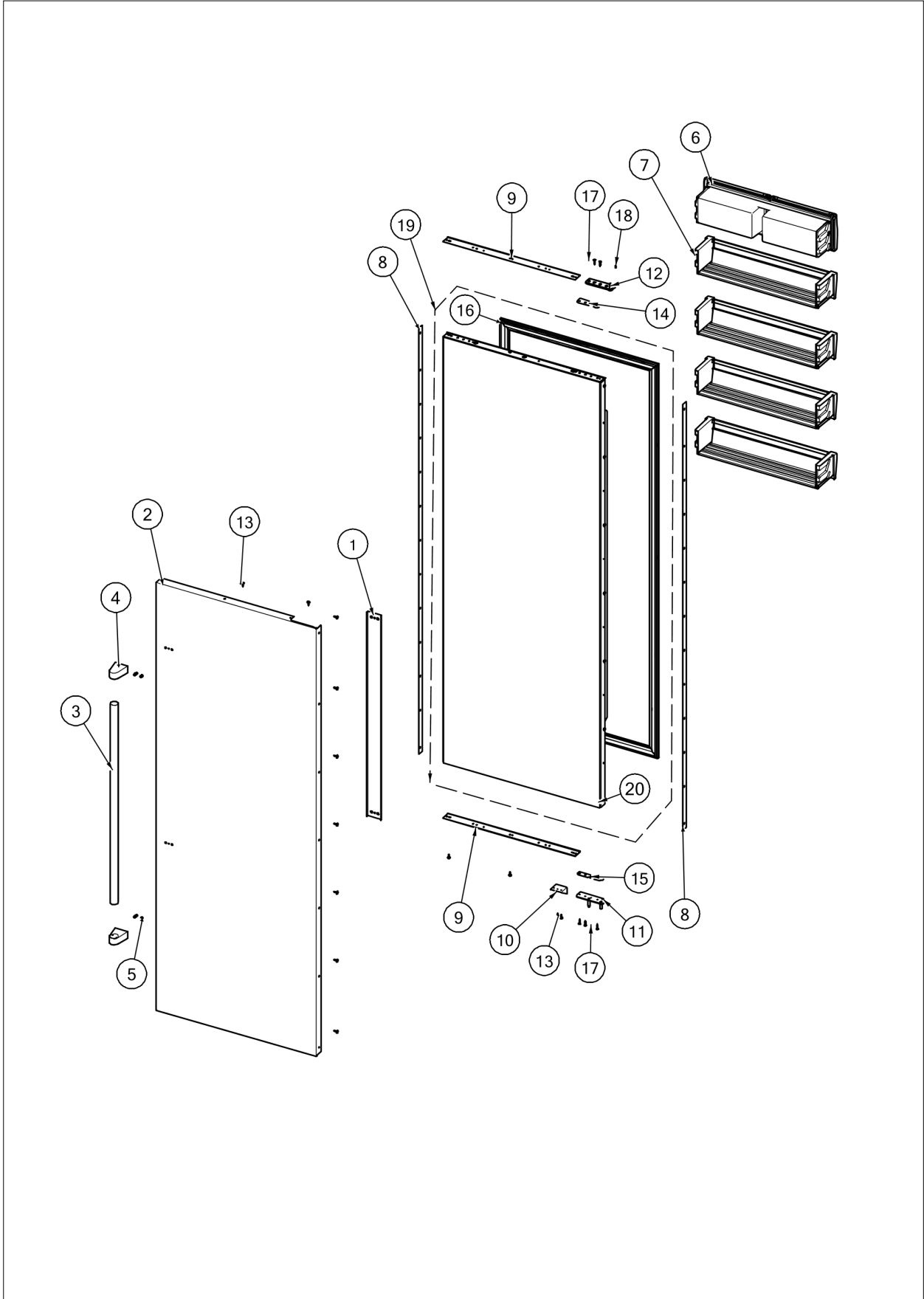
Item	Part No.	Name	Qty	Uom	NOTES
1	036888-000	DOORBIN ASM SXS FZ	3	EA	
2	044036-000	SKIN, DOOR, SXS 48 PRO FZ SS	1	EA	
2	054698-002	SKIN, DOOR, SXS 48 PRO FZ BK	1	EA	
2	054698-005	SKIN, DOOR, SXS 48 PRO FZ GG	1	EA	Not available online / Call for pricing and availability
2	054698-008	SKIN, DOOR, SXS 48 PRO FZ BU	1	EA	Not available online / Call for pricing and availability
2	054698-013	SKIN, DOOR, SXS 48 PRO FZ CB	1	EA	
2	054698-024	SKIN, DOOR, SXS 48 PRO FZ AR	1	EA	Not available online / Call for pricing and availability
2	054698-006	SKIN, DOOR, SXS 48 PRO FZ WH	1	EA	Not available online / Call for pricing and availability
3	PE010030	LOGO	1	EA	
4	PD030006	CAPPED WASHER PAL NUT	2	EA	
5	030894-000	HANDLE, DOOR 36 BRIGADE	1	EA	
6	026965-000	ENDCAP, DOOR, HDL ASSY	2	EA	
7	056842-000	TRIM, FRZ, TOP/BTM, 48	2	EA	
8	014581-000	SPACER, TRIM, SXS, AF, AR	2	EA	
9	044314-000	STRIKER, DOOR SWITCH	1	EA	
10	044859-000	SPACER 4-HOLE, SILVER POWDER COATED	1	EA	
11	PD040162	SPACER-DOOR HINGE	1	EA	
12	PD020234	SCREW THP 10-32 X .500 SS BO	1	EA	
13	044344-000	PIVOT PL ASM LH LW PRO/DES	1	EA	
14	035647-000	FASTENER, BOLT, HXH, SST	4	EA	
15	M0210458	SCR 8-18 X 5/8 WAFER PH SMS	11	EA	
16	M0215318	SCREW-SM	7	EA	
17	PD920174	10X7/8 PHILLIPS SMA TRI LOBE SA	8	EA	
18	042374-000	BRACKET, HANDLE SUPPORT	1	EA	





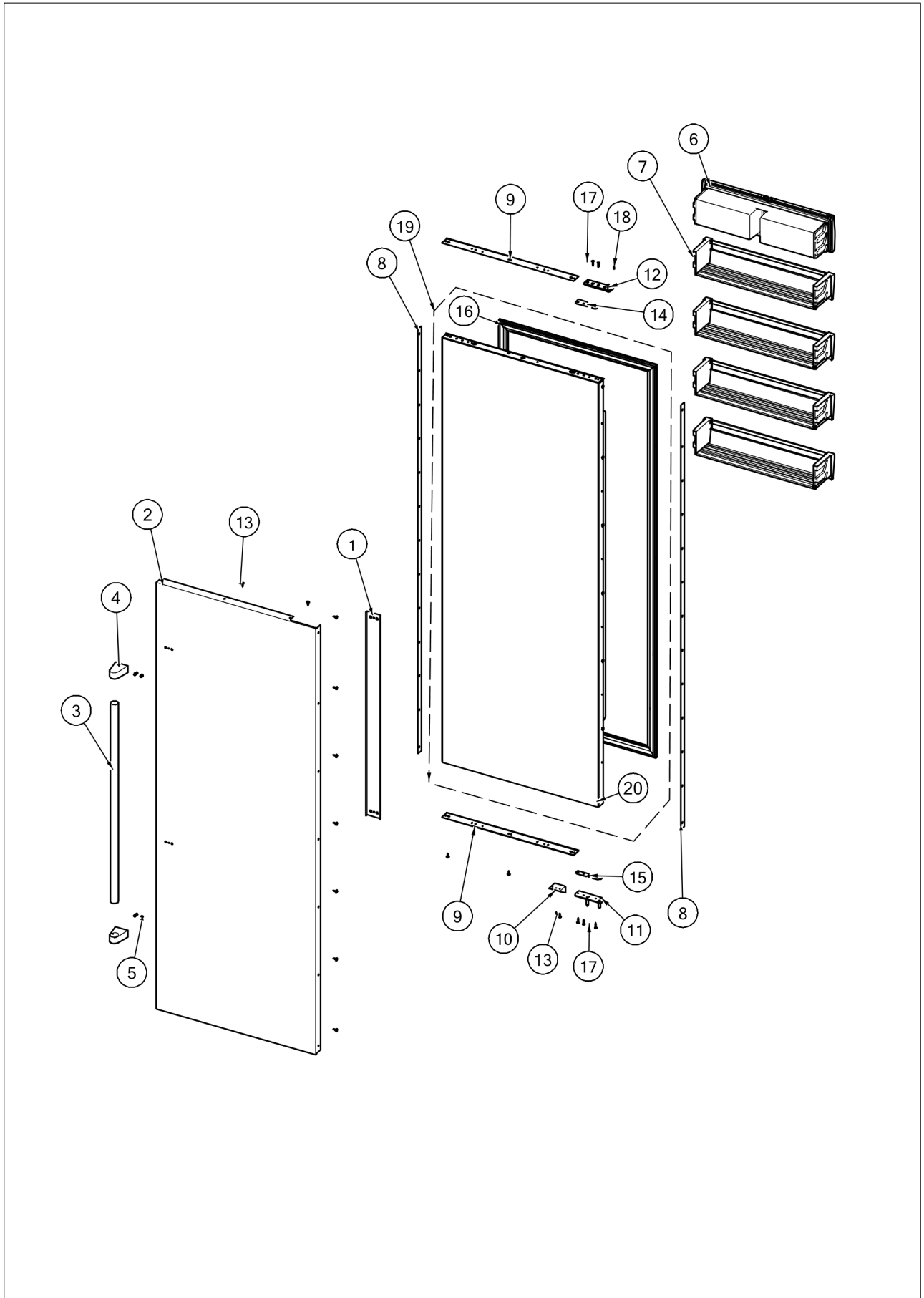
Item	Part No.	Name	Qty	Uom	NOTES
19	005455-000	GASKET,ASM,48,SXS,FZ VID# 602711917-17	1	EA	
20	052763-000	DOOR ASM 48 FZ	1	EA	

FRESH FOOD DOOR





Item	Part No.	Name	Qty	Uom	NOTES
1	042374-000	BRACKET, HANDLE SUPPORT	1	EA	
2	044037-000	SKIN, DOOR, SXS 48 PRO FF SS	1	EA	
2	054695-002	SKIN, DOOR, SXS 48 PRO FF BK	1	EA	
2	054695-005	SKIN, DOOR, SXS 48 PRO FF GG	1	EA	Not available online / Call for pricing and availability
2	054695-008	SKIN, DOOR, SXS 48 PRO FF BU	1	EA	Not available online / Call for pricing and availability
2	054695-013	SKIN, DOOR, SXS 48 PRO FF CB	1	EA	Not available online / Call for pricing and availability
2	054695-024	SKIN, DOOR, SXS 48 PRO FF AR	1	EA	Not available online / Call for pricing and availability
2	054695-006	SKIN, DOOR, SXS 48 PRO FF WH	1	EA	Not available online / Call for pricing and availability
3	030894-000	HANDLE, DOOR 36 BRIGADE	1	EA	
4	026965-000	ENDCAP, DOOR, HDL ASSY	2	EA	
5	035647-000	FASTENER, BOLT, HXH, SST	4	EA	
6	V12203602	DAIRY MODULE ASSY #	1	EA	
7	036886-000	DOORBIN ASM SXS 48 FF	4	EA	
8	014581-000	SPACER, TRIM, SXS, AF, AR	2	EA	
9	056841-000	TRIM, FF, TOP/BTM, 48	2	EA	
10	044314-000	STRIKER, DOOR SWITCH	1	EA	
11	044063-000	PIVOT PL ASM RH LW PRO/DES	1	EA	
12	044361-000	UPPER PIVOT PLATE ASM, RH, SXS, AF/AR	1	EA	
13	M0210458	SCR 8-18 X 5/8 WAFER PH SMS	14	EA	
14	044859-000	SPACER 4-HOLE, SILVER POWDER COATED	1	EA	
15	PD040162	SPACER-DOOR HINGE	1	EA	
16	005454-000	GASKET, ASM, 48, SXS, FF VID# 602711907-17	1	EA	





Item	Part No.	Name	Qty	Uom	NOTES
17	PD920174	10X7/8 PHILLIPS SMA TRI LOBE SA	8	EA	
18	PD020234	SCREW THP 10-32 X .500 SS BO	1	EA	
19	052761-000	DOOR ASM 48 FF	1	EA	
20	052655-000	DOOR FOAM ASM SXS 48 FF	1	EA	



Appendix A:Pages Index

CONTROL 1
DECOR 6
FREEZER DOOR 7
FREEZER INTERIOR 2
FRESH FOOD DOOR 8
FRESH FOOD INTERIOR 3
UNIT BOTTOM 5
UNIT TOP 4



Appendix B:Parts Index

000537-000	5	043261-000	5
000538-000	5	043371-000	4
000570-000	4, 5	044026-000	5
002329-000	2	044034-000	5
003004-000	6	044036-000	7
003867-000	5	044037-000	8
004551-000	5	044046-000	5
005319-000	1	044063-000	8
005396-000	1	044314-000	7, 8
005454-000	8	044344-000	7
005455-000	7	044358-000	4
007082-000	2	044359-000	4
007301-000	3	044361-000	8
011059-000	3	044370-000	5
011332-000	5	044372-000	5
012259-000	3	044373-000	5
013397-000	3	044374-000	5
014190-000	4	044377-000	5
014519-000	4	044479-000	1
014581-000	7, 8	044511-000	5
016194-000	6	044694-000	2, 3
016197-000	6	044859-000	7, 8
016593-000	1	044939-000	5
016930-000	1	045011-000	6
020467-000	3	045012-000	6
023112-000	2	045013-000	6
025433-000	1	045819-000	3
026965-000	7, 8	046062-000	5
030894-000	7, 8	046063-000	5
033709-000	6	046358-000	2, 3
033729-000	6	046385-000	1
035647-000	7, 8	046386-000	1
036886-000	8	047016-000	1
036888-000	7	048643-000	1
042374-000	7, 8	048680-000	1
042675-000	3	050903-000	4
042764-000	2	050926-000	4
042766-000	2	051587-000	4
043156-000	2	052655-000	8
043258-000	5	052700-000	4
		052761-000	8



052763-000	7	10916507	4
052891-000	6	12064001	1
053004-000	3	12102501	2
053183-000	3	12231701	2
053191-000	2	12258501	2
053200-000	2	12304301	2
053248-000	3	40370P01	6
053258-000	2, 3	A3030303	2
053261-000	5	A3030361	1, 2
053283-000	2	A3189348	2
053302-000	3	A3189370	1, 2, 4
053308-000	2	A4554817	1, 5
053428-000	6	B20915627	5
053836-000	6	C2097183	2
054407-000	4	C8983701	2, 3
054453-000	2	F20915693	5
054569-000	1	F2096504	4
054695-002	8	F2096507	4
054695-005	8	F2097740	4
054695-006	8	G32911938	3
054695-008	8	G32913789	5
054695-013	8	G50910020	2
054695-024	8	G50911853	5, 5
054698-002	7	G5098660	2
054698-005	7	K20911831	5
054698-006	7	K20913788	5
054698-008	7	K20915000	1
054698-013	7	K20915952	5
054698-024	7	K2096456	2
056841-000	8	K2096457	2
056842-000	7	K2096458	2
057309-000	1	K2096943	4
057350-000	2	K2098044	5
057731-000	2	K2098096	5
058966-000	2	K2099454	4
060890-000	5	L20914124	5
060891-000	5	L2097181	2
10526701	2	M0104102	5
10547001	4	M0104106	4, 5
10629001	2	M0210458	7, 8
10699601	4	M0211021	2



M0215318	2, 3, 7	PK930076	2
M0220417	5, 5	PK930079	2
M0221523	5	PK930150	2
M0230028	6	PK930348	5
M0238535	2	PM010555	5
M0238859	1, 2	PM010616	4
M0253916	2	PM910084	6
M0321209	2	PM910190	2
M0322202	4	PM910348	6
M0581001	2, 2	PM910349	6
M0585504	1	PM910411	2
PA970012	5	V12203602	8
PB920171	4		
PB970187	4		
PB970188	4		
PC910015	5		
PD020032	6		
PD020193	1		
PD020194	1, 2, 4, 5		
PD020195	2		
PD020233	4		
PD020234	7, 8		
PD020274	5		
PD030006	7		
PD030118	4		
PD030146	5		
PD030155	2		
PD040162	7, 8		
PD920174	7, 8		
PD940094	5		
PD940107	5		
PE010030	7		
PE050248	5		
PE950149	4		
PE970464	1		
PE970609	1		
PJ910031	2		
PK050004	6		
PK930073	2		
PK930074	2		
PK930075	2		