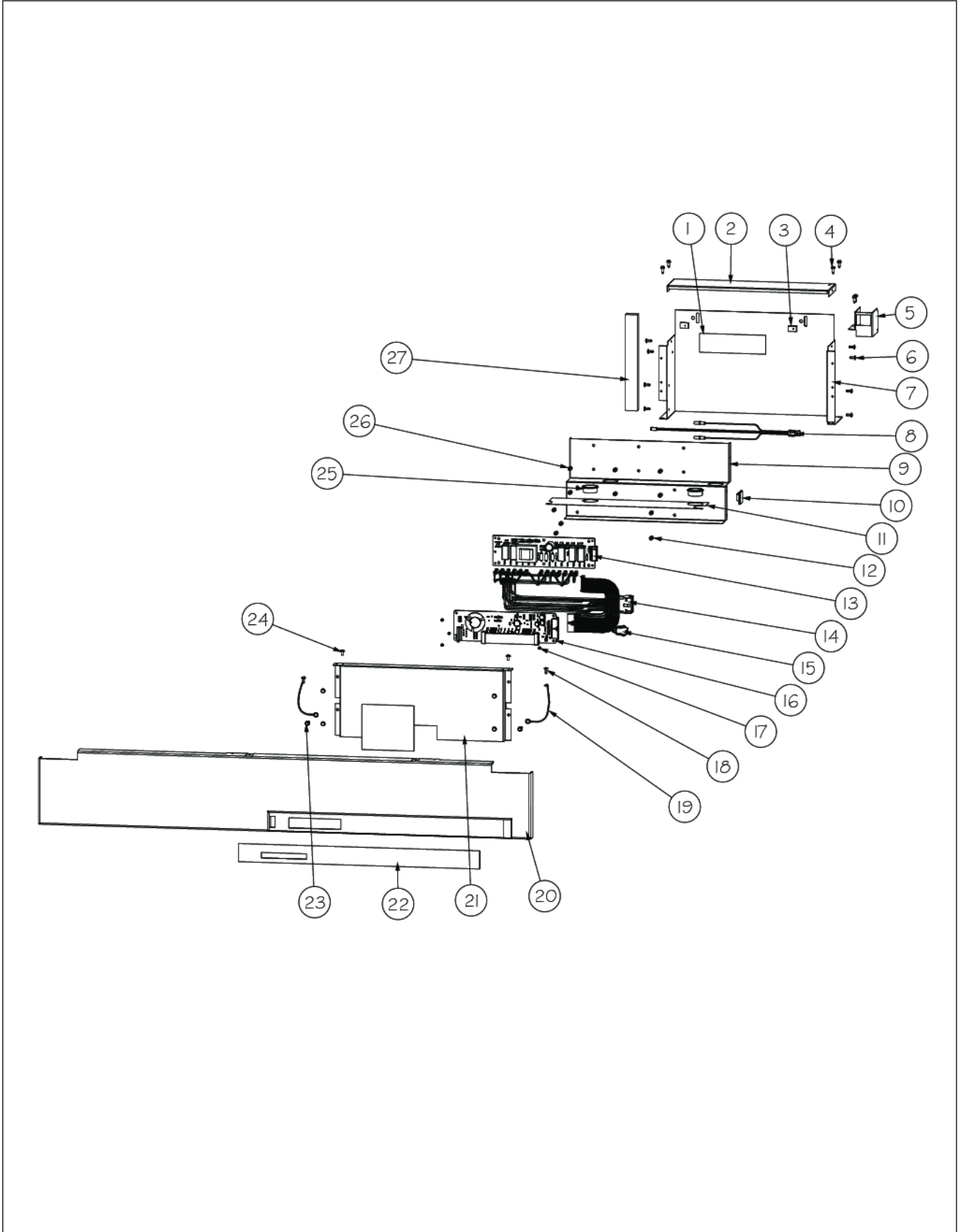


**VCSB548**

CONTROL ASSEMBLY .....	1
EXTERIOR ASSEMBLY .....	2
FREEZER DOOR ASSEMBLY .....	3
FREEZER INTERIOR ASSEMBLY .....	4
LOW SIDE ASSEMBLY .....	5
LOWER UNIT ASSEMBLY .....	6
MC COVER AND GRILLE ASSEMBLY .....	7
REFRIG DOOR ASSEMBLY .....	8
REFRIG INTERIOR ASSEMBLY .....	9
SEALED SYSTEM ASSEMBLY .....	10
Appendix A:Pages Index .....	A
Appendix B:Parts Index .....	B

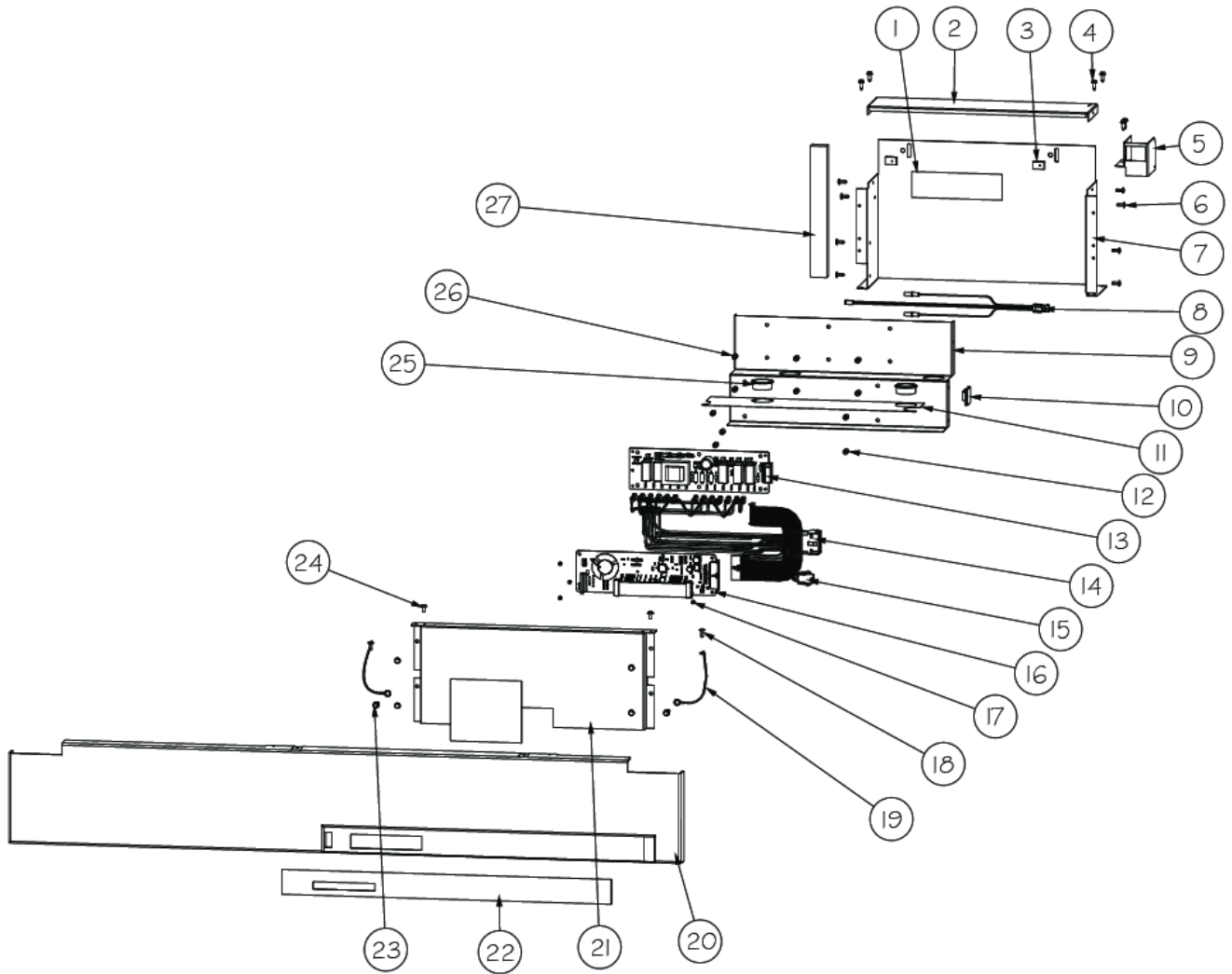


CONTROL ASSEMBLY





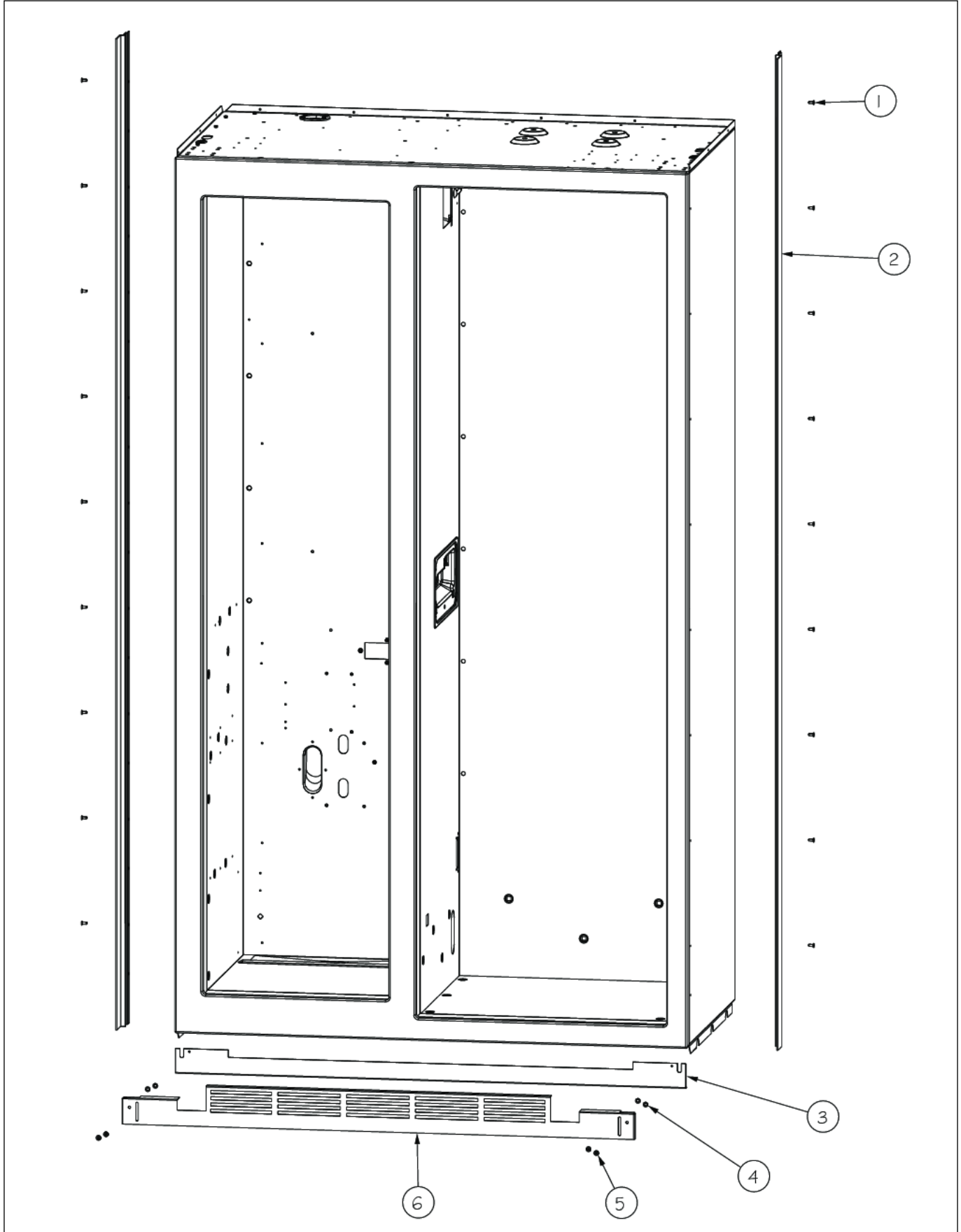
Item	Part No.	Name	Qty	Uom	NOTES
1	PF930672	LABEL DC COMPRESSOR	2	EA	
2	K20915000	CONTROL BOX TOP	1	EA	
3	M0288120	NUT-SPEED VM0288120	2	EA	
4	PD020194	SCR, HEX SRTD WSHR HD, #8-18 X 1/2	10	EA	
5	K2098654	Bracket, Power Switch	1	EA	
6	PC040010	POP RIVET (.063/GR -.125) GAMD42-A	8	EA	
7	K2099402	CONTROL BOX	1	EA	
8	PE970609	HARNESS CONTROL BOARD 5 SERIES	1	EA	
9	K20910060	BRACKET - PC	1	EA	
10	M0104106	CLIP-CORD VM0104106	1	EA	
11	005396-000	FILM,PROTECTIVE	1	EA	
12	M0585506	SUPPORT	5	EA	
13	005319-000	POWER CONTROL BOARD ASM 5 SERIES	1	EA	
<p>Comments for Part Num. 005319-000</p> <p>boltz on Apr 12, 2018 See TR-0056-SP Bulletin</p>					
14	015365-000	HARNESS HIGH VOLT	1	EA	
15	PE970464	HARNESS LOW VOLT 5 SERIES	1	EA	
16	PE070728	BOARD LOW VOLTAGE	1	EA	
<p>Comments for Part Num. PE070728</p> <p>bradleysapplianceservice@shaw.ca on Apr 27, 2016 COULD ALSO USE: 002670-000 LOW VOLTAGE BOARD KIT ANALOG - INCLUDES WIRE HARNESS</p>					
17	PD020013	TYPE "AB" #6 X 3/8 PH PAN HD. SMS	5	EA	
18	PC040010	POP RIVET (.063/GR -.125) GAMD42-A	1	EA	
19	12064001	SUPP-CONT PANEL	2	EA	
20	016593-000	PANEL CONTROL SXS 48	1	EA	
21	K20910061	CONTROL BOX FRONT	1	EA	
22	010489-000	OVERLAY SWITCH SXS 48	1	EA	





Item	Part No.	Name	Qty	Uom	NOTES
23	M0238846	SCREW-SHLDR	2	EA	
24	M0224128	SCREW-SM	2	EA	
25	A4554817	BUSHING-SNAP VA4554817	2	EA	
26	M0585504	SUPPORT	6	EA	
27	A3030361	GASKET RED	1	EA	

EXTERIOR ASSEMBLY

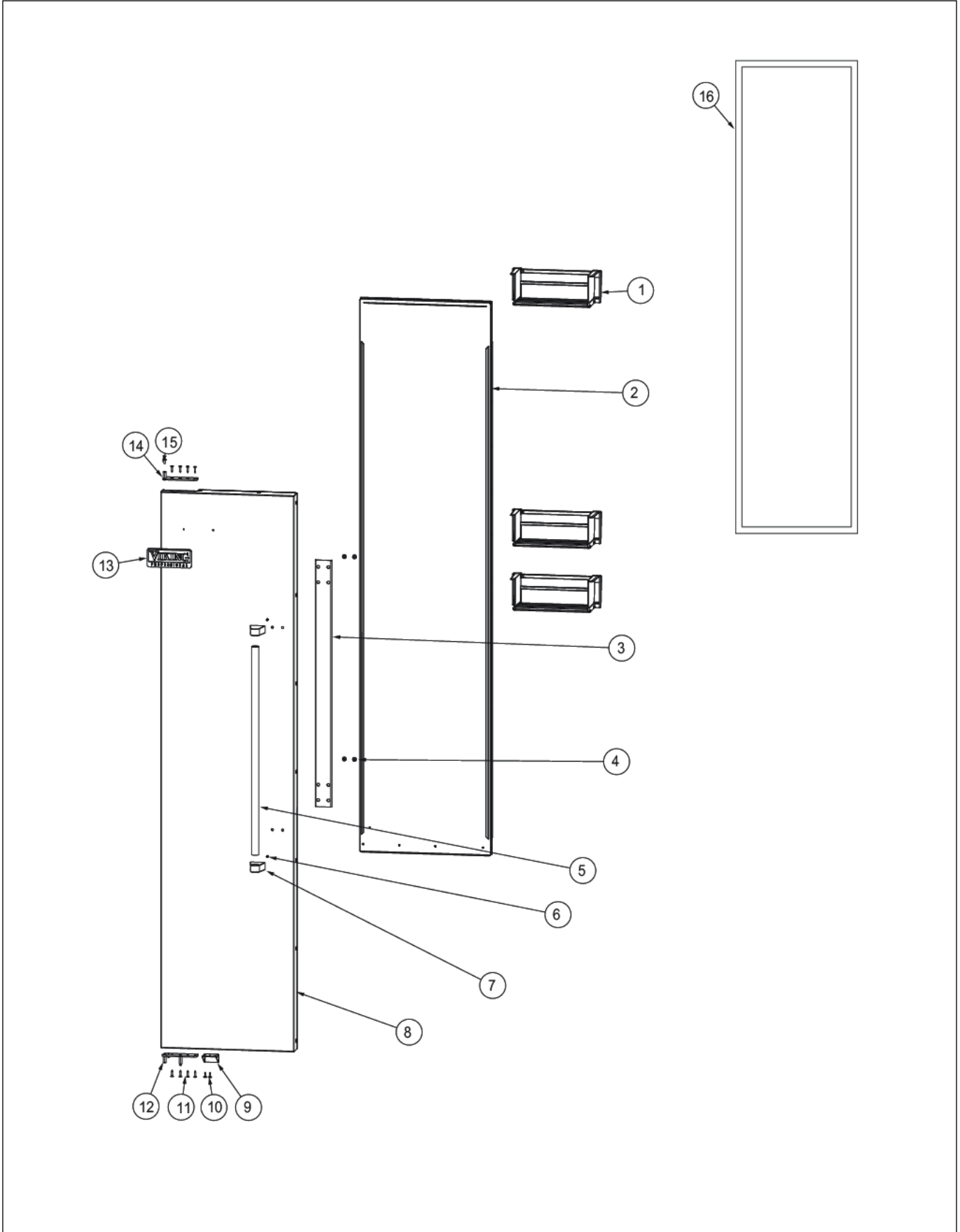




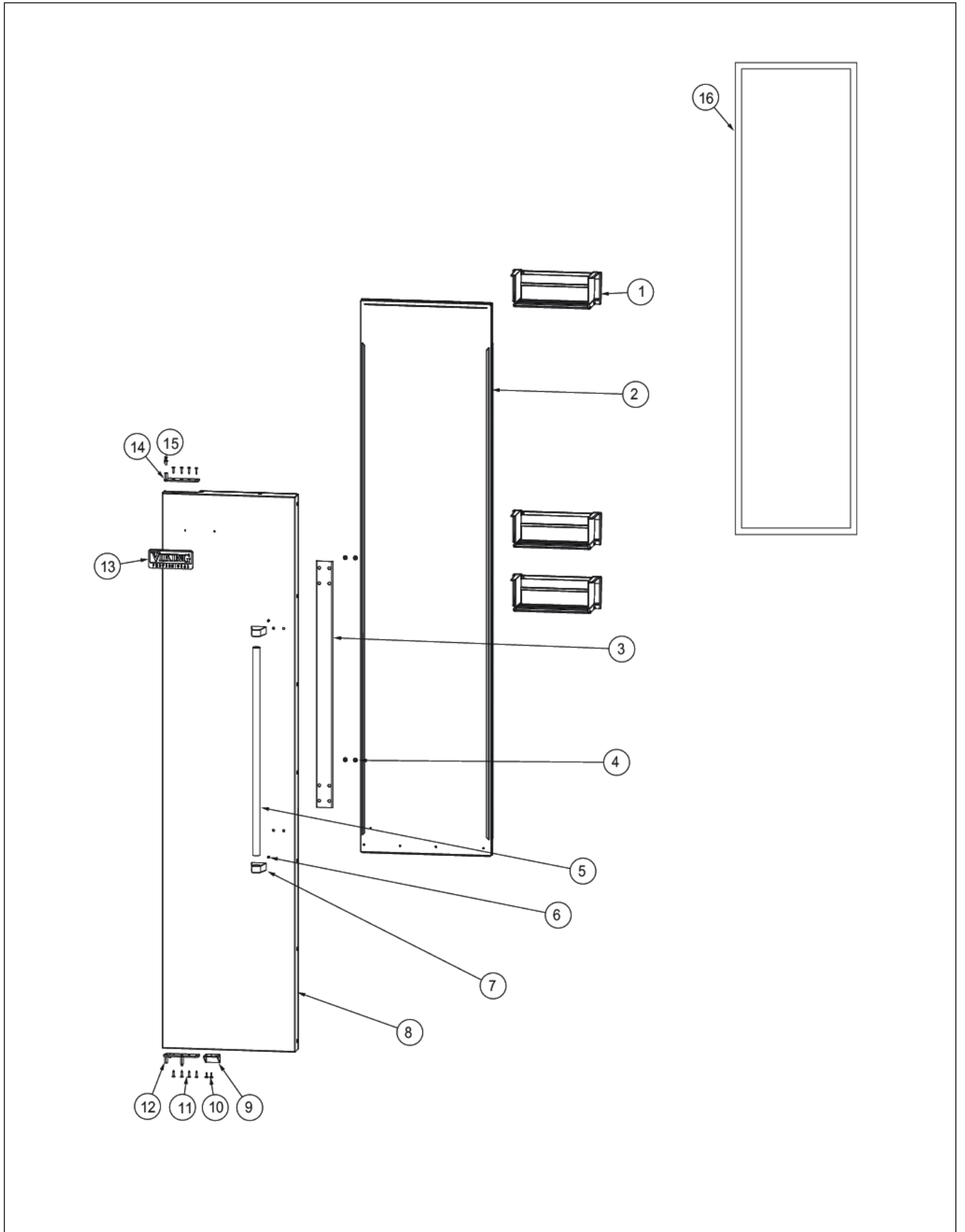


Item	Part No.	Name	Qty	Uom	NOTES
1	M0215318	SCREW-SM	18	EA	
2	PK910123	SIDE TRIM - PRO	2	EA	
3	000152-002	KICKPLATE, LWR	1	EA	
4	40370P01	NYLON FLAT WASHER V40370P01	4	EA	
5	M0210443	SCREW-E SM VM0210443	4	EA	
6	045013-000	GRILLE, TOE, ASM, 48 SXS	1	EA	

FREEZER DOOR ASSEMBLY

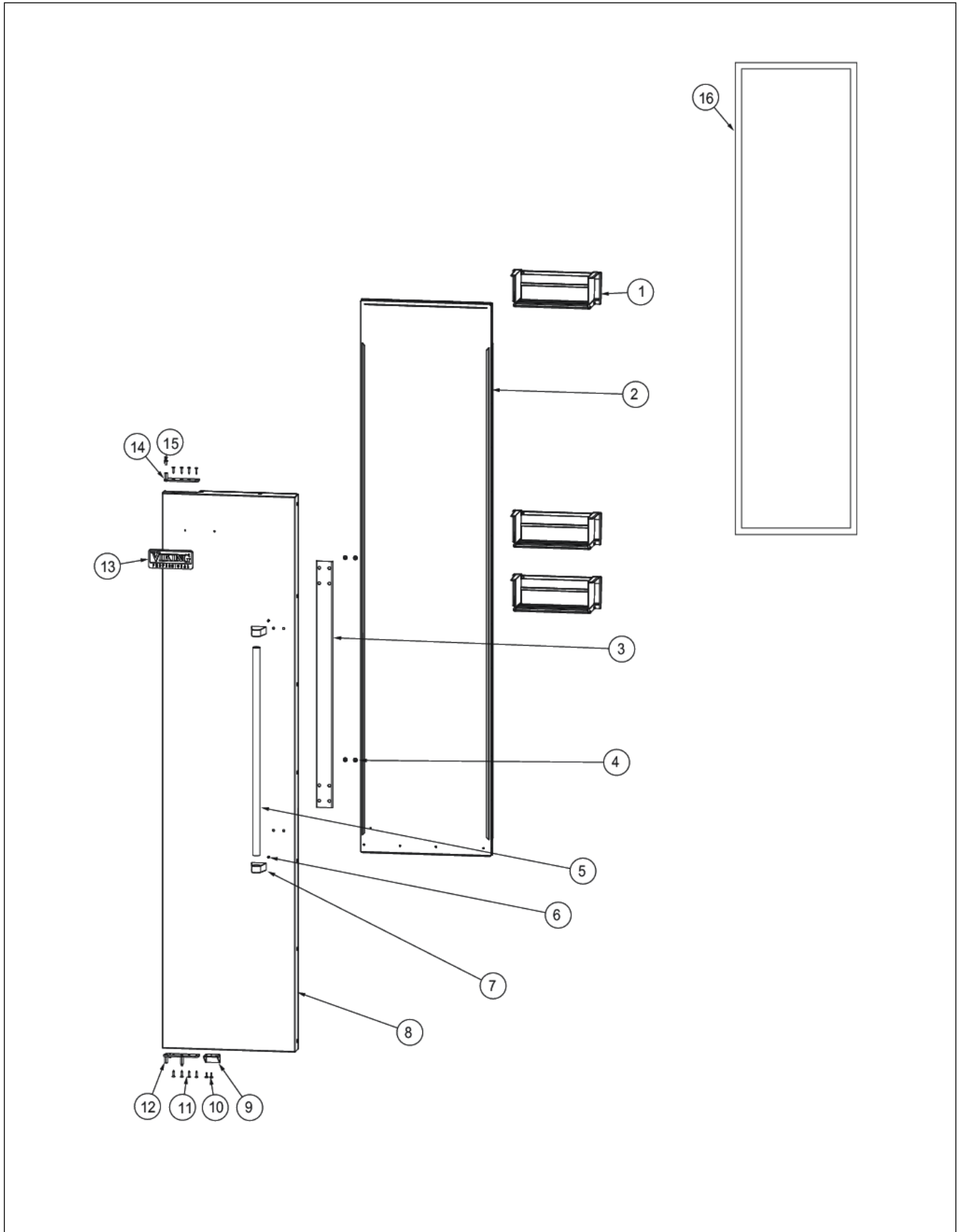


Item	Part No.	Name	Qty	Uom	NOTES
1	036888-000	DOORBIN ASM SXS FZ	3	EA	
2	007050-000	DOOR FOAM ASM SXS 48 FZ	1	EA	
3	013328-000	BRKT,HANDLE,SUPPORT,PRO	1	EA	
4	M0204303	SCREW-MACH	4	EA	
5	012891-000	HANDLE,PRO	1	EA	
6	PD020043	#6-32 X .750 PH. CTRSK T(F)-VGSO166	1	EA	
7	000268-000	HANDLE ENDCAP	2	EA	
NI	000268-100	HANDLE END CAP ASSY - BR	2	EA	
8	013314-000	SKIN, DOOR, 48 SXS, PRO, FZ, SS	1	EA	
Not Shown	NOTE	(MUST ORDER 2X 000657-000)		EA	
NI	009221-002	SKIN, DOOR, SXS 48 PRO FZ BK	1	EA	
Not Shown	NOTE	(MUST ORDER 2X 000657-000)		EA	
NI	009221-003	SKIN, DOOR, SXS 48 PRO FZ BT	1	EA	
Not Shown	NOTE	(MUST ORDER 2X 000657-000)		EA	
NI	009221-004	SKIN, DOOR, SXS 48 PRO FZ SG	1	EA	
Not Shown	NOTE	(MUST ORDER 2X 000657-000)		EA	
NI	009221-005	SKIN, DOOR, SXS 48 PRO FZ GG	1	EA	
Not Shown	NOTE	(MUST ORDER 2X 000657-000)		EA	
NI	009221-006	SKIN,DOOR,SXS 48 PRO FZ WH	1	EA	
Not Shown	NOTE	(MUST ORDER 2X 000657-000)		EA	
NI	009221-007	SKIN, DOOR, SXS 48 PRO FZ AL	1	EA	Not available online / Call for pricing and availability
Not Shown	NOTE	(MUST ORDER 2X 000657-000)		EA	
NI	009221-008	SKIN, DOOR, SXS 48 PRO FZ BU	1	EA	

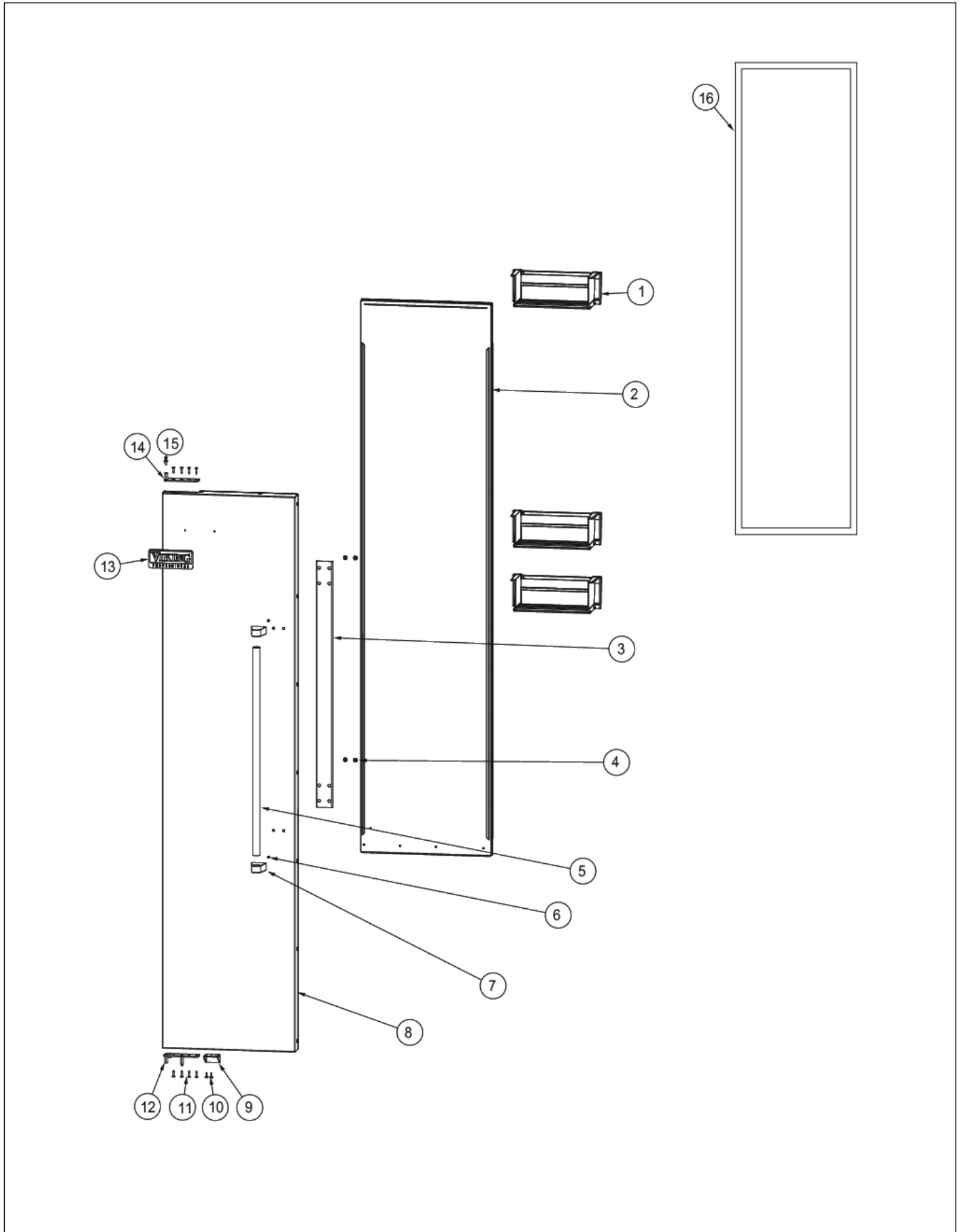




Item	Part No.	Name	Qty	Uom	NOTES
Not Shown	NOTE	(MUST ORDER 2X 000657-000)		EA	
NI	009221-009	SKIN, DOOR, SXS 48 PRO FZ LE	1	EA	
Not Shown	NOTE	(MUST ORDER 2X 000657-000)		EA	
NI	009221-010	SKIN, DOOR, SXS 48 PRO FZ MJ	1	EA	
Not Shown	NOTE	(MUST ORDER 2X 000657-000)		EA	
NI	009221-011	SKIN, DOOR, SXS 48 PRO FZ FG	1	EA	Not available online / Call for pricing and availability
Not Shown	NOTE	(MUST ORDER 2X 000657-000)		EA	
NI	009221-012	SKIN, DOOR, SXS 48 PRO FZ VB	1	EA	
Not Shown	NOTE	(MUST ORDER 2X 000657-000)		EA	
NI	009221-013	SKIN, DOOR, SXS 48 PRO FZ CB	1	EA	
Not Shown	NOTE	(MUST ORDER 2X 000657-000)		EA	
NI	009221-014	SKIN, DOOR, SXS 48 PRO FZ EP	1	EA	Not available online / Call for pricing and availability
Not Shown	NOTE	(MUST ORDER 2X 000657-000)		EA	
NI	009221-015	SKIN, DOOR, SXS 48 PRO FZ PL	1	EA	
Not Shown	NOTE	(MUST ORDER 2X 000657-000)		EA	
NI	009221-016	SKIN, DOOR, SXS 48 PRO FZ CH	1	EA	
Not Shown	NOTE	(MUST ORDER 2X 000657-000)		EA	
NI	009221-017	SKIN, DOOR, SXS 48 PRO FZ TP	1	EA	
Not Shown	NOTE	(MUST ORDER 2X 000657-000)		EA	
NI	009221-018	SKIN, DOOR, SXS 48 PRO FZ CW NLA	1	EA	



Item	Part No.	Name	Qty	Uom	NOTES
Not Shown	NOTE	(MUST ORDER 2X 000657-000)		EA	
NI	009221-019	SKIN, DOOR, SXS 48 PRO FZ OG	1	EA	
Not Shown	NOTE	(MUST ORDER 2X 000657-000)		EA	
NI	009221-020	SKIN, DOOR, SXS 48 PRO FZ GM	1	EA	
Not Shown	NOTE	(MUST ORDER 2X 000657-000)		EA	
NI	009221-021	SKIN, DOOR, SXS 48 PRO FZ SA	1	EA	
Not Shown	NOTE	(MUST ORDER 2X 000657-000)		EA	
NI	009221-022	SKIN, DOOR, SXS 48 PRO FZ SE	1	EA	
Not Shown	NOTE	(MUST ORDER 2X 000657-000)		EA	
NI	009221-023	SKIN, DOOR, SXS 48 PRO FZ IB	1	EA	
Not Shown	NOTE	(MUST ORDER 2X 000657-000)		EA	
NI	009221-024	SKIN, DOOR ,SXS 48 PRO FZ-AR	1	EA	Not available online / Call for pricing and availability
Not Shown	NOTE	(MUST ORDER 2X 000657-000)		EA	
NI	009221-025	SKIN, DOOR, SXS 48 PRO FZ RR	1	EA	
Not Shown	NOTE	(MUST ORDER 2X 000657-000)		EA	
NI	009221-026	SKIN, DOOR, SXS 48 PRO FZ PM	1	EA	
Not Shown	NOTE	(MUST ORDER 2X 000657-000)		EA	
NI	009221-027	SKIN, DOOR, SXS 48 PRO FZ MS	1	EA	
Not Shown	NOTE	(MUST ORDER 2X 000657-000)		EA	
9	PD050019	STRIKER DOOR SWITCH	1	EA	
10	M0210458	SCREW-SM	2	EA	
11	PD920174	10-32 TORX HEAD SCREW	8	EA	
12	016182-000	PIVOT PL ASM LH LW PRO/DES	1	EA	

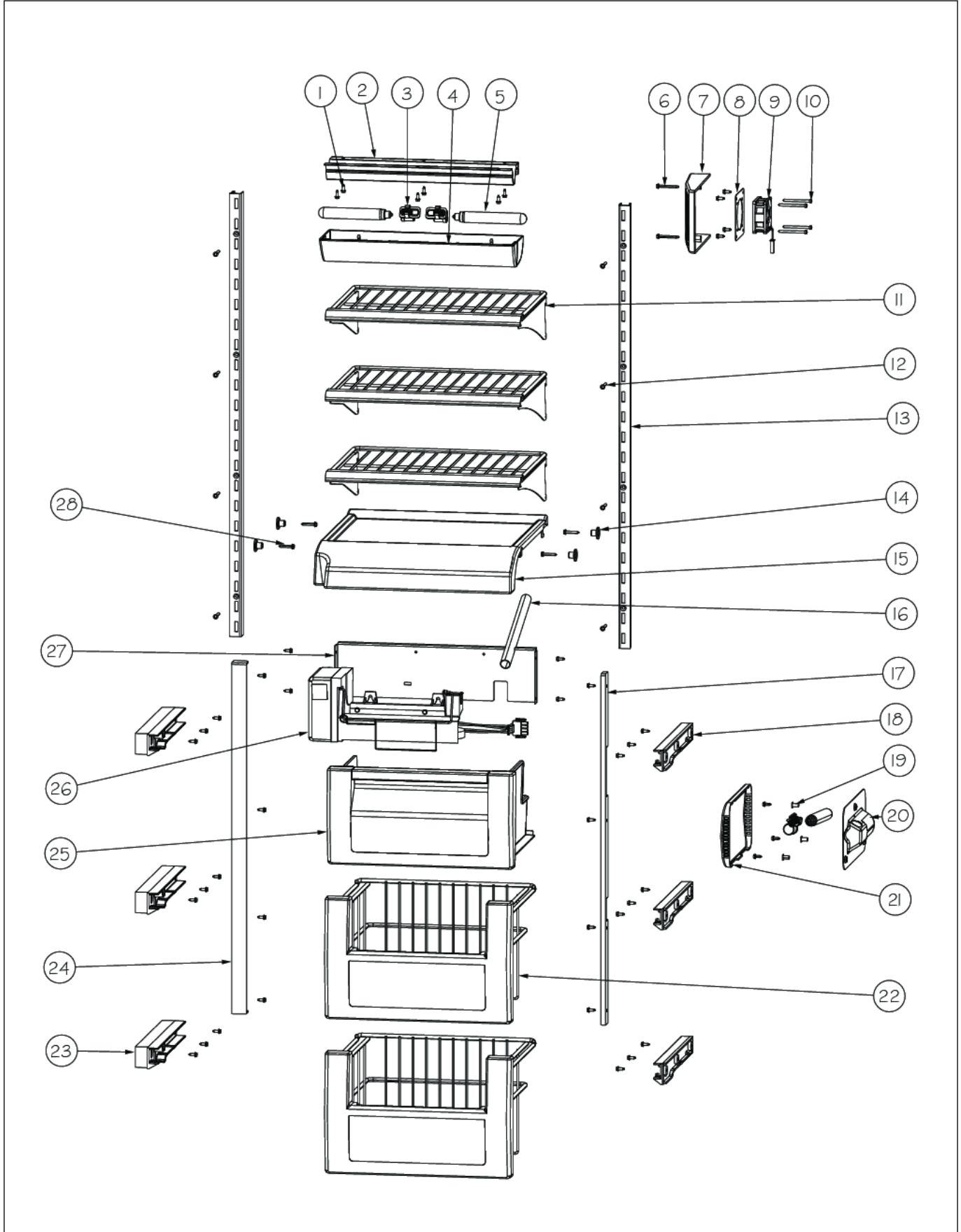






Item	Part No.	Name	Qty	Uom	NOTES
13	PE010030	LOGO	1	EA	
NI	PE010068	LOGO 6" (VGRC) BK/BR	1	EA	
14	PC020279	PIVOT PL ASM LH UP PRO/DES	1	EA	
15	PD020234	SCREW THP 10-32 X .500 SS BO	1	EA	
16	005455-000	GASKET,ASM,48,SXS,FZ VID# 602711917-17	1	EA	

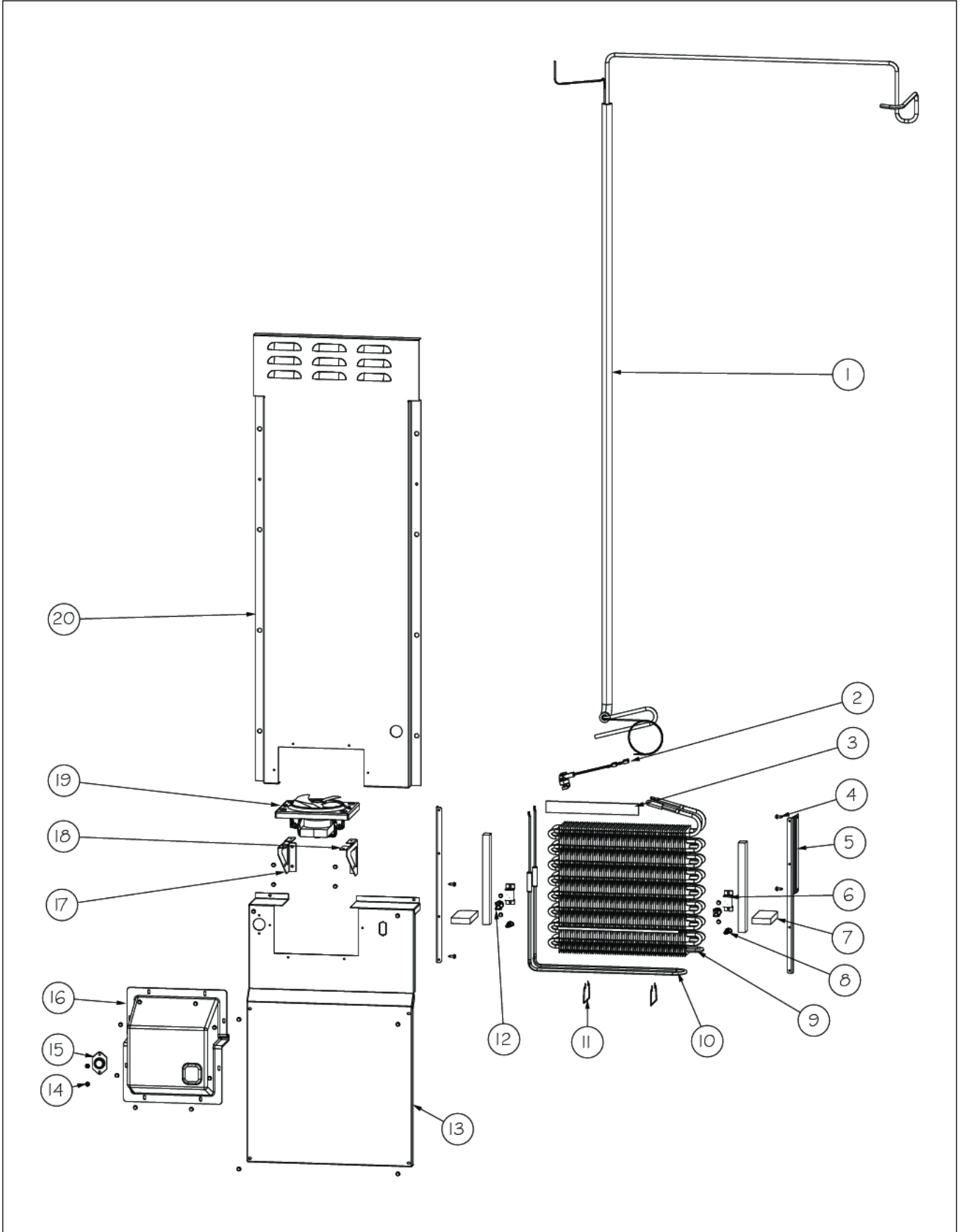
FREEZER INTERIOR ASSEMBLY





Item	Part No.	Name	Qty	Uom	NOTES
1	PD020194	SCR, HEX SRTD WSHR HD, #8-18 X 1/2	43	EA	
2	L2099475	BRACKET LIGHT SXS FZ	1	EA	
3	PE950125	LIGHT SOCKET	3	EA	
4	020117-000	COVER LIGHT ASM SXS 42 FZ	1	EA	
5	004528-000	LAMP, 40 WATT CLEAR LIGHT	3	EA	
6	PD020188	SCR 8-18 BT HXWS 1 1/2	2	EA	
7	PK930086	COVER FAN SXS 48 FZ	1	EA	
8	007302-000	BRACKET,FAN	1	EA	
9	004551-000	AXIAL FAN	1	EA	
<p>Comments for Part Num. 004551-000</p> <p>gboltz@VikingRange.com on Jul 21, 2016</p> <p>View service bulletin TR-0052-SP before ordering fan, if applicable order kit instead of fan</p>					
10	M0221913	SCREW-SM	4	EA	
11	PM910411	SHELF WIRE AF 36	3	EA	
12	M0238535	SCREW-SM	8	EA	
13	12231701	LADDER-FZ L/R SIDE 42/48	2	EA	
14	12258501	SUPPORT-SHELF	4	EA	
15	PK930079	SHELF COVER SXS 48 FZ	1	EA	
16	A3127415	EXT-FILL TUBE	1	EA	
17	12304301	CLOSEOUT-FZ SIDE #	1	EA	
18	PK930074	GLIDE SXS 48 FZ R	3	EA	
19	M0580007	GROMMET-SCREW	3	EA	
20	10270203	HOUSING-LIGHT V10270203	1	EA	
21	PK930346	COVER LIGHT	1	EA	
22	PM910190	BASKET ASM FZ	2	EA	
23	PK930075	GLIDE SXS 48 FZ L	3	EA	
24	PK930073	CLOSEOUT SIDE SXS 48 FZ L	1	EA	
25	PK930076	ICE PAN ASM SXS 48	1	EA	
26	043156-000	ICEMAKER ASSEMBLY	1	EA	
27	C2097183	SUPPORT IM ND SXS 48	1	EA	
28	M0211021	SCREW-SM	4	EA	

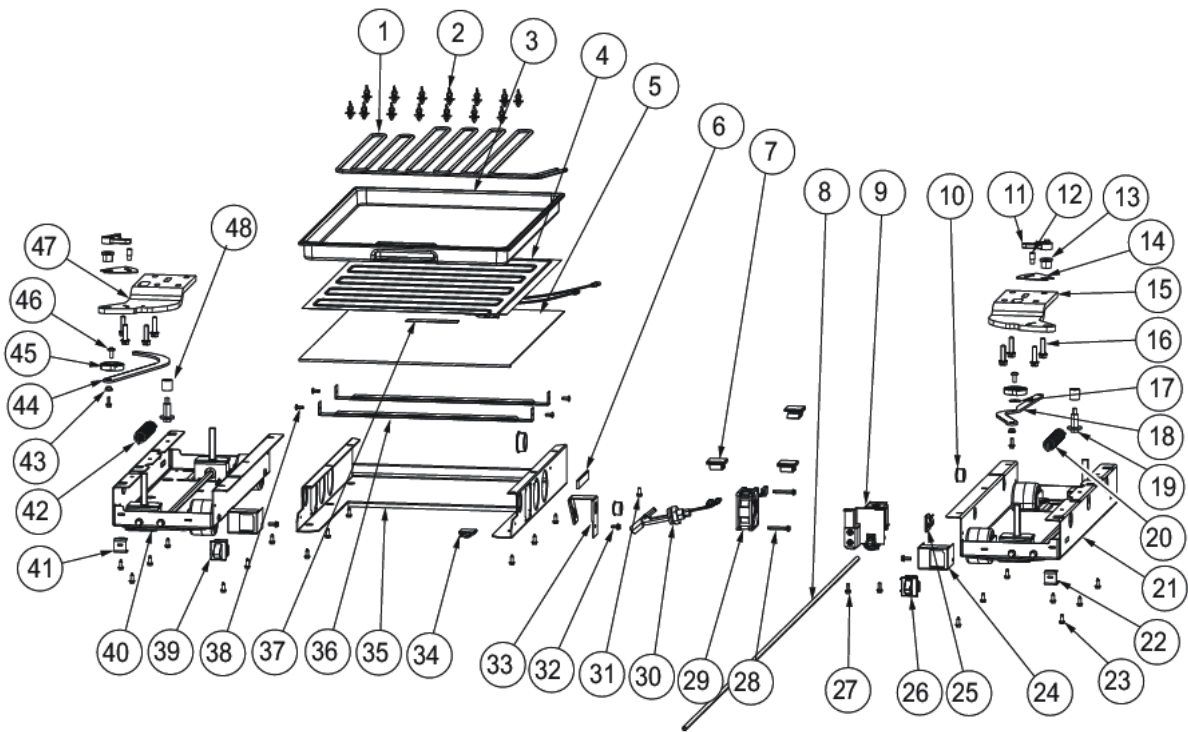
LOW SIDE ASSEMBLY



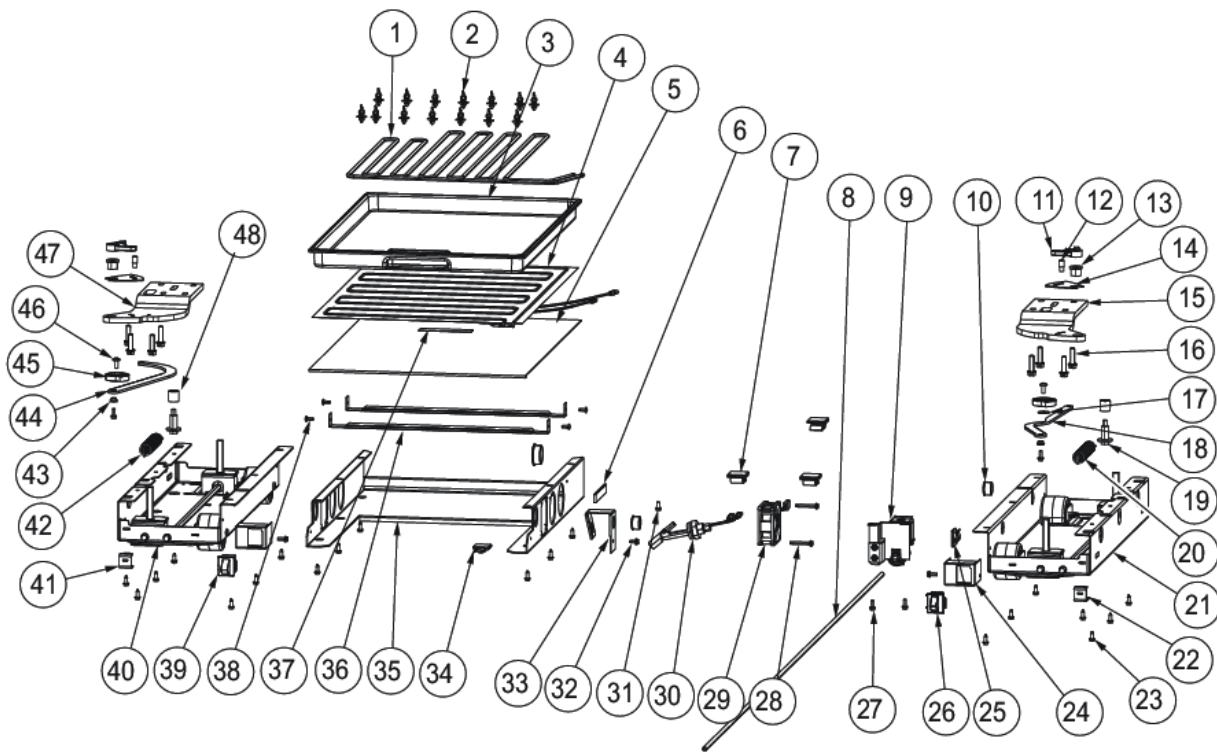


Item	Part No.	Name	Qty	Uom	NOTES
1	053308-000	HEAT EXCHANGER ASM SXS 42	1	EA	
2	058966-000	THERMOSTAT, SNAP ACTION, 55 OPEN 20 CLOSE	1	EA	
3	A3189370	GASKET-FOAM VA3189370	3	EA	
4	PD020194	SCR, HEX SRTD WSHR HD, #8-18 X 1/2	23	EA	
5	K2096461	BRKT-EVAP COVER 12234801	2	EA	
6	K2096456	BRKT-EVAP CLIP 12215101	2	EA	
7	10629001	BLOCK-R AIR COIL RED	2	EA	
8	10527401	CLIP-EVAP	2	EA	
9	PM910206	EVAPORATOR SXS 48	1	EA	
10	PJ910031	HEATER EVAP SXS	1	EA	
11	10428101	CLIP-EVAP HTR V10428101	2	EA	
12	10623003	CLIP-EVAP	1	EA	
13	L2097182	COVER EVAP LOWER SXS 48	1	EA	
14	M0211014	SCREW-SM	2	EA	Not available online / Call for pricing and availability
15	C8983701	THERMISTOR	1	EA	
16	PK930150	COVER CTR EVAP SXS	1	EA	
17	K2096458	BRKT-L-EVAP-FAN 12223102	1	EA	
18	K2096457	BRKT-R-EVAP FAN 12223101	1	EA	
19	G5098660	FAN EVAP ASM PANASONIC	1	EA	
20	L2097181	COVER EVAP UPPER SXS 48	1	EA	

LOWER UNIT ASSEMBLY

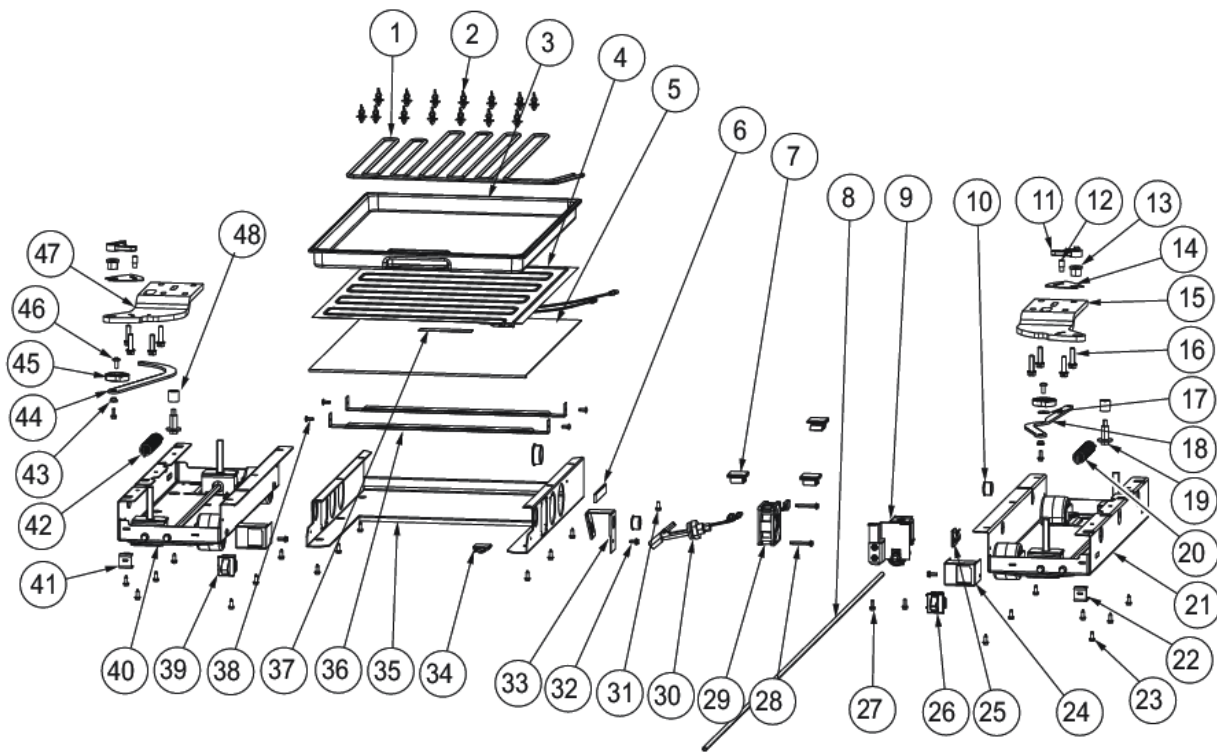


Item	Part No.	Name	Qty	Uom	NOTES
1	F20915693	SERPENTINE CONDENSER DRAIN ALL SXS'S	1	EA	
2	PD030146	STAND OFF LOCK CLIP	14	EA	
3	PK930348	PAN DRAIN	1	EA	
4	G50911853	TRAY PAN HEATER	1	EA	
5	L20914124	TRAY PAN HEATER	1	EA	Not available online / Call for pricing and availability
6	PF930654	LABEL CONDENSATE FAN SERVICE	1	EA	
7	M0104102	CLIP-CORD RED	3	EA	
8	PB020304	PLASTIC TUBING-IM WATERLINE	1	EA	
9	G32913789	BRKT & VALVE H2O SNGL ASM	1	EA	
10	A4554806	BUSHING-SNAP VA4554806	2	EA	
11	PD940091	BUSHING - DOOR STOP	2	EA	
12	PC920145	PIN - DOOR STOP	2	EA	
13	PD940090	BUSHING - WC DOOR LEVEL	2	EA	
14	PC920144	PLATE - WC DOOR SHIM	2	EA	
15	PC020288	HINGE PLATE LR	1	EA	
16	000570-000	FASTENER, BOLT, 1/4-20 IHXWS 1" S ZN SER	8	EA	
17	003867-000	SPRING EXTENSION	1	EA	
18	PC920166	HINGE ASM COMPLETE RR	1	EA	
19	M0221523	SCREW - SHLDR	2	EA	
20	003867-000	SPRING EXTENSION	1	EA	
21	060890-000	LEVELER MODULE R	1	EA	
22	K2098044	BRKT GRILLE SUPPORT	1	EA	
23	PD020194	SCR, HEX SRTD WSHR HD, #8-18 X 1/2	20	EA	
24	014334-000	BRACKET,LT,SWITCH	2	EA	
25	M0104106	CLIP-CORD VM0104106	2	EA	
26	PE950147	SWITCH SPST NC BLACK	1	EA	





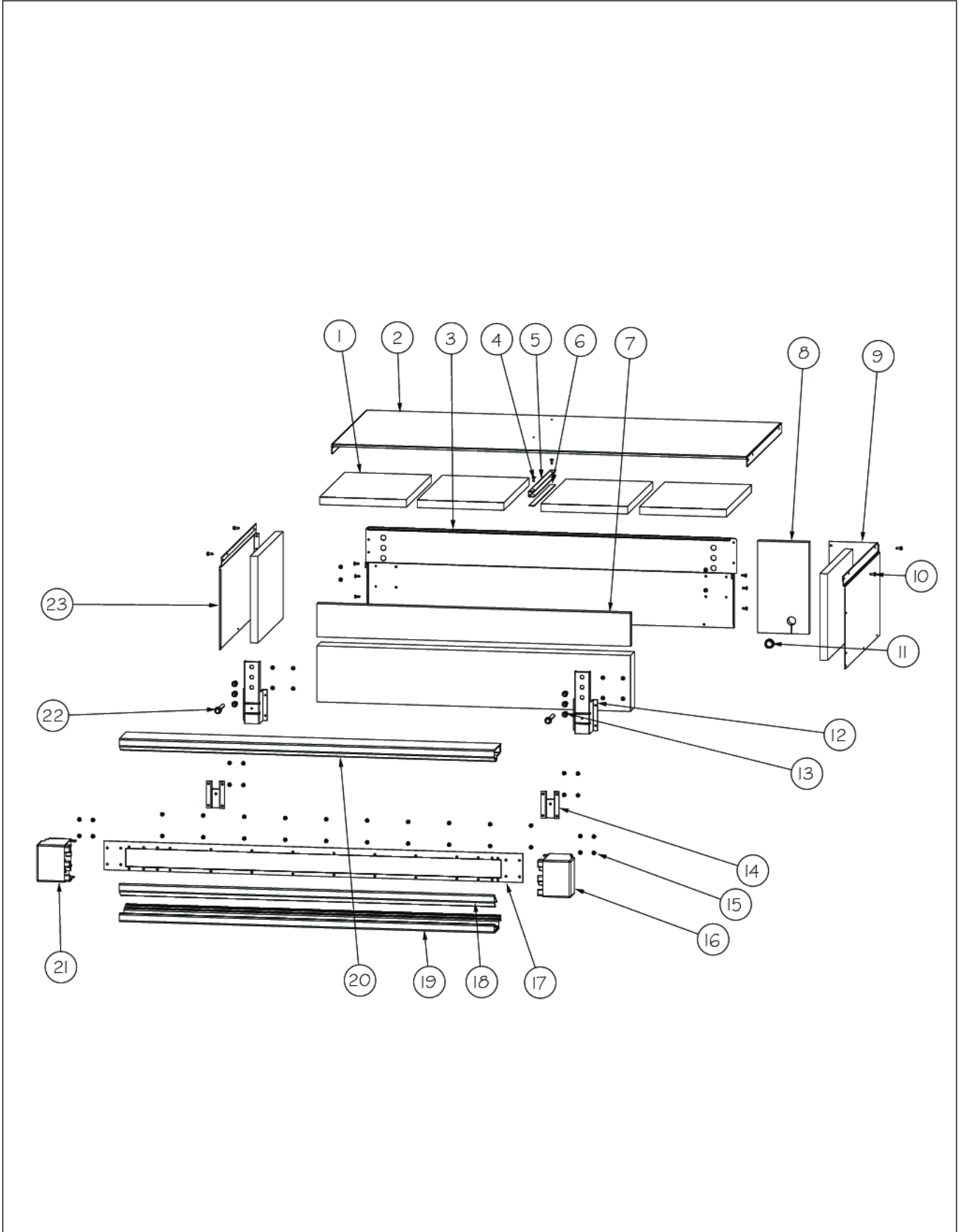
Item	Part No.	Name	Qty	Uom	NOTES
Comments for Part Num. PE950147  bradleysapplianceservice@shaw.ca on May 1, 2017 CAUTION WHEN ORDERING DOOR SWITCH. PARTS LISTINGS COULD BE INCORRECT. THERE IS TWO VERSIONS OF THIS DOOR SWITCH THAT NEEDS TO BE VISUALLY CHECKED ON UNIT TO DETERMINE CORRECT PART. PE950146 DOOR SWITCH 3 WIRE SPDT BLACK PE950147 DOOR SWITCH 2 WIRE SPST BLACK					
27	M0220417	SCREW-TC	8	EA	
28	PD020274	SCR SLTD HEX WSHR HD 8X1.250 BT	2	EA	
29	004551-000	AXIAL FAN	1	EA	
Comments for Part Num. 004551-000  gboltz@VikingRange.com on Jul 21, 2016 View service bulletin TR-0052-SP before ordering fan, if applicable order kit instead of fan					
30	PE050248	FLOAT SWITCH HORIZONTAL	1	EA	
31	PD020010	10 X 3/8 GREEN GROUNDING SCREW	1	EA	
32	M0253916	SCR 8-32 SHXW 3/8 TRI-LOBE	1	EA	
33	B20915627	BRACKET HORIZ FLOAT SWITCH	1	EA	
34	A4554817	BUSHING-SNAP VA4554817	1	EA	
35	K20915952	SHIELD BOTTOM DRAIN	1	EA	
36	K20911831	BRACKET CONDENSATE SUPPORT	2	EA	
37	PF031267	LABEL HEATER PAN	1	EA	
38	PC040010	POP RIVET (.063/GR -.125) GAMD42-A	4	EA	
39	PE950146	SPDT SWITCH	1	EA	
40	060891-000	LEVELER MODULE L	1	EA	
41	K2098096	BRKT GRILLE SUPPORT	1	EA	
42	PC910015	SPRING EXTENSION	1	EA	
43	PD940094	BUSHING	2	EA	
44	PC920149	BAR-WC BOT HINGE LH	1	EA	
45	044370-000	CAM DOOR ADJUSTMENT (SXS)	2	EA	





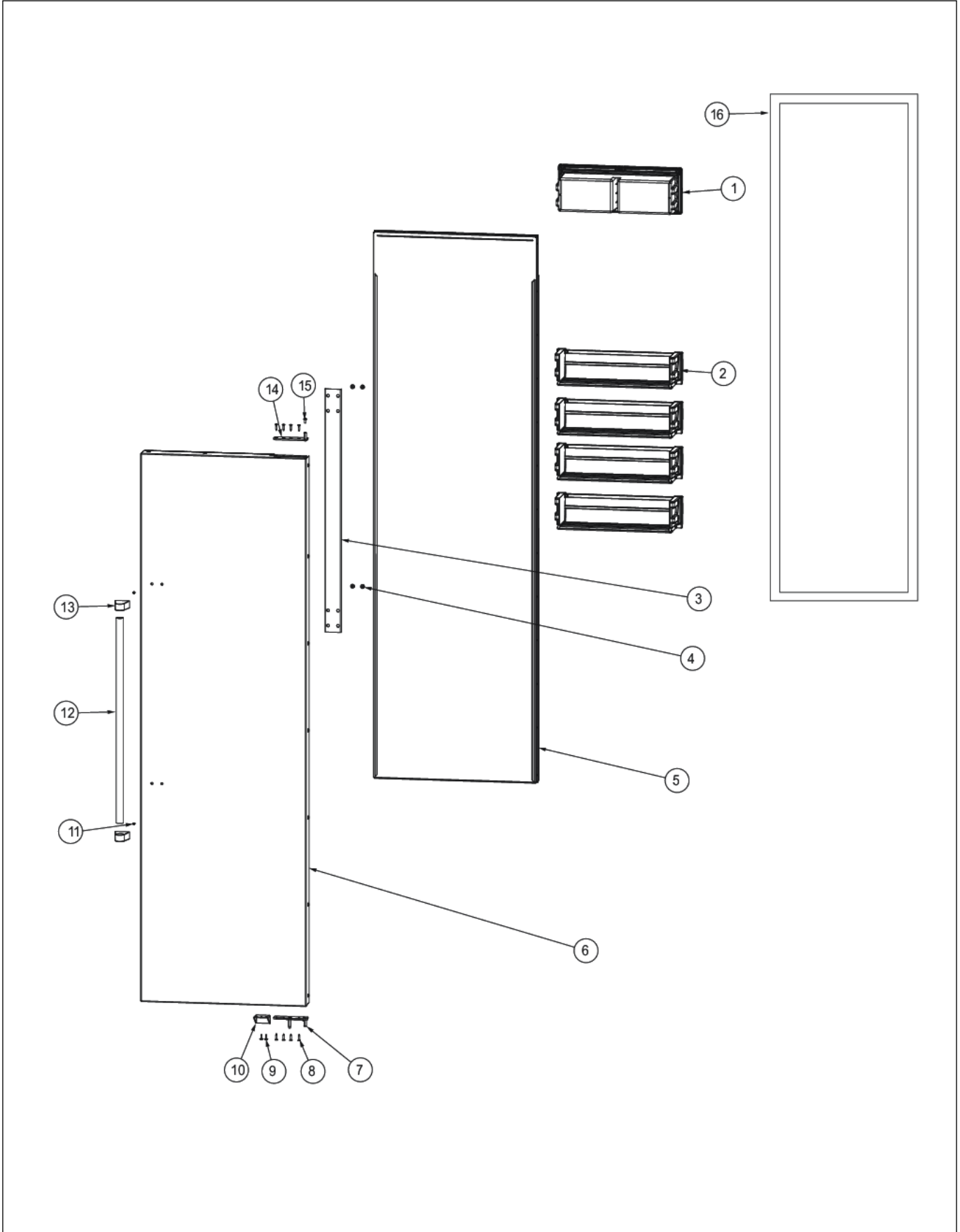
Item	Part No.	Name	Qty	Uom	NOTES
46	PD020234	SCREW THP 10-32 X .500 SS BO	2	EA	
47	PC020289	HINGE PLATE LL	1	EA	
48	PD940107	ROUND SPRING SPACER	2	EA	

MC COVER AND GRILLE ASSEMBLY



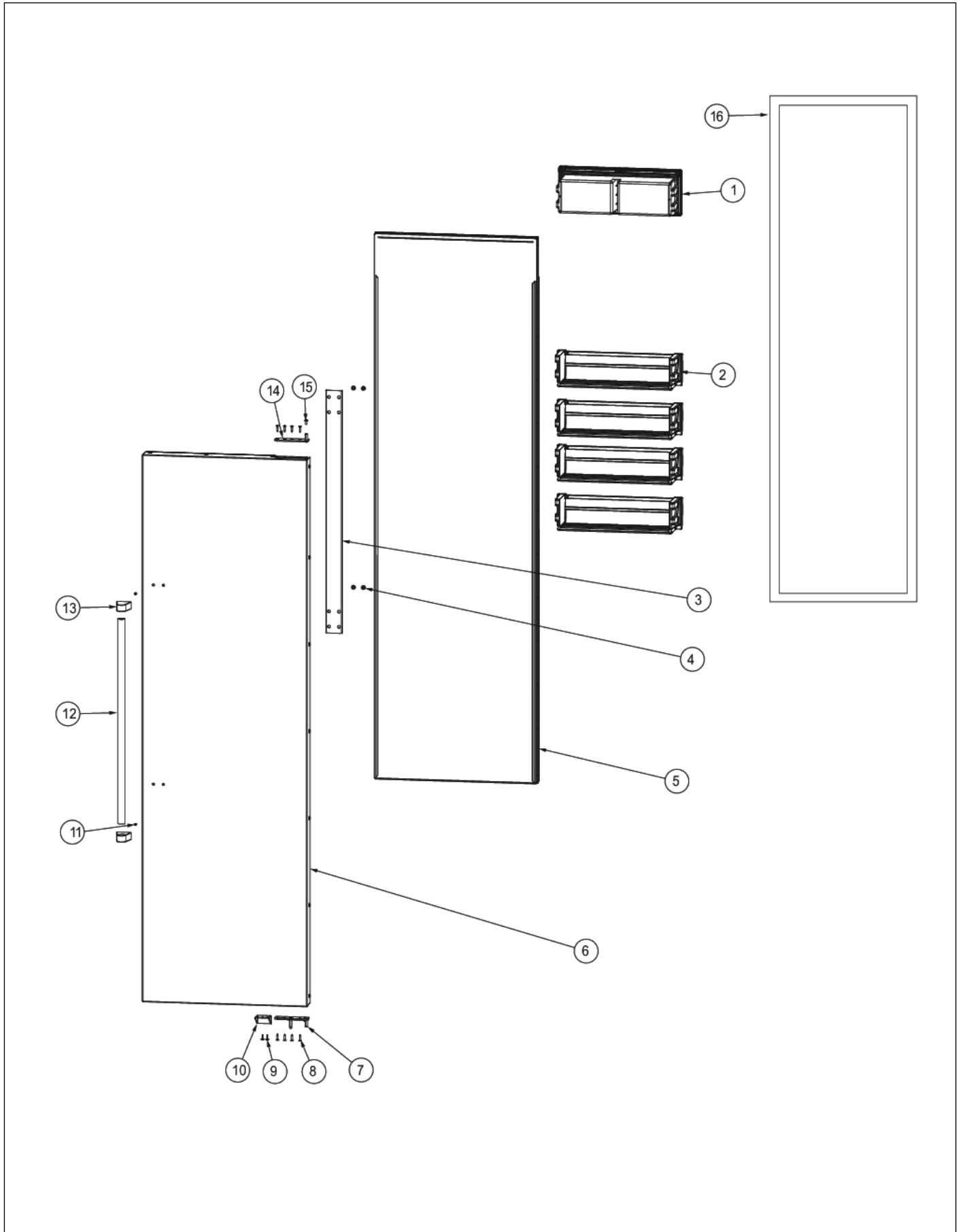
Item	Part No.	Name	Qty	Uom	NOTES
1	PB070355	INSULATION MC COVER	6	EA	
2	K20910007	MC TOP SXS 48	1	EA	
3	K20910008	MC BACK SXS 48	1	EA	
4	PC040010	POP RIVET (.063/GR -.125) GAMD42-A	19	EA	
5	K2099455	SUPPORT MC Z	1	EA	
6	007981-000	MC COVER ASM BI 48	1	EA	
7	PB070363	INSULATION MC COVER	2	EA	Not available online / Call for pricing and availability
8	PB970171	MC INSULATION - BACK SIDE	1	EA	Not available online / Call for pricing and availability
9	K2099459	MC SIDE (RIGHT)	1	EA	
10	PD020194	SCR, HEX SRTD WSHR HD, #8- 18 X 1/2	40	EA	
11	A4554806	BUSHING-SNAP VA4554806	1	EA	
12	K20915675	BRACKET PSM	2	EA	
13	PD040157	BEARING SLEEVE	4	EA	
14	PK050004	BRACKET GRILLE 5 SERIES	2	EA	
15	M0253916	SCR 8-32 SHXW 3/8 TRI-LOBE	8	EA	
16	003269-000	ENDCAP,PRO,RH,HINGE	1	EA	
17	003298-000	PLATE,BACK,GRILLE	1	EA	
18	003296-000	EXTRUSION,LOUVER,MIDDLE	1	EA	
19	003297-000	EXTRUSION,LOUVER,BOTTOM - NLA	1	EA	
20	003295-000	EXTRUSION,LOUVER,TOP	1	EA	
21	003274-000	ENDCAP,PRO,LH,HINGE - NLA	1	EA	
22	PD020233	SCR LAG 5/16-9 GX 5/16X7/16 WAF IHXW 3 S ZN	1	EA	
23	K2099460	MC SIDE L	1	EA	
NI	003299-000	GRILLE,ASM,48 SXS - NLA	1	EA	

REFRIG DOOR ASSEMBLY



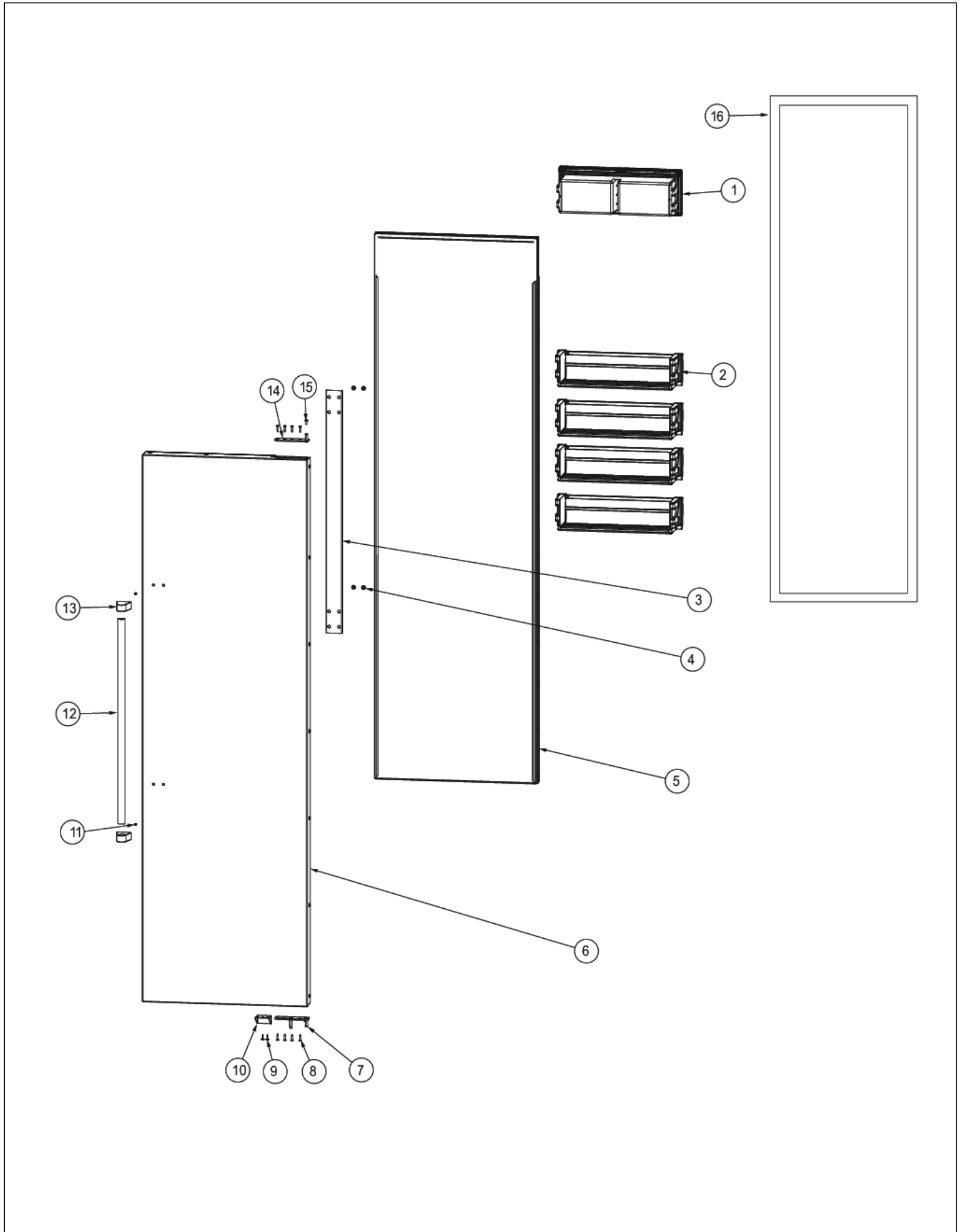


Item	Part No.	Name	Qty	Uom	NOTES
1	V12203602	DAIRY MODULE ASSY #	1	EA	
2	036886-000	DOORBIN ASM SXS 48 FF	4	EA	
3	013328-000	BRKT,HANDLE,SUPPORT,PRO	1	EA	
4	M0204303	SCREW-MACH	4	EA	
5	007047-000	DOOR FOAM ASM SXS 48 FF	1	EA	
6	009181-000	SKIN,DOOR,SXS 48 PRO FF SS	1	EA	
Not Shown	NOTE	(MUST ORDER 2X PM910393)		EA	
NI	009224-002	SKIN,DOOR,SXS 48 PRO FF BK	1	EA	Not available online / Call for pricing and availability
Not Shown	NOTE	(MUST ORDER 2X PM910393)		EA	
NI	009224-003	SKIN,DOOR,SXS 48 PRO FF BT	1	EA	
Not Shown	NOTE	(MUST ORDER 2X PM910393)		EA	
NI	009224-004	SKIN,DOOR,SXS 48 PRO FF SG	1	EA	
Not Shown	NOTE	(MUST ORDER 2X PM910393)		EA	
NI	009224-005	SKIN,DOOR,SXS 48 PRO FF GG	1	EA	
Not Shown	NOTE	(MUST ORDER 2X PM910393)		EA	
NI	009224-006	SKIN,DOOR,SXS 48 PRO FF WH	1	EA	
Not Shown	NOTE	(MUST ORDER 2X PM910393)		EA	
NI	009224-007	SKIN,DOOR,SXS 48 PRO FF AL	1	EA	Not available online / Call for pricing and availability
Not Shown	NOTE	(MUST ORDER 2X PM910393)		EA	
NI	009224-008	SKIN,DOOR,SXS 48 PRO FF BU	1	EA	
Not Shown	NOTE	(MUST ORDER 2X PM910393)		EA	
NI	009224-009	SKIN,DOOR,SXS 48 PRO FF LE	1	EA	
Not Shown	NOTE	(MUST ORDER 2X PM910393)		EA	
NI	009224-010	SKIN,DOOR,SXS 48 PRO FF MJ	1	EA	





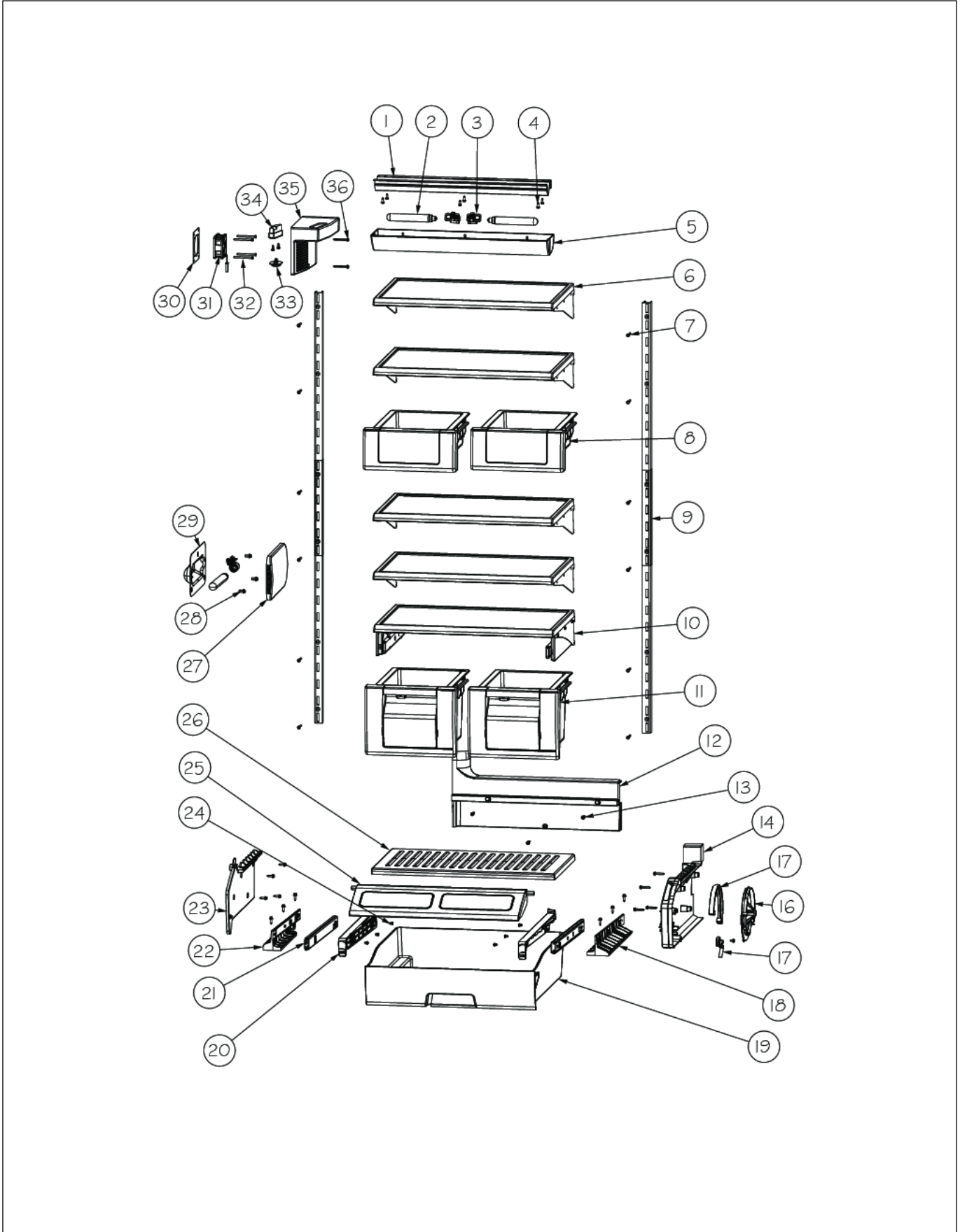
Item	Part No.	Name	Qty	Uom	NOTES
Not Shown	NOTE	(MUST ORDER 2X PM910393)		EA	
NI	009224-011	SKIN,DOOR,SXS 48 PRO FF FG	1	EA	Not available online / Call for pricing and availability
Not Shown	NOTE	(MUST ORDER 2X PM910393)		EA	
NI	009224-012	SKIN,DOOR,SXS 48 PRO FF VB	1	EA	
Not Shown	NOTE	(MUST ORDER 2X PM910393)		EA	
NI	009224-013	SKIN,DOOR,SXS 48 PRO FF CB	1	EA	
Not Shown	NOTE	(MUST ORDER 2X PM910393)		EA	
NI	009224-014	SKIN,DOOR,SXS 48 PRO FF EP	1	EA	Not available online / Call for pricing and availability
Not Shown	NOTE	(MUST ORDER 2X PM910393)		EA	
NI	009224-015	SKIN,DOOR,SXS 48 PRO FF PL	1	EA	
Not Shown	NOTE	(MUST ORDER 2X PM910393)		EA	
NI	009224-016	SKIN,DOOR,SXS 48 PRO FF CH	1	EA	
Not Shown	NOTE	(MUST ORDER 2X PM910393)		EA	
NI	009224-017	SKIN,DOOR,SXS 48 PRO FF TP	1	EA	
Not Shown	NOTE	(MUST ORDER 2X PM910393)		EA	
NI	009224-018	SKIN,DOOR,SXS 48 PRO FF CW NLA	1	EA	
Not Shown	NOTE	(MUST ORDER 2X PM910393)		EA	
NI	009224-019	SKIN,DOOR,SXS 48 PRO FF OG	1	EA	
Not Shown	NOTE	(MUST ORDER 2X PM910393)		EA	
NI	009224-020	SKIN,DOOR,SXS 48 PRO FF GM	1	EA	
Not Shown	NOTE	(MUST ORDER 2X PM910393)		EA	
NI	009224-021	SKIN,DOOR,SXS 48 PRO FF SA	1	EA	
Not Shown	NOTE	(MUST ORDER 2X PM910393)		EA	





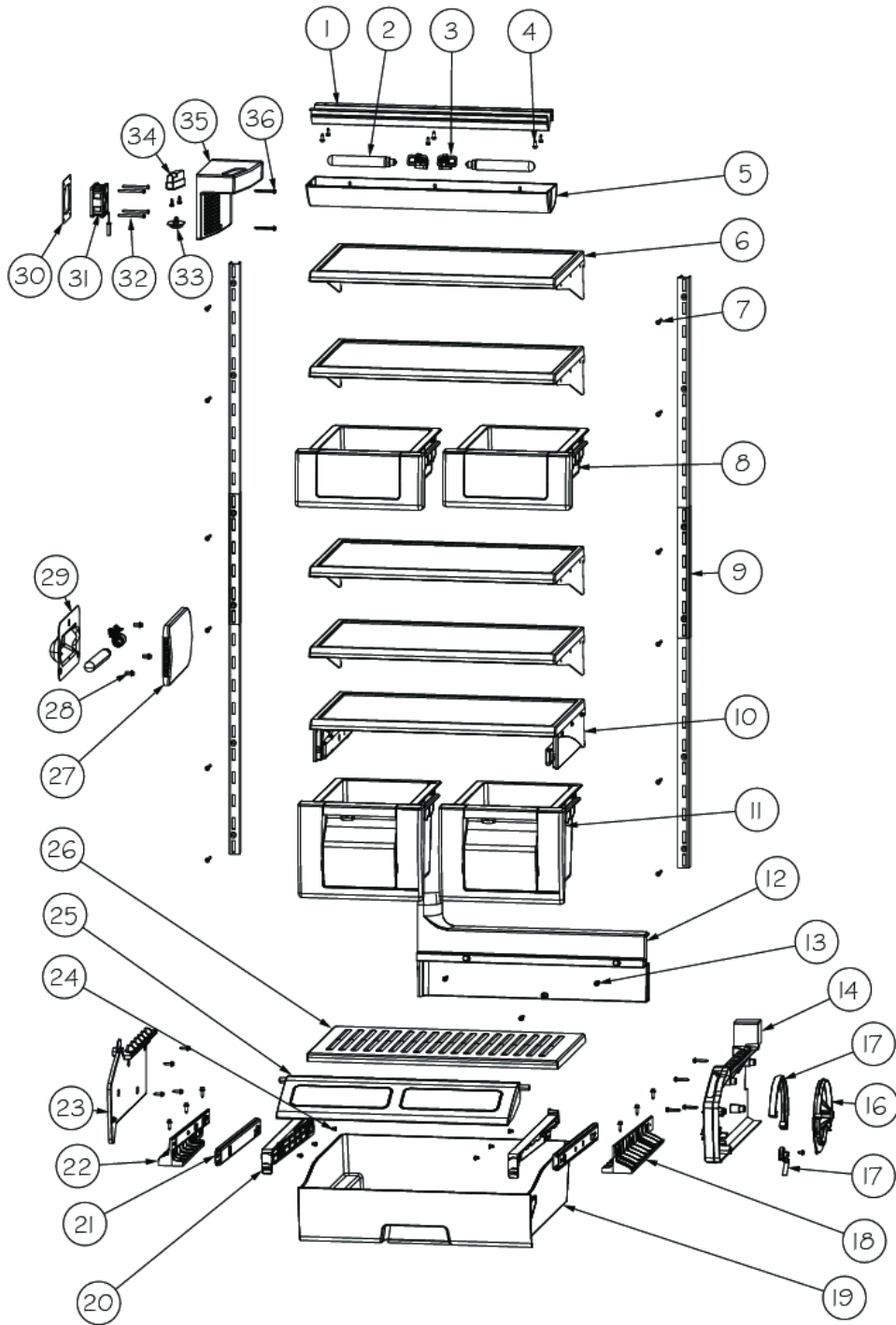
Item	Part No.	Name	Qty	Uom	NOTES
NI	009224-022	SKIN,DOOR,SXS 48 PRO FF SE	1	EA	
Not Shown	NOTE	(MUST ORDER 2X PM910393)		EA	
NI	009224-023	SKIN,DOOR,SXS 48 PRO FF IB	1	EA	
Not Shown	NOTE	(MUST ORDER 2X PM910393)		EA	
NI	009224-024	SKIN,DOOR,SXS 48 PRO FF AR	1	EA	
Not Shown	NOTE	(MUST ORDER 2X PM910393)		EA	
NI	009224-025	SKIN,DOOR,SXS 48 PRO FF RR	1	EA	
Not Shown	NOTE	(MUST ORDER 2X PM910393)		EA	
NI	009224-026	SKIN,DOOR,SXS 48 PRO FF PM	1	EA	
Not Shown	NOTE	(MUST ORDER 2X PM910393)		EA	
NI	009224-027	SKIN,DOOR,SXS 48 PRO FF MS	1	EA	
Not Shown	NOTE	(MUST ORDER 2X PM910393)		EA	
7	016181-000	PIVOT PL ASM RH LW PRO/DES	1	EA	
8	PD920174	10-32 TORX HEAD SCREW	5	EA	
9	M0210458	SCREW-SM	1	EA	
10	PD050019	STRIKER DOOR SWITCH	1	EA	
11	000270-000	SET SCREW (NOT ORDERABLE, MUST ORDER ENDCAP)	2	EA	
12	012891-000	HANDLE,PRO	1	EA	
13	000268-000	HANDLE ENDCAP	2	EA	
NI	000268-100	HANDLE END CAP ASSY - BR	2	EA	
14	PC020278	PIVOT PL ASM RH UP PRO/DES	1	EA	
15	PD020234	SCREW THP 10-32 X .500 SS BO	1	EA	
16	005454-000	GASKET,ASM,48,SXS,FF VID# 602711907-17	1	EA	

REFRIG INTERIOR ASSEMBLY





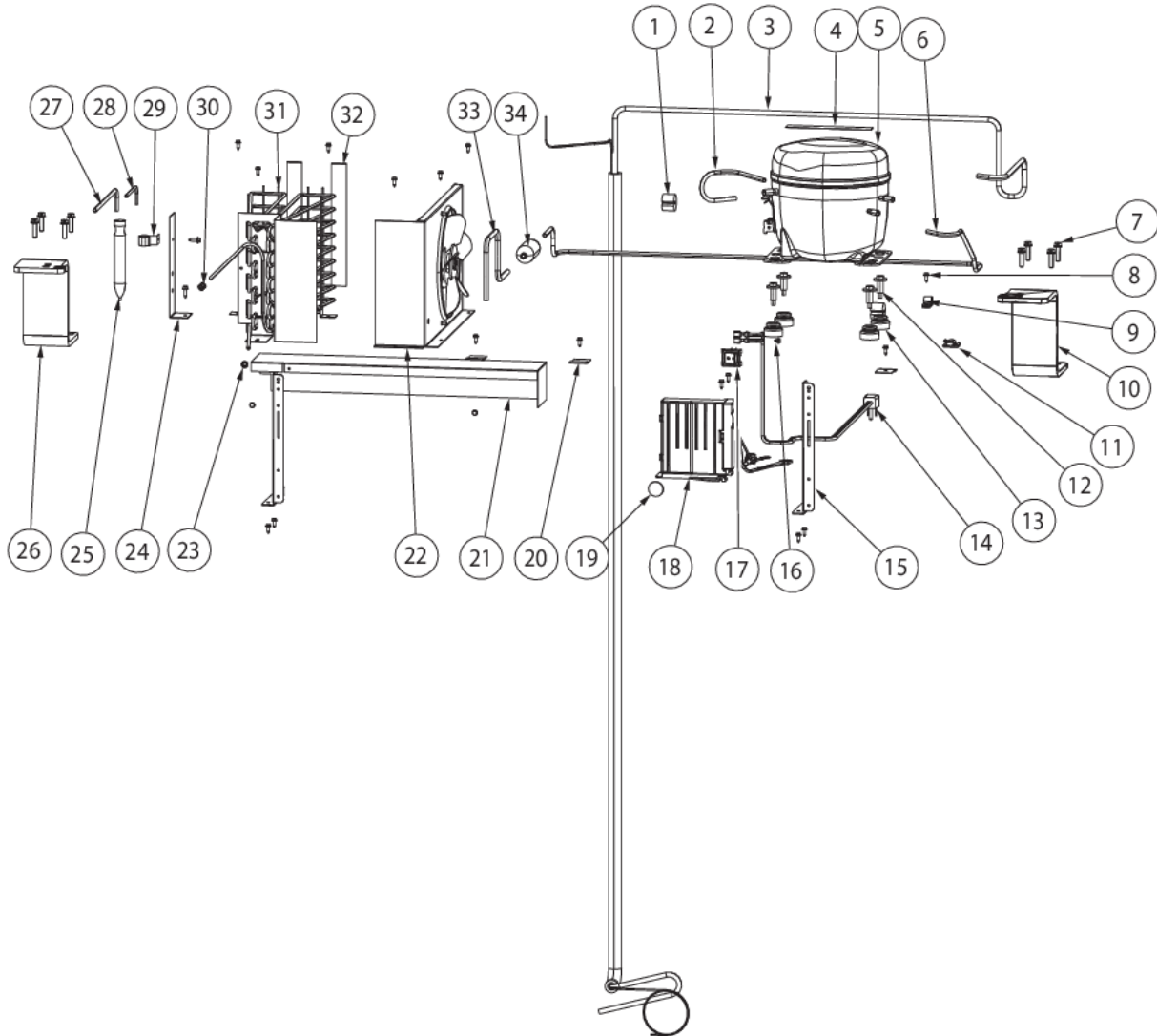
Item	Part No.	Name	Qty	Uom	NOTES
1	L2099492	BRACKET LIGHT SXS 48 FF	1	EA	
2	004528-000	LAMP, 40 WATT CLEAR LIGHT	3	EA	
3	PE950125	LIGHT SOCKET	3	EA	
4	PD020194	SCR, HEX SRTD WSHR HD, #8-18 X 1/2	24	EA	
5	020114-000	COVER LIGHT ASM AF/AR 30 SXS 48 FF	1	EA	
6	043624-000	SHELF ASM GLASS 30 AR 48 FF	4	EA	
7	M0238535	SCREW-SM	12	EA	
8	G32911938	DRAWER DELI ASM SXS 48 AR 30	2	EA	
9	PM910227	LADDER RS REF	2	EA	
10	G50911937	SHELF ASM	1	EA	
11	012259-000	DRAWER PRODUCE ASM AR 30/48	2	EA	
12	PK930327	DUCT MEATSAVOR SXS 48 REAR	1	EA	
13	M0211021	SCREW-SM	3	EA	
14	044232-000	DUCT MEAT SAVOR (R)	1	EA	
15	PK930172	COVER CONTROL MEAT SAVOR	1	EA	
16	044384-000	DIAL CONTROL MEAT SAVOR	1	EA	
17	PM910334	ROLLER TENSION	1	EA	
18	PK930173	SUPPORT SLIDE MEAT SAVOR SXS 42/48 R	1	EA	
19	PK930309	DRAWER MEAT SAVOR AR 30 SXS 48	1	EA	
20	PK930176	SUPPORT DRAWER MEAT SAVOR 42/48 L	1	EA	
21	PM910288	SLIDE MEAT SAVOR L	1	EA	
<p>Comments for Part Num. PM910288</p> <p>profixappliances@gmail.com on May 3, 2017</p> <p>ITEM # 5 SHOULD BE PK930288-DOOR MEATSAVOR ASM AR/BM 36</p>					
22	PK930174	SUPPORT SLIDE MEAT SAVOR SXS 42/48 L	1	EA	
23	PK930170	DUCT MEAT SAVOR SXS 42 L	1	EA	





Item	Part No.	Name	Qty	Uom	NOTES
24	PD920162	SCR 8-16 PLASTITE PNP 1/4 S	2	EA	
25	045692-000	DOOR MEATSAVOR ASM AR 30 SXS 48	1	EA	
26	PK930308	SHELF MEAT SAVOR AR 30 SXS 48	1	EA	
27	PK930346	COVER LIGHT	1	EA	
28	M0580007	GROMMET-SCREW	3	EA	
29	10270203	HOUSING-LIGHT V10270203	1	EA	
30	007302-000	BRACKET,FAN	1	EA	
31	004551-000	AXIAL FAN	1	EA	
<p>Comments for Part Num. 004551-000</p> <p>gboltz@VikingRange.com on Jul 21, 2016</p> <p>View service bulletin TR-0052-SP before ordering fan, if applicable order kit instead of fan</p>					
32	M0221913	SCREW-SM	4	EA	
33	C8983701	THERMISTOR	1	EA	
34	010093-000	PLASMA CLUSTER	1	EA	
35	012312-000	FAN COVER SXS	1	EA	
36	PD020188	SCR 8-18 BT HXWS 1 1/2	2	EA	

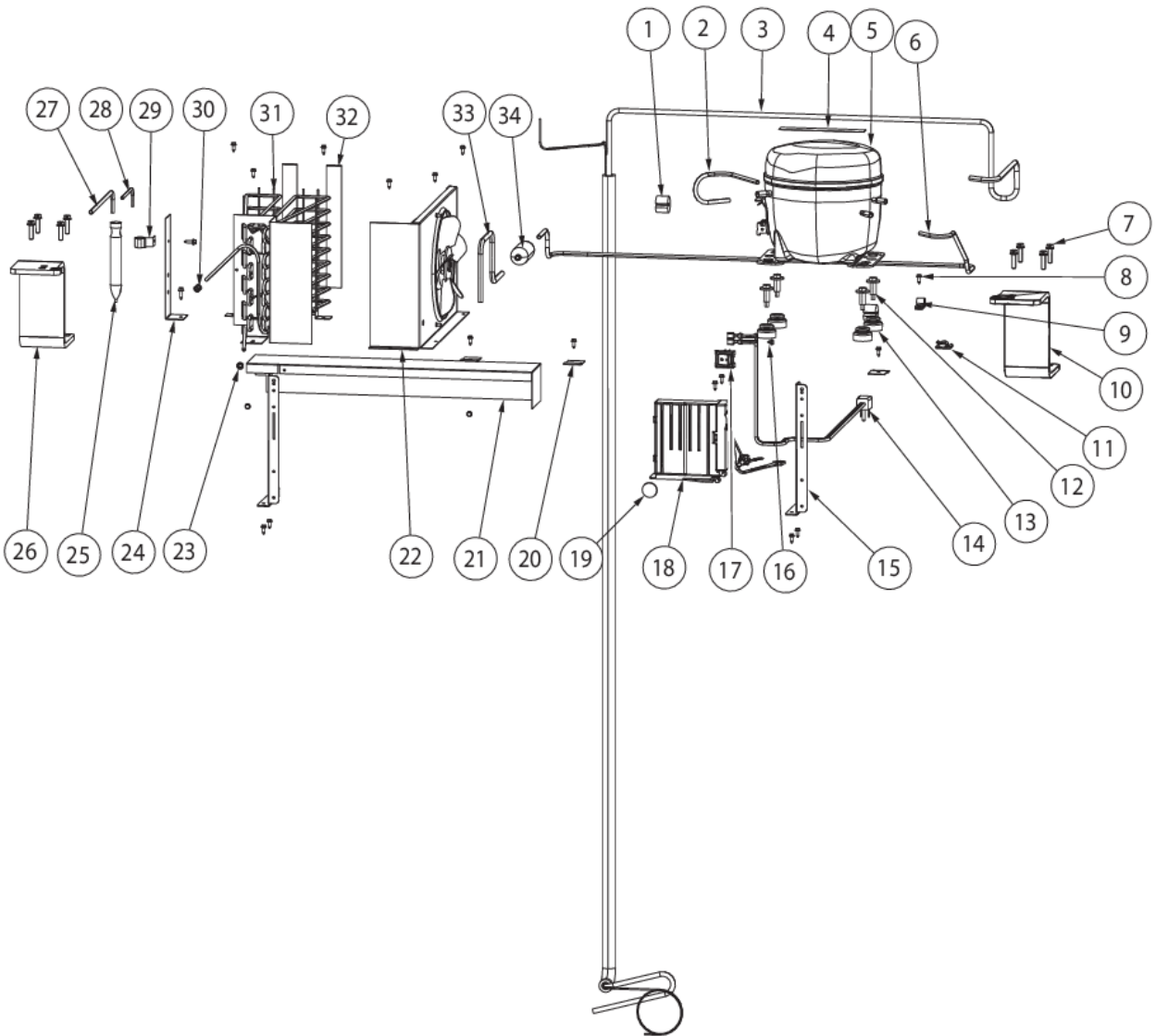
## SEALED SYSTEM ASSEMBLY







Item	Part No.	Name	Qty	Uom	NOTES
1	10699601	DAMPER-TUBING .8	2	EA	
2	F2096507	TUBE-PROCESS GRN	1	EA	
3	053308-000	HEAT EXCHANGER ASM SXS 42	1	EA	
4	C8982701	LABEL-COMP WARN	1	EA	
5	PM010619	COMPRESSOR VCC AF	1	EA	
6	F2099443	TUBE DISCHARGE FORMED PRE ACCUM	1	EA	
7	000570-000	FASTENER, BOLT, 1/4-20 IHXWS 1" S ZN SER	8	EA	
8	PD020195	SCR 8-18 X 5/8	20	EA	
9	PD030118	INSULATED CLAMP	1	EA	
10	PC920203	HINGE ASM UR	1	EA	
11	M0104106	CLIP-CORD VM0104106	1	EA	
12	M0221523	SCREW - SHLDR	4	EA	
13	10835901	GROMMET RUBBER V10835901	4	EA	
14	10916507D	POWER CORD	1	EA	Not available online / Call for pricing and availability
15	K20912569	BRACKET GRILLE SUPPORT	2	EA	
16	M0211014	SCREW-SM	1	EA	Not available online / Call for pricing and availability
17	PE950149	SWITCH POWER	1	EA	
18	011666-000	INVERTER,CMPR,ASM	1	EA	
Comments for Part Num. 011666-000					
gboltz@VikingRange.com on Aug 9, 2018					
See 2018-01P Parts Bulletin					
19	PF930682	LABEL WARNING INVERTER	1	EA	
20	K2096943	PANEL BRACKET	3	EA	
21	K20912585	DIVERTER AIR HI SIDE SXS	1	EA	Not available online / Call for pricing and availability
22	G5096494	COND. FAN ASSY	1	EA	





Item	Part No.	Name	Qty	Uom	NOTES
23	007408-000	RING,LOK, .250 DIA	1	EA	
24	K2099454	BRACKET DRIER	1	EA	
25	PM010616	DRIER - HIGH SIDE	1	EA	
26	PC920193	HINGE ASSEM UPPER RH	1	EA	
27	F2097740	TUBE PROCESS	1	EA	
28	F2096504	TUBE-DRIER EXT	1	EA	
29	10547001	CLIP-DRIER V10547001	1	EA	
30	007407-000	RING,LOK, .187 DIA	1	EA	
31	PB920171	CONDENSER ASM	1	EA	
32	A3189370	GASKET-FOAM VA3189370	2	EA	
33	F2099444	TUBE DISCHARGE FORMED POST ACCUM	1	EA	
34	PB920201	ACCUMULATOR	1	EA	



Appendix A:Pages Index

CONTROL ASSEMBLY ..... 1  
EXTERIOR ASSEMBLY ..... 2  
FREEZER DOOR ASSEMBLY ..... 3  
FREEZER INTERIOR ASSEMBLY ..... 4  
LOW SIDE ASSEMBLY ..... 5  
LOWER UNIT ASSEMBLY ..... 6  
MC COVER AND GRILLE ASSEMBLY ..... 7  
REFRIG DOOR ASSEMBLY ..... 8  
REFRIG INTERIOR ASSEMBLY ..... 9  
SEALED SYSTEM ASSEMBLY ..... 10



Appendix B:Parts Index

000152-002	2	009221-016	3
000268-000	3, 8	009221-017	3
000268-100	3, 8	009221-018	3
000270-000	8	009221-019	3
000570-000	6, 10	009221-020	3
003269-000	7	009221-021	3
003274-000	7	009221-022	3
003295-000	7	009221-023	3
003296-000	7	009221-024	3
003297-000	7	009221-025	3
003298-000	7	009221-026	3
003299-000	7	009221-027	3
003867-000	6, 6	009224-002	8
004528-000	4, 9	009224-003	8
004551-000	4, 6, 9	009224-004	8
005319-000	1	009224-005	8
005396-000	1	009224-006	8
005454-000	8	009224-007	8
005455-000	3	009224-008	8
007047-000	8	009224-009	8
007050-000	3	009224-010	8
007302-000	4, 9	009224-011	8
007407-000	10	009224-012	8
007408-000	10	009224-013	8
007981-000	7	009224-014	8
009181-000	8	009224-015	8
009221-002	3	009224-016	8
009221-003	3	009224-017	8
009221-004	3	009224-018	8
009221-005	3	009224-019	8
009221-006	3	009224-020	8
009221-007	3	009224-021	8
009221-008	3	009224-022	8
009221-009	3	009224-023	8
009221-010	3	009224-024	8
009221-011	3	009224-025	8
009221-012	3	009224-026	8
009221-013	3	009224-027	8
009221-014	3	010093-000	9
009221-015	3	010489-000	1
		011666-000	10



012259-000	9	A3189370	5, 10
012312-000	9	A4554806	6, 7
012891-000	3, 8	A4554817	1, 6
013314-000	3	B20915627	6
013328-000	3, 8	C2097183	4
014334-000	6	C8982701	10
015365-000	1	C8983701	5, 9
016181-000	8	F20915693	6
016182-000	3	F2096504	10
016593-000	1	F2096507	10
020114-000	9	F2097740	10
020117-000	4	F2099443	10
036886-000	8	F2099444	10
036888-000	3	G32911938	9
043156-000	4	G32913789	6
043624-000	9	G50911853	6
044232-000	9	G50911937	9
044370-000	6	G5096494	10
044384-000	9	G5098660	5
045013-000	2	K20910007	7
045692-000	9	K20910008	7
053308-000	5, 10	K20910060	1
058966-000	5	K20910061	1
060890-000	6	K20911831	6
060891-000	6	K20912569	10
10270203	4, 9	K20912585	10
10428101	5	K20915000	1
10527401	5	K20915675	7
10547001	10	K20915952	6
10623003	5	K2096456	5
10629001	5	K2096457	5
10699601	10	K2096458	5
10835901	10	K2096461	5
10916507D	10	K2096943	10
12064001	1	K2098044	6
12231701	4	K2098096	6
12258501	4	K2098654	1
12304301	4	K2099402	1
40370P01	2	K2099454	10
A3030361	1	K2099455	7
A3127415	4	K2099459	7



K2099460	7	PC920193	10
L20914124	6	PC920203	10
L2097181	5	PD020010	6
L2097182	5	PD020013	1
L2099475	4	PD020043	3
L2099492	9	PD020188	4, 9
M0104102	6	PD020194	1, 4, 5, 6, 7, 9
M0104106	1, 6, 10	PD020195	10
M0204303	3, 8	PD020233	7
M0210443	2	PD020234	3, 6, 8
M0210458	3, 8	PD020274	6
M0211014	5, 10	PD030118	10
M0211021	4, 9	PD030146	6
M0215318	2	PD040157	7
M0220417	6	PD050019	3, 8
M0221523	6, 10	PD920162	9
M0221913	4, 9	PD920174	3, 8
M0224128	1	PD940090	6
M0238535	4, 9	PD940091	6
M0238846	1	PD940094	6
M0253916	6, 7	PD940107	6
M0288120	1	PE010030	3
M0580007	4, 9	PE010068	3
M0585504	1	PE050248	6
M0585506	1	PE070728	1
PB020304	6	PE950125	4, 9
PB070355	7	PE950146	6
PB070363	7	PE950147	6
PB920171	10	PE950149	10
PB920201	10	PE970464	1
PB970171	7	PE970609	1
PC020278	8	PF031267	6
PC020279	3	PF930654	6
PC020288	6	PF930672	1
PC020289	6	PF930682	10
PC040010	1, 1, 6, 7	PJ910031	5
PC910015	6	PK050004	7
PC920144	6	PK910123	2
PC920145	6	PK930073	4
PC920149	6	PK930074	4
PC920166	6	PK930075	4



PK930076	4
PK930079	4
PK930086	4
PK930150	5
PK930170	9
PK930172	9
PK930173	9
PK930174	9
PK930176	9
PK930308	9
PK930309	9
PK930327	9
PK930346	4, 9
PK930348	6
PM010616	10
PM010619	10
PM910190	4
PM910206	5
PM910227	9
PM910288	9
PM910334	9
PM910411	4
V12203602	8