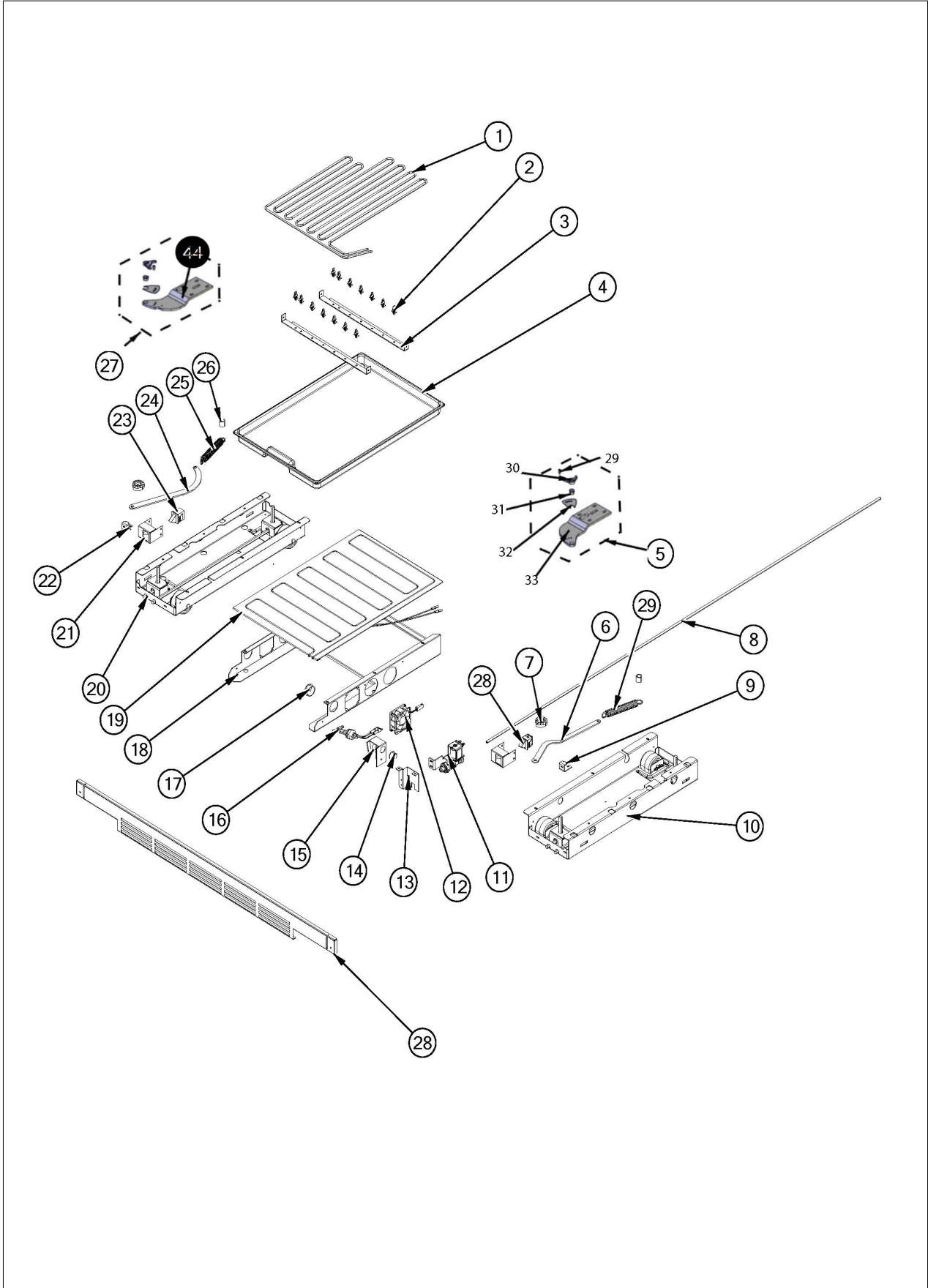


VCSB5421

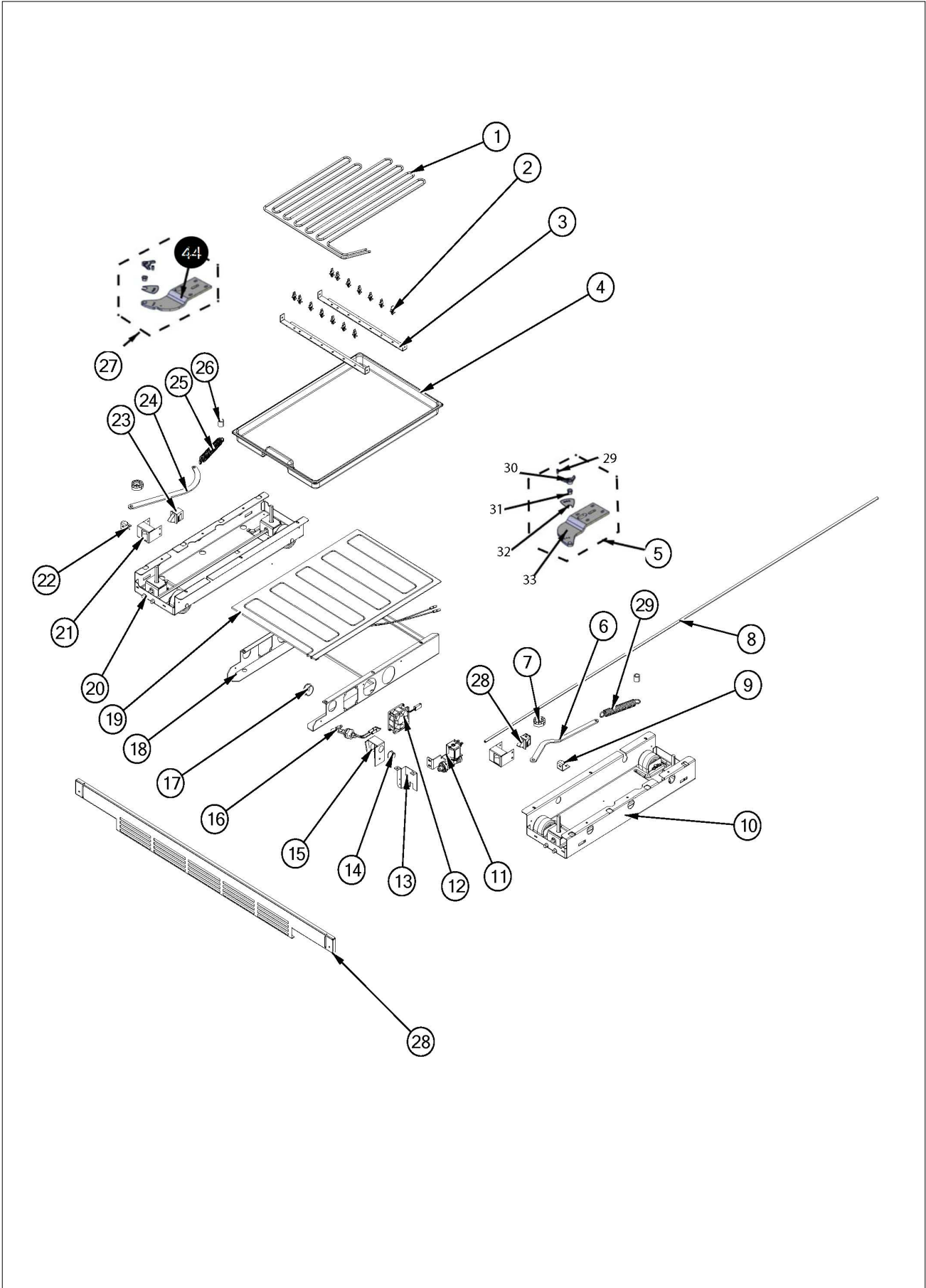
CABINET BOTTOM ASSY	1
CABINET EXTERIOR	2
CONTROL PANEL ASSY	3
DOOR SHELVES	4
FF DOOR ASSY	5
FF INTERIOR	6
FZ DOOR ASSY	7
FZ INTERIOR	8
HI SIDE ASSY	9
LOW SIDE ASSY	10
UPPER GRILLE	11
Appendix A:Pages Index	A
Appendix B:Parts Index	B

CABINET BOTTOM ASSY





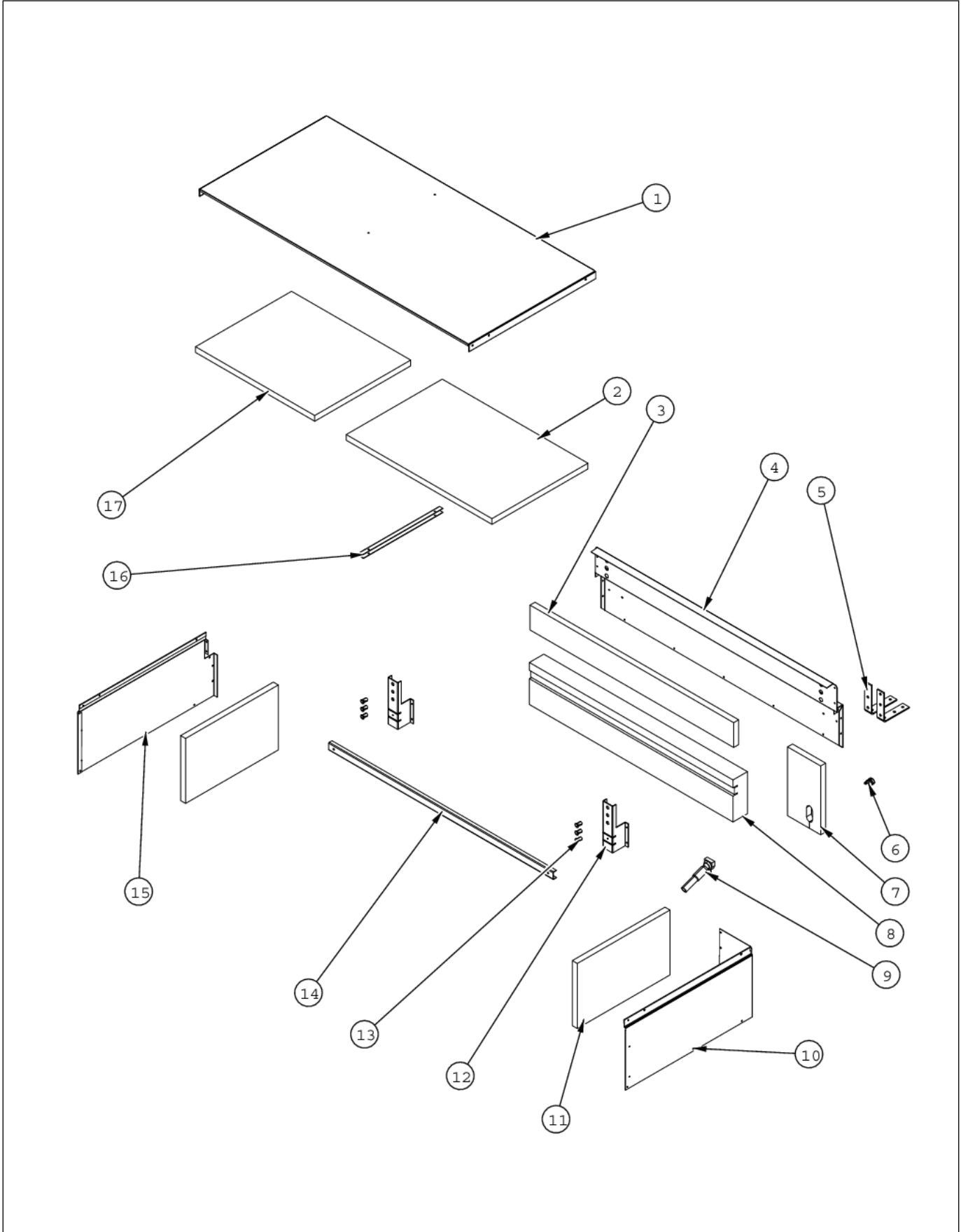
Item	Part No.	Name	Qty	Uom	NOTES
1	F20915693	SERPENTINE CONDENSER DRAIN ALL SXS'S	1	EA	
2	PD030146	STAND OFF LOCK CLIP	14	EA	
3	K20911831	BRACKET CONDENSATE SUPPORT	2	EA	
4	PK930348	PAN DRAIN	1	EA	
5	G3298648	HINGE ASM COMPLETE LR	1	EA	
6	PC920166	HINGE ASM COMPLETE RR	1	EA	
7	044370-000	CAM DOOR ADJUSTMENT (SXS)	2	EA	
8	PB020304	PLASTIC TUBING-IM WATERLINE	1	EA	
9	K2098044	BRKT GRILLE SUPPORT	1	EA	
10	060890-000	LEVELER MODULE R	1	EA	
11	PA970012	SINGLE WATER VALVE	1	EA	
12	004551-000	AXIAL FAN	1	EA	
<p>Comments for Part Num. 004551-000</p> <p>gboltz@VikingRange.com on Jul 21, 2016</p> <p>View service bulletin TR-0052-SP before ordering fan, if applicable order kit instead of fan</p>					
13	K20913788	BRKT VALVE H2O SINGLE	1	EA	
14	A4554806	BUSHING-SNAP VA4554806	2	EA	
15	B20915627	BRACKET HORIZ FLOAT SWITCH	1	EA	
16	PE050248	FLOAT SWITCH HORIZONTAL	1	EA	
17	A4554817	BUSHING-SNAP VA4554817	1	EA	
18	K20915952	SHIELD BOTTOM DRAIN	1	EA	
19	G50911853	TRAY PAN HEATER	1	EA	
20	060891-000	LEVELER MODULE L	1	EA	
21	014334-000	BRACKET,LT,SWITCH	2	EA	
22	K2098096	BRKT GRILLE SUPPORT	1	EA	
23	PE950146	SPDT SWITCH	1	EA	
24	PC920149	BAR-WC BOT HINGE LH	1	EA	
25	PC910015	SPRING EXTENSION	1	EA	
26	PD940107	ROUND SPRING SPACER	2	EA	





Item	Part No.	Name	Qty	Uom	NOTES
27	G3298649	HINGE ASM COMPLETE LL	1	EA	
28	044927-000	GRILLE, TOE, ASM, 42 SXS	1	EA	
29	PC920145	PIN - DOOR STOP	2	EA	
30	PD940091	BUSHING - DOOR STOP	2	EA	
31	PD940090	BUSHING - WC DOOR LEVEL	2	EA	
32	PC920144	PLATE - WC DOOR SHIM	2	EA	
33	PC020288	HINGE PLATE LR	1	EA	
34	PC020289	HINGE PLATE LL	1	EA	

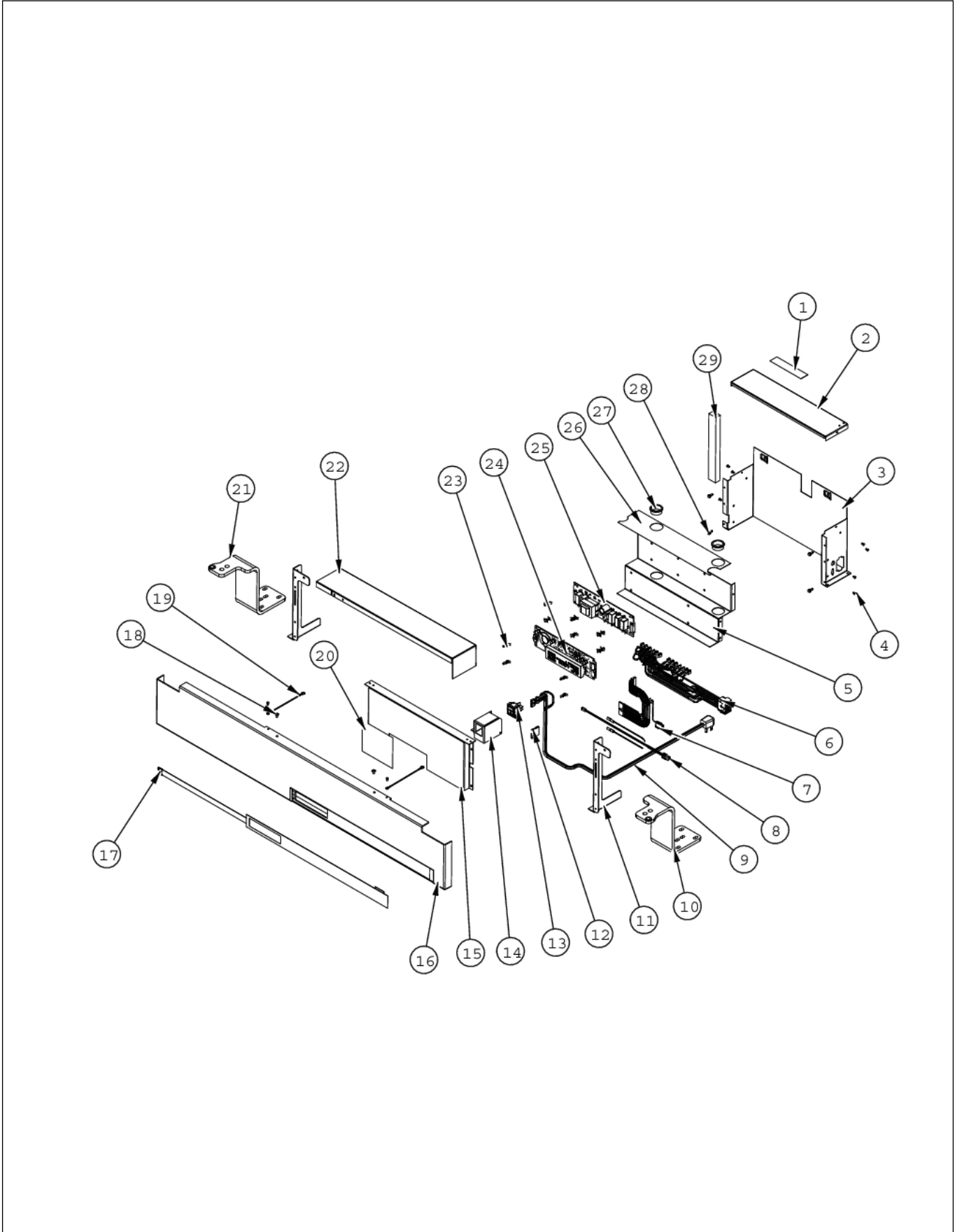
CABINET EXTERIOR





Item	Part No.	Name	Qty	Uom	NOTES
1	K2099458	MC TOP SXS 42	1	EA	
2	015031-000	INSULATION,FOAM,MC TOP RIGHT 42"	1	EA	
3	PB070360	INSULATION MC COVER	1	EA	
4	K2099461	MC BACK 42	1	EA	
5	PK910089	BRACKET, ANTI - TIP	2	EA	
6	003104-000	BUSHING,STRN,RLF	1	EA	
7	007341-000	INSL,MC,BACK SIDE	1	EA	
8	PB070361	INSULATION MC COVER	1	EA	
9	G5096419	FILL TUBE ASSY	1	EA	
<p>Comments for Part Num. G5096419</p> <p>bradleysapplianceservice@shaw.ca on May 11, 2018</p> <p>This part G5096419 does NOT come with the aluminum tube.</p> <p>If aluminum tube is required, order 005899-000 and cut to size.</p>					
10	004614-000	MC SIDE R	1	EA	
11	PB070355	INSULATION MC COVER	2	EA	
12	K20915675	BRACKET PSM	2	EA	
13	PD040157	BEARING SLEEVE	6	EA	
14	K20915903	CROSSMEMBER PSM 42	1	EA	Not available online / Call for pricing and availability
15	K2099460	MC SIDE L	1	EA	
16	K2099455	SUPPORT MC Z	1	EA	
17	015032-000	INSULATION,FOAM,MC TOP LEFT 42"	1	EA	

CONTROL PANEL ASSY





Item	Part No.	Name	Qty	Uom	NOTES
1	PF930487	TECH LITERATURE LABEL - 2	1	EA	
2	K20915000	CONTROL BOX TOP	1	EA	
3	016928-000	CONTROL BOX	1	EA	
4	PC040010	POP RIVET (.063/GR -.125) GAMD42-A	8	EA	
5	019993-000	BRACKET - PC	1	EA	
6	015365-000	HARNESS HIGH VOLT	1	EA	
7	PE970464	HARNESS LOW VOLT 5 SERIES	1	EA	
8	PE970609	HARNESS CONTROL BOARD 5 SERIES	1	EA	
9	10916507	CORD-POWER 5 SERIES	1	EA	
10	PC920203	HINGE ASM UR	1	EA	
11	014190-000	BRACKET, GRILLE SUPPORT	2	EA	
12	M0104106	CLIP-CORD VM0104106	1	EA	
13	PE950149	SWITCH POWER	1	EA	
14	025433-000	BRACKET,SW,POWER	1	EA	
15	016930-000	MOTR CONTROL BOX FRONT	1	EA	
16	016527-000	PANEL CONTROL SXS 42	1	EA	
17	016270-000	OVERLAY,SW,ASM,SXS 42	1	EA	
18	M0224128	SCREW-SM	2	EA	
19	12064001	SUPP-CONT PANEL	2	EA	
20	PF930672	LABEL DC COMPRESSOR	1	EA	
21	PC920204	HINGE ASM UL	1	EA	
22	014519-000	DIVERTER AIR HI SIDE SXS	1	EA	
23	M0585504	SUPPORT	10	EA	
24	017695-000	BOARD,LOW,VOLTAGE	1	EA	

Comments for Part Num. 017695-000

bradleysapplianceservice@shaw.ca on Apr 21, 2017

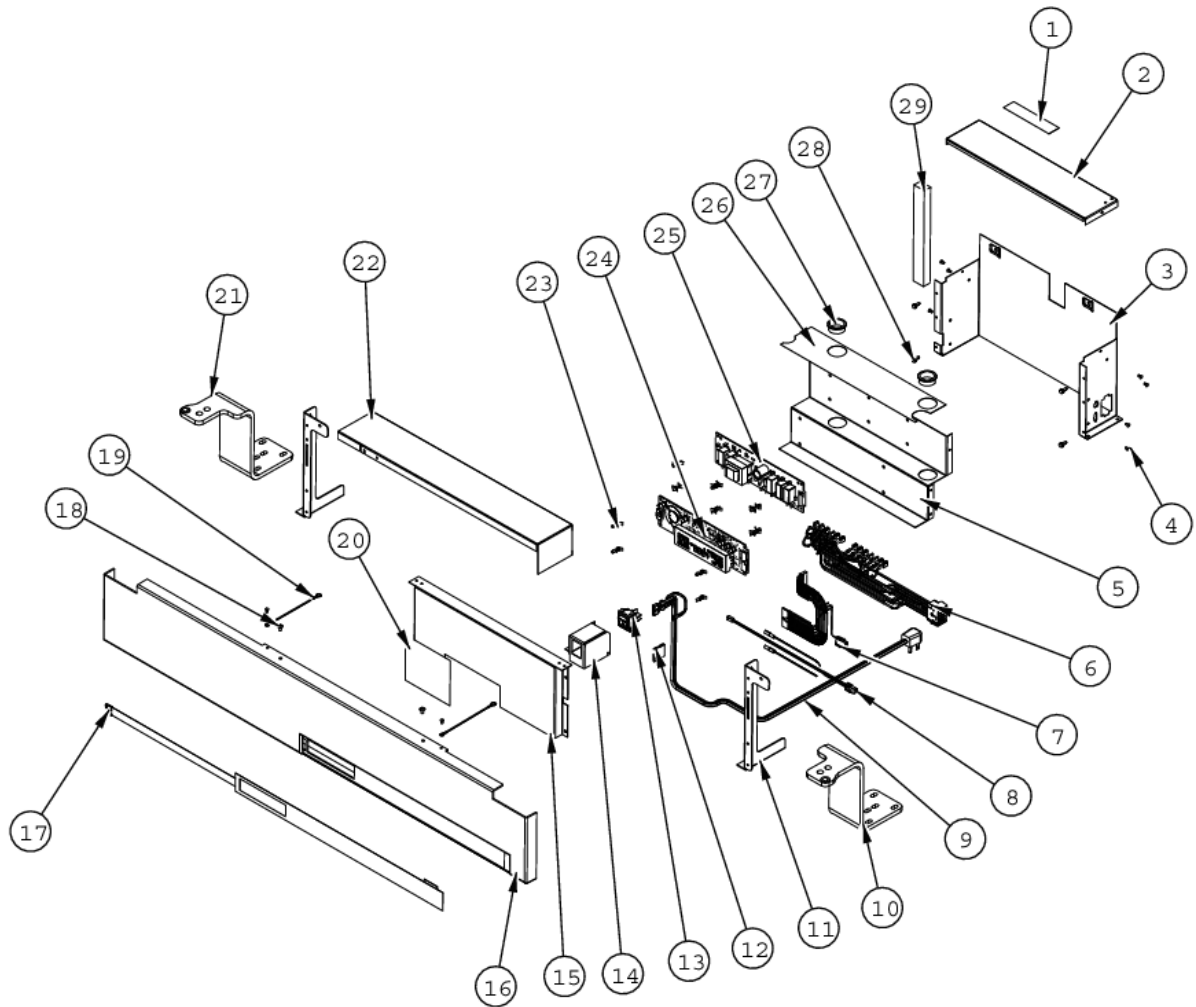
CAUTION WHEN ORDERING PART:

057309-000 LOW VOLTAGE BOARD WHITE FACE - FOR 2 SERIES AND UP.

017695-000 LOW VOLTAGE BOARD BLACK FACE - FOR 1 SERIES ONLY.

vharding68@verizon.net on Aug 3, 2018

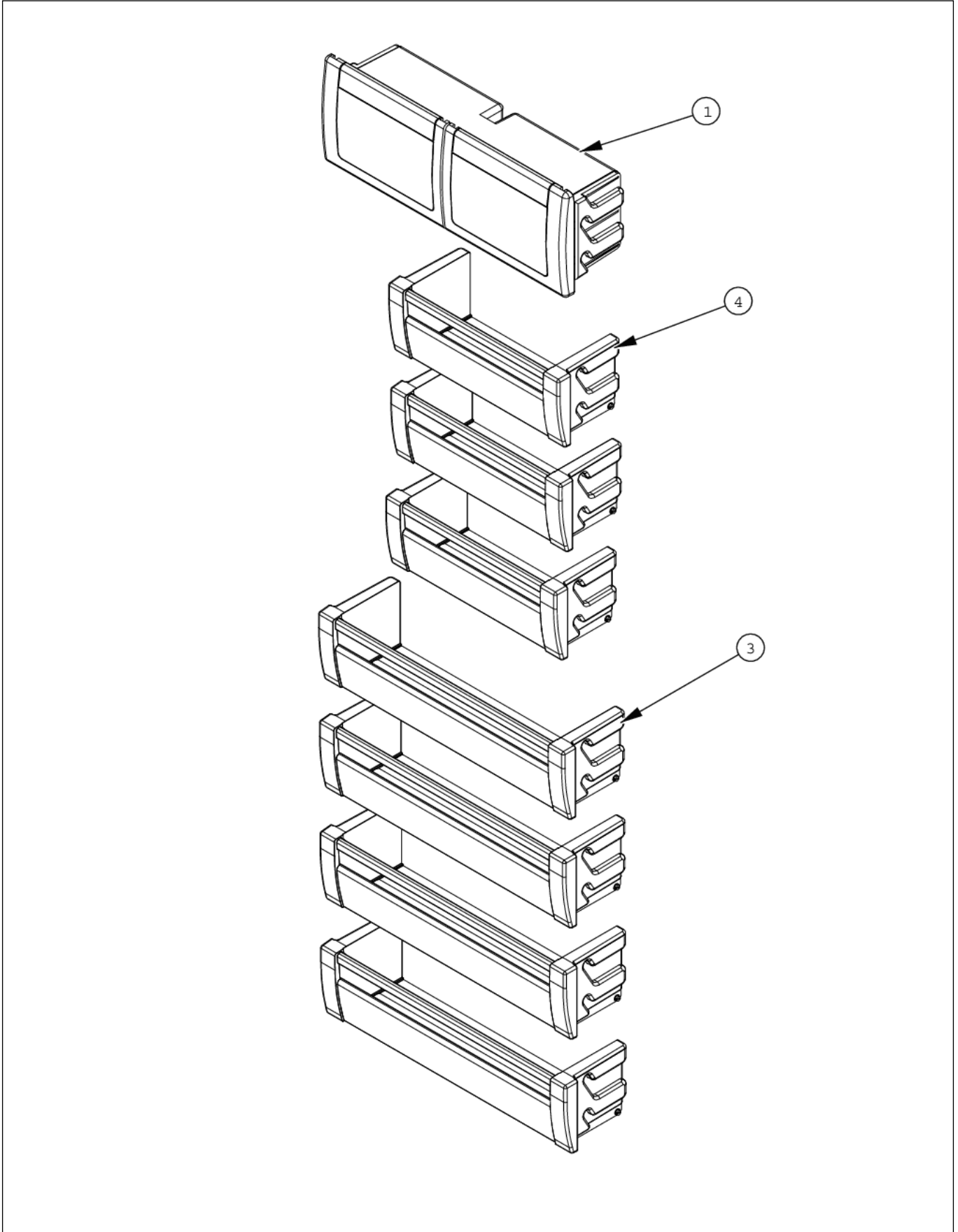
Thank you for that :-)





Item	Part No.	Name	Qty	Uom	NOTES
25	005319-000	POWER CONTROL BOARD ASM 5 SERIES	1	EA	
Comments for Part Num. 005319-000					
boltz on Apr 12, 2018 See TR-0056-SP Bulletin					
26	005396-000	FILM,PROTECTIVE	1	EA	
27	A4554817	BUSHING-SNAP VA4554817	2	EA	
28	PD020194	SCR, HEX SRTD WSHR HD, #8- 18 X 1/2	4	EA	
29	A3030361	GASKET RED	1	EA	

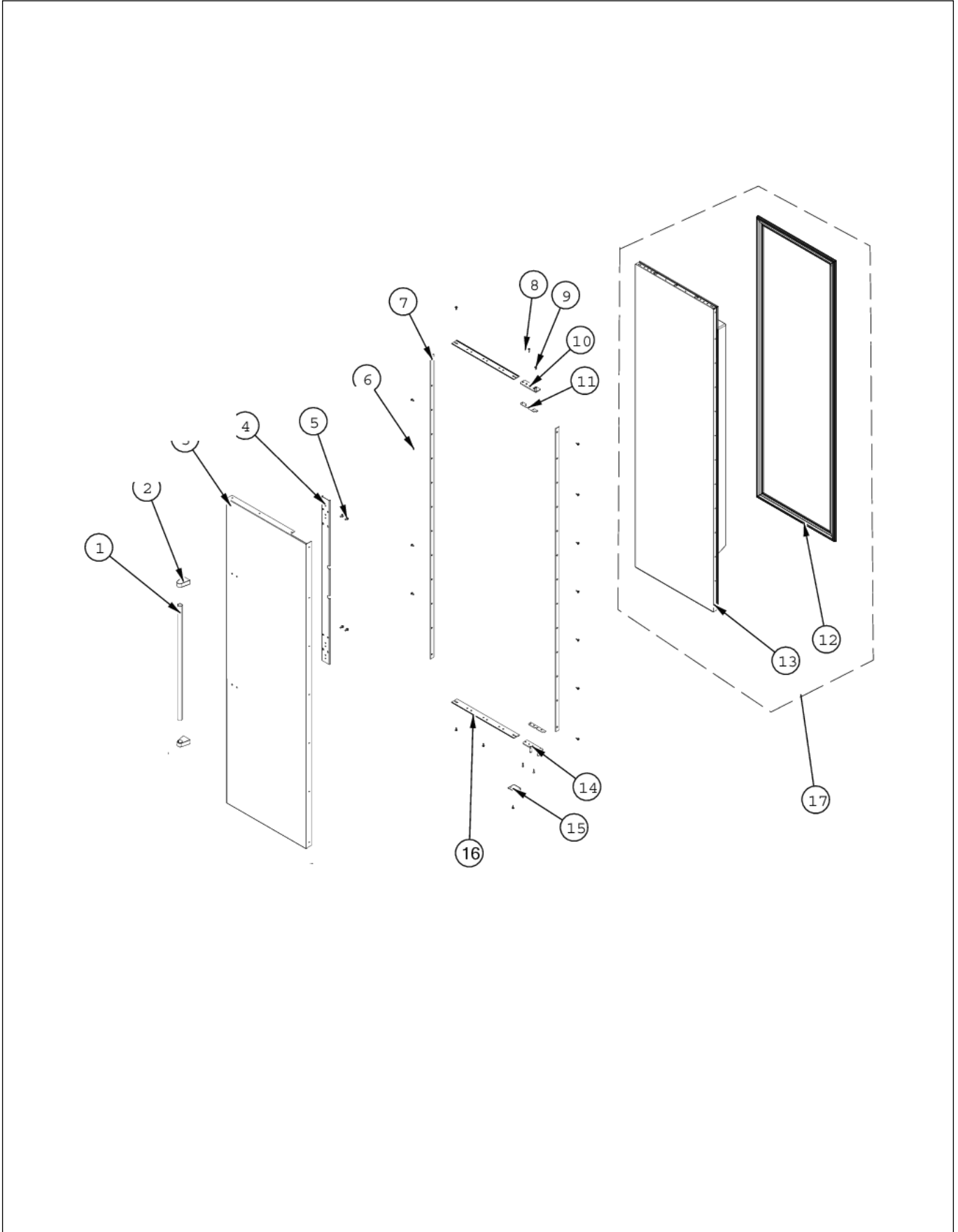
DOOR SHELVES



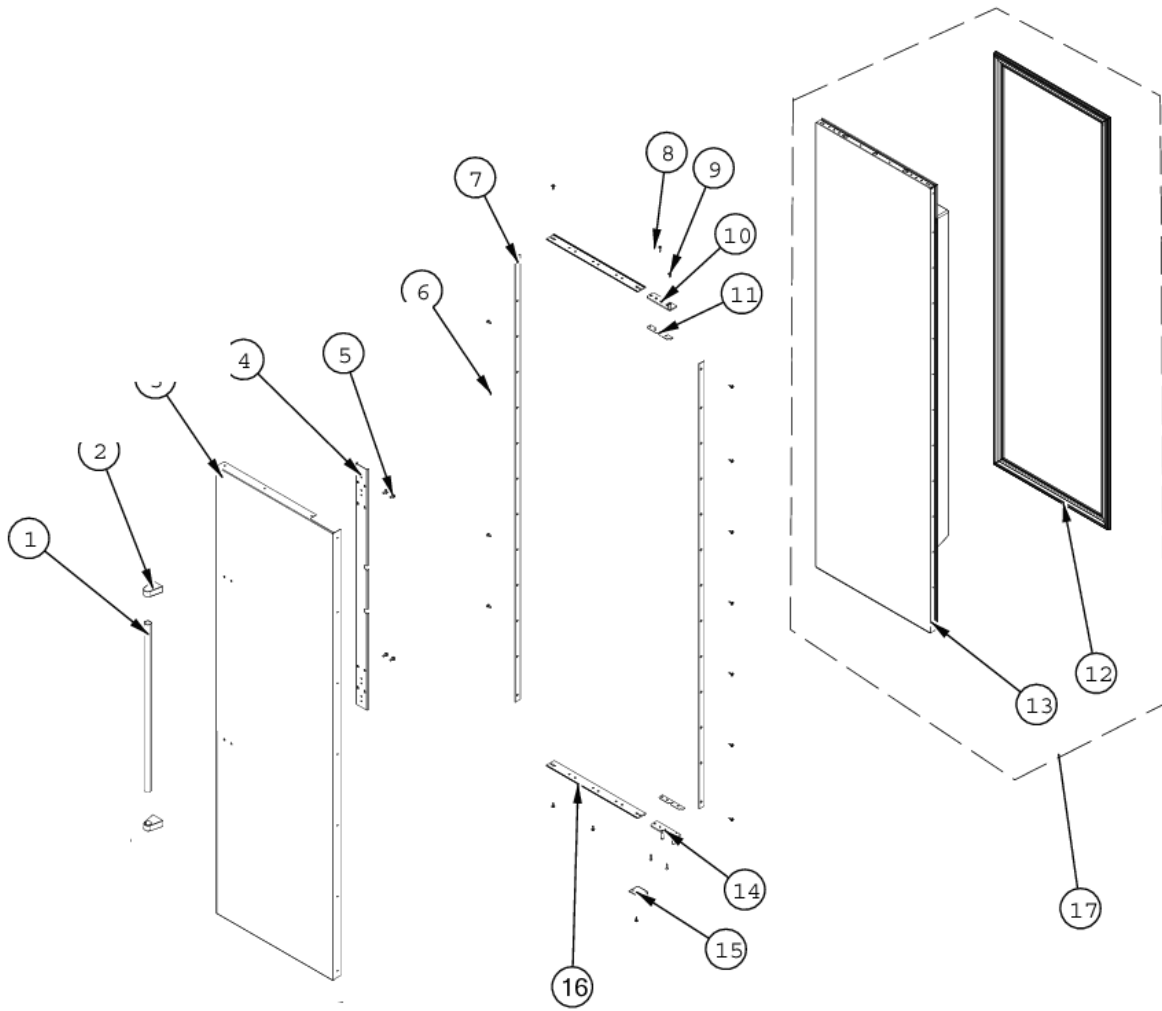


Item	Part No.	Name	Qty	Uom	NOTES
1	PK930123	DAIRY MODULE ASM SXS 42	1	EA	
2	036888-000	DOORBIN ASM SXS FZ	3	EA	
3	036890-000	DOORBIN ASM SXS 42 FF	4	EA	
NI	019244-000	ACCESSORY, ASM	1	EA	

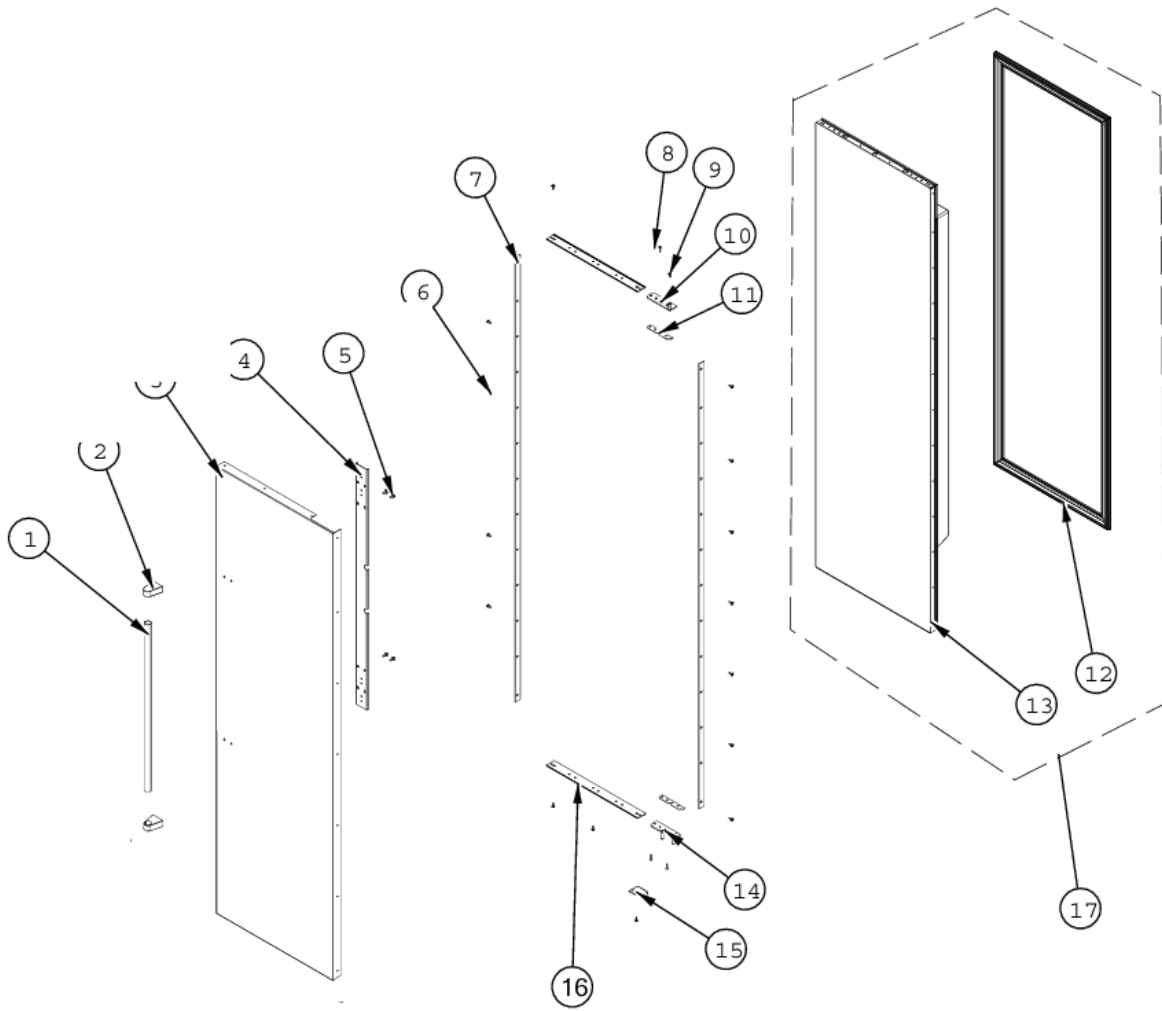
FF DOOR ASSY



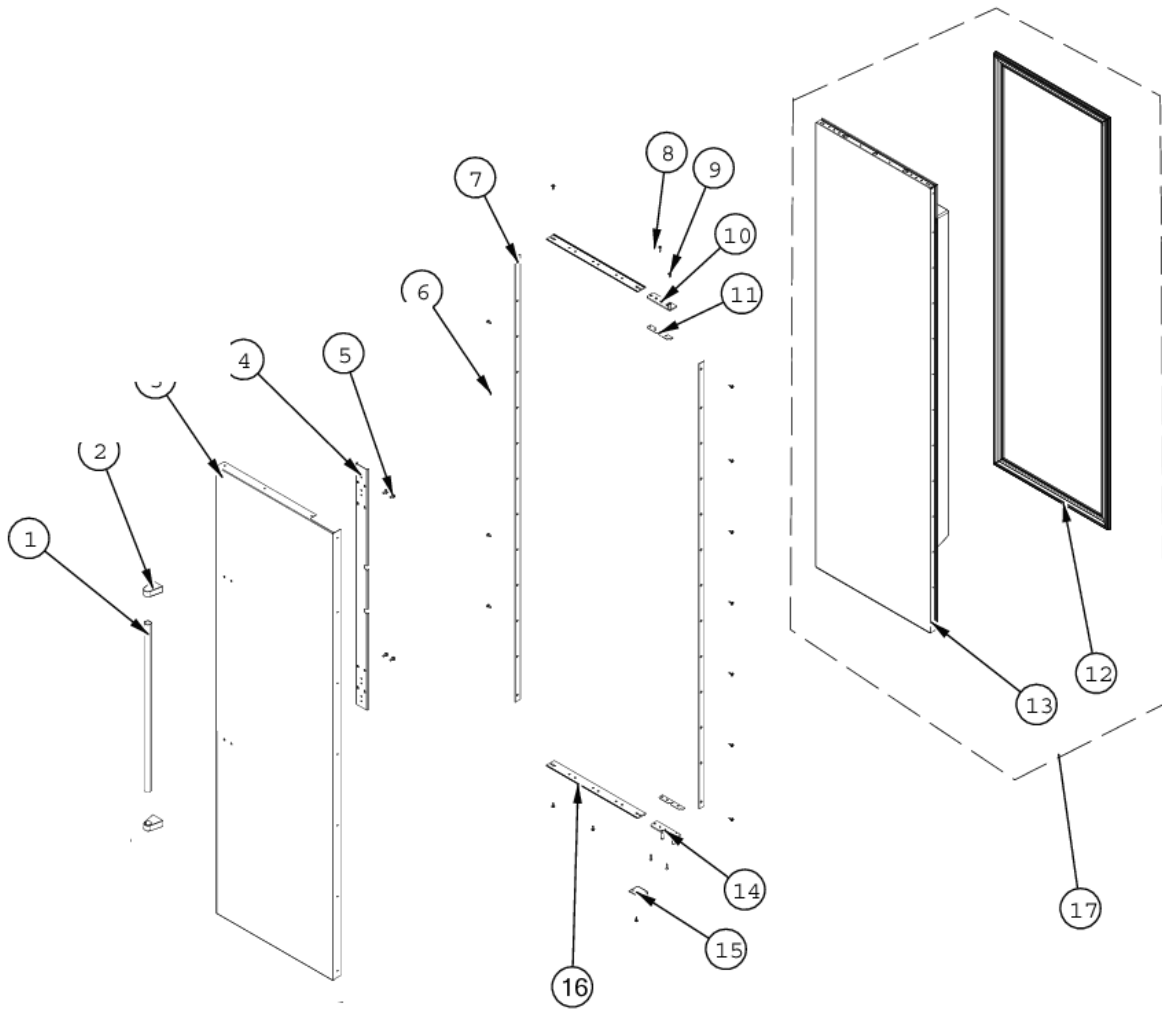
Item	Part No.	Name	Qty	Uom	NOTES
1	012891-000	HANDLE,PRO	1	EA	
2	000268-000	HANDLE ENDCAP	2	EA	
2	000268-100	HANDLE END CAP ASSY - BR	2	EA	
3	036308-000	SKIN, DOOR, SXS 42 FF PROI SS	1	EA	
3	036323-002	SKIN, DOOR, SXS 42 FF PROI BK	1	EA	
3	036323-003	SKIN, DOOR, SXS 42 FF PROI BT	1	EA	Not available online / Call for pricing and availability
3	036323-004	SKIN, DOOR, SXS 42 FF PROI SG	1	EA	Not available online / Call for pricing and availability
3	036323-005	SKIN, DOOR, SXS 42 FF PROI GG	1	EA	Not available online / Call for pricing and availability
3	036323-008	SKIN, DOOR, SXS 42 FF PROI BU	1	EA	Not available online / Call for pricing and availability
3	036323-009	SKIN, DOOR, SXS 42 FF PROI LE	1	EA	Not available online / Call for pricing and availability
3	036323-010	SKIN, DOOR, SXS 42 FF PROI MJ	1	EA	Not available online / Call for pricing and availability
3	036323-012	SKIN, DOOR, SXS 42 FF PROI VB	1	EA	Not available online / Call for pricing and availability
3	036323-013	SKIN, DOOR, SXS 42 FF PROI CB	1	EA	Not available online / Call for pricing and availability
3	036323-015	SKIN, DOOR, SXS 42 FF PROI PL	1	EA	Not available online / Call for pricing and availability
3	036323-016	SKIN, DOOR, SXS 42 FF PROI CH	1	EA	Not available online / Call for pricing and availability



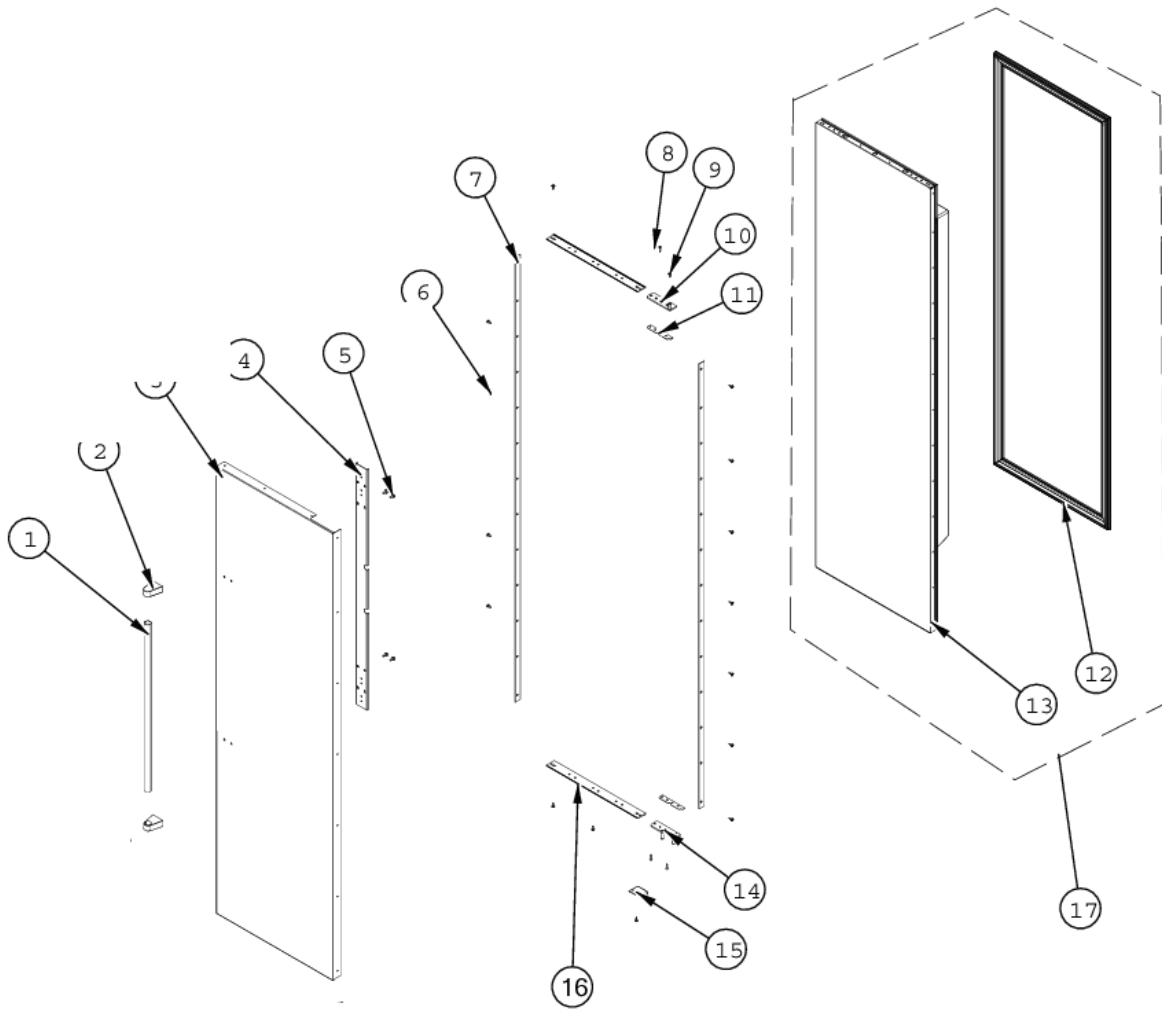
Item	Part No.	Name	Qty	Uom	NOTES
3	036323-017	SKIN, DOOR, SXS 42 FF PROI TP	1	EA	Not available online / Call for pricing and availability
3	036323-018	SKIN, DOOR, SXS 42 FF PROI CW	1	EA	Not available online / Call for pricing and availability
3	036323-021	SKIN, DOOR, SXS 42 FF PROI SA	1	EA	Not available online / Call for pricing and availability
3	036323-022	SKIN, DOOR, SXS 42 FF PROI SE	1	EA	Not available online / Call for pricing and availability
3	036323-023	SKIN, DOOR, SXS 42 FF PROI IB	1	EA	Not available online / Call for pricing and availability
3	036323-024	SKIN, DOOR, SXS 42 FF PROI AR	1	EA	Not available online / Call for pricing and availability
3	036323-025	SKIN, DOOR, SXS 42 FF PROI RR	1	EA	Not available online / Call for pricing and availability
3	036323-051	SKIN, DOOR, SXS 42 FF PROI CN	1	EA	Not available online / Call for pricing and availability
3	036323-052	SKIN, DOOR, SXS 42 FF PROI DJ	1	EA	Not available online / Call for pricing and availability
3	036323-053	SKIN, DOOR, SXS 42 FF PROI KB	1	EA	Not available online / Call for pricing and availability
3	036323-054	SKIN, DOOR, SXS 42 FF PROI WS	1	EA	Not available online / Call for pricing and availability
4	013328-000	BRKT,HANDLE,SUPPORT,PRO	1	EA	
5	M0204303	SCREW-MACH	4	EA	
6	M0210458	SCR 8-18 X 5/8 WAFER PH SMS	22	EA	
7	014581-000	SPACER,TRIM,SXS,AF,AR	2	EA	
8	PD920174	10X7/8 PHILLIPS SMA TRI LOBE SA	8	EA	



Item	Part No.	Name	Qty	Uom	NOTES
9	PD020234	SCREW THP 10-32 X .500 SS BO	1	EA	
10	PC020278	PIVOT PL ASM RH UP PRO/DES	1	EA	
11	PD040162	SPACER-DOOR HINGE	2	EA	
12	005451-000	GASKET,ASM,42,SXS,FF VID# 602711807-17	1	EA	
13	007514-000	DOOR FOAM ASM SXS 42 FF	1	EA	
14	016181-000	PIVOT PL ASM RH LW PRO/DES	1	EA	
15	PD050019	STRIKER DOOR SWITCH	1	EA	
16	056838-000	TRIM, FF, TOP/BTM, 42	2	EA	
17	007478-000	DOOR ASM SXS 42/42D FF	1	EA	
18	010586-000	SKIN, ASM, SXS 42 FF PROI SS	1	EA	
18	009575-002	SKIN, ASM, SXS 42 FF PROI BK	1	EA	
18	009575-003	SKIN, ASM, SXS 42 FF PROI BT	1	EA	
18	009575-004	SKIN, ASM, SXS 42 FF PROI SG	1	EA	
18	009575-005	SKIN, ASM, SXS 42 FF PROI GG	1	EA	
18	009575-008	SKIN, ASM, SXS 42 FF PROI BU	1	EA	
18	009575-009	SKIN, ASM, SXS 42 FF PROI LE	1	EA	
18	009575-010	SKIN, ASM, SXS 42 FF PROI MJ	1	EA	
18	009575-012	SKIN, ASM, SXS 42 FF PROI VB	1	EA	
18	009575-013	SKIN, ASM, SXS 42 FF PROI CB	1	EA	
18	009575-015	SKIN, ASM, SXS 42 FF PROI PL	1	EA	
18	009575-016	SKIN, ASM, SXS 42 FF PROI CH	1	EA	
18	009575-017	SKIN, ASM, SXS 42 FF PROI TP	1	EA	
18	009575-018	SKIN, ASM, SXS 42 FF PROI CW	1	EA	
18	009575-021	SKIN, ASM, SXS 42 FF PROI SA	1	EA	
18	009575-022	SKIN, ASM, SXS 42 FF PROI SE	1	EA	
18	009575-023	SKIN, ASM, SXS 42 FF PROI IB	1	EA	
18	009575-024	SKIN, ASM, SXS 42 FF PROI AR	1	EA	
18	009575-025	SKIN, ASM, SXS 42 FF PROI RR	1	EA	
18	009575-051	SKIN, ASM, SXS 42 FF PROI CN	1	EA	Not available online / Call for pricing and availability



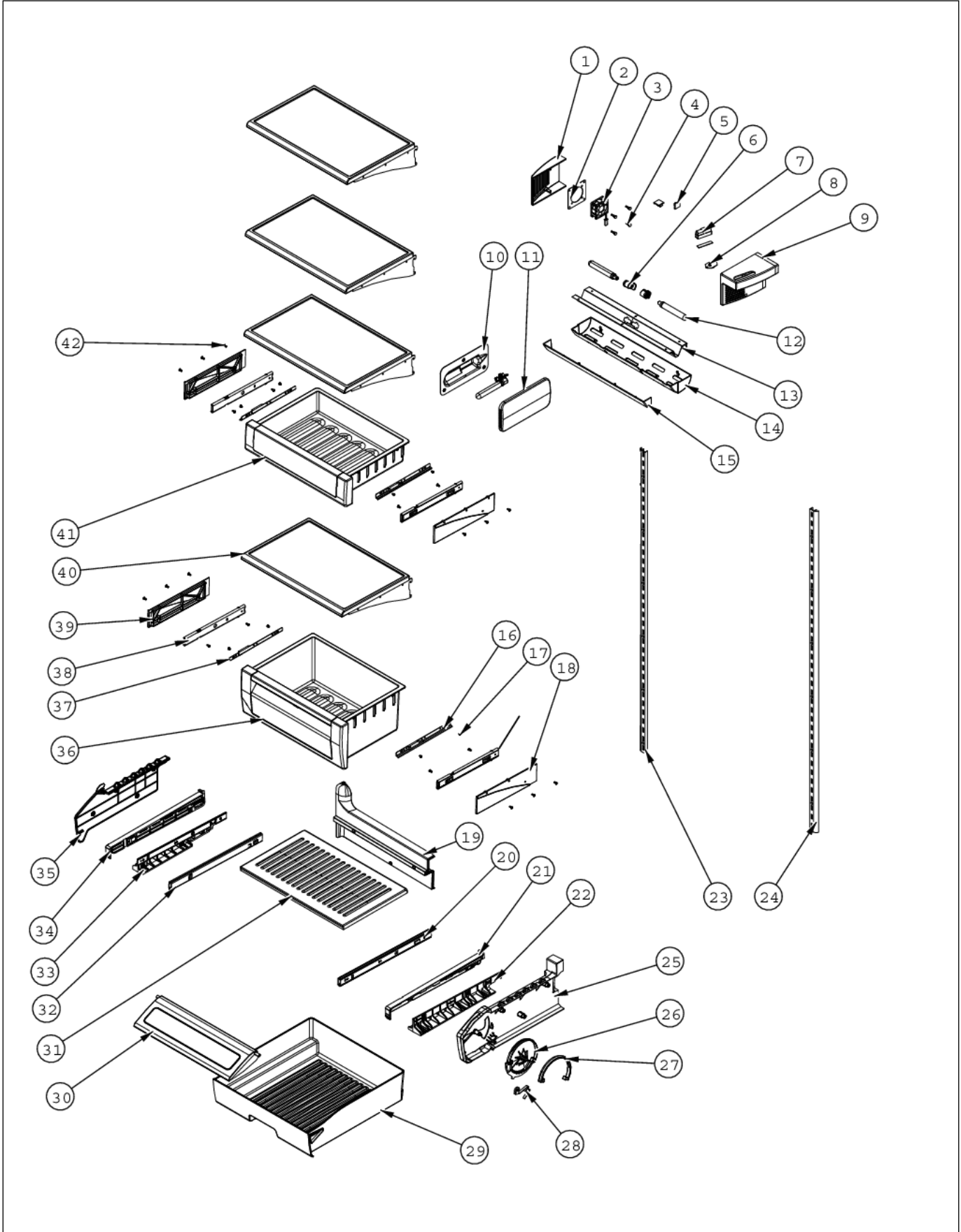
Item	Part No.	Name	Qty	Uom	NOTES
18	009575-052	SKIN, ASM, SXS 42 FF PROI DJ	1	EA	Not available online / Call for pricing and availability
18	009575-053	SKIN, ASM, SXS 42 FF PROI KB	1	EA	Not available online / Call for pricing and availability
18	009575-054	SKIN, ASM, SXS 42 FF PROI WS	1	EA	Not available online / Call for pricing and availability
18	010586-100	SKIN, ASM, SXS 42 FF PROI SS/BR	1	EA	
18	009575-102	SKIN, ASM, SXS 42 FF PROI BK/BR	1	EA	
18	009575-103	SKIN, ASM, SXS 42 FF PROI BT/BR	1	EA	
18	009575-104	SKIN, ASM, SXS 42 FF PROI SG/BR	1	EA	
18	009575-105	SKIN, ASM, SXS 42 FF PROI GG/BR	1	EA	
18	009575-108	SKIN, ASM, SXS 42 FF PROI BU/BR	1	EA	
18	009575-109	SKIN, ASM, SXS 42 FF PROI LE/BR	1	EA	
18	009575-110	SKIN, ASM, SXS 42 FF PROI MJ/BR	1	EA	
18	009575-112	SKIN, ASM, SXS 42 FF PROI VB/BR	1	EA	
18	009575-113	SKIN, ASM, SXS 42 FF PROI CB/BR	1	EA	
18	009575-115	SKIN, ASM, SXS 42 FF PROI PL/BR	1	EA	
18	009575-116	SKIN, ASM, SXS 42 FF PROI CH/BR	1	EA	
18	009575-117	SKIN, ASM, SXS 42 FF PROI TP/BR	1	EA	
18	009575-118	SKIN, ASM, SXS 42 FF PROI CW/BR	1	EA	
18	009575-121	SKIN, ASM, SXS 42 FF PROI SA/BR	1	EA	
18	009575-122	SKIN, ASM, SXS 42 FF PROI SE/BR	1	EA	
18	009575-123	SKIN, ASM, SXS 42 FF PROI IB/BR	1	EA	





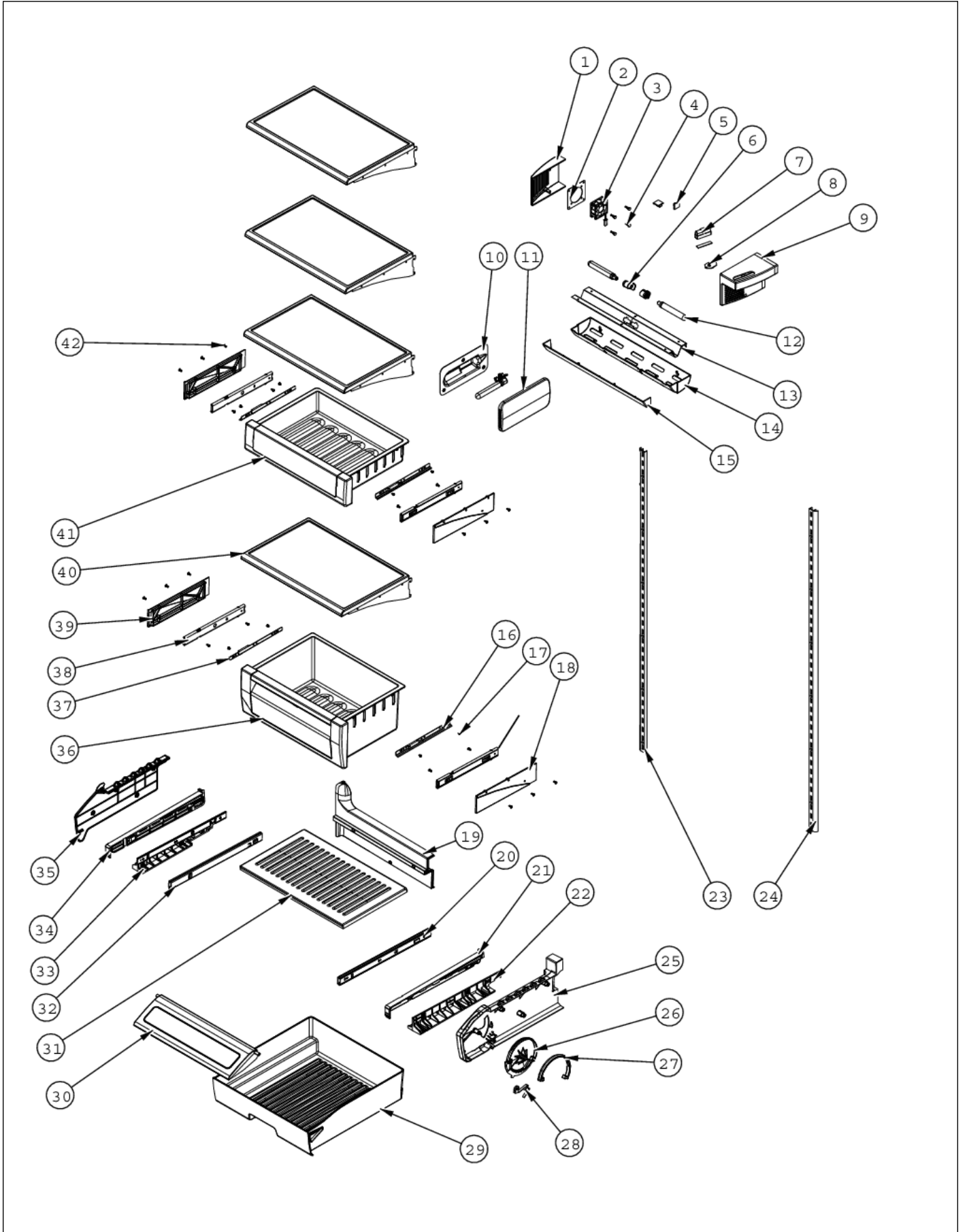
Item	Part No.	Name	Qty	Uom	NOTES
18	009575-124	SKIN, ASM, SXS 42 FF PROI AR/BR	1	EA	
18	009575-125	SKIN, ASM, SXS 42 FF PROI RR/BR	1	EA	
18	009575-151	SKIN, ASM, SXS 42 FF PROI CN/BR	1	EA	Not available online / Call for pricing and availability
18	009575-152	SKIN, ASM, SXS 42 FF PROI DJ/BR	1	EA	Not available online / Call for pricing and availability
18	009575-153	SKIN, ASM, SXS 42 FF PROI KB/BR	1	EA	Not available online / Call for pricing and availability
18	009575-154	SKIN, ASM, SXS 42 FF PROI WS/BR	1	EA	Not available online / Call for pricing and availability

FF INTERIOR





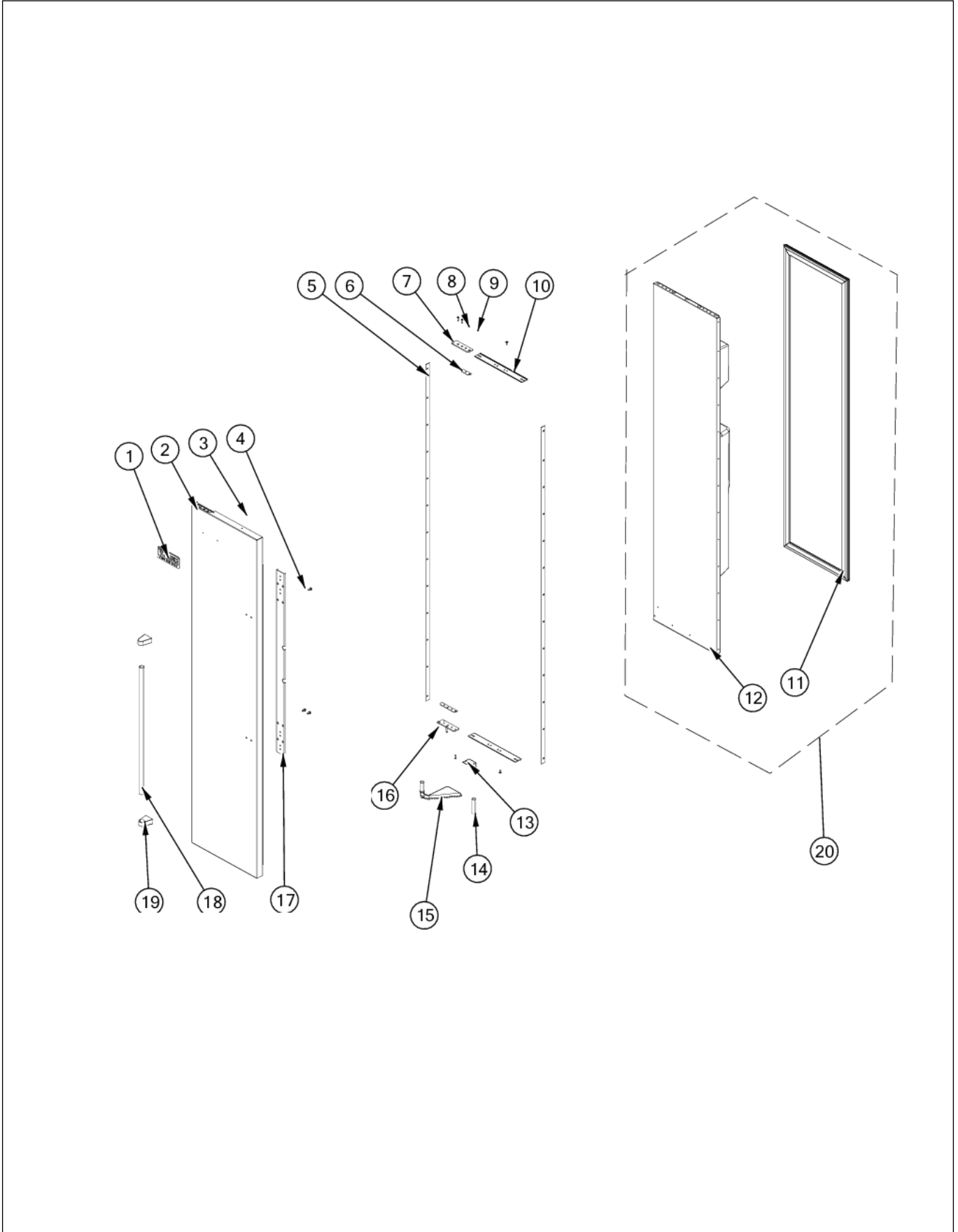
Item	Part No.	Name	Qty	Uom	NOTES
1	PK930086	COVER FAN SXS 48 FZ	1	EA	
2	007302-000	BRACKET,FAN	1	EA	
3	004551-000	AXIAL FAN	1	EA	
Comments for Part Num. 004551-000					
gboltz@VikingRange.com on Jul 21, 2016					
View service bulletin TR-0052-SP before ordering fan, if applicable order kit instead of fan					
4	007301-000	GROMMET,RUBBER	4	EA	
5	M0104106	CLIP-CORD VM0104106	1	EA	
6	PE950125	LIGHT SOCKET	3	EA	
7	010093-000	PLASMA CLUSTER	1	EA	
8	C8983701	THERMISTOR	1	EA	
9	012312-000	FAN COVER SXS	1	EA	
10	10270203	HOUSING-LIGHT V10270203	2	EA	
11	PK930346	COVER LIGHT	2	EA	
12	004528-000	LAMP, 40 WATT CLEAR LIGHT	3	EA	
13	L2099474	BRACKET LIGHT SXS 42 FF	1	EA	Not available online / Call for pricing and availability
14	020118-000	COVER LIGHT LENS SXS 42 FF	1	EA	
15	020119-000	COVER LIGHT SXS 42 FF	1	EA	
16	PM910343	RAIL DRAWER R	2	EA	
17	PD920162	SCR 8-16 PLASTITE PNP 1/4 S	8	EA	
18	044214-000	SUPPORT SLIDER R	2	EA	
19	PK930171	DUCT MEAT SAVOR SXS 42 REAR	1	EA	
20	PM910287	SLIDE MEAT SAVOR R	1	EA	
21	PK930175	SUPPORT DRAWER MEAT SAVOR SXS 42/48 R	1	EA	
22	PK930173	SUPPORT SLIDE MEAT SAVOR SXS 42/48 R	1	EA	
23	PK020080	LADDER FF L SXS 42/48	1	EA	Not available online / Call for pricing and availability
24	PK920024	LADDER FF R	1	EA	





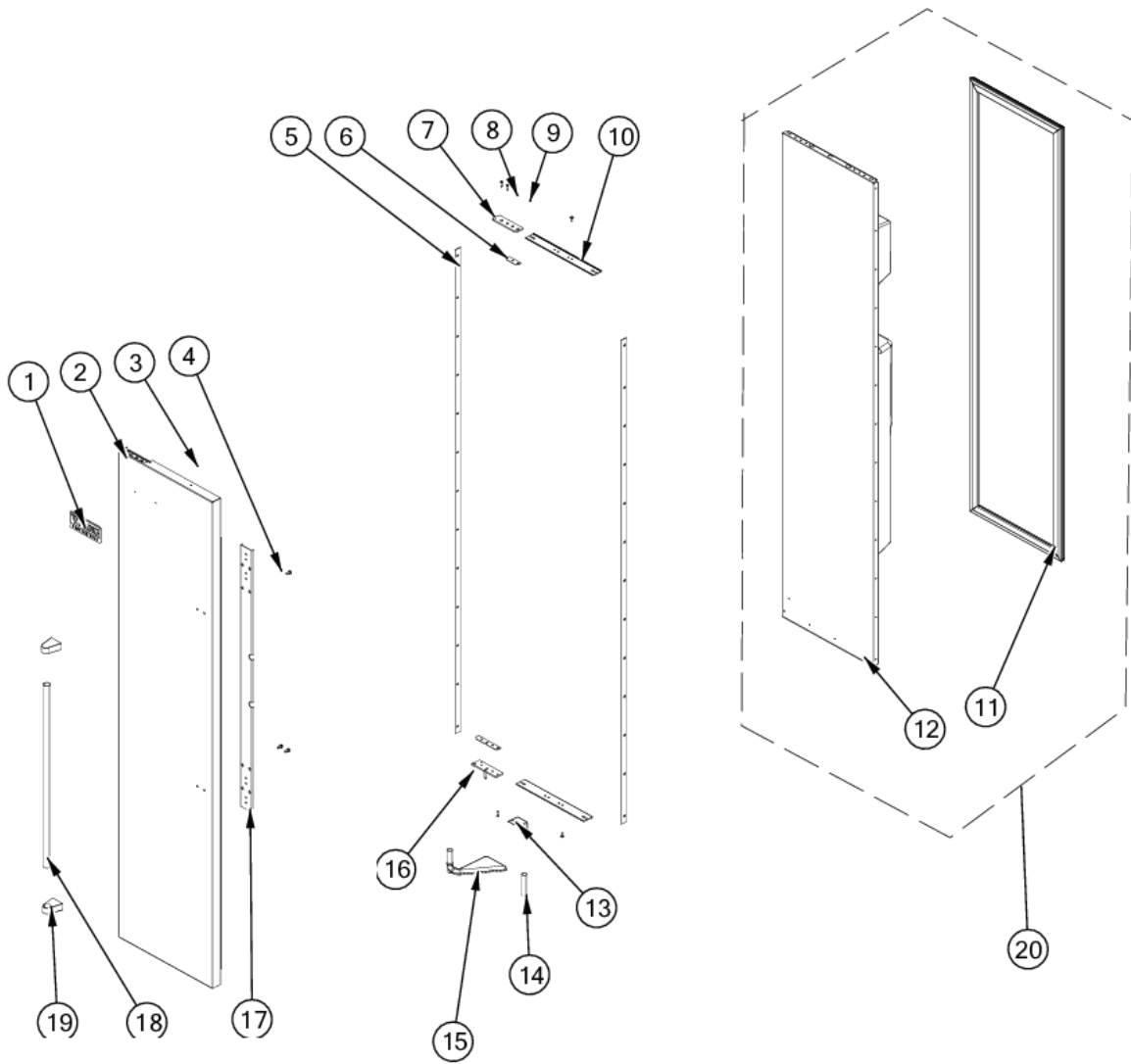
Item	Part No.	Name	Qty	Uom	NOTES
25	044232-000	DUCT MEAT SAVOR (R)	1	EA	
26	044384-000	DIAL CONTROL MEAT SAVOR	1	EA	
27	PK930172	COVER CONTROL MEAT SAVOR	1	EA	
28	PM910334	ROLLER TENSION	1	EA	
29	PK930114	DRAWER MEAT SAVOR SXS 42	1	EA	
30	045689-000	DOOR MEATSAVOR ASM SXS 42	1	EA	
31	PK930120	SHELF MEAT SAVOR SXS 42	1	EA	
32	PM910288	SLIDE MEAT SAVOR L	1	EA	
<p>Comments for Part Num. PM910288</p> <p>profixappliances@gmail.com on May 3, 2017</p> <p>ITEM # 5 SHOULD BE PK930288-DOOR MEATSAVOR ASM AR/BM 36</p>					
33	PK930174	SUPPORT SLIDE MEAT SAVOR SXS 42/48 L	1	EA	
34	PK930176	SUPPORT DRAWER MEAT SAVOR 42/48 L	1	EA	
35	PK930170	DUCT MEAT SAVOR SXS 42 L	1	EA	
36	009927-000	PRODUCE 42	1	EA	
37	PM910342	RAIL DRAWER L	2	EA	
38	046255-000	SLIDE, DWR, SOFT CLOSE, LH	2	EA	
39	044219-000	SUPPORT SLIDER L	2	EA	
40	043623-000	SHELF ASM GLASS 42 FF	4	EA	
41	PK930121	DRAWER DELI ASM SXS 42	1	EA	
42	PD920161	SCR 8-16 PLASTITE PNP 3/8 S	20	EA	
43	046235-000	SLIDE, DWR, SOFT CLOSE-RH	2	EA	

FZ DOOR ASSY

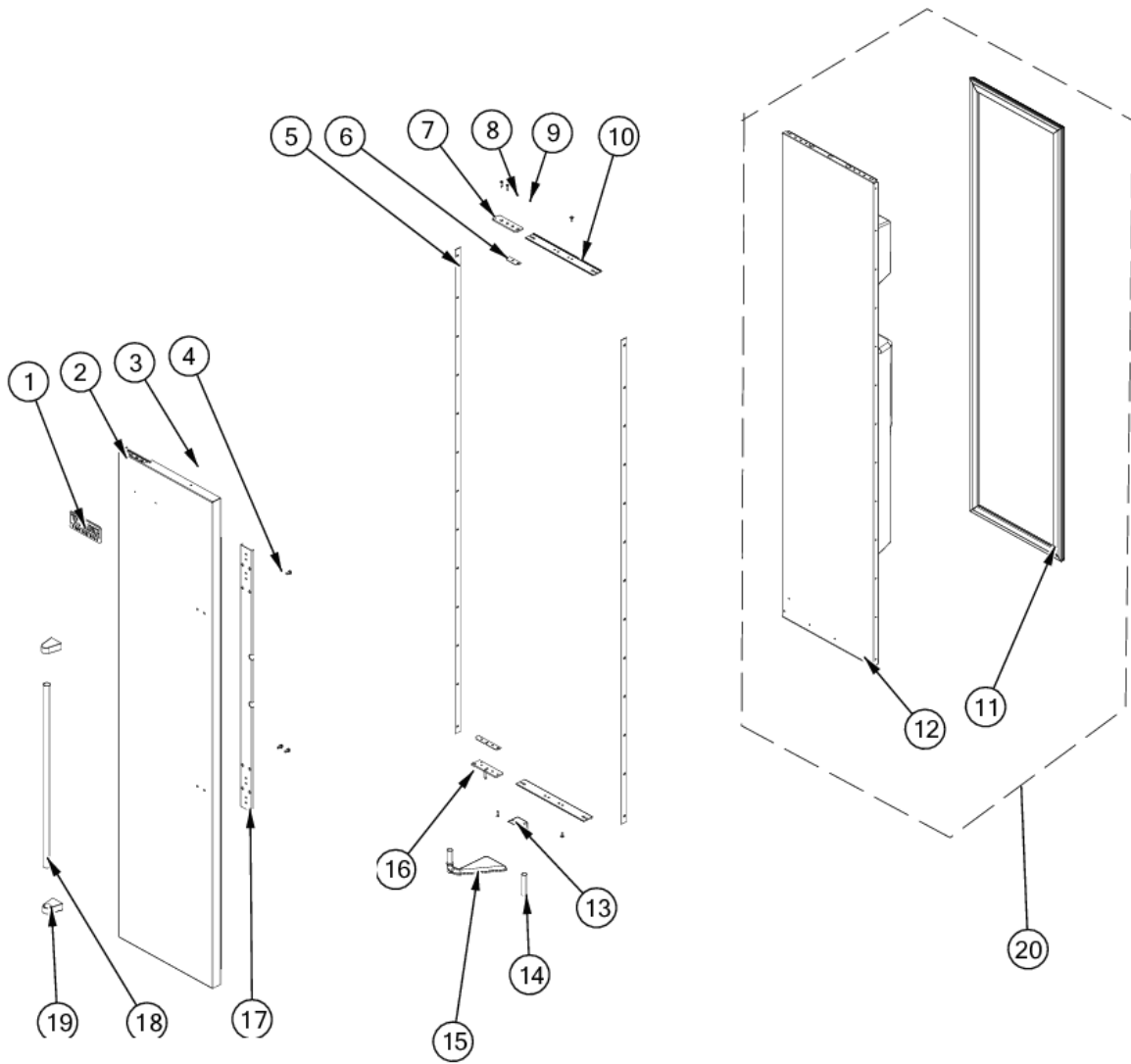




Item	Part No.	Name	Qty	Uom	NOTES
1	PE010030	LOGO	1	EA	
1	PE010068	LOGO 6" (VGRC) BK/BR	1	EA	
2	010601-000	SKIN, DOOR, SXS 42 PROI FZ SS	1	EA	
2	036347-002	SKIN, DOOR, SXS 42 PROI FZ BK	1	EA	
2	036347-003	SKIN, DOOR, SXS 42 PROI FZ BT	1	EA	Not available online / Call for pricing and availability
2	036347-004	SKIN, DOOR, SXS 42 PROI FZ SG	1	EA	Not available online / Call for pricing and availability
2	036347-005	SKIN, DOOR, SXS 42 PROI FZ GG	1	EA	
2	036347-008	SKIN, DOOR, SXS 42 PROI FZ BU	1	EA	Not available online / Call for pricing and availability
2	036347-009	SKIN, DOOR, SXS 42 PROI FZ LE	1	EA	Not available online / Call for pricing and availability
2	036347-010	SKIN, DOOR, SXS 42 PROI FZ MJ	1	EA	Not available online / Call for pricing and availability
2	036347-012	SKIN, DOOR, SXS 42 PROI FZ VB	1	EA	Not available online / Call for pricing and availability
2	036347-013	SKIN, DOOR, SXS 42 PROI FZ CB	1	EA	Not available online / Call for pricing and availability
2	036347-015	SKIN, DOOR, SXS 42 PROI FZ PL	1	EA	Not available online / Call for pricing and availability
2	036347-016	SKIN, DOOR, SXS 42 PROI FZ CH	1	EA	Not available online / Call for pricing and availability
2	036347-017	SKIN, DOOR, SXS 42 PROI FZ TP	1	EA	Not available online / Call for pricing and availability



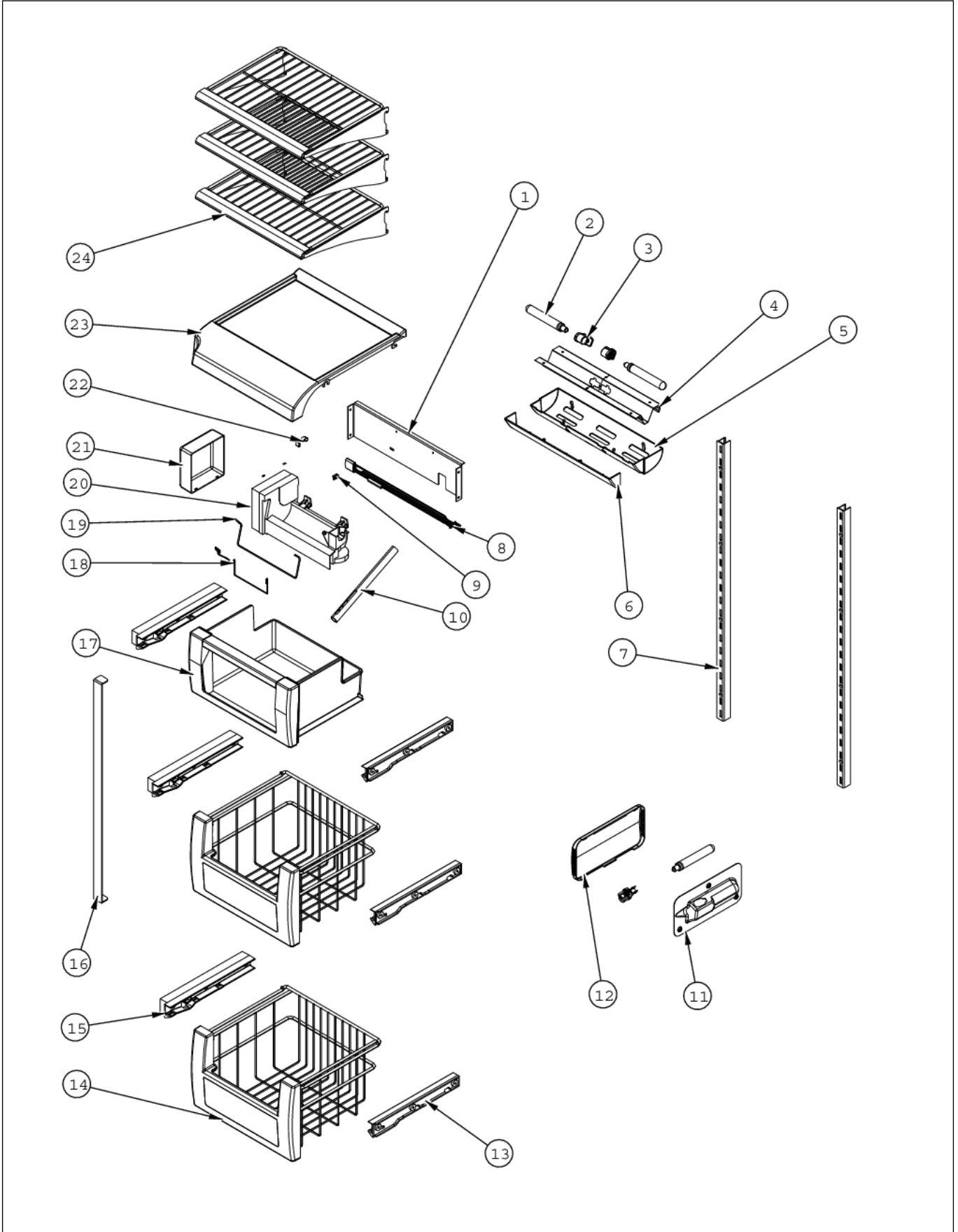
Item	Part No.	Name	Qty	Uom	NOTES
2	036347-018	SKIN, DOOR, SXS 42 PROI FZ CW	1	EA	Not available online / Call for pricing and availability
2	036347-021	SKIN, DOOR, SXS 42 PROI FZ SA	1	EA	Not available online / Call for pricing and availability
2	036347-022	SKIN, DOOR, SXS 42 PROI FZ SE	1	EA	Not available online / Call for pricing and availability
2	036347-023	SKIN, DOOR, SXS 42 PROI FZ IB	1	EA	Not available online / Call for pricing and availability
2	036347-024	SKIN, DOOR, SXS 42 PROI FZ AR	1	EA	Not available online / Call for pricing and availability
2	036347-025	SKIN, DOOR, SXS 42 PROI FZ RR	1	EA	Not available online / Call for pricing and availability
2	036347-051	SKIN, DOOR, SXS 42 PROI FZ CN	1	EA	Not available online / Call for pricing and availability
2	036347-052	SKIN, DOOR, SXS 42 PROI FZ DJ	1	EA	Not available online / Call for pricing and availability
2	036347-053	SKIN, DOOR, SXS 42 PROI FZ KB	1	EA	Not available online / Call for pricing and availability
2	036347-054	SKIN, DOOR, SXS 42 PROI FZ WS	1	EA	Not available online / Call for pricing and availability
3	PD030006	CAPPED WASHER PAL NUT	2	EA	
4	M0204303	SCREW-MACH	4	EA	
5	014581-000	SPACER, TRIM, SXS, AF, AR	2	EA	
6	PD040162	SPACER-DOOR HINGE	2	EA	
7	033780-000	PIVOT PLATE ASM LH UP PRO DES SXS, AFAR	1	EA	
8	PD920174	10X7/8 PHILLIPS SMA TRI LOBE SA	8	EA	
9	M0210458	SCR 8-18 X 5/8 WAFER PH SMS	5	EA	





Item	Part No.	Name	Qty	Uom	NOTES
10	056647-000	TRIM, FRZ, TOP/BTM, 42	2	EA	
11	005452-000	GASKET,ASM,42,SXS,FZ VID# 602711817-17	1	EA	
12	007519-000	DOOR FOAM ASM SXS 42 FZ	1	EA	
13	PD050019	STRIKER DOOR SWITCH	1	EA	
14	PB020301	STEM ELBOW 1/4 V# PP220808W	1	EA	
15	PK930297	ELBOW CHASE SXS DISP	1	EA	
16	016182-000	PIVOT PL ASM LH LW PRO/DES	1	EA	
17	013328-000	BRKT,HANDLE,SUPPORT,PRO	1	EA	
18	012891-000	HANDLE,PRO	1	EA	
19	000268-000	HANDLE ENDCAP	2	EA	
19	000268-100	HANDLE END CAP ASSY - BR	2	EA	
20	007483-000	DOOR ASM SXS 42 FZ	1	EA	

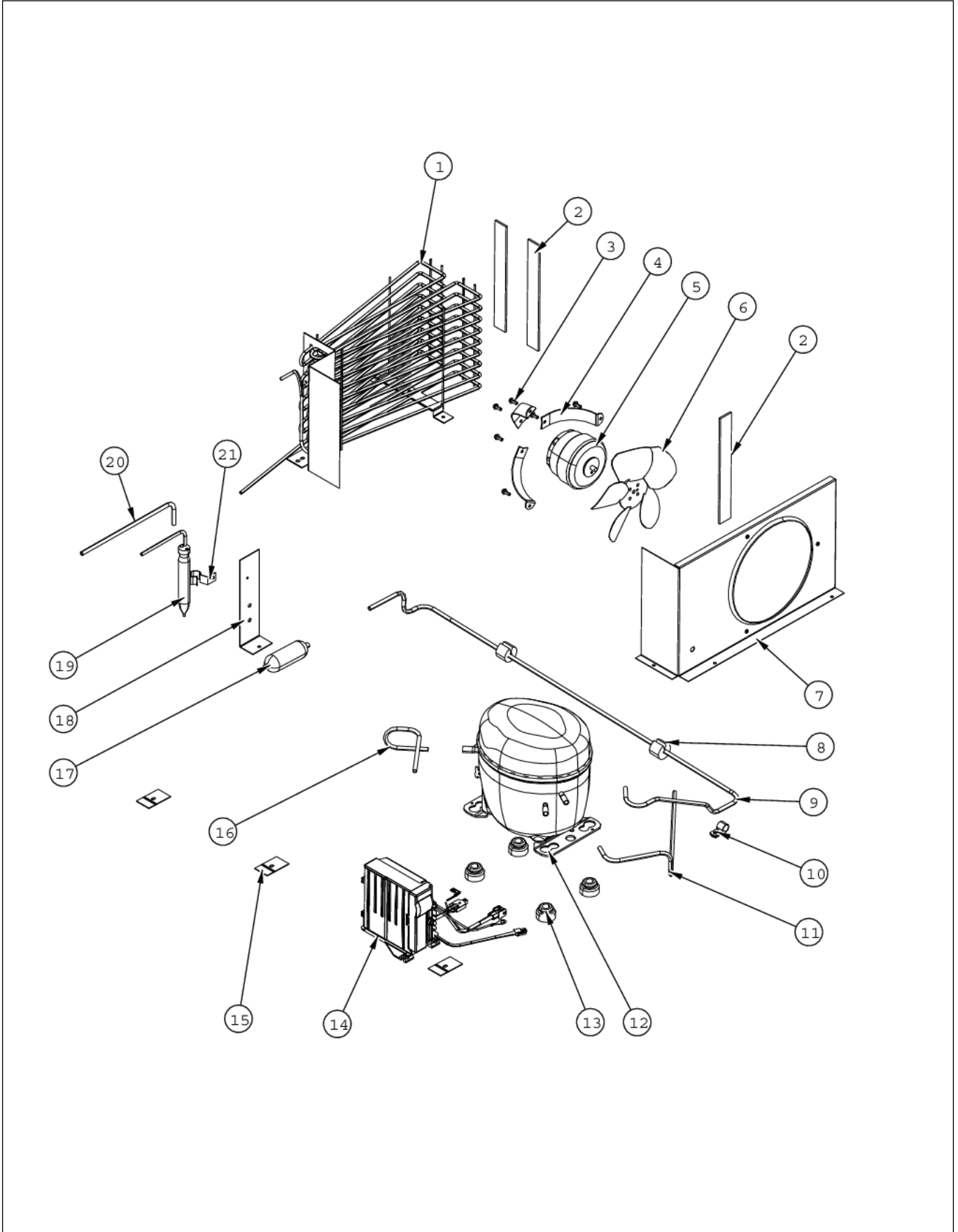
FZ INTERIOR





Item	Part No.	Name	Qty	Uom	NOTES
1	C9097183WH	SUPPORT IM ND SXS 48 WH	1	EA	
2	004528-000	LAMP, 40 WATT CLEAR LIGHT	6	EA	
3	PE950125	LIGHT SOCKET	3	EA	
4	L2099475	BRACKET LIGHT SXS FZ	1	EA	
5	020115-000	COVER LIGHT LENS SXS 42 FZ	1	EA	
6	020116-000	COVER LIGHT SXS 42 FZ	1	EA	
7	12231701	LADDER-FZ L/R SIDE 42/48	2	EA	
8	023112-000	HARNES,ICE MAKER	1	EA	
9	PD030155	CLIP-IM FILL CUP	1	EA	
10	013928-000	FILL TUBE AF/SXS ND	1	EA	
11	10270203	HOUSING-LIGHT V10270203	1	EA	
12	PK930346	COVER LIGHT	1	EA	
13	PK930074	GLIDE SXS 48 FZ R	3	EA	
14	PM910190	BASKET ASM FZ	2	EA	
15	PK930075	GLIDE SXS 48 FZ L	3	EA	
16	PK930073	CLOSEOUT SIDE SXS 48 FZ L	1	EA	
17	PK930076	ICE PAN ASM SXS 48	1	EA	
18	007082-000	WIRE, IM SHUTOFF	1	EA	
19	002329-000	ARM, IM SHUTOFF	1	EA	
20	002252-000	ICE MAKER	1	EA	
21	PM010542	ICE MAKER COVER	1	EA	
22	10526701	CLAMP-WIRE V10526701	1	EA	
23	PK930079	SHELF COVER SXS 48 FZ	1	EA	
24	PM910411	SHELF WIRE AF 36	3	EA	

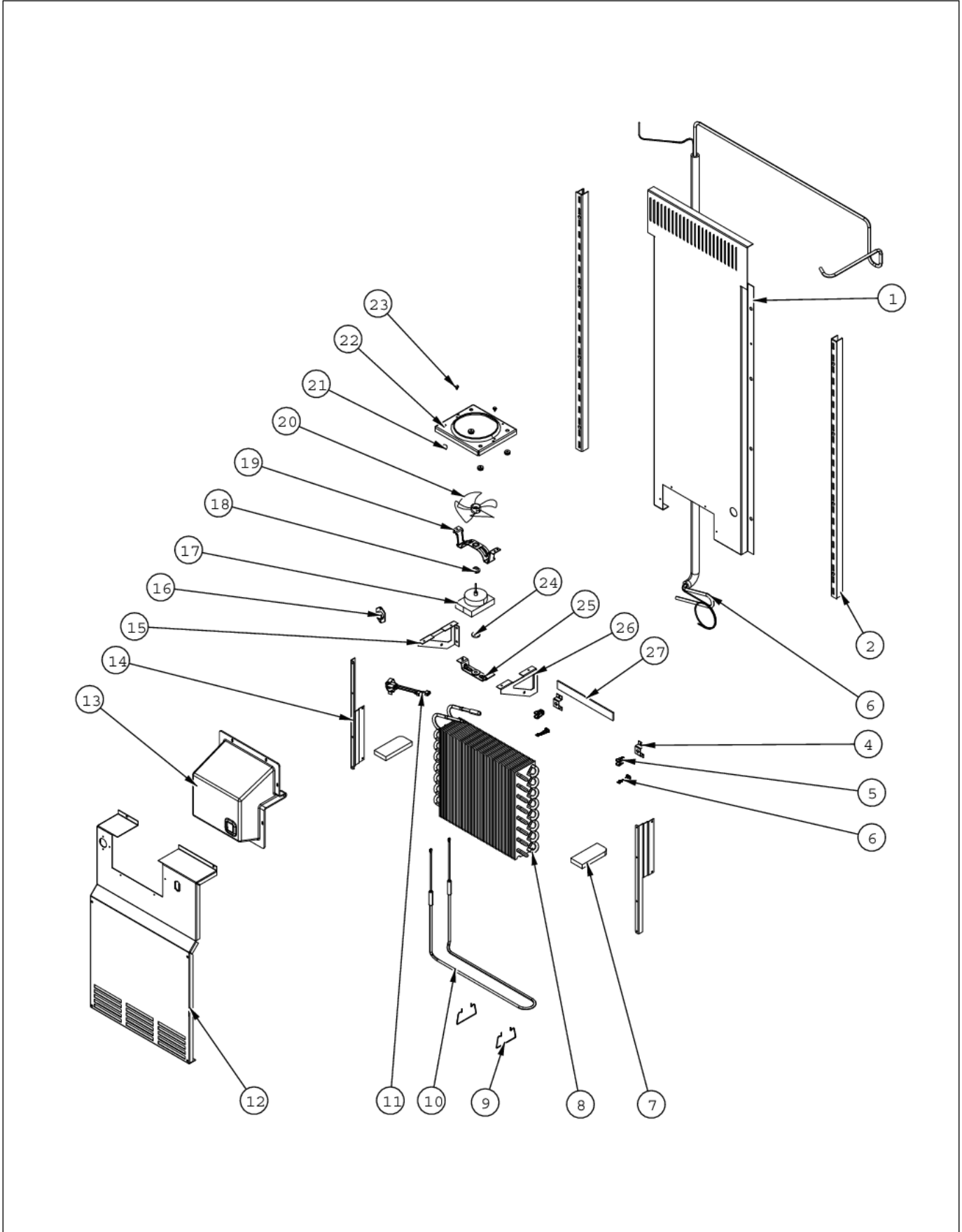
HI SIDE ASSY





Item	Part No.	Name	Qty	Uom	NOTES
1	PB920171	CONDENSER ASM	1	EA	
2	A3189370	GASKET-FOAM VA3189370	3	EA	
3	M0220417	SCREW-TC	6	EA	
4	10582501	BRKT-COND MTR V10582501	3	EA	
5	10522103	MOTOR-PSC V10522103	1	EA	
6	B5742603	BLADE-FAN	1	EA	
7	PM010604	SHROUD COND FAN	1	EA	
8	10699601	DAMPER-TUBING .8	2	EA	
9	F2096504	TUBE-DRIER EXT	1	EA	
10	PD030118	INSULATED CLAMP	1	EA	
11	F2099444	TUBE DISCHARGE FORMED POST ACCUM	1	EA	
12	PM010619	COMPRESSOR VCC AF	1	EA	
13	10835901	GROMMET RUBBER V10835901	4	EA	
14	011666-000	INVERTER,CMPR,ASM	1	EA	
<p>Comments for Part Num. 011666-000</p> <p>gboltz@VikingRange.com on Aug 9, 2018</p> <p>See 2018-01P Parts Bulletin</p>					
15	K2096943	PANEL BRACKET	3	EA	
16	F2096507	TUBE-PROCESS GRN	1	EA	
17	PB920201	ACCUMULATOR	1	EA	
18	K2099454	BRACKET DRIER	1	EA	
19	PM010616	DRIER - HIGH SIDE	1	EA	
20	F2097740	TUBE PROCESS	1	EA	
21	10547001	CLIP-DRIER V10547001	1	EA	
NI	PD020194	SCR, HEX SRTD WSHR HD, #8- 18 X 1/2	18	EA	

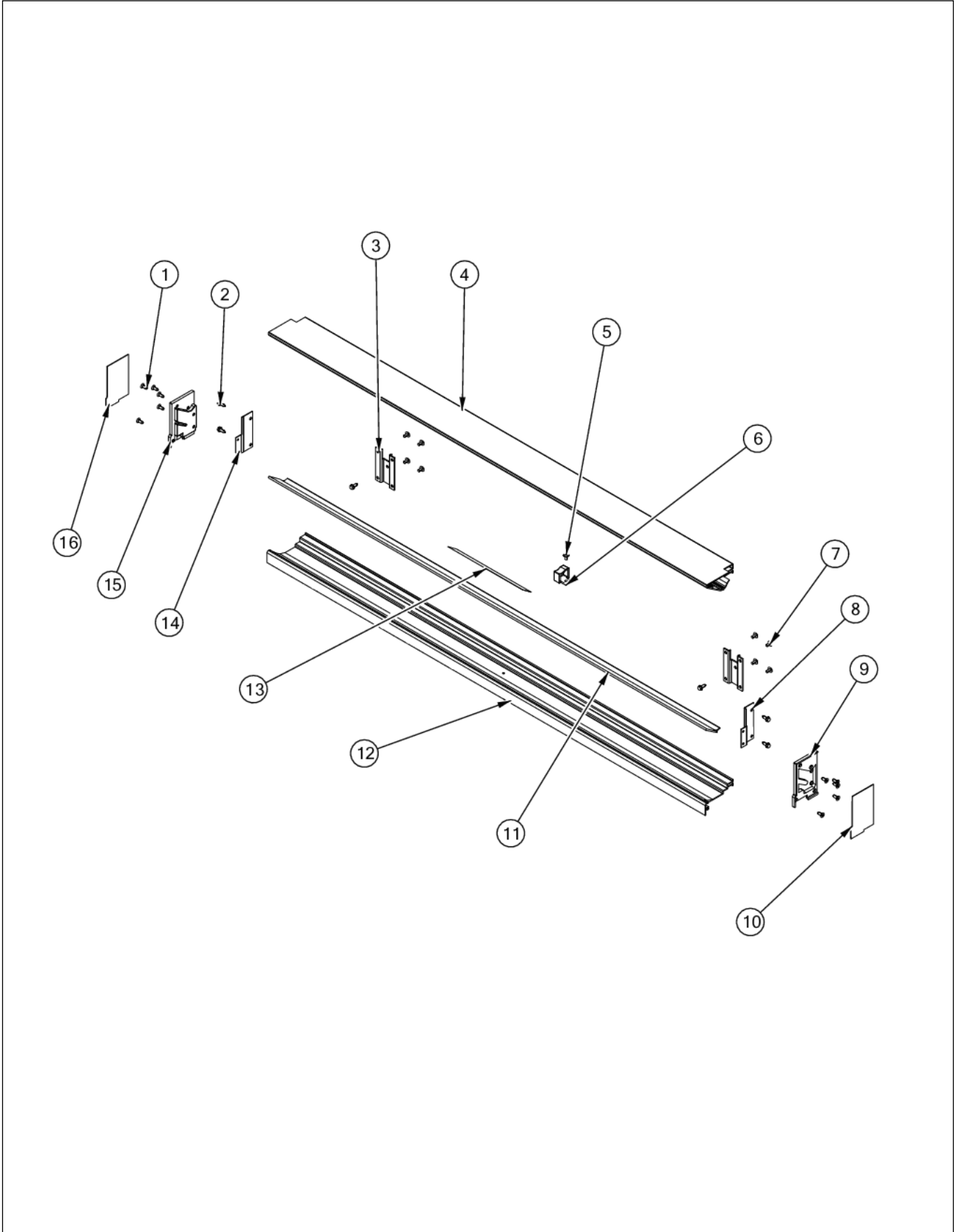
LOW SIDE ASSY





Item	Part No.	Name	Qty	Uom	NOTES
1	L2097181	COVER EVAP UPPER SXS 48	1	EA	
2	12231701	LADDER-FZ L/R SIDE 42/48	2	EA	
3	053308-000	HEAT EXCHANGER ASM SXS 42	1	EA	
4	K2096456	BRKT-EVAP CLIP 12215101	2	EA	
5	10623003	CLIP-EVAP	2	EA	
6	10527401	CLIP-EVAP	2	EA	
7	10629001	BLOCK-R AIR COIL RED	2	EA	
8	PM910206	EVAPORATOR SXS 48	1	EA	
9	10428101	CLIP-EVAP HTR V10428101	2	EA	
10	PJ910031	HEATER EVAP SXS	1	EA	
11	058966-000	THERMOSTAT, SNAP ACTION, 55 OPEN 20 CLOSE	1	EA	
12	L2097182	COVER EVAP LOWER SXS 48	1	EA	
13	PK930150	COVER CTR EVAP SXS	1	EA	
14	K2096461	BRKT-EVAP COVER 12234801	2	EA	
15	K2096458	BRKT-L-EVAP-FAN 12223102	1	EA	
16	C8983701	THERMISTOR	1	EA	
17	PE950133	MOTOR FAN EVAP PANASONIC	1	EA	
18	A1017202	GROMMET-FAN VA1017202	2	EA	
19	PM010605	BRACKET MTR/SHROUD	1	EA	
20	10855402	FAN-EVAP/4.330	1	EA	
21	12234001	GROMMET-VIBRATION	4	EA	
22	PM910169	SHROUD EVAP FAN	1	EA	
23	PD020193	SCR 8-18 X 3/8	4	EA	
24	PM910276	GROMMET FAN MOTOR	1	EA	Not available online / Call for pricing and availability
25	L2198650	BRACKET FAN EVAP VEN	1	EA	
26	K2096457	BRKT-R-EVAP FAN 12223101	1	EA	
27	A3189370	GASKET-FOAM VA3189370	1	EA	

UPPER GRILLE





Item	Part No.	Name	Qty	Uom	NOTES
1	M0215318	SCREW-SM	10	EA	
2	PD020194	SCR, HEX SRTD WSHR HD, #8-18 X 1/2	6	EA	
3	PK050004	BRACKET GRILLE 5 SERIES	2	EA	
4	016196-000	GRILLE UPPER SXS 42 DES	1	EA	
5	M0230028	SCREW-TC	1	EA	
6	PM910084	SUPPORT GRILLE 12201201	1	EA	
7	M0224128	SCREW-SM	8	EA	
8	K2099470	BRACKET GRILLE SUPPORT R	1	EA	
9	PM910348	ENP CAP GRILLE R	1	EA	
10	033729-000	ENDCAP, GRILLE, R, HINGE	1	EA	
11	PM910305	GRILLE CENTER SXS 42 DES	1	EA	
12	016193-000	GRILLE LOWER SXS 42 DES	1	EA	
13	PF930523	GRILL BLADE LABEL (REFRIGERATOR)	1	EA	
14	K2099471	BRACKET GRILLE SUPPORT L	1	EA	
15	PM910349	END CAP GRILLE L	1	EA	
16	033709-000	ENDCAP, GRILLE, L, HINGE	1	EA	
17	034236-000	GRILLE, ASM, 42 SXS, PRO	1	EA	



Appendix A:Pages Index

CABINET BOTTOM ASSY 1
CABINET EXTERIOR 2
CONTROL PANEL ASSY 3
DOOR SHELVES 4
FF DOOR ASSY 5
FF INTERIOR 6
FZ DOOR ASSY 7
FZ INTERIOR 8
HI SIDE ASSY 9
LOW SIDE ASSY 10
UPPER GRILLE 11



Appendix B:Parts Index

000268-000	5, 7	009575-053	5
000268-100	5, 7	009575-054	5
002252-000	8	009575-102	5
002329-000	8	009575-103	5
003104-000	2	009575-104	5
004528-000	6, 8	009575-105	5
004551-000	1, 6	009575-108	5
004614-000	2	009575-109	5
005319-000	3	009575-110	5
005396-000	3	009575-112	5
005451-000	5	009575-113	5
005452-000	7	009575-115	5
007082-000	8	009575-116	5
007301-000	6	009575-117	5
007302-000	6	009575-118	5
007341-000	2	009575-121	5
007478-000	5	009575-122	5
007483-000	7	009575-123	5
007514-000	5	009575-124	5
007519-000	7	009575-125	5
009575-002	5	009575-151	5
009575-003	5	009575-152	5
009575-004	5	009575-153	5
009575-005	5	009575-154	5
009575-008	5	009927-000	6
009575-009	5	010093-000	6
009575-010	5	010586-000	5
009575-012	5	010586-100	5
009575-013	5	010601-000	7
009575-015	5	011666-000	9
009575-016	5	012312-000	6
009575-017	5	012891-000	5, 7
009575-018	5	013328-000	5, 7
009575-021	5	013928-000	8
009575-022	5	014190-000	3
009575-023	5	014334-000	1
009575-024	5	014519-000	3
009575-025	5	014581-000	5, 7
009575-051	5	015031-000	2
009575-052	5	015032-000	2
		015365-000	3



016181-000	5	036323-052	5
016182-000	7	036323-053	5
016193-000	11	036323-054	5
016196-000	11	036347-002	7
016270-000	3	036347-003	7
016527-000	3	036347-004	7
016928-000	3	036347-005	7
016930-000	3	036347-008	7
017695-000	3	036347-009	7
019244-000	4	036347-010	7
019993-000	3	036347-012	7
020115-000	8	036347-013	7
020116-000	8	036347-015	7
020118-000	6	036347-016	7
020119-000	6	036347-017	7
023112-000	8	036347-018	7
025433-000	3	036347-021	7
033709-000	11	036347-022	7
033729-000	11	036347-023	7
033780-000	7	036347-024	7
034236-000	11	036347-025	7
036308-000	5	036347-051	7
036323-002	5	036347-052	7
036323-003	5	036347-053	7
036323-004	5	036347-054	7
036323-005	5	036888-000	4
036323-008	5	036890-000	4
036323-009	5	043623-000	6
036323-010	5	044214-000	6
036323-012	5	044219-000	6
036323-013	5	044232-000	6
036323-015	5	044370-000	1
036323-016	5	044384-000	6
036323-017	5	044927-000	1
036323-018	5	045689-000	6
036323-021	5	046235-000	6
036323-022	5	046255-000	6
036323-023	5	053308-000	10
036323-024	5	056647-000	7
036323-025	5	056838-000	5
036323-051	5	058966-000	10



060890-000	1	K20915952	1
060891-000	1	K2096456	10
10270203	6, 8	K2096457	10
10428101	10	K2096458	10
10522103	9	K2096461	10
10526701	8	K2096943	9
10527401	10	K2098044	1
10547001	9	K2098096	1
10582501	9	K2099454	9
10623003	10	K2099455	2
10629001	10	K2099458	2
10699601	9	K2099460	2
10835901	9	K2099461	2
10855402	10	K2099470	11
10916507	3	K2099471	11
12064001	3	L2097181	10
12231701	8, 10	L2097182	10
12234001	10	L2099474	6
A1017202	10	L2099475	8
A3030361	3	L2198650	10
A3189370	9, 10	M0104106	3, 6
A4554806	1	M0204303	5, 7
A4554817	1, 3	M0210458	5, 7
B20915627	1	M0215318	11
B5742603	9	M0220417	9
C8983701	6, 10	M0224128	3, 11
C9097183WH	8	M0230028	11
F20915693	1	M0585504	3
F2096504	9	PA970012	1
F2096507	9	PB020301	7
F2097740	9	PB020304	1
F2099444	9	PB070355	2
G3298648	1	PB070360	2
G3298649	1	PB070361	2
G50911853	1	PB920171	9
G5096419	2	PB920201	9
K20911831	1	PC020278	5
K20913788	1	PC020288	1
K20915000	3	PC020289	1
K20915675	2	PC040010	3
K20915903	2	PC910015	1



PC920144	1	PK930075	8
PC920145	1	PK930076	8
PC920149	1	PK930079	8
PC920166	1	PK930086	6
PC920203	3	PK930114	6
PC920204	3	PK930120	6
PD020193	10	PK930121	6
PD020194	3, 9, 11	PK930123	4
PD020234	5	PK930150	10
PD030006	7	PK930170	6
PD030118	9	PK930171	6
PD030146	1	PK930172	6
PD030155	8	PK930173	6
PD040157	2	PK930174	6
PD040162	5, 7	PK930175	6
PD050019	5, 7	PK930176	6
PD920161	6	PK930297	7
PD920162	6	PK930346	6, 8
PD920174	5, 7	PK930348	1
PD940090	1	PM010542	8
PD940091	1	PM010604	9
PD940107	1	PM010605	10
PE010030	7	PM010616	9
PE010068	7	PM010619	9
PE050248	1	PM910084	11
PE950125	6, 8	PM910169	10
PE950133	10	PM910190	8
PE950146	1	PM910206	10
PE950149	3	PM910276	10
PE970464	3	PM910287	6
PE970609	3	PM910288	6
PF930487	3	PM910305	11
PF930523	11	PM910334	6
PF930672	3	PM910342	6
PJ910031	10	PM910343	6
PK020080	6	PM910348	11
PK050004	11	PM910349	11
PK910089	2	PM910411	8
PK920024	6		
PK930073	8		
PK930074	8		