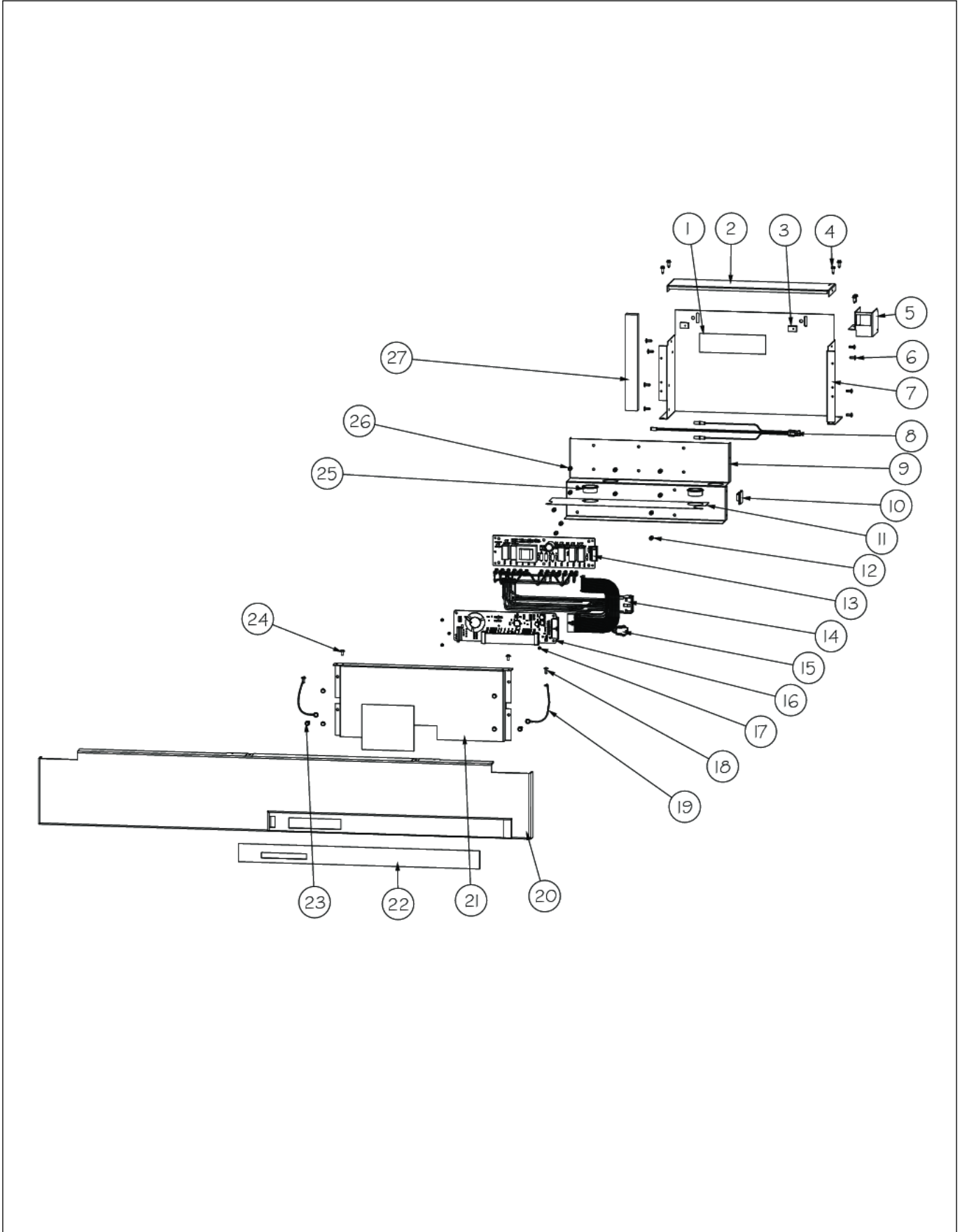


VCSB542

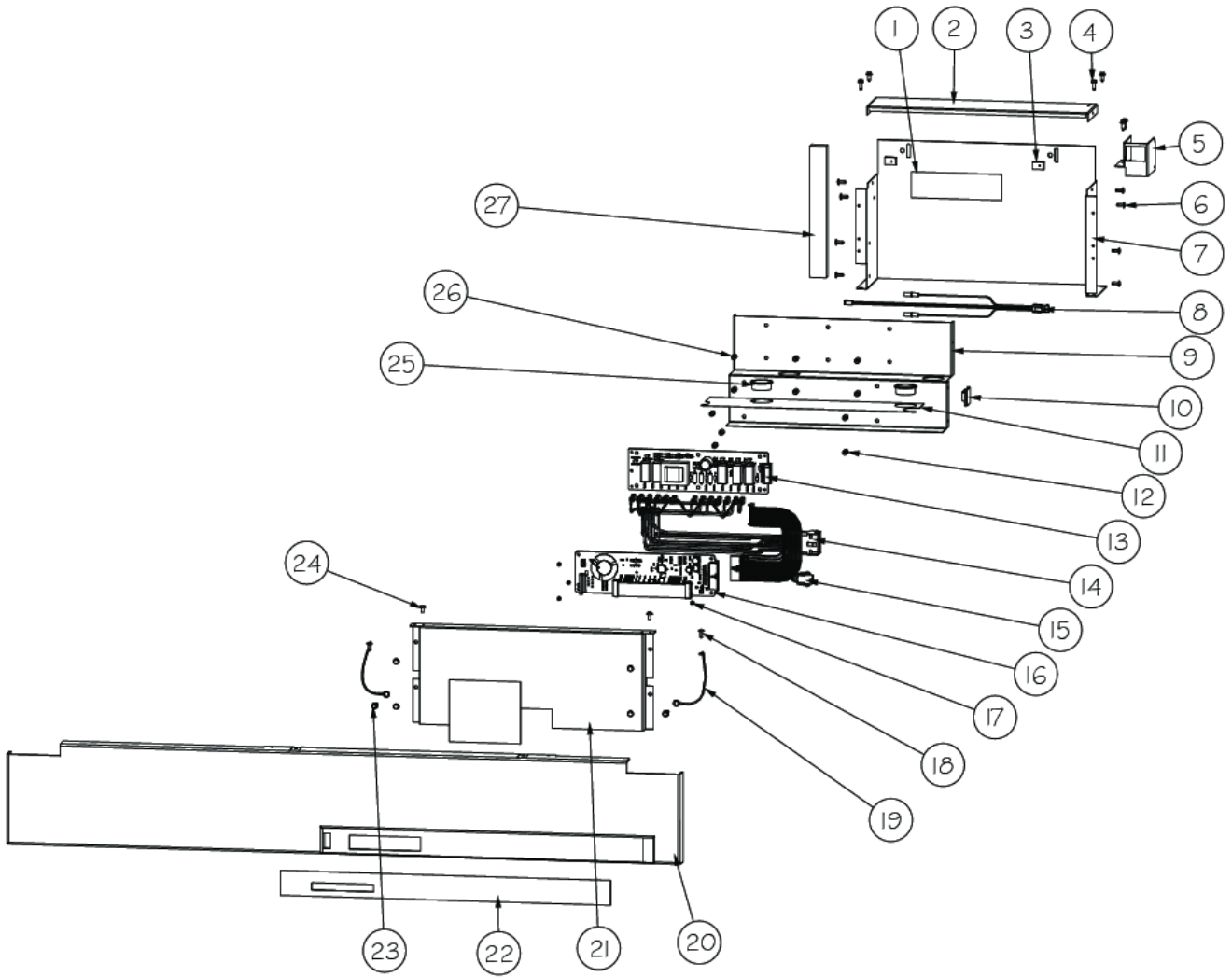
CONTROL ASSEMBLY	1
EXTERIOR ASSEMBLY	2
FREEZER DOOR ASSEMBLY	3
FREEZER INTERIOR ASSEMBLY	4
LOW SIDE ASSEMBLY	5
LOWER UNIT ASSEMBLY	6
MC COVER AND GRILLE ASSEMBLY	7
REFRIG DOOR ASSEMBLY	8
REFRIG INTERIOR ASSEMBLY	9
SEALED SYSTEM ASSEMBLY	10
Appendix A:Pages Index	A
Appendix B:Parts Index	B

CONTROL ASSEMBLY





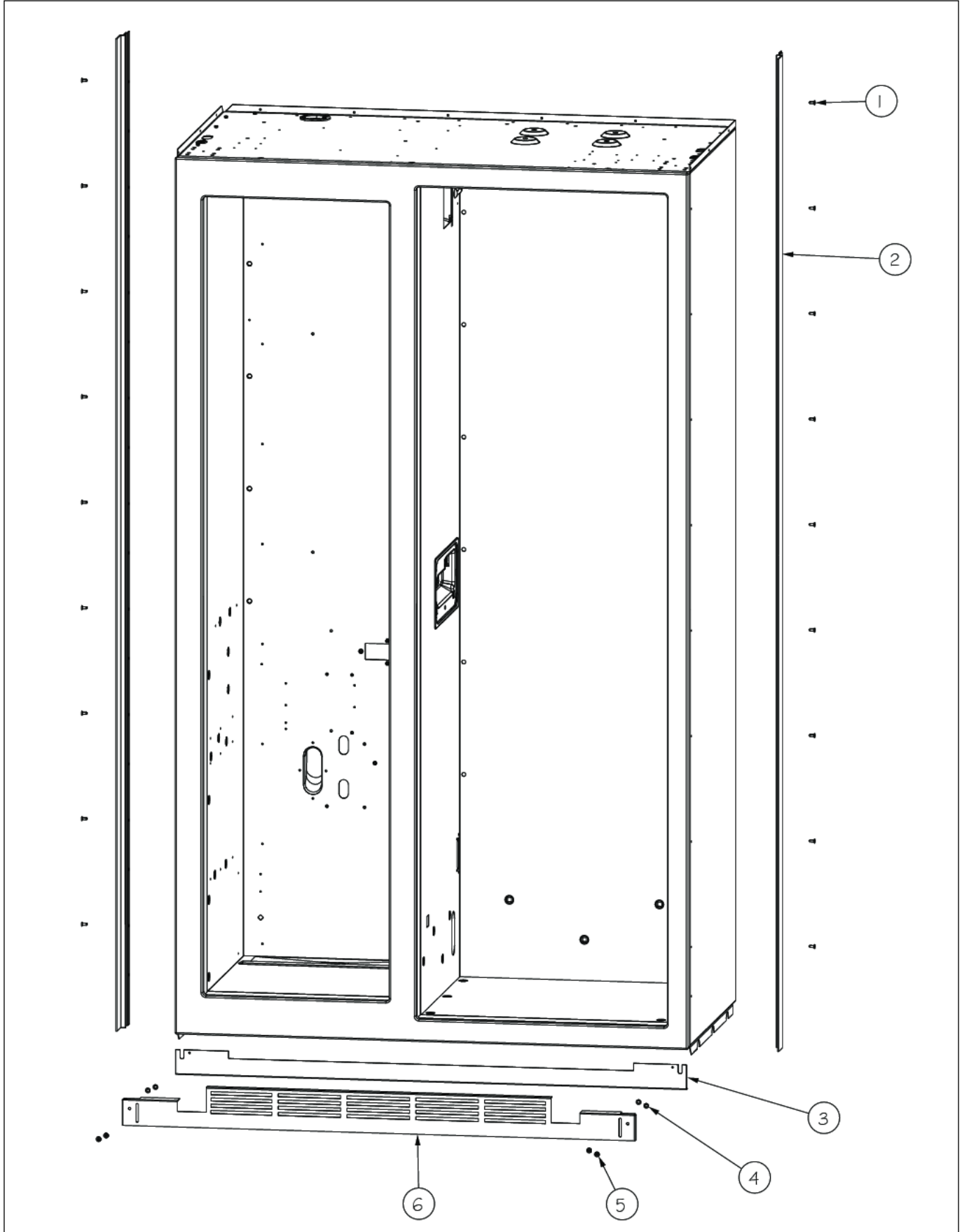
Item	Part No.	Name	Qty	Uom	NOTES
1	PF930672	LABEL DC COMPRESSOR	2	EA	
2	K20915000	CONTROL BOX TOP	1	EA	
3	M0288120	NUT-SPEED VM0288120	2	EA	
4	PD020194	SCR, HEX SRTD WSHR HD, #8-18 X 1/2	10	EA	
5	K2098654	Bracket, Power Switch	1	EA	
6	PC040010	POP RIVET (.063/GR -.125) GAMD42-A	8	EA	
7	K2099402	CONTROL BOX	1	EA	
8	PE970609	HARNESS CONTROL BOARD 5 SERIES	1	EA	
9	K20910060	BRACKET - PC	1	EA	
10	M0104106	CLIP-CORD VM0104106	1	EA	
11	005396-000	FILM,PROTECTIVE	1	EA	
12	M0585506	SUPPORT	5	EA	
13	005319-000	POWER CONTROL BOARD ASM 5 SERIES	1	EA	
<p>Comments for Part Num. 005319-000</p> <p>boltz on Apr 12, 2018 See TR-0056-SP Bulletin</p>					
14	015365-000	HARNESS HIGH VOLT	1	EA	
15	PE970464	HARNESS LOW VOLT 5 SERIES	1	EA	
16	PE070728	BOARD LOW VOLTAGE	1	EA	
<p>Comments for Part Num. PE070728</p> <p>bradleysapplianceservice@shaw.ca on Apr 27, 2016 COULD ALSO USE: 002670-000 LOW VOLTAGE BOARD KIT ANALOG - INCLUDES WIRE HARNESS</p>					
17	PD020013	TYPE "AB" #6 X 3/8 PH PAN HD. SMS	5	EA	
18	PC040010	POP RIVET (.063/GR -.125) GAMD42-A	1	EA	
19	12064001	SUPP-CONT PANEL	2	EA	
20	PK930230	Control Panel	1	EA	
21	K20910061	CONTROL BOX FRONT	1	EA	
22	010492-000	OVERLAY SWITCH SXS 42	1	EA	





Item	Part No.	Name	Qty	Uom	NOTES
23	M0238846	SCREW-SHLDR	2	EA	
24	M0224128	SCREW-SM	2	EA	
25	A4554817	BUSHING-SNAP VA4554817	2	EA	
26	M0585504	SUPPORT	6	EA	
27	A3030361	GASKET RED	1	EA	

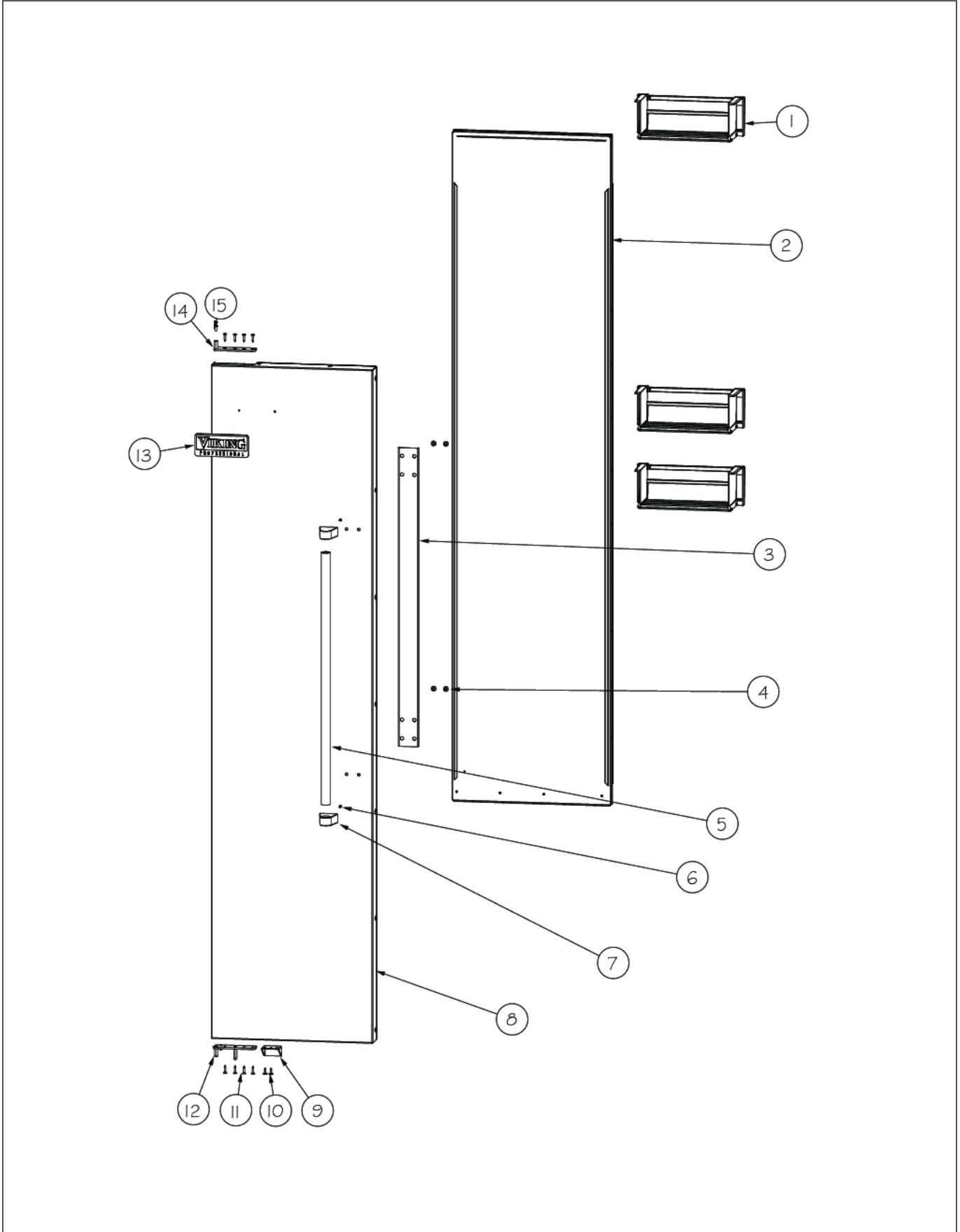
EXTERIOR ASSEMBLY



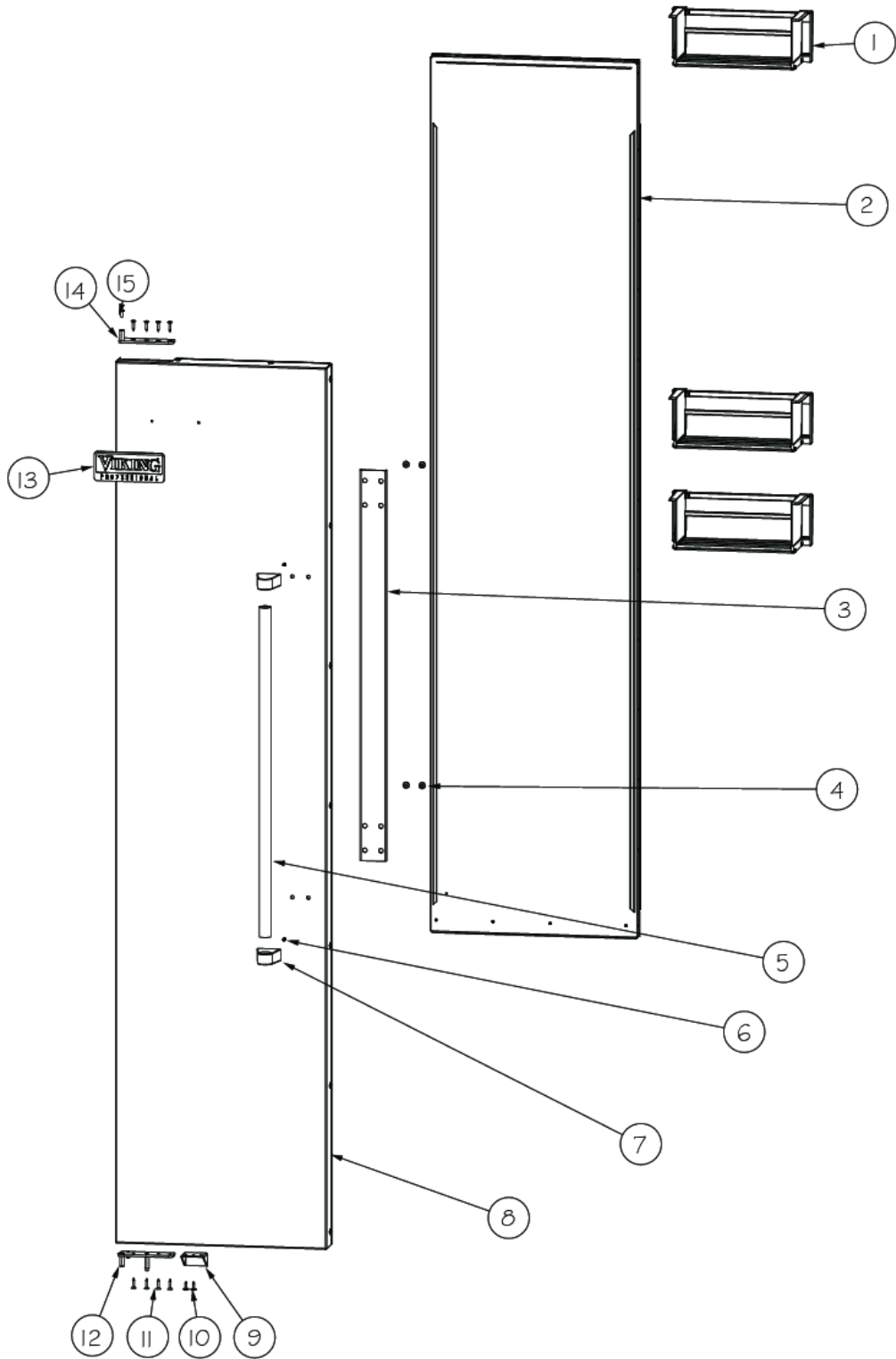


Item	Part No.	Name	Qty	Uom	NOTES
1	M0215318	SCREW-SM	18	EA	
2	PK910123	SIDE TRIM - PRO	2	EA	
3	000207-002	KICKPLATE, LWR	1	EA	
4	40370P01	NYLON FLAT WASHER V40370P01	4	EA	
5	M0210443	SCREW-E SM VM0210443	4	EA	
6	C9097789BK	GRILLE TOE VENTED BK	1	EA	

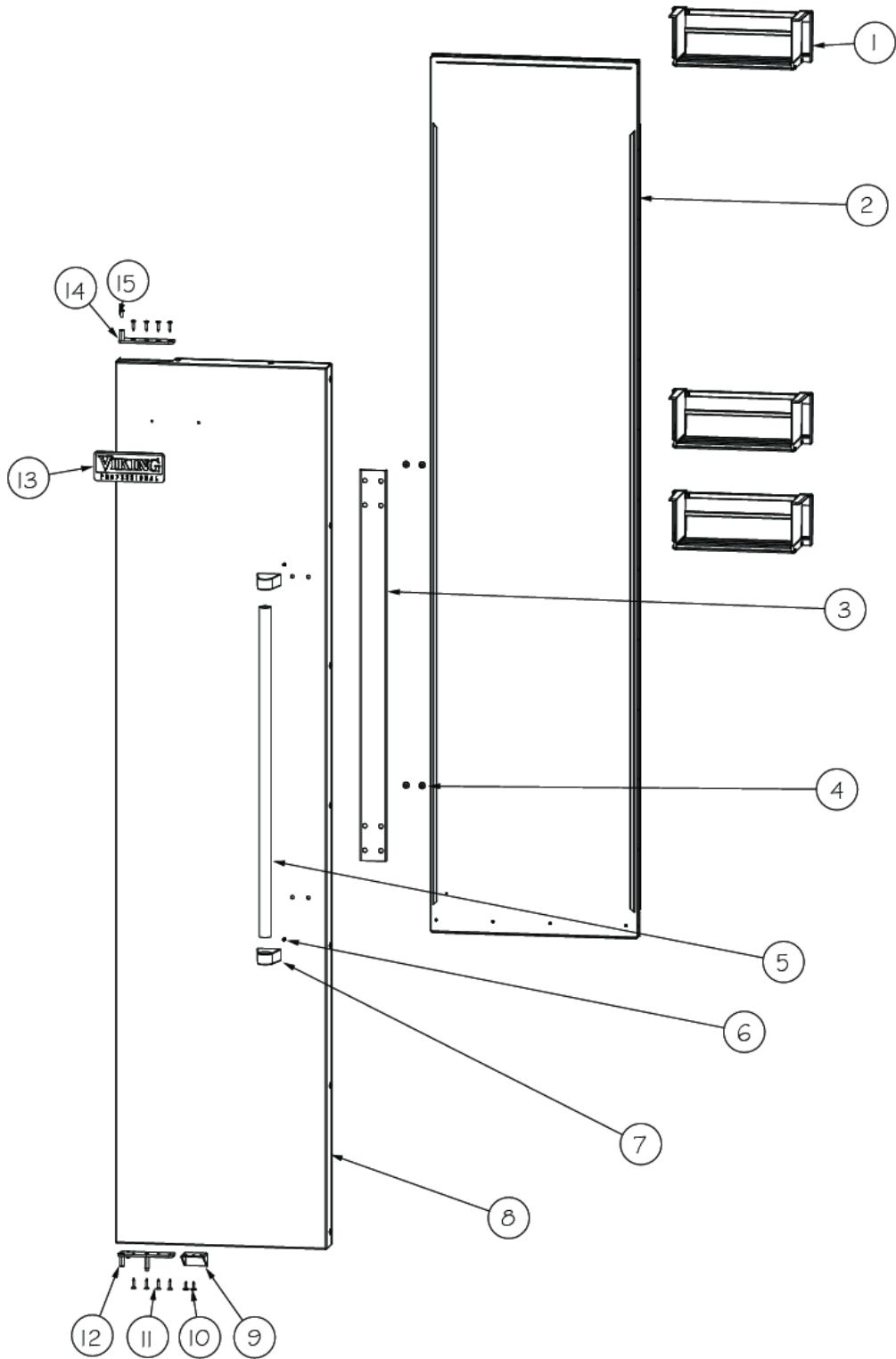
FREEZER DOOR ASSEMBLY



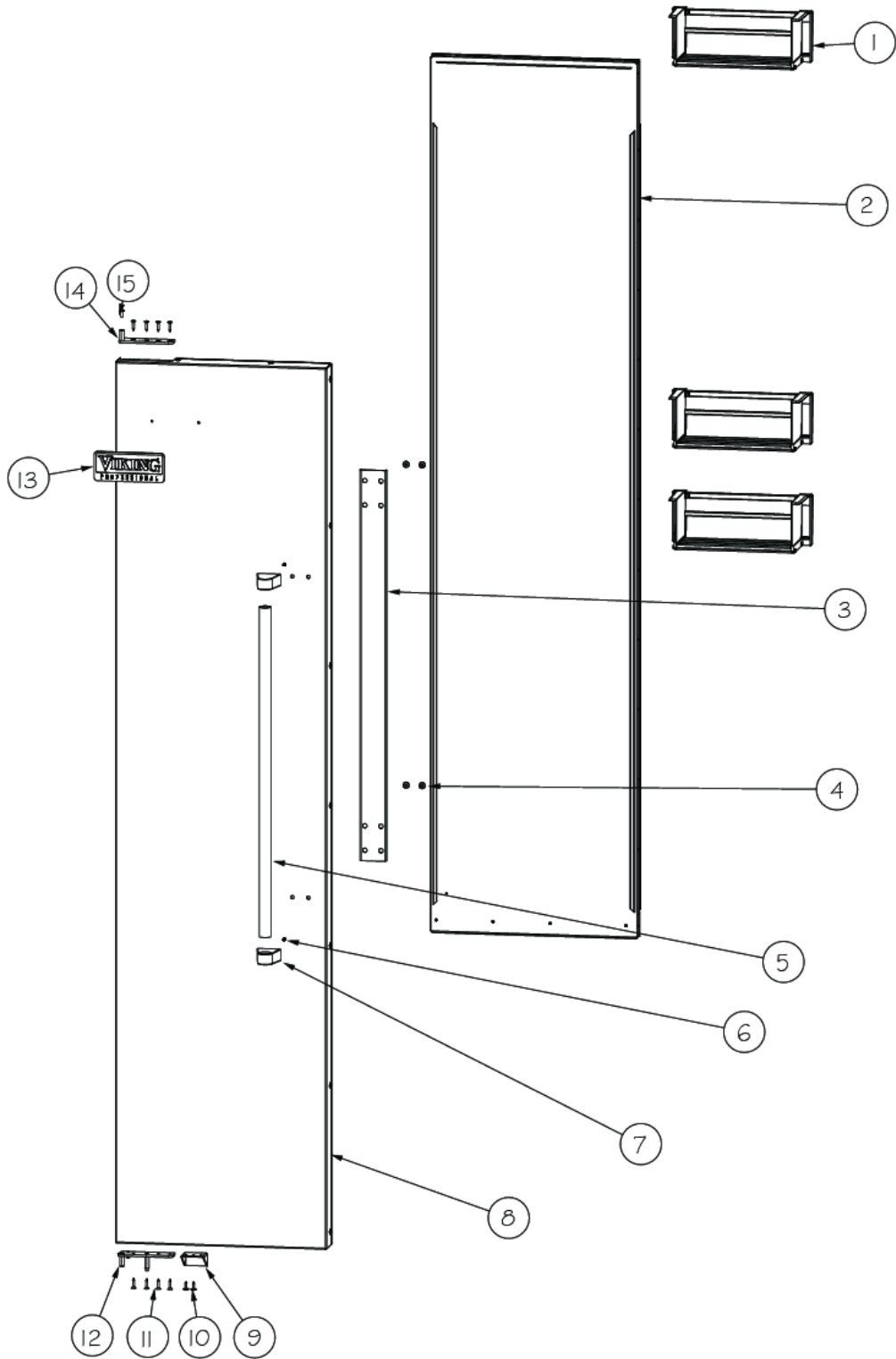
Item	Part No.	Name	Qty	Uom	NOTES
1	036888-000	DOORBIN ASM SXS FZ	3	EA	
2	007519-000	DOOR FOAM ASM SXS 42 FZ	1	EA	
3	013328-000	BRKT,HANDLE,SUPPORT,PRO	1	EA	
4	M0204303	SCREW-MACH	4	EA	
5	012891-000	HANDLE,PRO	1	EA	
6	PD020043	#6-32 X .750 PH. CTRSK T(F)-VGSO166	1	EA	
7	000268-000	HANDLE ENDCAP	2	EA	
NI	000268-100	HANDLE END CAP ASSY - BR	2	EA	
8	013332-000	SKIN, DOOR, ASM, SXS 42 FZ PRO SS	1	EA	
Not Shown	NOTE	(MUST ORDER 2X 000657-000)		EA	
NI	009204-002	SKIN,DOOR,SXS 42D PRO FZ BK	1	EA	Not available online / Call for pricing and availability
Not Shown	NOTE	(MUST ORDER 2X 000657-000)		EA	
NI	009204-003	SKIN,DOOR,SXS 42D PRO FZ BT	1	EA	
Not Shown	NOTE	(MUST ORDER 2X 000657-000)		EA	
NI	009204-004	SKIN,DOOR,SXS 42D PRO FZ SG	1	EA	
Not Shown	NOTE	(MUST ORDER 2X 000657-000)		EA	
NI	009204-005	SKIN,DOOR,SXS 42D PRO FZ GG	1	EA	
Not Shown	NOTE	(MUST ORDER 2X 000657-000)		EA	
NI	009204-006	SKIN,DOOR,SXS 42D PRO FZ WH	1	EA	
Not Shown	NOTE	(MUST ORDER 2X 000657-000)		EA	
NI	009204-007	SKIN,DOOR,SXS 42D PRO FZ GAL	1	EA	Not available online / Call for pricing and availability
Not Shown	NOTE	(MUST ORDER 2X 000657-000)		EA	



Item	Part No.	Name	Qty	Uom	NOTES
NI	009204-008	SKIN,DOOR,SXS 42D PRO FZ BU	1	EA	Not available online / Call for pricing and availability
Not Shown	NOTE	(MUST ORDER 2X 000657-000)		EA	
NI	009204-009	SKIN,DOOR,SXS 42D PRO FZ LE	1	EA	
Not Shown	NOTE	(MUST ORDER 2X 000657-000)		EA	
NI	009204-010	SKIN,DOOR,SXS 42D PRO FZ MJ	1	EA	
Not Shown	NOTE	(MUST ORDER 2X 000657-000)		EA	
NI	009204-011	SKIN,DOOR,SXS 42D PRO FZ FG	1	EA	Not available online / Call for pricing and availability
Not Shown	NOTE	(MUST ORDER 2X 000657-000)		EA	
NI	009204-012	SKIN,DOOR,SXS 42D PRO FZ VB	1	EA	Not available online / Call for pricing and availability
Not Shown	NOTE	(MUST ORDER 2X 000657-000)		EA	
NI	009204-013	SKIN,DOOR,SXS 42D PRO FZ CB	1	EA	
Not Shown	NOTE	(MUST ORDER 2X 000657-000)		EA	
NI	009204-014	SKIN,DOOR,SXS 42D PRO FZ EP	1	EA	Not available online / Call for pricing and availability
Not Shown	NOTE	(MUST ORDER 2X 000657-000)		EA	
NI	009204-015	SKIN,DOOR,SXS 42D PRO FZ PL	1	EA	Not available online / Call for pricing and availability
Not Shown	NOTE	(MUST ORDER 2X 000657-000)		EA	
NI	009204-016	SKIN,DOOR,SXS 42D PRO FZ CH	1	EA	Not available online / Call for pricing and availability
Not Shown	NOTE	(MUST ORDER 2X 000657-000)		EA	



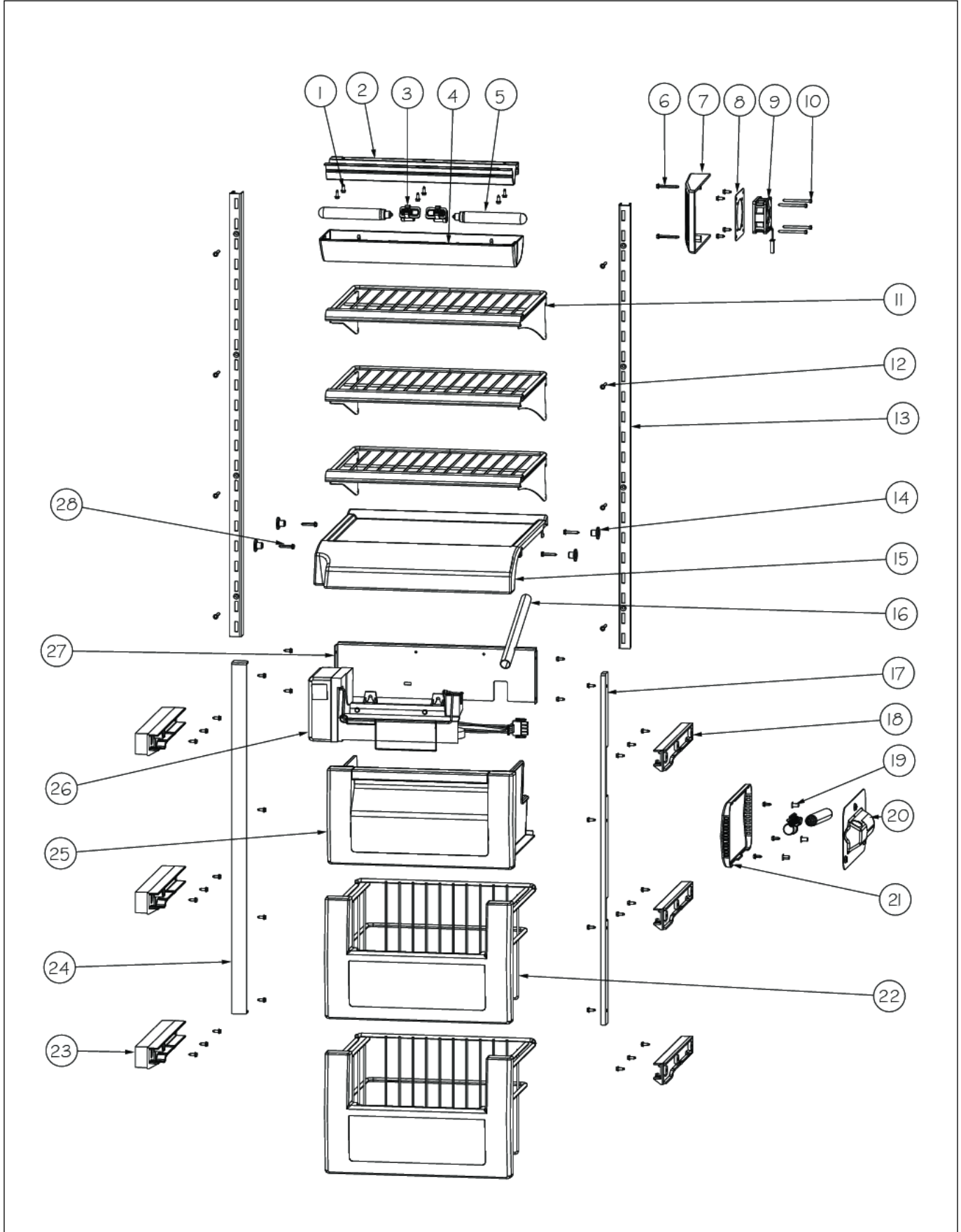
Item	Part No.	Name	Qty	Uom	NOTES
NI	009204-017	SKIN,DOOR,SXS 42D PRO FZ TP	1	EA	
Not Shown	NOTE	(MUST ORDER 2X 000657-000)		EA	
NI	009204-018	SKIN,DOOR,SXS 42D PRO FZ CW NLA	1	EA	
Not Shown	NOTE	(MUST ORDER 2X 000657-000)		EA	
NI	009204-019	SKIN,DOOR,SXS 42D PRO FZ OG	1	EA	
Not Shown	NOTE	(MUST ORDER 2X 000657-000)		EA	
NI	009204-020	SKIN,DOOR,SXS 42D PRO FZ GM	1	EA	
Not Shown	NOTE	(MUST ORDER 2X 000657-000)		EA	
NI	009204-021	SKIN,DOOR,SXS 42D PRO FZ SA	1	EA	
Not Shown	NOTE	(MUST ORDER 2X 000657-000)		EA	
NI	009204-022	SKIN,DOOR,SXS 42D PRO FZ SE	1	EA	
Not Shown	NOTE	(MUST ORDER 2X 000657-000)		EA	
NI	009204-023	SKIN,DOOR,SXS 42D PRO FZ IB	1	EA	
Not Shown	NOTE	(MUST ORDER 2X 000657-000)		EA	
NI	009204-024	SKIN,DOOR,SXS 42D PRO FZ AR	1	EA	
Not Shown	NOTE	(MUST ORDER 2X 000657-000)		EA	
NI	009204-025	SKIN,DOOR,SXS 42D PRO FZ RR	1	EA	
Not Shown	NOTE	(MUST ORDER 2X 000657-000)		EA	
NI	009204-026	SKIN,DOOR,SXS 42D PRO FZ PM	1	EA	
Not Shown	NOTE	(MUST ORDER 2X 000657-000)		EA	
NI	009204-027	SKIN,DOOR,SXS 42D PRO FZ MS	1	EA	
Not Shown	NOTE	(MUST ORDER 2X 000657-000)		EA	





Item	Part No.	Name	Qty	Uom	NOTES
9	PD050019	STRIKER DOOR SWITCH	1	EA	
10	M0210458	SCREW-SM	2	EA	
11	PD920174	10-32 TORX HEAD SCREW	8	EA	
12	016182-000	PIVOT PL ASM LH LW PRO/DES	1	EA	
13	PE010030	LOGO	1	EA	
NI	PE010068	LOGO 6" (VGRC) BK/BR	1	EA	
14	PC020279	PIVOT PL ASM LH UP PRO/DES	1	EA	
15	PD020234	SCREW THP 10-32 X .500 SS BO	1	EA	
NI	005452-000	GASKET,ASM,42,SXS,FZ VID# 602711817-17	1	EA	

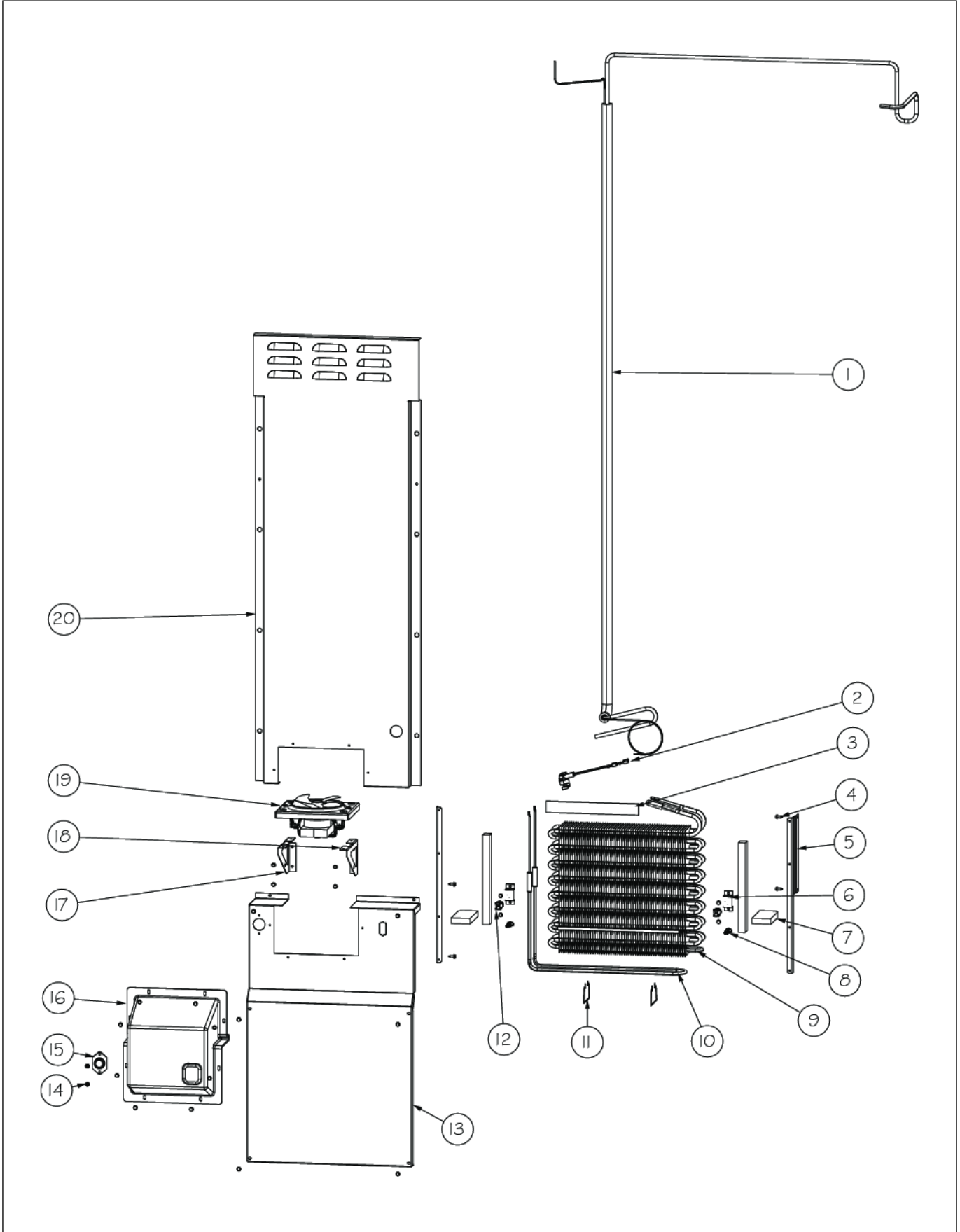
FREEZER INTERIOR ASSEMBLY





Item	Part No.	Name	Qty	Uom	NOTES
1	PD020194	SCR, HEX SRTD WSHR HD, #8-18 X 1/2	43	EA	
2	L2099475	BRACKET LIGHT SXS FZ	1	EA	
3	PE950125	LIGHT SOCKET	3	EA	
4	020117-000	COVER LIGHT ASM SXS 42 FZ	1	EA	
5	004528-000	LAMP, 40 WATT CLEAR LIGHT	3	EA	
6	PD020188	SCR 8-18 BT HXWS 1 1/2	2	EA	
7	PK930086	COVER FAN SXS 48 FZ	1	EA	
8	007302-000	BRACKET,FAN	1	EA	
9	004551-000	AXIAL FAN	1	EA	
<p>Comments for Part Num. 004551-000</p> <p>gboltz@VikingRange.com on Jul 21, 2016</p> <p>View service bulletin TR-0052-SP before ordering fan, if applicable order kit instead of fan</p>					
10	M0221913	SCREW-SM	4	EA	
11	PM910411	SHELF WIRE AF 36	3	EA	
12	M0238535	SCREW-SM	8	EA	
13	12231701	LADDER-FZ L/R SIDE 42/48	2	EA	
14	12258501	SUPPORT-SHELF	4	EA	
15	PK930079	SHELF COVER SXS 48 FZ	1	EA	
16	A3127415	EXT-FILL TUBE	1	EA	
17	12304301	CLOSEOUT-FZ SIDE #	1	EA	
18	PK930074	GLIDE SXS 48 FZ R	3	EA	
19	M0580007	GROMMET-SCREW	3	EA	
20	10270203	HOUSING-LIGHT V10270203	1	EA	
21	PK930346	COVER LIGHT	1	EA	
22	PM910190	BASKET ASM FZ	2	EA	
23	PK930075	GLIDE SXS 48 FZ L	3	EA	
24	PK930073	CLOSEOUT SIDE SXS 48 FZ L	1	EA	
25	PK930076	ICE PAN ASM SXS 48	1	EA	
26	043156-000	ICEMAKER ASSEMBLY	1	EA	
27	C2097183	SUPPORT IM ND SXS 48	1	EA	
28	M0211021	SCREW-SM	4	EA	

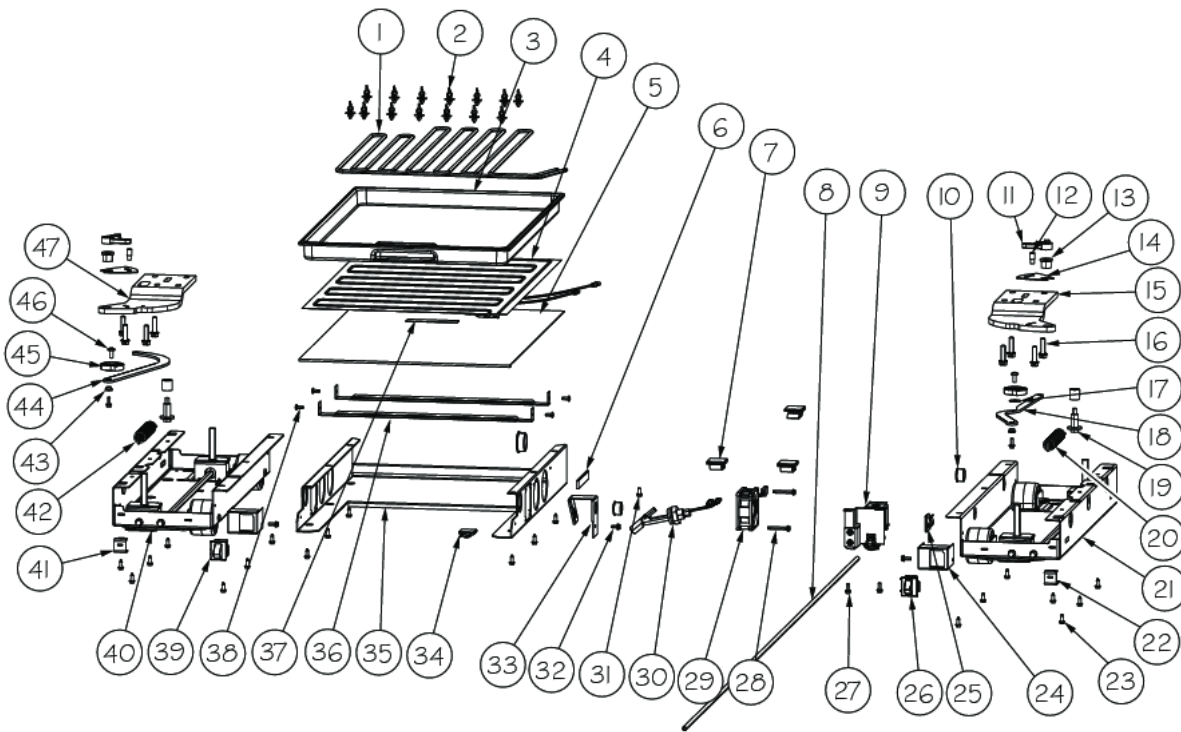
LOW SIDE ASSEMBLY





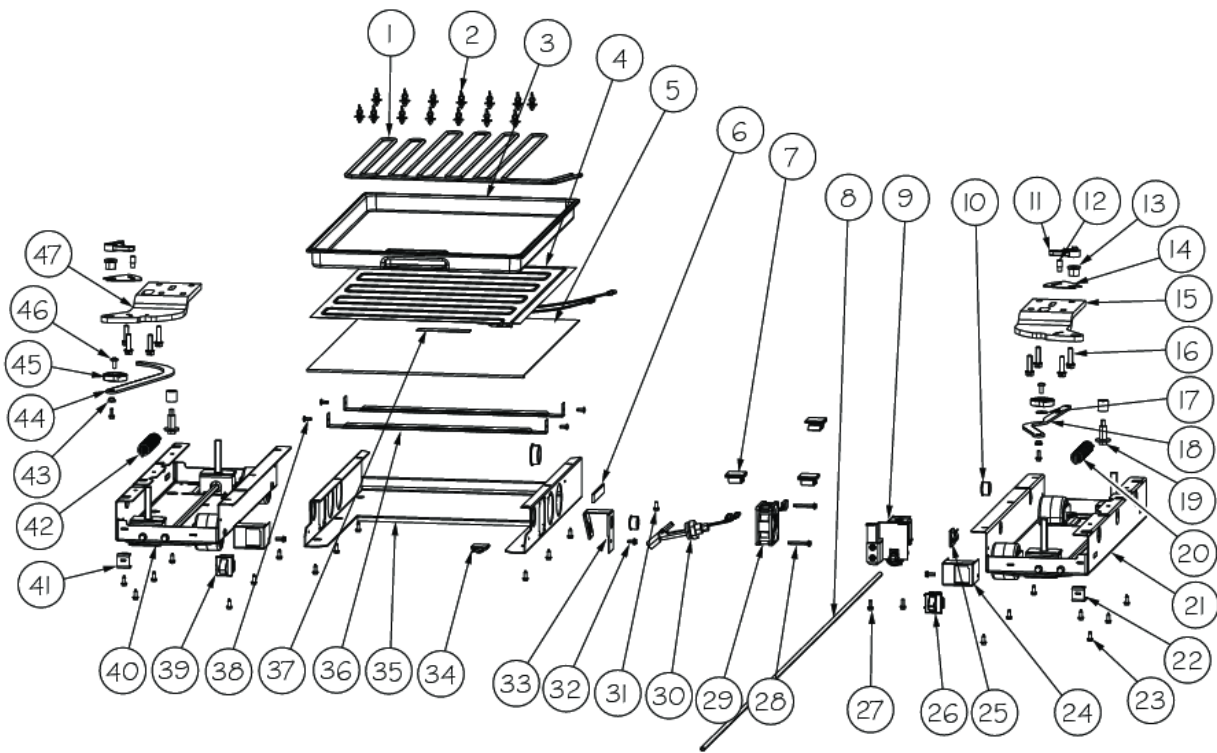
Item	Part No.	Name	Qty	Uom	NOTES
1	053308-000	HEAT EXCHANGER ASM SXS 42	1	EA	
2	058966-000	THERMOSTAT, SNAP ACTION, 55 OPEN 20 CLOSE	1	EA	
3	A3189370	GASKET-FOAM VA3189370	3	EA	
4	PD020194	SCR, HEX SRTD WSHR HD, #8-18 X 1/2	23	EA	
5	K2096461	BRKT-EVAP COVER 12234801	2	EA	
6	K2096456	BRKT-EVAP CLIP 12215101	2	EA	
7	10629001	BLOCK-R AIR COIL RED	2	EA	
8	10527401	CLIP-EVAP	2	EA	
9	PM910206	EVAPORATOR SXS 48	1	EA	
10	PJ910031	HEATER EVAP SXS	1	EA	
11	10428101	CLIP-EVAP HTR V10428101	2	EA	
12	10623003	CLIP-EVAP	1	EA	
13	L2097182	COVER EVAP LOWER SXS 48	1	EA	
14	M0211014	SCREW-SM	2	EA	Not available online / Call for pricing and availability
15	C8983701	THERMISTOR	1	EA	
16	PK930150	COVER CTR EVAP SXS	1	EA	
17	K2096458	BRKT-L-EVAP-FAN 12223102	1	EA	
18	K2096457	BRKT-R-EVAP FAN 12223101	1	EA	
19	G5098660	FAN EVAP ASM PANASONIC	1	EA	
20	L2097181	COVER EVAP UPPER SXS 48	1	EA	

LOWER UNIT ASSEMBLY



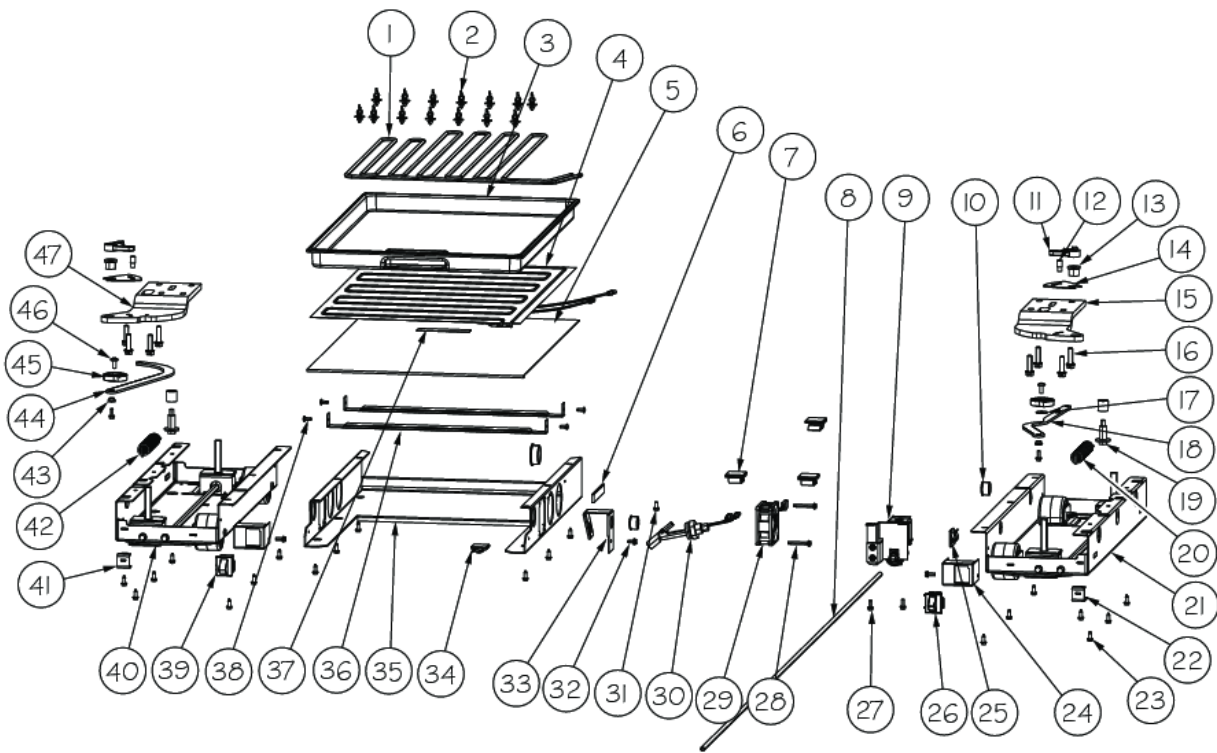


Item	Part No.	Name	Qty	Uom	NOTES
1	F20915693	SERPENTINE CONDENSER DRAIN ALL SXS'S	1	EA	
2	PD030146	STAND OFF LOCK CLIP	14	EA	
3	PK930348	PAN DRAIN	1	EA	
4	G50911853	TRAY PAN HEATER	1	EA	
5	L20914124	TRAY PAN HEATER	1	EA	Not available online / Call for pricing and availability
6	PF930654	LABEL CONDENSATE FAN SERVICE	1	EA	
7	M0104102	CLIP-CORD RED	3	EA	
8	PB020304	PLASTIC TUBING-IM WATERLINE	1	EA	
9	G32913789	BRKT & VALVE H2O SNGL ASM	1	EA	
10	A4554806	BUSHING-SNAP VA4554806	2	EA	
11	PD940091	BUSHING - DOOR STOP	2	EA	
12	PC920145	PIN - DOOR STOP	2	EA	
13	PD940090	BUSHING - WC DOOR LEVEL	2	EA	
14	PC920144	PLATE - WC DOOR SHIM	2	EA	
15	PC020288	HINGE PLATE LR	1	EA	
16	000570-000	FASTENER, BOLT, 1/4-20 IHXWS 1" S ZN SER	8	EA	
17	PD940107	ROUND SPRING SPACER	2	EA	
18	PC920166	HINGE ASM COMPLETE RR	1	EA	
19	M0221523	SCREW - SHLDR	2	EA	
20	003867-000	SPRING EXTENSION	1	EA	
21	060890-000	LEVELER MODULE R	1	EA	
22	K2098044	BRKT GRILLE SUPPORT	1	EA	
23	PD020194	SCR, HEX SRTD WSHR HD, #8-18 X 1/2	20	EA	
24	014334-000	BRACKET,LT,SWITCH	2	EA	
25	M0104106	CLIP-CORD VM0104106	2	EA	
26	PE950147	SWITCH SPST NC BLACK	1	EA	





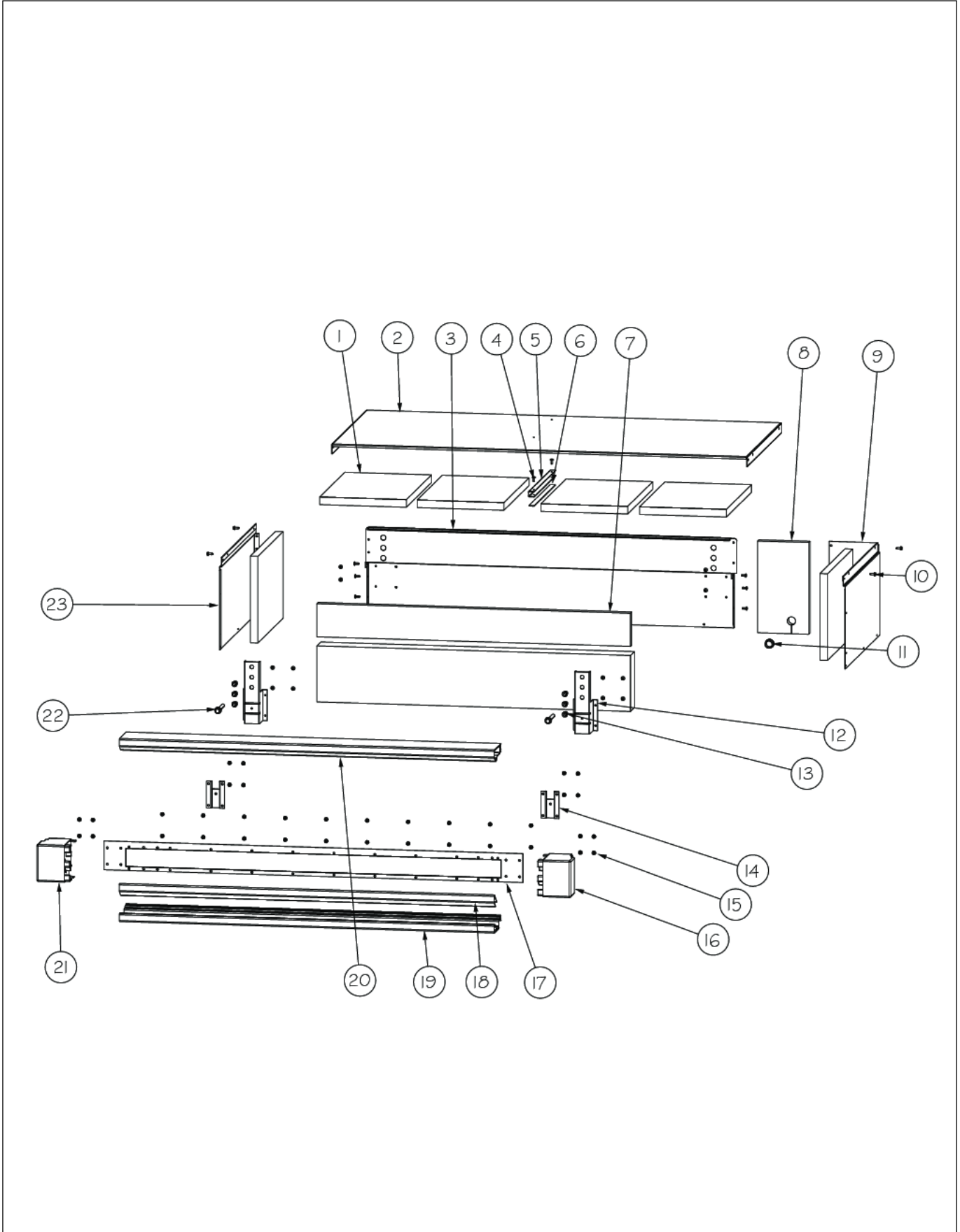
Item	Part No.	Name	Qty	Uom	NOTES
Comments for Part Num. PE950147					
bradleysapplianceservice@shaw.ca on May 1, 2017					
CAUTION WHEN ORDERING DOOR SWITCH. PARTS LISTINGS COULD BE INCORRECT.					
THERE IS TWO VERSIONS OF THIS DOOR SWITCH THAT NEEDS TO BE VISUALLY CHECKED ON UNIT TO DETERMINE CORRECT PART.					
PE950146 DOOR SWITCH 3 WIRE SPDT BLACK					
PE950147 DOOR SWITCH 2 WIRE SPST BLACK					
27	M0220417	SCREW-TC	8	EA	
28	PD020274	SCR SLTD HEX WSHR HD 8X1.250 BT	2	EA	
29	004551-000	AXIAL FAN	1	EA	
Comments for Part Num. 004551-000					
gboltz@VikingRange.com on Jul 21, 2016					
View service bulletin TR-0052-SP before ordering fan, if applicable order kit instead of fan					
30	PE050248	FLOAT SWITCH HORIZONTAL	1	EA	
31	PD020010	10 X 3/8 GREEN GROUNDING SCREW	1	EA	
32	M0253916	SCR 8-32 SHXW 3/8 TRI-LOBE	1	EA	
33	B20915627	BRACKET HORIZ FLOAT SWITCH	1	EA	
34	M0104106	CLIP-CORD VM0104106	2	EA	
35	K20915952	SHIELD BOTTOM DRAIN	1	EA	
36	K20911831	BRACKET CONDENSATE SUPPORT	2	EA	
37	PF031267	LABEL HEATER PAN	1	EA	
38	PC040010	POP RIVET (.063/GR -.125) GAMD42-A	4	EA	
39	PE950146	SPDT SWITCH	1	EA	
40	060891-000	LEVELER MODULE L	1	EA	
41	K2098096	BRKT GRILLE SUPPORT	1	EA	
42	PC910015	SPRING EXTENSION	1	EA	
43	PD940094	BUSHING	2	EA	
44	PC920149	BAR-WC BOT HINGE LH	1	EA	
45	044370-000	CAM DOOR ADJUSTMENT (SXS)	2	EA	





Item	Part No.	Name	Qty	Uom	NOTES
46	PD020234	SCREW THP 10-32 X .500 SS BO	2	EA	
47	PC020289	HINGE PLATE LL	1	EA	
NI	A4554817	BUSHING-SNAP VA4554817	1	EA	

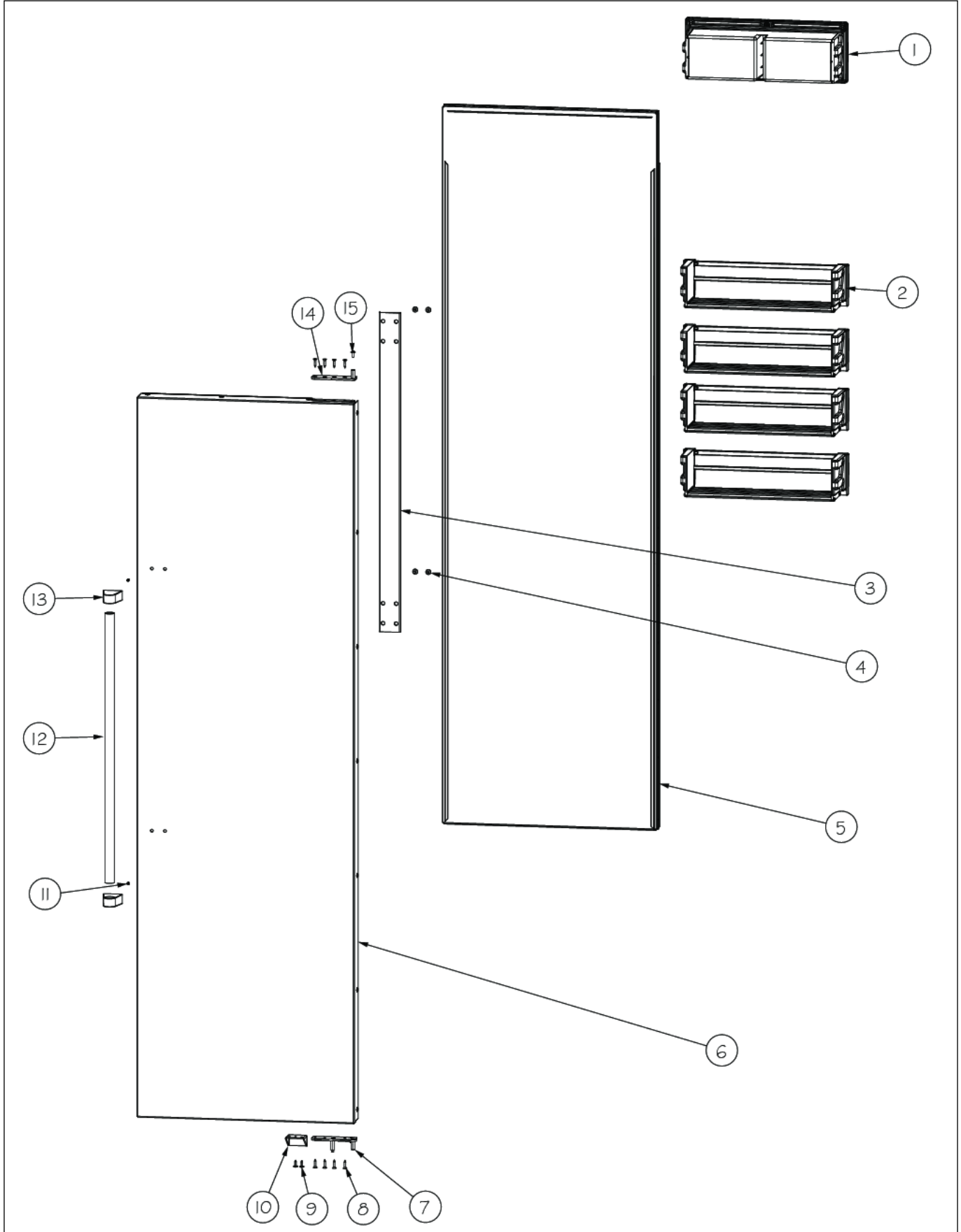
MC COVER AND GRILLE ASSEMBLY





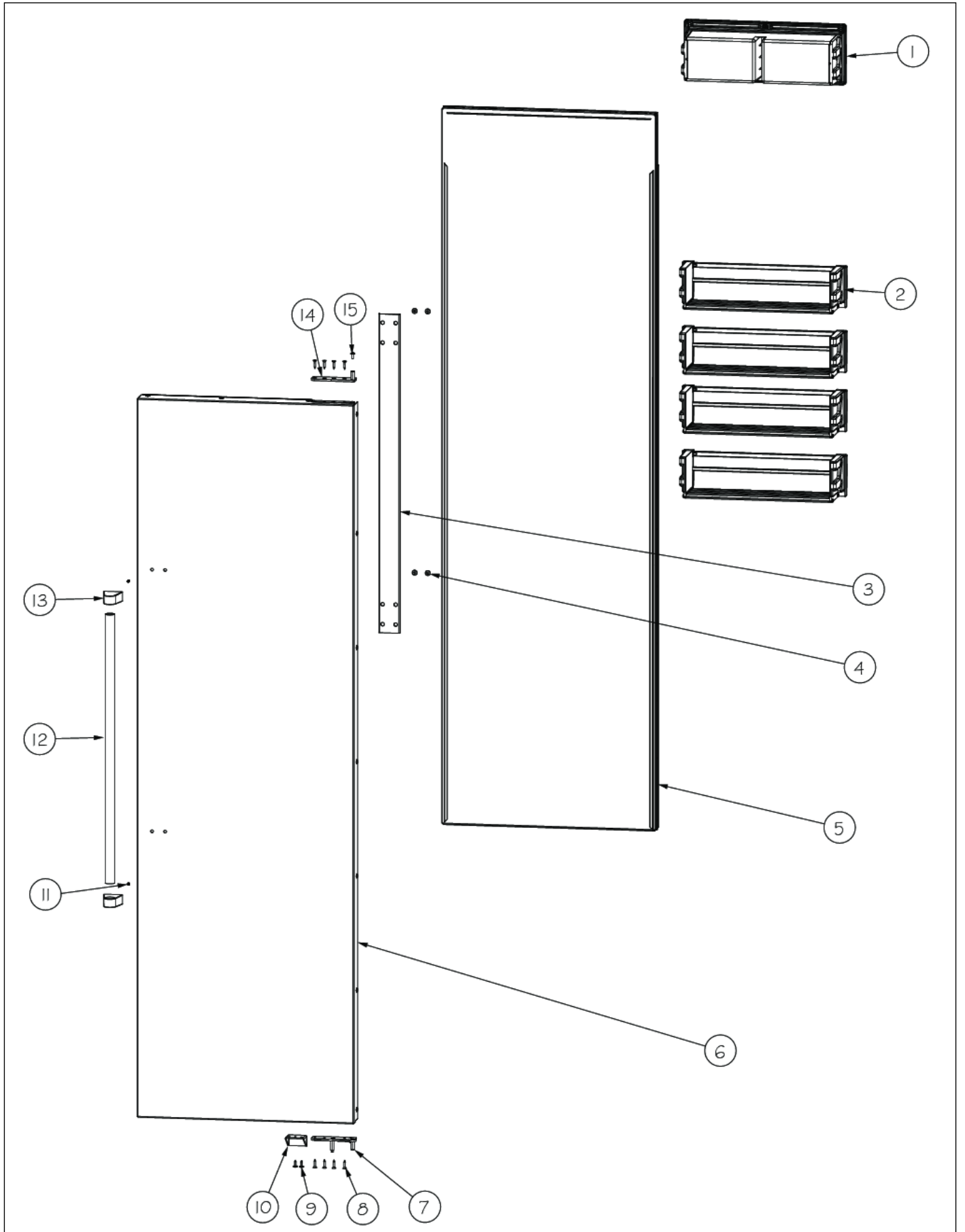
Item	Part No.	Name	Qty	Uom	NOTES
1	PB070355	INSULATION MC COVER	6	EA	
2	K2099458	MC TOP SXS 42	1	EA	
3	K2099461	MC BACK 42	1	EA	
4	PC040010	POP RIVET (.063/GR -.125) GAMD42-A	19	EA	
5	K2099455	SUPPORT MC Z	1	EA	
6	G50915900	MC COVER BI 42	1	EA	Not available online / Call for pricing and availability
7	PB070360	INSULATION MC COVER	2	EA	
8	PB970171	MC INSULATION - BACK SIDE	1	EA	Not available online / Call for pricing and availability
9	K2099459	MC SIDE (RIGHT)	1	EA	
10	PD020194	SCR, HEX SRTD WSHR HD, #8- 18 X 1/2	40	EA	
11	A4554806	BUSHING-SNAP VA4554806	1	EA	
12	K20915675	BRACKET PSM	2	EA	
13	PD040157	BEARING SLEEVE	4	EA	
14	PK050004	BRACKET GRILLE 5 SERIES	2	EA	
15	M0253916	SCR 8-32 SHXW 3/8 TRI-LOBE	8	EA	
16	003269-000	ENDCAP,PRO,RH,HINGE	1	EA	
17	003292-000	PLATE,BACK,GRILLE	1	EA	
18	003290-000	EXTRUSION,LOUVER,MIDDLE	1	EA	
19	003291-000	EXTRUSION,LOUVER,BOTTOM	1	EA	
20	003289-000	EXTRUSION,LOUVER,TOP	1	EA	
21	003274-000	ENDCAP,PRO,LH,HINGE - NLA	1	EA	
22	PD020233	SCR LAG 5/16-9 GX 5/16X7/16 WAF IHXW 3 S ZN	1	EA	
23	K2099460	MC SIDE L	1	EA	
NI	003293-000	GRILLE,ASM,42 SXS	1	EA	

REFRIG DOOR ASSEMBLY

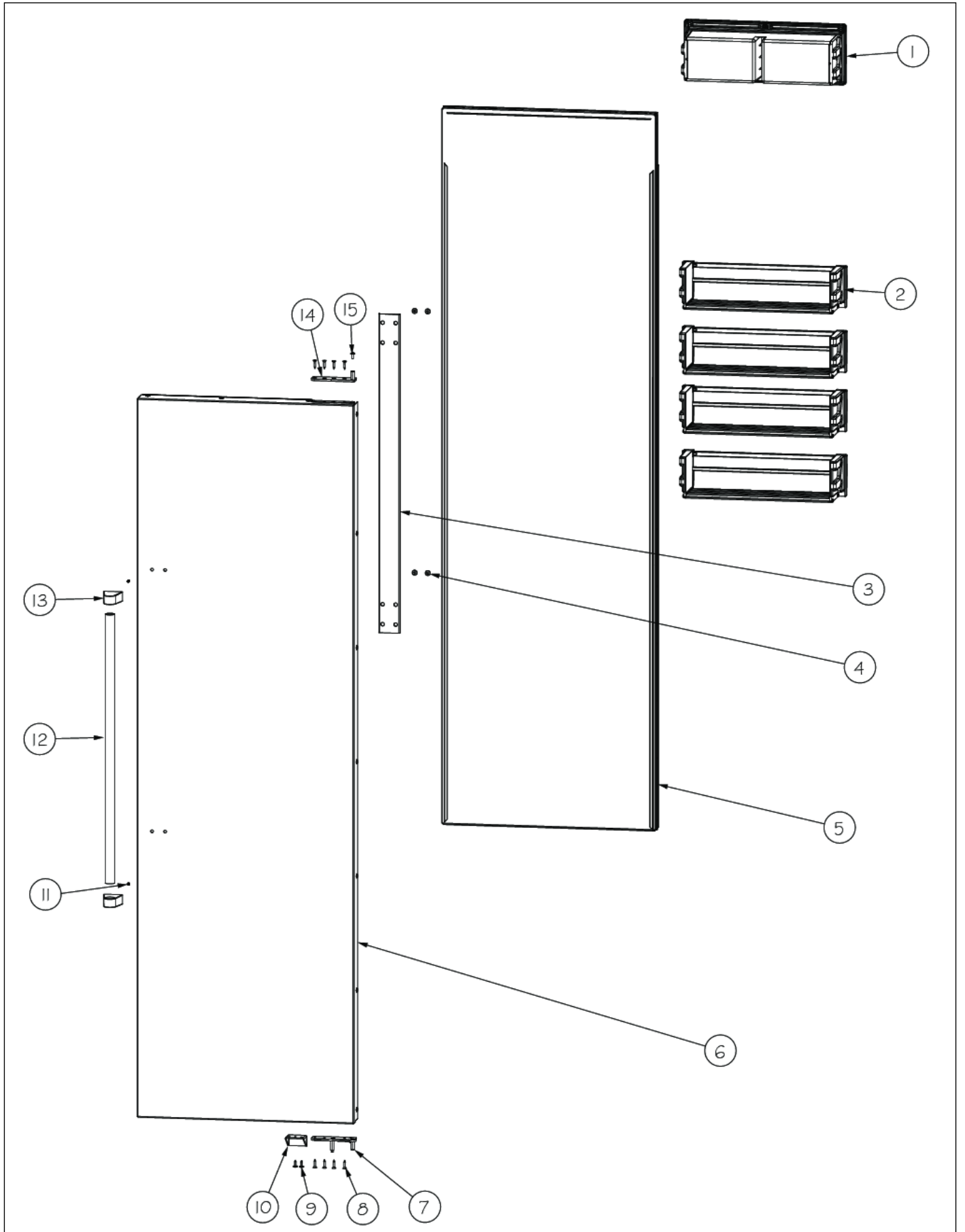




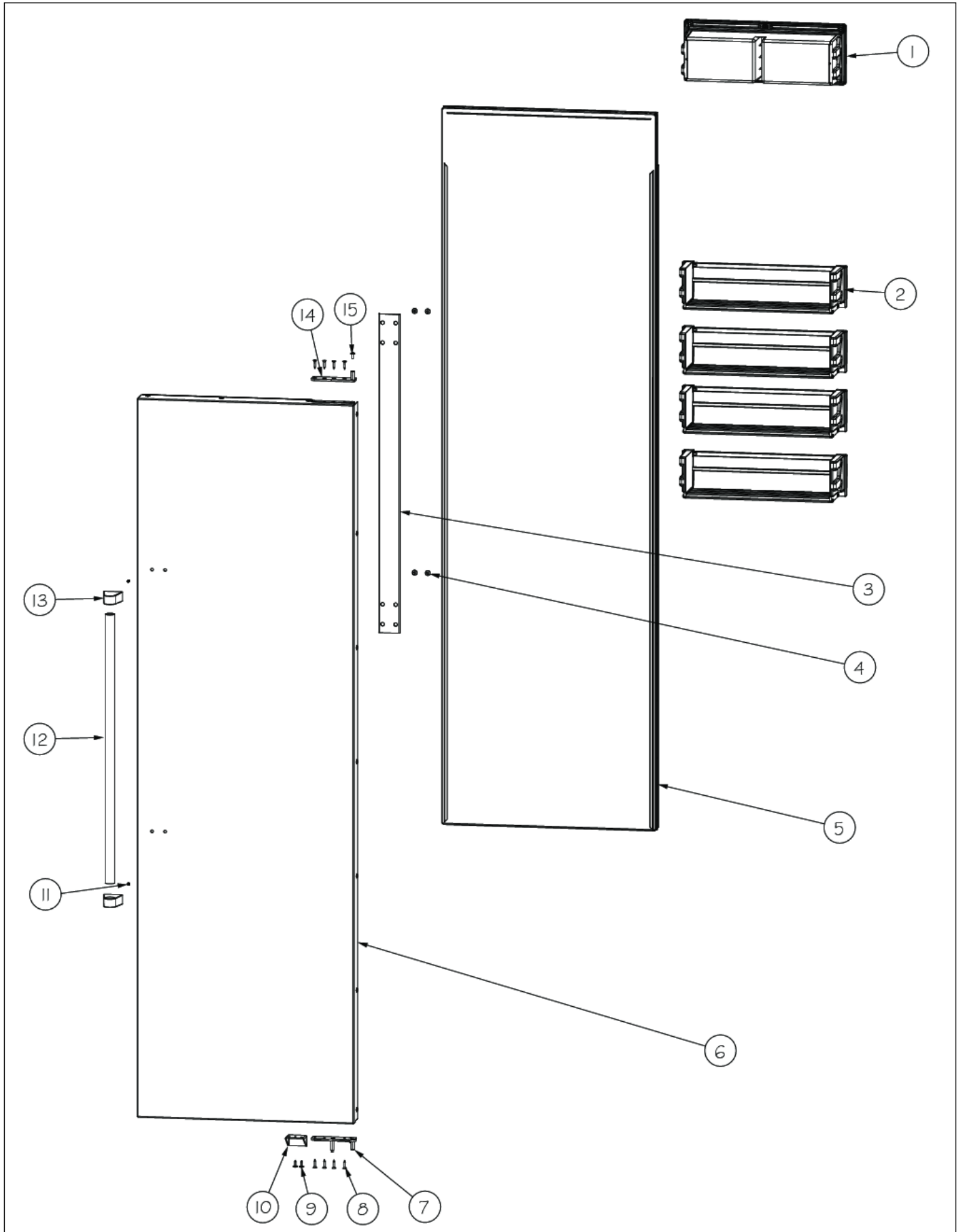
Item	Part No.	Name	Qty	Uom	NOTES
1	PK930123	DAIRY MODULE ASM SXS 42	1	EA	
2	036890-000	DOORBIN ASM SXS 42 FF	4	EA	
3	013328-000	BRKT,HANDLE,SUPPORT,PRO	1	EA	
4	M0204303	SCREW-MACH	4	EA	
5	007514-000	DOOR FOAM ASM SXS 42 FF	1	EA	
6	009156-000	SKIN, DOOR,SXS 42 FF PRO SS	1	EA	
Not Shown	NOTE	(MUST ORDER 2X PM910333)		EA	
NI	009207-002	SKIN,DOOR,SXS 42D PRO FF BK	1	EA	Not available online / Call for pricing and availability
Not Shown	NOTE	(MUST ORDER 2X PM910333)		EA	
NI	009207-003	SKIN,DOOR,SXS 42D PRO FF BT	1	EA	
Not Shown	NOTE	(MUST ORDER 2X PM910333)		EA	
NI	009207-004	SKIN,DOOR,SXS 42D PRO FF SG	1	EA	
Not Shown	NOTE	(MUST ORDER 2X PM910333)		EA	
NI	009207-005	SKIN,DOOR,SXS 42D PRO FF GG	1	EA	
Not Shown	NOTE	(MUST ORDER 2X PM910333)		EA	
NI	009207-007	SKIN,DOOR,SXS 42D PRO FF GAL	1	EA	Not available online / Call for pricing and availability
Not Shown	NOTE	(MUST ORDER 2X PM910333)		EA	
NI	009207-008	SKIN,DOOR,SXS 42D PRO FF BU	1	EA	Not available online / Call for pricing and availability
Not Shown	NOTE	(MUST ORDER 2X PM910333)		EA	
NI	009207-009	SKIN,DOOR,SXS 42D PRO FF LE	1	EA	
Not Shown	NOTE	(MUST ORDER 2X PM910333)		EA	



Item	Part No.	Name	Qty	Uom	NOTES
NI	009207-010	SKIN,DOOR,SXS 42D PRO FF MJ	1	EA	
Not Shown	NOTE	(MUST ORDER 2X PM910333)		EA	
NI	009207-011	SKIN,DOOR,SXS 42D PRO FF FG	1	EA	Not available online / Call for pricing and availability
Not Shown	NOTE	(MUST ORDER 2X PM910333)		EA	
NI	009207-012	SKIN,DOOR,SXS 42D PRO FF VB	1	EA	Not available online / Call for pricing and availability
Not Shown	NOTE	(MUST ORDER 2X PM910333)		EA	
NI	009207-013	SKIN,DOOR,SXS 42D PRO FF CB	1	EA	
Not Shown	NOTE	(MUST ORDER 2X PM910333)		EA	
NI	009207-014	SKIN,DOOR,SXS 42D PRO FF EP	1	EA	Not available online / Call for pricing and availability
Not Shown	NOTE	(MUST ORDER 2X PM910333)		EA	
NI	009207-015	SKIN,DOOR,SXS 42D PRO FF PL	1	EA	Not available online / Call for pricing and availability
Not Shown	NOTE	(MUST ORDER 2X PM910333)		EA	
NI	009207-016	SKIN,DOOR,SXS 42D PRO FF CH	1	EA	
Not Shown	NOTE	(MUST ORDER 2X PM910333)		EA	
NI	009207-017	SKIN,DOOR,SXS 42D PRO FF TP	1	EA	
Not Shown	NOTE	(MUST ORDER 2X PM910333)		EA	
NI	009207-018	SKIN,DOOR,SXS 42D PRO FF CW NLA	1	EA	
Not Shown	NOTE	(MUST ORDER 2X PM910333)		EA	
NI	009207-019	SKIN,DOOR,SXS 42D PRO FF OG	1	EA	



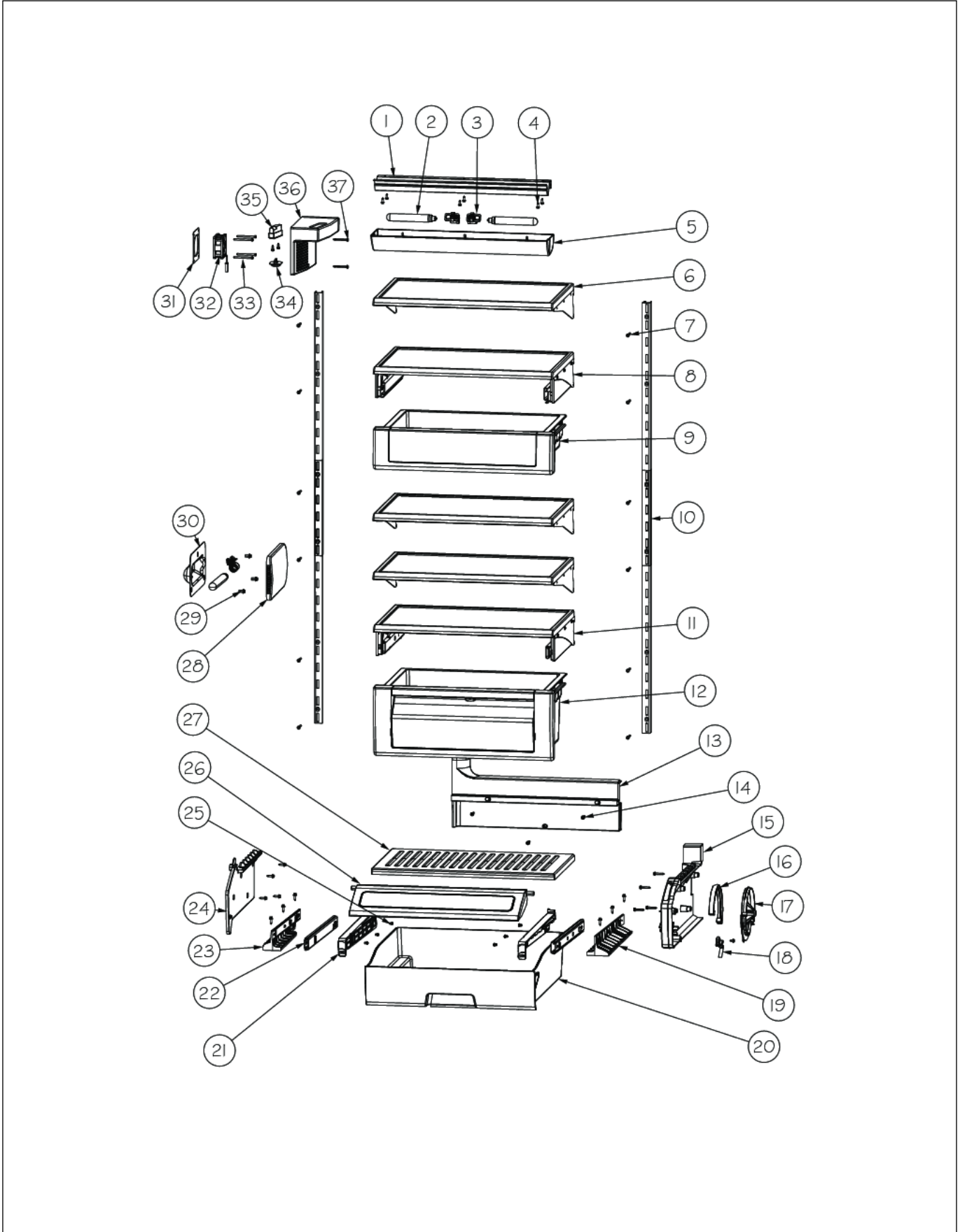
Item	Part No.	Name	Qty	Uom	NOTES
Not Shown	NOTE	(MUST ORDER 2X PM910333)		EA	
NI	009207-020	SKIN,DOOR,SXS 42D PRO FF GM	1	EA	
Not Shown	NOTE	(MUST ORDER 2X PM910333)		EA	
NI	009207-021	SKIN,DOOR,SXS 42D PRO FF SA	1	EA	
Not Shown	NOTE	(MUST ORDER 2X PM910333)		EA	
NI	009207-022	SKIN,DOOR,SXS 42D PRO FF SE	1	EA	
Not Shown	NOTE	(MUST ORDER 2X PM910333)		EA	
NI	009207-023	SKIN,DOOR,SXS 42D PRO FF IB	1	EA	
Not Shown	NOTE	(MUST ORDER 2X PM910333)		EA	
NI	009207-024	SKIN,DOOR,SXS 42D PRO FF AR	1	EA	
Not Shown	NOTE	(MUST ORDER 2X PM910333)		EA	
NI	009207-025	SKIN,DOOR,SXS 42D PRO FF RR	1	EA	
Not Shown	NOTE	(MUST ORDER 2X PM910333)		EA	
NI	009207-026	SKIN,DOOR,SXS 42D PRO FF PM	1	EA	
Not Shown	NOTE	(MUST ORDER 2X PM910333)		EA	
NI	009207-027	SKIN,DOOR,SXS 42D PRO FF MS	1	EA	
Not Shown	NOTE	(MUST ORDER 2X PM910333)		EA	
7	016181-000	PIVOT PL ASM RH LW PRO/DES	1	EA	
8	PD920174	10-32 TORX HEAD SCREW	5	EA	
9	M0210458	SCREW-SM	1	EA	
10	PD050019	STRIKER DOOR SWITCH	1	EA	
11	000270-000	SET SCREW (NOT ORDERABLE, MUST ORDER ENDCAP)	2	EA	
12	012891-000	HANDLE,PRO	1	EA	





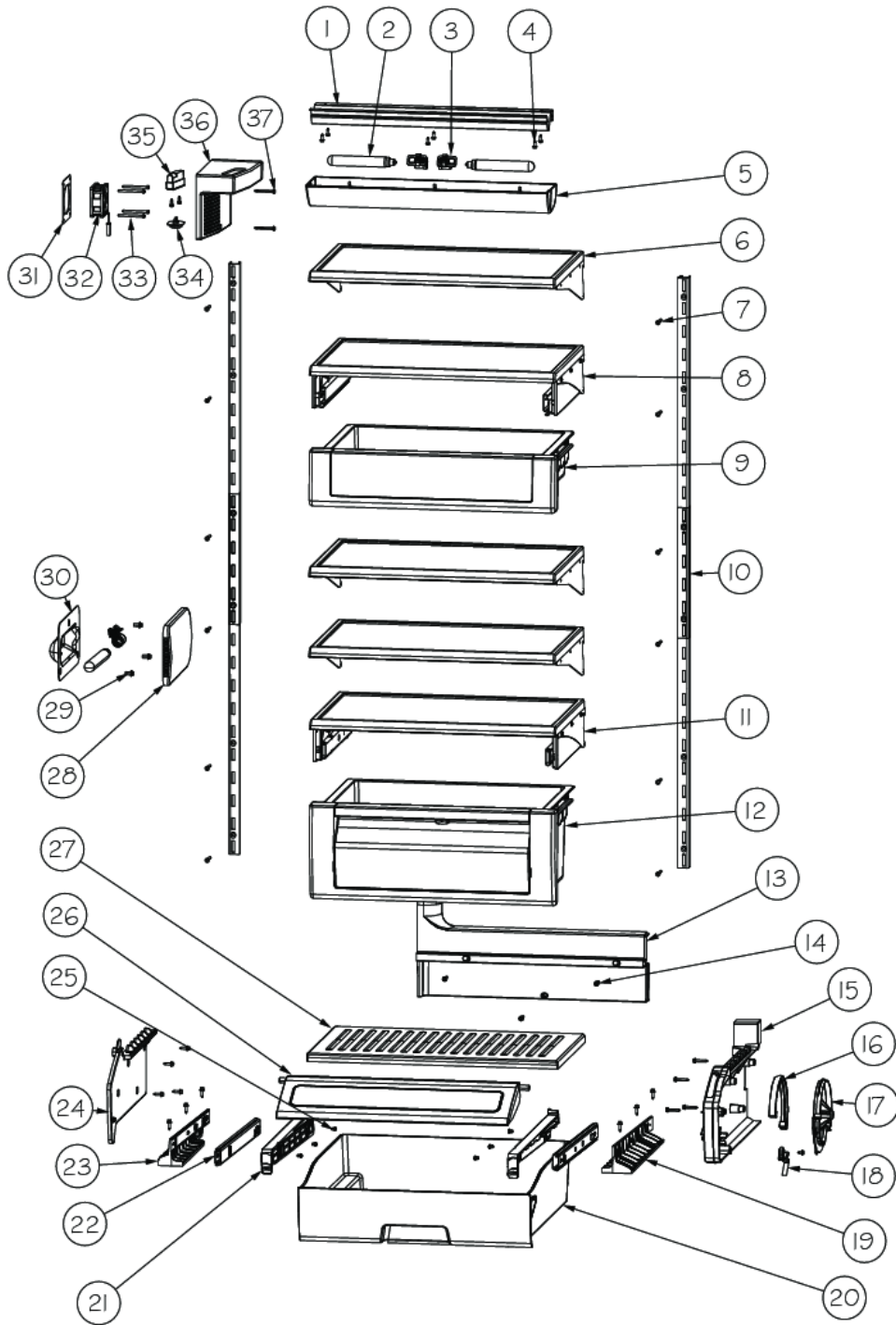
Item	Part No.	Name	Qty	Uom	NOTES
13	000268-000	HANDLE ENDCAP	2	EA	
NI	000268-100	HANDLE END CAP ASSY - BR	2	EA	
14	PC020278	PIVOT PL ASM RH UP PRO/DES	1	EA	
15	PD020234	SCREW THP 10-32 X .500 SS BO	1	EA	
NI	005451-000	GASKET,ASM,42,SXS,FF VID# 602711807-17	1	EA	

REFRIG INTERIOR ASSEMBLY





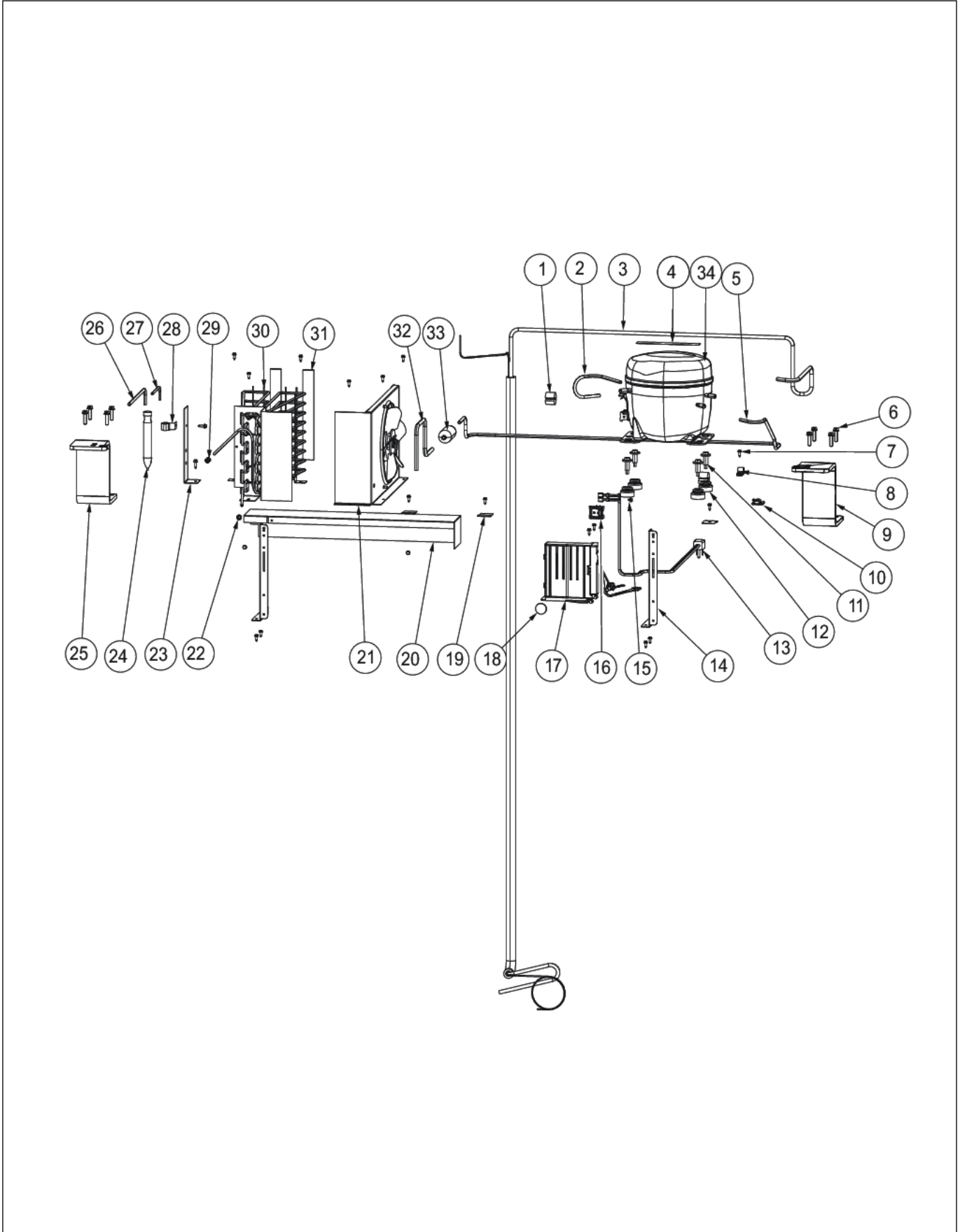
Item	Part No.	Name	Qty	Uom	NOTES
1	L2099474	BRACKET LIGHT SXS 42 FF	1	EA	Not available online / Call for pricing and availability
2	004528-000	LAMP, 40 WATT CLEAR LIGHT	3	EA	
3	PE950125	LIGHT SOCKET	3	EA	
4	PD020195	SCR 8-18 X 5/8	24	EA	
5	PK930115	COVER LIGHT ASM SXS 42 FF	1	EA	
6	043623-000	SHELF ASM GLASS 42 FF	3	EA	
7	M0238535	SCREW-SM	12	EA	
8	G5099426	SHELF AND SLIDE ASSEMBLY	1	EA	
9	G32910068	DRAWER DELI & RAIL ASM SXS 42	1	EA	
10	PM910227	LADDER RS REF	2	EA	
11	G5099965	SHELF AND SLIDE ASM SXS 42	1	EA	
12	012809-000	PRODUCE DRAWER & RAIL ASM SXS 42	1	EA	
13	PK930171	DUCT MEAT SAVOR SXS 42 REAR	1	EA	
14	M0211021	SCREW-SM	3	EA	
15	044232-000	DUCT MEAT SAVOR (R)	1	EA	
16	PK930172	COVER CONTROL MEAT SAVOR	1	EA	
17	044384-000	DIAL CONTROL MEAT SAVOR	1	EA	
18	PM910334	ROLLER TENSION	1	EA	
19	PK930173	SUPPORT SLIDE MEAT SAVOR SXS 42/48 R	1	EA	
20	PK930114	DRAWER MEAT SAVOR SXS 42	1	EA	
21	PK930176	SUPPORT DRAWER MEAT SAVOR 42/48 L	1	EA	
22	PM910288	SLIDE MEAT SAVOR L	1	EA	
<p>Comments for Part Num. PM910288</p> <p>profixappliances@gmail.com on May 3, 2017</p> <p>ITEM # 5 SHOULD BE PK930288-DOOR MEATSAVOR ASM AR/BM 36</p>					
23	PK930174	SUPPORT SLIDE MEAT SAVOR SXS 42/48 L	1	EA	
24	PK930170	DUCT MEAT SAVOR SXS 42 L	1	EA	





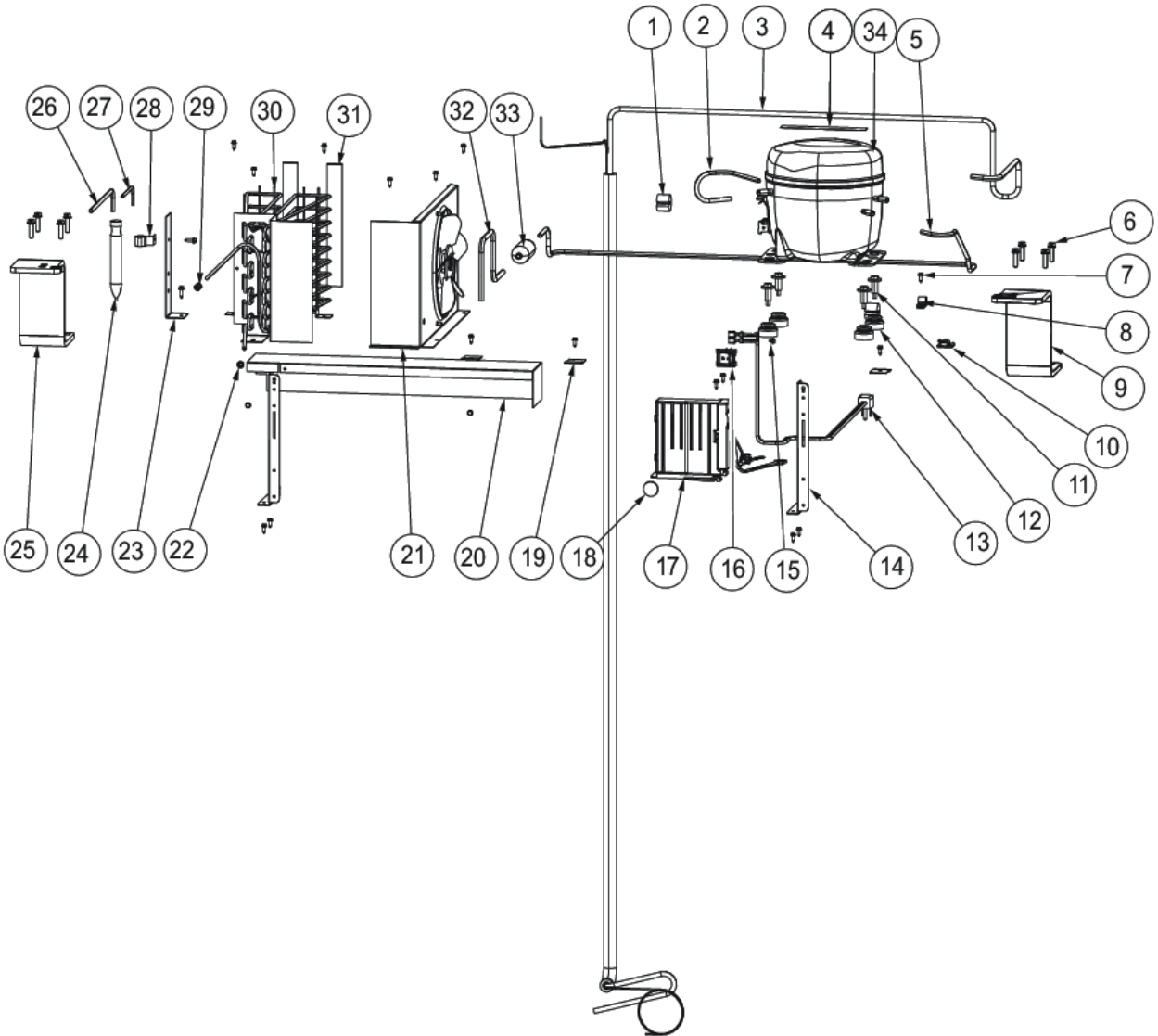
Item	Part No.	Name	Qty	Uom	NOTES
25	PD920162	SCR 8-16 PLASTITE PNP 1/4 S	2	EA	
26	045689-000	DOOR MEATSAVOR ASM SXS 42	1	EA	
27	PK930120	SHELF MEAT SAVOR SXS 42	1	EA	
28	PK930346	COVER LIGHT	1	EA	
29	M0580007	GROMMET-SCREW	3	EA	
30	10270203	HOUSING-LIGHT V10270203	1	EA	
31	007302-000	BRACKET,FAN	1	EA	
32	004551-000	AXIAL FAN	1	EA	
<p>Comments for Part Num. 004551-000</p> <p>gboltz@VikingRange.com on Jul 21, 2016</p> <p>View service bulletin TR-0052-SP before ordering fan, if applicable order kit instead of fan</p>					
33	M0221913	SCREW-SM	4	EA	
34	C8983701	THERMISTOR	1	EA	
35	010093-000	PLASMA CLUSTER	1	EA	
36	012312-000	FAN COVER SXS	1	EA	
37	PD020188	SCR 8-18 BT HXWS 1 1/2	2	EA	

SEALED SYSTEM ASSEMBLY





Item	Part No.	Name	Qty	Uom	NOTES
1	10699601	DAMPER-TUBING .8	2	EA	
2	F2096507	TUBE-PROCESS GRN	1	EA	
3	053308-000	HEAT EXCHANGER ASM SXS 42	1	EA	
4	C8982701	LABEL-COMP WARN	1	EA	
5	F2099443	TUBE DISCHARGE FORMED PRE ACCUM	1	EA	
6	000570-000	FASTENER, BOLT, 1/4-20 IHXWS 1" S ZN SER	8	EA	
7	PD020195	SCR 8-18 X 5/8	20	EA	
8	PD030118	INSULATED CLAMP	1	EA	
9	PC920203	HINGE ASM UR	1	EA	
10	M0104106	CLIP-CORD VM0104106	1	EA	
11	M0221523	SCREW - SHLDR	4	EA	
12	10835901	GROMMET RUBBER V10835901	4	EA	
13	10916507D	POWER CORD	1	EA	Not available online / Call for pricing and availability
14	K20912569	BRACKET GRILLE SUPPORT	2	EA	
15	M0211014	SCREW-SM	1	EA	Not available online / Call for pricing and availability
16	PE950149	SWITCH POWER	1	EA	
17	011666-000	INVERTER,CMPR,ASM	1	EA	
Comments for Part Num. 011666-000					
gboltz@VikingRange.com on Aug 9, 2018					
See 2018-01P Parts Bulletin					
18	PF930682	LABEL WARNING INVERTER	1	EA	
19	K2096943	PANEL BRACKET	3	EA	
20	K20912585	DIVERTER AIR HI SIDE SXS	1	EA	Not available online / Call for pricing and availability
21	G5096494	COND. FAN ASSY	1	EA	
22	007408-000	RING,LOK, .250 DIA	1	EA	





Item	Part No.	Name	Qty	Uom	NOTES
23	K2099454	BRACKET DRIER	1	EA	
24	PM010616	DRIER - HIGH SIDE	1	EA	
25	PC920193	HINGE ASSEM UPPER RH	1	EA	
26	F2097740	TUBE PROCESS	1	EA	
27	F2096504	TUBE-DRIER EXT	1	EA	
28	10547001	CLIP-DRIER V10547001	1	EA	
29	007407-000	RING,LOK, .187 DIA	1	EA	
30	PB920171	CONDENSER ASM	1	EA	
31	A3189370	GASKET-FOAM VA3189370	2	EA	
32	F2099444	TUBE DISCHARGE FORMED POST ACCUM	1	EA	
33	PB920201	ACCUMULATOR	1	EA	
34	PM010619	COMPRESSOR VCC AF	1	EA	



Appendix A:Pages Index

CONTROL ASSEMBLY 1
EXTERIOR ASSEMBLY 2
FREEZER DOOR ASSEMBLY 3
FREEZER INTERIOR ASSEMBLY 4
LOW SIDE ASSEMBLY 5
LOWER UNIT ASSEMBLY 6
MC COVER AND GRILLE ASSEMBLY 7
REFRIG DOOR ASSEMBLY 8
REFRIG INTERIOR ASSEMBLY 9
SEALED SYSTEM ASSEMBLY 10



Appendix B:Parts Index

000207-002	2	009204-017	3
000268-000	3, 8	009204-018	3
000268-100	3, 8	009204-019	3
000270-000	8	009204-020	3
000570-000	6, 10	009204-021	3
003269-000	7	009204-022	3
003274-000	7	009204-023	3
003289-000	7	009204-024	3
003290-000	7	009204-025	3
003291-000	7	009204-026	3
003292-000	7	009204-027	3
003293-000	7	009207-002	8
003867-000	6	009207-003	8
004528-000	4, 9	009207-004	8
004551-000	4, 6, 9	009207-005	8
005319-000	1	009207-007	8
005396-000	1	009207-008	8
005451-000	8	009207-009	8
005452-000	3	009207-010	8
007302-000	4, 9	009207-011	8
007407-000	10	009207-012	8
007408-000	10	009207-013	8
007514-000	8	009207-014	8
007519-000	3	009207-015	8
009156-000	8	009207-016	8
009204-002	3	009207-017	8
009204-003	3	009207-018	8
009204-004	3	009207-019	8
009204-005	3	009207-020	8
009204-006	3	009207-021	8
009204-007	3	009207-022	8
009204-008	3	009207-023	8
009204-009	3	009207-024	8
009204-010	3	009207-025	8
009204-011	3	009207-026	8
009204-012	3	009207-027	8
009204-013	3	010093-000	9
009204-014	3	010492-000	1
009204-015	3	011666-000	10
009204-016	3	012312-000	9
		012809-000	9



012891-000	3, 8	C8982701	10
013328-000	3, 8	C8983701	5, 9
013332-000	3	C9097789BK	2
014334-000	6	F20915693	6
015365-000	1	F2096504	10
016181-000	8	F2096507	10
016182-000	3	F2097740	10
020117-000	4	F2099443	10
036888-000	3	F2099444	10
036890-000	8	G32910068	9
043156-000	4	G32913789	6
043623-000	9	G50911853	6
044232-000	9	G50915900	7
044370-000	6	G5096494	10
044384-000	9	G5098660	5
045689-000	9	G5099426	9
053308-000	5, 10	G5099965	9
058966-000	5	K20910060	1
060890-000	6	K20910061	1
060891-000	6	K20911831	6
10270203	4, 9	K20912569	10
10428101	5	K20912585	10
10527401	5	K20915000	1
10547001	10	K20915675	7
10623003	5	K20915952	6
10629001	5	K2096456	5
10699601	10	K2096457	5
10835901	10	K2096458	5
10916507D	10	K2096461	5
12064001	1	K2096943	10
12231701	4	K2098044	6
12258501	4	K2098096	6
12304301	4	K2098654	1
40370P01	2	K2099402	1
A3030361	1	K2099454	10
A3127415	4	K2099455	7
A3189370	5, 10	K2099458	7
A4554806	6, 7	K2099459	7
A4554817	1, 6	K2099460	7
B20915627	6	K2099461	7
C2097183	4	L20914124	6



L2097181	5	PD020010	6
L2097182	5	PD020013	1
L2099474	9	PD020043	3
L2099475	4	PD020188	4, 9
M0104102	6	PD020194	1, 4, 5, 6, 7
M0104106	1, 6, 6, 10	PD020195	9, 10
M0204303	3, 8	PD020233	7
M0210443	2	PD020234	3, 6, 8
M0210458	3, 8	PD020274	6
M0211014	5, 10	PD030118	10
M0211021	4, 9	PD030146	6
M0215318	2	PD040157	7
M0220417	6	PD050019	3, 8
M0221523	6, 10	PD920162	9
M0221913	4, 9	PD920174	3, 8
M0224128	1	PD940090	6
M0238535	4, 9	PD940091	6
M0238846	1	PD940094	6
M0253916	6, 7	PD940107	6
M0288120	1	PE010030	3
M0580007	4, 9	PE010068	3
M0585504	1	PE050248	6
M0585506	1	PE070728	1
PB020304	6	PE950125	4, 9
PB070355	7	PE950146	6
PB070360	7	PE950147	6
PB920171	10	PE950149	10
PB920201	10	PE970464	1
PB970171	7	PE970609	1
PC020278	8	PF031267	6
PC020279	3	PF930654	6
PC020288	6	PF930672	1
PC020289	6	PF930682	10
PC040010	1, 1, 6, 7	PJ910031	5
PC910015	6	PK050004	7
PC920144	6	PK910123	2
PC920145	6	PK930073	4
PC920149	6	PK930074	4
PC920166	6	PK930075	4
PC920193	10	PK930076	4
PC920203	10	PK930079	4



PK930086	4
PK930114	9
PK930115	9
PK930120	9
PK930123	8
PK930150	5
PK930170	9
PK930171	9
PK930172	9
PK930173	9
PK930174	9
PK930176	9
PK930230	1
PK930346	4, 9
PK930348	6
PM010616	10
PM010619	10
PM910190	4
PM910206	5
PM910227	9
PM910288	9
PM910334	9
PM910411	4