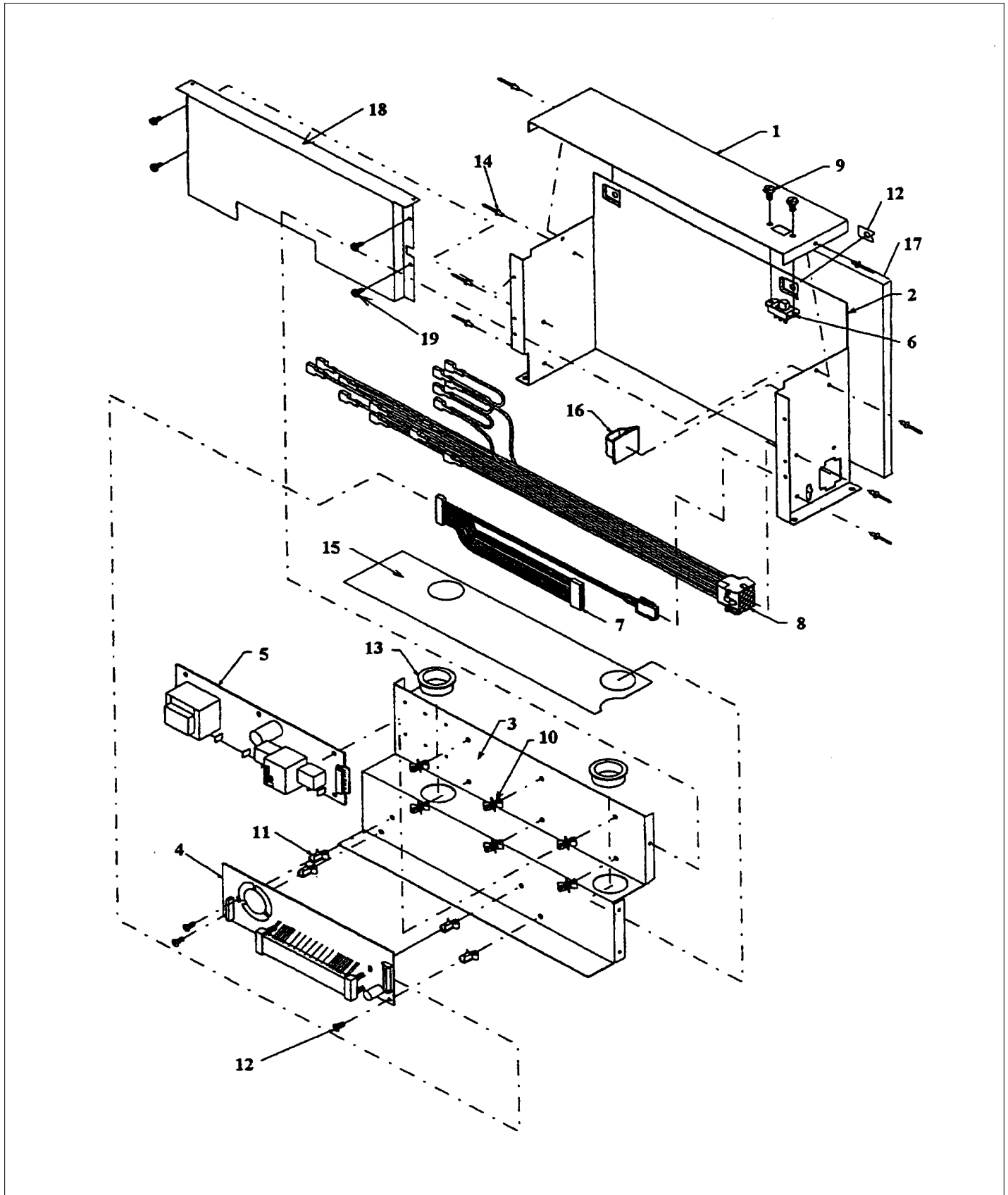


**VCSB483D**

CONTROL ASSY .....	1
DOOR SKIN MATRIX .....	2
EVAP AREA ASSY .....	3
FLOW CHART DEFROST .....	4
FLOW CHART NO COMPRESSOR .....	5
FREEZER DOOR ASSY .....	6
FREEZER DOOR SKIN ASSY .....	7
LADDERS .....	8
LOWER HINGES .....	9
REF DOOR ASSY .....	10
REF DOOR SKIN ASSY .....	11
ROLLERS .....	12
SHELVING .....	13
TOP HINGES .....	14
UPPER GRILLE .....	15
Appendix A:Pages Index .....	A
Appendix B:Parts Index .....	B

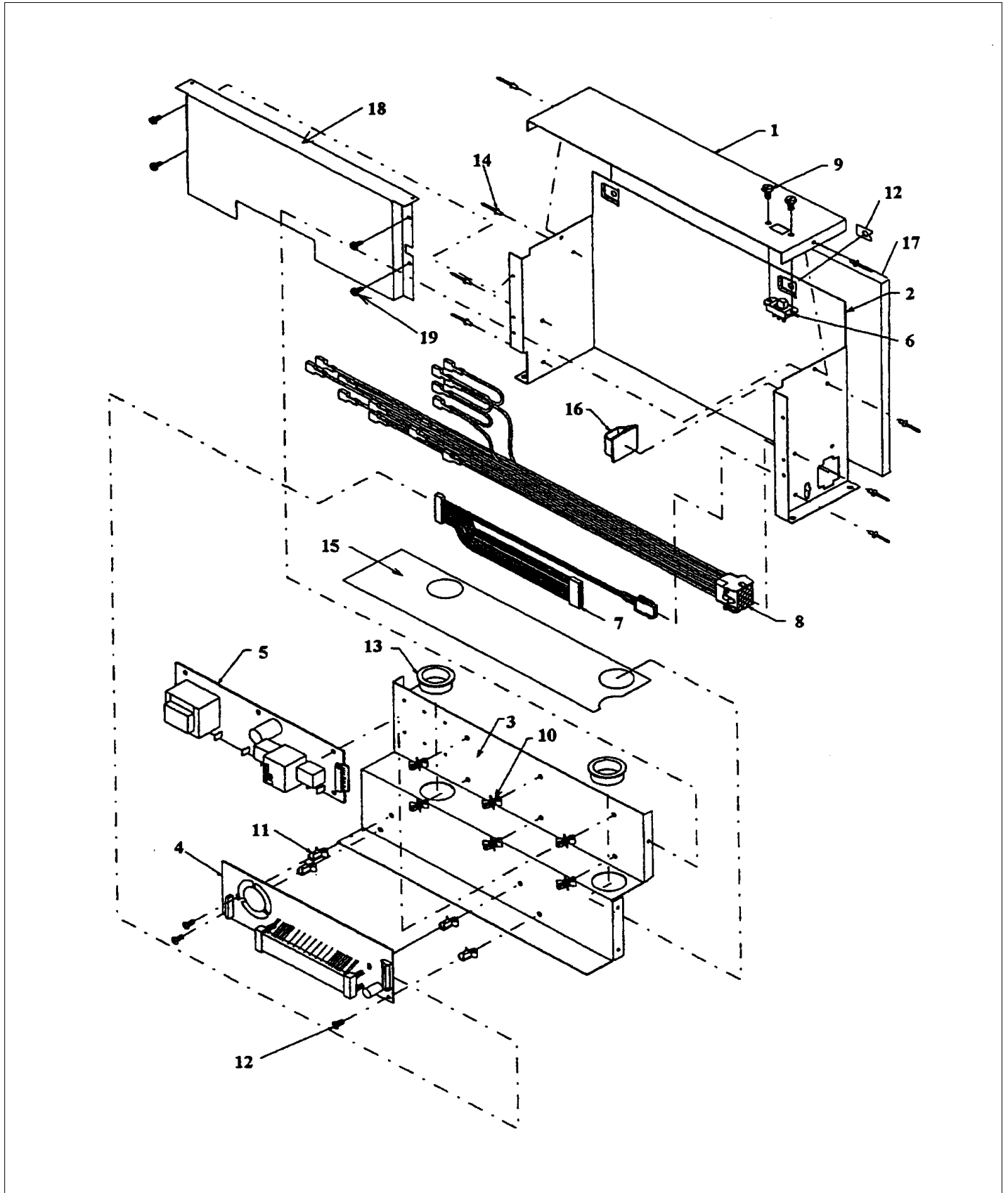


CONTROL ASSY





Item	Part No.	Name	Qty	Uom	NOTES
1	K2096429	SUB TO K2098657 - TOP-CONT BOX 12090801		EA	NO LONGER AVAILABLE
2	K2097709	BOX CONTROL		EA	NO LONGER AVAILABLE
3	K2096430	BRKT-PC 12090901		EA	NO LONGER AVAILABLE
4	002670-000	LOW VOLTAGE BOARD KIT W/HARNESS		EA	
Comments for Part Num. 002670-000  boltz on Apr 12, 2018 See TR-0022-SP Bulletin					
Not Shown	NOTE	BEFORE 01/22/05		EA	
Not Shown	PE070728	BOARD LOW VOLTAGE		EA	
Comments for Part Num. PE070728  bradleysapplianceservice@shaw.ca on Apr 27, 2016 COULD ALSO USE: 002670-000 LOW VOLTAGE BOARD KIT ANALOG - INCLUDES WIRE HARNESS					
Not Shown	NOTE	ON OR AFTER 01/22/05		EA	
5	005319-000	POWER CONTROL BOARD ASM 5 SERIES		EA	
Comments for Part Num. 005319-000  boltz on Apr 12, 2018 See TR-0056-SP Bulletin					
6	10544502	SWITCH-SLIDE GRN		EA	
7	PE970464	HARNESS LOW VOLT 5 SERIES		EA	
Not Shown	NOTE	(For Kit LV Board Only)		EA	
8	PE970609	HARNESS CONTROL BOARD 5 SERIES		EA	
Not Shown	NOTE	(For PE970363 Only)		EA	
9	M0223816	SCREW-TR		EA	NO LONGER AVAILABLE
10	M0585504	SUPPORT		EA	





Item	Part No.	Name	Qty	Uom	NOTES
11	M0585506	SUPPORT		EA	
12	PD020013	TYPE "AB" #6 X 3/8 PH PAN HD. SMS		EA	
13	A4554817	BUSHING-SNAP VA4554817		EA	
14	A4539601	DAMPER-TUBING .8		EA	Not available online / Call for pricing and availability
15	12117201	FILM-PROTECTIVE		EA	NO LONGER AVAILABLE, Not available online / Call for pricing and availability
16	M0104106	CLIP-CORD VM0104106		EA	
17	12074703	INSUL-CONT BOX V12074703		EA	NO LONGER AVAILABLE, Not available online / Call for pricing and availability
18	K2096431	FRONT-CONT PANEL 12091001		EA	
19	M0238616	SCREW, SMALL		EA	
20	M0288120	NUT-SPEED VM0288120		EA	

DOOR SKIN MATRIX

REFRIGERATOR/FREEZER DOOR SKIN MATRIX						
Model	*FRZ Door Viking Part Number	Handle Location	Hinge Version	*REF Door Viking Part Number	Handle Location	Hinge Version
VCSB423-Professional 42" SxS	B/L2099428 and C9099428	See Figure 1-Previous	Cobra	B/L2099427 and C9099427	See Figure 1-Previous	Cobra
VCSB423-Professional 42" SxS	B/L2099994 and C9099994	See Figure 2-Current	Cobra	B/L2099993 and C9099993	See Figure 2-Current	Cobra
VCSB423D-Professional 42" SxS Dispenser	B/L2099009 and C9099009	See Figure 1-Previous	Cobra	B/L2099427 and C9099427	See Figure 1-Previous	Cobra
VCSB423D-Professional 42" SxS Dispenser	B/L20911393 and C20911393	See Figure 2-Current	Cobra	B/L2099993 and C9099993	See Figure 2-Current	Cobra
VCSB482-Professional 48" SxS	B/L2096939 and C9096939	See Figure 1-Previous	Extrusion/Plate	B/L2096940 and C9096940	See Figure 1-Previous	Extrusion/Plate
VCSB483-Professional 48" SxS	B/L2096939 and C9096939	See Figure 1-Previous	Extrusion/Plate	B/L2096940 and C9096940	See Figure 1-Previous	Extrusion/Plate
VCSB483-Professional 48" SXS (G-series)	B/L20913724 and C90913724	See Figure 2-Previous	Cobra	B/L20913723 and C90913723	See Figure 2-Previous	Cobra
VCSB483-Professional 48" SXS (H-series)	B/L20910040 and C90910040	See Figure 2-Current	Cobra	B/L20910039 and C90910039	See Figure 2-Current	Cobra
VCSB483D-Professional 48" SxS Dispenser	B/L2098301 and C9098301	See Figure 1-Previous	Extrusion/Plate	B/L2096940 and C9096940	See Figure 1-Previous	Extrusion/Plate
VCSB483D-Professional 48" SxS Dispenser	B/L2099992 and C9099992	See Figure 2-Current	Extrusion/Plate	B/L2099991 and C9099991	See Figure 2-Current	Extrusion/Plate
VCSB483D-Professional 48" SXS Dispenser (H-series)	B/L20913006 and C90913006	See Figure 2-Current	Cobra	B/L20910039 and C90910039	See Figure 2-Current	Cobra
	*LEFT Door Viking Part Number	Handle Location	Hinge Version	*RIGHT Door Viking Part Number	Handle Location	Hinge Version
VCFB364-Professional 36" All Freezer	**B/L2098381 and C9098381	See Figure 2-Current	Cobra	**B/L2098383 and C9098383	See Figure 2-Current	Cobra
VCRB364-Professional 36" All Refrigerator						
VCFB304-Professional 30" All Freezer	**B/L2099067 and C9099067	See Figure 2-Current	Cobra	**B/L2099069 and C9099069	See Figure 2-Current	Cobra
VCRB304-Professional 30" All Refrigerator						

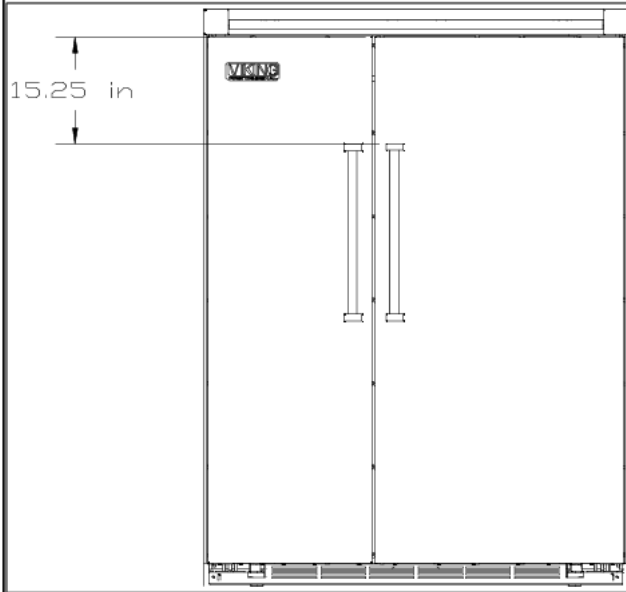


FIGURE 1-PREVIOUS HANDLE LOCATION DIMENSION

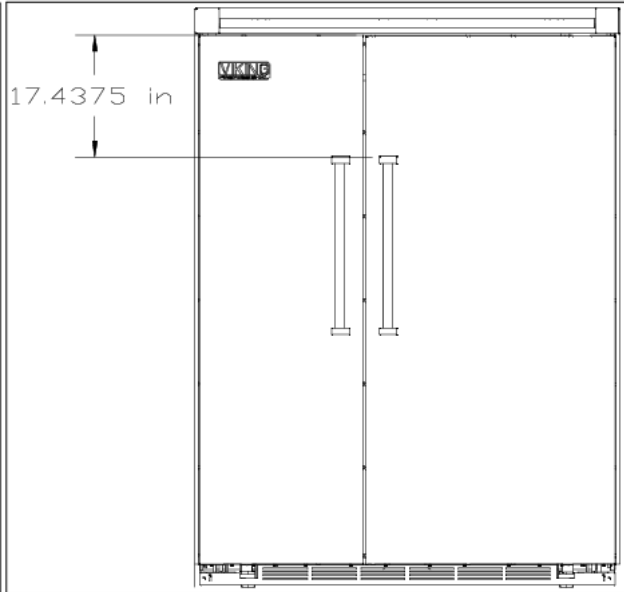
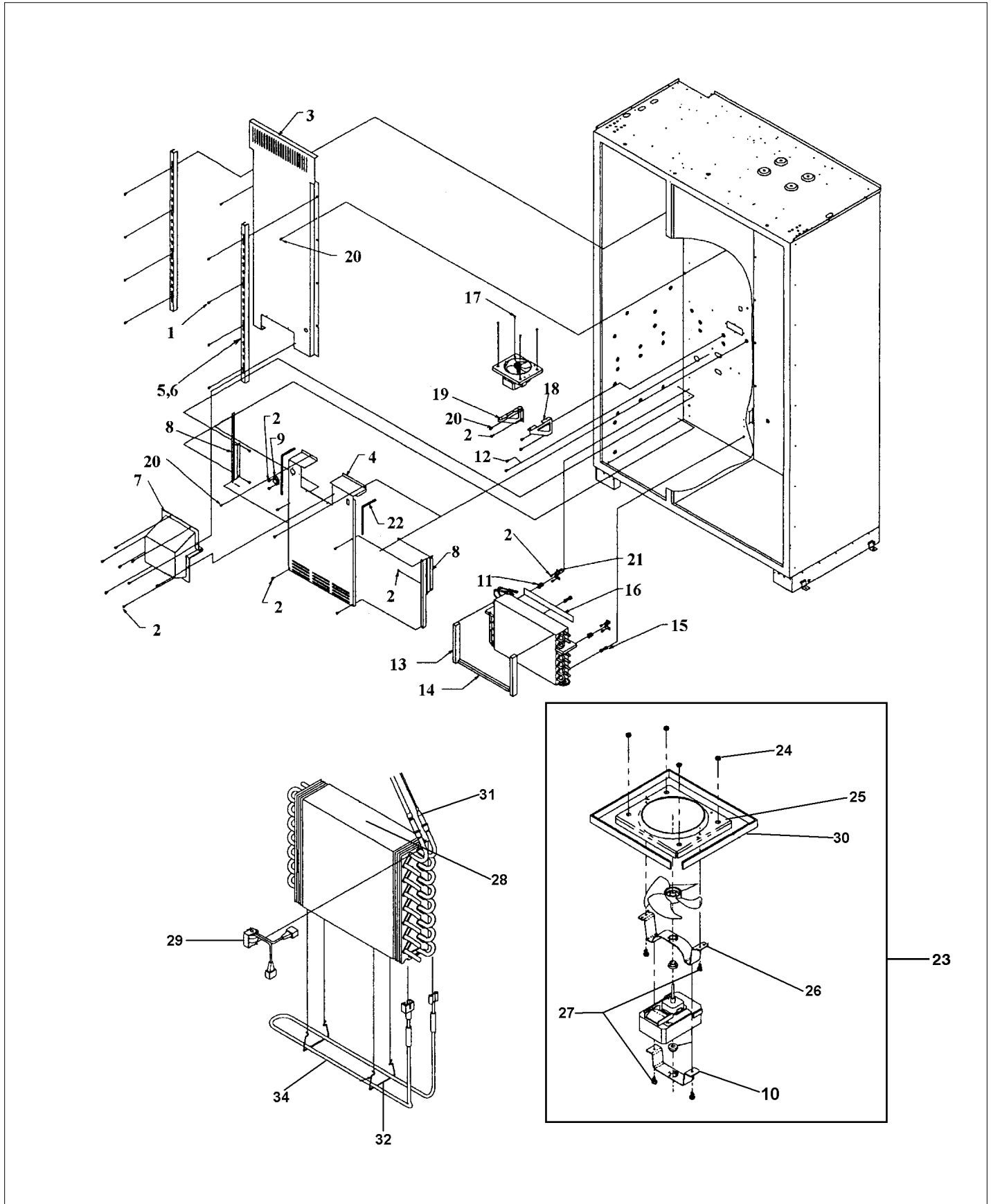


FIGURE 2-CURRENT HANDLE LOCATION DIMENSION

**NOTES:**  
 \* B = Stainless Steel, C = Painted, all colors except WH and BK, L = Prepainted WH and BK  
 \* Color code must be added for all parts except "B/Stainless Steel"

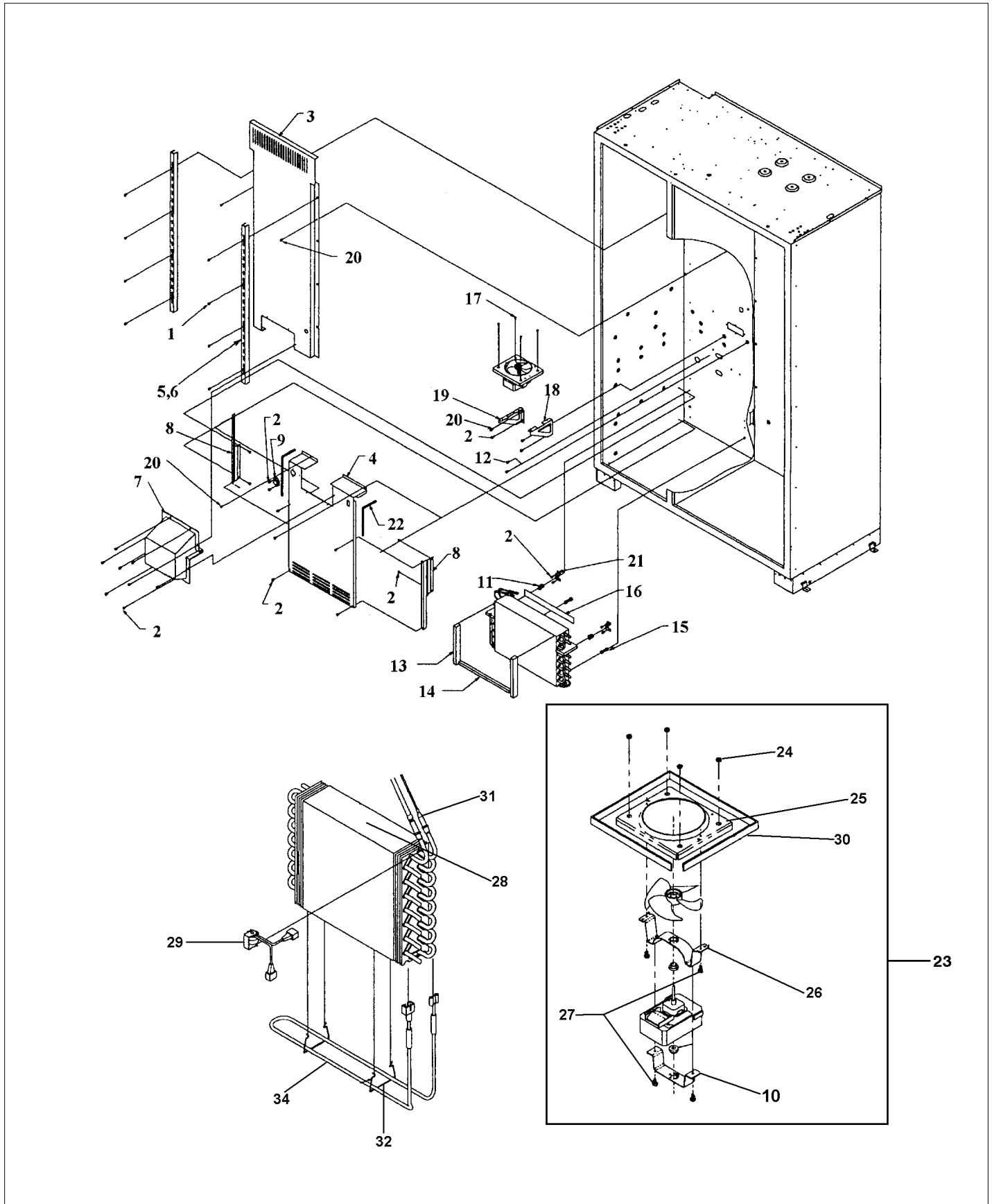


EVAP AREA ASSY





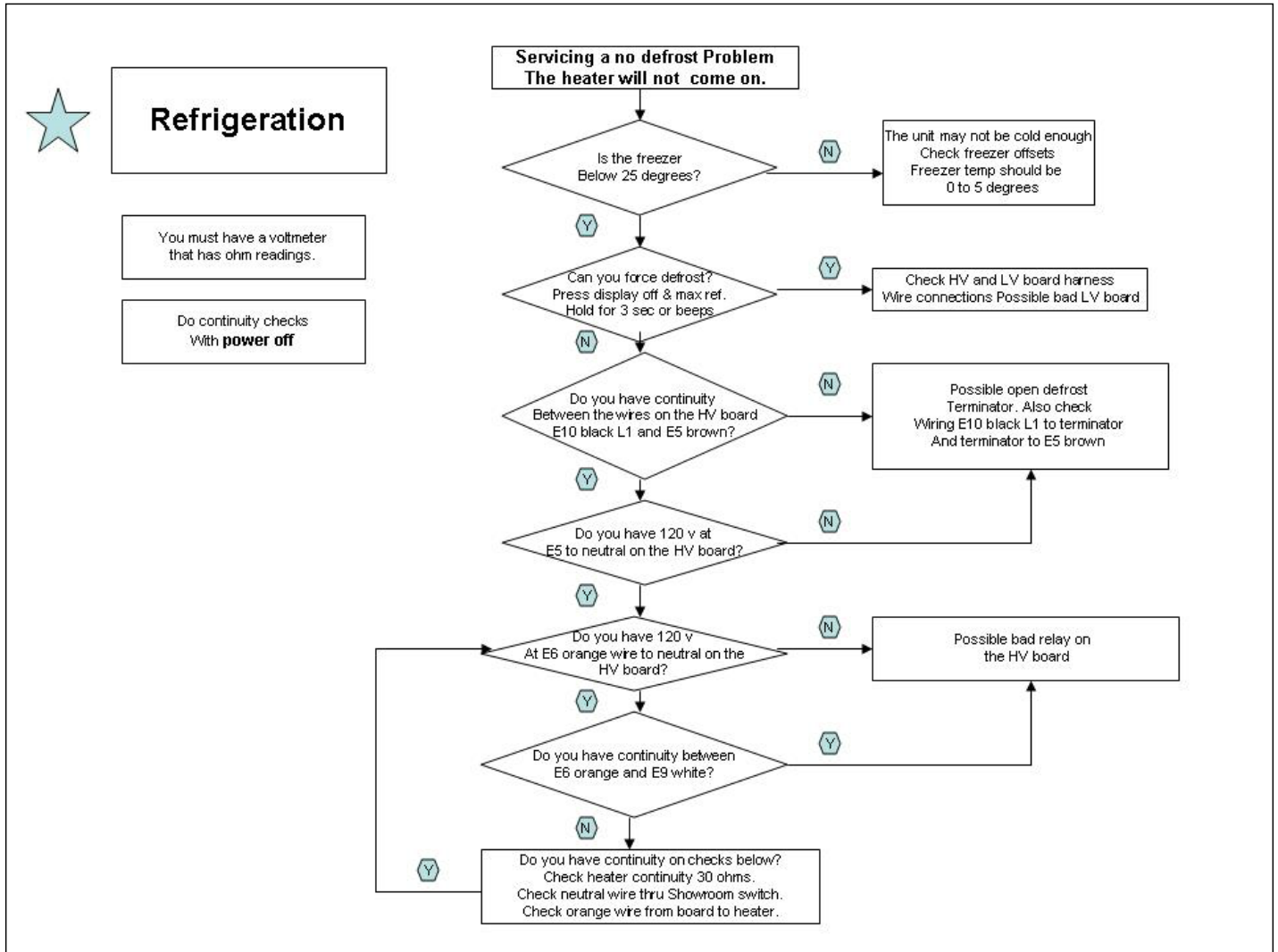
Item	Part No.	Name	Qty	Uom	NOTES
1	M0232903	SCREW-SE	1	EA	NO LONGER AVAILABLE
2	M0238616	SCREW, SMALL	1	EA	
3	L2097181	COVER EVAP UPPER SXS 48	1	EA	
4	L2097182	COVER EVAP LOWER SXS 48	1	EA	
5	12231701	LADDER-FZ L/R SIDE 42/48	1	EA	
6	12233801	GASKET-FZ LADDER	1	EA	NO LONGER AVAILABLE, Not available online / Call for pricing and availability
7	PK930150	COVER CTR EVAP SXS	1	EA	
8	K2096461	BRKT-EVAP COVER 12234801	1	EA	
9	C8983701	THERMISTOR	1	EA	
10	L2196411	BRACKET, EVAPORATOR FAN	1	EA	Not available online / Call for pricing and availability
11	10623003	CLIP-EVAP	1	EA	
12	M0232903	SCREW-SE	1	EA	NO LONGER AVAILABLE
13	A3030361	GASKET RED	1	EA	
14	A3030303	GASKET	1	EA	
15	10527401	CLIP-EVAP	1	EA	
16	A3189370	GASKET-FOAM VA3189370	1	EA	
17	M0238859	SCREW-SHLDR	1	EA	
18	K2096457	BRKT-R-EVAP FAN 12223101	1	EA	
19	K2096458	BRKT-L-EVAP-FAN 12223102	1	EA	
20	M0232929	SCREW-SE	1	EA	
21	K2096456	BRKT-EVAP CLIP 12215101	1	EA	
22	A3189368	GASKET-FOAM VA3189368	1	EA	
23	G5098660	FAN EVAP ASM PANASONIC	1	EA	
24	12234001	GROMMET-VIBRATION	1	EA	
25	PM910169	SHROUD EVAP FAN	1	EA	
26	K2196412	BRKT-MTR/SHROUD 10771801	1	EA	NO LONGER AVAILABLE, Not available online / Call for pricing and availability



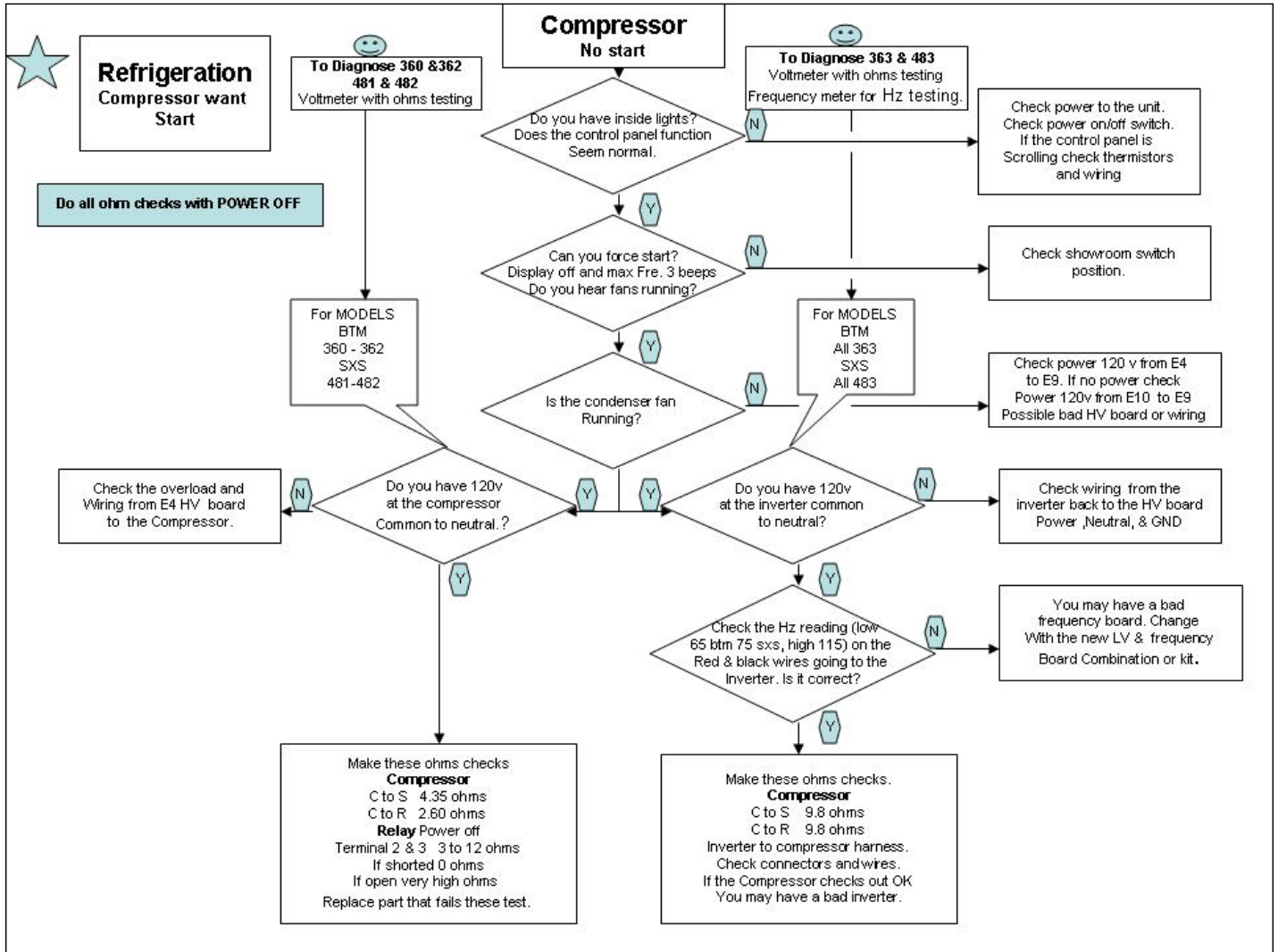


Item	Part No.	Name	Qty	Uom	NOTES
27	M0224416	SCREW-SM	1	EA	
28	PM910206	EVAPORATOR SXS 48	1	EA	
29	058966-000	THERMOSTAT, SNAP ACTION, 55 OPEN 20 CLOSE	1	EA	
30	A3030302	GASKET GRN SL	1	EA	
31	PB920155	HEAT EXCHANGER ASM SXS 48	1	EA	
32	10428101	CLIP-EVAP HTR V10428101	1	EA	
33	A1017202	GROMMET-FAN VA1017202	1	EA	
34	PJ910031	HEATER EVAP SXS	1	EA	

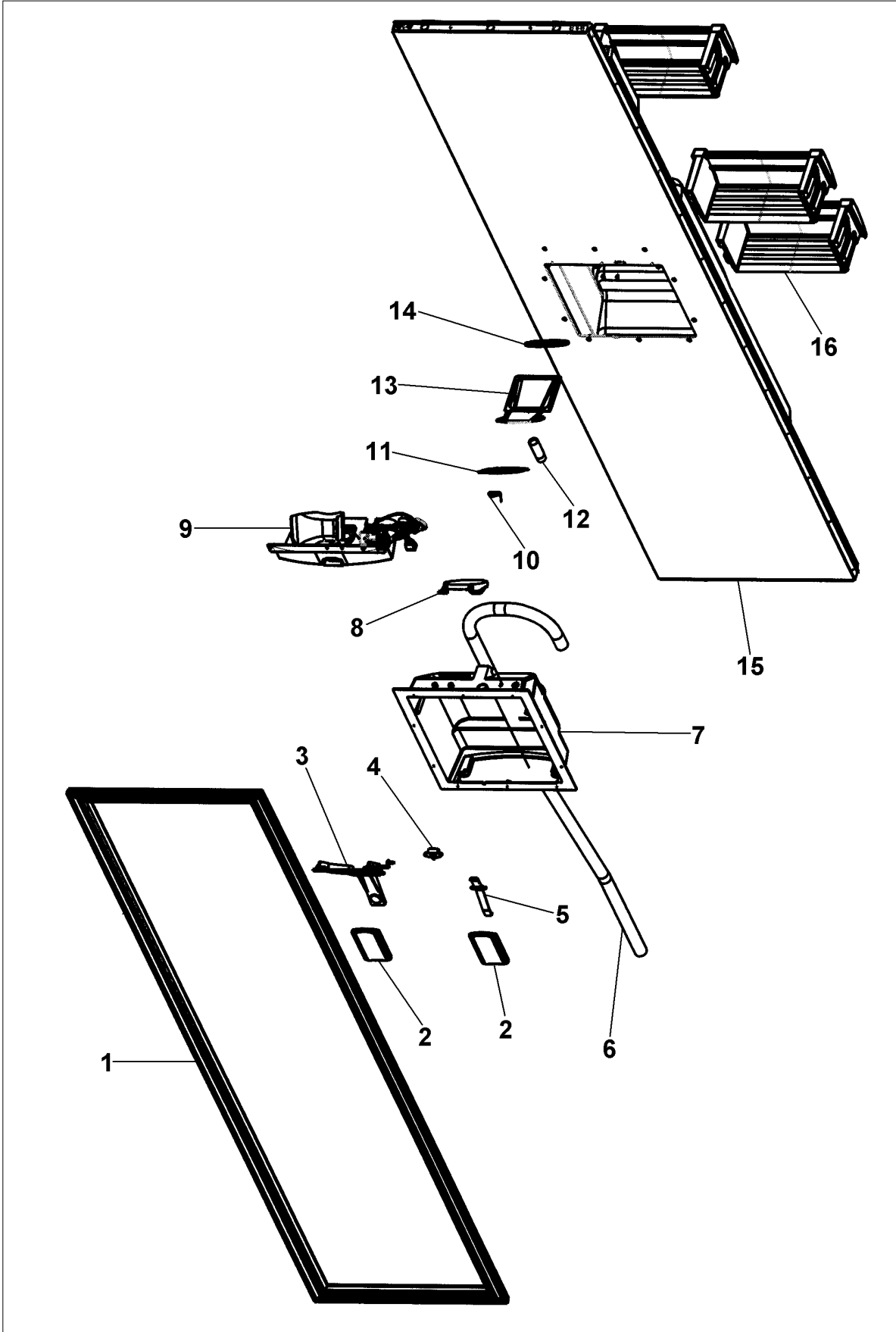
FLOW CHART DEFROST



FLOW CHART NO COMPRESSOR



FREEZER DOOR ASSY

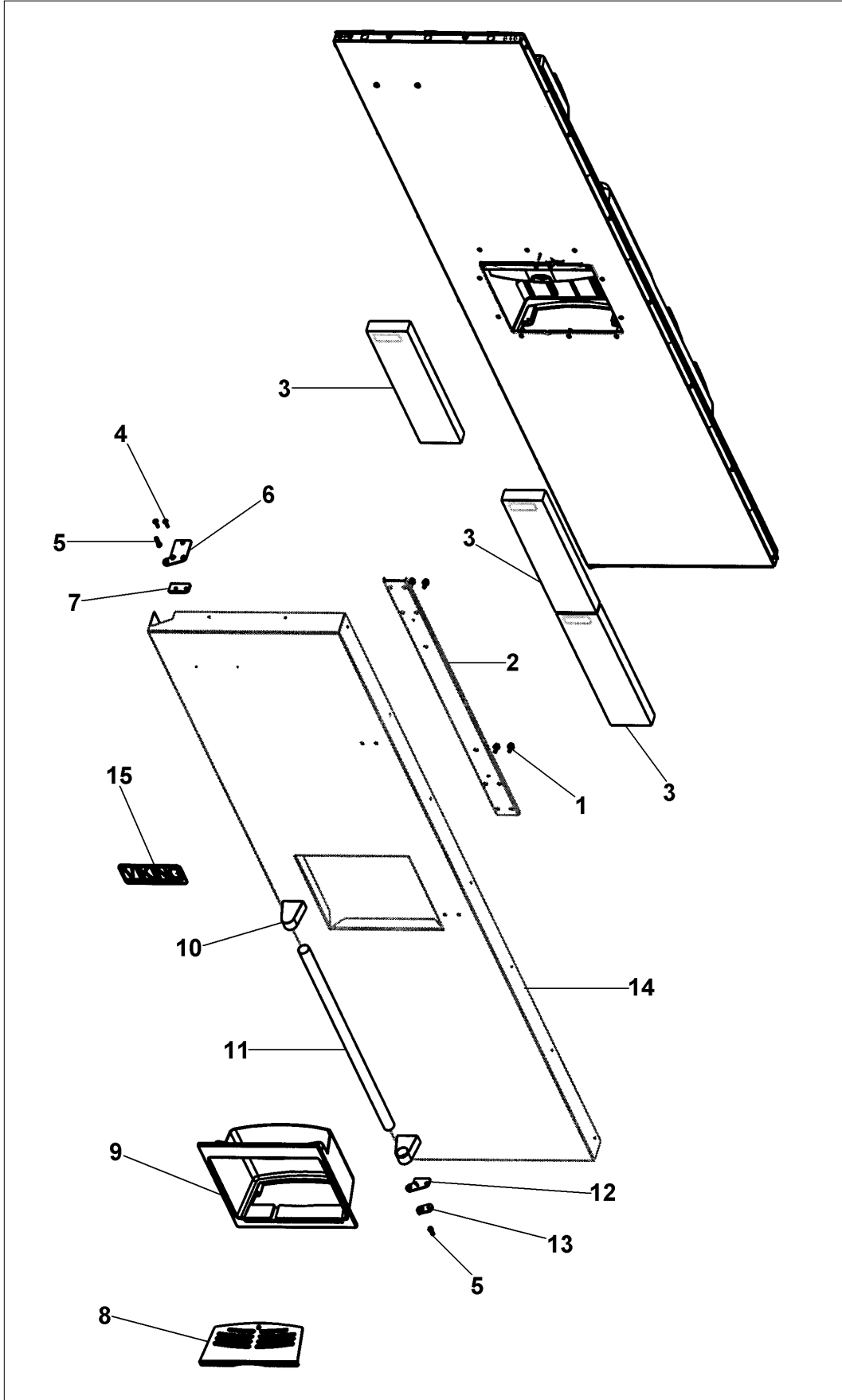




Item	Part No.	Name	Qty	Uom	NOTES
1	PB070295	DOOR GASKET, 48 SXS FZ SIDE CHARGE		EA	
2	V12221005	PAD - E ACTUATOR (BLK)		Wholesale Price	
3	PK930383	Arm, Ice Dispenser		EA	
4	PE950152	SWITCH SLIDE		EA	
5	V12220301	ARM, WATER DISPENSER		EA	
6	PK930273	TUBE WIRE		EA	NOT FIELD REPLACEABLE
7	12348402	CAVITY DISPENSER		EA	
8	PK930381	DOOR DISPENSER		EA	
9	PE070866	DISPENSER CAVITY ASSEMBLY		EA	
Comments for Part Num. PE070866					
bradleysapplianceservice@shaw.ca on Apr 30, 2018					
SUBS TO: PE070866 DISPENSER CAVITY ASSY					
Not Shown	NOTE	Includes Switches		EA	
10	PC010021	SPRING DISP. DOOR		EA	
11	PK930401	DEFLECTOR-ICE		EA	
12	PK930274	TUBE CONNECTOR		EA	
13	12348201	Ice Chute		EA	
14	12193801	GASKET - ICE DR		EA	
15	G3297574	FREEZER DOOR ASSEMBLY		EA	NO LONGER AVAILABLE
16	036888-000	DOORBIN ASM SXS FZ		EA	
NI	PE970428	HARNESS - FZ DR		EA	
NI	013685-000	SLIDE SWITCH CAP (GRAY)		EA	
NI	PE950158	Motor Auger		EA	
NI	PE970484	HEATER CAVITY		EA	
NI	G50911859	Dispenser Line Sleeve Protector Kit		EA	
NI	PB020302	PLASTIC TUBING-DOOR WATERLINE SXS DISP		EA	



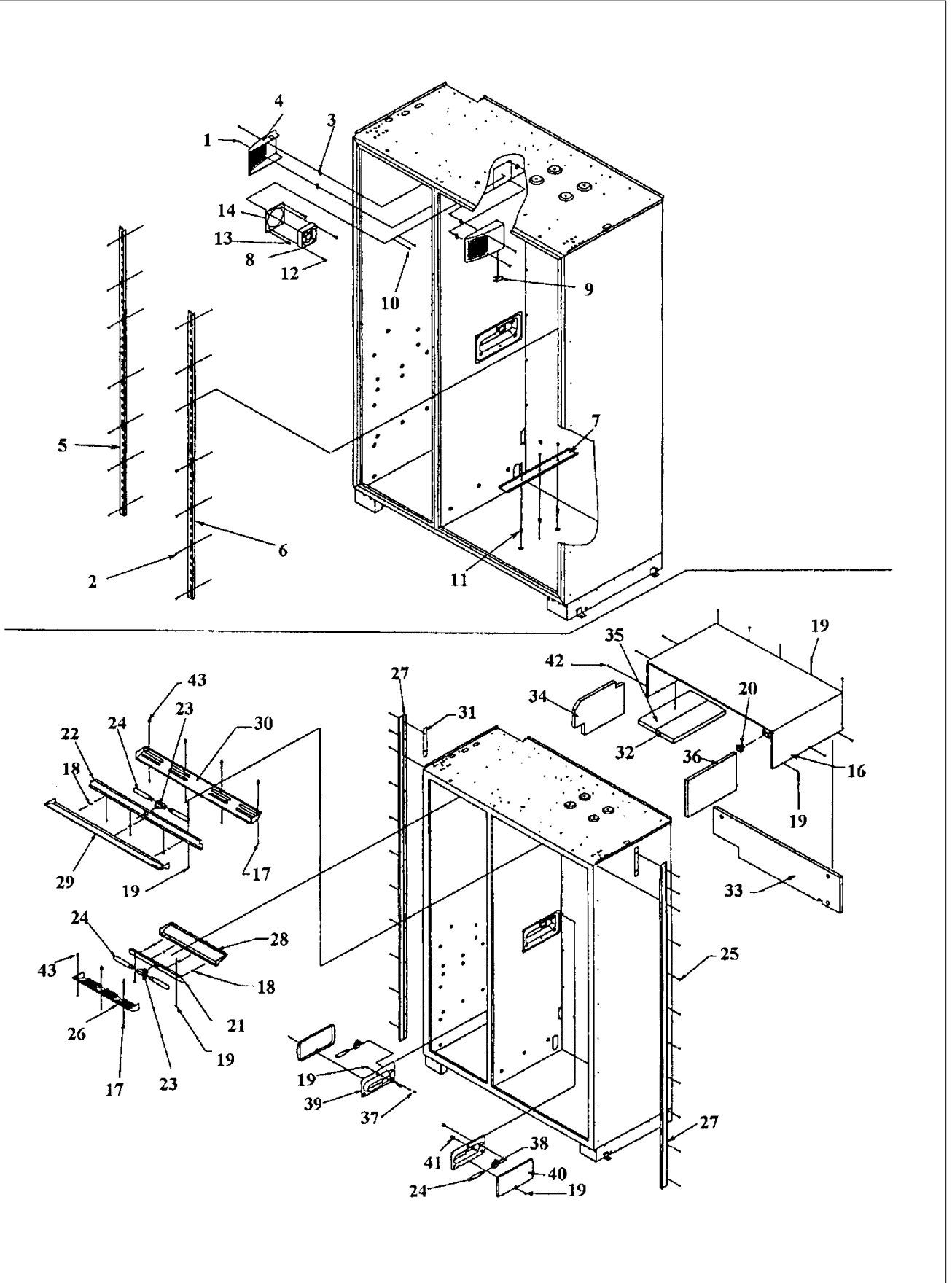
FREEZER DOOR SKIN ASSY





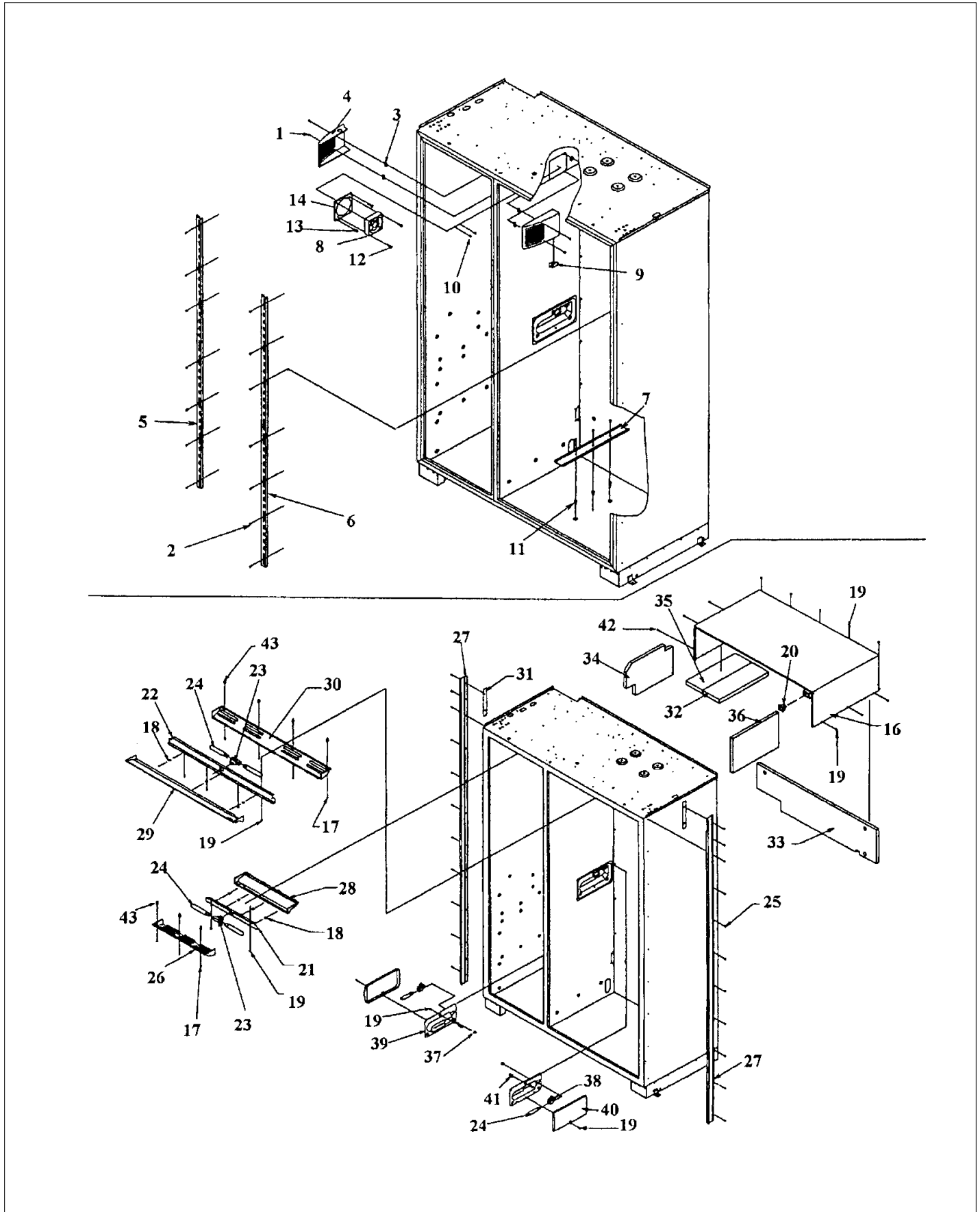
Item	Part No.	Name	Qty	Uom	NOTES
1	M0204303	SCREW-MACH	1	EA	
2	K2097526	Bracket, Handle Support (Frz.)	1	EA	
3	10921223	Foam Block EPS - Frz. Door	1	EA	Not available online / Call for pricing and availability
4	M0226233	SUB TO PD920174 - 10 X 7/8 PHILLIPS SMA TRI LOBE SA	1	EA	
5	12043101S	PIVOT PIN	1	EA	Not available online / Call for pricing and availability
6	PC920159	PLATE PIVOT ASM LH UPPER	1	EA	
7	M6096628	SPCR HINGE REP V12530201/V12493901	1	EA	
8	PB980023	SPILL TRAY - I/W DISPENSER	1	EA	
9	011673-000	BEZEL I/W DISPENSER PRO	1	EA	
10	000268-000	HANDLE ENDCAP	1	EA	
Not Shown	PE030001PVD	END CAP DOOR HANDLE *BR	1	EA	
11	PE930101	VCSB482 HANDLE -(12466403)	1	EA	
Not Shown	PE030044PVD	CNPY HDLE 41/53 PVD F0005408	1	EA	NO LONGER AVAILABLE
12	PC920052	HINGE TAP L LW REP V12119504 (LOWER LEFT PIVOT PLATE)	1	EA	
13	PC020296	CAM DOOR CLOSURE TOP BLACK	1	EA	
14	SEE MATRIX	DOOR SKIN	1	EA	
15	PE010030	LOGO	1	EA	
Not Shown	PE010031	LOGO 6" (VGRC) *BK/WH*	1	EA	NO LONGER AVAILABLE
Not Shown	PE010068	LOGO 6" (VGRC) BK/BR	1	EA	
Not Shown	PE010076	LOGO 6" (VGRC) *BR/WH*	1	EA	NO LONGER AVAILABLE

LADDERS



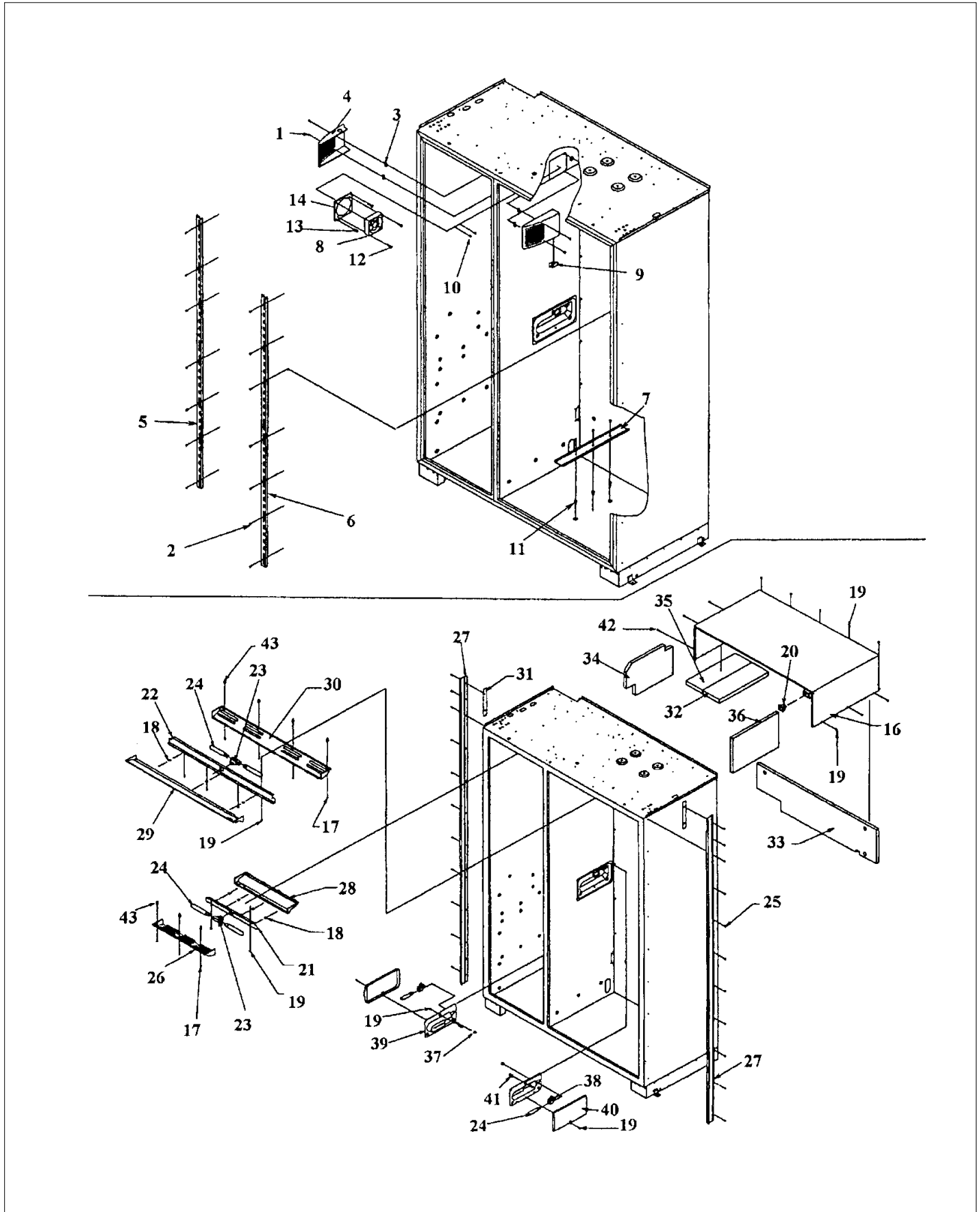


Item	Part No.	Name	Qty	Uom	NOTES
1	M0221913	SCREW-SM	1	EA	
2	M0238535	SCREW-SM	1	EA	
3	M0288120	NUT-SPEED VM0288120	1	EA	
4	PK930085	COVER FAN SXS 48 FF	1	EA	
Not Shown	PK930086	COVER FAN SXS 48 FZ	1	EA	
5	PK920023	LADDER FF L	1	EA	NO LONGER AVAILABLE, Not available online / Call for pricing and availability
6	PK920024	LADDER FF R	1	EA	
7	12118901	TRACK-DELI DRAWER	1	EA	
8	004551-000	AXIAL FAN	1	EA	
<p>Comments for Part Num. 004551-000</p> <p>gboltz@VikingRange.com on Jul 21, 2016</p> <p>View service bulletin TR-0052-SP before ordering fan, if applicable order kit instead of fan</p>					
9	C8983701	THERMISTOR	1	EA	
10	M0232903	SCREW-SE	1	EA	NO LONGER AVAILABLE
11	M0581001	GROMMET-SCREW VM0581001	1	EA	
12	M0218136	SCREW-SM	1	EA	NO LONGER AVAILABLE, Not available online / Call for pricing and availability
13	M0218137	SCREW-SM	1	EA	
14	K2096475	FAN MOUNTING PLATE	1	EA	
15	12102501	RET-HARNESS	1	EA	
Not Shown	M0321202	TIE-ELEC	1	EA	
16	G3096496	MC COVER WELD 12213401	1	EA	NO LONGER AVAILABLE
17	M0238846	SCREW-SHLDR	1	EA	
18	M0108201	CLIP-S	1	EA	NO LONGER AVAILABLE
19	M0238616	SCREW, SMALL	1	EA	
20	PE950149	SWITCH POWER	1	EA	





Item	Part No.	Name	Qty	Uom	NOTES
21	L2098313	BRACKET, LT, 36 BTM, FZ	1	EA	
22	L2098309	BRKT REF LIGHT	1	EA	NO LONGER AVAILABLE, Not available online / Call for pricing and availability
23	PE950125	LIGHT SOCKET	1	EA	
24	004528-000	LAMP, 40 WATT CLEAR LIGHT	1	EA	
25	M0220417	SCREW-TC	1	EA	
26	PK930077	LENS LIGHT SXS 48 FZ	1	EA	NO LONGER AVAILABLE
27	B2096406	RETAINER, CABINET - SS	1	EA	
Not Shown	C2096406	SUB TO C9396406BR	1	EA	NO LONGER AVAILABLE, Not available online / Call for pricing and availability
28	PK930078	COVER LIGHT SXS 48 FZ	1	EA	NO LONGER AVAILABLE
29	12184401	COVER, REFRIGERATOR LIGHT - NLA	1	EA	
30	12184501	LENS, REFRIGERATOR LIGHT	1	EA	Not available online / Call for pricing and availability
31	12135402	SHIM-CAB TRIM	1	EA	
NI	003471-000	SWITCH SNAP-ACTION BM 36	1	EA	
32	12074701	INSUL-MC CVR V12074701	1	EA	
33	12184901	INSUL-BACK MC CVR	1	EA	Not available online / Call for pricing and availability
34	12074601	INSUL-L MC CVR V12074601	1	EA	
35	12074704	INSUL-MC CVR	1	EA	
36	12074702	INSUL-R MC CVR V12074702	1	EA	
37	B5733302	CLIP-GROUND	1	EA	
38	10281601	SOCKET-SGL LIGHT	1	EA	
39	10270203	HOUSING-LIGHT V10270203	1	EA	
40	10270101	COVER, LIGHT	1	EA	
41	M0580007	GROMMET-SCREW	1	EA	

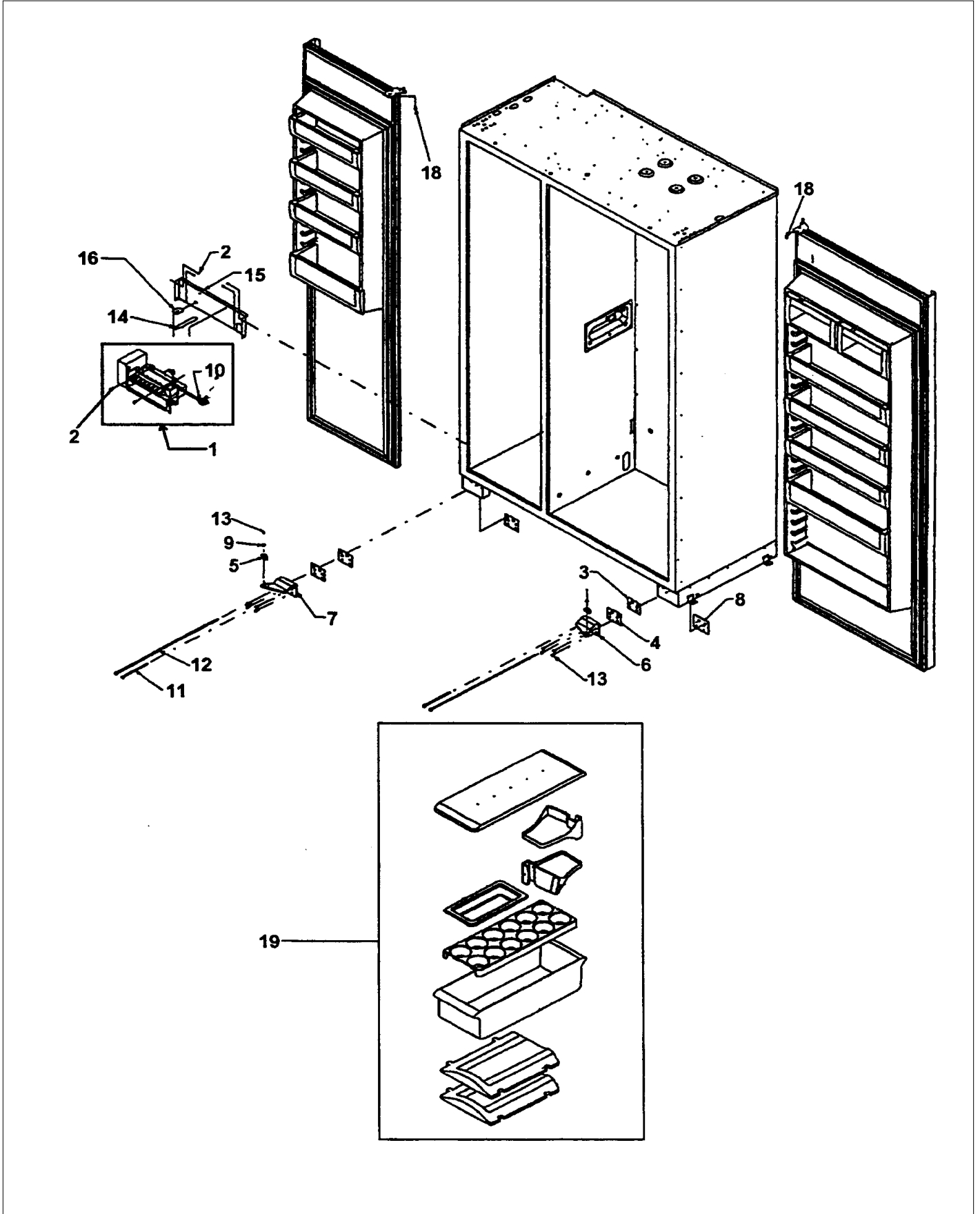




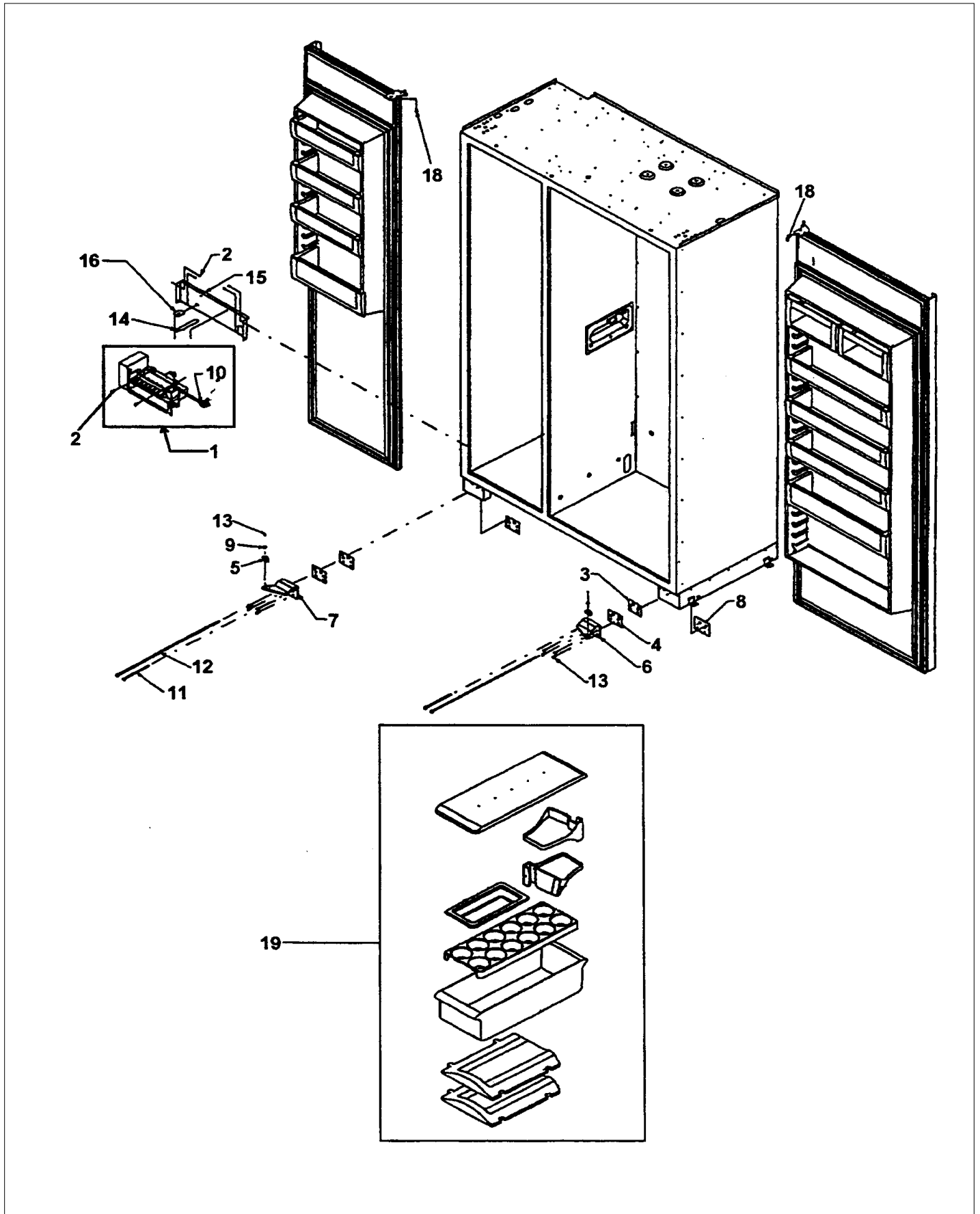
Item	Part No.	Name	Qty	Uom	NOTES
42	A4539601	DAMPER-TUBING .8	1	EA	Not available online / Call for pricing and availability
43	M0581001	GROMMET-SCREW VM0581001	1	EA	



LOWER HINGES



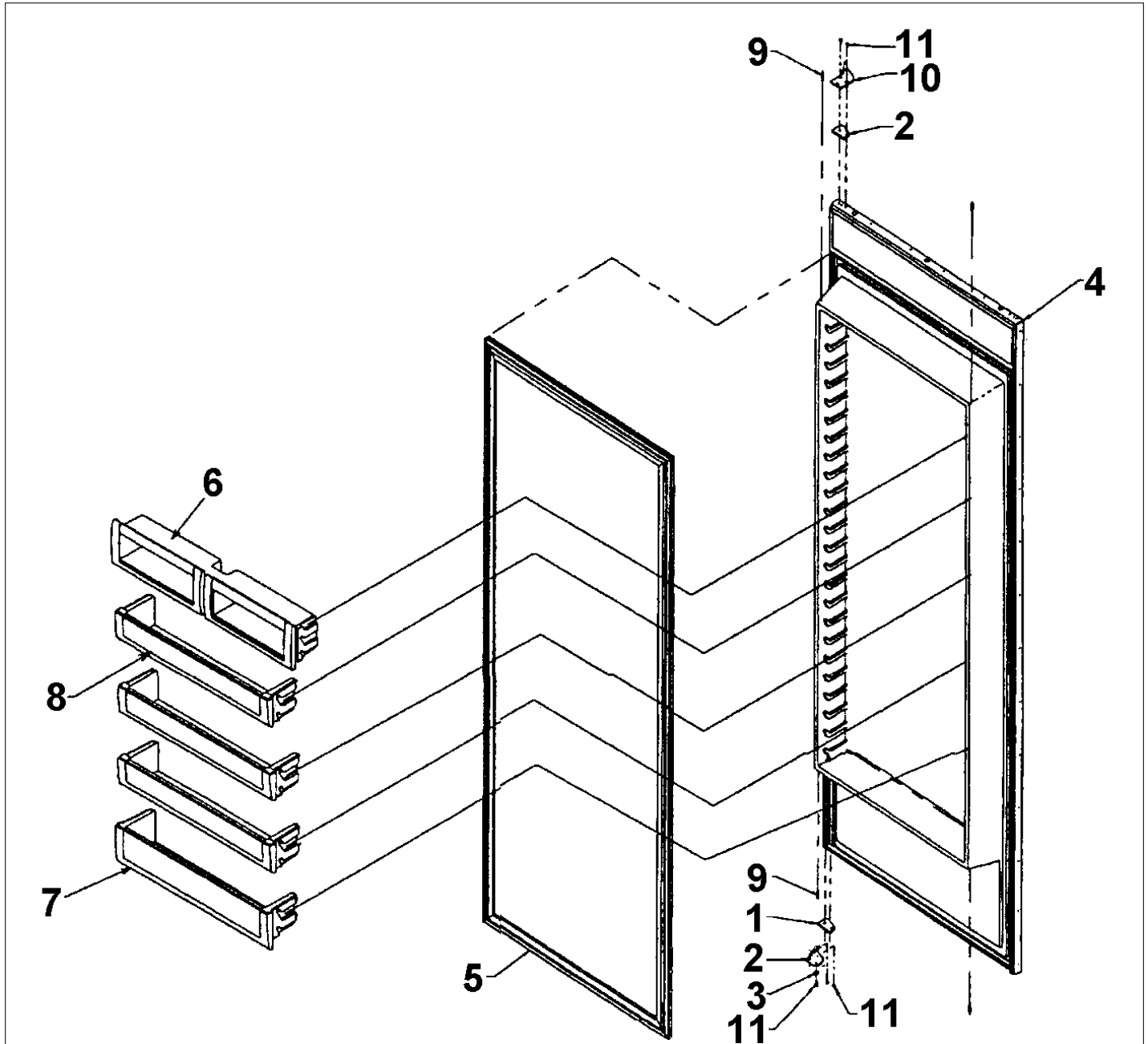
Item	Part No.	Name	Qty	Uom	NOTES
1	G50911858	ICE MAKER ASM, NLA, order components, see TR-0023C-SP	1	EA	NO LONGER AVAILABLE
<p>Comments for Part Num. G50911858</p> <p>jennifer@thetrend.com on Feb 12, 2016            It would be nice to have the ice maker in the right location. Even better if it gave the right part number.</p> <p>vharding68@verizon.net on Mar 16, 2016            Doesn't matter where it is or the part number....There has been a bulletin on these ice makers since November of 2007 (Btw...it is superseded by another bulletin that is prior to that date).            Bulletin number TR-0023B-SP</p> <p>Val @ bob's, pa            bradleysapplianceservice@shaw.ca on Sep 1, 2016            SERVICE BULLETIN: TR-0023B-SP            SUBS TO:            002252-000 ICE MAKER MODULE            002251-000 ICE MAKER BAIL ARM            002253-000 ICE MAKER WIRE HARNESS</p> <p>platinumcares@aol.com on Dec 4, 2017            i/m assy #002252-000            wire harness 002253-000            arm # 002251-000</p> <p>you will need all three</p>					
2	M0238616	SCREW, SMALL	1	EA	
3	K2096449	SHIM-LOWER HINGE 12198501	1	EA	
4	K2096450	SHIM-LOWER HINGE 12198502	1	EA	
5	PC020231	CAM DOOR CLOSURE TOP WHITE	1	EA	
6	PC920060	LOWER HINGE ASSY - RH (S X S)	1	EA	
7	PC920061	LOWER HINGE LH VCSB482	1	EA	
8	PK900026	PLATE-BOTTOM HINGE SUPPORT SXS	1	EA	
9	M0272803	WASHER-LOCK	1	EA	
10	M0321202	TIE-ELEC	1	EA	
11	M0204339	SCREW-ADJ ROLLER VM0204339	1	EA	





Item	Part No.	Name	Qty	Uom	NOTES
12	10093305	SCREW-ADJ ROLLER V10093305	1	EA	
13	M0202528	SCREW-MACH #	1	EA	
14	A3127415	EXT-FILL TUBE	1	EA	
15	C2097183	SUPPORT IM ND SXS 48	1	EA	
16	K2096464	BKT-ND IM 12265501	1	EA	
17	M0238734	SCREW-TF	1	EA	NO LONGER AVAILABLE
18	M0220928	SCREW, SHOULDER	1	EA	
NI	10526701	CLAMP-WIRE V10526701	1	EA	
NI	G50910009	GRILLE TOE ASM COMPLETE 48 DISP	1	EA	
NI	M0270510	WASHER #	1	EA	
19	019244-000	ACCESSORY, ASM	1	EA	
NI	PC920050	HNGE TP RLW VCBB360RSS RE V12119503 (LOWER RIGHT PIVOT PLATE)	1	EA	
NI	PC920052	HINGE TAP L LW REP V12119504 (LOWER LEFT PIVOT PLATE)	1	EA	
NI	K1096533	SHIM-HINGE HALF	1	EA	
NI	PM910465	WATER FILTER	1	EA	
Not Shown	NOTE	MUST HAVE INSTALLED G50911813 KIT BEFORE		EA	
Not Shown	NOTE	PM910465 CAN BE USED ON UNITS MADE BEFORE 7/19/04.		EA	

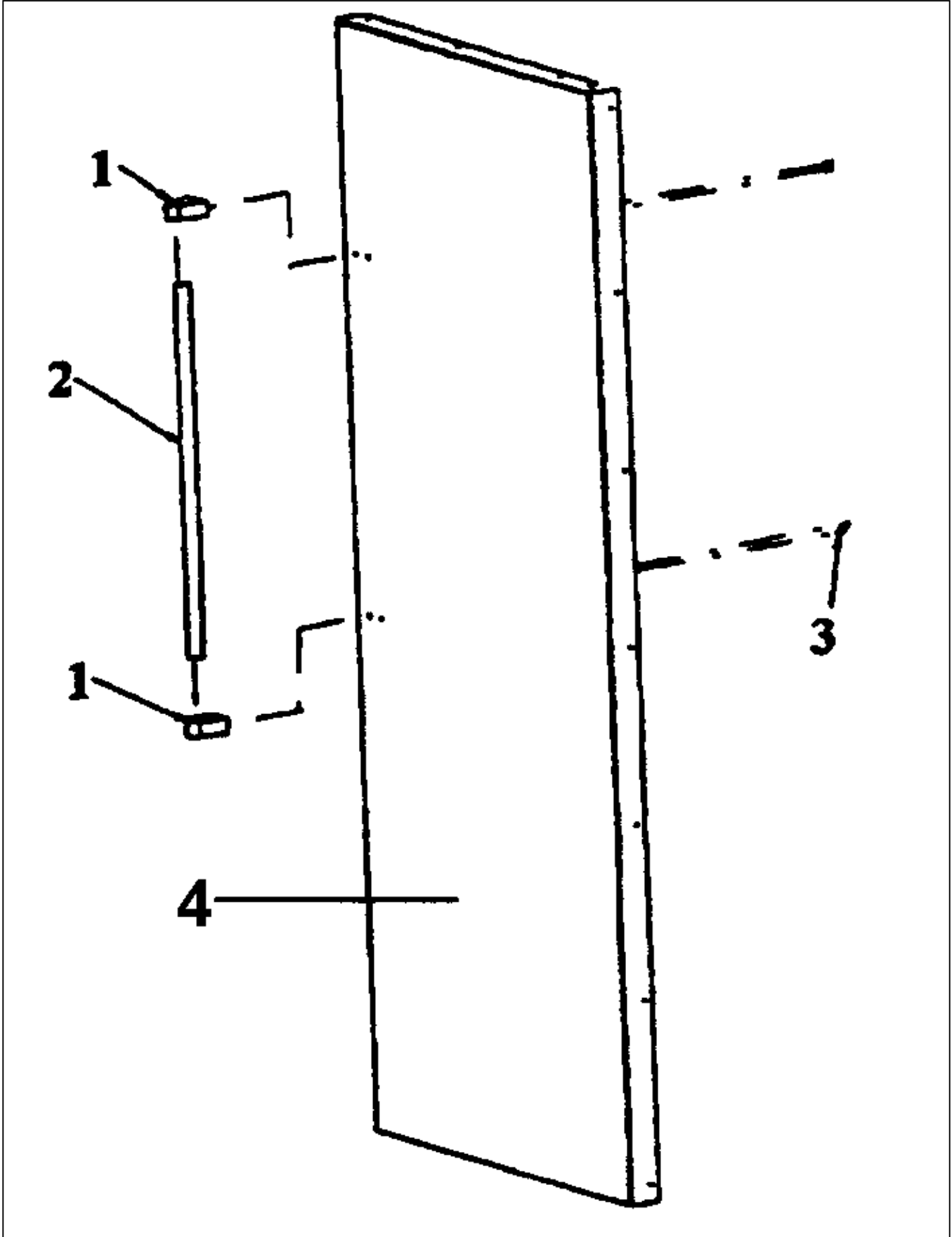
REF DOOR ASSY





Item	Part No.	Name	Qty	Uom	NOTES
1	M0202528	SCREW-MACH #	1	EA	
2	PC020231	CAM DOOR CLOSURE TOP WHITE	1	EA	
3	M0272803	WASHER-LOCK	1	EA	
4	G5097702	DOOR FOAM ASM SXS 48 FF - NLA	1	EA	
5	PB070296	DOOR GASKET, 48 SXS FF SIDE CHARGE	1	EA	
6	V12203602	DAIRY MODULE ASSY #	1	EA	
7	036886-000	DOORBIN ASM SXS 48 FF	1	EA	
8	G5099989	48" FF METAL SHELF KIT	1	EA	
9	12128001	PLUG-INNER DOOR	1	EA	
10	PC920054	RIGHT UP PIVOT PLT ASSY	1	EA	Not available online / Call for pricing and availability
11	M0226233	SUB TO PD920174 - 10 X 7/8 PHILLIPS SMA TRI LOBE SA	1	EA	
NI	12493705	SUB TO PE940176 - TRIM-SXS DR	1	EA	NO LONGER AVAILABLE, Not available online / Call for pricing and availability
NI	12493706	TRIM, REF. DOOR	1	EA	Not available online / Call for pricing and availability
NI	12493707	SUB TO PK930008 - TRIM-SXS FZ DR	1	EA	NO LONGER AVAILABLE
NI	014581-000	SPACER,TRIM,SXS,AF,AR	1	EA	
NI	M0210458	SCREW-SM	1	EA	

REF DOOR SKIN ASSY

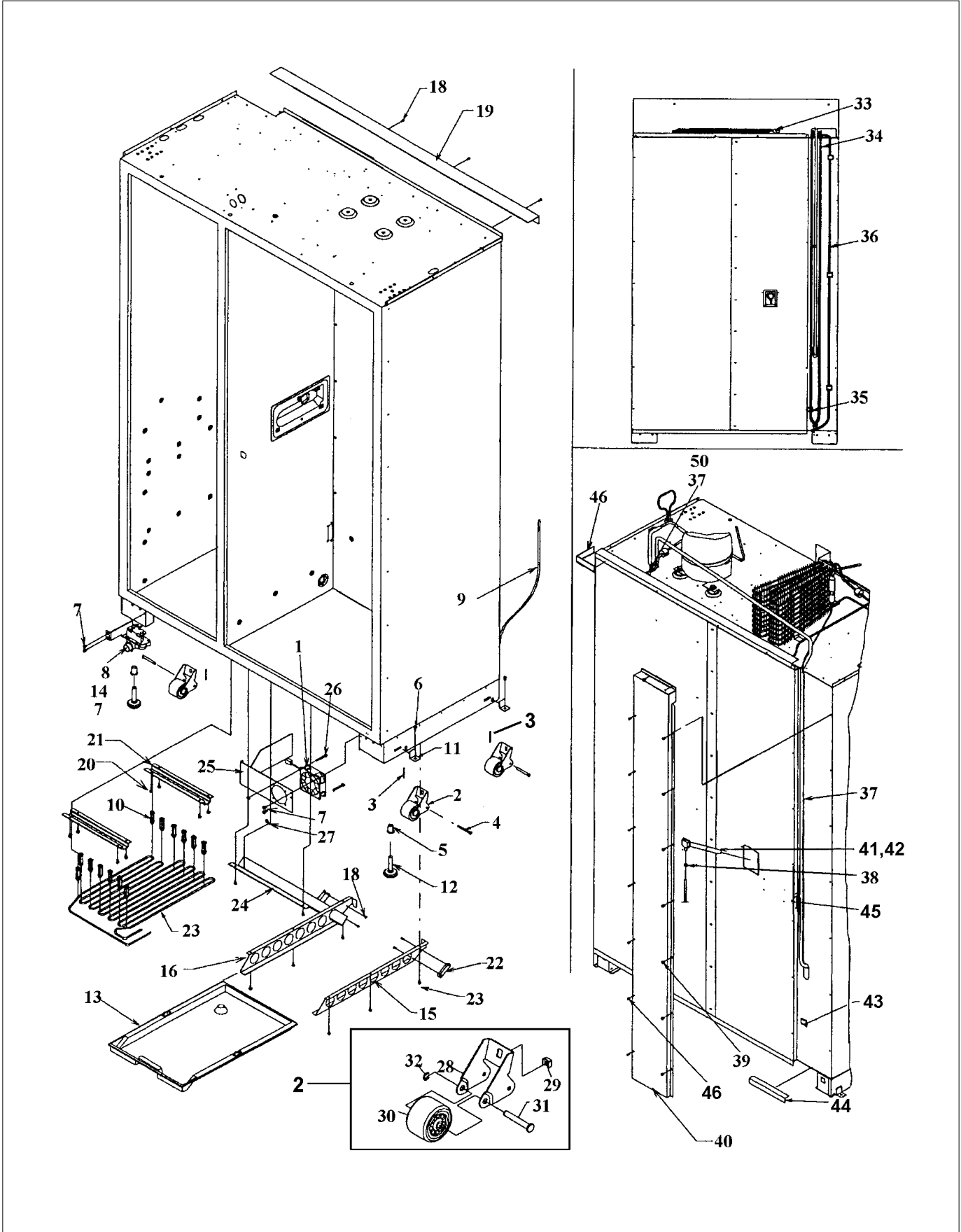




Item	Part No.	Name	Qty	Uom	NOTES
1	000268-000	HANDLE ENDCAP	1	EA	
Not Shown	PE030001PVD	END CAP DOOR HANDLE *BR	1	EA	
2	PE930101	VCSB482 HANDLE -(12466403)	1	EA	
Not Shown	PE030044PVD	CNPY HDLE 41/53 PVD F0005408	1	EA	NO LONGER AVAILABLE
3	M0204303	SCREW-MACH	1	EA	
4	SEE MATRIX	REFRIGERATOR DOOR SKIN	1	EA	
NI	10921223	Foam Block EPS - Frz. Door	1	EA	Not available online / Call for pricing and availability
NI	10921224	STYROFOAM BLOCK, REF. DOOR (QTY. 2)	1	EA	Not available online / Call for pricing and availability

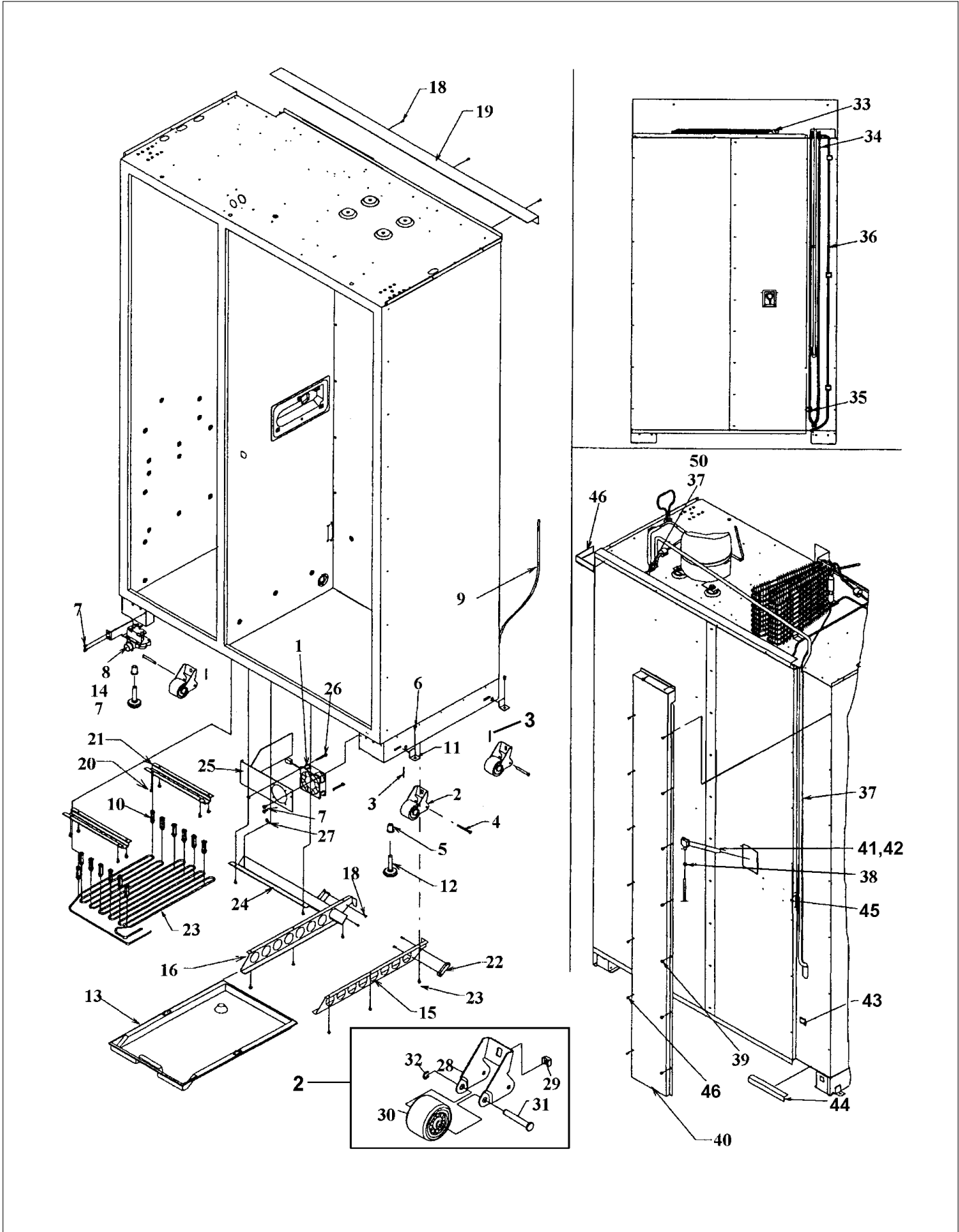


ROLLERS

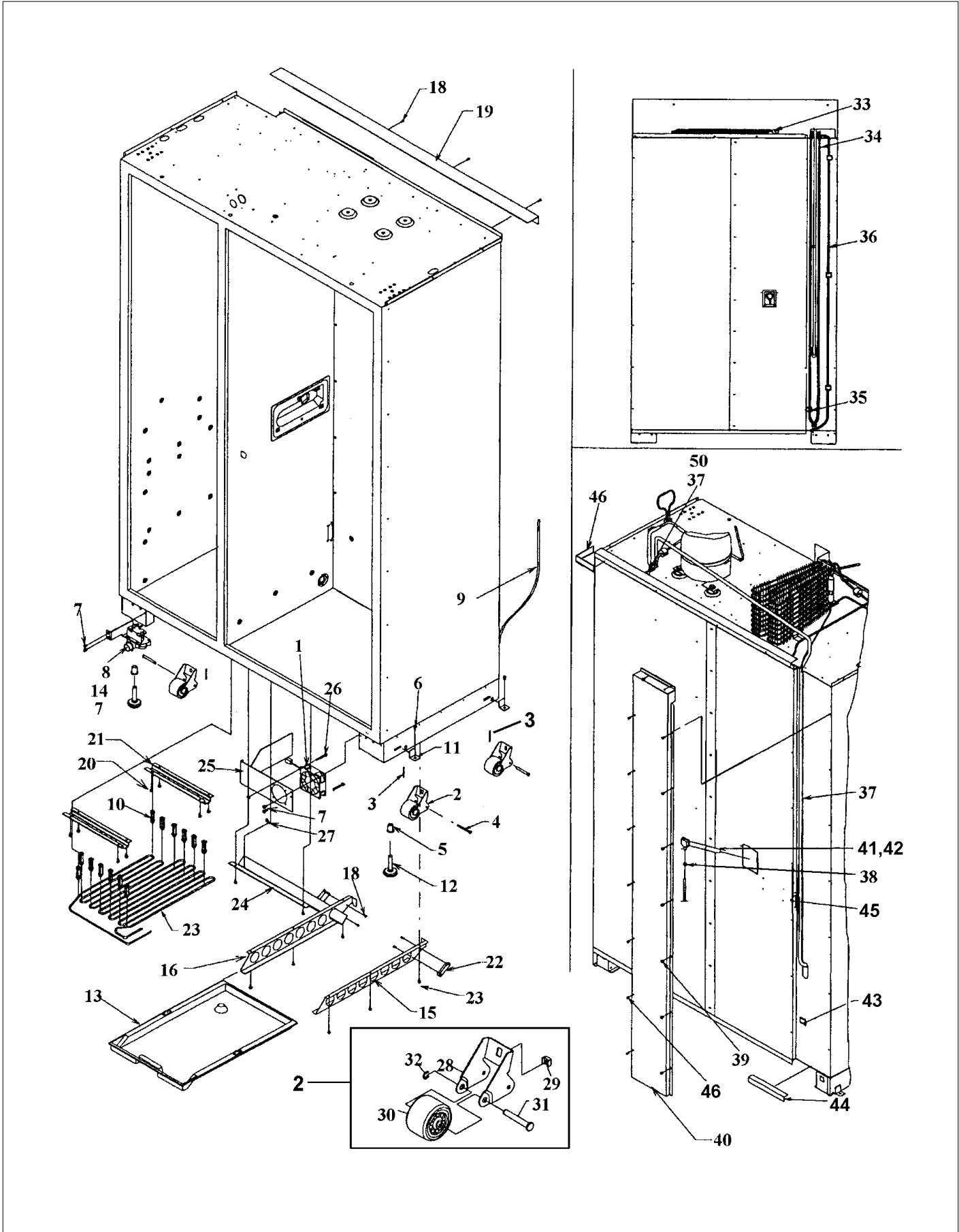




Item	Part No.	Name	Qty	Uom	NOTES
1	004551-000	AXIAL FAN		EA	
Comments for Part Num. 004551-000					
gboltz@VikingRange.com on Jul 21, 2016					
View service bulletin TR-0052-SP before ordering fan, if applicable order kit instead of fan					
2	G5096490	SUB TO G5096596		EA	NO LONGER AVAILABLE
3	M1200004	PIN-COTTER		EA	
4	M1200203	PIN-CLEVIS		EA	
5	M0295308	NUT-RIVET VM0295308		EA	
6	M0267153	SCREW-MACH VM0267153		EA	NO LONGER AVAILABLE, Not available online / Call for pricing and availability
7	M0220417	SCREW-TC		EA	
8	G32913791	BRKT & VALVE H20 DUAL ASM		EA	
Not Shown	NOTE	(After 05/25/05)		EA	
Not Shown	G50911843	WATER VALVE KIT		EA	
Not Shown	NOTE	(Before 05/25/05)		EA	
9	PB020302	PLASTIC TUBING-DOOR WATERLINE SXS DISP		EA	
10	12071201	CLIP-DRAIN LOOP		EA	
11	K2096427	BRKT-SHIPPING 12071102		EA	
12	12150601	FOOT-LEVELING V12150601		EA	
13	12071301	PAN, DRAIN		EA	
Not Shown	NOTE	(Before 02/07/05)		EA	
Not Shown	PK930348	PAN DRAIN		EA	
Not Shown	NOTE	(After 02/07/05)		EA	
14	M0753001	NUT-SLEEVE		EA	
15	K2096459	RAIL-PAN 12234701		EA	
16	K2096460	RAIL-PAN 12234702		EA	



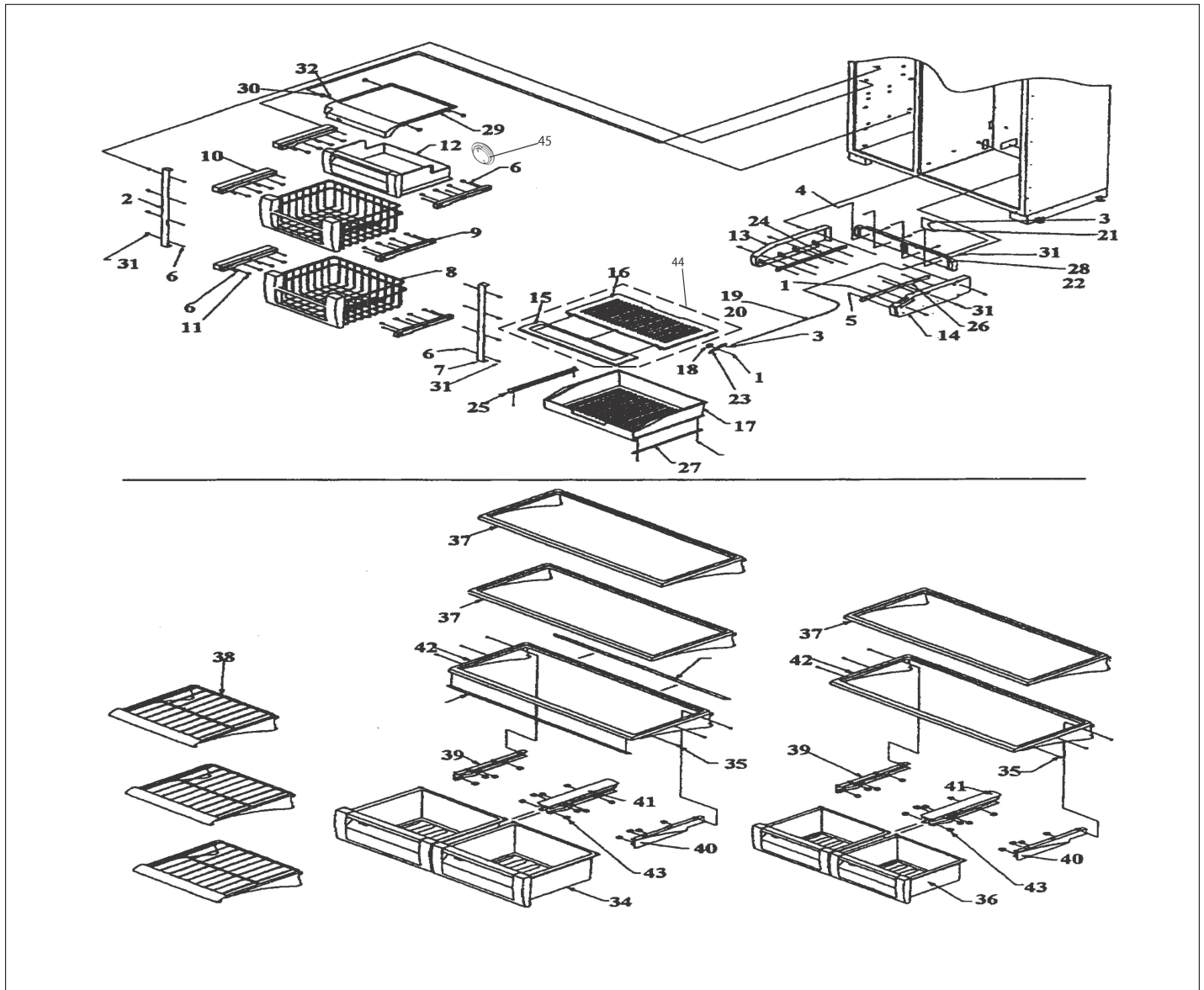
Item	Part No.	Name	Qty	Uom	NOTES
17	A1055101	SPRING-ANTI KINK		EA	NO LONGER AVAILABLE
18	A4539601	DAMPER-TUBING .8		EA	Not available online / Call for pricing and availability
19	K2096442	SHIELD-POWER CORD 12180503		EA	NO LONGER AVAILABLE, Not available online / Call for pricing and availability
20	M0224416	SCREW-SM		EA	
21	K2096455	BRKT-SERP. CLIP 12215001		EA	NO LONGER AVAILABLE
22	K2096439	ANGLE-DRAIN PAN 12143801		EA	
23	F2096550	SERPENTINE DRAIN SXS		EA	
24	L2096474	TROUGH-DRAIN REP V12349801		EA	
25	K2096473	BRKT-DC FAN 12349201		EA	
26	M0220417	SCREW-TC		EA	
27	M0280801	NUT-HEX VM0280801		EA	Not available online / Call for pricing and availability
28	K2196420	BRACKET, ROLLER		EA	Not available online / Call for pricing and availability
29	M0286708	NUT-SPEED		EA	
30	12034201	ROLLER-CABINET		EA	
31	M1252901	CLEVIS GROOVED		EA	
32	M0273801	RING-RETAINING		EA	
33	10916507	CORD-POWER 5 SERIES		EA	
34	10851312	INSULATION TUBING 70.000		EA	Not available online / Call for pricing and availability
35	M0104106	CLIP-CORD VM0104106		EA	
36	12527801	HARNESS-FAN MOTOR		EA	NO LONGER AVAILABLE, Not available online / Call for pricing and availability
37	M0238616	SCREW, SMALL		EA	





Item	Part No.	Name	Qty	Uom	NOTES
38	12115101	CLAMP-TUBE V12115101		EA	
39	M0238616	SCREW, SMALL		EA	
40	K2096444	COVER-HT EXCHANGE 12187701		EA	
41	G5096419	FILL TUBE ASSY		EA	
<p>Comments for Part Num. G5096419</p> <p>bradleysapplianceservice@shaw.ca on May 11, 2018            This part G5096419 does NOT come with the aluminum tube.            If aluminum tube is required, order 005899-000 and cut to size.</p>					
42	A3127415	EXT-FILL TUBE		EA	
43	M0104106	CLIP-CORD VM0104106		EA	
44	A3189370	GASKET-FOAM VA3189370		EA	
45	A3189368	GASKET-FOAM VA3189368		EA	
46	A4539601	DAMPER-TUBING .8		EA	Not available online / Call for pricing and availability
NI	013112-000	NOISE REDUCTION FAN KIT		EA	

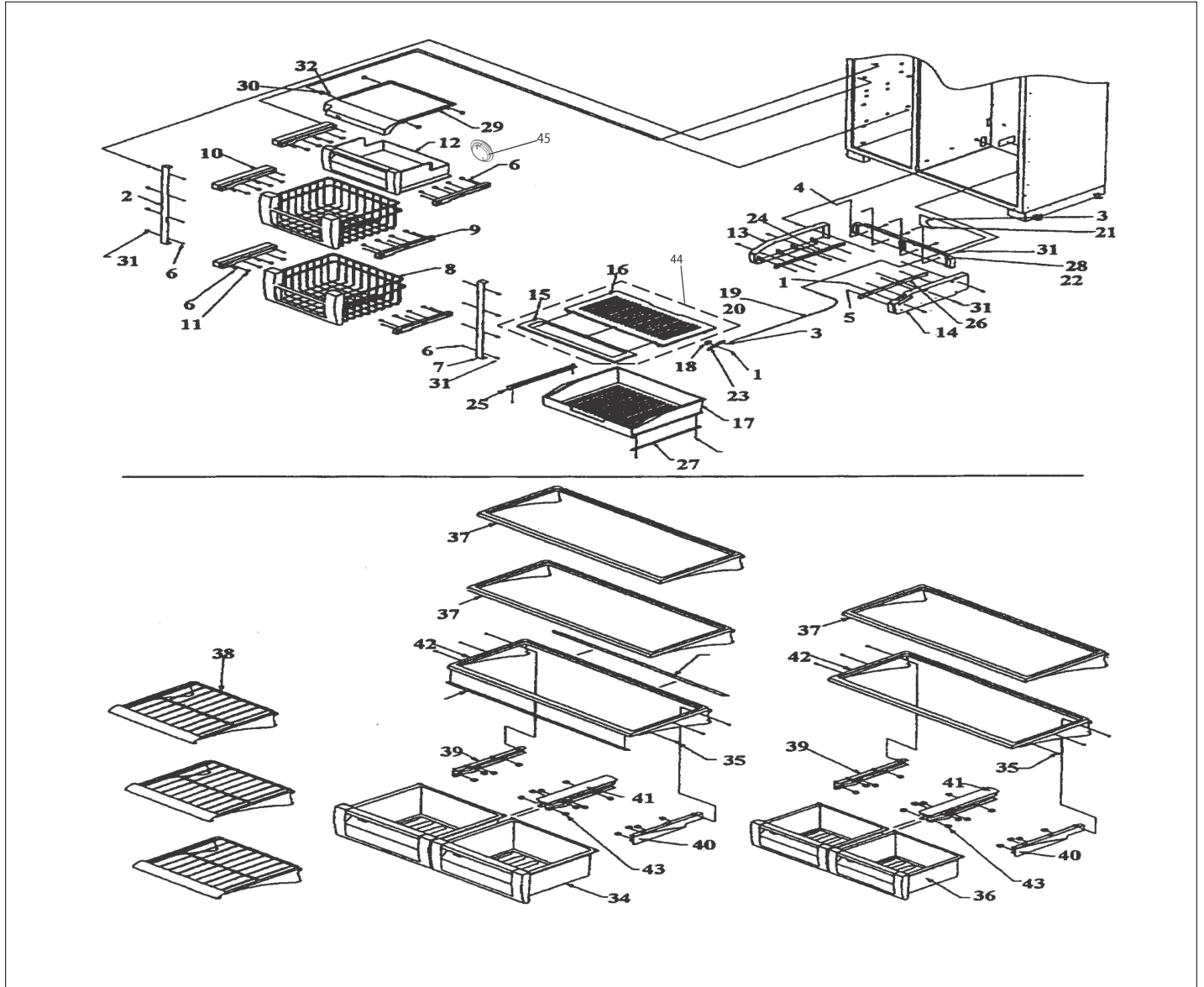
SHELVING





Item	Part No.	Name	Qty	Uom	NOTES
1	M0211018	SCREW-SM		EA	
2	PK930073	CLOSEOUT SIDE SXS 48 FZ L		EA	
3	M0213105	SCREW-SM		EA	
4	M0213531	SCREW-SM		EA	NO LONGER AVAILABLE, Not available online / Call for pricing and availability
5	M0213503	SCREW, SM		EA	
6	M0238616	SCREW, SMALL		EA	
7	V12304301	CLOSEOUT-FZ SIDE #		EA	
8	PM910190	BASKET ASM FZ		EA	
9	PK930074	GLIDE SXS 48 FZ R		EA	
10	PK930075	GLIDE SXS 48 FZ L		EA	
11	12064701	PAD-GLIDE V12064701		EA	
12	019144-000	ICE BUCKET ASM		EA	
<p>Comments for Part Num. 019144-000</p> <p>gboltz@VikingRange.com on Mar 28, 2017</p> <p>See parts bulletin 2017-03P ice bucket helix replacement</p>					
NI	PE950158	Motor Auger		EA	
13	PK930087	SUPPORT DRAWER SXS 48 L		EA	
14	V12073003	SUPPORT-R DRAWER #		Wholesale Price	
15	V12223208	DELI LID ASSY 48"/48D		Wholesale Price	
Not Shown	NOTE	(MUST ORDER ITEM 44)		EA	
16	12223304	DELI TOP ASSEMBLY		EA	
Not Shown	NOTE	(MUST ORDER ITEM 44)		EA	
17	V12073304	DRAWER-DELI 48"/48"Disp		Wholesale Price	
18	V12073401	KNOB-DELI CONT		Wholesale Price	
19	12073501	TUBE-PLASTIC		EA	
20	12073506	TUBE-PLASTIC		EA	

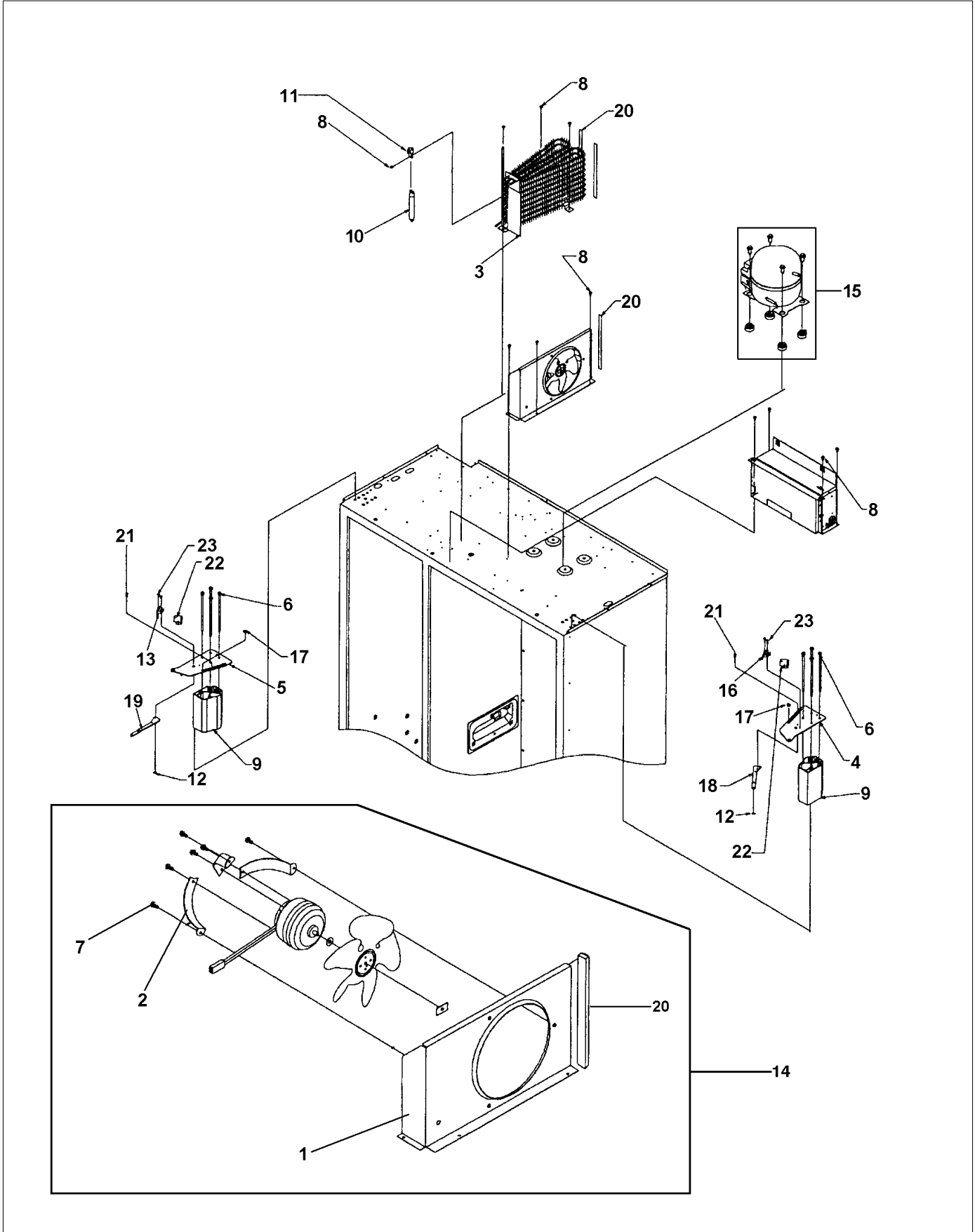






Item	Part No.	Name	Qty	Uom	NOTES
21	V12073601	SLIDE-DELI CONT		EA	NO LONGER AVAILABLE
22	V12231201	COVER-AIR CONTROL		Wholesale Price	
23	V12070501	GLIDE-DELI KNOB #		EA	NO LONGER AVAILABLE
24	12073901	GLIDE-L SUPPORT V12073901		EA	
25	12073902	GLIDE-L DRAWER V12073902		EA	
26	12073903	GLIDE-R SUPPORT V12073903		EA	
27	12073904	GLIDE-R DRAWER V12073904		EA	
28	12196201	GSKT-CONTROL COVER		EA	NO LONGER AVAILABLE
29	PK930079	SHELF COVER SXS 48 FZ		EA	
30	12258501	SUPPORT-SHELF		EA	
31	M0581001	GROMMET-SCREW VM0581001		EA	
32	M0211021	SCREW-SM		EA	
33	M0238616	SCREW, SMALL		EA	
34	12144302	CRISPER PAN ASSY 48"/48 DISP		EA	
35	M0220417	SCREW-TC		EA	
36	V12183901	DAIRY DRAWER ASSY 48"/48D		Wholesale Price	
37	043624-000	SHELF ASM GLASS 30 AR 48 FF		EA	
38	PM910411	SHELF WIRE AF 36		EA	
39	12064501	GLIDE-LEFT CRISPER		EA	
40	12064502	GLIDE-RIGHT CRISPER		EA	
41	V12064601	GLIDE-CTR CRISPER #		Wholesale Price	
42	12144003	SHELF, CRISPER		EA	Not available online / Call for pricing and availability
43	12064701	PAD-GLIDE V12064701		EA	
44	000485-000	DELI TOP ASSEMBLY - 48 SXS		EA	
45	PM910331C	CAP,HELIX		EA	

TOP HINGES





Item	Part No.	Name	Qty	Uom	NOTES
1	K2196428	SHROUD, CONDENSER FAN	1	EA	Not available online / Call for pricing and availability
2	10582501	BRKT-COND MTR V10582501	1	EA	
3	PB920171	CONDENSER ASM	1	EA	
4	PC920064	RIGHT TOP HINGE ASSEMBLY	1	EA	NO LONGER AVAILABLE
5	PC920065	TOP HINGE ASSY(VCBB362LSS)	1	EA	NO LONGER AVAILABLE

Comments for Part Num. PC920065

gboltz@VikingRange.com on Aug 16, 2017

SEE ISR-0066A-SP AND ISR-0067A-SP, recall instructions

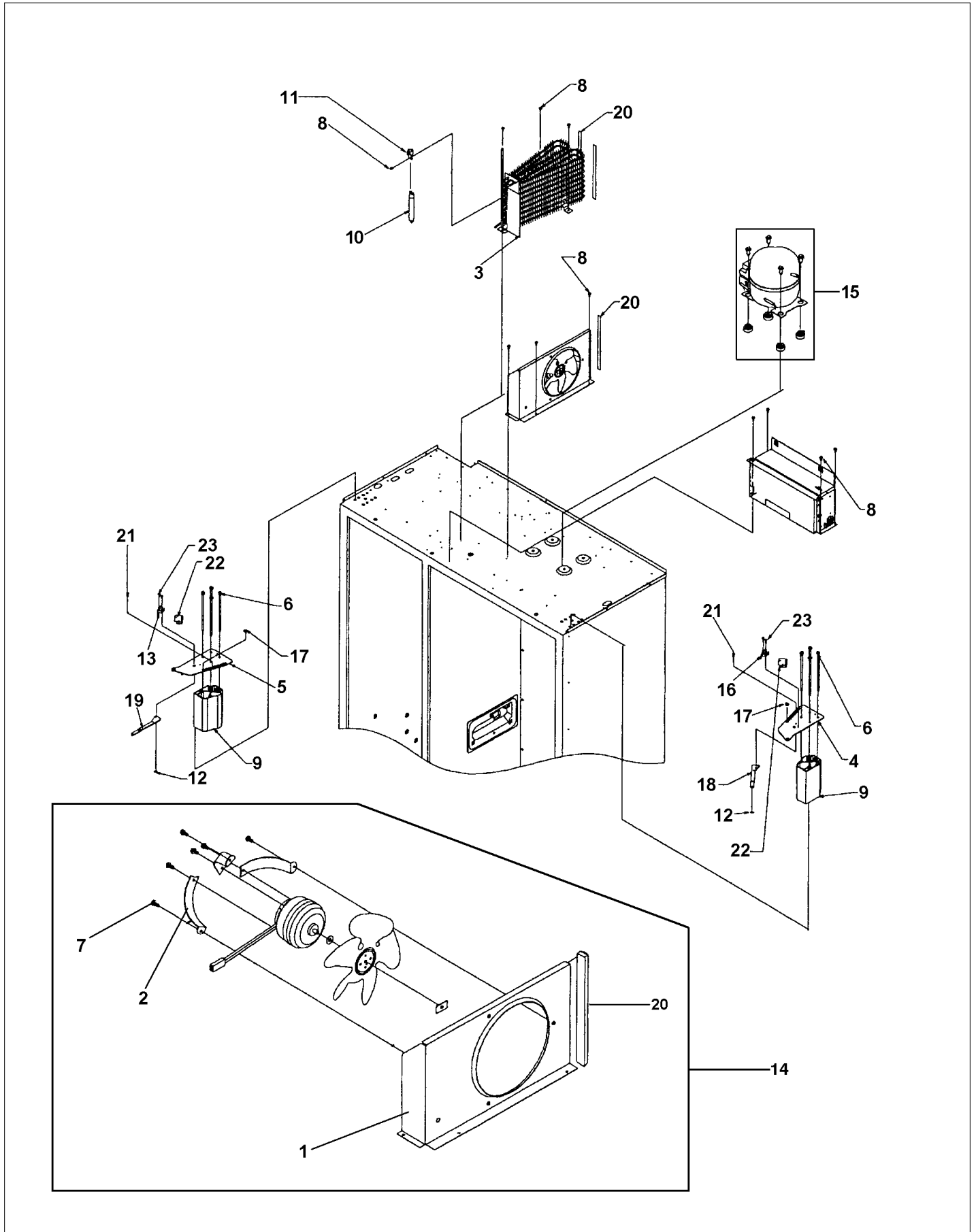
6	M0206313	SCREW-MACH	1	EA	
7	M0223816	SCREW-TR	1	EA	NO LONGER AVAILABLE
8	M0238616	SCREW, SMALL	1	EA	
9	12067901	EXTRSN-TOP HINGE V12067901	1	EA	
10	PM010616	DRIER - HIGH SIDE	1	EA	
11	10547001	CLIP-DRIER V10547001	1	EA	
12	40370P01	NYLON FLAT WASHER V40370P01	1	EA	
13	PE950122	SWITCH	1	EA	
NI	011666-000	INVERTER,CMPR,ASM	1	EA	

Comments for Part Num. 011666-000

gboltz@VikingRange.com on Aug 9, 2018

See 2018-01P Parts Bulletin

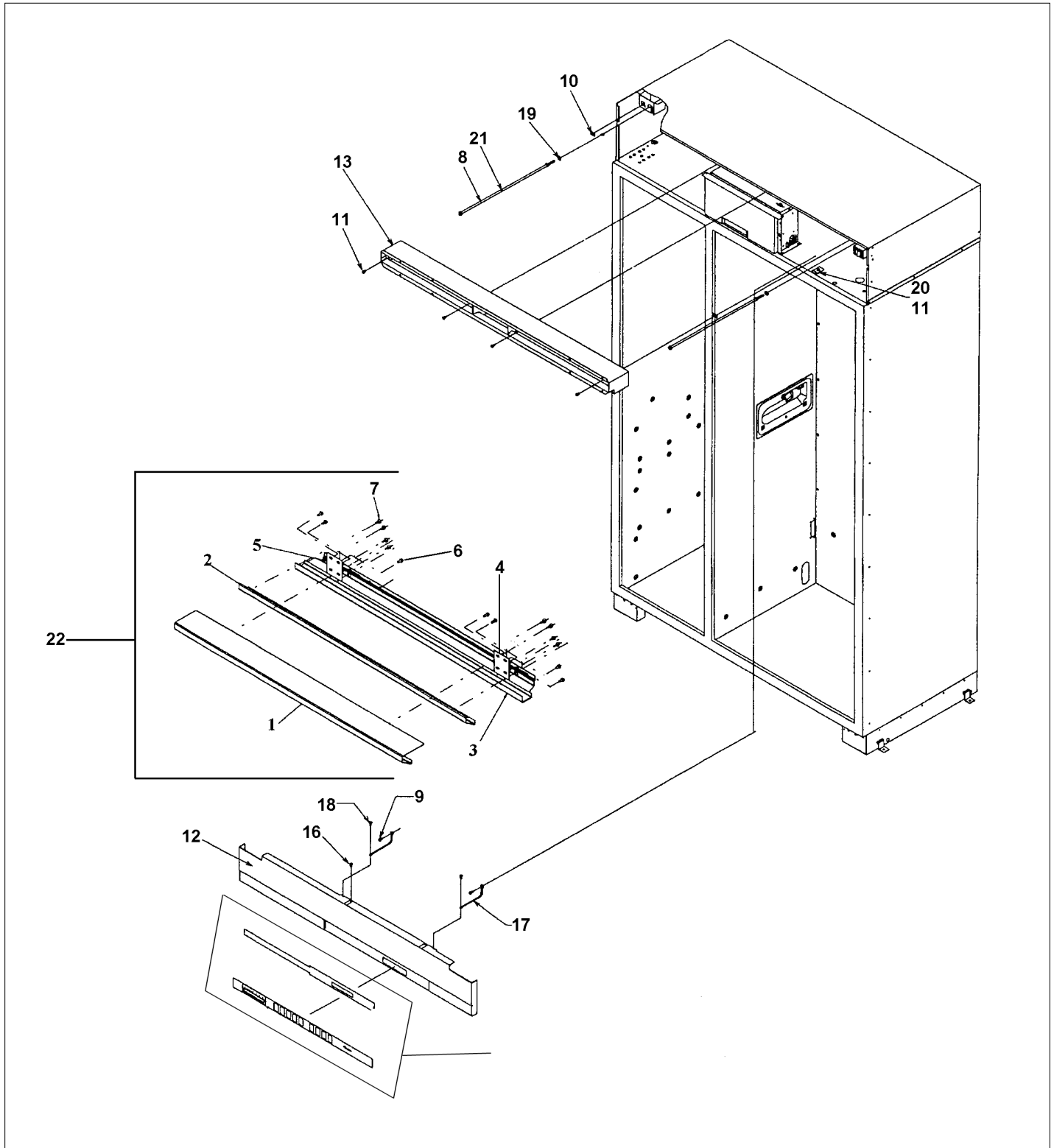
14	G5096494	COND. FAN ASSY	1	EA	
15	G5097976	Compressor Assembly (Includes Drier)	1	EA	
16	PE950121	SWITCH	1	EA	
17	12348701	BUMPER-DOOR STOP V12348701	1	EA	
18	PC920066	ARM, DOOR STOP, RH	1	EA	
19	PC920068	ARM DOOR STOP LH	1	EA	





Item	Part No.	Name	Qty	Uom	NOTES
20	A3189370	GASKET-FOAM VA3189370	1	EA	
21	M0220942	SCREW-SHLDR	1	EA	
22	12140701	COVER-SWITCH V12140701	1	EA	
23	M0234005	SCREW-TF	1	EA	
NI	M0104106	CLIP-CORD VM0104106	1	EA	
NI	M0232903	SCREW-SE	1	EA	NO LONGER AVAILABLE
NI	M0211018	SCREW-SM	1	EA	
NI	M0234030	SCREW-TR	1	EA	NO LONGER AVAILABLE
NI	10522103	MOTOR-PSC V10522103	1	EA	
NI	B5742603	BLADE-FAN	1	EA	

UPPER GRILLE





Item	Part No.	Name	Qty	Uom	NOTES
1	B2099017	LOUVER TOP 36 PRO BM		EA	NO LONGER AVAILABLE
2	B2099018	GRILLE, MIDDLE		EA	Not available online / Call for pricing and availability
3	B2099020	LOUVER BOTTOM 36 PRO BM RH		EA	NO LONGER AVAILABLE
4	B2096961	BRACKET-LOUVER		EA	
5	B2096962	BRACKET-LOUVER SUP		EA	
6	M0220417	SCREW-TC		EA	
7	A4539601	DAMPER-TUBING .8		EA	Not available online / Call for pricing and availability
8	M0223603	SCREW-LAG		EA	
9	M0238846	SCREW-SHLDR		EA	
10	M0288120	NUT-SPEED VM0288120		EA	
11	M0238616	SCREW, SMALL		EA	
12	PE940183	COVER CONT PANEL		EA	
13	G9096487BK	AIR DUCT WELD ASSY		EA	
14	PE950173	OVERLAY SWITCH ASSEMBLY DISPENSER		EA	
16	M0224128	SCREW-SM		EA	
17	12064001	SUPP-CONT PANEL		EA	
18	A4539601	DAMPER-TUBING .8		EA	Not available online / Call for pricing and availability
19	M0270510	WASHER #		EA	
20	12414701	BRKT-CONT COVER		EA	NO LONGER AVAILABLE
21	12349301	BEARING-SLEEVE V12349301		EA	
22	G3299016	GRILL ASSY 48 PRO		EA	
NI	B2096965	ENDCAP PRO LH HINGE		EA	
NI	B2096966	ENDCAP PRO RH HINGE		EA	





Appendix A:Pages Index

CONTROL ASSY ..... 1  
DOOR SKIN MATRIX ..... 2  
EVAP AREA ASSY ..... 3  
FLOW CHART DEFROST ..... 4  
FLOW CHART NO COMPRESSOR ..... 5  
FREEZER DOOR ASSY ..... 6  
FREEZER DOOR SKIN ASSY ..... 7  
LADDERS ..... 8  
LOWER HINGES ..... 9  
REF DOOR ASSY ..... 10  
REF DOOR SKIN ASSY ..... 11  
ROLLERS ..... 12  
SHELVING ..... 13  
TOP HINGES ..... 14  
UPPER GRILLE ..... 15



Appendix B:Parts Index

000268-000	7, 11	12067901	14
000485-000	13	12071201	12
002670-000	1	12071301	12
003471-000	8	12073501	13
004528-000	8	12073506	13
004551-000	8, 12	12073901	13
005319-000	1	12073902	13
011666-000	14	12073903	13
011673-000	7	12073904	13
013112-000	12	12074601	8
013685-000	6	12074701	8
014581-000	10	12074702	8
019144-000	13	12074703	1
019244-000	9	12074704	8
036886-000	10	12102501	8
036888-000	6	12115101	12
043624-000	13	12117201	1
058966-000	3	12118901	8
10093305	9	12128001	10
10270101	8	12135402	8
10270203	8	12140701	14
10281601	8	12144003	13
10428101	3	12144302	13
10522103	14	12150601	12
10526701	9	12184401	8
10527401	3	12184501	8
10544502	1	12184901	8
10547001	14	12193801	6
10582501	14	12196201	13
10623003	3	12223304	13
10851312	12	12231701	3
10916507	12	12233801	3
10921223	7, 11	12234001	3
10921224	11	12258501	13
12034201	12	12348201	6
12043101S	7	12348402	6
12064001	15	12348701	14
12064501	13	12349301	15
12064502	13	12414701	15
12064701	13, 13	12493705	10
		12493706	10



12493707	10	G5099989	10
12527801	12	G9096487BK	15
40370P01	14	K1096533	9
A1017202	3	K2096427	12
A1055101	12	K2096429	1
A3030302	3	K2096430	1
A3030303	3	K2096431	1
A3030361	3	K2096439	12
A3127415	9, 12	K2096442	12
A3189368	3, 12	K2096444	12
A3189370	3, 12, 14	K2096449	9
A4539601	1, 8, 12, 12, 15, 15	K2096450	9
A4554817	1	K2096455	12
B2096406	8	K2096456	3
B2096961	15	K2096457	3
B2096962	15	K2096458	3
B2096965	15	K2096459	12
B2096966	15	K2096460	12
B2099017	15	K2096461	3
B2099018	15	K2096464	9
B2099020	15	K2096473	12
B5733302	8	K2096475	8
B5742603	14	K2097526	7
C2096406	8	K2097709	1
C2097183	9	K2196412	3
C8983701	3, 8	K2196420	12
F2096550	12	K2196428	14
G3096496	8	L2096474	12
G32913791	12	L2097181	3
G3297574	6	L2097182	3
G3299016	15	L2098309	8
G50910009	9	L2098313	8
G50911843	12	L2196411	3
G50911858	9	M0104106	1, 12, 12, 14
G50911859	6	M0108201	8
G5096419	12	M0202528	9, 10
G5096490	12	M0204303	7, 11
G5096494	14	M0204339	9
G5097702	10	M0206313	14
G5097976	14	M0210458	10
G5098660	3	M0211018	13, 14



M0211021	13	M6096628	7
M0213105	13	PB020302	6, 12
M0213503	13	PB070295	6
M0213531	13	PB070296	10
M0218136	8	PB920155	3
M0218137	8	PB920171	14
M0220417	8, 12, 12, 13, 15	PB980023	7
M0220928	9	PC010021	6
M0220942	14	PC020231	9, 10
M0221913	8	PC020296	7
M0223603	15	PC920050	9
M0223816	1, 14	PC920052	7, 9
M0224128	15	PC920054	10
M0224416	3, 12	PC920060	9
M0226233	7, 10	PC920061	9
M0232903	3, 3, 8, 14	PC920064	14
M0232929	3	PC920065	14
M0234005	14	PC920066	14
M0234030	14	PC920068	14
M0238535	8	PC920159	7
M0238616	1, 3, 8, 9, 12, 12, 13, 13, 14, 15	PD020013	1
M0238734	9	PE010030	7
M0238846	8, 15	PE010031	7
M0238859	3	PE010068	7
M0267153	12	PE010076	7
M0270510	9, 15	PE030001PVD	7, 11
M0272803	9, 10	PE030044PVD	7, 11
M0273801	12	PE070728	1
M0280801	12	PE070866	6
M0286708	12	PE930101	7, 11
M0288120	1, 8, 15	PE940183	15
M0295308	12	PE950121	14
M0321202	8, 9	PE950122	14
M0580007	8	PE950125	8
M0581001	8, 8, 13	PE950149	8
M0585504	1	PE950152	6
M0585506	1	PE950158	6, 13
M0753001	12	PE950173	15
M1200004	12	PE970428	6
M1200203	12	PE970464	1
M1252901	12	PE970484	6



PE970609 ..... 1  
PJ910031 ..... 3  
PK900026 ..... 9  
PK920023 ..... 8  
PK920024 ..... 8  
PK930073 ..... 13  
PK930074 ..... 13  
PK930075 ..... 13  
PK930077 ..... 8  
PK930078 ..... 8  
PK930079 ..... 13  
PK930085 ..... 8  
PK930086 ..... 8  
PK930087 ..... 13  
PK930150 ..... 3  
PK930273 ..... 6  
PK930274 ..... 6  
PK930348 ..... 12  
PK930381 ..... 6  
PK930383 ..... 6  
PK930401 ..... 6  
PM010616 ..... 14  
PM910169 ..... 3  
PM910190 ..... 13  
PM910206 ..... 3  
PM910331C ..... 13  
PM910411 ..... 13  
PM910465 ..... 9  
V12064601 ..... 13  
V12070501 ..... 13  
V12073003 ..... 13  
V12073304 ..... 13  
V12073401 ..... 13  
V12073601 ..... 13  
V12183901 ..... 13  
V12203602 ..... 10  
V12220301 ..... 6  
V12221005 ..... 6  
V12223208 ..... 13  
V12231201 ..... 13  
V12304301 ..... 13