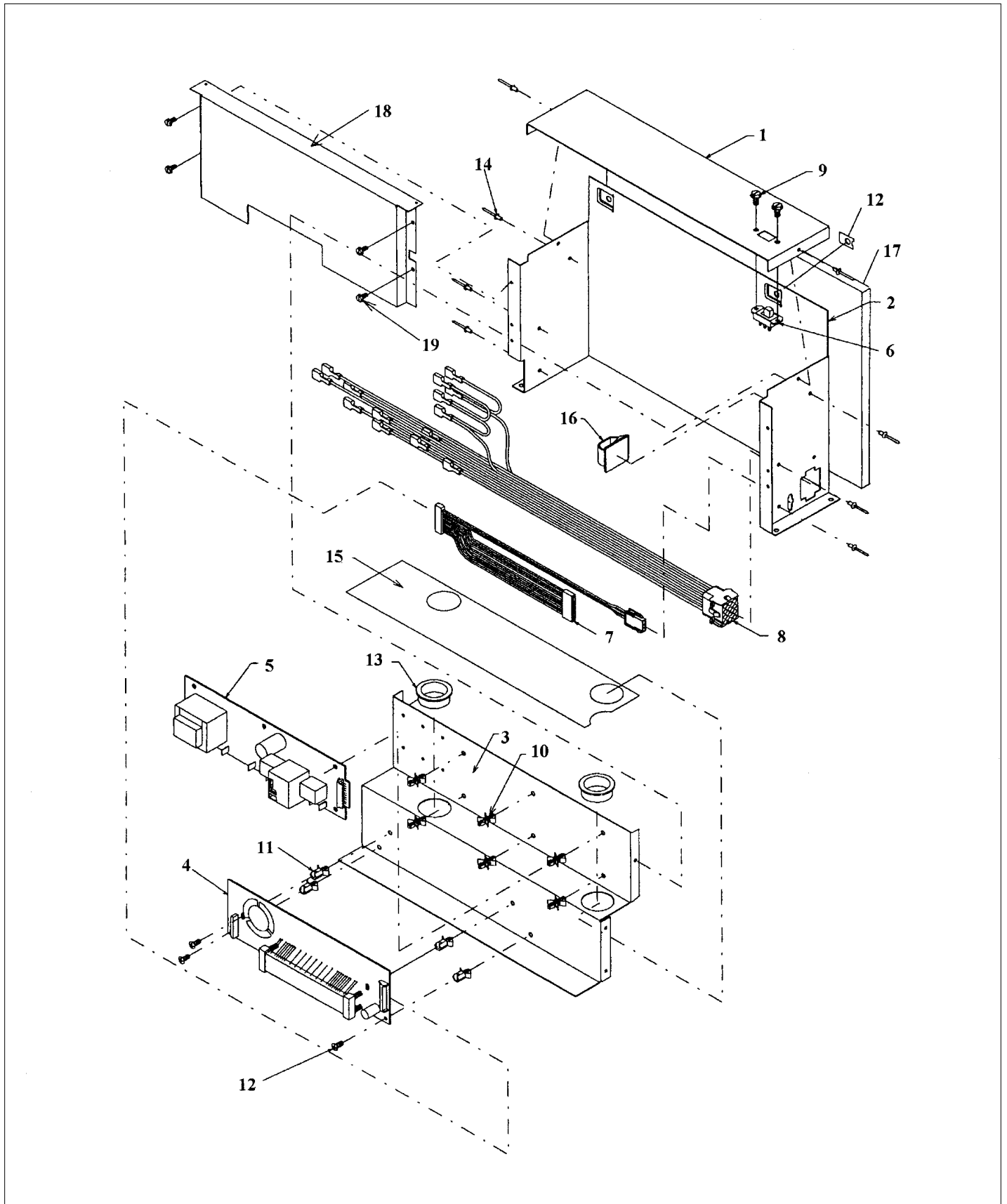


**VCSB481**

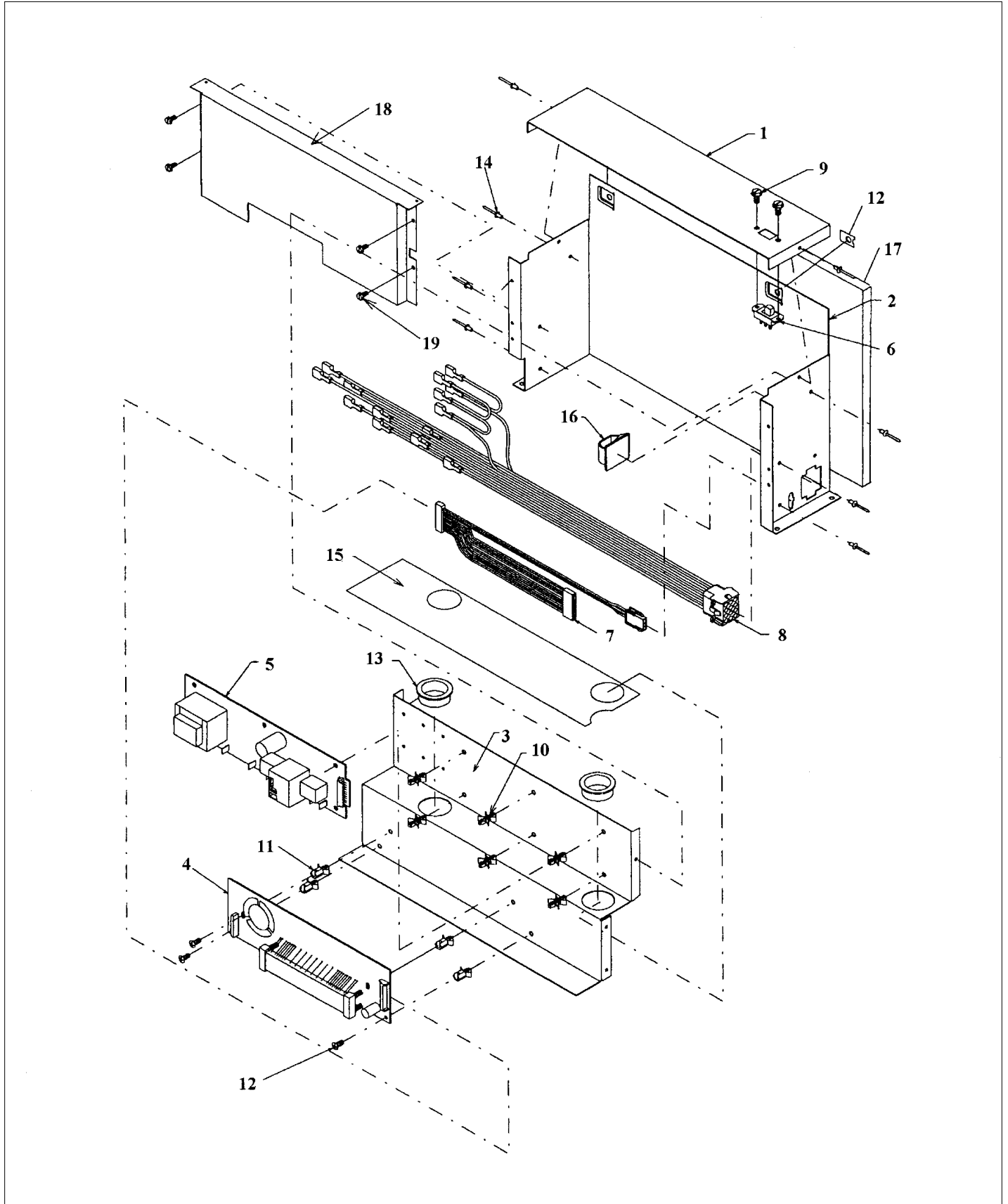
CONTROL ASSY .....	1
DOOR ASSY .....	2
DOOR SKIN MATRIX .....	3
DOOR SKINS .....	4
EVAP AREA ASSY .....	5
FLOW CHART NO COMPRESSOR .....	6
LADDERS .....	7
LOWER HINGES .....	8
ROLLERS .....	9
SHELVING - CRISPER .....	10
TOP HINGES .....	11
UPPER GRILLE AND KEYBOARD .....	12
Appendix A:Pages Index .....	A
Appendix B:Parts Index .....	B



## CONTROL ASSY



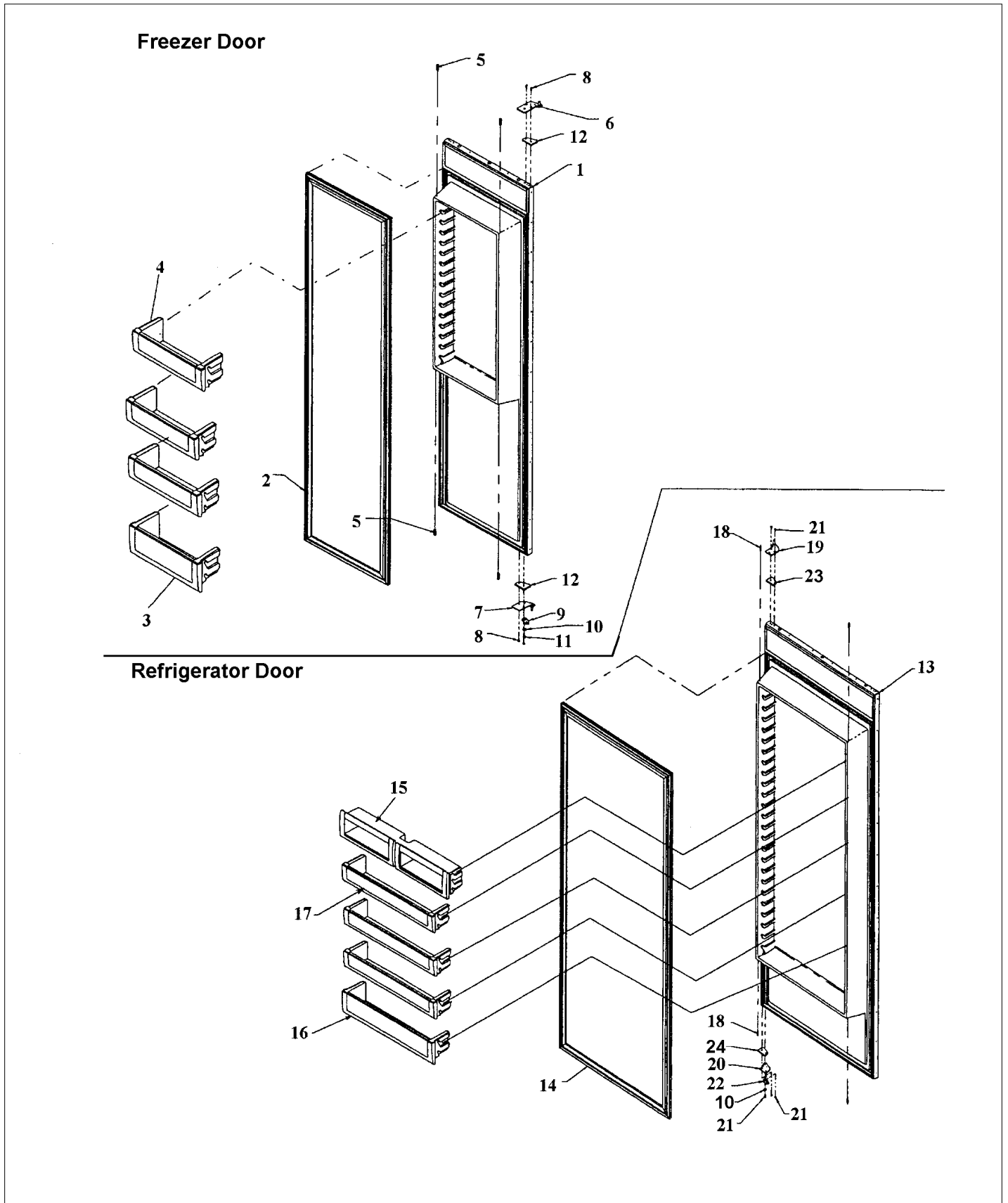
Item	Part No.	Name	Qty	Uom	NOTES
1	K2096429	SUB TO K2098657 - TOP-CONT BOX 12090801	1	EA	NO LONGER AVAILABLE
2	K2096432	BOX-CONT 12091101	1	EA	NO LONGER AVAILABLE
3	K2096430	BRKT-PC 12090901	1	EA	NO LONGER AVAILABLE
4	002670-000	LOW VOLTAGE BOARD KIT W/HARNESS	1	EA	
Comments for Part Num. 002670-000  boltz on Apr 12, 2018 See TR-0022-SP Bulletin					
5	005319-000	POWER CONTROL BOARD ASM 5 SERIES	1	EA	
Comments for Part Num. 005319-000  boltz on Apr 12, 2018 See TR-0056-SP Bulletin					
6	10544502	SWITCH-SLIDE GRN	1	EA	
7	PE970464	HARNESS LOW VOLT 5 SERIES	1	EA	
Not Shown	NOTE	(ONLY USE IF KIT HAS BEEN INSTALLED)		EA	
8	PE970609	HARNESS CONTROL BOARD 5 SERIES	1	EA	
Not Shown	NOTE	(ONLY USE IF KIT HAS BEEN INSTALLED)		EA	
9	M0223816	SCREW-TR	1	EA	NO LONGER AVAILABLE
10	M0585504	SUPPORT	1	EA	
11	M0585506	SUPPORT	1	EA	
12	PD020013	TYPE "AB" #6 X 3/8 PH PAN HD. SMS	1	EA	
13	A4554817	BUSHING-SNAP VA4554817	1	EA	
14	A4539601	DAMPER-TUBING .8	1	EA	Not available online / Call for pricing and availability
15	12117201	FILM-PROTECTIVE	1	EA	NO LONGER AVAILABLE, Not available online / Call for pricing and availability





Item	Part No.	Name	Qty	Uom	NOTES
16	M0104106	CLIP-CORD VM0104106	1	EA	
17	12074703	INSUL-CONT BOX V12074703	1	EA	NO LONGER AVAILABLE, Not available online / Call for pricing and availability
18	K2096431	FRONT-CONT PANEL 12091001	1	EA	
19	M0238616	SCREW, SMALL	1	EA	
20	M0288120	NUT-SPEED VM0288120	1	EA	

DOOR ASSY





Item	Part No.	Name	Qty	Uom	NOTES
1	12116303	CONV FREEZER FOAM DOOR ASSY	1	EA	Not available online / Call for pricing and availability
2	001943-000	SERV. GASKET FACE CHARGE	1	EA	
3	12192901	FZ DR SHELF ASSY #	1	EA	
4	12188001	DOOR SHELF ASSY	1	EA	NO LONGER AVAILABLE
5	12128001	PLUG-INNER DOOR	1	EA	
6	G50911809	PIVOT PLATE SVC. KIT (BM-RH)	1	EA	
7	12119504	HINGE, TAP LEFT LW	1	EA	Not available online / Call for pricing and availability
8	M0226233	SUB TO PD920174 - 10 X 7/8 PHILLIPS SMA TRI LOBE SA	1	EA	
9	PC020231	CAM DOOR CLOSURE TOP WHITE	1	EA	
10	M0272803	WASHER-LOCK	1	EA	
11	M0202528	SCREW-MACH #	1	EA	
12	M6096628	SPCR HINGE REP V12530201/V12493901	1	EA	
13	12116203	REFRIGERATOR DOOR FOAM ASSEMBLY	1	EA	Not available online / Call for pricing and availability
14	001954-000	SERV. GASKET FACE CHARGE	1	EA	
15	V12203602	DAIRY MODULE ASSY #	1	EA	
16	036886-000	DOORBIN ASM SXS 48 FF	1	EA	
17	G5099989	48" FF METAL SHELF KIT	1	EA	
18	12128001	PLUG-INNER DOOR	1	EA	
19	G50911810	PIVOT PLATE SVC. KIT (BM-LH)	1	EA	
20	J5096506	SUB TO PC920050	1	EA	NO LONGER AVAILABLE
21	M0226233	SUB TO PD920174 - 10 X 7/8 PHILLIPS SMA TRI LOBE SA	1	EA	
22	PC020231	CAM DOOR CLOSURE TOP WHITE	1	EA	
23	M6096628	SPCR HINGE REP V12530201/V12493901	1	EA	
24	M0202528	SCREW-MACH #	1	EA	

DOOR SKIN MATRIX

REFRIGERATOR/FREEZER DOOR SKIN MATRIX						
Model	*FRZ Door Viking Part Number	Handle Location	Hinge Version	*REF Door Viking Part Number	Handle Location	Hinge Version
VCSB423-Professional 42" SxS	B/L2099428 and C9099428	See Figure 1-Previous	Cobra	B/L2099427 and C9099427	See Figure 1-Previous	Cobra
VCSB423-Professional 42" SxS	B/L2099994 and C9099994	See Figure 2-Current	Cobra	B/L2099993 and C9099993	See Figure 2-Current	Cobra
VCSB423D-Professional 42" SxS Dispenser	B/L2099009 and C9099009	See Figure 1-Previous	Cobra	B/L2099427 and C9099427	See Figure 1-Previous	Cobra
VCSB423D-Professional 42" SxS Dispenser	B/L20911393 and C20911393	See Figure 2-Current	Cobra	B/L2099993 and C9099993	See Figure 2-Current	Cobra
VCSB482-Professional 48" SxS	B/L2096939 and C9096939	See Figure 1-Previous	Extrusion/Plate	B/L2096940 and C9096940	See Figure 1-Previous	Extrusion/Plate
VCSB483-Professional 48" SxS	B/L2096939 and C9096939	See Figure 1-Previous	Extrusion/Plate	B/L2096940 and C9096940	See Figure 1-Previous	Extrusion/Plate
VCSB483-Professional 48" SXS (G-series)	B/L20913724 and C90913724	See Figure 2-Previous	Cobra	B/L20913723 and C90913723	See Figure 2-Previous	Cobra
VCSB483-Professional 48" SXS (H-series)	B/L20910040 and C90910040	See Figure 2-Current	Cobra	B/L20910039 and C90910039	See Figure 2-Current	Cobra
VCSB483D-Professional 48" SxS Dispenser	B/L2098301 and C9098301	See Figure 1-Previous	Extrusion/Plate	B/L2096940 and C9096940	See Figure 1-Previous	Extrusion/Plate
VCSB483D-Professional 48" SxS Dispenser	B/L2099992 and C9099992	See Figure 2-Current	Extrusion/Plate	B/L2099991 and C9099991	See Figure 2-Current	Extrusion/Plate
VCSB483D-Professional 48" SXS Dispenser (H-series)	B/L20913006 and C90913006	See Figure 2-Current	Cobra	B/L20910039 and C90910039	See Figure 2-Current	Cobra
	*LEFT Door Viking Part Number	Handle Location	Hinge Version	*RIGHT Door Viking Part Number	Handle Location	Hinge Version
VCFB364-Professional 36" All Freezer	**B/L2098381 and C9098381	See Figure 2-Current	Cobra	**B/L2098383 and C9098383	See Figure 2-Current	Cobra
VCRB364-Professional 36" All Refrigerator						
VCFB304-Professional 30" All Freezer	**B/L2099067 and C9099067	See Figure 2-Current	Cobra	**B/L2099069 and C9099069	See Figure 2-Current	Cobra
VCRB304-Professional 30" All Refrigerator						

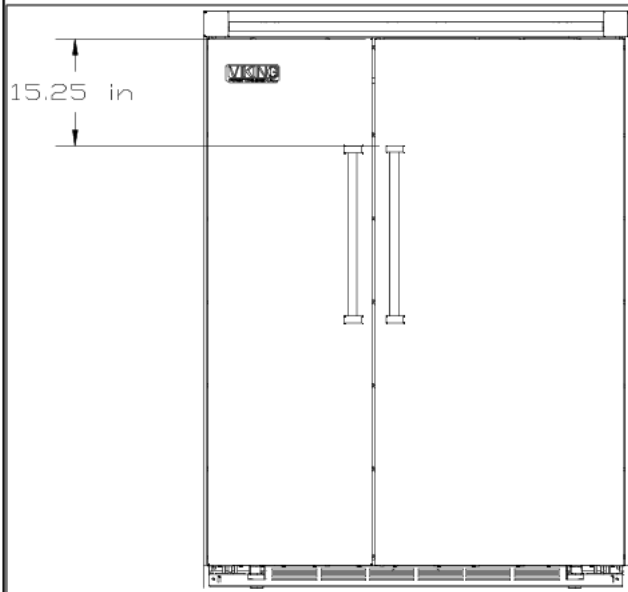


FIGURE 1-PREVIOUS HANDLE LOCATION DIMENSION

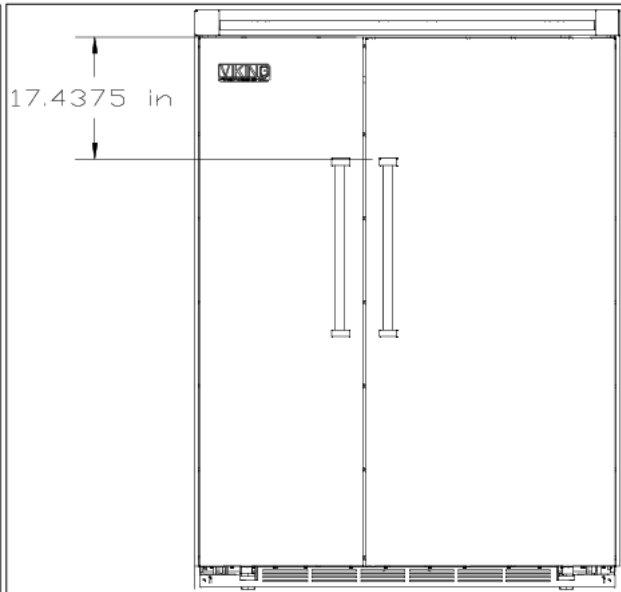
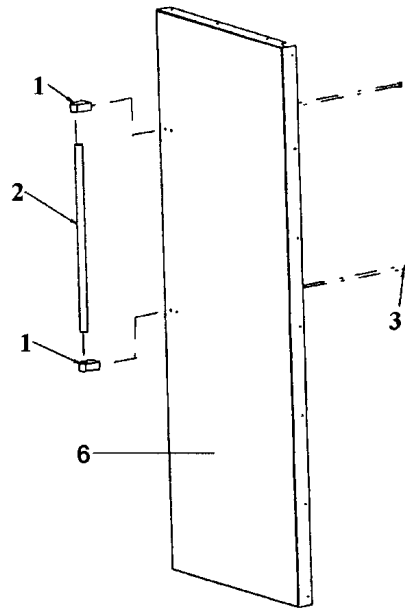


FIGURE 2-CURRENT HANDLE LOCATION DIMENSION

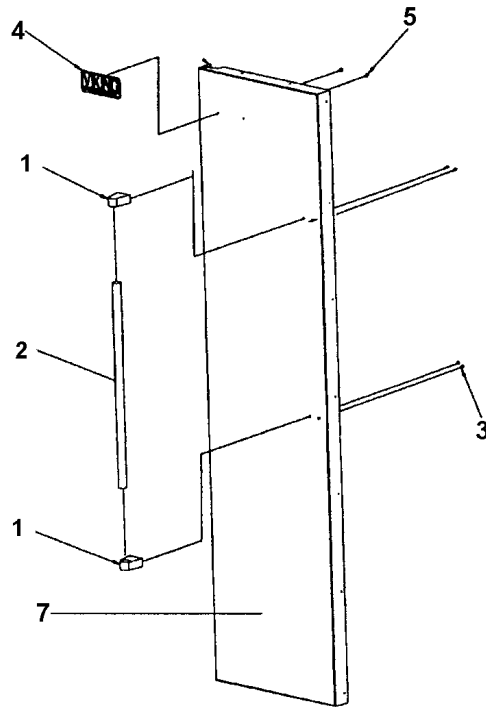
**NOTES:**  
 \* B = Stainless Steel, C = Painted, all colors except WH and BK, L = Prepainted WH and BK  
 \* Color code must be added for all parts except "B/Stainless Steel"

DOOR SKINS

Refrigerator Skin



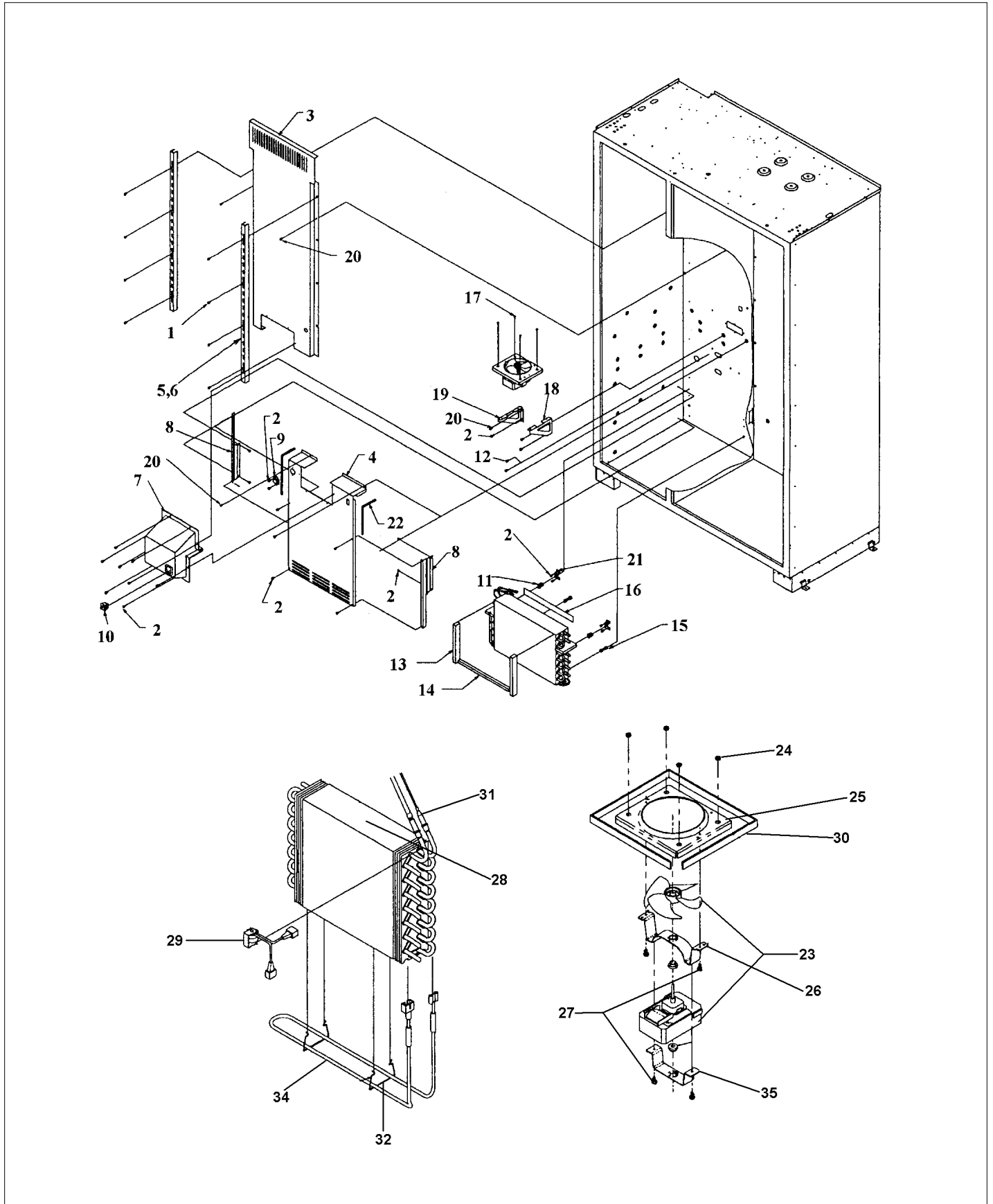
Freezer Skin





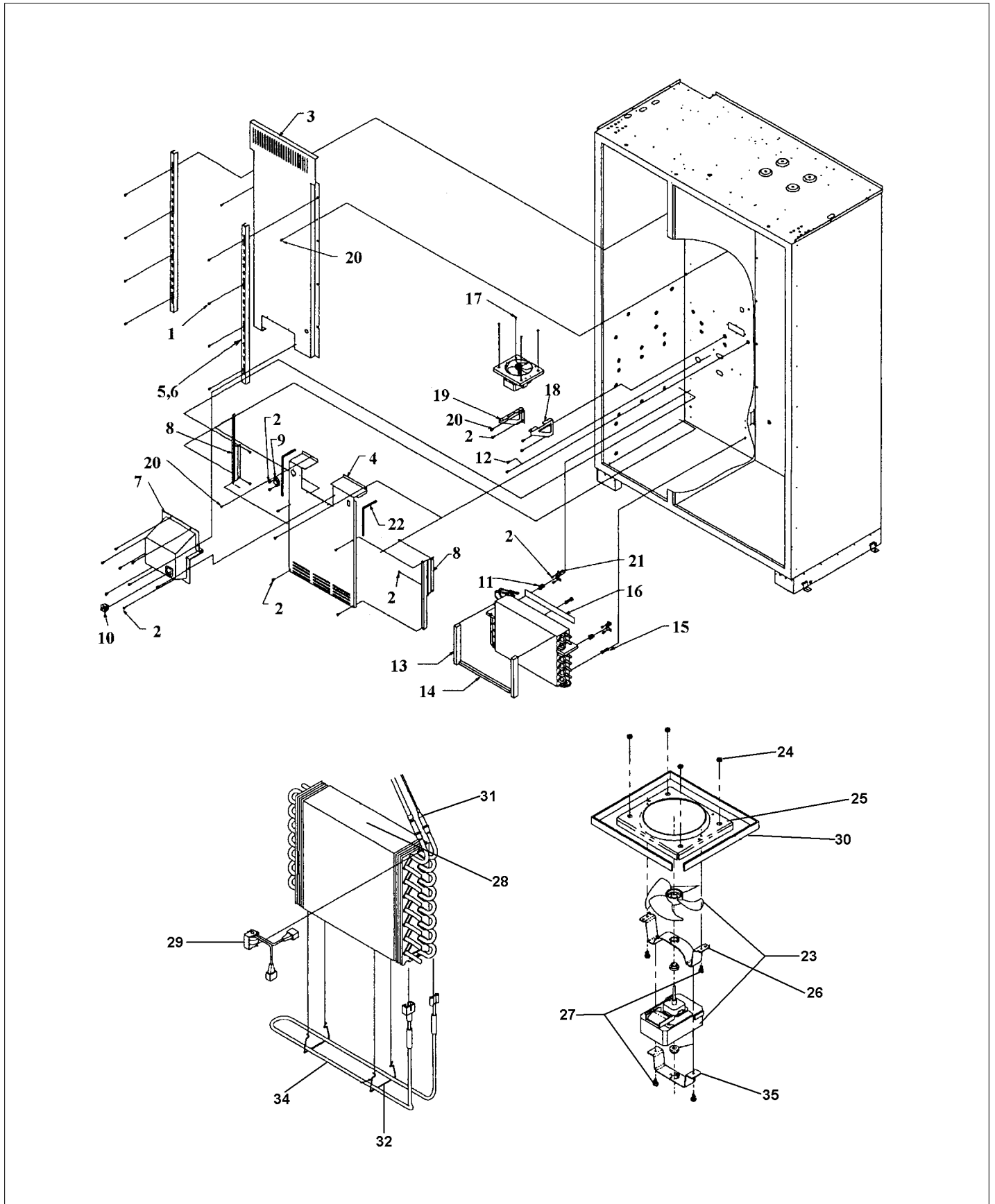
Item	Part No.	Name	Qty	Uom	NOTES
1	000268-000	HANDLE ENDCAP	1	EA	
1	PE030001PVD	END CAP DOOR HANDLE *BR	1	EA	
2	PE930101	VCSB482 HANDLE -(12466403)	1	EA	
2	PE030032	DOOR HANDLE *BR* (VGSO166) D	1	EA	
3	M0204303	SCREW-MACH	1	EA	
4	PE010030	LOGO	1	EA	
4	PE010068	LOGO 6" (VGRC) BK/BR	1	EA	
4	PE010031	LOGO 6" (VGRC) *BK/WH*	1	EA	NO LONGER AVAILABLE
4	PE010076	LOGO 6" (VGRC) *BR/WH*	1	EA	NO LONGER AVAILABLE
5	PD030006	CAPPED WASHER PAL NUT	1	EA	
6	SEE MATRIX	REFRIGERATOR DOOR SKIN	1	EA	
7	SEE MATRIX	FREEZER DOOR SKIN	1	EA	
NI	10921223	Foam Block EPS - Frz. Door	1	EA	Not available online / Call for pricing and availability
NI	10921224	STYROFOAM BLOCK, REF. DOOR (QTY. 2)	1	EA	Not available online / Call for pricing and availability

EVAP AREA ASSY





Item	Part No.	Name	Qty	Uom	NOTES
1	M0232903	SCREW-SE	1	EA	NO LONGER AVAILABLE
2	M0238616	SCREW, SMALL	1	EA	
3	C2096451WH	UPPER EVAPORATOR COVER, E CT	1	EA	Not available online / Call for pricing and availability
4	L2096452	COVER - LOWER EVAP 48"SXS	1	EA	
5	12231701	LADDER-FZ L/R SIDE 42/48	1	EA	
6	12233801	GASKET-FZ LADDER	1	EA	NO LONGER AVAILABLE, Not available online / Call for pricing and availability
7	PK930150	COVER CTR EVAP SXS	1	EA	
8	K2096461	BRKT-EVAP COVER 12234801	1	EA	
9	C8983701	THERMISTOR	1	EA	
10	C3680309	FAN SWITCH (E3101AA)	1	EA	
11	10623003	CLIP-EVAP	1	EA	
12	M0232903	SCREW-SE	1	EA	NO LONGER AVAILABLE
13	A3030361	GASKET RED	1	EA	
14	A3030303	GASKET	1	EA	
15	10527401	CLIP-EVAP	1	EA	
16	A3189370	GASKET-FOAM VA3189370	1	EA	
17	M0238859	SCREW-SHLDR	1	EA	
18	K2096457	BRKT-R-EVAP FAN 12223101	1	EA	
19	K2096458	BRKT-L-EVAP-FAN 12223102	1	EA	
20	M0232929	SCREW-SE	1	EA	
21	K2096456	BRKT-EVAP CLIP 12215101	1	EA	
22	A3189368	GASKET-FOAM VA3189368	1	EA	
23	G5098660	FAN EVAP ASM PANASONIC	1	EA	
24	12234001	GROMMET-VIBRATION	1	EA	
25	12198301	SHROUD, EVAPORATOR FAN	1	EA	Not available online / Call for pricing and availability
26	10771801	BRKT-MTR/SHROUD	1	EA	NO LONGER AVAILABLE

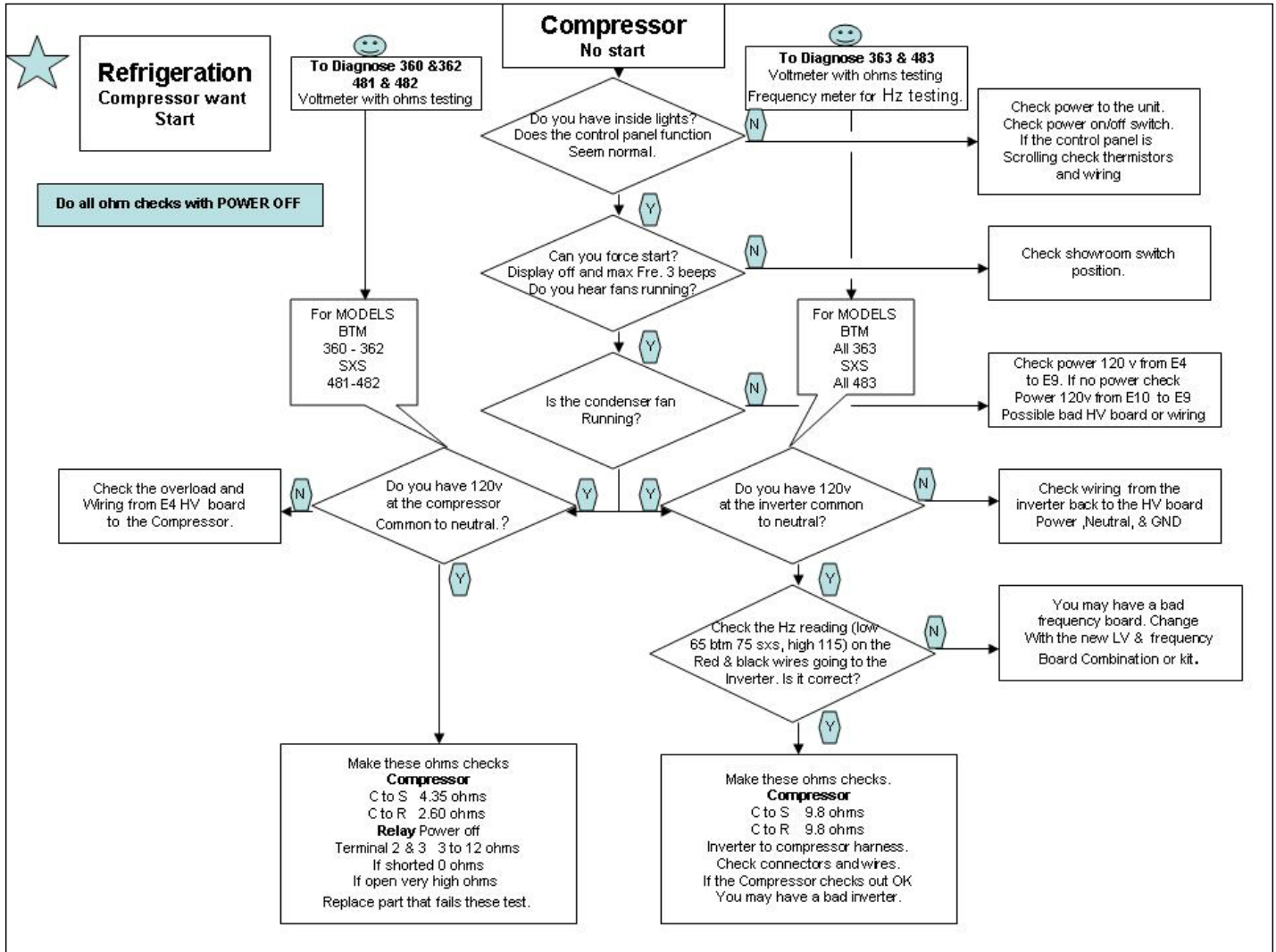




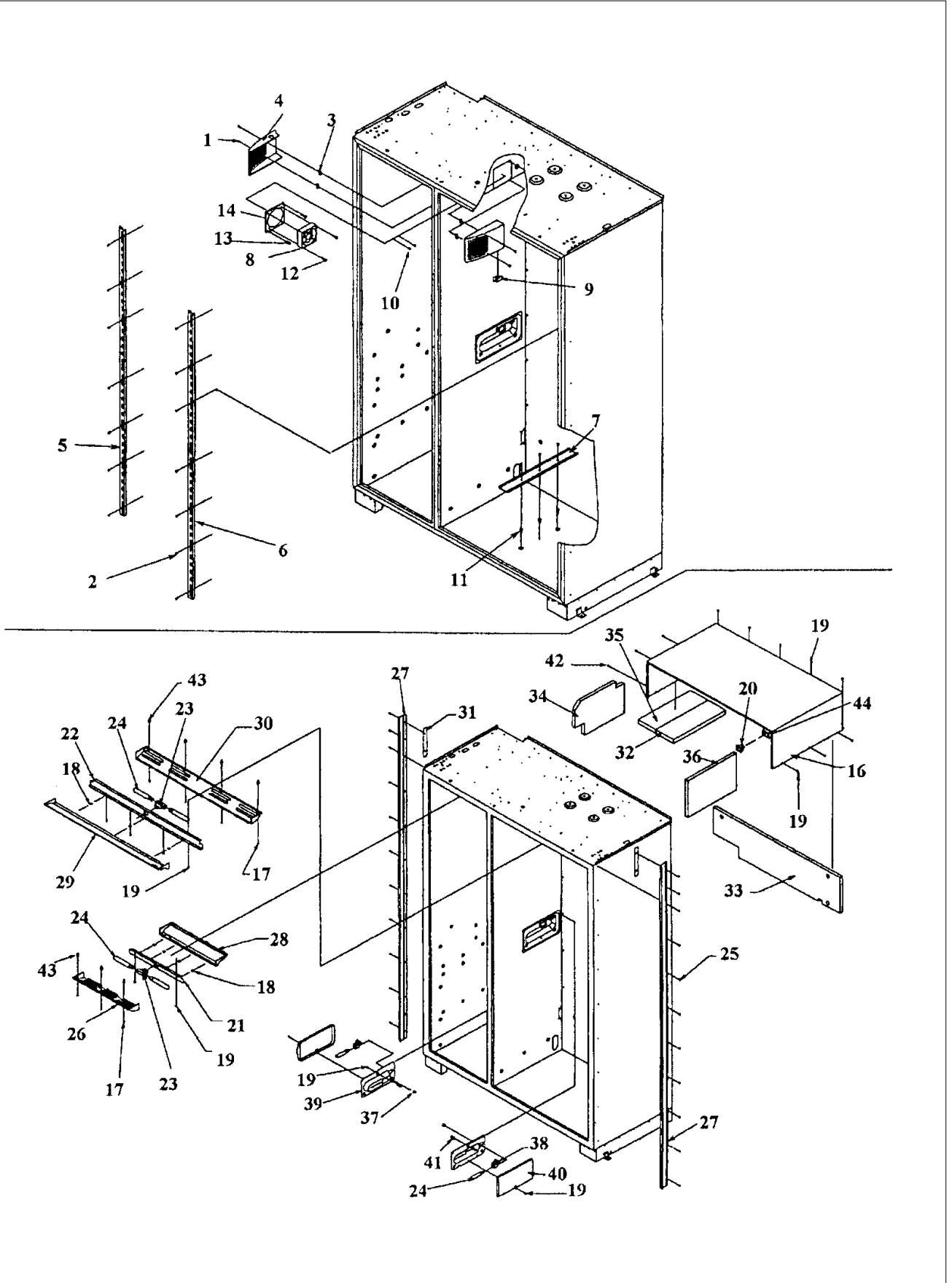
Item	Part No.	Name	Qty	Uom	NOTES
27	M0224416	SCREW-SM	1	EA	
28	PM910206	EVAPORATOR SXS 48	1	EA	
29	058966-000	THERMOSTAT, SNAP ACTION, 55 OPEN 20 CLOSE	1	EA	
30	A3030302	GASKET GRN SL	1	EA	
31	031006-000	HEAT EXCHANGER ASM BM 36	1	EA	
32	10428101	CLIP-EVAP HTR V10428101	1	EA	
33	A1017202	GROMMET-FAN VA1017202	1	EA	
34	10428411	HEATER-EVAP	1	EA	
35	10771701	BRKT-EVAP FAN	1	EA	NO LONGER AVAILABLE



FLOW CHART NO COMPRESSOR

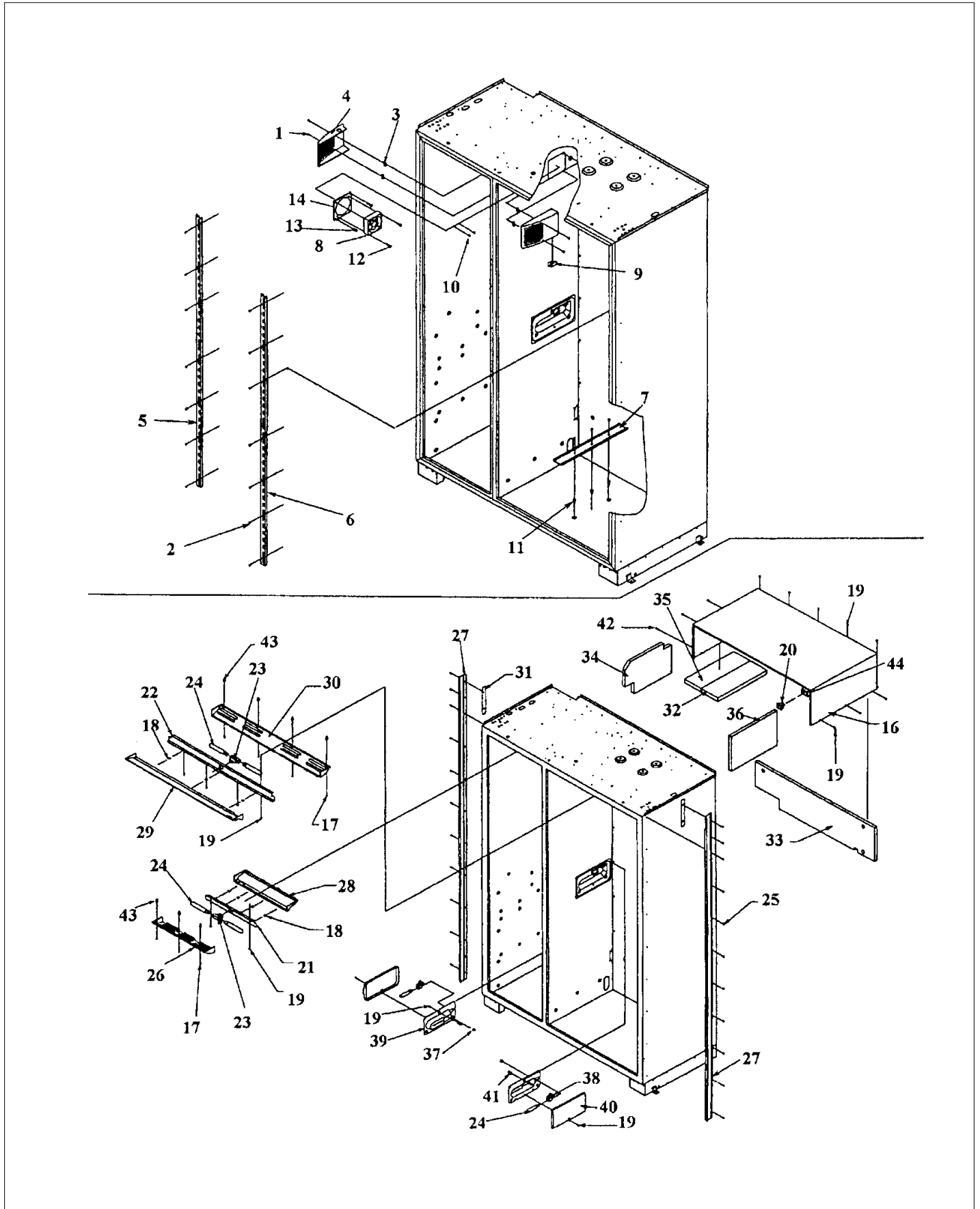


LADDERS



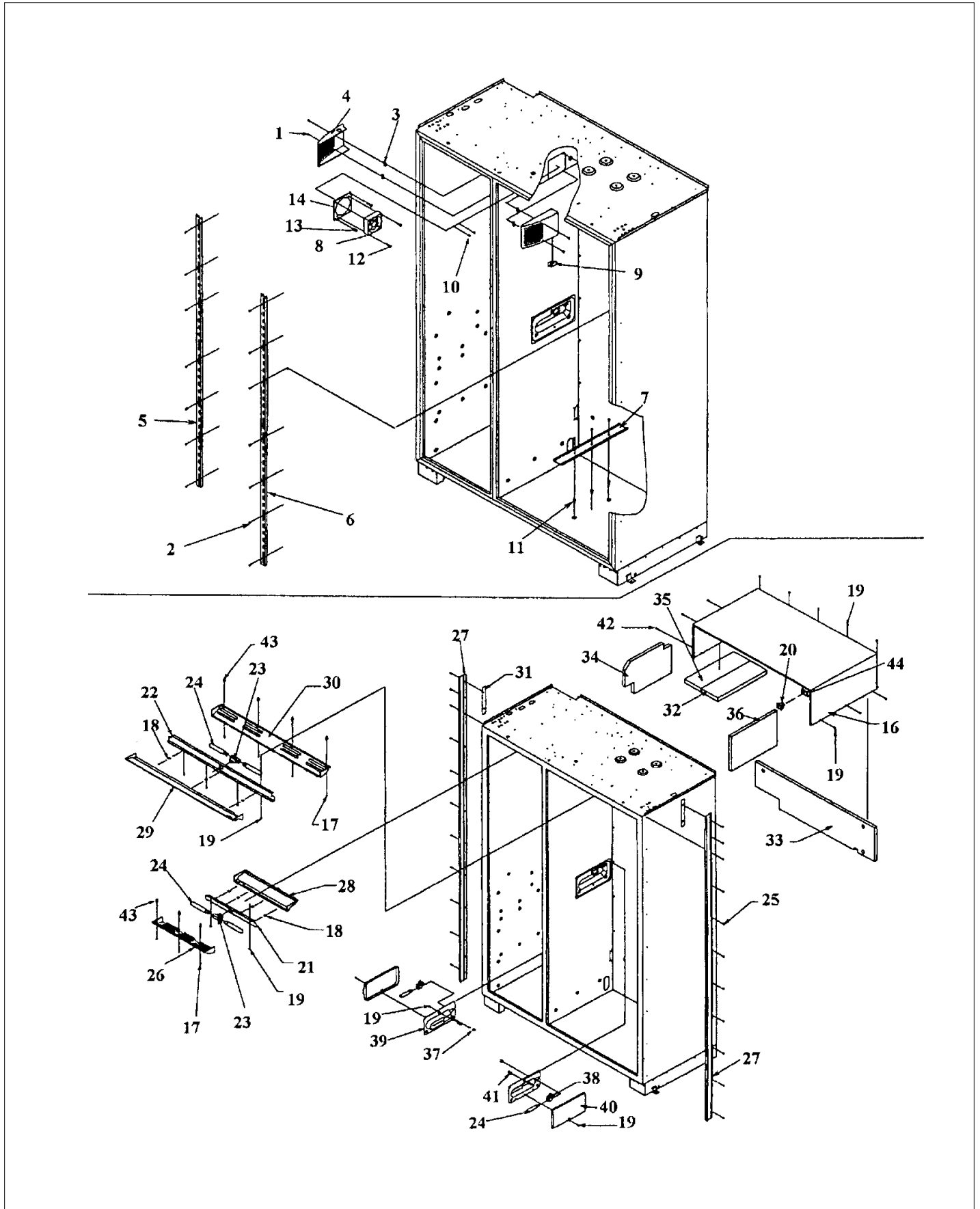


Item	Part No.	Name	Qty	Uom	NOTES
1	M0221913	SCREW-SM	1	EA	
2	M0238535	SCREW-SM	1	EA	
3	M0288120	NUT-SPEED VM0288120	1	EA	
4	V12203701	SUB TO PK930085 - COVER-FAN	1	EA	NO LONGER AVAILABLE, Not available online / Call for pricing and availability
5	12257901	LADDER-R SIDE REF	1	EA	NO LONGER AVAILABLE
6	12230901	LADDER-R SIDE REF	1	EA	NO LONGER AVAILABLE, Not available online / Call for pricing and availability
7	12118901	TRACK-DELI DRAWER	1	EA	
8	004551-000	AXIAL FAN	1	EA	
<p>Comments for Part Num. 004551-000</p> <p>gboltz@VikingRange.com on Jul 21, 2016</p> <p>View service bulletin TR-0052-SP before ordering fan, if applicable order kit instead of fan</p>					
9	C8983701	THERMISTOR	1	EA	
10	M0232903	SCREW-SE	1	EA	NO LONGER AVAILABLE
11	M0581001	GROMMET-SCREW VM0581001	1	EA	
12	M0218136	SCREW-SM	1	EA	NO LONGER AVAILABLE, Not available online / Call for pricing and availability
13	M0218137	SCREW-SM	1	EA	
14	K2096475	FAN MOUNTING PLATE	1	EA	
15	12102501	RET-HARNESS	1	EA	
NI	M0321202	TIE-ELEC	1	EA	
16	G3096496	MC COVER WELD 12213401	1	EA	NO LONGER AVAILABLE
17	M0238846	SCREW-SHLDR	1	EA	
18	M0108201	CLIP-S	1	EA	NO LONGER AVAILABLE
19	M0238616	SCREW, SMALL	1	EA	





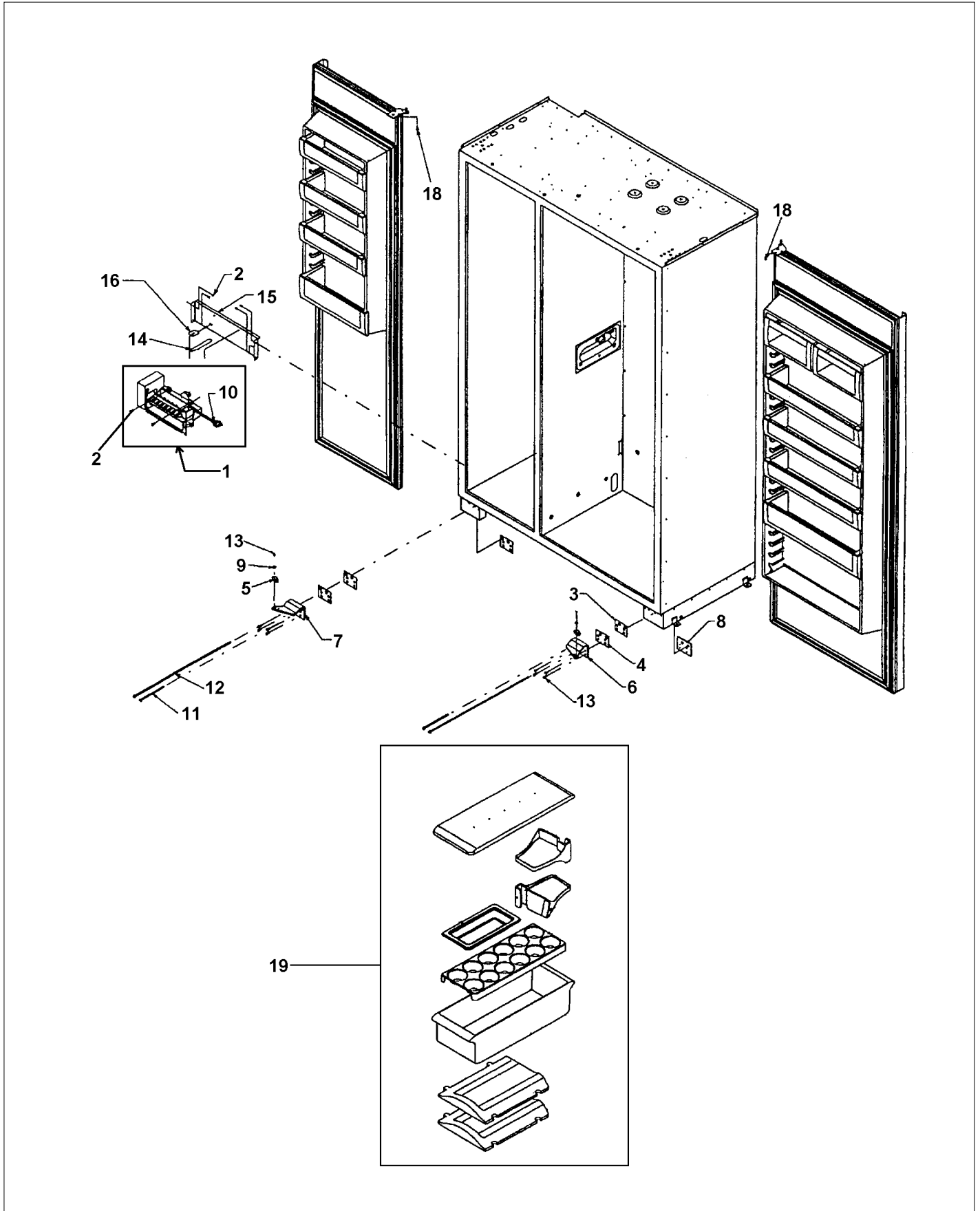
Item	Part No.	Name	Qty	Uom	NOTES
20	PE950149	SWITCH POWER	1	EA	
21	L2096422	BRKT-FZ LIGHT 12055701	1	EA	NO LONGER AVAILABLE
22	L2096443	BRKT-REF LIGHT 12184301	1	EA	NO LONGER AVAILABLE
23	12096901	SOCKET-LIGHT	1	EA	NO LONGER AVAILABLE
24	004528-000	LAMP, 40 WATT CLEAR LIGHT	1	EA	
25	M0220417	SCREW-TC	1	EA	
26	PK930253	LENS LIGHT BM 36" FZ	1	EA	
27	B2096406	RETAINER, CABINET - SS	1	EA	
27	C2096406	SUB TO C9396406BR	1	EA	NO LONGER AVAILABLE, Not available online / Call for pricing and availability
28	12074501	COVER-FZ LIGHT	1	EA	
29	12184401	COVER, REFRIGERATOR LIGHT - NLA	1	EA	
30	12184501	LENS, REFRIGERATOR LIGHT	1	EA	Not available online / Call for pricing and availability
31	12135402	SHIM-CAB TRIM	1	EA	
32	12074701	INSUL-MC CVR V12074701	1	EA	
33	12184901	INSUL-BACK MC CVR	1	EA	Not available online / Call for pricing and availability
34	12074601	INSUL-L MC CVR V12074601	1	EA	
35	12074704	INSUL-MC CVR	1	EA	
36	12074702	INSUL-R MC CVR V12074702	1	EA	
37	B5733302	CLIP-GROUND	1	EA	
38	10281601	SOCKET-SGL LIGHT	1	EA	
39	10270203	HOUSING-LIGHT V10270203	1	EA	
40	10270101	COVER, LIGHT	1	EA	
41	M0580007	GROMMET-SCREW	1	EA	
42	A4539601	DAMPER-TUBING .8	1	EA	Not available online / Call for pricing and availability





Item	Part No.	Name	Qty	Uom	NOTES
43	M0581001	GROMMET-SCREW VM0581001	1	EA	
44	10942703	PWR SW BRACKET- E CT	1	EA	Not available online / Call for pricing and availability
NI	013112-000	NOISE REDUCTION FAN KIT	1	EA	

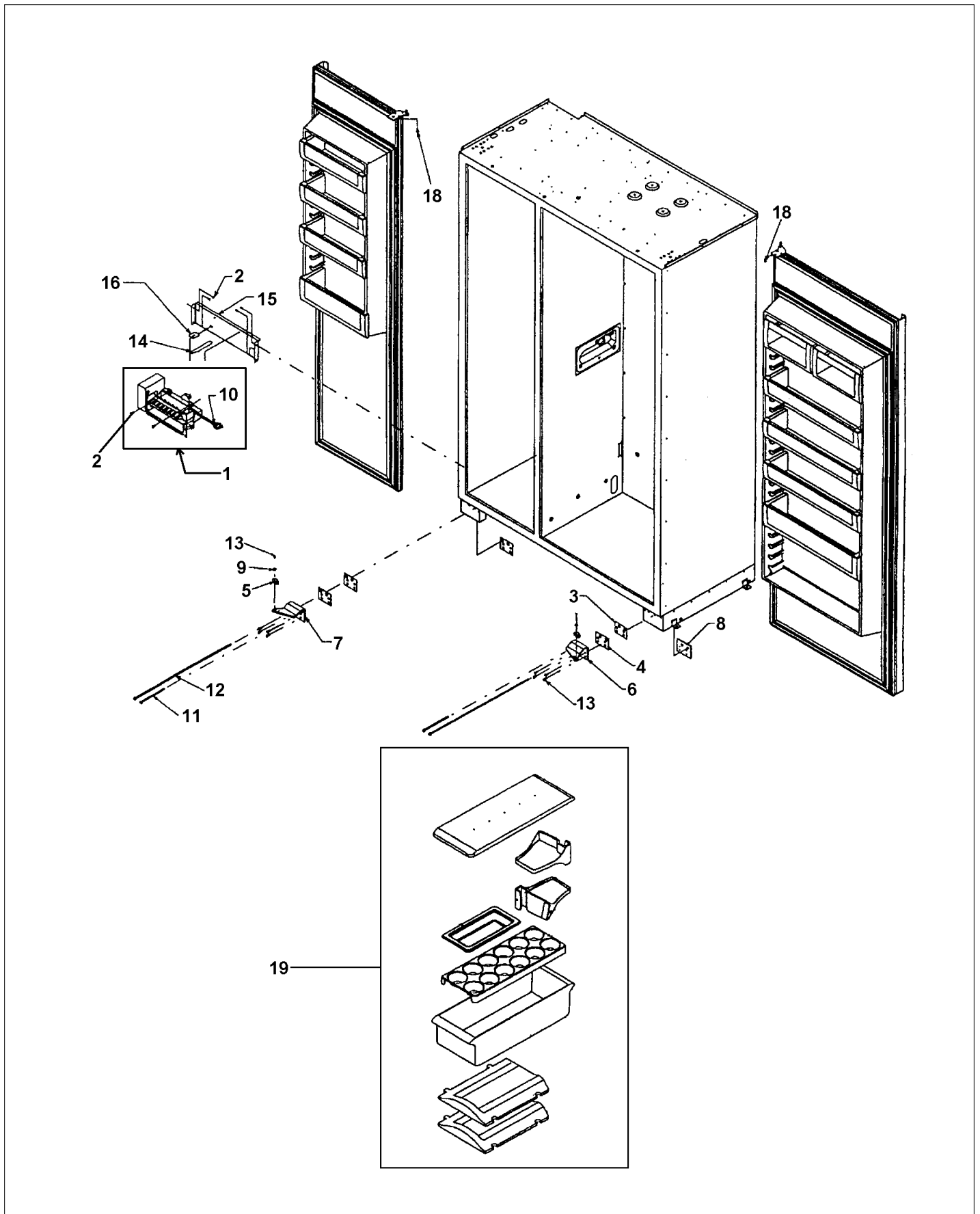
LOWER HINGES







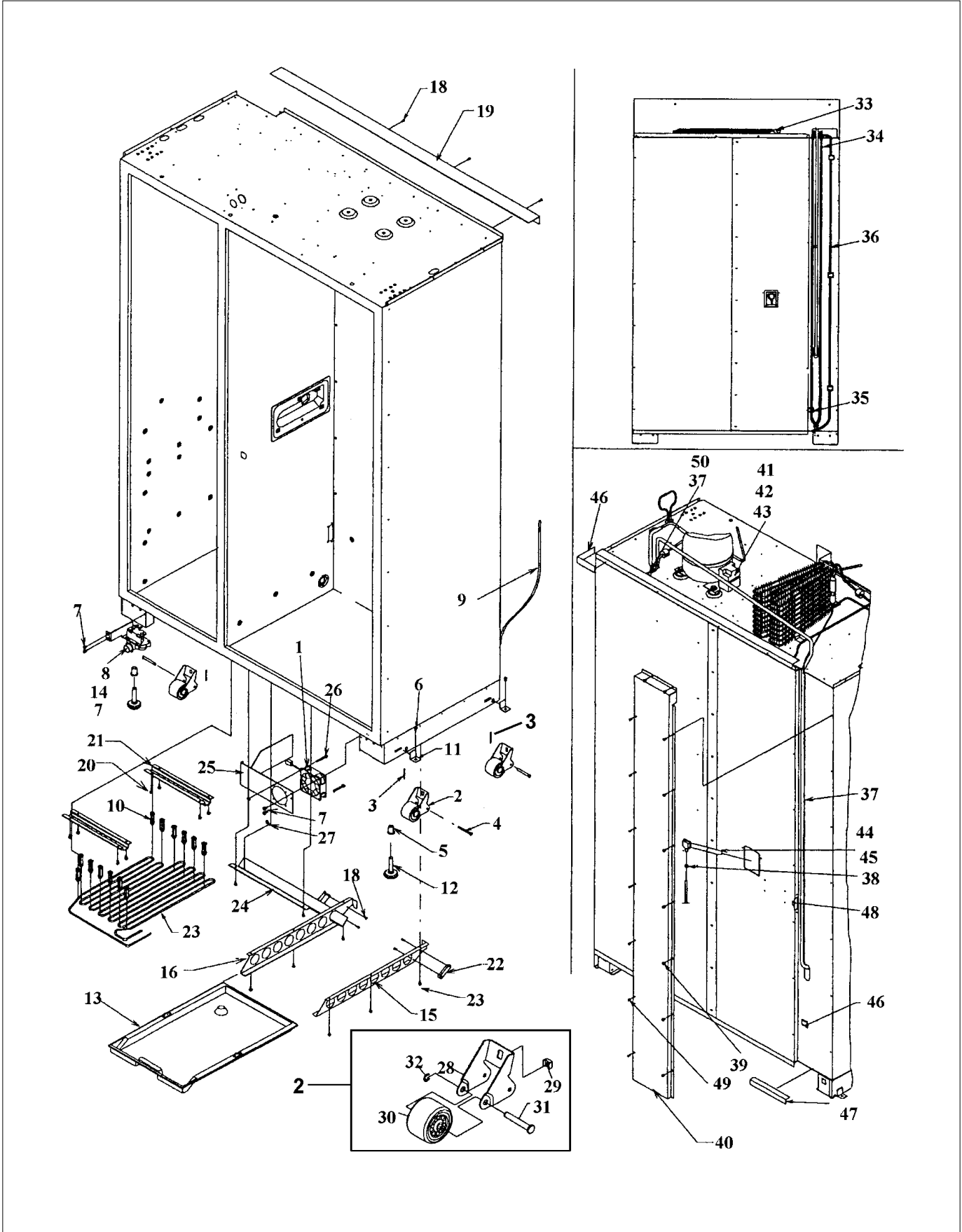
Item	Part No.	Name	Qty	Uom	NOTES
1	G50911858	ICE MAKER ASM, NLA, order components, see TR-0023C-SP	1	EA	NO LONGER AVAILABLE
<p>Comments for Part Num. G50911858</p> <p>jennifer@thetrend.com on Feb 12, 2016 It would be nice to have the ice maker in the right location. Even better if it gave the right part number.</p> <p>vharding68@verizon.net on Mar 16, 2016 Doesn't matter where it is or the part number....There has been a bulletin on these ice makers since November of 2007 (Btw...it is superseded by another bulletin that is prior to that date). Bulletin number TR-0023B-SP</p> <p>Val @ bob's, pa bradleysapplianceservice@shaw.ca on Sep 1, 2016 SERVICE BULLETIN: TR-0023B-SP SUBS TO: 002252-000 ICE MAKER MODULE 002251-000 ICE MAKER BAIL ARM 002253-000 ICE MAKER WIRE HARNESS</p> <p>platinumcares@aol.com on Dec 4, 2017 i/m assy #002252-000 wire harness 002253-000 arm # 002251-000</p> <p>you will need all three</p>					
2	M0238616	SCREW, SMALL	1	EA	
3	K2096449	SHIM-LOWER HINGE 12198501	1	EA	
4	K2096450	SHIM-LOWER HINGE 12198502	1	EA	
5	PC020231	CAM DOOR CLOSURE TOP WHITE	1	EA	
6	PC920060	LOWER HINGE ASSY - RH (S X S)	1	EA	
7	PC920061	LOWER HINGE LH VCSB482	1	EA	
8	12337901	HINGE TAP PLATE	1	EA	Not available online / Call for pricing and availability
9	M0272803	WASHER-LOCK	1	EA	
10	M0321202	TIE-ELEC	1	EA	





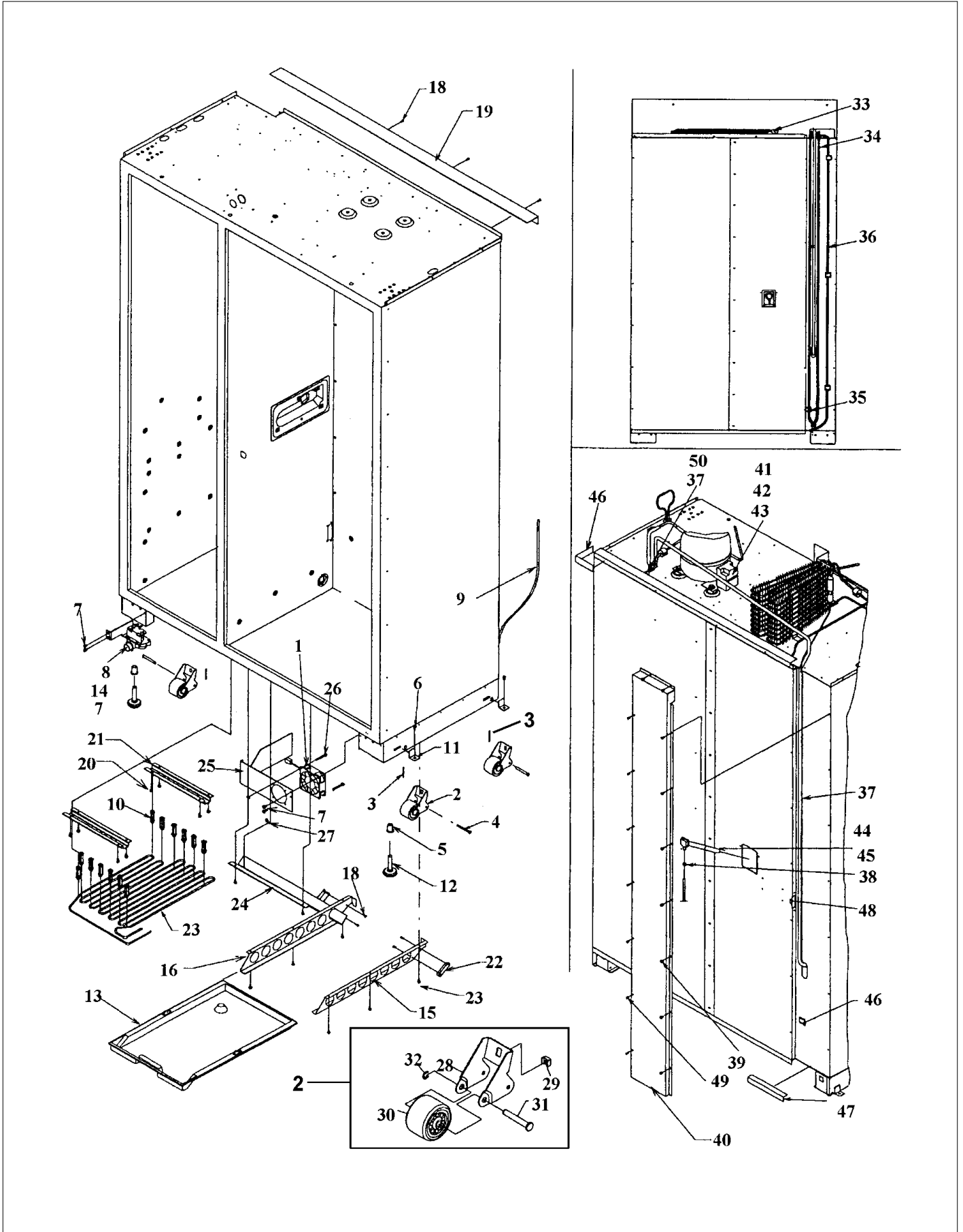
Item	Part No.	Name	Qty	Uom	NOTES
11	M0204339	SCREW-ADJ ROLLER VM0204339	1	EA	
12	10093305	SCREW-ADJ ROLLER V10093305	1	EA	
13	M0202528	SCREW-MACH #	1	EA	
14	A3127415	EXT-FILL TUBE	1	EA	
15	C9096463WH	ND IM SUPPORT -	1	EA	
16	K2096464	BKT-ND IM 12265501	1	EA	
17	M0238734	SCREW-TF	1	EA	NO LONGER AVAILABLE
18	M0220928	SCREW, SHOULDER	1	EA	
NI	10526701	CLAMP-WIRE V10526701	1	EA	
NI	G5096513	48" TOE GRILLE PACKED ASSY	1	EA	
NI	M0270510	WASHER #	1	EA	
19	019244-000	ACCESSORY, ASM	1	EA	

ROLLERS



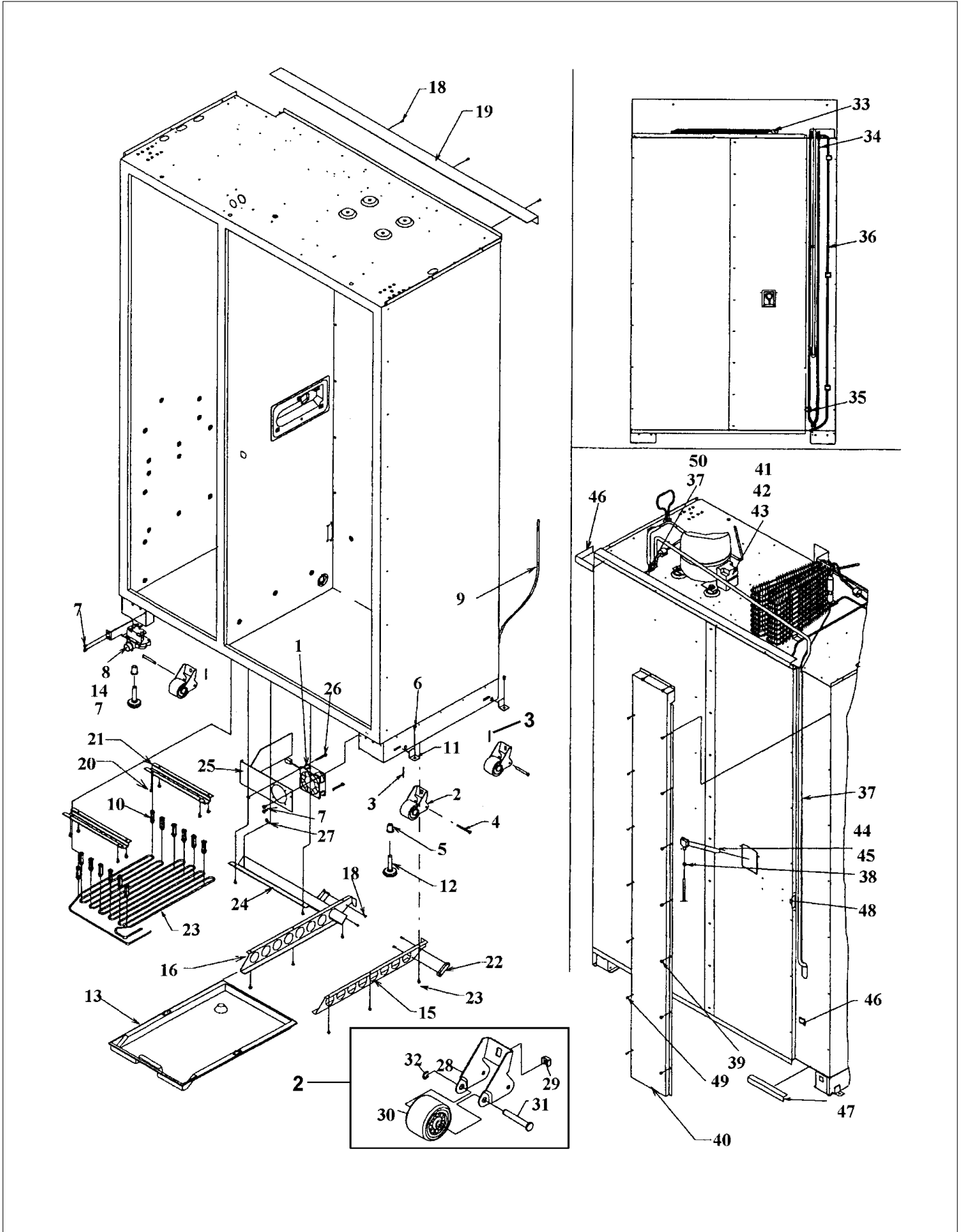


Item	Part No.	Name	Qty	Uom	NOTES
1	004551-000	AXIAL FAN	1	EA	
Comments for Part Num. 004551-000					
gboltz@VikingRange.com on Jul 21, 2016					
View service bulletin TR-0052-SP before ordering fan, if applicable order kit instead of fan					
2	G5096596	ROLLER BRKT ASSY RPLCS G5096490	1	EA	
3	M1200004	PIN-COTTER	1	EA	
4	M1200203	PIN-CLEVIS	1	EA	
5	M0295308	NUT-RIVET VM0295308	1	EA	
6	M0267153	SCREW-MACH VM0267153	1	EA	NO LONGER AVAILABLE, Not available online / Call for pricing and availability
7	M0220417	SCREW-TC	1	EA	
8	G50911821	WATER VALVE KIT	1	EA	
NI	10244906S	WATER VALVE COUPLING	1	EA	
9	PB920209	TUBE-PLASTICá	1	EA	Not available online / Call for pricing and availability
10	12071201	CLIP-DRAIN LOOP	1	EA	
11	K2096427	BRKT-SHIPPING 12071102	1	EA	
12	12150601	FOOT-LEVELING V12150601	1	EA	
13	12071301	PAN, DRAIN	1	EA	
14	M0753001	NUT-SLEEVE	1	EA	
15	K2096459	RAIL-PAN 12234701	1	EA	
16	K2096460	RAIL-PAN 12234702	1	EA	
17	A1055101	SPRING-ANTI KINK	1	EA	NO LONGER AVAILABLE
18	PC040010	POP RIVET (.063/GR -.125) GAMD42-A	1	EA	
19	K2096442	SHIELD-POWER CORD 12180503	1	EA	NO LONGER AVAILABLE, Not available online / Call for pricing and availability
20	M0224416	SCREW-SM	1	EA	





Item	Part No.	Name	Qty	Uom	NOTES
21	K2096455	BRKT-SERP. CLIP 12215001	1	EA	NO LONGER AVAILABLE
22	K2096439	ANGLE-DRAIN PAN 12143801	1	EA	
23	F2096550	SERPENTINE DRAIN SXS	1	EA	
24	L2096474	TROUGH-DRAIN REP V12349801	1	EA	
25	K2096473	BRKT-DC FAN 12349201	1	EA	
26	5149-P	SCREW, MACHINE	1	EA	Not available online / Call for pricing and availability
27	VM0280801	NUT, HEX	1	EA	
28	K2196420	BRACKET, ROLLER	1	EA	Not available online / Call for pricing and availability
29	M0286708	NUT-SPEED	1	EA	
30	12034201	ROLLER-CABINET	1	EA	
31	M1252901	CLEVIS GROOVED	1	EA	
32	M0273801	RING-RETAINING	1	EA	
33	10916507	CORD-POWER 5 SERIES	1	EA	
34	PB970189	INSULATION TUBING 70.000	1	EA	
35	M0104106	CLIP-CORD VM0104106	1	EA	
36	12527801	HARNES-FAN MOTOR	1	EA	NO LONGER AVAILABLE, Not available online / Call for pricing and availability
37	M0238616	SCREW, SMALL	1	EA	
38	12115101	CLAMP-TUBE V12115101	1	EA	
39	M0238616	SCREW, SMALL	1	EA	
40	K2096444	COVER-HT EXCHANGE 12187701	1	EA	
41	10377015	OVERLOAD-4TM V10377015	1	EA	
42	10097202	RELAY-PTC V10097202	1	EA	
43	10757301	COVER, TERMINAL	1	EA	Not available online / Call for pricing and availability
44	G5096419	FILL TUBE ASSY	1	EA	

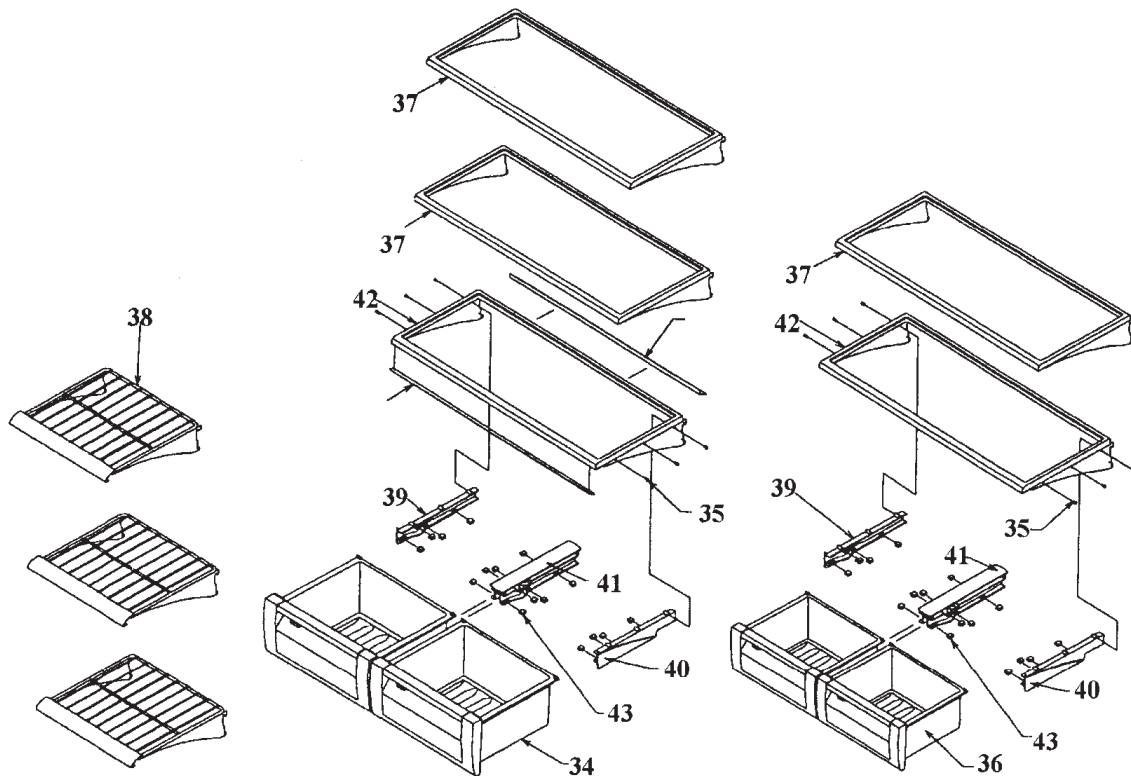
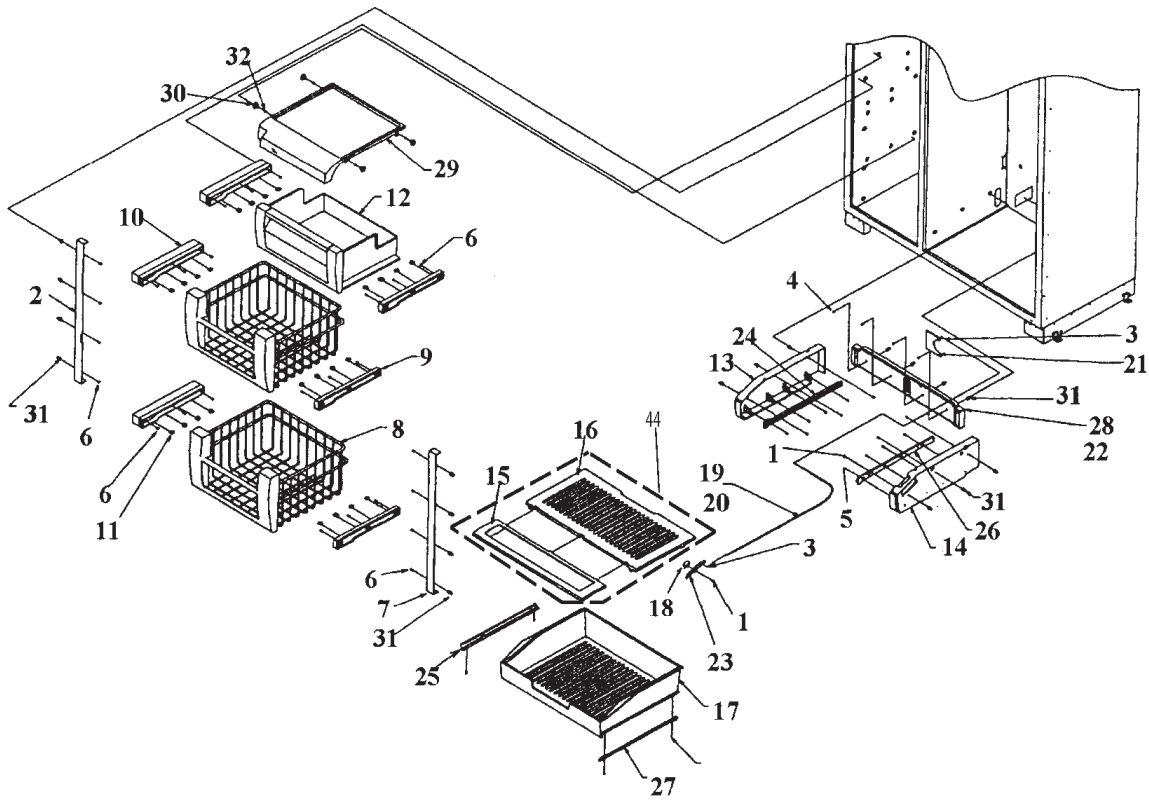






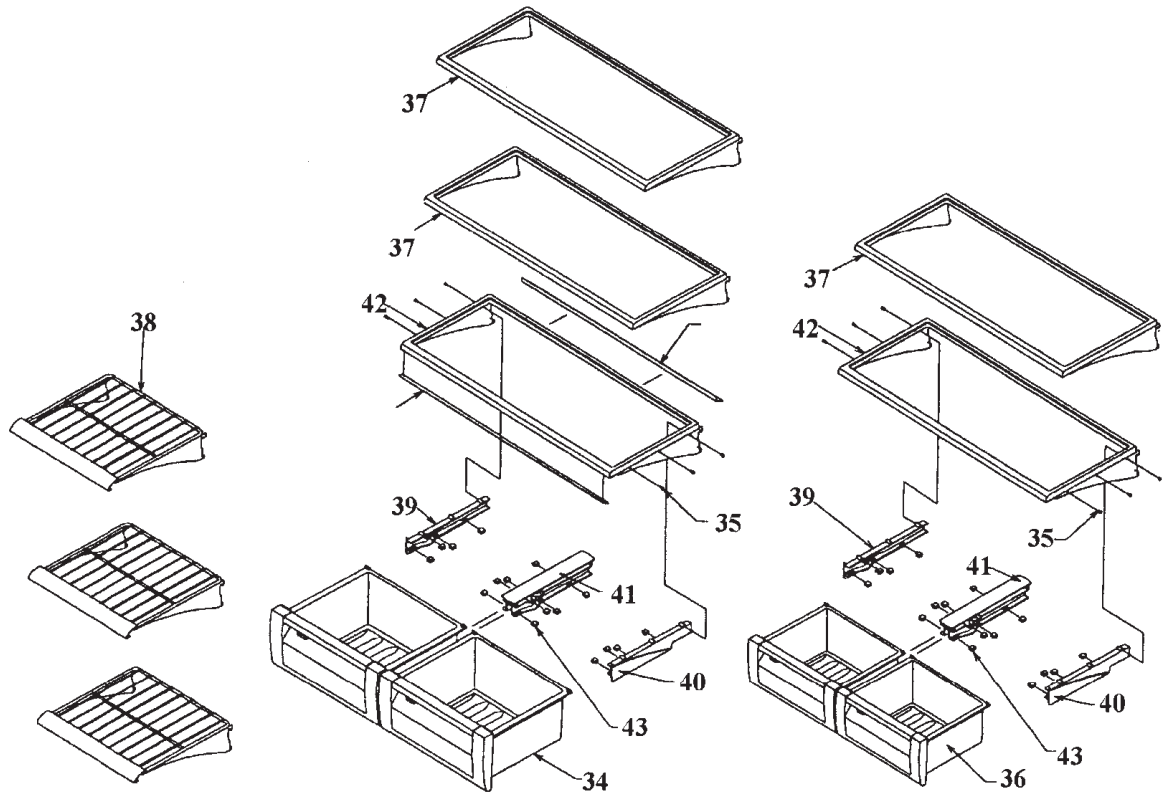
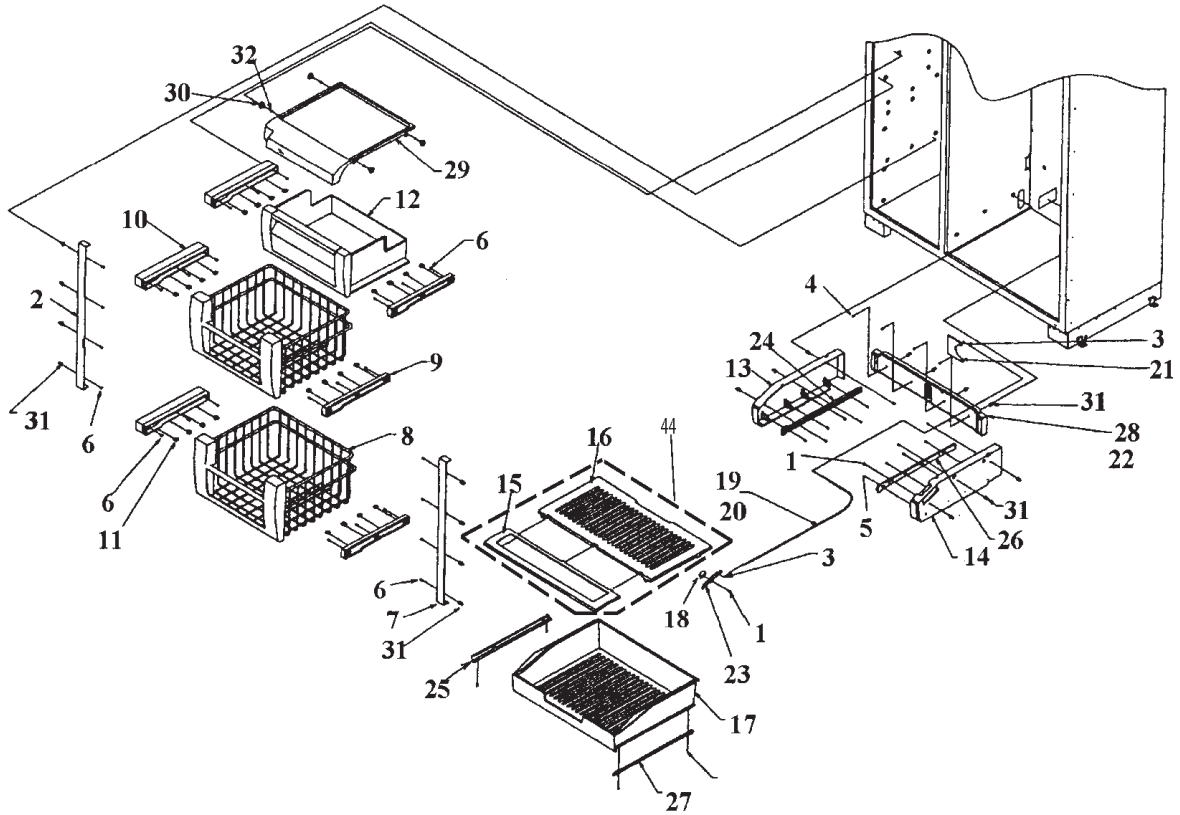
Item	Part No.	Name	Qty	Uom	NOTES
Comments for Part Num. G5096419					
bradleysapplianceservice@shaw.ca on May 11, 2018					
This part G5096419 does NOT come with the aluminum tube.					
If aluminum tube is required, order 005899-000 and cut to size.					
45	015811-000	EXT-FILL TUBE	1	EA	
46	M0104106	CLIP-CORD VM0104106	1	EA	
47	A3189370	GASKET-FOAM VA3189370	1	EA	
48	A3189371	GASKET, FOAM	1	EA	Not available online / Call for pricing and availability
49	PC040010	POP RIVET (.063/GR -.125) GAMD42-A	1	EA	

SHELVING - CRISPER



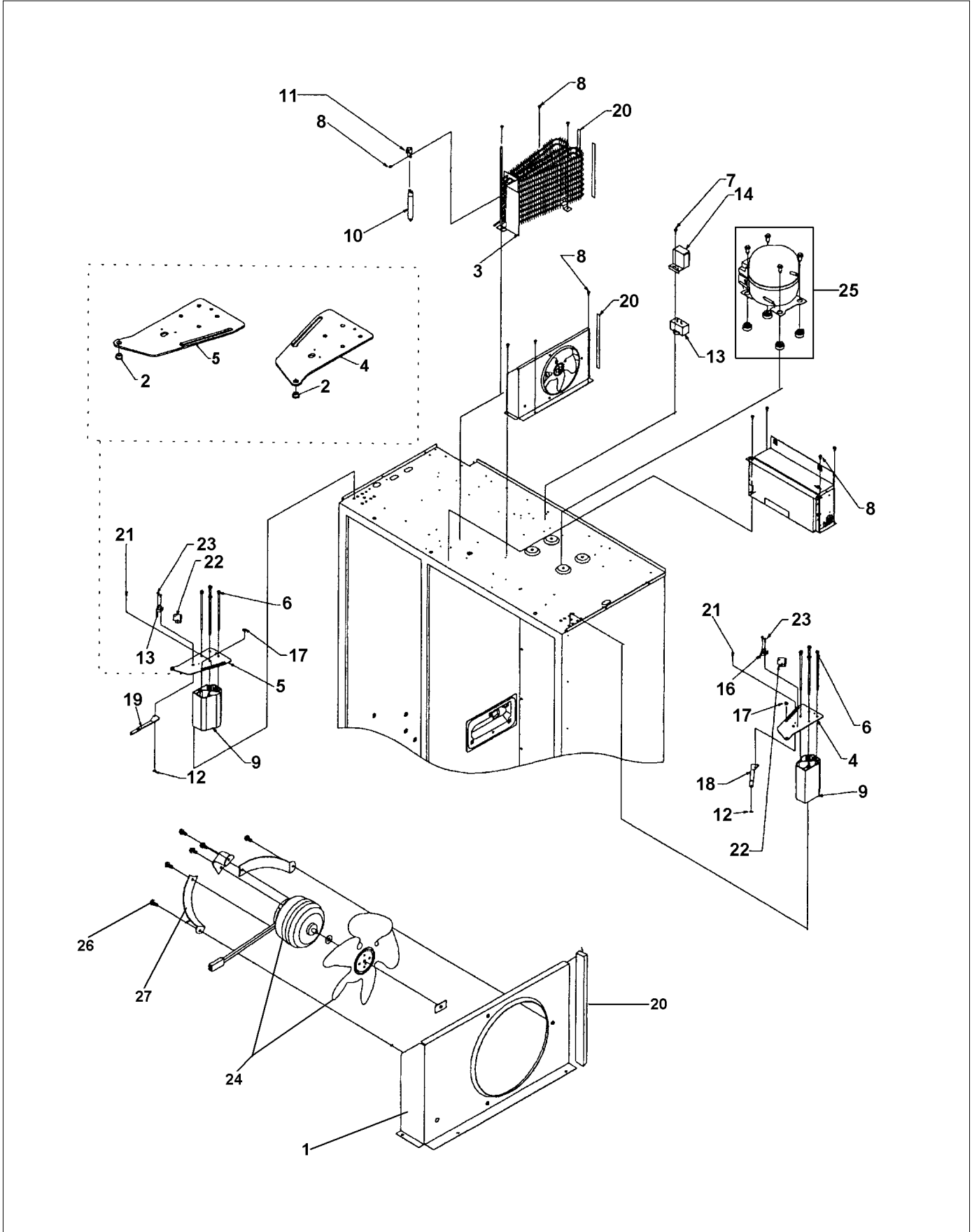


Item	Part No.	Name	Qty	Uom	NOTES
1	M0211018	SCREW-SM	1	EA	
2	12211201	CLOSEOUT-FZ SIDE #	1	EA	NO LONGER AVAILABLE, Not available online / Call for pricing and availability
3	M0213105	SCREW-SM	1	EA	
4	M0213531	SCREW-SM	1	EA	NO LONGER AVAILABLE, Not available online / Call for pricing and availability
5	M0213503	SCREW, SM	1	EA	
6	M0238616	SCREW, SMALL	1	EA	
7	12304301	CLOSEOUT-FZ SIDE #	1	EA	
8	12210901	FZ BASKET ASSY #	1	EA	NO LONGER AVAILABLE
9	V12336301	GLIDE, RIGHT FREEZER	1	EA	Not available online / Call for pricing and availability
10	V12336201	GLIDE, LEFT FREEZER	1	EA	
11	12064701	PAD-GLIDE V12064701	1	EA	
12	PK930076	ICE PAN ASM SXS 48	1	EA	
13	V12202601	SUPPORT-L DRAWER # - NLA	1	Wholesale Price	NO LONGER AVAILABLE
14	V12073003	SUPPORT-R DRAWER #	1	Wholesale Price	
15	V12223208	DELI LID ASSY 48"/48D	1	Wholesale Price	
Not Shown	NOTE	(MUST ORDER ITEM 44)		EA	
16	12223304	DELI TOP ASSEMBLY	1	EA	
Not Shown	NOTE	(MUST ORDER ITEM 44)		EA	
17	V12073304	DRAWER-DELI 48"/48"Disp	1	Wholesale Price	
18	V12073401	KNOB-DELI CONT	1	Wholesale Price	
19	12073501	TUBE-PLASTIC	1	EA	
20	12073506	TUBE-PLASTIC	1	EA	
21	V12073601	SLIDE-DELI CONT	1	EA	NO LONGER AVAILABLE

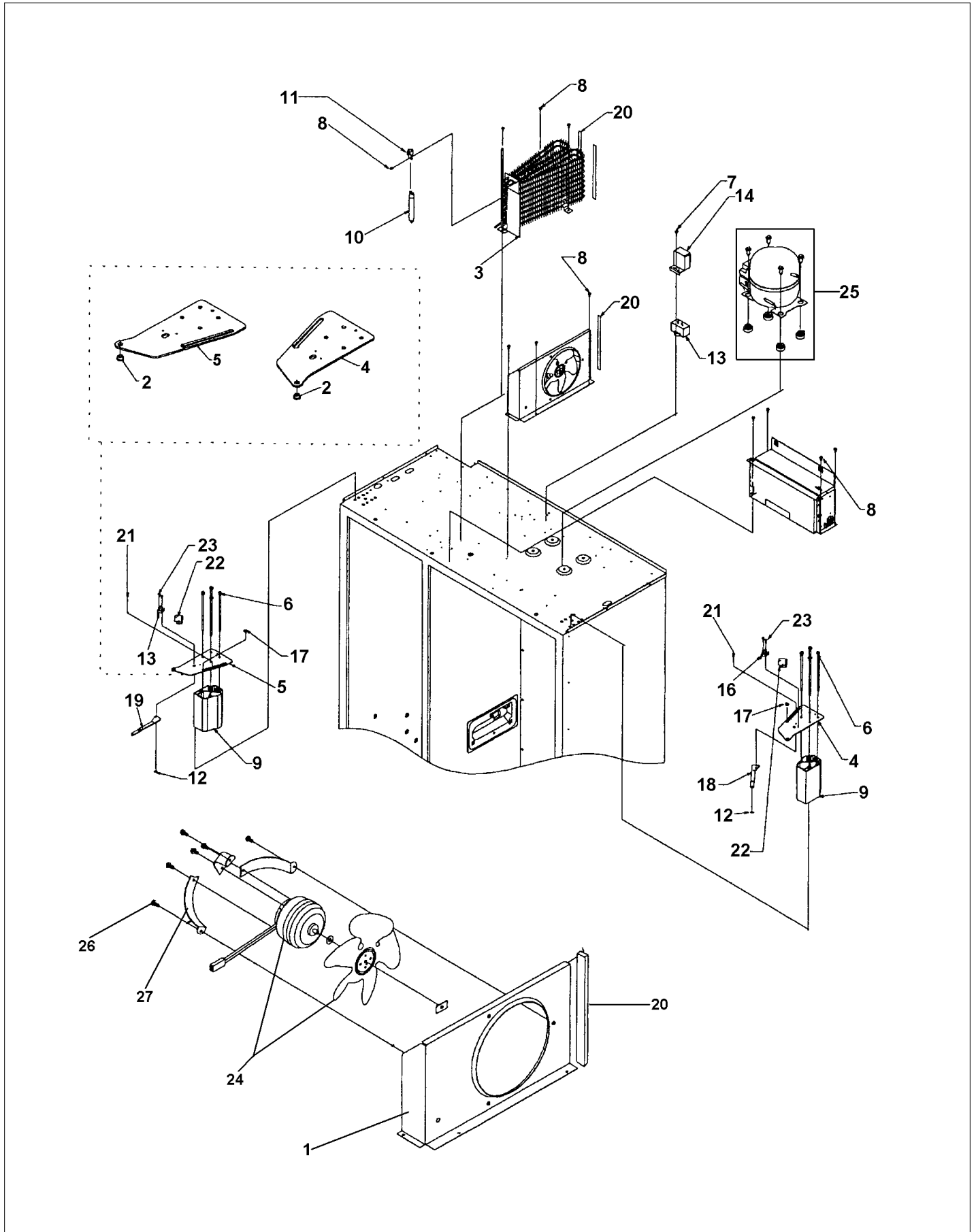


Item	Part No.	Name	Qty	Uom	NOTES
22	V12231201	COVER-AIR CONTROL	1	Wholesale Price	
23	V12070501	GLIDE-DELI KNOB #	1	EA	NO LONGER AVAILABLE
24	12073901	GLIDE-L SUPPORT V12073901	1	EA	
25	12073902	GLIDE-L DRAWER V12073902	1	EA	
26	12073903	GLIDE-R SUPPORT V12073903	1	EA	
27	12073904	GLIDE-R DRAWER V12073904	1	EA	
28	12196201	GSKT-CONTROL COVER	1	EA	NO LONGER AVAILABLE
29	V12211001	SHELF, COVER - NLA	1	EA	
30	12258501	SUPPORT-SHELF	1	EA	
31	M0581001	GROMMET-SCREW VM0581001	1	EA	
32	M0211021	SCREW-SM	1	EA	
33	M0237918	SCREW-HI LO	1	EA	NO LONGER AVAILABLE, Not available online / Call for pricing and availability
34	12144302	CRISPER PAN ASSY 48"/48 DISP	1	EA	
35	M0220417	SCREW-TC	1	EA	
36	V12183901	DAIRY DRAWER ASSY 48"/48D	1	Wholesale Price	
37	043624-000	SHELF ASM GLASS 30 AR 48 FF	1	EA	
38	12201901	SHELF-WIRE FZ	1	EA	
39	12064501	GLIDE-LEFT CRISPER	1	EA	
40	12064502	GLIDE-RIGHT CRISPER	1	EA	
41	V12064601	GLIDE-CTR CRISPER #	1	Wholesale Price	
42	12144003	SHELF, CRISPER	1	EA	Not available online / Call for pricing and availability
43	12064701	PAD-GLIDE V12064701	1	EA	
44	000485-000	DELI TOP ASSEMBLY - 48 SXS	1	EA	

TOP HINGES



Item	Part No.	Name	Qty	Uom	NOTES
1	ORDER ENTIRE HINGE	PLATE, TOP HINGE	1	EA	
2	ORDER ENTIRE HINGE	BUSHING, HINGE	1	EA	
3	PB920171	CONDENSER ASM	1	EA	
4	PC920064	RIGHT TOP HINGE ASSEMBLY	1	EA	NO LONGER AVAILABLE
5	PC920035	L TOP HINGE ASSY RE V12067805	1	EA	
6	M0206313	SCREW-MACH	1	EA	
7	M0238921	SCREW-SM	1	EA	NO LONGER AVAILABLE
8	M0238616	SCREW, SMALL	1	EA	
9	12067901	EXTRSN-TOP HINGE V12067901	1	EA	
10	PM010616	DRIER - HIGH SIDE	1	EA	
11	10547001	CLIP-DRIER V10547001	1	EA	
12	40370P01	NYLON FLAT WASHER V40370P01	1	EA	
13	C8931608	CAPACITOR	1	EA	
14	10266402	SHIELD-CAPACITOR GRN	1	EA	NO LONGER AVAILABLE, Not available online / Call for pricing and availability
15	003471-000	SWITCH SNAP-ACTION BM 36	1	EA	
16	G50911866	LIGHT CUT OFF SERVICE KIT	1	EA	
17	12348701	BUMPER-DOOR STOP V12348701	1	EA	
18	PC920068	ARM DOOR STOP LH	1	EA	
19	PC920066	ARM, DOOR STOP, RH	1	EA	
20	A3189370	GASKET-FOAM VA3189370	1	EA	
21	M0220942	SCREW-SHLDR	1	EA	
22	12140701	COVER-SWITCH V12140701	1	EA	
23	M0234005	SCREW-TF	1	EA	
24	G5096494	COND. FAN ASSY	1	EA	
25	038630-000	COMPRESSOR REPLACEMENT KIT	1	EA	
26	M0223816	SCREW-TR	1	EA	NO LONGER AVAILABLE
27	10582501	BRKT-COND MTR V10582501	1	EA	

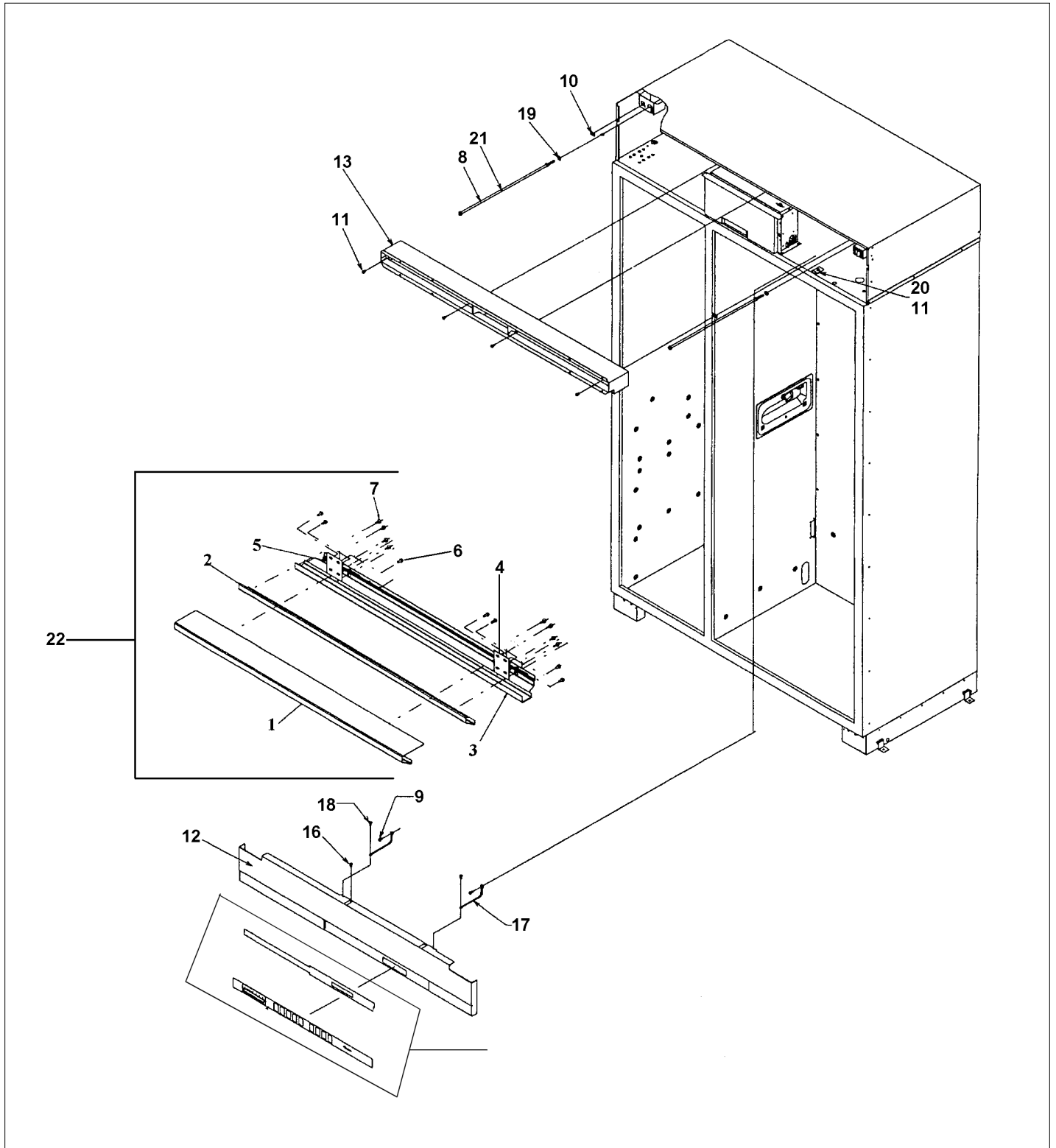




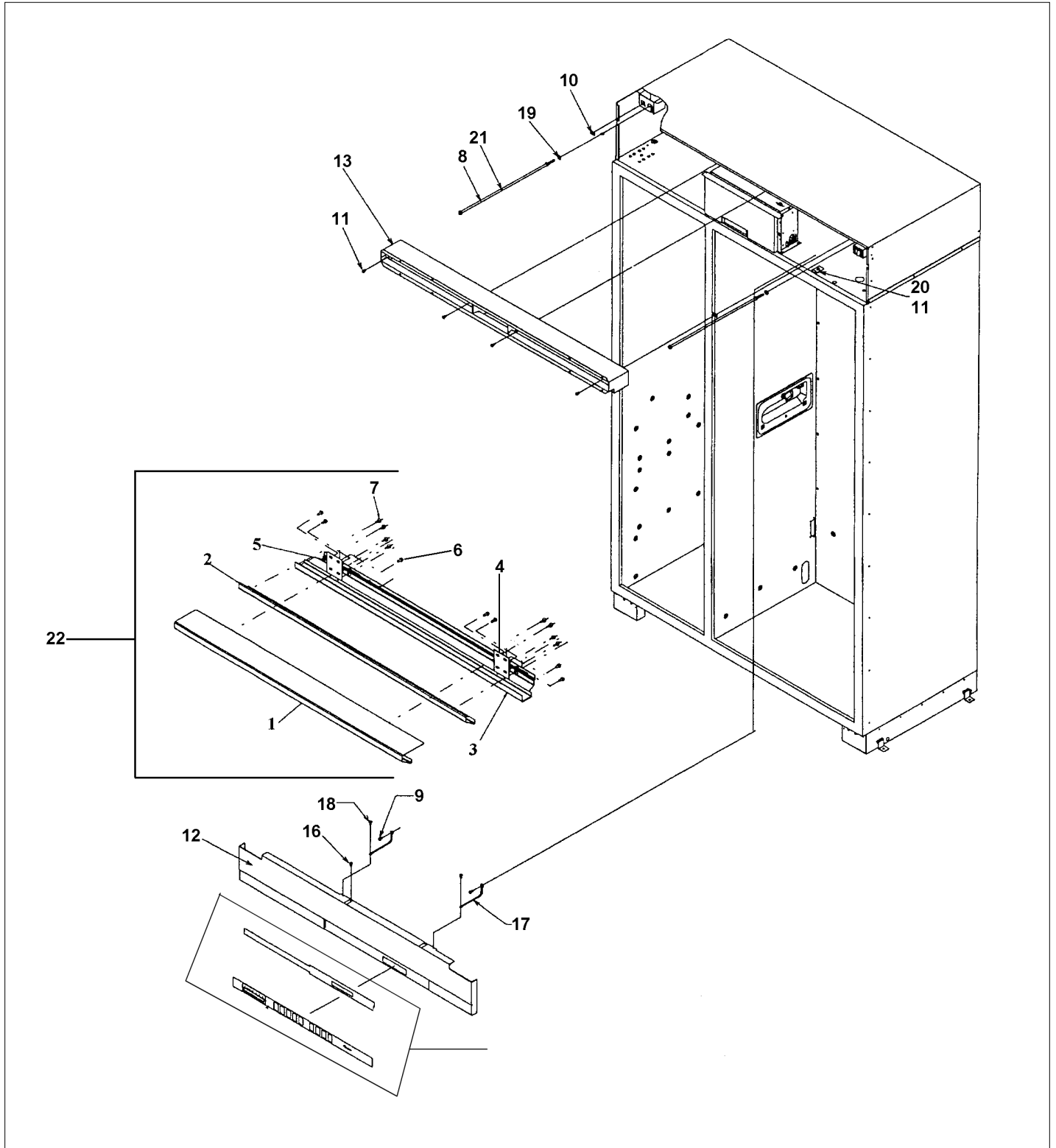


Item	Part No.	Name	Qty	Uom	NOTES
28	K2196428	SHROUD, CONDENSER FAN	1	EA	Not available online / Call for pricing and availability
NI	M0104106	CLIP-CORD VM0104106	1	EA	
NI	M0232903	SCREW-SE	1	EA	NO LONGER AVAILABLE
NI	M0211018	SCREW-SM	1	EA	
NI	M0234030	SCREW-TR	1	EA	NO LONGER AVAILABLE

UPPER GRILLE AND KEYBOARD



Item	Part No.	Name	Qty	Uom	NOTES
1	B2096952	LOUVER-TOP 48 PRO		EA	NO LONGER AVAILABLE, Not available online / Call for pricing and availability
2	B2096953	LOUVER-MID 48 PRO		EA	
3	B2096954	LOUVER-BOT 48 PRO		EA	NO LONGER AVAILABLE, Not available online / Call for pricing and availability
4	B2096961	BRACKET-LOUVER		EA	
5	B2096962	BRACKET-LOUVER SUP		EA	
6	M0220417	SCREW-TC		EA	
7	A4539601	DAMPER-TUBING .8		EA	Not available online / Call for pricing and availability
8	M0223603	SCREW-LAG		EA	
9	M0238846	SCREW-SHLDR		EA	
10	M0288120	NUT-SPEED VM0288120		EA	
11	M0238616	SCREW, SMALL		EA	
12	12210301	COVER, CONTROL PANEL		EA	Not available online / Call for pricing and availability
13	G9096487BK	AIR DUCT WELD ASSY		EA	
14	PE950172	OVERLAY SWITCH SXS 48 NON - DISP		EA	
16	M0224128	SCREW-SM		EA	
17	12064001	SUPP-CONT PANEL		EA	
18	A4539601	DAMPER-TUBING .8		EA	Not available online / Call for pricing and availability
19	M0270510	WASHER #		EA	
20	12414701	BRKT-CONT COVER		EA	NO LONGER AVAILABLE
21	12349301	BEARING-SLEEVE V12349301		EA	
22	G3296946	GRILLE ASSY - 48 PRO RE G3296498		EA	
NI	B2096965	ENDCAP PRO LH HINGE		EA	





Item	Part No.	Name	Qty	Uom	NOTES
NI	B2096966	ENDCAP PRO RH HINGE		EA	



Appendix A:Pages Index

CONTROL ASSY ..... 1  
DOOR ASSY ..... 2  
DOOR SKIN MATRIX ..... 3  
DOOR SKINS ..... 4  
EVAP AREA ASSY ..... 5  
FLOW CHART NO COMPRESSOR ..... 6  
LADDERS ..... 7  
LOWER HINGES ..... 8  
ROLLERS ..... 9  
SHELVING - CRISPER ..... 10  
TOP HINGES ..... 11  
UPPER GRILLE AND KEYBOARD ..... 12



Appendix B:Parts Index

000268-000	4	12034201	9
000485-000	10	12064001	12
001943-000	2	12064501	10
001954-000	2	12064502	10
002670-000	1	12064701	10, 10
003471-000	11	12067901	11
004528-000	7	12071201	9
004551-000	7, 9	12071301	9
005319-000	1	12073501	10
013112-000	7	12073506	10
015811-000	9	12073901	10
019244-000	8	12073902	10
031006-000	5	12073903	10
036886-000	2	12073904	10
038630-000	11	12074501	7
043624-000	10	12074601	7
058966-000	5	12074701	7
10093305	8	12074702	7
10097202	9	12074703	1
10244906S	9	12074704	7
10266402	11	12096901	7
10270101	7	12102501	7
10270203	7	12115101	9
10281601	7	12116203	2
10377015	9	12116303	2
10428101	5	12117201	1
10428411	5	12118901	7
10526701	8	12119504	2
10527401	5	12128001	2, 2
10544502	1	12135402	7
10547001	11	12140701	11
10582501	11	12144003	10
10623003	5	12144302	10
10757301	9	12150601	9
10771701	5	12184401	7
10771801	5	12184501	7
10916507	9	12184901	7
10921223	4	12188001	2
10921224	4	12192901	2
10942703	7	12196201	10
		12198301	5



12201901	10	C3680309	5
12210301	12	C8931608	11
12210901	10	C8983701	5, 7
12211201	10	C9096463WH	8
12223304	10	F2096550	9
12230901	7	G3096496	7
12231701	5	G3296946	12
12233801	5	G50911809	2
12234001	5	G50911810	2
12257901	7	G50911821	9
12258501	10	G50911858	8
12304301	10	G50911866	11
12337901	8	G5096419	9
12348701	11	G5096494	11
12349301	12	G5096513	8
12414701	12	G5096596	9
12527801	9	G5098660	5
40370P01	11	G5099989	2
5149-P	9	G9096487BK	12
A1017202	5	J5096506	2
A1055101	9	K2096427	9
A3030302	5	K2096429	1
A3030303	5	K2096430	1
A3030361	5	K2096431	1
A3127415	8	K2096432	1
A3189368	5	K2096439	9
A3189370	5, 9, 11	K2096442	9
A3189371	9	K2096444	9
A4539601	1, 7, 12, 12	K2096449	8
A4554817	1	K2096450	8
B2096406	7	K2096455	9
B2096952	12	K2096456	5
B2096953	12	K2096457	5
B2096954	12	K2096458	5
B2096961	12	K2096459	9
B2096962	12	K2096460	9
B2096965	12	K2096461	5
B2096966	12	K2096464	8
B5733302	7	K2096473	9
C2096406	7	K2096475	7
C2096451WH	5	K2196420	9





K2196428	11	M0273801	9
L2096422	7	M0286708	9
L2096443	7	M0288120	1, 7, 12
L2096452	5	M0295308	9
L2096474	9	M0321202	7, 8
M0104106	1, 9, 9, 11	M0580007	7
M0108201	7	M0581001	7, 7, 10
M0202528	2, 2, 8	M0585504	1
M0204303	4	M0585506	1
M0204339	8	M0753001	9
M0206313	11	M1200004	9
M0211018	10, 11	M1200203	9
M0211021	10	M1252901	9
M0213105	10	M6096628	2, 2
M0213503	10	PB920171	11
M0213531	10	PB920209	9
M0218136	7	PB970189	9
M0218137	7	PC020231	2, 2, 8
M0220417	7, 9, 10, 12	PC040010	9, 9
M0220928	8	PC920035	11
M0220942	11	PC920060	8
M0221913	7	PC920061	8
M0223603	12	PC920064	11
M0223816	1, 11	PC920066	11
M0224128	12	PC920068	11
M0224416	5, 9	PD020013	1
M0226233	2, 2	PD030006	4
M0232903	5, 5, 7, 11	PE010030	4
M0232929	5	PE010031	4
M0234005	11	PE010068	4
M0234030	11	PE010076	4
M0237918	10	PE030001PVD	4
M0238535	7	PE030032	4
M0238616	1, 5, 7, 8, 9, 9, 10, 11, 12	PE930101	4
M0238734	8	PE950149	7
M0238846	7, 12	PE950172	12
M0238859	5	PE970464	1
M0238921	11	PE970609	1
M0267153	9	PK930076	10
M0270510	8, 12	PK930150	5
M0272803	2, 8	PK930253	7



PM010616 ..... 11  
PM910206 ..... 5  
V12064601 ..... 10  
V12070501 ..... 10  
V12073003 ..... 10  
V12073304 ..... 10  
V12073401 ..... 10  
V12073601 ..... 10  
V12183901 ..... 10  
V12202601 ..... 10  
V12203602 ..... 2  
V12203701 ..... 7  
V12211001 ..... 10  
V12223208 ..... 10  
V12231201 ..... 10  
V12336201 ..... 10  
V12336301 ..... 10  
VM0280801 ..... 9