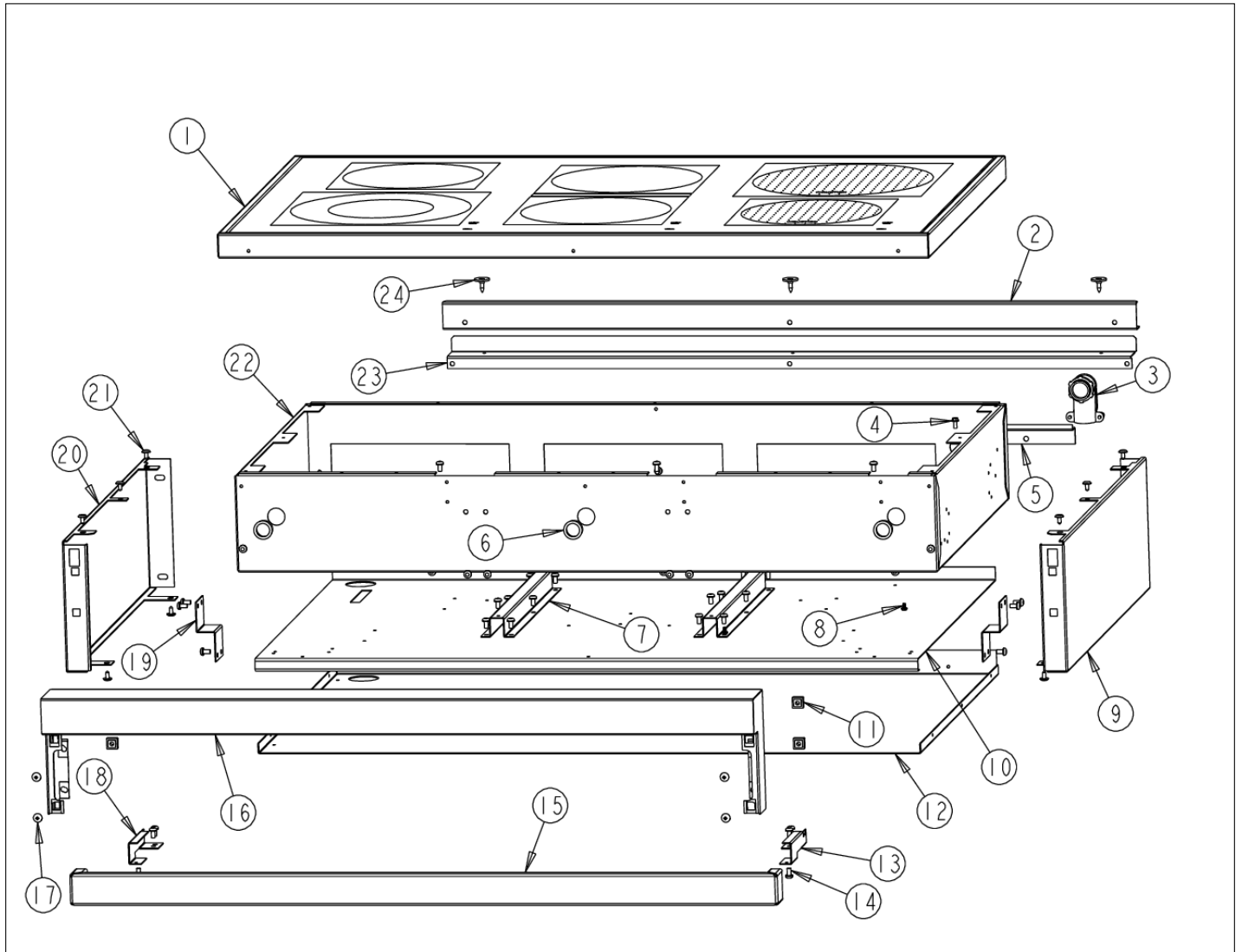


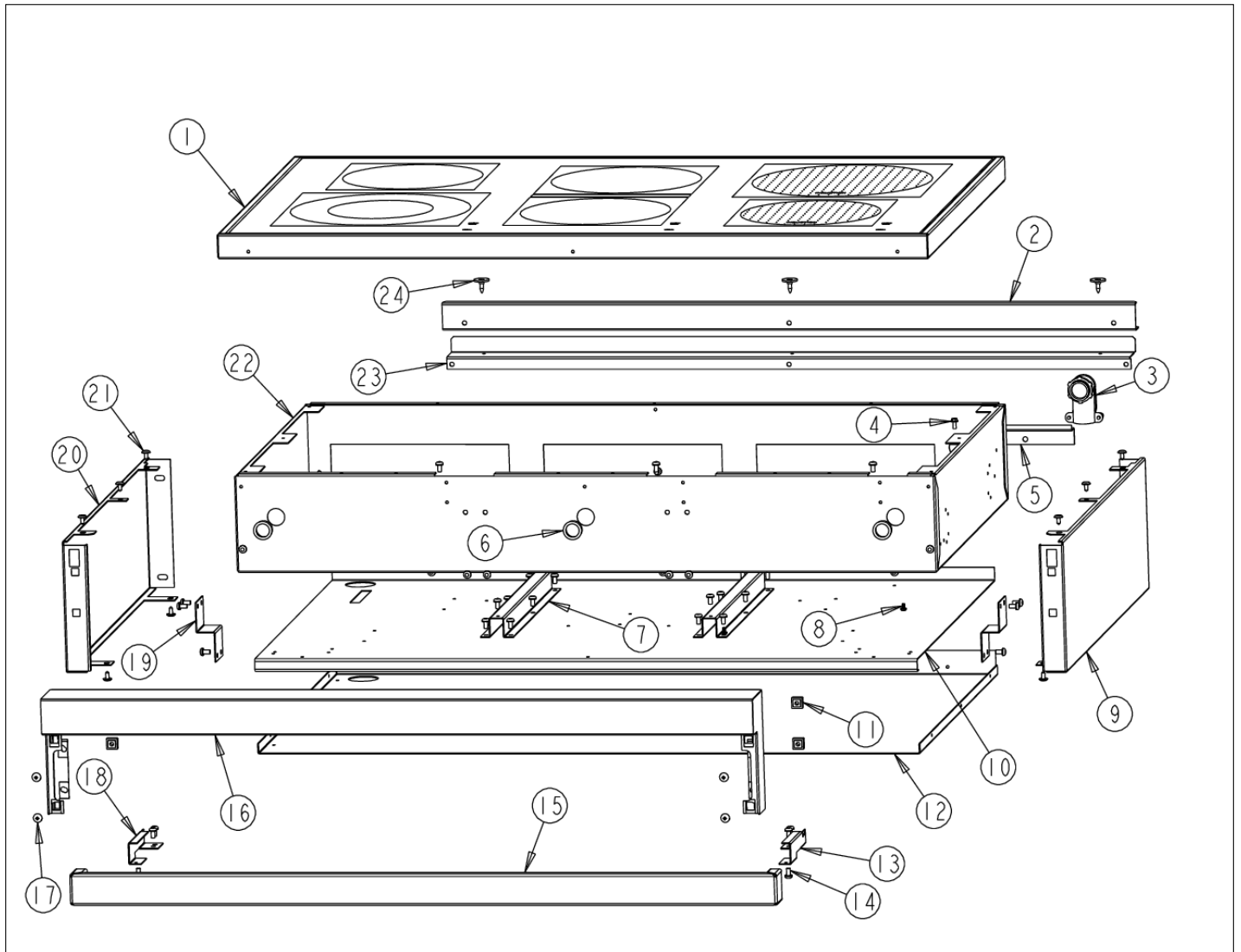
VCRT361

BURNER BOX AREA	1
CONTROL AREA	2
INDUCTION AREA	3
RADIANT AREA	4
Appendix A:Pages Index	A
Appendix B:Parts Index	B

BURNER BOX AREA



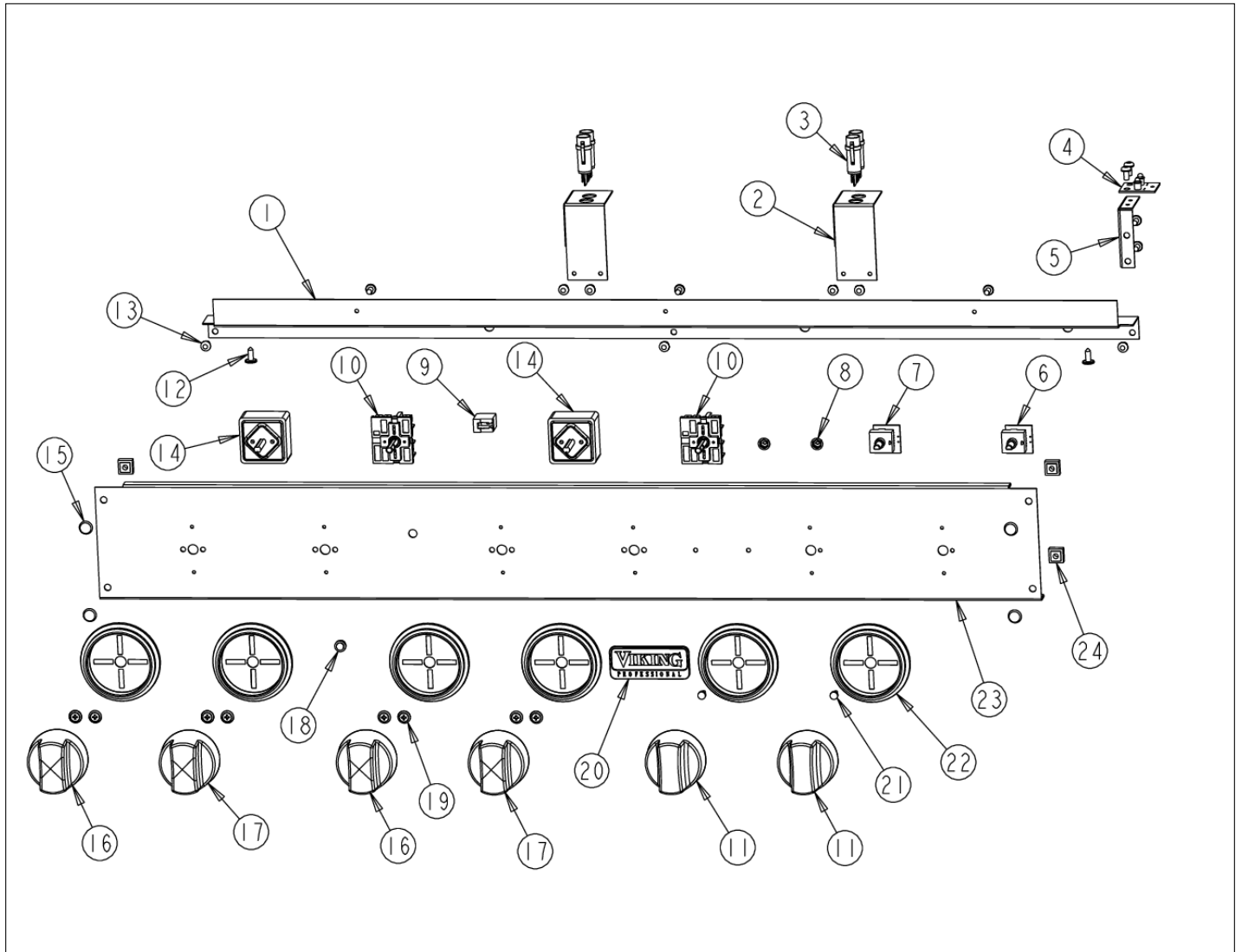
Item	Part No.	Name	Qty	Uom	NOTES
1	G50014568	36" CERAMIC TOP ASSY (INDUCTION/RADIANT) BK	1	EA	NO LONGER AVAILABLE, Not available online / Call for pricing and availability
Not Shown	G50014569	36" CERAMIC TOP ASSY (INDUCTION/RADIANT) WH	1	EA	NO LONGER AVAILABLE, Not available online / Call for pricing and availability
2	B20014557	REAR FRAME TRIM - 36"	1	EA	NO LONGER AVAILABLE, Not available online / Call for pricing and availability
3	PB040259	90 DEG. 3/4" CONDUIT FITTING	1	EA	NO LONGER AVAILABLE, Not available online / Call for pricing and availability
4	PD020010	10 X 3/8 GREEN GROUNDING SCREW	1	EA	
5	A20014551	REAR DIVERTER - 36"	1	EA	NO LONGER AVAILABLE, Not available online / Call for pricing and availability
6	PD040005	SNAP BUSHING - 7/8"	1	EA	
7	A20014552	BURNER BOX SUPPORT	1	EA	NO LONGER AVAILABLE, Not available online / Call for pricing and availability
8	PD020260	6-32 X 1/4 PAN PHIL INTERNAL SEMS ZN	1	EA	NO LONGER AVAILABLE, Not available online / Call for pricing and availability
9	B20014522	SIDE PANEL - RH	1	EA	
10	A20014534	36" BOTTOM INS PANEL	1	EA	NO LONGER AVAILABLE, Not available online / Call for pricing and availability
11	PD030005	SELF RETAINING NUT	1	EA	
12	A20014533	36" BURNER BOX BOTTOM	1	EA	NO LONGER AVAILABLE, Not available online / Call for pricing and availability
13	A20011467	FALSE DRIP TRAY HANDLE BRKT. RH	1	EA	NO LONGER AVAILABLE





Item	Part No.	Name	Qty	Uom	NOTES
14	PD020004	10X3/8PH.HD.TYPE 25 REPL PD040125	1	EA	
15	G30010696	DRIP TRAY HANDLE ASSY 36"	1	EA	
Not Shown	G93011459PVD	False Tray Handle - 6B (BR) - NLA	1	EA	
16	G3001585	36" LANDING LEDGE	1	EA	
17	PD010003	10-24 X 1/2 PH.TR.HD.SERD.M.S.	1	EA	
18	A20011466	FALSE DRIP TRAY HANDLE BRKT. LH	1	EA	NO LONGER AVAILABLE
19	A20014564	36" FRONT BURNER BOX SUPPORT BRKT.	1	EA	NO LONGER AVAILABLE, Not available online / Call for pricing and availability
20	B20014523	SIDE PANEL - LH	1	EA	
21	PD020032	SRW-8(A)X3/8"PH.WFR HD 7/16DIA*NICL	1	EA	
22	A20014553	COMPONENT SHELF - 36"	1	EA	NO LONGER AVAILABLE, Not available online / Call for pricing and availability
23	A20014555	36" REAR SUPPORT	1	EA	NO LONGER AVAILABLE, Not available online / Call for pricing and availability
24	014143-000	SCR 10-12 A SHLD TRP 1/2 S ZN BLUE	1	EA	

CONTROL AREA



Item	Part No.	Name	Qty	Uom	NOTES
1	A20014554	36" FRONT SUPPORT	1	EA	NO LONGER AVAILABLE, Not available online / Call for pricing and availability
2	A20014566	LIGHT HOUSING	1	EA	NO LONGER AVAILABLE, Not available online / Call for pricing and availability
3	PE050113	DECU INDICATOR LIGHT (SP-2185-BDPS)	1	EA	
4	PE070519	INDUCTION LED ASSEMBLY	1	EA	
5	A20014514	LED BRACKET	1	EA	
6	PE070364	POT ASSY - GRAY 28.5" (12-4200)	1	EA	
7	PE070683	POT ASSY- WHITE 33" (12-4500)	1	EA	
8	PD030006	CAPPED WASHER PAL NUT	1	EA	
9	PE050024	OVEN IND. LIGHT (LIGHT HOUSING)	1	EA	

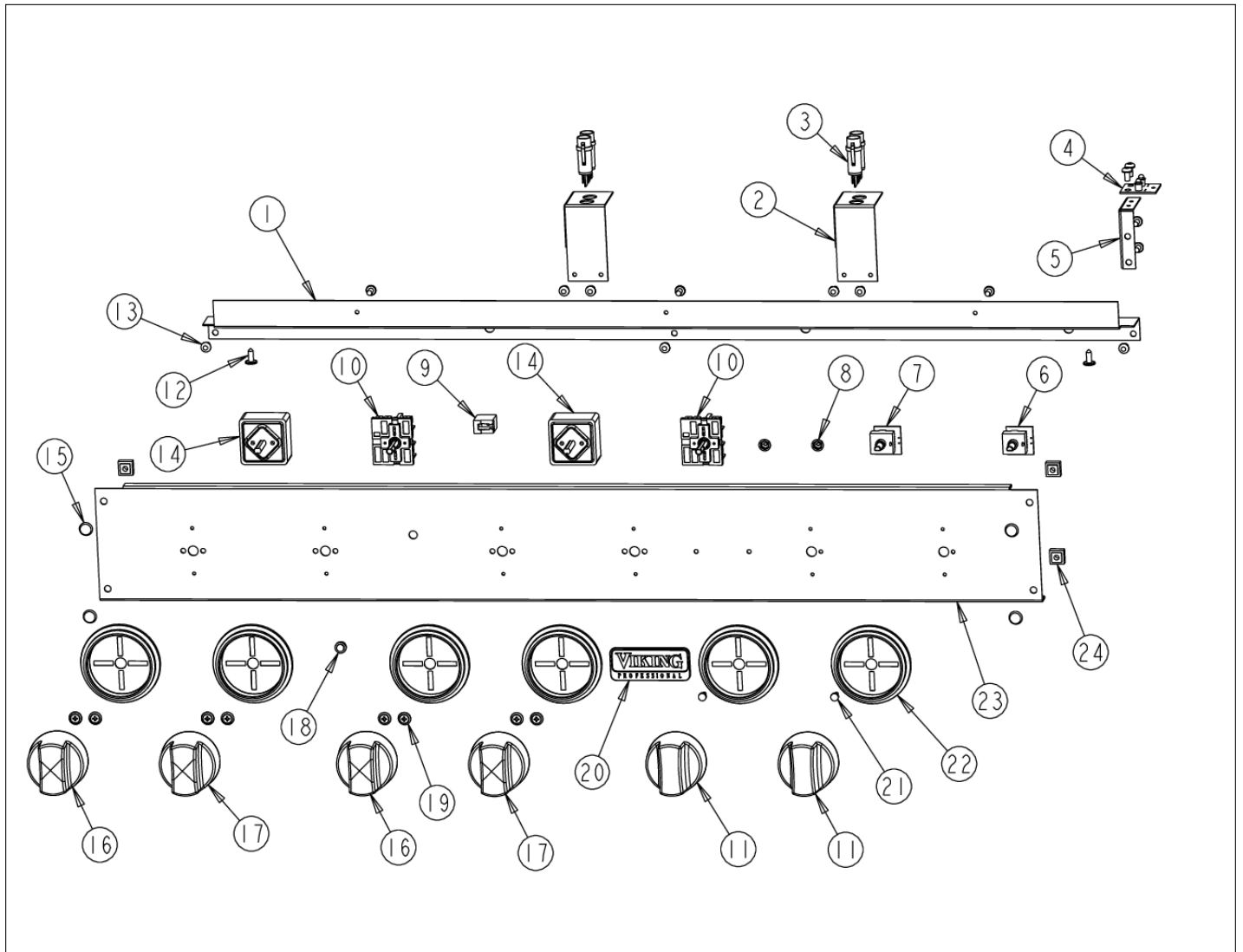
Comments for Part Num. PE050024

haarnink@vikingrange.com on Jan 14, 2019

please note that the indicator light is now part 043135-000 but needs the Jumper harness 051443-000. and second option there are units in the field with a 230V indicator light part number 036566-000.

please check this for all "E" module ranges/Tops

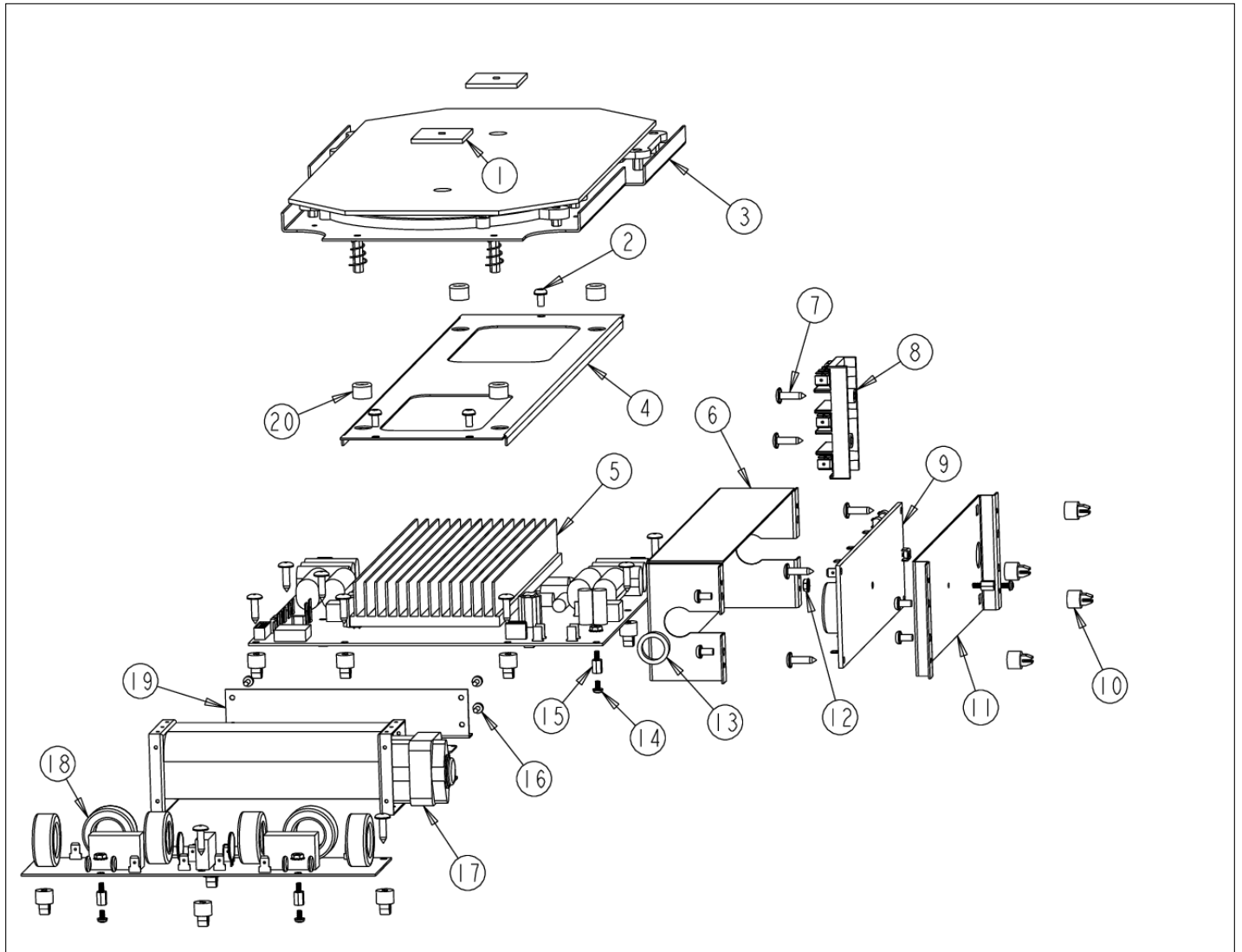
10	G50013538	PJ030027 INFINITE SWITCH SERVICE KIT	1	EA	
11	PA010218	INDUCTION RANGE/RANGETOP KNOB (BK)	1	EA	NO LONGER AVAILABLE
Not Shown	PA010220	INDUCTION RANGE/RANGETOP KNOB (WH)	1	EA	NO LONGER AVAILABLE
12	PD020046	#8 X 1/2 SCREWS	1	EA	
13	PD020004	10X3/8PH.HD.TYPE 25 REPL PD040125	1	EA	
14	PJ030007	INFINITE SWITCH	1	EA	
15	PD020033	SRW #10-24 X 1/2" T (23) PH WFR HD (NKL)	1	EA	
16	PB010145	KNOB - SINGLE INFINITE SWITCH BLACK	1	EA	





Item	Part No.	Name	Qty	Uom	NOTES
Not Shown	PB010146	KNOB-SINGLE INFINITE SWITCH *WH*	1	EA	
17	PB010143	KNOB-DUAL INFINITE SWITCH *BK*	1	EA	
Not Shown	PB010144	KNOB - DUAL INFINITE SWITCH WH	1	EA	
18	PE050023	OVEN IND. LIGHT (LENS & BEZEL)	1	EA	
19	PD020073	SRW #10 X 24 X 3/8 WAFER HD TYPE23	1	EA	
20	PE010142	3" VIKING LOGO BLACK/CHROME	1	EA	
Not Shown	PE010144	3" LOGO *WH*CHROME	1	EA	NO LONGER AVAILABLE
Not Shown	PE010143	3" LOGO BK/BR	1	EA	
Not Shown	PE010145	LOGO - WH / BR	1	EA	
21	PD020067	' #6 X 3/8" PAN PHIL. TEK *SS*	1	EA	
22	050172-000	BEZEL, KNOB	1	EA	
Not Shown	PB010209	Bezel - BR	1	EA	
23	B92014565	VCRT CONTROL PANEL - 36"	1	EA	NO LONGER AVAILABLE, Not available online / Call for pricing and availability
24	PD030005	SELF RETAINING NUT	1	EA	

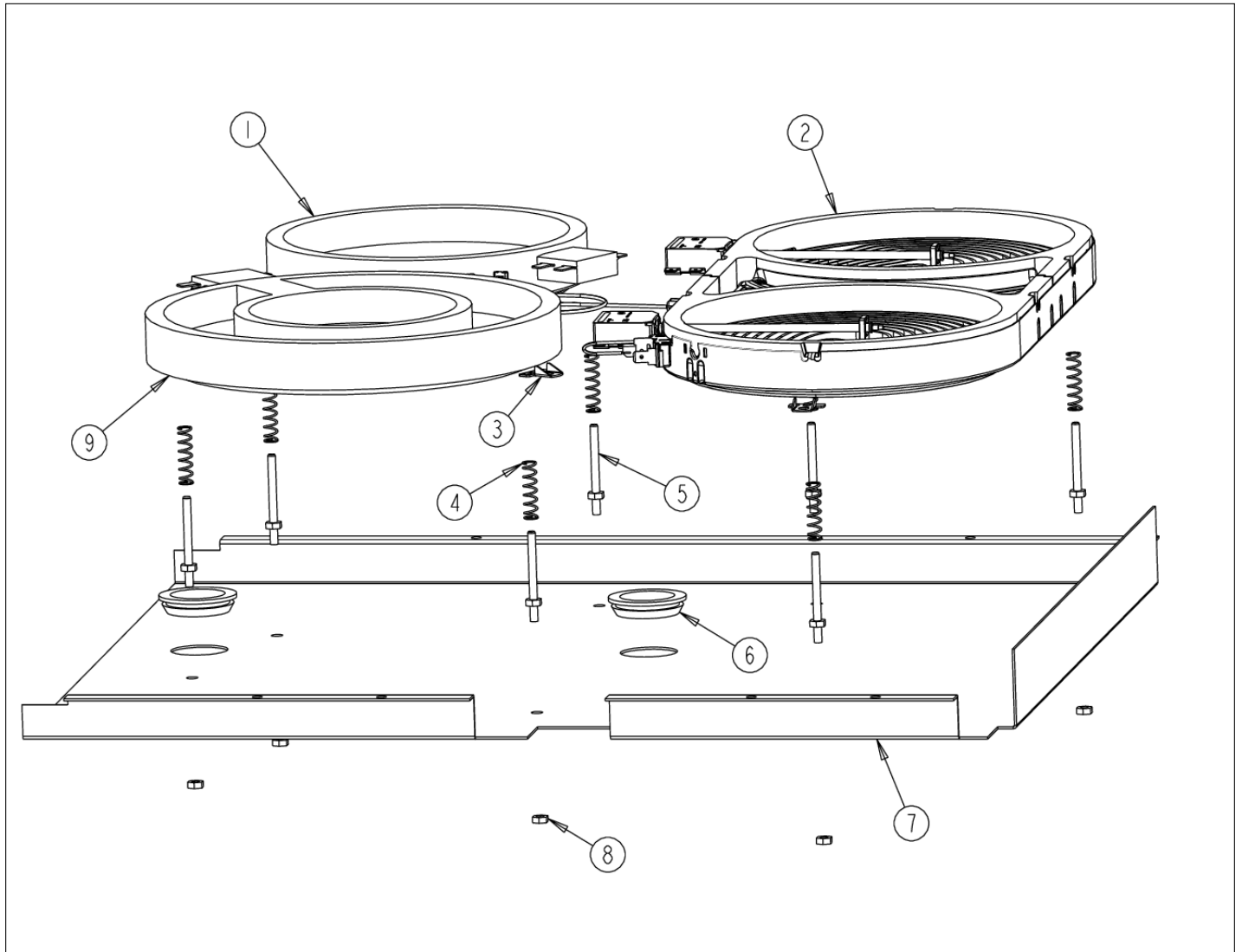
INDUCTION AREA





Item	Part No.	Name	Qty	Uom	NOTES
1	PE070761	INDUCTION THERMAL LIMITER	1	EA	
2	PD020004	10X3/8PH.HD.TYPE 25 REPL PD040125	1	EA	
3	PE070688	ALL INDUCTION COIL TRAY ASSEMBLY	1	EA	
4	A20014510	COIL BRACE	1	EA	
5	PE070596	ALL INDUCTION POWER BOARD	1	EA	
6	A20014542	POWER BOARD COVER	1	EA	NO LONGER AVAILABLE, Not available online / Call for pricing and availability
7	PD020014	10X3/4 PH TR HD SMS	1	EA	
8	PE070147	TERMINAL BLOCK (VDSC)	1	EA	
9	PE070627	VICU EMI FILTER	1	EA	
10	PD030033	GROMMET NUT-ROUND HD. #8 X .500DIA.	1	EA	
11	A20014541	POWER BOARD BRACKET	1	EA	NO LONGER AVAILABLE, Not available online / Call for pricing and availability
12	PD030177	6-32 KEPS NUT ZN	1	EA	NO LONGER AVAILABLE, Not available online / Call for pricing and availability
13	PD040005	SNAP BUSHING - 7/8"	1	EA	
14	PD020260	6-32 X 1/4 PAN PHIL INTERNAL SEMS ZN	1	EA	NO LONGER AVAILABLE, Not available online / Call for pricing and availability
15	PD040165	1/4" HEX X 6-32 THREAD MALE TO FEMALE	1	EA	NO LONGER AVAILABLE, Not available online / Call for pricing and availability
16	PD020067	' #6 X 3/8" PAN PHIL. TEK *SS*	1	EA	
17	PE070635	VICU COOLING FAN	1	EA	
18	PE070597	ALL INDUCTION EMI BOARD	1	EA	
19	A20014512	FAN BRACKET	1	EA	
20	PD040021	1/2" BUSHING (VGRC)	1	EA	

RADIANT AREA





Item	Part No.	Name	Qty	Uom	NOTES
1	PJ020003	ELEMENT	1	EA	
2	PJ020004	ELEMENT-(2)1800 X 800	1	EA	
3	PM010494	CERAMASPEED BRACKET	1	EA	
4	PC010006	GUIDE SPRING DESU	1	EA	
5	PD010148	ELEMENT STUD	1	EA	
6	PB070320	SILICONE EXTRUSION	1	EA	
7	A20014567	ELEMENT SHELF - 36"	1	EA	NO LONGER AVAILABLE, Not available online / Call for pricing and availability
8	PD040056	ELEMENT STUD NUT	1	EA	NO LONGER AVAILABLE
9	PJ020002	ELEMENT 2200 (750)	1	EA	



Appendix A:Pages Index

BURNER BOX AREA	1
CONTROL AREA	2
INDUCTION AREA	3
RADIANT AREA	4



Appendix B:Parts Index

014143-000	1	PD010148	4
050172-000	2	PD020004	1, 2, 3
A20011466	1	PD020010	1
A20011467	1	PD020014	3
A20014510	3	PD020032	1
A20014512	3	PD020033	2
A20014514	2	PD020046	2
A20014533	1	PD020067	2, 3
A20014534	1	PD020073	2
A20014541	3	PD020260	1, 3
A20014542	3	PD030005	1, 2
A20014551	1	PD030006	2
A20014552	1	PD030033	3
A20014553	1	PD030177	3
A20014554	2	PD040005	1, 3
A20014555	1	PD040021	3
A20014564	1	PD040056	4
A20014566	2	PD040165	3
A20014567	4	PE010142	2
B20014522	1	PE010143	2
B20014523	1	PE010144	2
B20014557	1	PE010145	2
B92014565	2	PE050023	2
G30010696	1	PE050024	2
G3001585	1	PE050113	2
G50013538	2	PE070147	3
G50014568	1	PE070364	2
G50014569	1	PE070519	2
G93011459PVD	1	PE070596	3
PA010218	2	PE070597	3
PA010220	2	PE070627	3
PB010143	2	PE070635	3
PB010144	2	PE070683	2
PB010145	2	PE070688	3
PB010146	2	PE070761	3
PB010209	2	PJ020002	4
PB040259	1	PJ020003	4
PB070320	4	PJ020004	4
PC010006	4	PJ030007	2
PD010003	1	PM010494	4