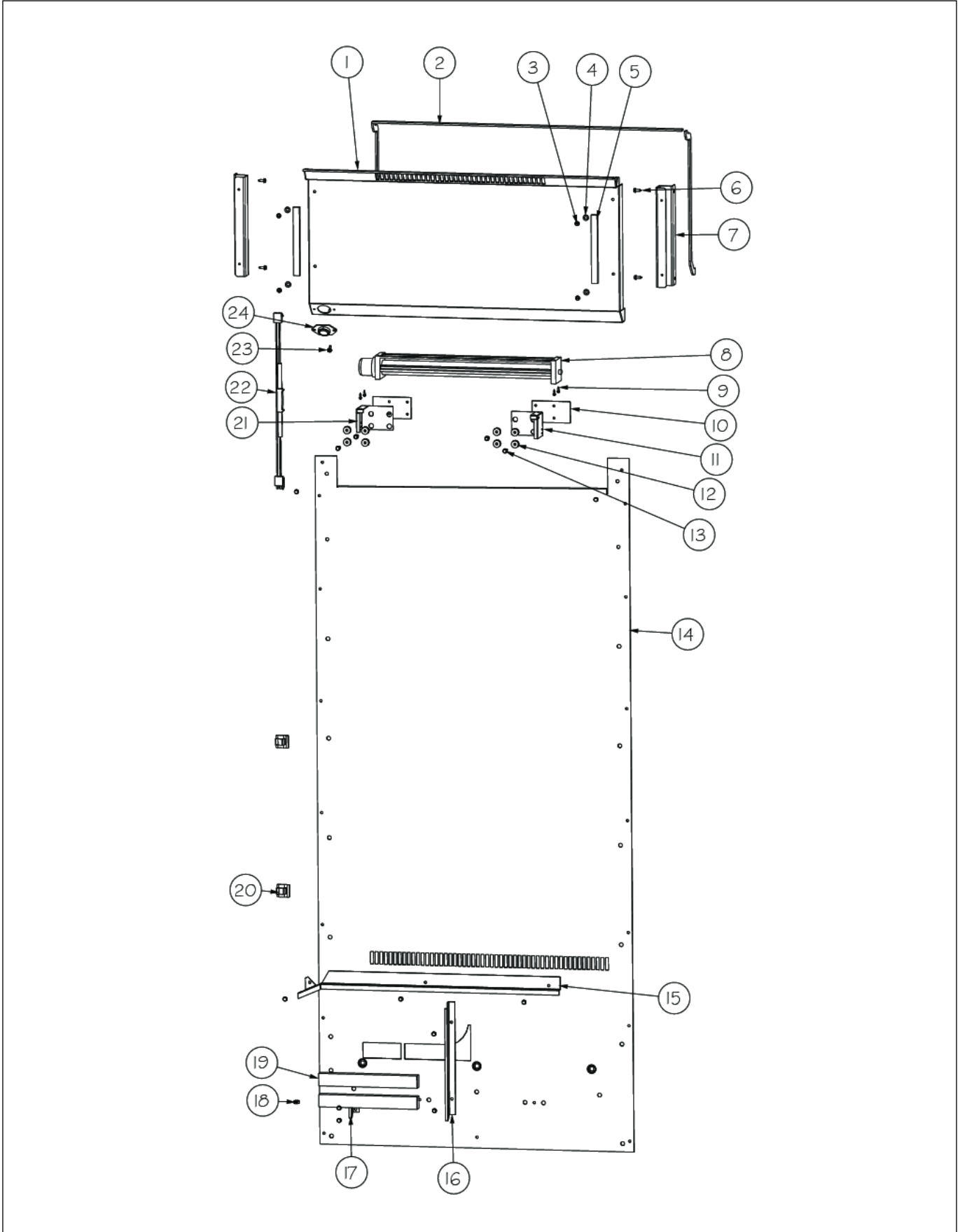


**VCRB530**

AIR HANDLING ASSEMBLY .....	1
CONTROL ASSEMBLY .....	2
DOOR ASSEMBLY .....	3
EXTERIOR ASSEMBLY .....	4
INTERIOR ASSEMBLY .....	5
LOW SIDE ASSEMBLY .....	6
LOWER UNIT ASSEMBLY .....	7
MC COVER AND UPPER GRILLE ASSEM .....	8
SEALED SYSTEM ASSEMBLY .....	9
Appendix A:Pages Index .....	A
Appendix B:Parts Index .....	B

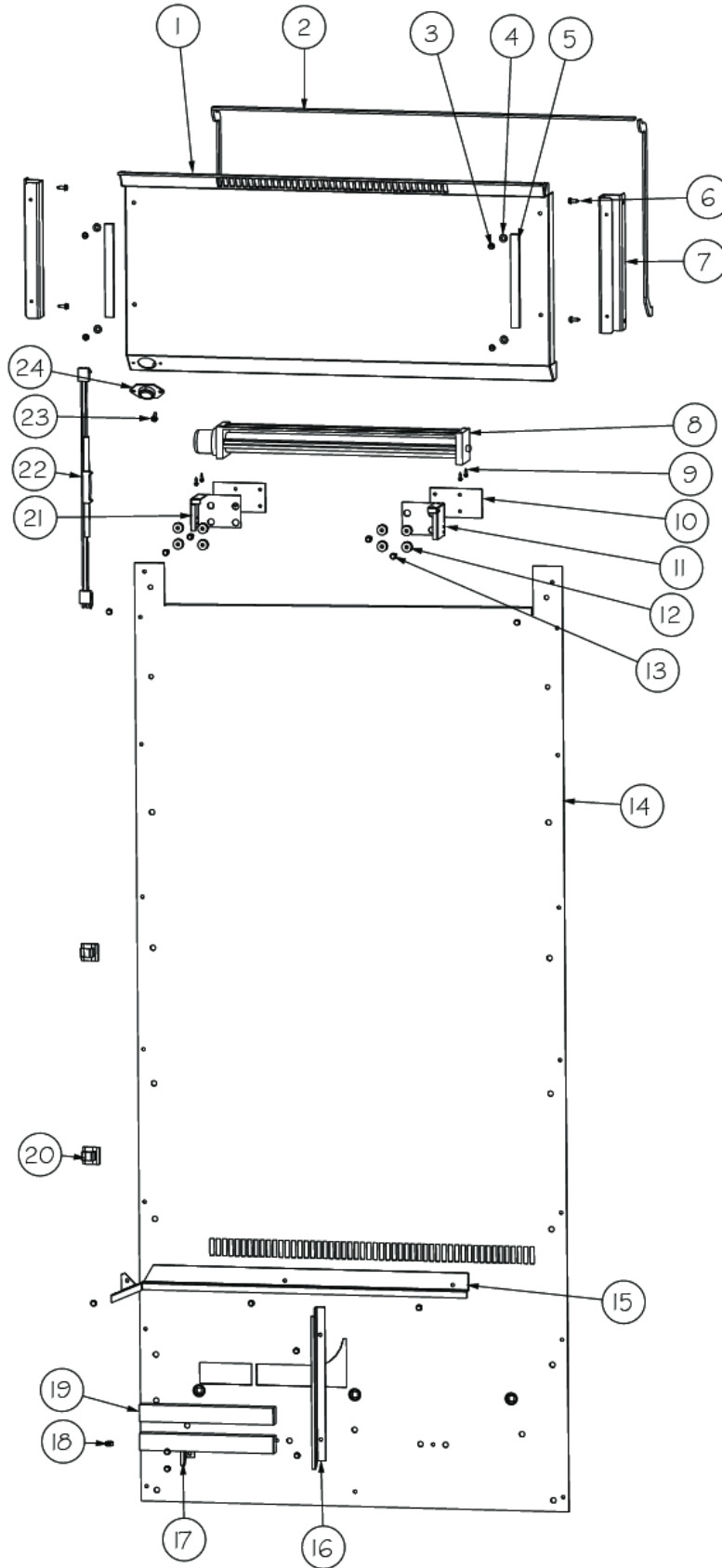


AIR HANDLING ASSEMBLY





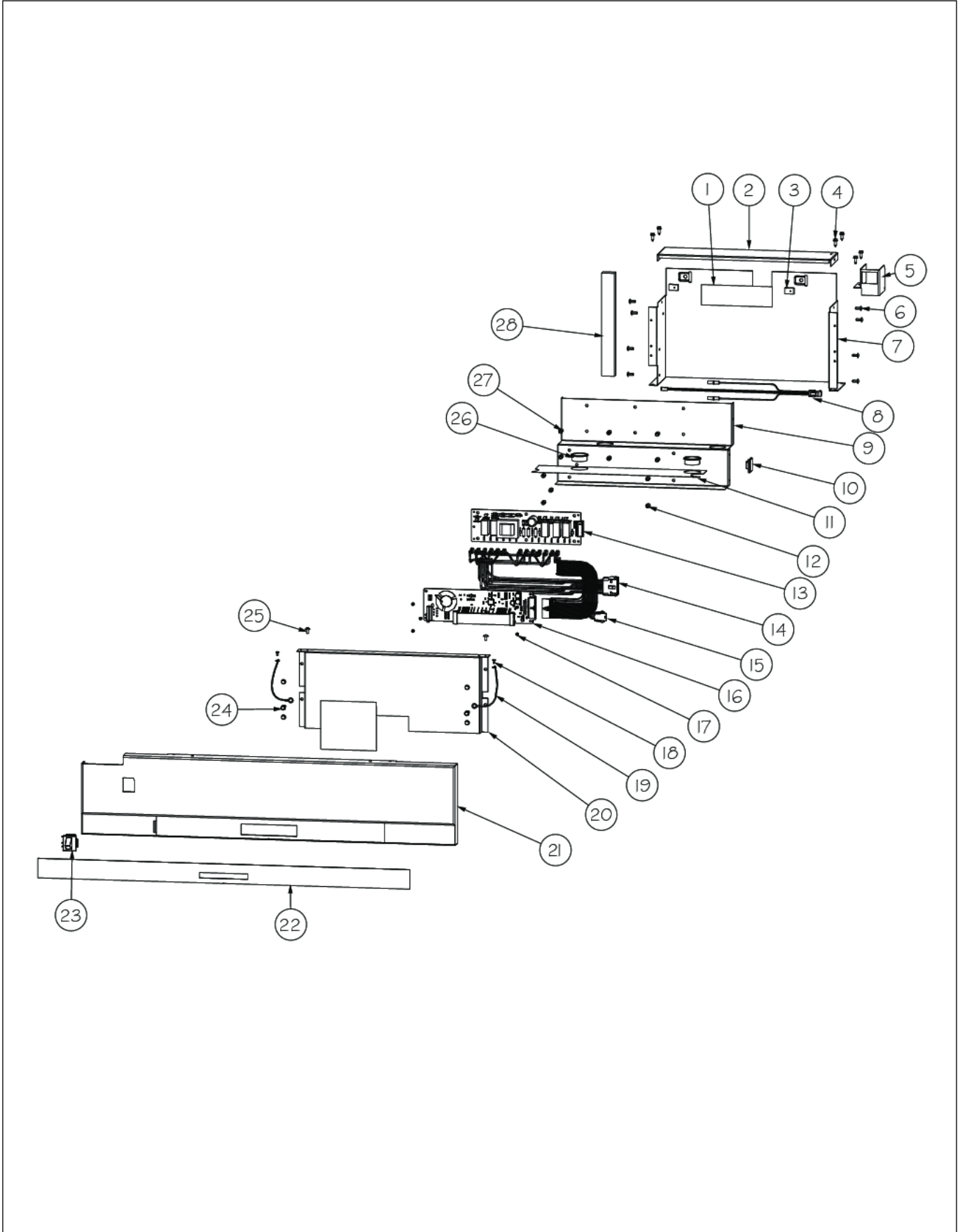
Item	Part No.	Name	Qty	Uom	NOTES
1	L20914101	COVER EVAP AR 30	1	EA	
2	020928-000	COVER, EVAP, ASM, AIR, HDLG, AR, 30	1	EA	
3	PD020238	SCR WH HEX WSHR HD SLTD #8-18 X 1/2	4	EA	
4	PD040150	WASHER FLAT NYLON #10	4	EA	
5	PB070288	1/4" X 1/2" CLOSED CELL SPONGE	2	EA	
6	PD020194	SCR, HEX SRTD WSHR HD, #8-18 X 1/2	13	EA	
7	K20914102	K20914102	2	EA	
8	PE950154	FAN EVAP HORIZ AF AR 30 (See TR-0063-SP Fan Bulletin)	1	EA	See TR-0063-SP Fan Bulletin
<p>Comments for Part Num. PE950154</p> <p>gboltz@VikingRange.com on Apr 18, 2019</p> <p>See TR-0063-SP Fan Bulletin</p>					
9	PD020013	TYPE "AB" #6 X 3/8 PH PAN HD. SMS	3	EA	
10	B10914128	SPACER FAN AR 36/30	2	EA	
11	K20914130	BRKT, FAN MTG RT AR 30	1	EA	Not available online / Call for pricing and availability
12	12234001	GROMMET-VIBRATION	8	EA	
13	M0238859	SCREW-SHLDR	4	EA	
14	L20910734	COVER LARGE SUMP AR 30	1	EA	
15	L20913709	DIVIDER AIR AR 30	1	EA	
16	K20912393	PLATE BAFFLE VERTICAL AR 30	1	EA	Not available online / Call for pricing and availability
17	K20912394	PLATE BAFFLE VERTICAL SMALL AR 30	1	EA	
18	12115101	CLAMP-TUBE V12115101	1	EA	
19	A3030361	GASKET RED	1	EA	
20	M0104106	CLIP-CORD VM0104106	2	EA	
21	K20914131	BRKT, FAN MTG LT AR 30	1	EA	
22	PE970641	JUMPER FAN RESISTOR	1	EA	





Item	Part No.	Name	Qty	Uom	NOTES
23	PD020010	10 X 3/8 GREEN GROUNDING SCREW	1	EA	
24	C8983701	THERMISTOR	1	EA	

CONTROL ASSEMBLY







Item	Part No.	Name	Qty	Uom	NOTES
1	PF930672	LABEL DC COMPRESSOR	2	EA	
2	K20915000	CONTROL BOX TOP	1	EA	
3	M0288120	NUT-SPEED VM0288120	2	EA	
4	PD020194	SCR, HEX SRTD WSHR HD, #8-18 X 1/2	10	EA	
5	K2098654	Bracket, Power Switch	1	EA	
6	PC040010	POP RIVET (.063/GR -.125) GAMD42-A	8	EA	
7	K2099402	CONTROL BOX	1	EA	
8	PE970609	HARNESS CONTROL BOARD 5 SERIES	1	EA	
9	K20910060	BRACKET - PC	1	EA	
10	M0104106	CLIP-CORD VM0104106	1	EA	
11	PM910325	FILM, PROTECTIVE	1	EA	
12	M0585506	SUPPORT	5	EA	
13	005319-000	POWER CONTROL BOARD ASM 5 SERIES	1	EA	

Comments for Part Num. 005319-000

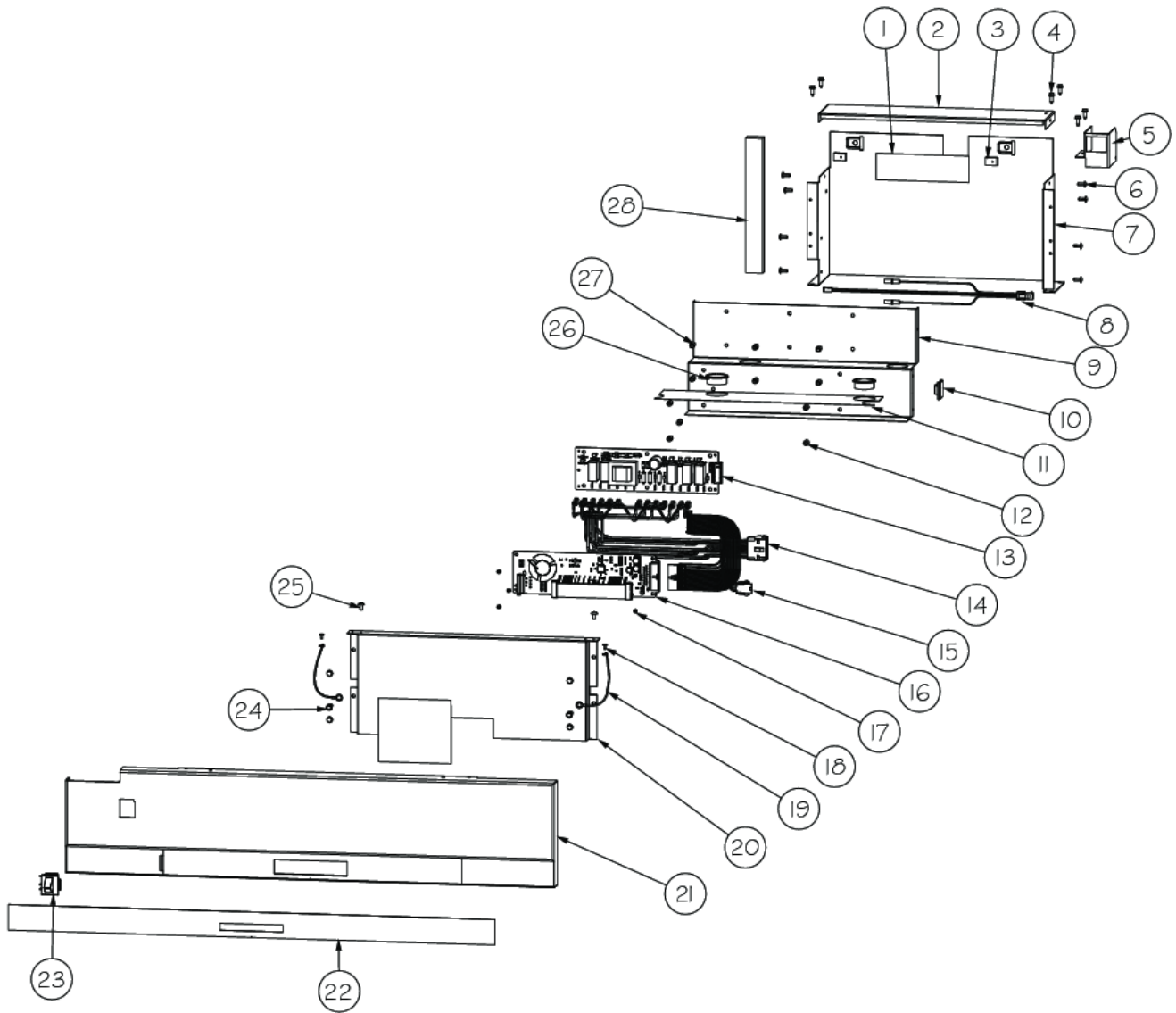
boltz on Apr 12, 2018  
See TR-0056-SP Bulletin

14	PE070785	Harness, High Voltage Board	1	EA	
15	PE970464	HARNESS LOW VOLT 5 SERIES	1	EA	
16	PE070728	BOARD LOW VOLTAGE	1	EA	

Comments for Part Num. PE070728

bradleysapplianceservice@shaw.ca on Apr 27, 2016  
COULD ALSO USE: 002670-000 LOW VOLTAGE BOARD KIT ANALOG - INCLUDES WIRE HARNESS

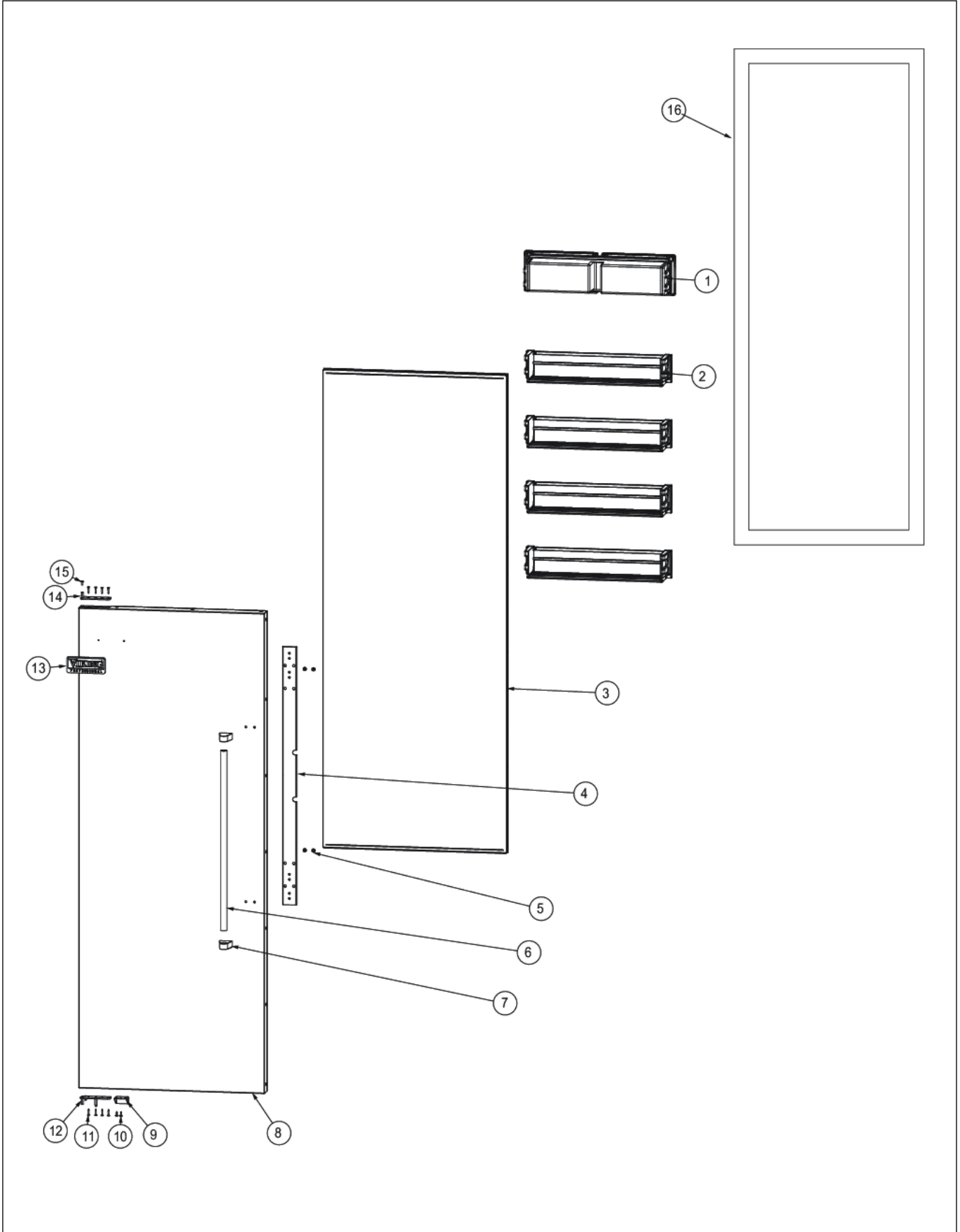
17	PD020013	TYPE "AB" #6 X 3/8 PH PAN HD. SMS	4	EA	
18	PC040010	POP RIVET (.063/GR -.125) GAMD42-A	2	EA	
19	12064001	SUPP-CONT PANEL	2	EA	
20	K20910061	CONTROL BOX FRONT	1	EA	
21	PK030457	PANEL CONTROL AR 30 L	1	EA	
22	010509-000	OVERLAY SWITCH AR 30	1	EA	



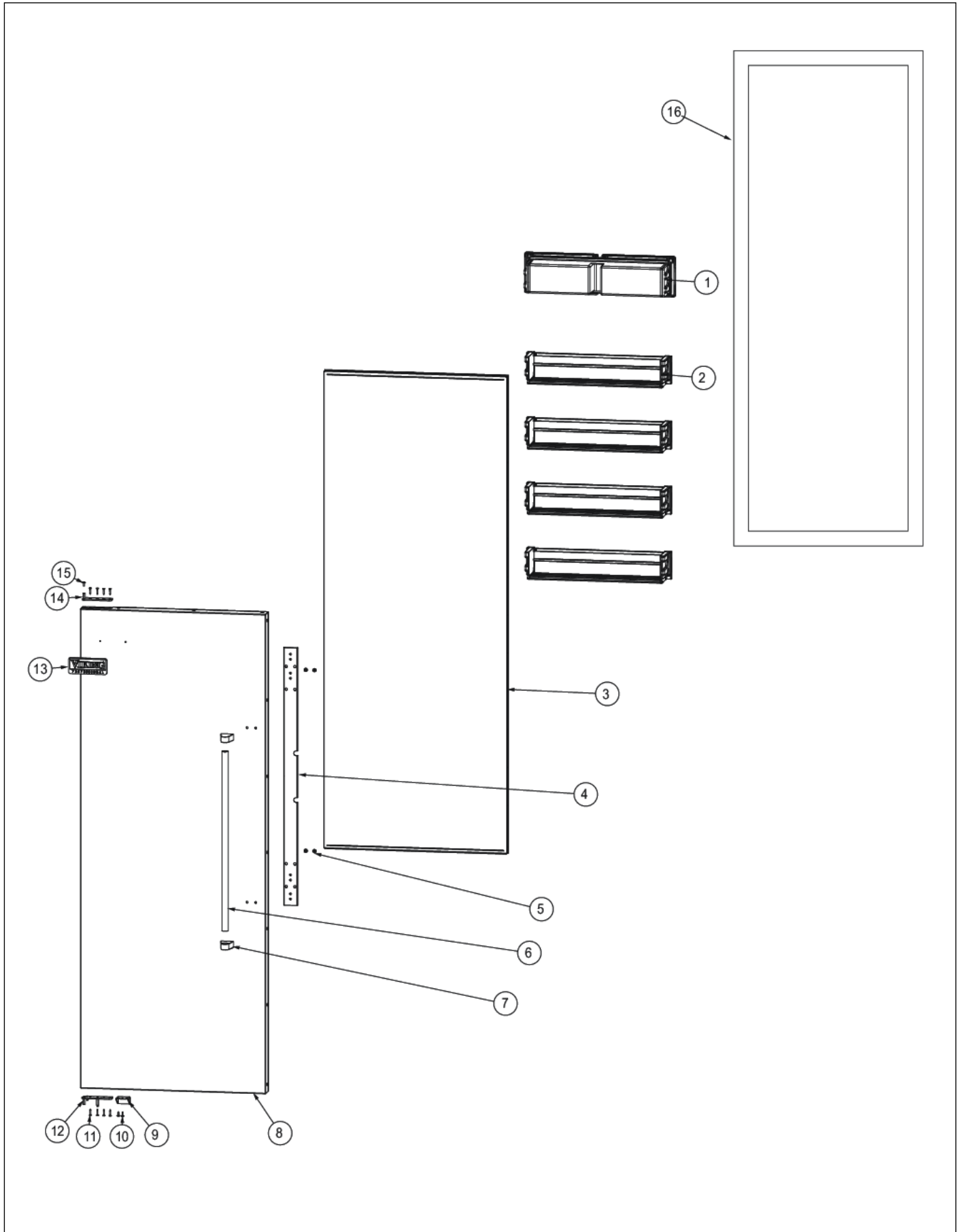


Item	Part No.	Name	Qty	Uom	NOTES
23	PE950122	SWITCH	1	EA	
24	M0238846	SCREW-SHLDR	2	EA	
25	M0224128	SCREW-SM	2	EA	
26	A4554817	BUSHING-SNAP VA4554817	2	EA	
27	M0585504	SUPPORT	6	EA	
28	A3030361	GASKET RED	1	EA	

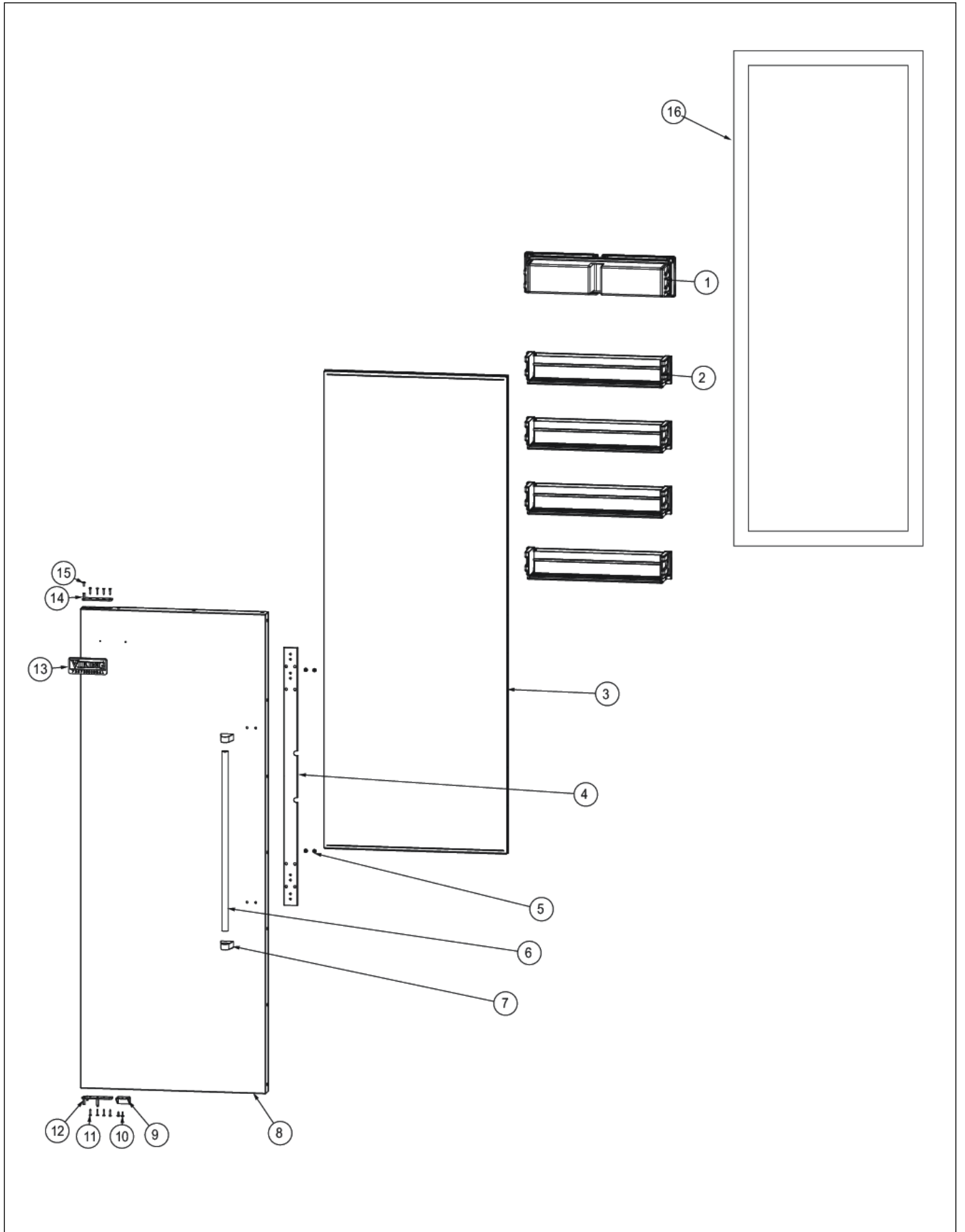
DOOR ASSEMBLY



Item	Part No.	Name	Qty	Uom	NOTES
1	V12203602	DAIRY MODULE ASSY #	1	EA	
2	036886-000	DOORBIN ASM SXS 48 FF	4	EA	
3	G5099059	DOOR FOAM ASM AR 30	1	EA	
4	013327-000	BRACKET,HDL,DES	1	EA	
5	M0204303	SCREW-MACH	4	EA	
6	012891-000	HANDLE,PRO	1	EA	
7	003269-000	ENDCAP,PRO,RH,HINGE	2	EA	
NI	000268-100	HANDLE END CAP ASSY - BR	2	EA	
8	009557-000	SKIN,DOOR,AF AR 30 PRO LH SS	1	EA	
NI	009444-002	SKIN,DOOR,AF AR 30 PRO LH BK	1	EA	
NI	009444-003	SKIN,DOOR,AF AR 30 PRO LH BT	1	EA	
NI	009444-004	SKIN,DOOR,AF AR 30 PRO LH SG	1	EA	
NI	009444-005	SKIN,DOOR,AF AR 30 PRO LH GG	1	EA	Not available online / Call for pricing and availability
NI	009444-006	SKIN,DOOR,AF AR 30 PRO LH WH	1	EA	Not available online / Call for pricing and availability
NI	009444-007	SKIN,DOOR,AF AR 30 PRO LH AL	1	EA	
NI	009444-008	SKIN,DOOR,AF AR 30 PRO LH BU	1	EA	
NI	009444-009	SKIN,DOOR,AF AR 30 PRO LH LE	1	EA	
NI	009444-010	SKIN,DOOR,AF AR 30 PRO LH MJ	1	EA	
NI	009444-011	SKIN,DOOR,AF AR 30 PRO LH FG	1	EA	
NI	009444-012	SKIN,DOOR,AF AR 30 PRO LH VB	1	EA	
NI	009444-013	SKIN,DOOR,AF AR 30 PRO LH CB	1	EA	
NI	009444-014	SKIN,DOOR,AF AR 30 PRO LH EP	1	EA	
NI	009444-015	SKIN,DOOR,AF AR 30 PRO LH PL	1	EA	

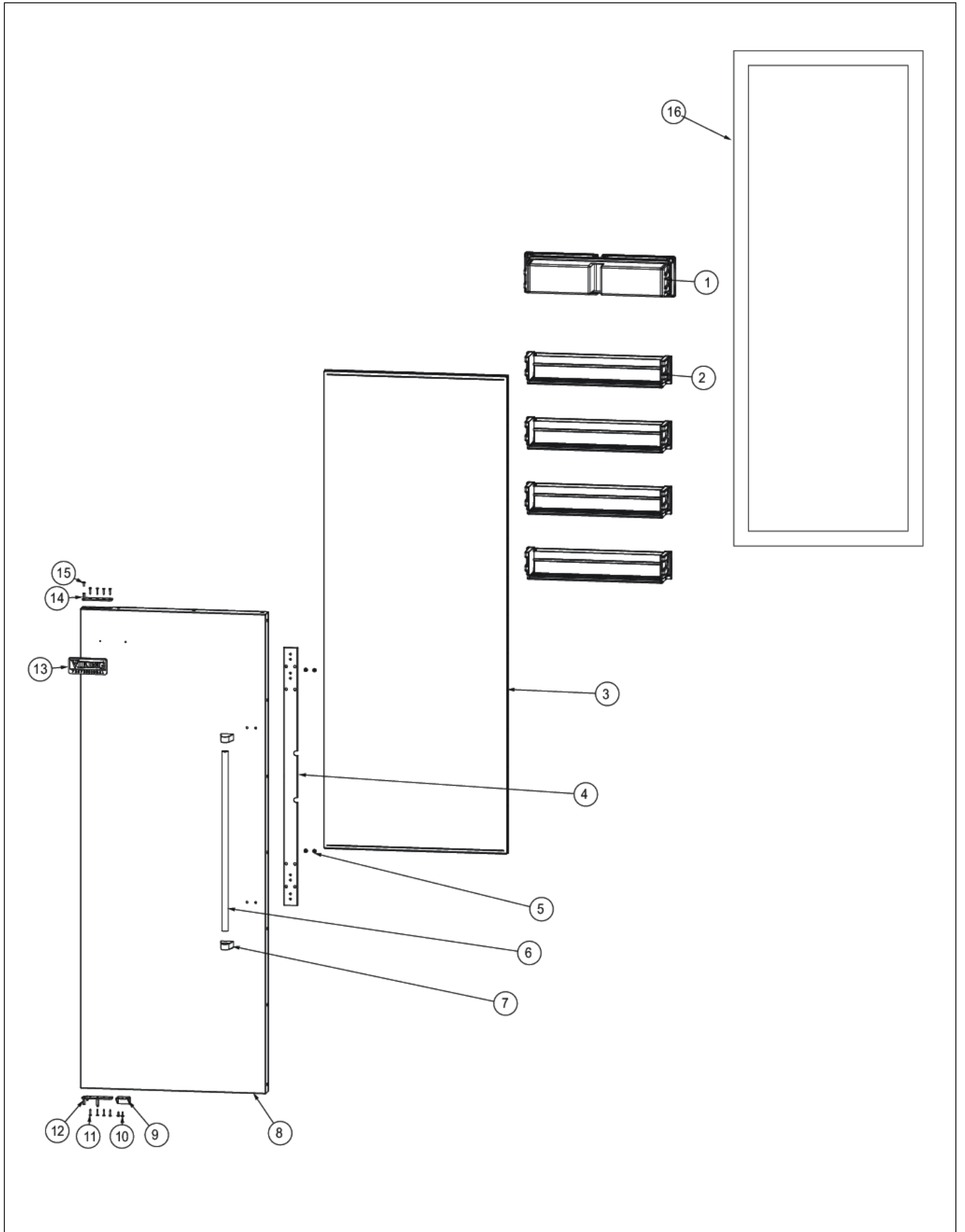


Item	Part No.	Name	Qty	Uom	NOTES
NI	009444-016	SKIN,DOOR,AF AR 30 PRO LH CH	1	EA	
NI	009444-017	SKIN,DOOR,AF AR 30 PRO LH TP	1	EA	
NI	009444-018	SKIN,DOOR,AF AR 30 PRO LH CW NLA	1	EA	
NI	009444-019	SKIN,DOOR,AF AR 30 PRO LH OG	1	EA	
NI	009444-020	SKIN,DOOR,AF AR 30 PRO LH GM	1	EA	
NI	009444-021	SKIN,DOOR,AF AR 30 PRO LH SA	1	EA	
NI	009444-022	SKIN,DOOR,AF AR 30 PRO LH SE	1	EA	
NI	009444-023	SKIN,DOOR,AF AR 30 PRO LH IB	1	EA	
NI	009444-024	SKIN,DOOR,AF AR 30 PRO LH AR	1	EA	
NI	009444-025	SKIN,DOOR,AF AR 30 PRO LH RR	1	EA	
NI	009444-026	SKIN,DOOR,AF AR 30 PRO LH PM	1	EA	
NI	009444-027	SKIN,DOOR,AF AR 30 PRO LH MS	1	EA	
NI	009239-000	SKIN,DOOR,AF AR 30 PRO RH SS	1	EA	
NI	009413-002	SKIN,DOOR,AF AR 30 PRO RH BK	1	EA	
NI	009413-003	SKIN,DOOR,AF AR 30 PRO RH BT	1	EA	
NI	009413-004	SKIN,DOOR,AF AR 30 PRO RH SG	1	EA	
NI	009413-005	SKIN,DOOR,AF AR 30 PRO RH GG	1	EA	
NI	009413-006	SKIN,DOOR,AF AR 30 PRO RH WH	1	EA	
NI	009413-007	SKIN,DOOR,AF AR 30 PRO RH AL	1	EA	
NI	009413-008	SKIN,DOOR,AF AR 30 PRO RH BU	1	EA	
NI	009413-009	SKIN,DOOR,AF AR 30 PRO RH LE	1	EA	
NI	009413-010	SKIN,DOOR,AF AR 30 PRO RH MJ	1	EA	





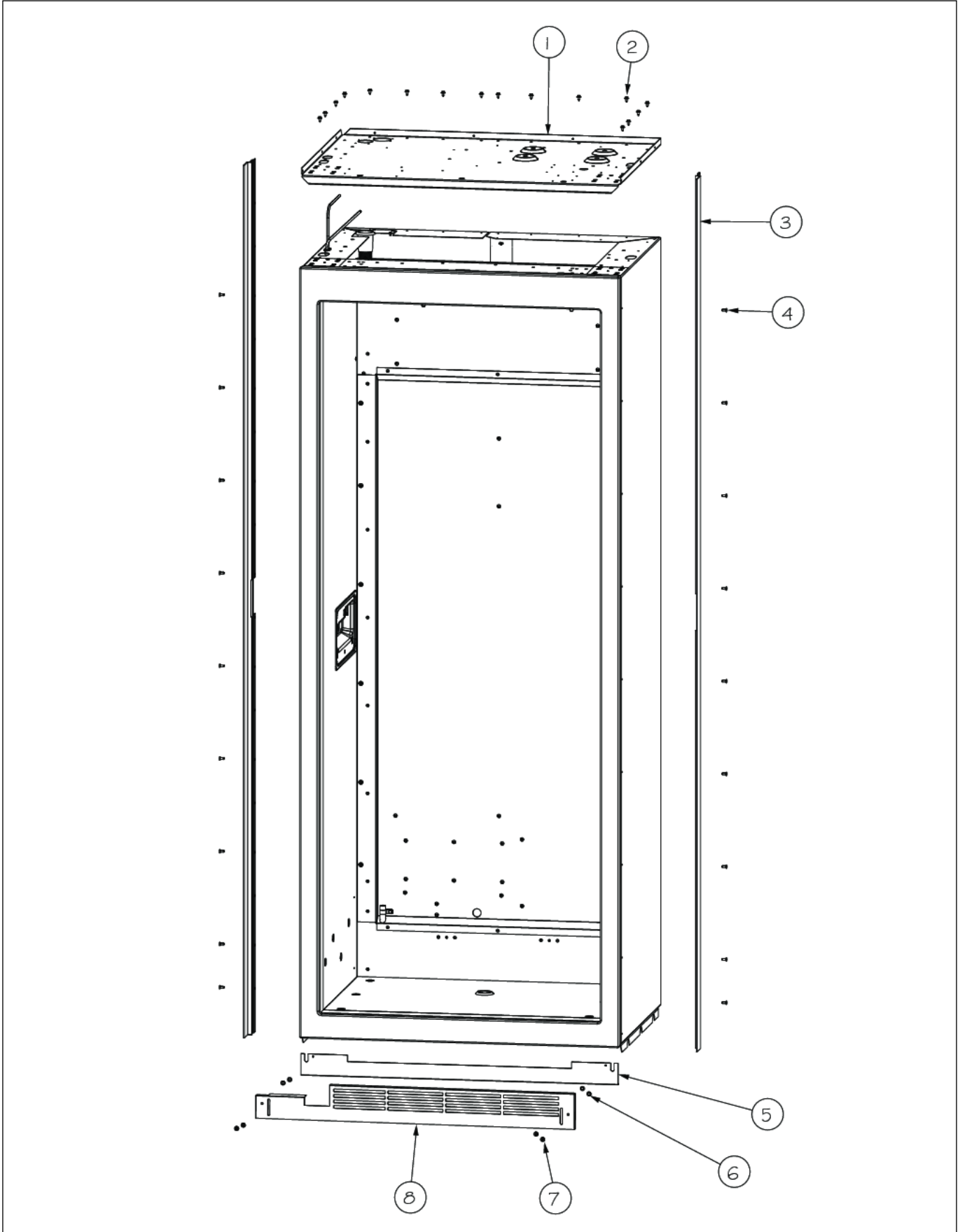
Item	Part No.	Name	Qty	Uom	NOTES
NI	009413-011	SKIN,DOOR,AF AR 30 PRO RH FG	1	EA	
NI	009413-012	SKIN,DOOR,AF AR 30 PRO RH VB	1	EA	
NI	009413-013	SKIN,DOOR,AF AR 30 PRO RH CB	1	EA	
NI	009413-014	SKIN,DOOR,AF AR 30 PRO RH EP	1	EA	
NI	009413-015	SKIN,DOOR,AF AR 30 PRO RH PL	1	EA	
NI	009413-016	SKIN,DOOR,AF AR 30 PRO RH CH	1	EA	
NI	009413-017	SKIN,DOOR,AF AR 30 PRO RH TP	1	EA	
NI	009413-018	SKIN,DOOR,AF AR 30 PRO RH CW NLA	1	EA	
NI	009413-019	SKIN,DOOR,AF AR 30 PRO RH OG	1	EA	
NI	009413-020	SKIN,DOOR,AF AR 30 PRO RH GM	1	EA	
NI	009413-021	SKIN,DOOR,AF AR 30 PRO RH SA	1	EA	
NI	009413-022	SKIN,DOOR,AF AR 30 PRO RH SE	1	EA	
NI	009413-023	SKIN,DOOR,AF AR 30 PRO RH IB	1	EA	
NI	009413-024	SKIN,DOOR,AF AR 30 PRO RH AR	1	EA	
NI	009413-025	SKIN,DOOR,AF AR 30 PRO RH RR	1	EA	
NI	009413-026	SKIN,DOOR,AF AR 30 PRO RH PM	1	EA	
NI	009413-027	SKIN,DOOR,AF AR 30 PRO RH MS	1	EA	
9	PD050019	STRIKER DOOR SWITCH	1	EA	
10	M0210458	SCR 8-18 X 5/8 WAFER PH SMS	1	EA	
11	PD920174	10X7/8 PHILLIPS SMA TRI LOBE SA	5	EA	
12	016182-000	PIVOT PL ASM LH LW PRO/DES	1	EA	
NI	016181-000	PIVOT PL ASM RH LW PRO/DES	1	EA	
13	PE010030	LOGO	1	EA	





Item	Part No.	Name	Qty	Uom	NOTES
NI	PE010068	LOGO 6" (VGRC) BK/BR	1	EA	
14	PC020279	PIVOT PL ASM LH UP PRO/DES	1	EA	
NI	PC020278	PIVOT PL ASM RH UP PRO/DES	1	EA	
15	PD020234	SCREW THP 10-32 X .500 SS BO	1	EA	
16	005448-000	GASKET,ASM,30,AFAR VID# 602711327-17	1	EA	

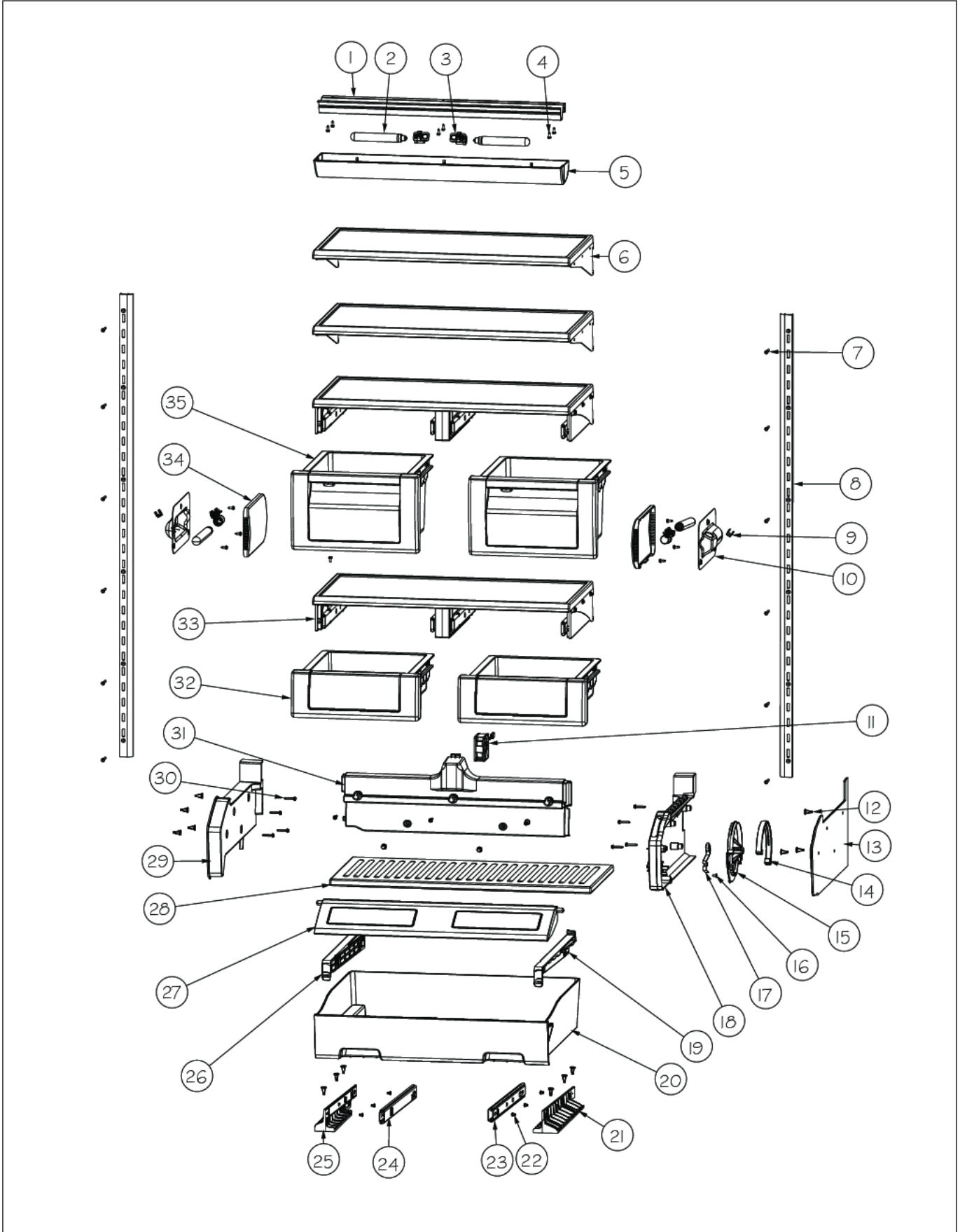
EXTERIOR ASSEMBLY





Item	Part No.	Name	Qty	Uom	NOTES
1	K2099037	OC TOP AF AR 30	1	EA	Not available online / Call for pricing and availability
2	PD020193	SCR 8-18 X 3/8	16	EA	
3	PK910123	SIDE TRIM - PRO	2	EA	
4	M0215318	SCREW-SM	18	EA	
5	000206-002	KICKPLATE, LWR	1	EA	
6	40370P01	NYLON FLAT WASHER V40370P01	4	EA	
7	M0210443	SCREW-E SM VM0210443	4	EA	
8	C20910752	GRILLE TOE VENTED 30 LH	1	EA	

INTERIOR ASSEMBLY





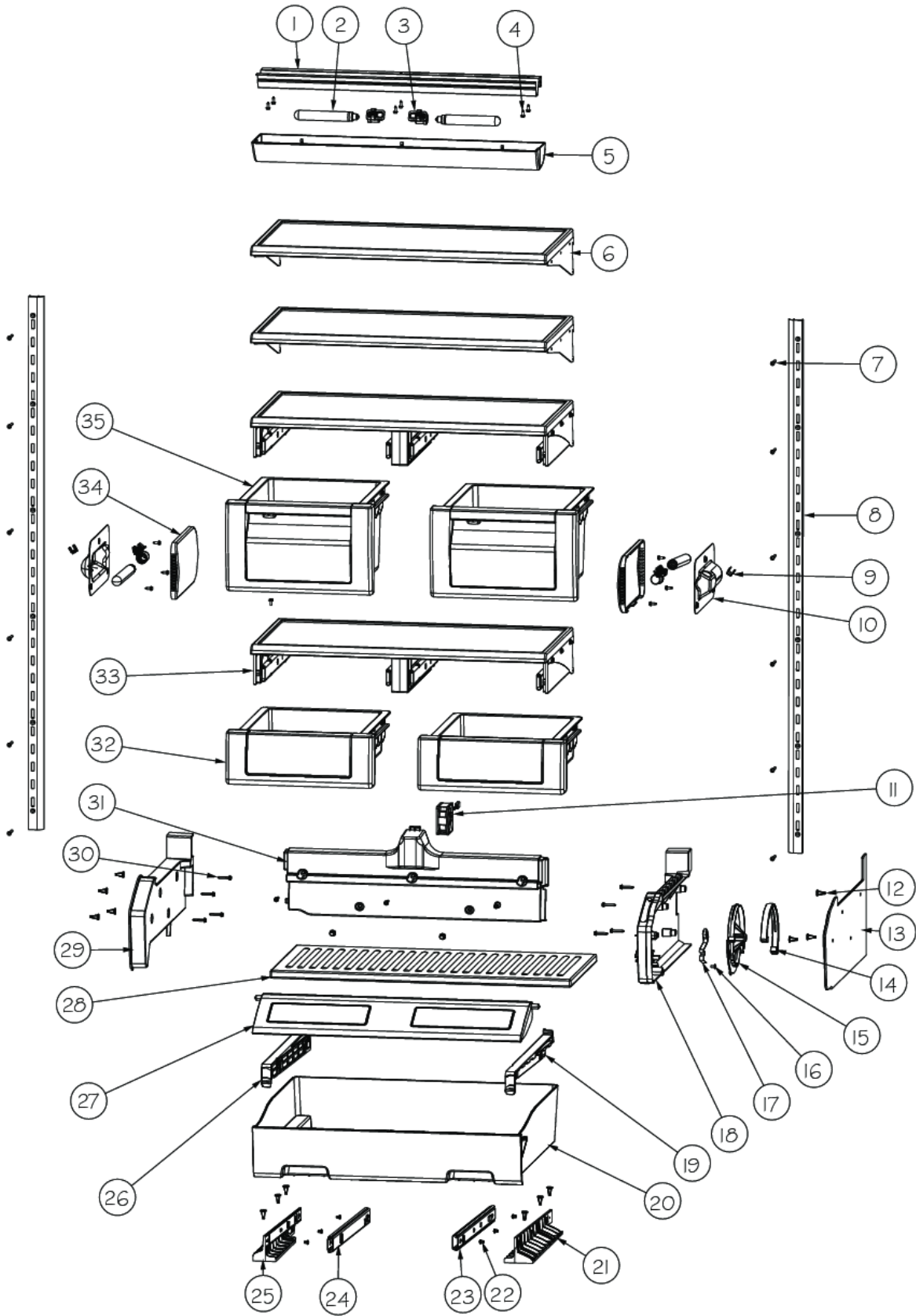
Item	Part No.	Name	Qty	Uom	NOTES
1	L2099492	BRACKET LIGHT SXS 48 FF	1	EA	
2	004528-000	LAMP, 40 WATT CLEAR LIGHT	4	EA	
3	PE950125	LIGHT SOCKET	4	EA	
4	PD020195	SCR 8-18 X 5/8	14	EA	
5	020114-000	COVER LIGHT ASM AF/AR 30 SXS 48 FF	1	EA	
6	043624-000	SHELF ASM GLASS 30 AR 48 FF	2	EA	
7	M0238535	SCREW-SM	12	EA	
8	PM910280	LADDER SIDE AF 30 36	2	EA	
9	B5733302	CLIP-GROUND	2	EA	
10	10270203	HOUSING-LIGHT V10270203	2	EA	
11	004551-000	AXIAL FAN	1	EA	

Comments for Part Num. 004551-000

gboltz@VikingRange.com on Jul 21, 2016

View service bulletin TR-0052-SP before ordering fan, if applicable order kit instead of fan

NI	020822-000	FAN RESISTOR KIT	1	EA	
Not Shown	NOTE	(BEFORE SERIAL# 110409R00010197)		EA	
12	M0581001	GROMMET-SCREW VM0581001	16	EA	
13	PK930283	DUCT MEATSAVOR SPACER	1	EA	
14	PK930172	COVER CONTROL MEAT SAVOR	1	EA	
15	044384-000	DIAL CONTROL MEAT SAVOR	1	EA	
16	M0224128	SCREW-SM	1	EA	
17	PM910334	ROLLER TENSION	1	EA	
18	044232-000	DUCT MEAT SAVOR (R)	1	EA	
19	PK930175	SUPPORT DRAWER MEAT SAVOR SXS 42/48 R	1	EA	
20	PK930309	DRAWER MEAT SAVOR AR 30 SXS 48	1	EA	
21	PK930173	SUPPORT SLIDE MEAT SAVOR SXS 42/48 R	1	EA	
22	PD920162	SCR 8-16 PLASTITE PNP 1/4 S	6	EA	
23	PM910287	SLIDE MEAT SAVOR R	1	EA	

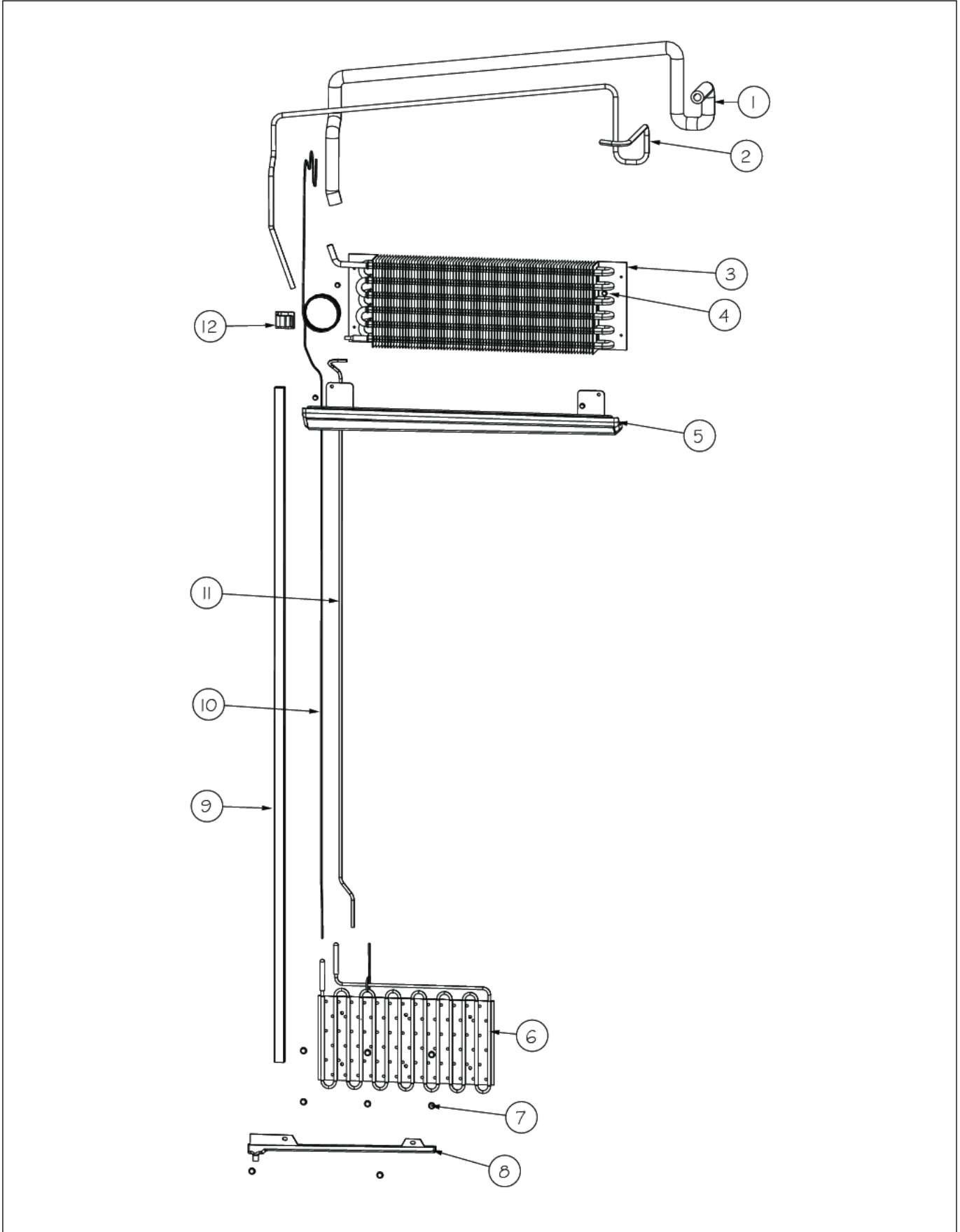






Item	Part No.	Name	Qty	Uom	NOTES
24	PM910288	SLIDE MEAT SAVOR L	1	EA	
<p>Comments for Part Num. PM910288</p> <p>profixappliances@gmail.com on May 3, 2017</p> <p>ITEM # 5 SHOULD BE PK930288-DOOR MEATSAVOR ASM AR/BM 36</p>					
25	PK930174	SUPPORT SLIDE MEAT SAVOR SXS 42/48 L	1	EA	
26	PK930176	SUPPORT DRAWER MEAT SAVOR 42/48 L	1	EA	
27	045692-000	DOOR MEATSAVOR ASM AR 30 SXS 48	1	EA	
28	PK930308	SHELF MEAT SAVOR AR 30 SXS 48	1	EA	
29	PK930284	DUCT MEATSAVOR LEFT	1	EA	
30	M0211021	SCREW-SM	11	EA	
31	PK930307	DUCT MEAT SAVOR AR 30 SXS 48	1	EA	
32	G32911938	DRAWER DELI ASM SXS 48 AR 30	2	EA	
33	G50911937	SHELF ASM	2	EA	
34	PK930346	COVER LIGHT	2	EA	
35	012259-000	DRAWER PRODUCE ASM AR 30/48	2	EA	

LOW SIDE ASSEMBLY



Item	Part No.	Name	Qty	Uom	NOTES
1	PB970188	INSULATION TUBING 45.000 5 SERIES	1	EA	
2	F20911126	TUBE SUCTION AR 30	1	EA	
3	PM910457	EVAPORATOR AR 30	1	EA	
4	PD020194	SCR, HEX SRTD WSHR HD, #8-18 X 1/2	4	EA	
5	G50914188	DRAIN PAN ASM UPPER AR30	1	EA	
6	049987-000	MS HEAT EXCH ASM AR 36 30	1	EA	

Comments for Part Num. 049987-000

bradleysapplianceservice@shaw.ca on Sep 22, 2017

SUBS TO: 049987-000 HEAT EXCHANGER AR 30" / 36"

crystal@knservice.com on Sep 22, 2017

This new aluminum h/e melts where it meets the copper tip when welding during a repair. Any recommendations to prevent this?

Reply by corcoran1@cox.net on Dec 21, 2017

Try heat sink and wrap it in wet towel, use oxy-acetylene torch as opposed to map gas

Reply by bradleysapplianceservice@shaw.ca on Jun 5, 2018

Yes, we have used heat paste but wet rags torn into thin strips works just as good and readily available.

Reply by tim@tnrappliance.com on Dec 20, 2018

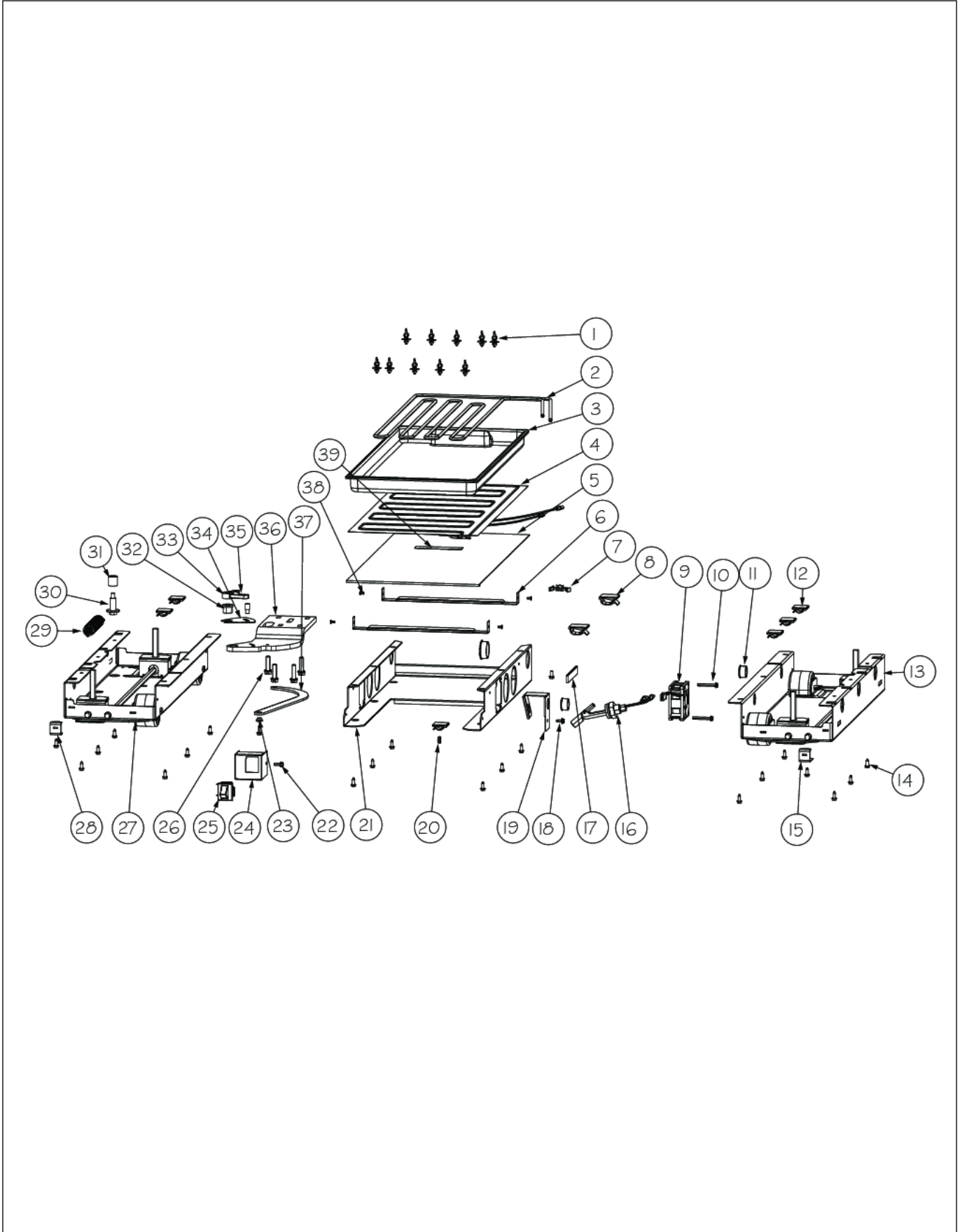
this new aluminum is crap can barely heat it and the copper tip comes off. i now get to redo the job when i get another heat exchanger. has anyone used an epoxy to set the tubes.

bradleysapplianceservice@shaw.ca on Jun 5, 2018

Use caution when brazing, must use heat sink to avoid melting the aluminum. Use heat paste or wet rags. Also be sure check ports before installing. We have had a plugged port from factory when they installed the copper ends they closed off the port internally. Can't be seen easily so use nitrogen to blow through ports to be sure they are not plugged. It would have been nice to see at least 3 more inches of copper on the ends. It's easier to cut the above tubing to size than deal with these stubby copper ports.

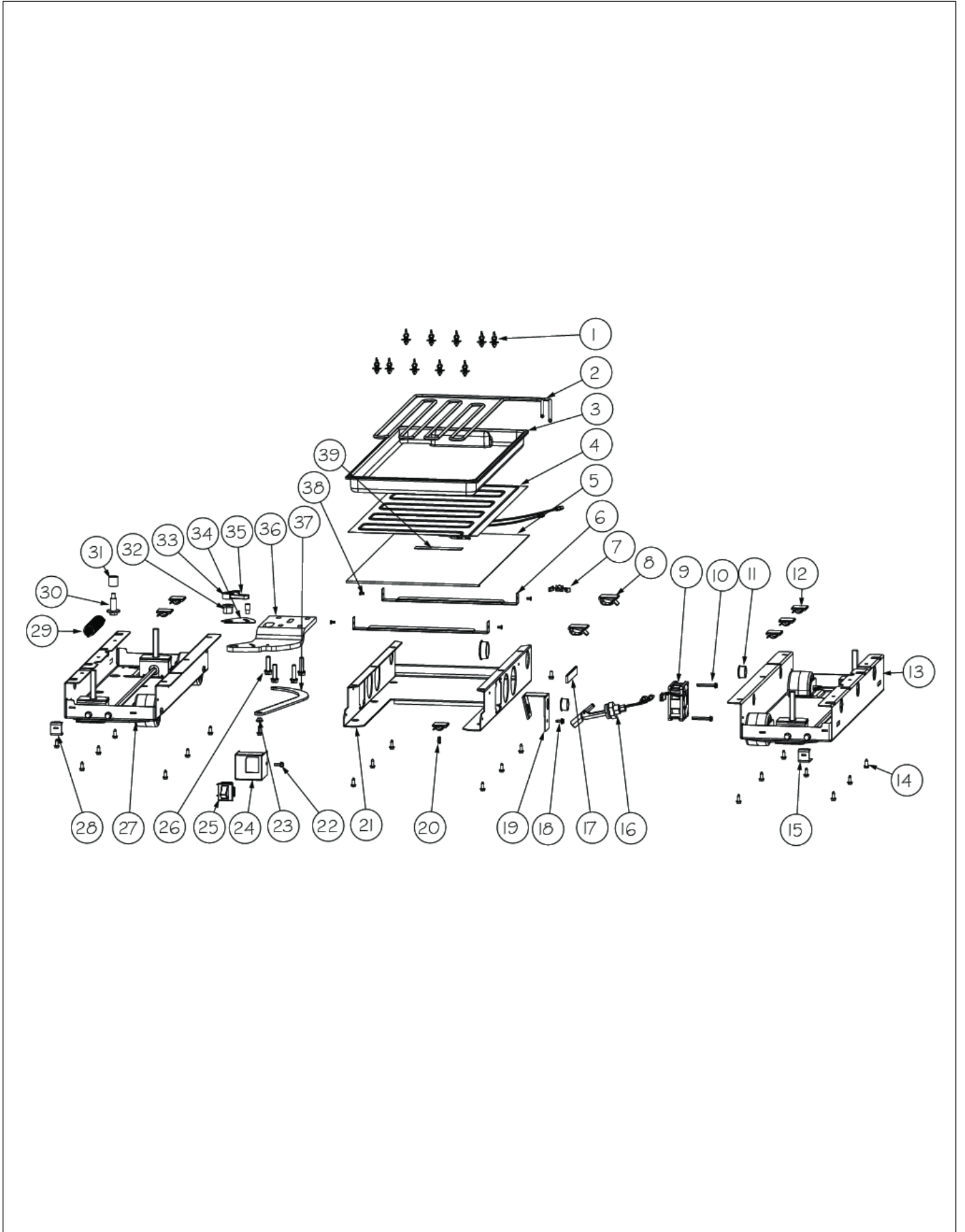
7	PD020032	SRW-8(A)X3/8"PH.WFR HD 7/16DIA*NICL	8	EA	
8	PK030445	PAN DRAIN LOWER EVAP AR 30 36	1	EA	
9	PK030446	DRAIN VERTICAL AR 30 36	1	EA	
10	PB920246	TUBE CAPILLARY ASM AR 36 30	1	EA	
11	F20913719	TUBE EVAP AR 30	1	EA	
12	M0104102	CLIP-CORD RED	1	EA	

LOWER UNIT ASSEMBLY



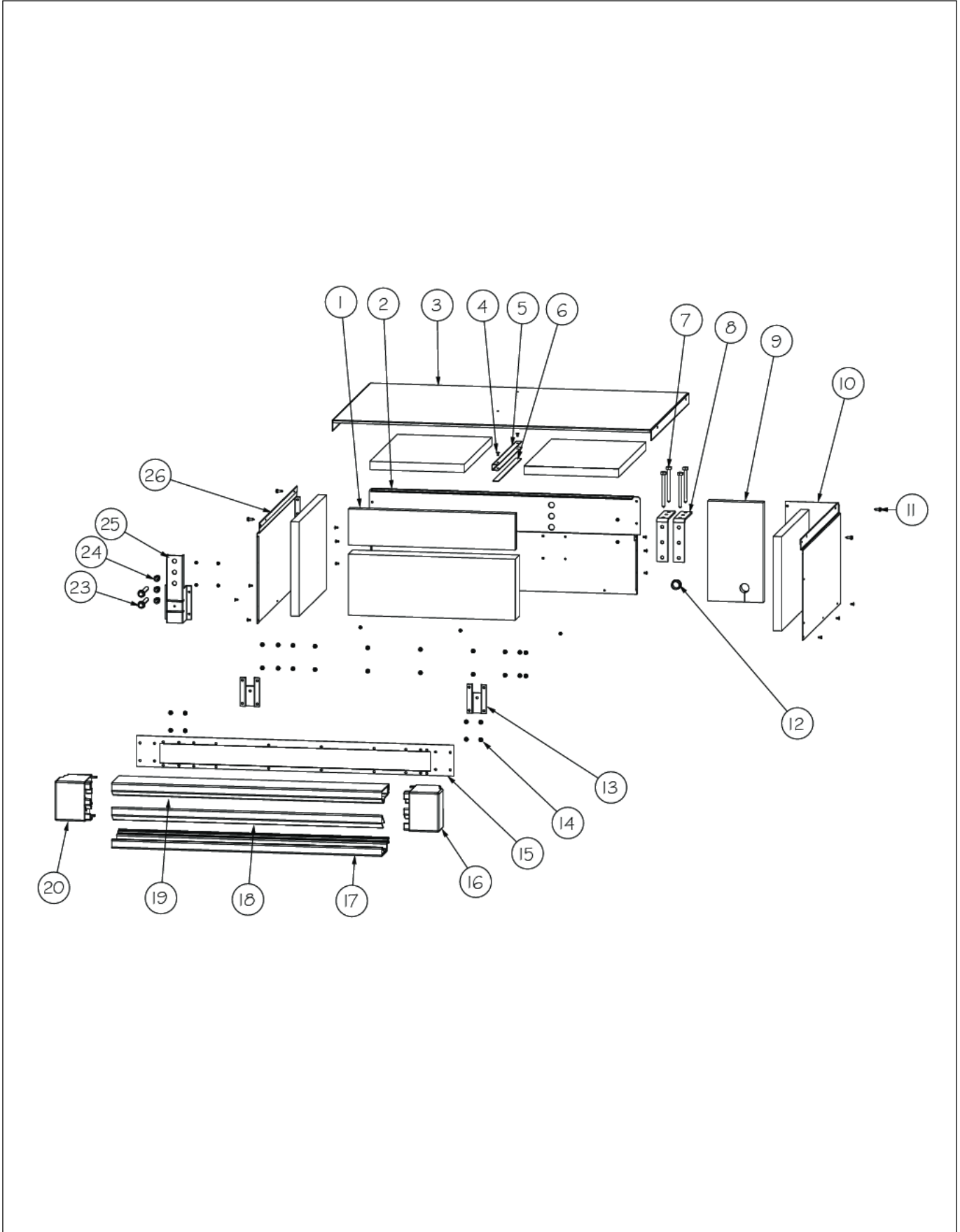


Item	Part No.	Name	Qty	Uom	NOTES
1	PD030146	STAND OFF LOCK CLIP	1	EA	
2	F2099927	SERPENTINE AF AR 30	1	EA	
3	PK930347	PAN-DRAIN AF AR 30	1	EA	
4	PE070823	PAN HEATER AFAR 30	1	EA	
5	L20915602WH	TRAY PAN HEATER AF/AR 30	1	EA	
6	K20911832	BRACKET CONDENSATE SUPPORT	1	EA	
7	M0327801	TAP-ELECTRO	1	EA	
8	M0104102	CLIP-CORD RED	2	EA	
9	004551-000	AXIAL FAN	1	EA	
<p>Comments for Part Num. 004551-000</p> <p>gboltz@VikingRange.com on Jul 21, 2016</p> <p>View service bulletin TR-0052-SP before ordering fan, if applicable order kit instead of fan</p>					
10	PD020274	SCR SLTD HEX WSHR HD 8X1.250 BT	2	EA	
11	A4554806	BUSHING-SNAP VA4554806	2	EA	
12	M0104106	CLIP-CORD VM0104106	4	EA	
13	060890-000	LEVELER MODULE R	1	EA	
14	PD020194	SCR, HEX SRTD WSHR HD, #8- 18 X 1/2	13	EA	
15	K2098044	BRKT GRILLE SUPPORT	1	EA	
16	PE050248	FLOAT SWITCH HORIZONTAL	1	EA	
17	PF930654	LABEL CONDENSATE FAN SERVICE	1	EA	
18	M0253916	SCR 8-32 SHXW 3/8 TRI-LOBE	1	EA	
19	B20915627	BRACKET HORIZ FLOAT SWITCH	1	EA	
20	G50915603	PAN HEATER ASM AF/AR 30	1	EA	
21	K20915953	SHIELD BOTTOM DRAIN	1	EA	
22	M0220417	SCREW-TC	2	EA	
23	PD940094	BUSHING	1	EA	
24	002668-000	SWITCH,GRILLE,MT,LH	1	EA	
25	PE950147	SWITCH SPST NC BLACK	1	EA	



Item	Part No.	Name	Qty	Uom	NOTES
Comments for Part Num. PE950147					
bradleysapplianceservice@shaw.ca on May 1, 2017					
CAUTION WHEN ORDERING DOOR SWITCH. PARTS LISTINGS COULD BE INCORRECT.					
THERE IS TWO VERSIONS OF THIS DOOR SWITCH THAT NEEDS TO BE VISUALLY CHECKED ON UNIT TO DETERMINE CORRECT PART.					
PE950146 DOOR SWITCH 3 WIRE SPDT BLACK					
PE950147 DOOR SWITCH 2 WIRE SPST BLACK					
26	000570-000	FASTENER, BOLT, 1/4-20 IHXWS 1" S ZN SER	2	EA	
27	060891-000	LEVELER MODULE L	1	EA	
28	K2098096	BRKT GRILLE SUPPORT	1	EA	
29	PC910015	SPRING EXTENSION	1	EA	
30	M0221523	SCREW - SHLDR	1	EA	
31	PD940107	ROUND SPRING SPACER	1	EA	
32	PD940090	BUSHING - WC DOOR LEVEL	1	EA	
33	PD940091	BUSHING - DOOR STOP	1	EA	
34	PC920144	PLATE - WC DOOR SHIM	1	EA	
35	PC920145	PIN - DOOR STOP	1	EA	
36	PC020289	HINGE PLATE LL	1	EA	
37	PC920149	BAR-WC BOT HINGE LH	1	EA	
38	PC040010	POP RIVET (.063/GR -.125) GAMD42-A	1	EA	
39	PF031268	LABEL HEATER PAN AF/AR 30	1	EA	
NI	PK930424	VALVE POP UP ASM	1	EA	

MC COVER AND UPPER GRILLE ASSEM

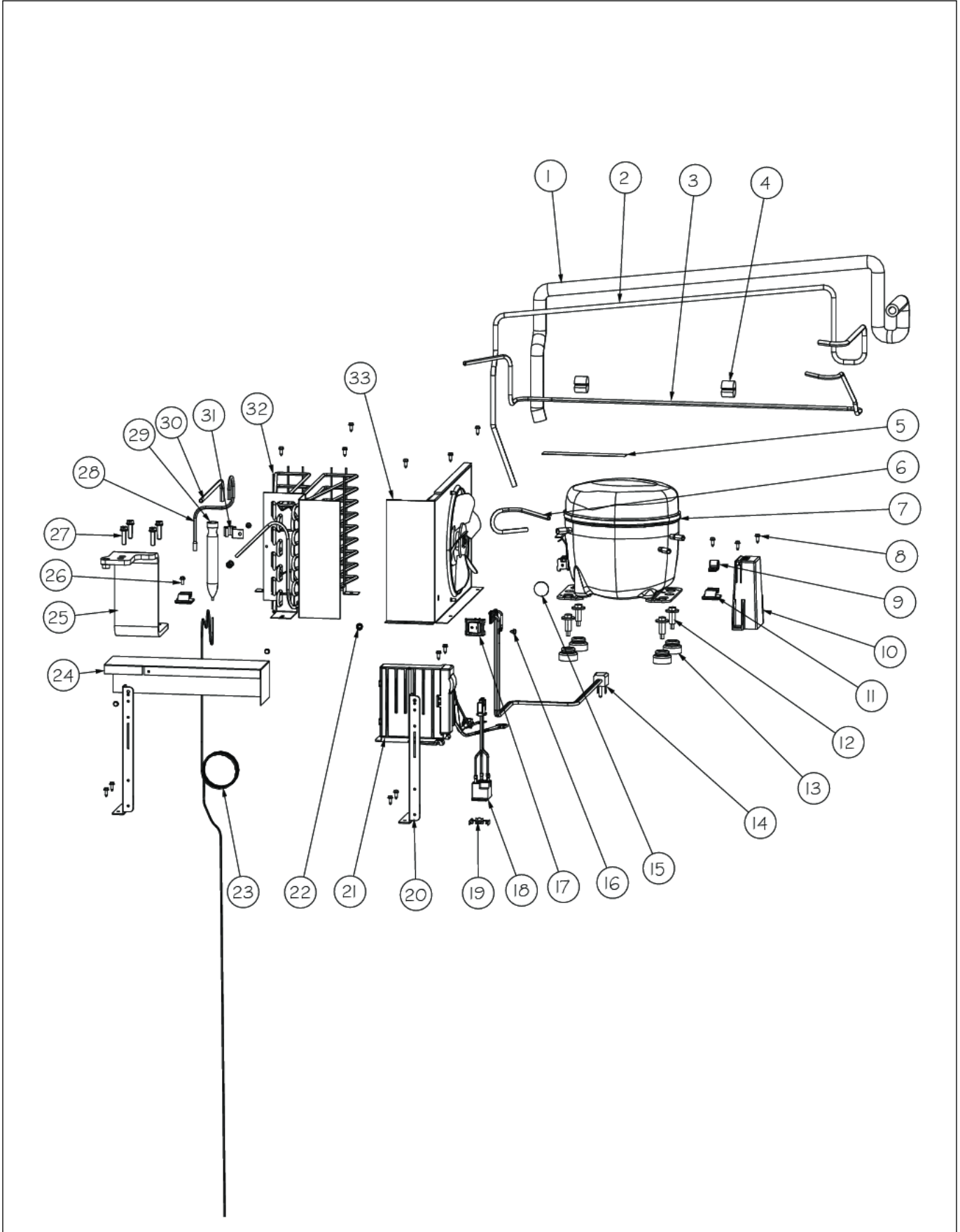






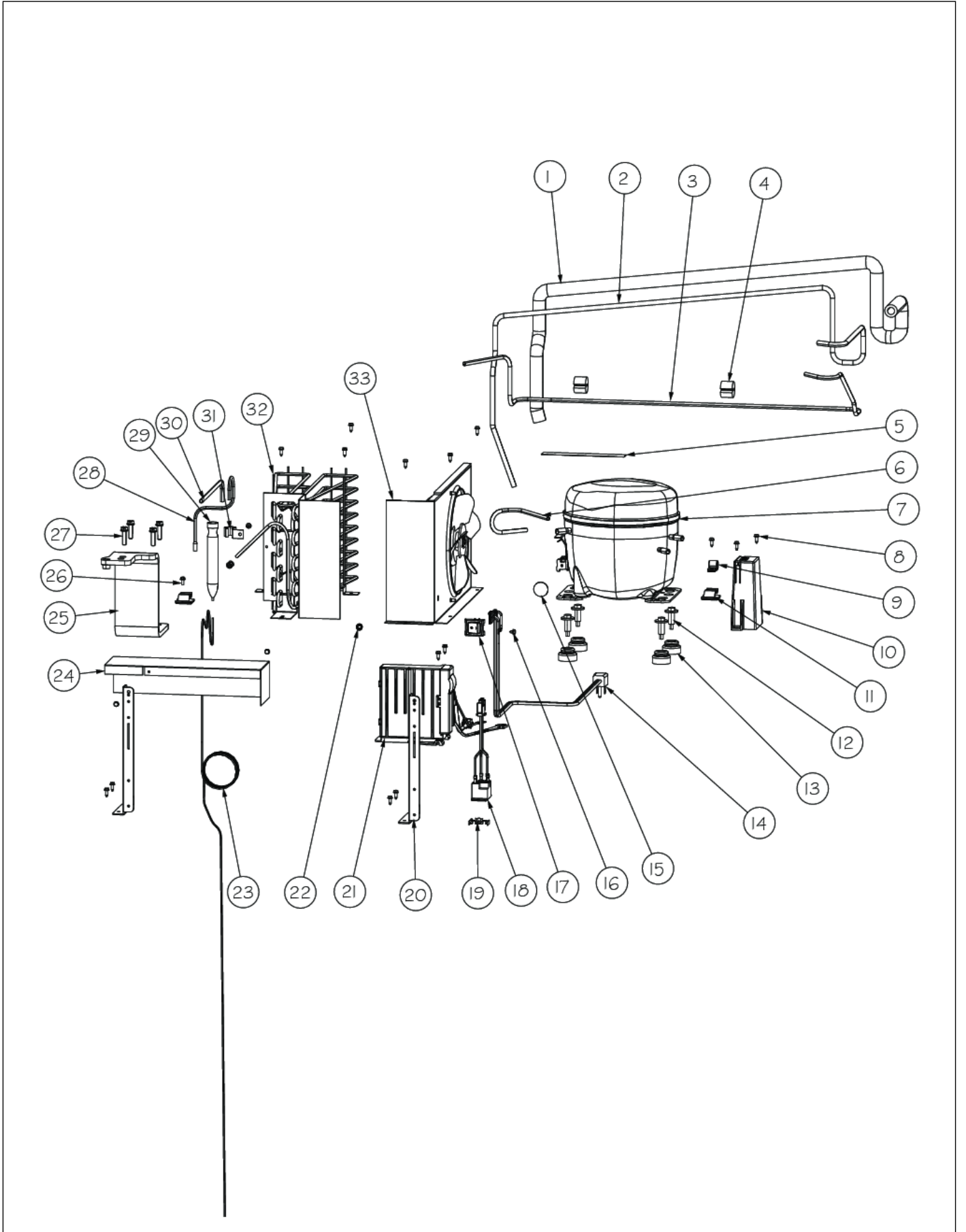
Item	Part No.	Name	Qty	Uom	NOTES
1	PB070355	INSULATION MC COVER	6	EA	
2	K2099932	MC BACK 30	1	EA	
3	K2099930	MC TOP 30	1	EA	
4	PC040010	POP RIVET (.063/GR -.125) GAMD42-A	23	EA	
5	K2099455	SUPPORT MC Z	1	EA	
6	G5099928	MC COVER COMPLETE ASM 30	1	EA	
7	M0223509	SCREW-LAG	4	EA	
8	PK910089	BRACKET, ANTI - TIP	2	EA	
9	PB970171	MC INSULATION - BACK SIDE	1	EA	Not available online / Call for pricing and availability
10	K2099459	MC SIDE (RIGHT)	1	EA	
11	PD020194	SCR, HEX SRTD WSHR HD, #8- 18 X 1/2	24	EA	
12	A4554806	BUSHING-SNAP VA4554806	1	EA	
13	PK050004	BRACKET GRILLE 5 SERIES	2	EA	
14	M0253916	SCR 8-32 SHXW 3/8 TRI-LOBE	8	EA	
15	003280-000	PLATE,BACK,GRILLE	2	EA	
16	003260-000	ENDCAP,PRO,RH	1	EA	
17	003279-000	EXTRUSION,LOUVER,BOTTOM	1	EA	
18	003278-000	EXTRUSION,LOUVER,MIDDLE	1	EA	
19	003277-000	EXTRUSION,LOUVER,TOP	1	EA	
20	003274-000	ENDCAP,PRO,LH,HINGE - NLA	1	EA	
23	PD020233	SCR LAG 5/16-9 GX 5/16X7/16 WAF IHXW 3 S ZN	2	EA	
24	PD040157	BEARING SLEEVE	3	EA	
25	K20915675	BRACKET PSM	1	EA	
26	K2099460	MC SIDE L	1	EA	

SEALED SYSTEM ASSEMBLY





Item	Part No.	Name	Qty	Uom	NOTES
1	PB970187	INSULATION TUBING 57.500 WC, 5 SERIES	1	EA	
2	F20911126	TUBE SUCTION AR 30	1	EA	
3	F20910729	TUBE DISCHARGE AF AR 30	1	EA	
4	10699601	DAMPER-TUBING .8	2	EA	
5	C8982701	LABEL-COMP WARN	1	EA	
6	F2096507	TUBE-PROCESS GRN	1	EA	
7	PM010620	COMPRESSOR VCC AR	1	EA	
Comments for Part Num. PM010620					
gboltz@VikingRange.com on Aug 9, 2018					
See TR-0101B-SP Bulletin					
8	PD020194	SCR, HEX SRTD WSHR HD, #8-18 X 1/2	18	EA	
9	PD030118	INSULATED CLAMP	1	EA	
10	050894-000	ASSY, BKT, PWR SUPPLY, 24VDC, REF	1	EA	
11	M0104102	CLIP-CORD RED	2	EA	
12	M0221523	SCREW - SHLDR	4	EA	
13	10835901	GROMMET RUBBER V10835901	4	EA	
14	10916507C	CORD-POWER V10916507	1	EA	Not available online / Call for pricing and availability
15	PF930682	LABEL WARNING INVERTER	1	EA	
16	M0211014	SCREW-SM	1	EA	Not available online / Call for pricing and availability
17	PE950149	SWITCH POWER	1	EA	
18	G50915958	ASM AR SABBATH MODE RELAY	1	EA	
19	M0327801	TAP-ELECTRO	1	EA	
20	K20912569	BRACKET GRILLE SUPPORT	2	EA	
21	011666-000	INVERTER,CMPR,ASM	1	EA	





Item	Part No.	Name	Qty	Uom	NOTES
Comments for Part Num. 011666-000					
gboltz@VikingRange.com on Aug 9, 2018					
See 2018-01P Parts Bulletin					
22	007407-000	RING,LOK, .187 DIA	2	EA	
23	F20912567	TUBE CAPILLARY FORMED	1	EA	
24	K20912570	DIVERTER AIR HI SIDE 30	1	EA	Not available online / Call for pricing and availability
25	PC920204	HINGE ASM UL	1	EA	
NI	PC920203	HINGE ASM UR	1	EA	
26	PD020010	10 X 3/8 GREEN GROUNDING SCREW	1	EA	
27	000570-000	FASTENER, BOLT, 1/4-20 IHXWS 1" S ZN SER	1	EA	
28	003325-000	TUBE DRIER COND	1	EA	
29	PM010616	DRIER - HIGH SIDE	1	EA	
30	F2097740	TUBE PROCESS	1	EA	
31	10547001	CLIP-DRIER V10547001	1	EA	
32	PB920171	CONDENSER ASM	1	EA	
33	G5096494	COND. FAN ASSY	1	EA	



Appendix A:Pages Index

AIR HANDLING ASSEMBLY ..... 1  
CONTROL ASSEMBLY ..... 2  
DOOR ASSEMBLY ..... 3  
EXTERIOR ASSEMBLY ..... 4  
INTERIOR ASSEMBLY ..... 5  
LOW SIDE ASSEMBLY ..... 6  
LOWER UNIT ASSEMBLY ..... 7  
MC COVER AND UPPER GRILLE ASSEM ..... 8  
SEALED SYSTEM ASSEMBLY ..... 9



Appendix B:Parts Index

000206-002	4	009413-024	3
000268-100	3	009413-025	3
000570-000	7, 9	009413-026	3
002668-000	7	009413-027	3
003260-000	8	009444-002	3
003269-000	3	009444-003	3
003274-000	8	009444-004	3
003277-000	8	009444-005	3
003278-000	8	009444-006	3
003279-000	8	009444-007	3
003280-000	8	009444-008	3
003325-000	9	009444-009	3
004528-000	5	009444-010	3
004551-000	5, 7	009444-011	3
005319-000	2	009444-012	3
005448-000	3	009444-013	3
007407-000	9	009444-014	3
009239-000	3	009444-015	3
009413-002	3	009444-016	3
009413-003	3	009444-017	3
009413-004	3	009444-018	3
009413-005	3	009444-019	3
009413-006	3	009444-020	3
009413-007	3	009444-021	3
009413-008	3	009444-022	3
009413-009	3	009444-023	3
009413-010	3	009444-024	3
009413-011	3	009444-025	3
009413-012	3	009444-026	3
009413-013	3	009444-027	3
009413-014	3	009557-000	3
009413-015	3	010509-000	2
009413-016	3	011666-000	9
009413-017	3	012259-000	5
009413-018	3	012891-000	3
009413-019	3	013327-000	3
009413-020	3	016181-000	3
009413-021	3	016182-000	3
009413-022	3	020114-000	5
009413-023	3	020822-000	5
		020928-000	1



036886-000	3	G5099928	8
043624-000	5	K20910060	2
044232-000	5	K20910061	2
044384-000	5	K20911832	7
045692-000	5	K20912393	1
049987-000	6	K20912394	1
050894-000	9	K20912569	9
060890-000	7	K20912570	9
060891-000	7	K20914102	1
10270203	5	K20914130	1
10547001	9	K20914131	1
10699601	9	K20915000	2
10835901	9	K20915675	8
10916507C	9	K20915953	7
12064001	2	K2098044	7
12115101	1	K2098096	7
12234001	1	K2098654	2
40370P01	4	K2099037	4
A3030361	1,2	K2099402	2
A4554806	7,8	K2099455	8
A4554817	2	K2099459	8
B10914128	1	K2099460	8
B20915627	7	K2099930	8
B5733302	5	K2099932	8
C20910752	4	L20910734	1
C8982701	9	L20913709	1
C8983701	1	L20914101	1
F20910729	9	L20915602WH	7
F20911126	6,9	L2099492	5
F20912567	9	M0104102	6,7,9
F20913719	6	M0104106	1,2,7
F2096507	9	M0204303	3
F2097740	9	M0210443	4
F2099927	7	M0210458	3
G32911938	5	M0211014	9
G50911937	5	M0211021	5
G50914188	6	M0215318	4
G50915603	7	M0220417	7
G50915958	9	M0221523	7,9
G5096494	9	M0223509	8
G5099059	3	M0224128	2,5





M0238535	5	PD920162	5
M0238846	2	PD920174	3
M0238859	1	PD940090	7
M0253916	7, 8	PD940091	7
M0288120	2	PD940094	7
M0327801	7, 9	PD940107	7
M0581001	5	PE010030	3
M0585504	2	PE010068	3
M0585506	2	PE050248	7
PB070288	1	PE070728	2
PB070355	8	PE070785	2
PB920171	9	PE070823	7
PB920246	6	PE950122	2
PB970171	8	PE950125	5
PB970187	9	PE950147	7
PB970188	6	PE950149	9
PC020278	3	PE950154	1
PC020279	3	PE970464	2
PC020289	7	PE970609	2
PC040010	2, 2, 7, 8	PE970641	1
PC910015	7	PF031268	7
PC920144	7	PF930654	7
PC920145	7	PF930672	2
PC920149	7	PF930682	9
PC920203	9	PK030445	6
PC920204	9	PK030446	6
PD020010	1, 9	PK030457	2
PD020013	1, 2	PK050004	8
PD020032	6	PK910089	8
PD020193	4	PK910123	4
PD020194	1, 2, 6, 7, 8, 9	PK930172	5
PD020195	5	PK930173	5
PD020233	8	PK930174	5
PD020234	3	PK930175	5
PD020238	1	PK930176	5
PD020274	7	PK930283	5
PD030118	9	PK930284	5
PD030146	7	PK930307	5
PD040150	1	PK930308	5
PD040157	8	PK930309	5
PD050019	3	PK930346	5



PK930347 .....	7
PK930424 .....	7
PM010616 .....	9
PM010620 .....	9
PM910280 .....	5
PM910287 .....	5
PM910288 .....	5
PM910325 .....	2
PM910334 .....	5
PM910457 .....	6
V12203602 .....	3