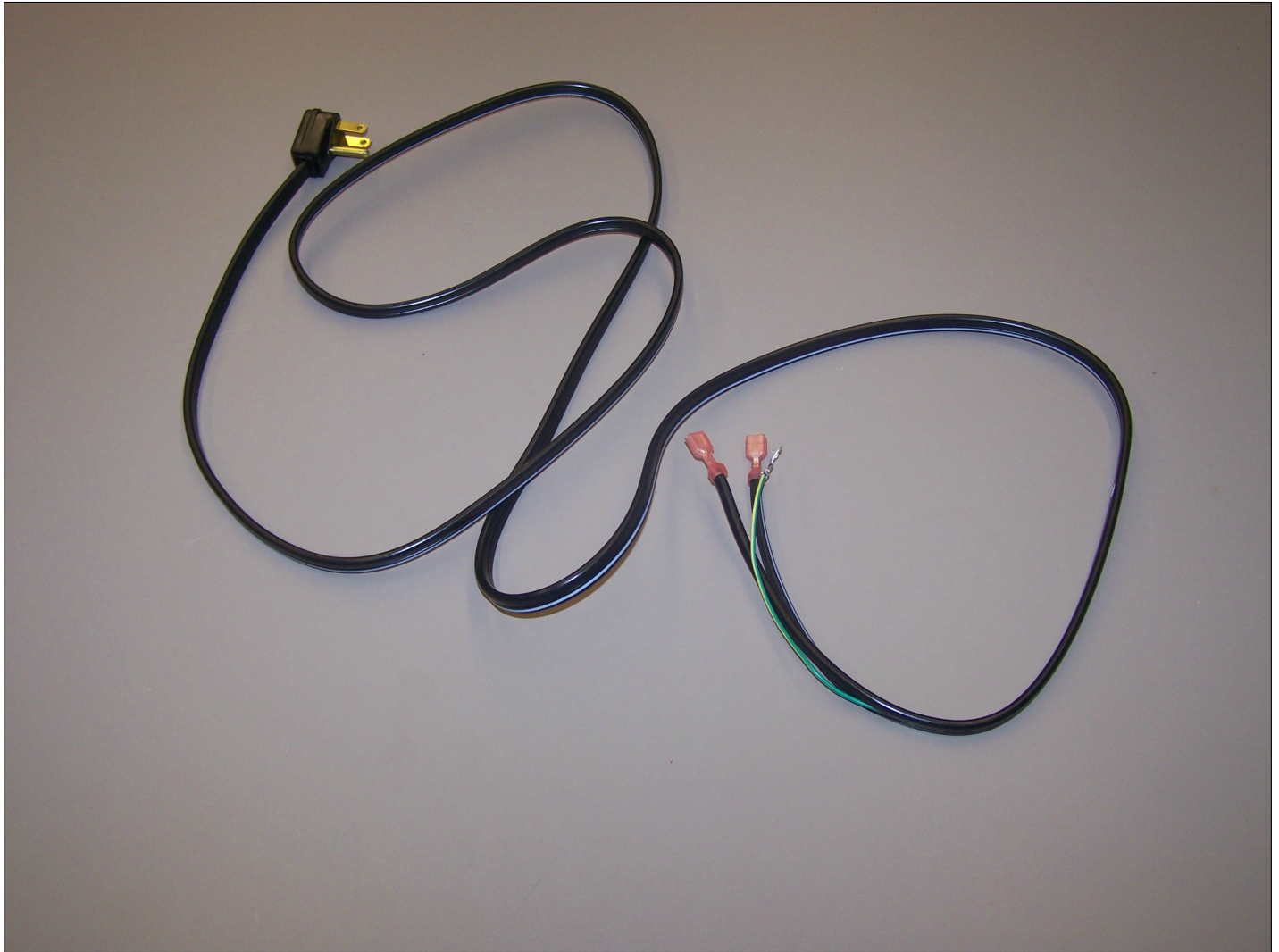


VCRB364JMAG-RSERIES

10916507 POWER CORD	1
CONTROL AREA	2
CONVERTIBLE MEAT SAVER	3
DELI DRAWER	4
DOOR FOAM AREA	5
DOOR SKIN AREA	6
EVAPORATOR AREA	7
LOWER UNIT AREA	8
MC COVER AND UPPER GRILLE AREA	9
PE070785 HIGH VOLT HARNESS	10
PE070877 MACHINE HARNESS	11
PE970464 LOW VOLT HARNESS	12
PE970609 CONTROL BOARD HARNESS	13
PE970641 FAN RESISTOR JUMPER	14
PRODUCE AREA	15
REFRIGERANT SYSTEM	16
REFRIGERATOR COMPARTMENT	17
REFRIGERATOR SHELVING	18
UNIT EXTERIOR	19
UPPER UNIT AREA	20
Appendix A:Pages Index	A
Appendix B:Parts Index	B



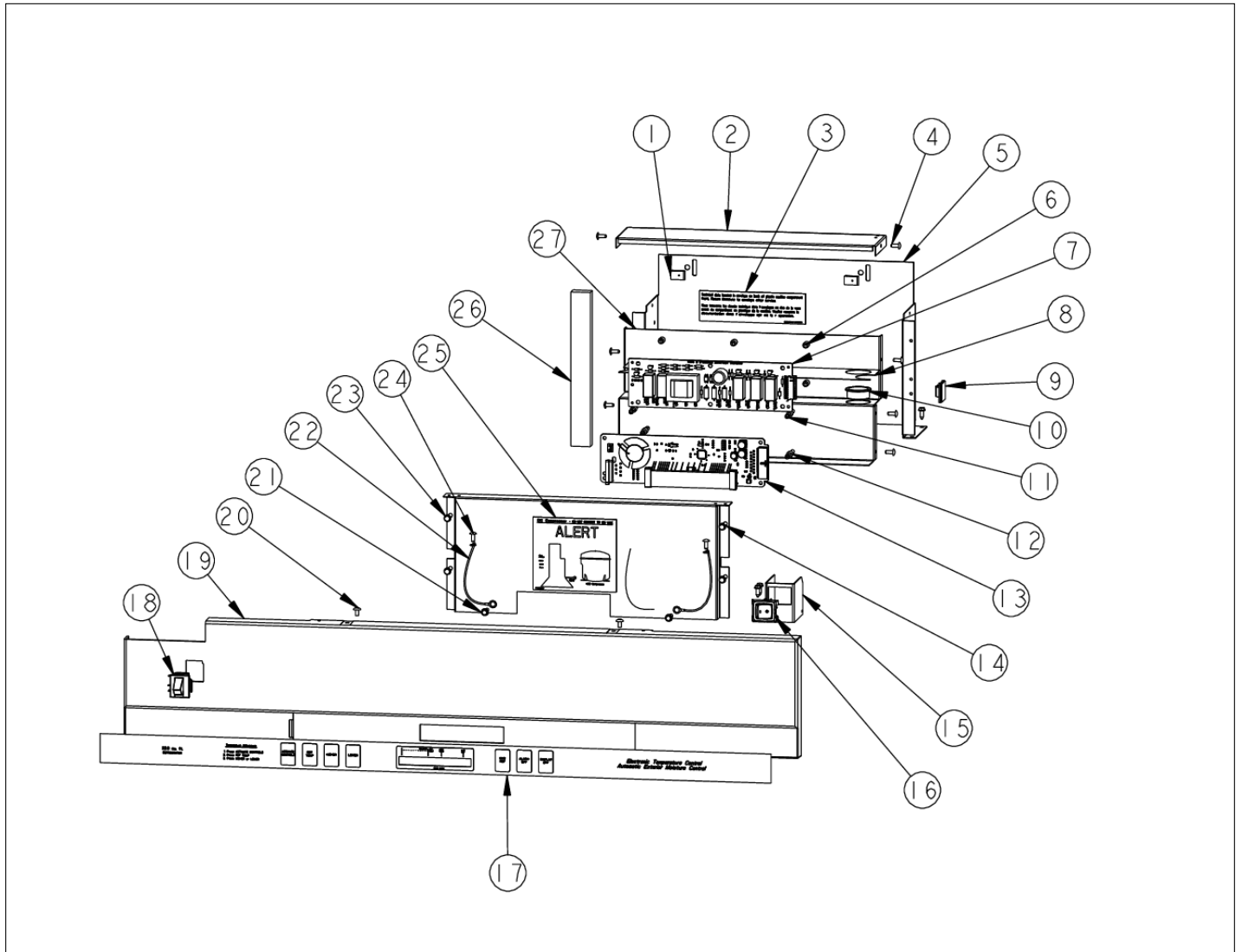
10916507 POWER CORD





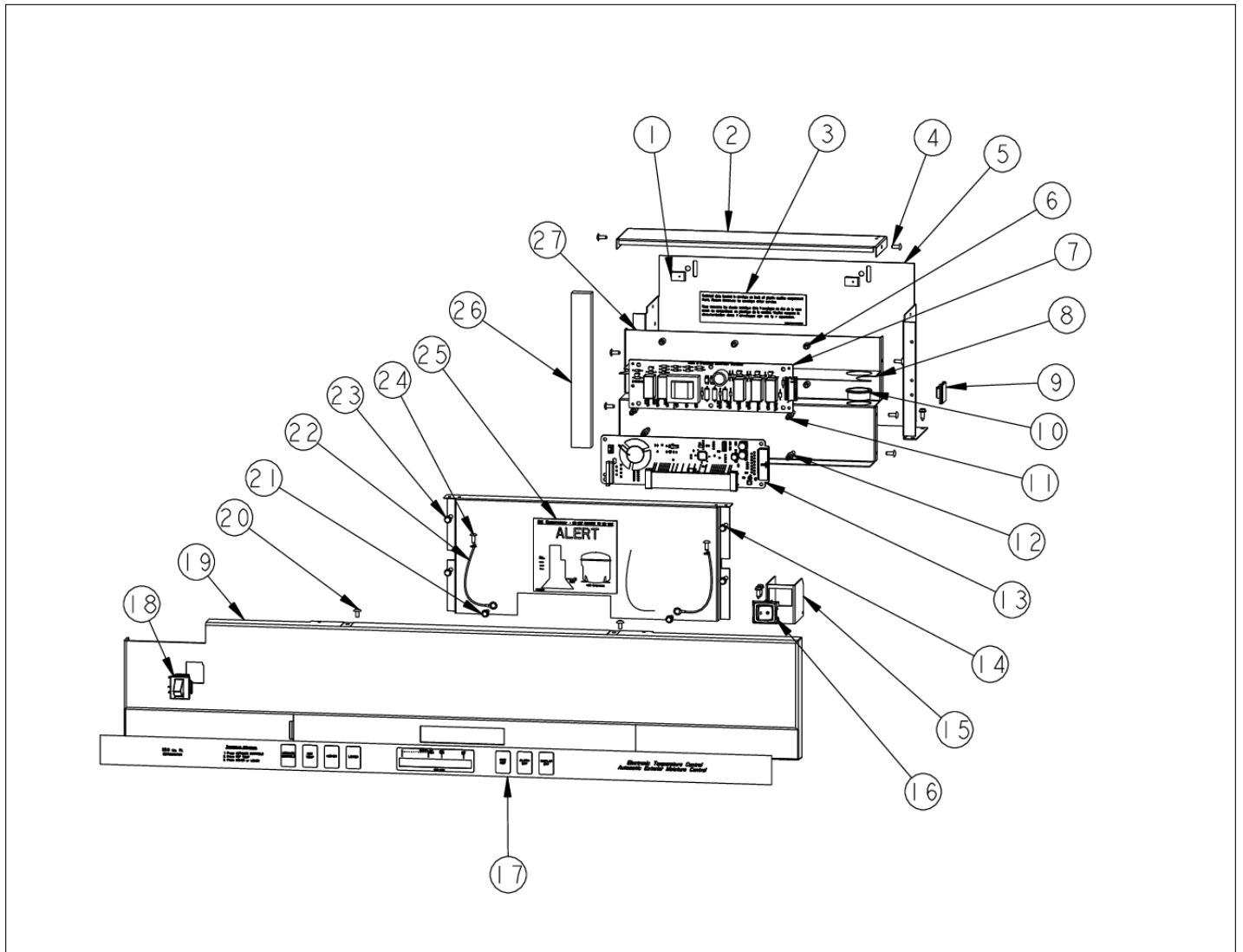
Item	Part No.	Name	Qty	Uom	NOTES
1	10916507	CORD-POWER 5 SERIES	1	EA	

CONTROL AREA





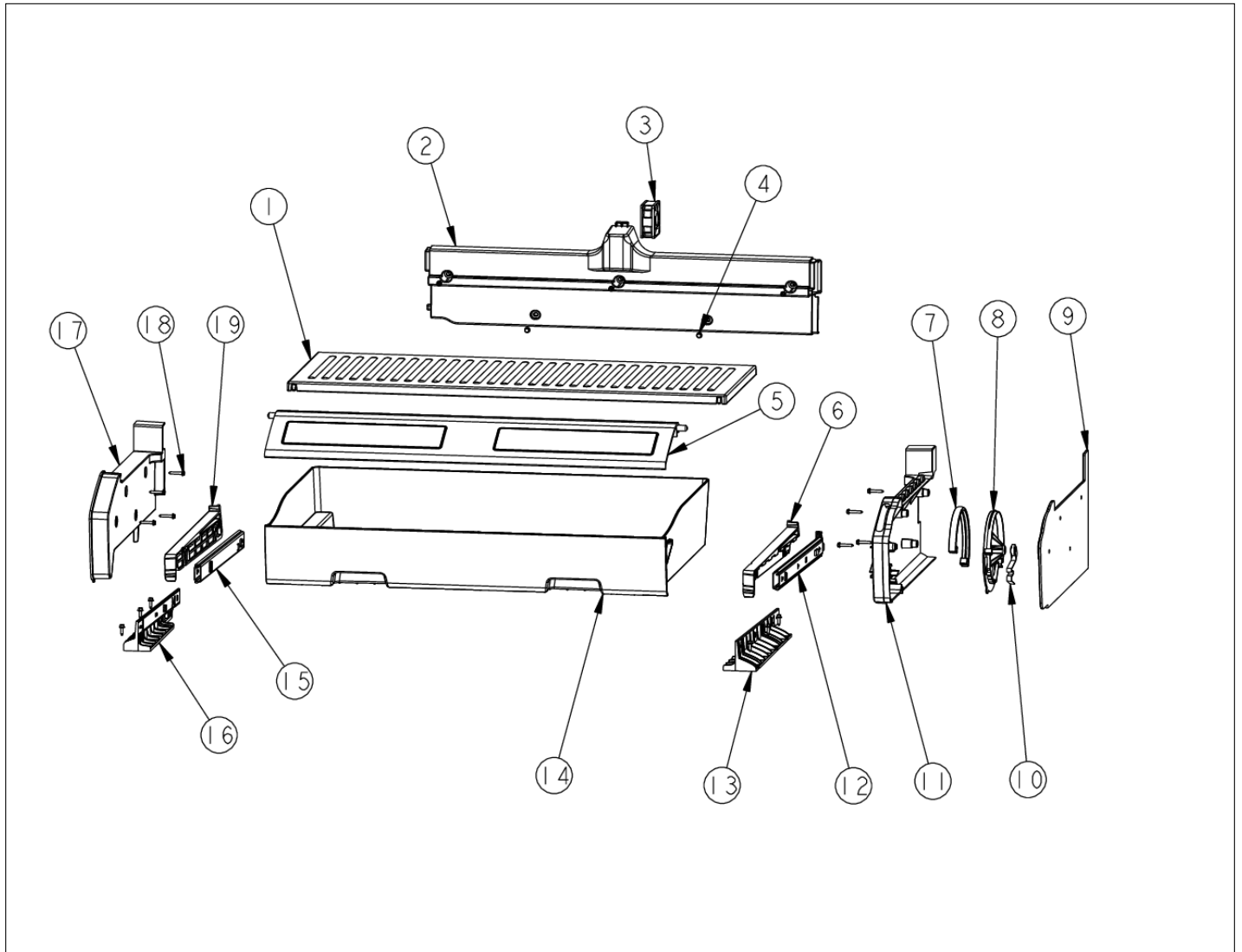
Item	Part No.	Name	Qty	Uom	NOTES
1	M0288120	NUT-SPEED VM0288120	1	EA	
2	K20915000	CONTROL BOX TOP	1	EA	
3	PF930487	TECH LITERATURE LABEL - 2	1	EA	
4	PC040010	POP RIVET (.063/GR -.125) GAMD42-A	1	EA	
5	K2099402	CONTROL BOX	1	EA	
6	M0585504	SUPPORT	1	EA	
7	005319-000	POWER CONTROL BOARD ASM 5 SERIES	1	EA	
<p>Comments for Part Num. 005319-000</p> <p>boltz on Apr 12, 2018 See TR-0056-SP Bulletin</p>					
8	PM910325	FILM, PROTECTIVE	1	EA	
9	M0104106	CLIP-CORD VM0104106	1	EA	
10	A4554817	BUSHING-SNAP VA4554817	1	EA	
11	PD020013	TYPE "AB" #6 X 3/8 PH PAN HD. SMS	1	EA	
12	M0585506	SUPPORT	1	EA	
13	PE070728	BOARD LOW VOLTAGE	1	EA	
<p>Comments for Part Num. PE070728</p> <p>bradleysapplianceservice@shaw.ca on Apr 27, 2016 COULD ALSO USE: 002670-000 LOW VOLTAGE BOARD KIT ANALOG - INCLUDES WIRE HARNESS</p>					
14	K20910061	CONTROL BOX FRONT	1	EA	
15	K2098654	Bracket, Power Switch	1	EA	
16	PE950149	SWITCH POWER	1	EA	
17	PE950181	OVERLAY SWITCH AR 36	1	EA	
18	PE950122	SWITCH	1	EA	
19	PK030459	PANEL CONTROL AR 36 L	1	EA	
Not Shown	PK030458	PANEL CONTROL AR/BM 36 R	1	EA	
20	M0224128	SCREW-SM	1	EA	
21	M0238846	SCREW-SHLDR	1	EA	
22	12064001	SUPP-CONT PANEL	1	EA	





Item	Part No.	Name	Qty	Uom	NOTES
23	PD020194	SCR, HEX SRTD WSHR HD, #8-18 X 1/2	1	EA	
24	PC040010	POP RIVET (.063/GR -.125) GAMD42-A	1	EA	
25	PF930672	LABEL DC COMPRESSOR	1	EA	
26	A3030361	GASKET RED	1	EA	
27	K20910060	BRACKET - PC	1	EA	

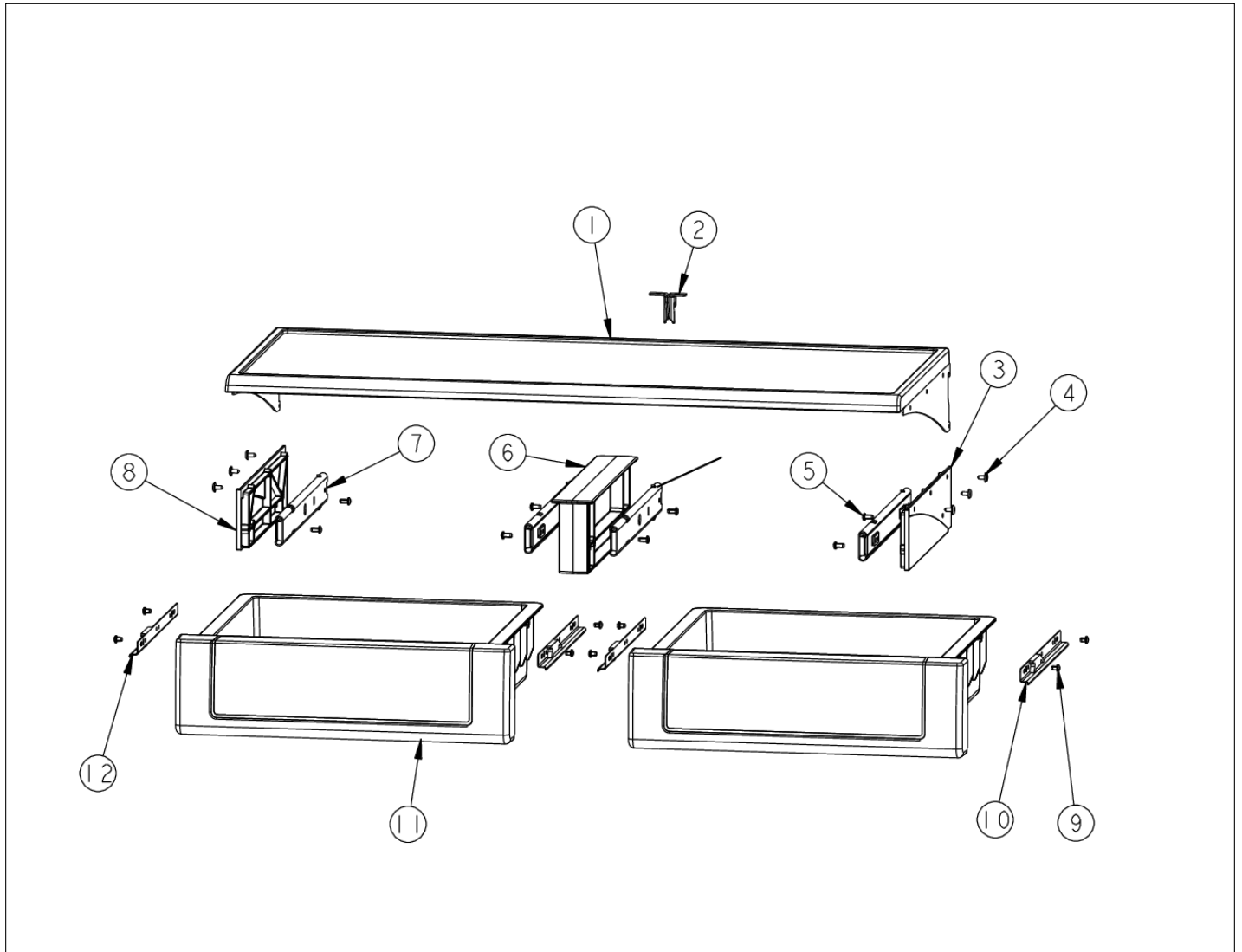
CONVERTIBLE MEAT SAVER





Item	Part No.	Name	Qty	Uom	NOTES
1	PK930286	SHELF MEATSAVOR AR/BM 36	1	EA	
2	PK930285	DUCT MEATSAVOR REAR AR 36	1	EA	
3	004551-000	AXIAL FAN	1	EA	
<p>Comments for Part Num. 004551-000</p> <p>gboltz@VikingRange.com on Jul 21, 2016</p> <p>View service bulletin TR-0052-SP before ordering fan, if applicable order kit instead of fan</p>					
NI	020822-000	FAN RESISTOR KIT	1	EA	
Not Shown	NOTE	(BEFORE SERIAL# 110409R00010145)		EA	
4	PD020195	SCR 8-18 X 5/8	1	EA	
5	044809-000	DOOR MEAT SAVOR ASM AR/BM 36	1	EA	
6	PK930175	SUPPORT DRAWER MEAT SAVOR SXS 42/48 R	1	EA	
7	PK930172	COVER CONTROL MEAT SAVOR	1	EA	
8	044384-000	DIAL CONTROL MEAT SAVOR	1	EA	
9	PK930283	DUCT MEATSAVOR SPACER	1	EA	
10	PM910334	ROLLER TENSION	1	EA	
11	044232-000	DUCT MEAT SAVOR (R)	1	EA	
12	PM910287	SLIDE MEAT SAVOR R	1	EA	
13	PK930173	SUPPORT SLIDE MEAT SAVOR SXS 42/48 R	1	EA	
14	PK930278	DRAWER MEAT SAVOR AR BM 36	1	EA	
15	PM910288	SLIDE MEAT SAVOR L	1	EA	
<p>Comments for Part Num. PM910288</p> <p>profixappliances@gmail.com on May 3, 2017</p> <p>ITEM # 5 SHOULD BE PK930288-DOOR MEATSAVOR ASM AR/BM 36</p>					
16	PK930174	SUPPORT SLIDE MEAT SAVOR SXS 42/48 L	1	EA	
17	PK930284	DUCT MEATSAVOR LEFT	1	EA	
18	M0211021	SCREW-SM	1	EA	
19	PK930176	SUPPORT DRAWER MEAT SAVOR 42/48 L	1	EA	

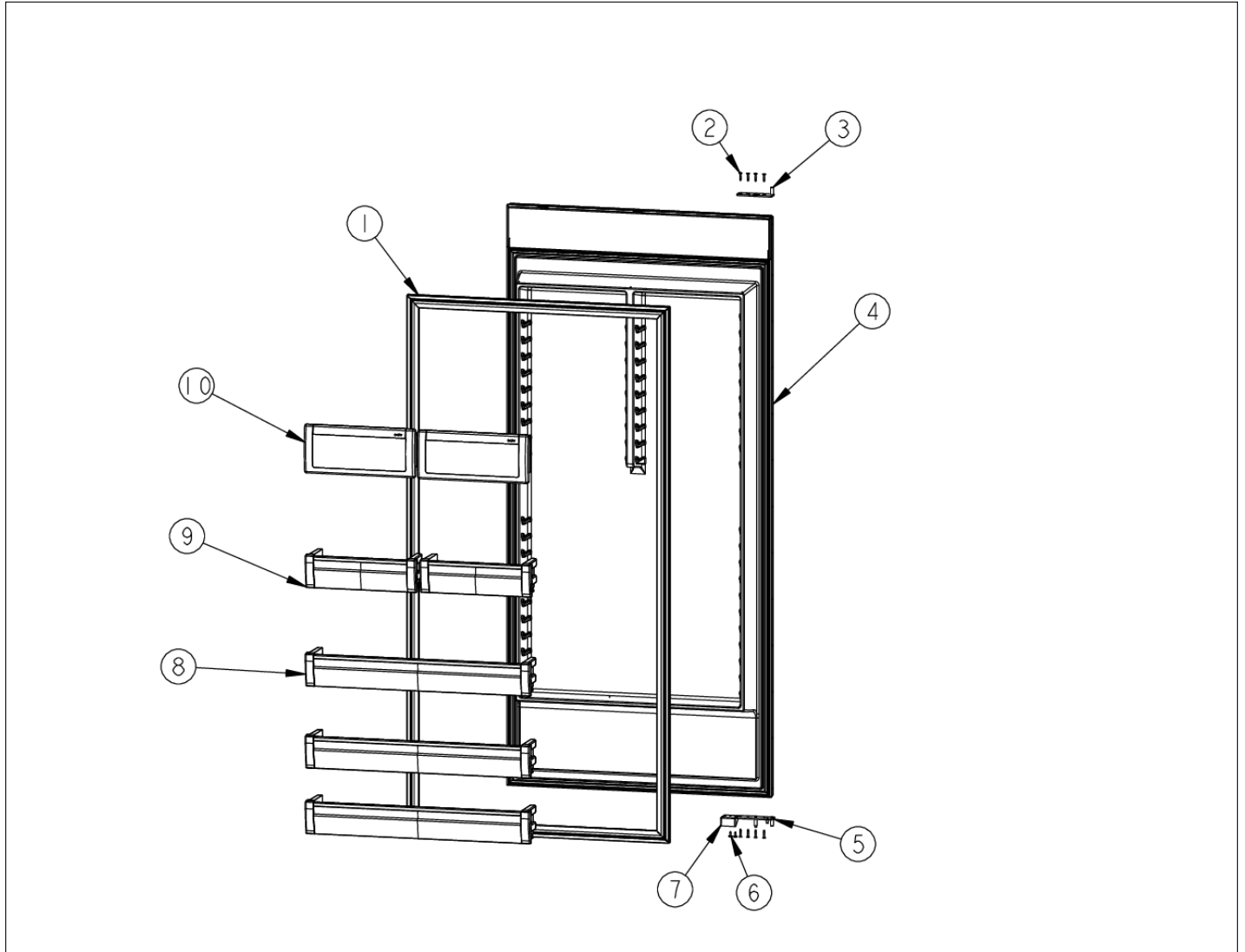
DELI DRAWER





Item	Part No.	Name	Qty	Uom	NOTES
1	043203-000	SHELF ASM GLASS 36 AR 36 BM	1	EA	
2	120467	CRISPER RAIL ATTACHMENT	1	EA	Not available online / Call for pricing and availability
3	044214-000	SUPPORT SLIDER R	1	EA	
4	PD020032	SRW-8(A)X3/8"PH.WFR HD 7/16DIA*NICL	1	EA	
5	PD920161	SCR 8-16 PLASTITE PNP 3/8 S	1	EA	
6	PK030439	GLIDE CENTER SUPPORT	1	EA	
7	046235-000	SLIDE, DWR, SOFT CLOSE-RH	2	EA	
8	044219-000	SUPPORT SLIDER L	1	EA	
9	PD920162	SCR 8-16 PLASTITE PNP 1/4 S	1	EA	
10	PM910343	RAIL DRAWER R	1	EA	
11	PK930289	DRAWER DELI ASM AR 36	2	EA	
12	PM910342	RAIL DRAWER L	1	EA	
13	046255-000	SLIDE, DWR, SOFT CLOSE, LH	2	EA	

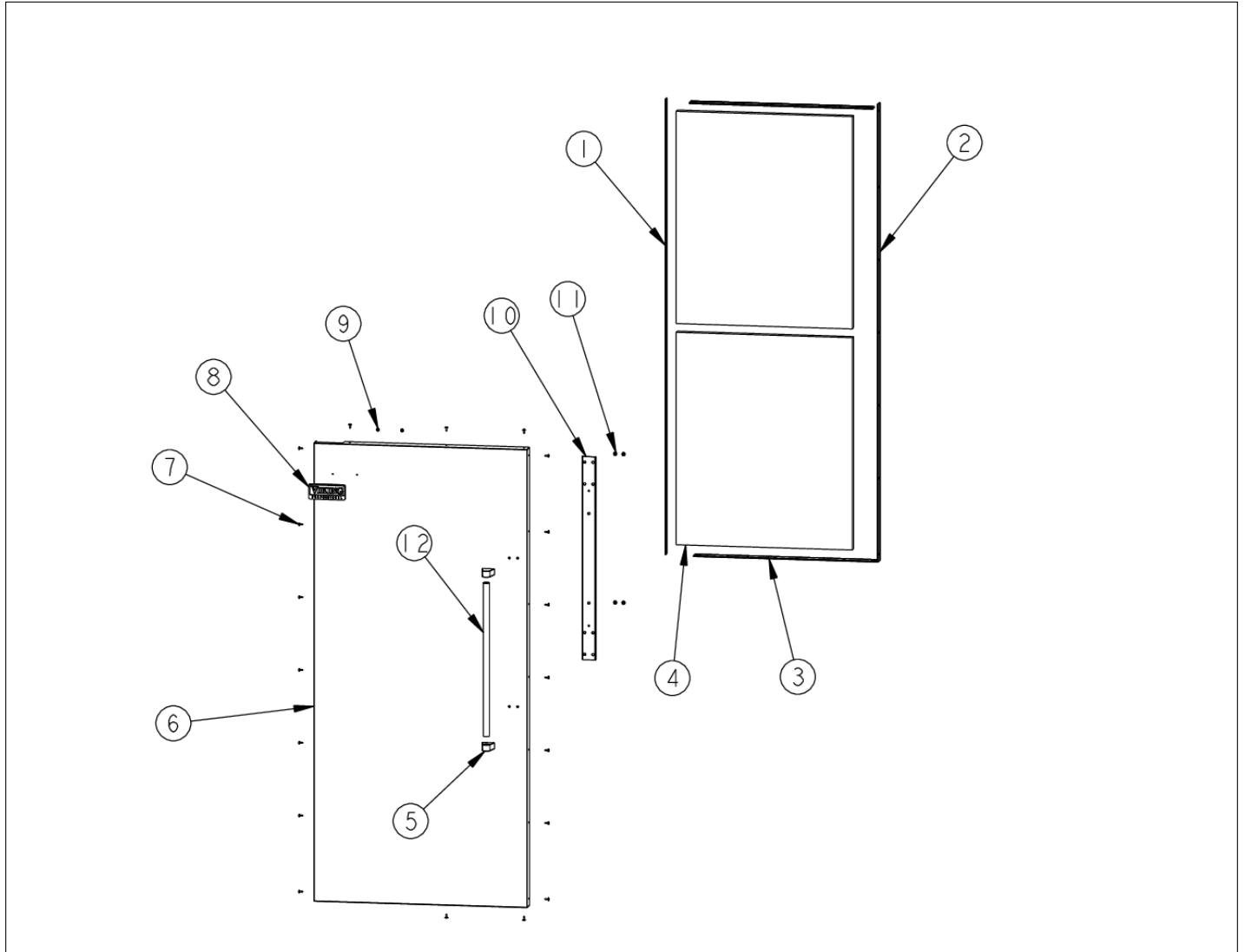
DOOR FOAM AREA





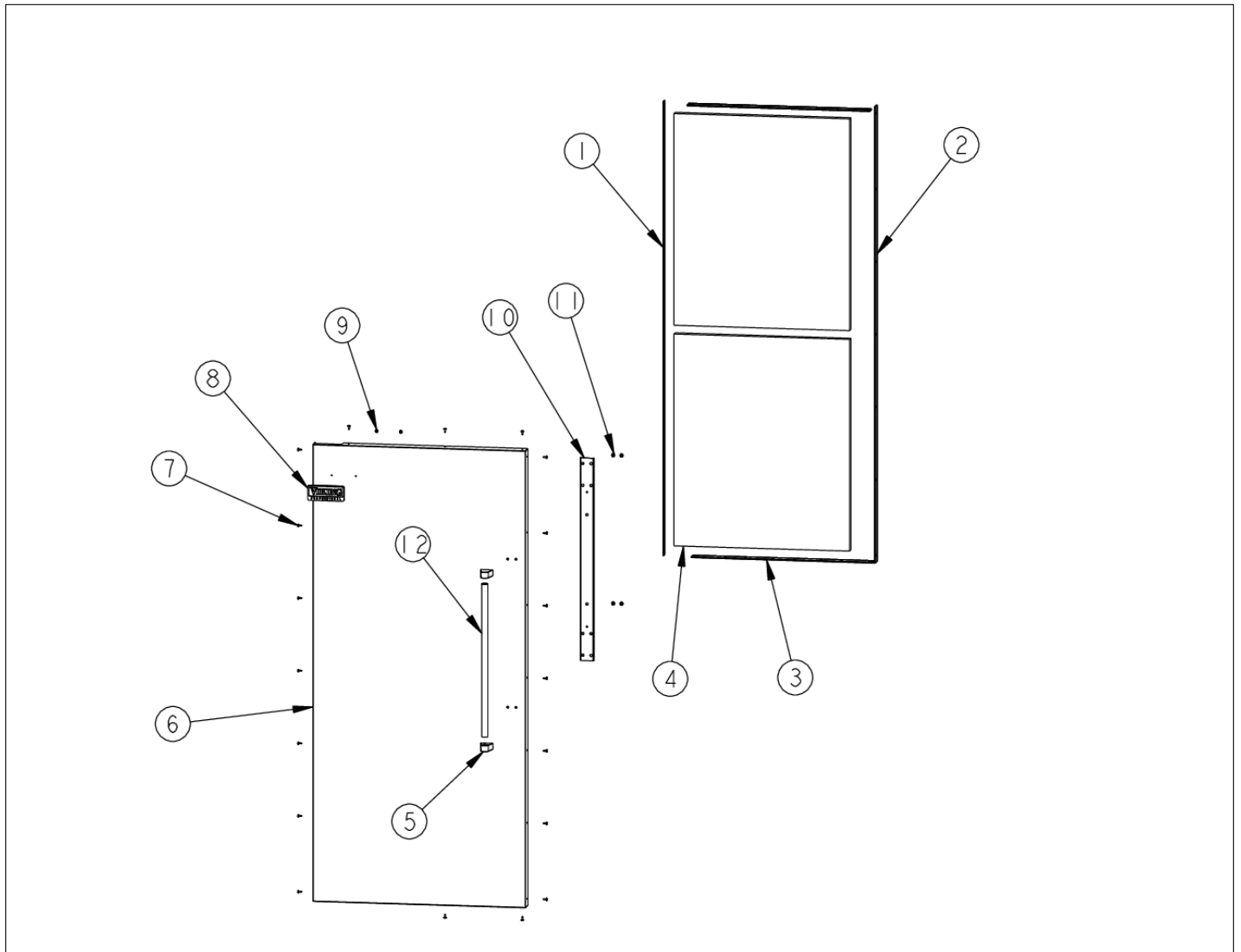
Item	Part No.	Name	Qty	Uom	NOTES
1	001956-000	SERV GASKET FACE CHARGE	1	EA	
Not Shown	NOTE	(BEFORE 06-10-08)		EA	
1	005447-000	GASKET,ASM,36,AFAR VID# 602711127-17	1	EA	
Not Shown	NOTE	(ON OR AFTER 06-10-08)		EA	
2	PD920174	10-32 TORX HEAD SCREW		EA	
3	PC020279	PIVOT PL ASM LH UP PRO/DES		EA	
Not Shown	PC020278	PIVOT PL ASM RH UP PRO/DES		EA	
4	G32915043	DOOR ASM AR 36 - NLA		EA	
Not Shown	NOTE	(BEFORE 06/03/08)		EA	
4	007391-000	DOOR ASM AR 36 (INCLUDES GASKET)	1	EA	
Not Shown	NOTE	(ON OR AFTER 06/03/08)		EA	
5	016182-000	PIVOT PL ASM LH LW PRO/DES		EA	
PC020276	016181-000	PIVOT PL ASM RH LW PRO/DES		EA	
6	001617-000	SPACER,NYL,PIVOT PLATE		EA	
7	PD050019	STRIKER DOOR SWITCH		EA	
8	036884-000	DOORBIN ASM FF 36 FULL		EA	
9	036882-000	DOORBIN ASM FF 36 HALF		EA	
10	V12097404	Dairy Module Asm (BM)		EA	

DOOR SKIN AREA



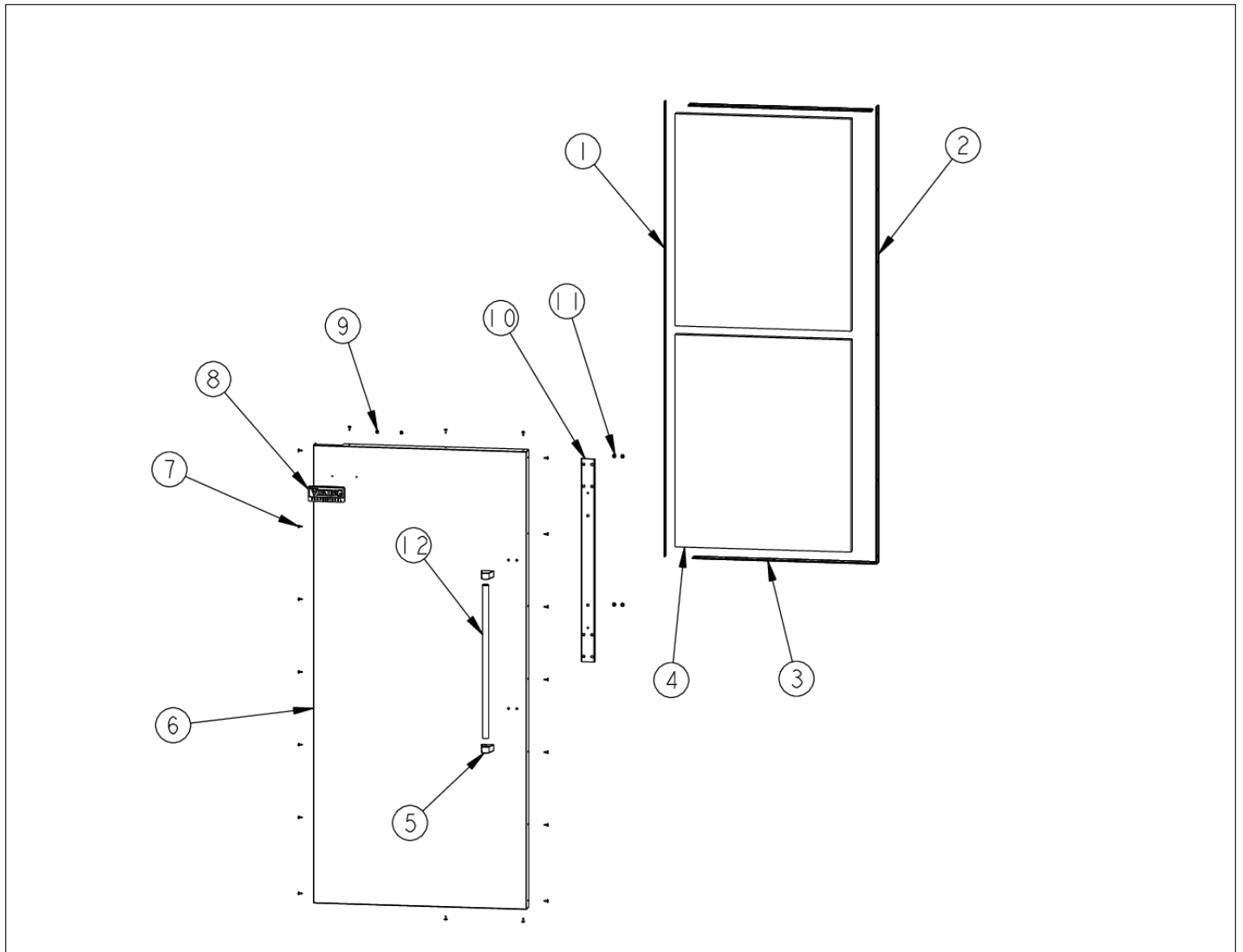


Item	Part No.	Name	Qty	Uom	NOTES
1	014581-000	SPACER,TRIM,SXS,AF,AR	1	EA	
2	PE940176	Door Trim - Side	1	EA	
3	056845-000	TRIM, TOP/BTM, 30	1	EA	
4	000755-000	BLOCK,EPS REF DOOR 36 AF AR PRO	1	EA	NO LONGER AVAILABLE
5	000268-000	HANDLE ENDCAP	1	EA	
Not Shown	PE030001PVD	END CAP DOOR HANDLE *BR	1	EA	
6	B20915620	SKIN DOOR AF AR 36 PRO L	1	EA	
Not Shown	C90915620AL	SKIN DOOR AF AR 36 PRO L	1	EA	NO LONGER AVAILABLE, Not available online / Call for pricing and availability
Not Shown	C90915620BK	SKIN DOOR AF AR 36 PRO L	1	EA	NO LONGER AVAILABLE
Not Shown	C90915620BT	SKIN DOOR AF AR 36 PRO L	1	EA	NO LONGER AVAILABLE, Not available online / Call for pricing and availability
Not Shown	C90915620BU	SKIN DOOR AF AR 36 PRO L	1	EA	NO LONGER AVAILABLE
Not Shown	C90915620CB	SKIN DOOR AF AR 36 PRO L	1	EA	NO LONGER AVAILABLE
Not Shown	C90915620EP	SKIN DOOR AF AR 36 PRO L	1	EA	NO LONGER AVAILABLE, Not available online / Call for pricing and availability
Not Shown	C90915620FG	SKIN DOOR AF AR 36 PRO L	1	EA	NO LONGER AVAILABLE, Not available online / Call for pricing and availability
Not Shown	C90915620GG	SKIN DOOR AF AR 36 PRO L	1	EA	NO LONGER AVAILABLE, Not available online / Call for pricing and availability
Not Shown	C90915620LE	SKIN DOOR AF AR 36 PRO L	1	EA	NO LONGER AVAILABLE, Not available online / Call for pricing and availability





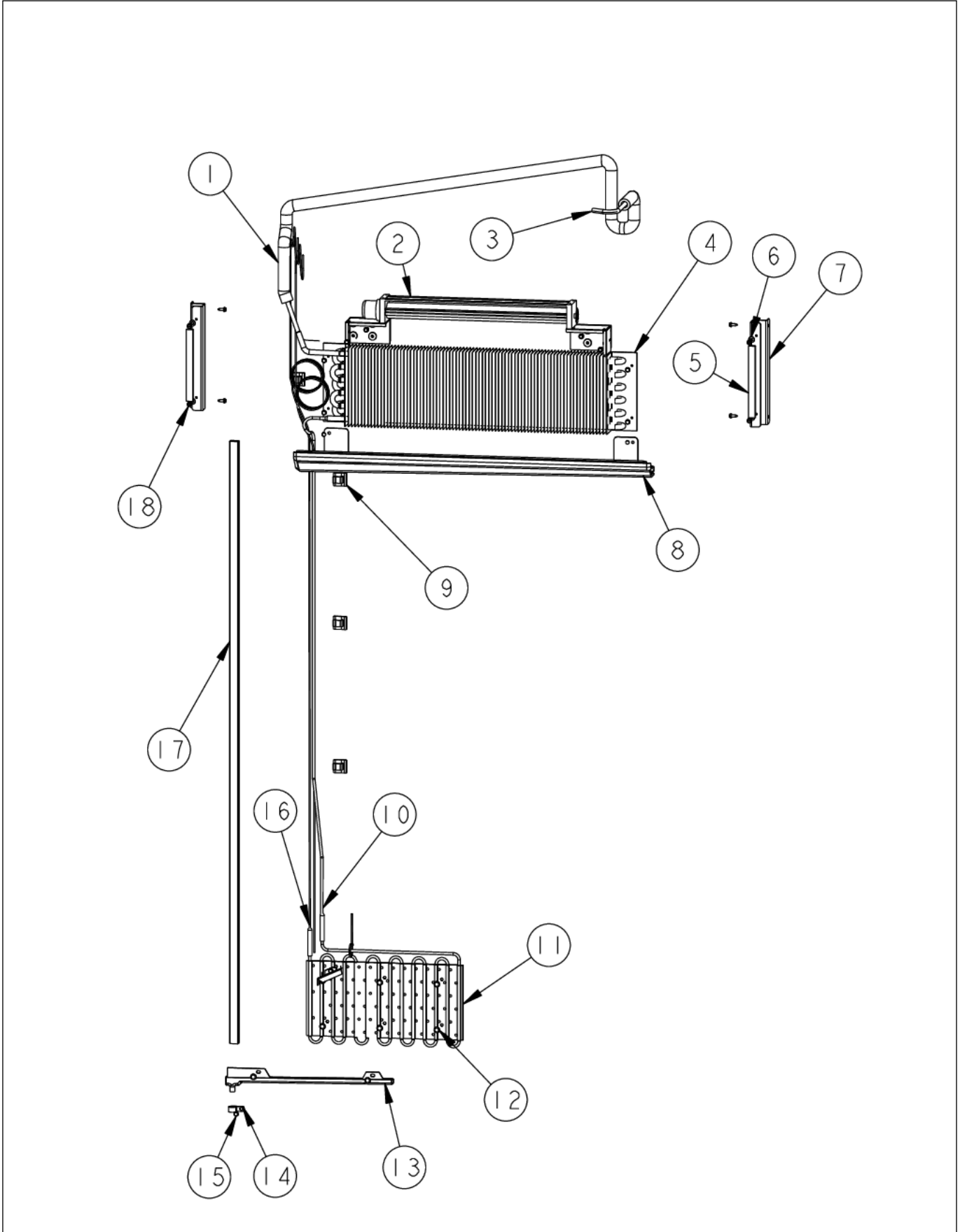
Item	Part No.	Name	Qty	Uom	NOTES
Not Shown	C90915620MJ	SKIN DOOR AF AR 36 PRO L	1	EA	NO LONGER AVAILABLE, Not available online / Call for pricing and availability
Not Shown	C90915620SG	SKIN DOOR AF AR 36 PRO L	1	EA	NO LONGER AVAILABLE, Not available online / Call for pricing and availability
Not Shown	C90915620VB	SKIN DOOR AF AR 36 PRO L	1	EA	NO LONGER AVAILABLE, Not available online / Call for pricing and availability
Not Shown	L20915620WH	SKIN DOOR AF AR 36 PRO L	1	EA	NO LONGER AVAILABLE, Not available online / Call for pricing and availability
Not Shown	B20915622	SKIN DOOR AF AR 36 PRO R	1	EA	
Not Shown	C90915622AL	SKIN DOOR AF AR 36 PRO R	1	EA	NO LONGER AVAILABLE, Not available online / Call for pricing and availability
Not Shown	C90915622BK	SKIN DOOR AF AR 36 PRO R	1	EA	NO LONGER AVAILABLE
Not Shown	C90915622BT	SKIN DOOR AF AR 36 PRO R	1	EA	NO LONGER AVAILABLE
Not Shown	C90915622BU	SKIN DOOR AF AR 36 PRO R	1	EA	Not available online / Call for pricing and availability
Not Shown	C90915622CB	SKIN DOOR AF AR 36 PRO R	1	EA	NO LONGER AVAILABLE
Not Shown	C90915622EP	SKIN DOOR AF AR 36 PRO R	1	EA	NO LONGER AVAILABLE, Not available online / Call for pricing and availability
Not Shown	C90915622FG	SKIN DOOR AF AR 36 PRO R	1	EA	NO LONGER AVAILABLE, Not available online / Call for pricing and availability
Not Shown	C90915622GG	SKIN DOOR AF AR 36 PRO R	1	EA	NO LONGER AVAILABLE





Item	Part No.	Name	Qty	Uom	NOTES
Not Shown	C90915622LE	SKIN DOOR AF AR 36 PRO R	1	EA	NO LONGER AVAILABLE, Not available online / Call for pricing and availability
Not Shown	C90915622MJ	SKIN DOOR AF AR 36 PRO R	1	EA	NO LONGER AVAILABLE, Not available online / Call for pricing and availability
Not Shown	C90915622SG	SKIN DOOR AF AR 36 PRO R	1	EA	NO LONGER AVAILABLE
Not Shown	C90915622VB	SKIN DOOR AF AR 36 PRO R	1	EA	NO LONGER AVAILABLE, Not available online / Call for pricing and availability
Not Shown	L20915622WH	SKIN DOOR AF AR 36 PRO R	1	EA	NO LONGER AVAILABLE, Not available online / Call for pricing and availability
7	M0210458	SCREW-SM	1	EA	
8	PE010030	LOGO	1	EA	
Not Shown	PE010068	LOGO 6" (VGRC) BK/BR	1	EA	
Not Shown	PE010031	LOGO 6" (VGRC) *BK/WH*	1	EA	NO LONGER AVAILABLE
Not Shown	PE010076	LOGO 6" (VGRC) *BR/WH*	1	EA	NO LONGER AVAILABLE
9	PD030006	CAPPED WASHER PAL NUT	1	EA	
10	K2097596	EVAP COVER - TOP	1	EA	
11	M0204303	SCREW-MACH	1	EA	
12	PE930101	VCSB482 HANDLE -(12466403)	1	EA	
Not Shown	PE030173PVD	BRASS HANDLE	1	EA	Not available online / Call for pricing and availability

EVAPORATOR AREA





Item	Part No.	Name	Qty	Uom	NOTES
1	PB970187	INSULATION TUBING 57.500 WC, 5 SERIES	1	EA	
2	G50914135	ASM FAN MOUNTING AR 36	1	EA	
3	F20911126	TUBE SUCTION AR 30	1	EA	
4	PM910455	EVAPORATOR AR 36	1	EA	
5	PB070288	1/4" X 1/2" CLOSED CELL SPONGE	1	EA	
6	PD040150	WASHER FLAT NYLON #10	1	EA	
7	K20914102	K20914102	1	EA	
8	G50914189	DRAIN PAN ASM UPPER AR36	1	EA	
9	M0104106	CLIP-CORD VM0104106	1	EA	
10	F20913720	TUBE EVAP AR 36	1	EA	
11	049987-000	MS HEAT EXCH ASM AR 36 30	1	EA	

Comments for Part Num. 049987-000

bradleysapplianceservice@shaw.ca on Sep 22, 2017

SUBS TO: 049987-000 HEAT EXCHANGER AR 30" / 36"

crystal@knservice.com on Sep 22, 2017

This new aluminum h/e melts where it meets the copper tip when welding during a repair. Any recommendations to prevent this?

Reply by corcoran1@cox.net on Dec 21, 2017

Try heat sink and wrap it in wet towel, use oxy-acetylene torch as opposed to map gas

Reply by bradleysapplianceservice@shaw.ca on Jun 5, 2018

Yes, we have used heat paste but wet rags torn into thin strips works just as good and readily available.

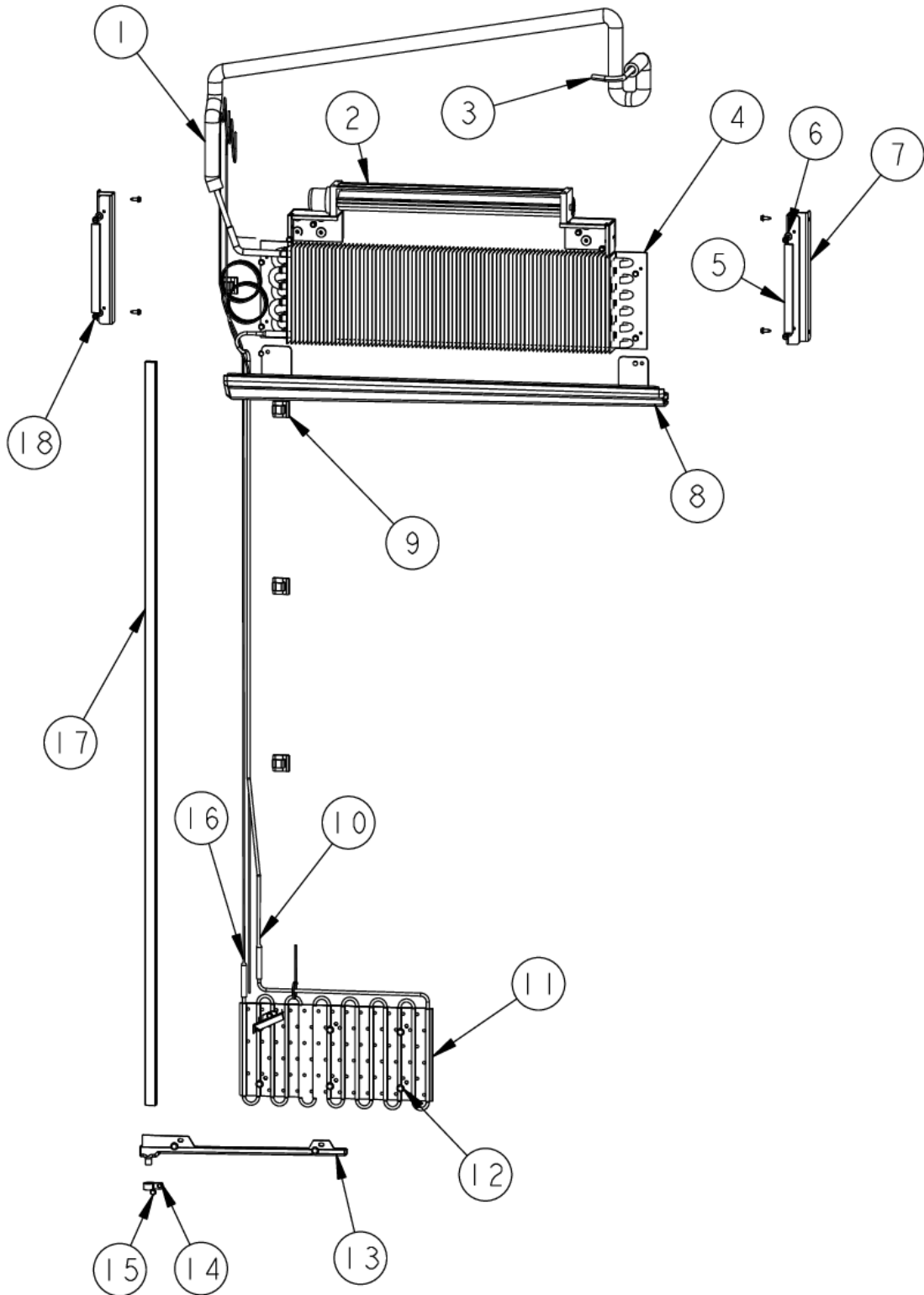
Reply by tim@tnrappliance.com on Dec 20, 2018

this new aluminum is crap can barely heat it and the copper tip comes off. i now get to redo the job when i get another heat exchanger. has anyone used an epoxy to set the tubes.

bradleysapplianceservice@shaw.ca on Jun 5, 2018

Use caution when brazing, must use heat sink to avoid melting the aluminum. Use heat paste or wet rags. Also be sure check ports before installing. We have had a plugged port from factory when they installed the copper ends they closed off the port internally. Can't be seen easily so use nitrogen to blow through ports to be sure they are not plugged. It would have been nice to see at least 3 more inches of copper on the ends. It's easier to cut the above tubing to size than deal with these stubby copper ports.

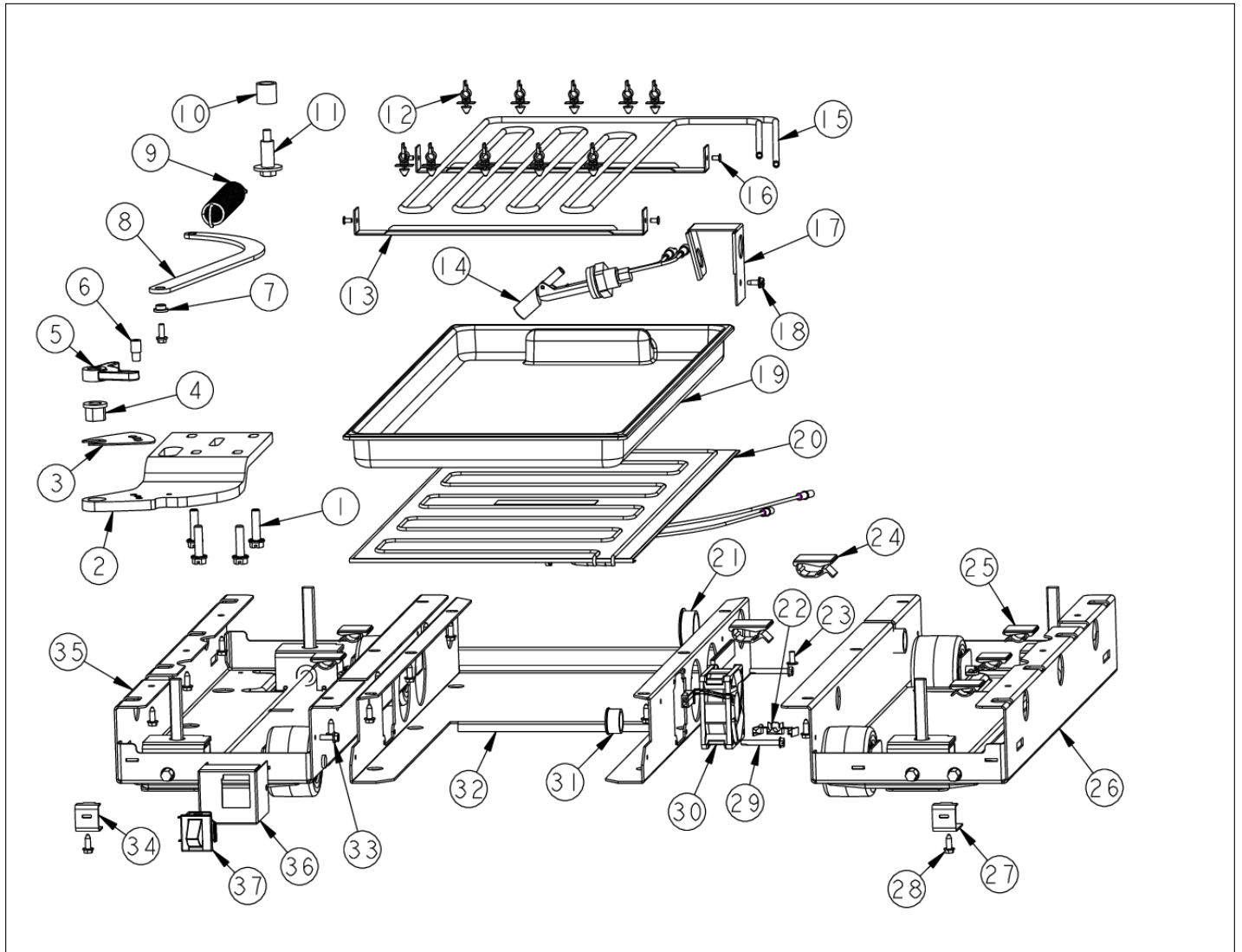
12	PD020032	SRW-8(A)X3/8"PH.WFR HD 7/16DIA*NICL	1	EA	
13	PK030445	PAN DRAIN LOWER EVAP AR 30 36	1	EA	
14	PD030148	CLAMP CABLE ALUMINUM .500 DIA.	1	EA	





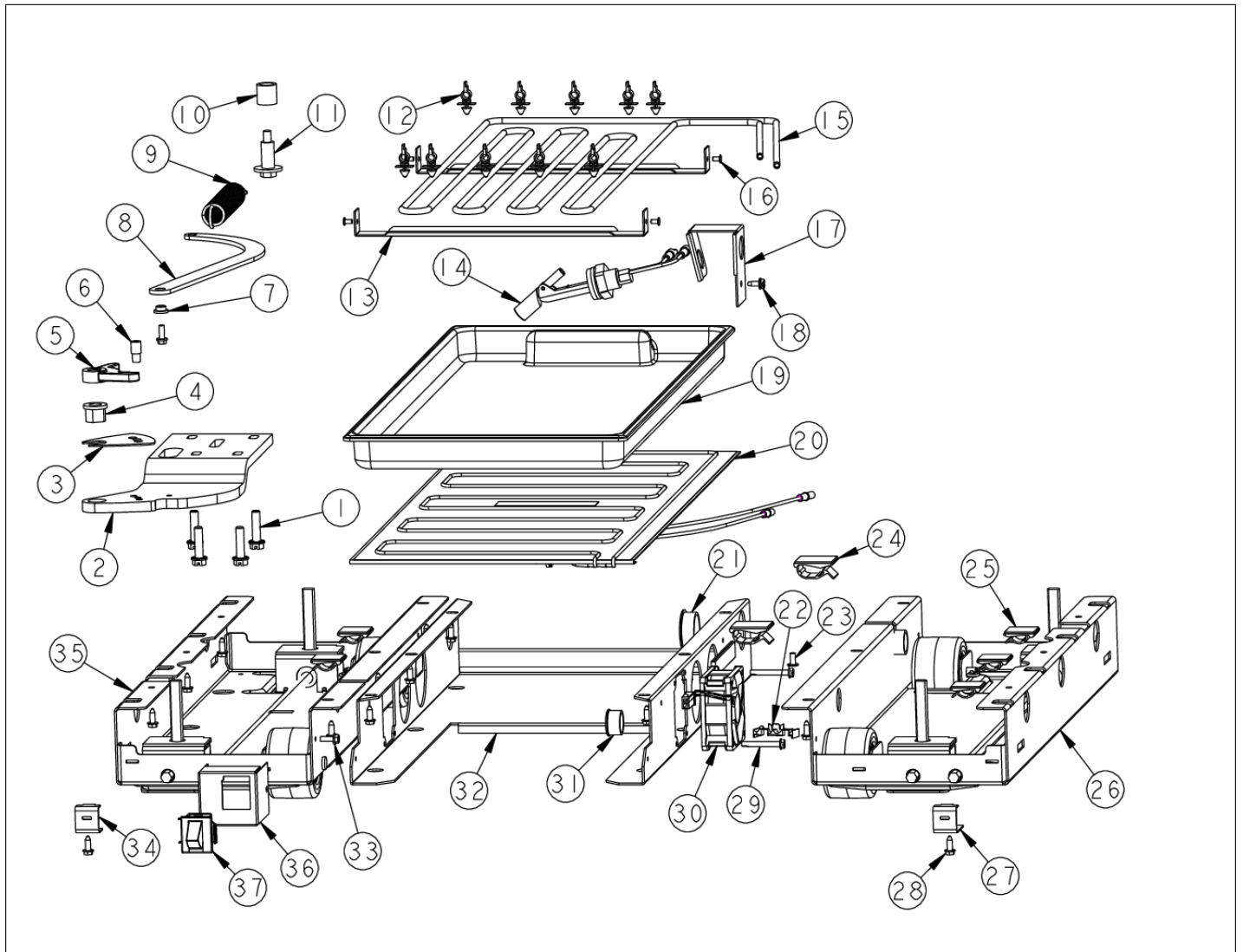
Item	Part No.	Name	Qty	Uom	NOTES
15	PD020194	SCR, HEX SRTD WSHR HD, #8-18 X 1/2	1	EA	
16	PB920246	TUBE CAPILLARY ASM AR 36 30	1	EA	
17	PK030446	DRAIN VERTICAL AR 30 36	1	EA	
18	PD020238	SCR WH HEX WSHR HD SLTD #8-18 X 1/2	1	EA	

LOWER UNIT AREA





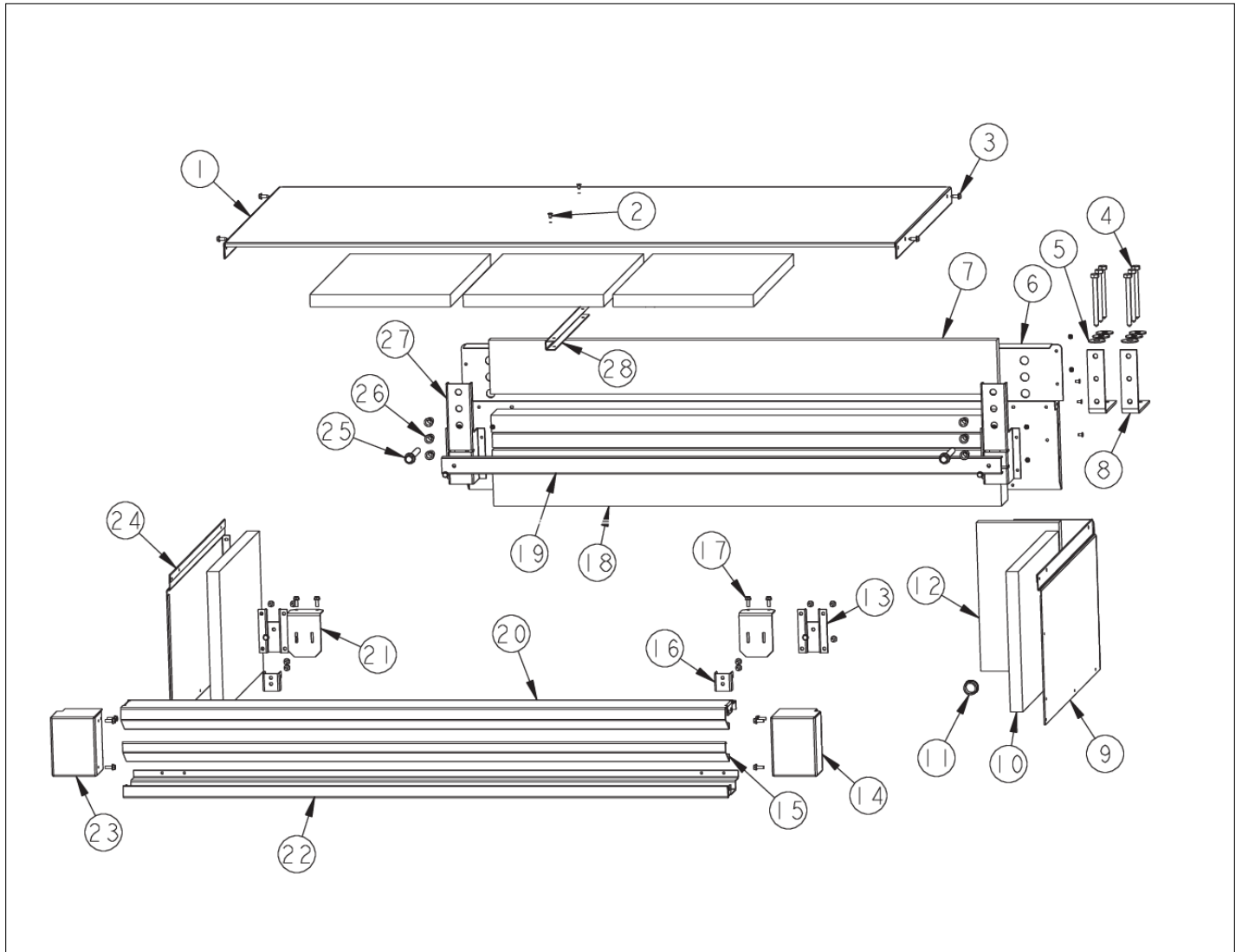
Item	Part No.	Name	Qty	Uom	NOTES
1	000570-000	FASTENER, BOLT, 1/4-20 IHXWS 1" S ZN SER	1	EA	
2	PC020289	HINGE PLATE LL	1	EA	
PC92021 5	PC020288	HINGE PLATE LR	1	EA	
3	PC920144	PLATE - WC DOOR SHIM	1	EA	
4	PD940090	BUSHING - WC DOOR LEVEL	1	EA	
5	PD940091	BUSHING - DOOR STOP	1	EA	
6	PC920145	PIN - DOOR STOP	1	EA	
7	PD940094	BUSHING	1	EA	
8	PC920149	BAR-WC BOT HINGE LH	1	EA	
Not Shown	PC920166	HINGE ASM COMPLETE RR	1	EA	
9	PC910015	SPRING EXTENSION	1	EA	
10	PD940107	ROUND SPRING SPACER	1	EA	
11	M0221523	SCREW - SHLDR	1	EA	
12	PD030146	STAND OFF LOCK CLIP	1	EA	
13	K20911831	BRACKET CONDENSATE SUPPORT	1	EA	
14	PE050248	FLOAT SWITCH HORIZONTAL	1	EA	
15	F20915696	SERPENTINE CONDENSER DRAIN	1	EA	
16	PC040010	POP RIVET (.063/GR -.125) GAMD42-A	1	EA	
17	B20915627	BRACKET HORIZ FLOAT SWITCH	1	EA	
18	M0253916	SCR 8-32 SHXW 3/8 TRI-LOBE	1	EA	
19	PK930348	PAN DRAIN	1	EA	
20	G50911853	TRAY PAN HEATER	1	EA	
21	A4554817	BUSHING-SNAP VA4554817	1	EA	
22	M0327801	TAP-ELECTRO	1	EA	
23	PD020010	10 X 3/8 GREEN GROUNDING SCREW	1	EA	
24	M0104102	CLIP-CORD RED	1	EA	
25	M0104106	CLIP-CORD VM0104106	1	EA	
26	060890-000	LEVELER MODULE R	1	EA	
27	K2098044	BRKT GRILLE SUPPORT	1	EA	





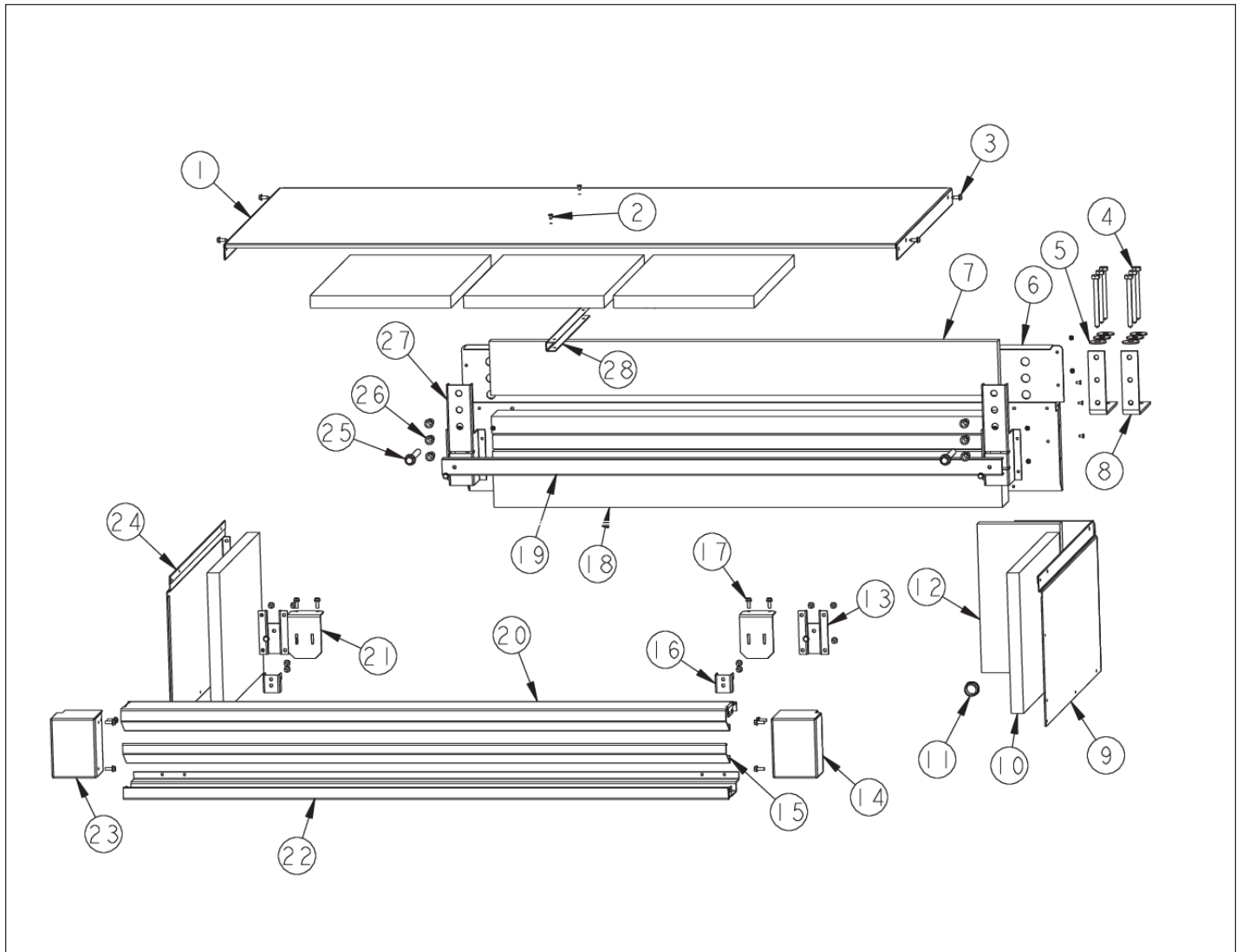
Item	Part No.	Name	Qty	Uom	NOTES
28	PD020194	SCR, HEX SRTD WSHR HD, #8-18 X 1/2	1	EA	
29	PD020274	SCR SLTD HEX WSHR HD 8X1.250 BT	1	EA	
30	004551-000	AXIAL FAN	1	EA	
<p>Comments for Part Num. 004551-000</p> <p>gboltz@VikingRange.com on Jul 21, 2016</p> <p>View service bulletin TR-0052-SP before ordering fan, if applicable order kit instead of fan</p>					
31	A4554806	BUSHING-SNAP VA4554806	1	EA	
32	K20915952	SHIELD BOTTOM DRAIN	1	EA	
33	M0220417	SCREW-TC	1	EA	
34	K2098096	BRKT GRILLE SUPPORT	1	EA	
35	060891-000	LEVELER MODULE L	1	EA	
36	002668-000	SWITCH,GRILLE,MT,LH	1	EA	
Not Shown	002667-000	SWITCH,GRILLE,MT,RH	1	EA	
37	PE950147	SWITCH SPST NC BLACK	1	EA	
<p>Comments for Part Num. PE950147</p> <p>bradleysapplianceservice@shaw.ca on May 1, 2017</p> <p>CAUTION WHEN ORDERING DOOR SWITCH. PARTS LISTINGS COULD BE INCORRECT.</p> <p>THERE IS TWO VERSIONS OF THIS DOOR SWITCH THAT NEEDS TO BE VISUALLY CHECKED ON UNIT TO DETERMINE CORRECT PART.</p> <p>PE950146 DOOR SWITCH 3 WIRE SPDT BLACK</p> <p>PE950147 DOOR SWITCH 2 WIRE SPST BLACK</p>					
NI	PK930424	VALVE POP UP ASM	1	EA	

MC COVER AND UPPER GRILLE AREA





Item	Part No.	Name	Qty	Uom	NOTES
1	K2099931	MC TOP 36	1	EA	
2	PC040010	POP RIVET (.063/GR -.125) GAMD42-A	1	EA	
3	PD020194	SCR, HEX SRTD WSHR HD, #8- 18 X 1/2	1	EA	
4	M0223509	SCREW-LAG	1	EA	
5	M0270510	WASHER #	1	EA	
6	K2099933	MC BACK 36	1	EA	
7	PB070358	INSULATION MC COVER	1	EA	
8	PK910089	BRACKET, ANTI - TIP	1	EA	
9	K2099459	MC SIDE (RIGHT)	1	EA	
10	PB070355	INSULATION MC COVER	1	EA	
11	A4554806	BUSHING-SNAP VA4554806	1	EA	
12	PB970171	MC INSULATION - BACK SIDE	1	EA	Not available online / Call for pricing and availability
13	PK050004	BRACKET GRILLE 5 SERIES	1	EA	
14	B20911818	GRILL ENDCAP PRO L/R NON- HINGE	1	EA	
15	B20911392	GRILLE LOUVER MID 36 PRO	1	EA	
16	B2096961	BRACKET-LOUVER	1	EA	
17	M0220417	SCREW-TC	1	EA	
18	PB070359	INSULATION MC COVER	1	EA	
19	K20915902	CROSSMEMBER PSM 36	1	EA	
20	B20911391	GRILLE LOUVER TOP 36 PRO	1	EA	
21	B2096962	BRACKET-LOUVER SUP	1	EA	
22	B20911122	GRILLE LOUVER BOT 36 PRO	1	EA	NO LONGER AVAILABLE, Not available online / Call for pricing and availability
23	B20911816	GRILLE ENDCAP PRO L	1	EA	
24	K2099460	MC SIDE L	1	EA	
25	PD020233	SCR LAG 5/16-9 GX 5/16X7/16 WAF IHXW 3 S ZN	1	EA	
26	PD040157	BEARING SLEEVE	1	EA	
27	K20915675	BRACKET PSM	1	EA	

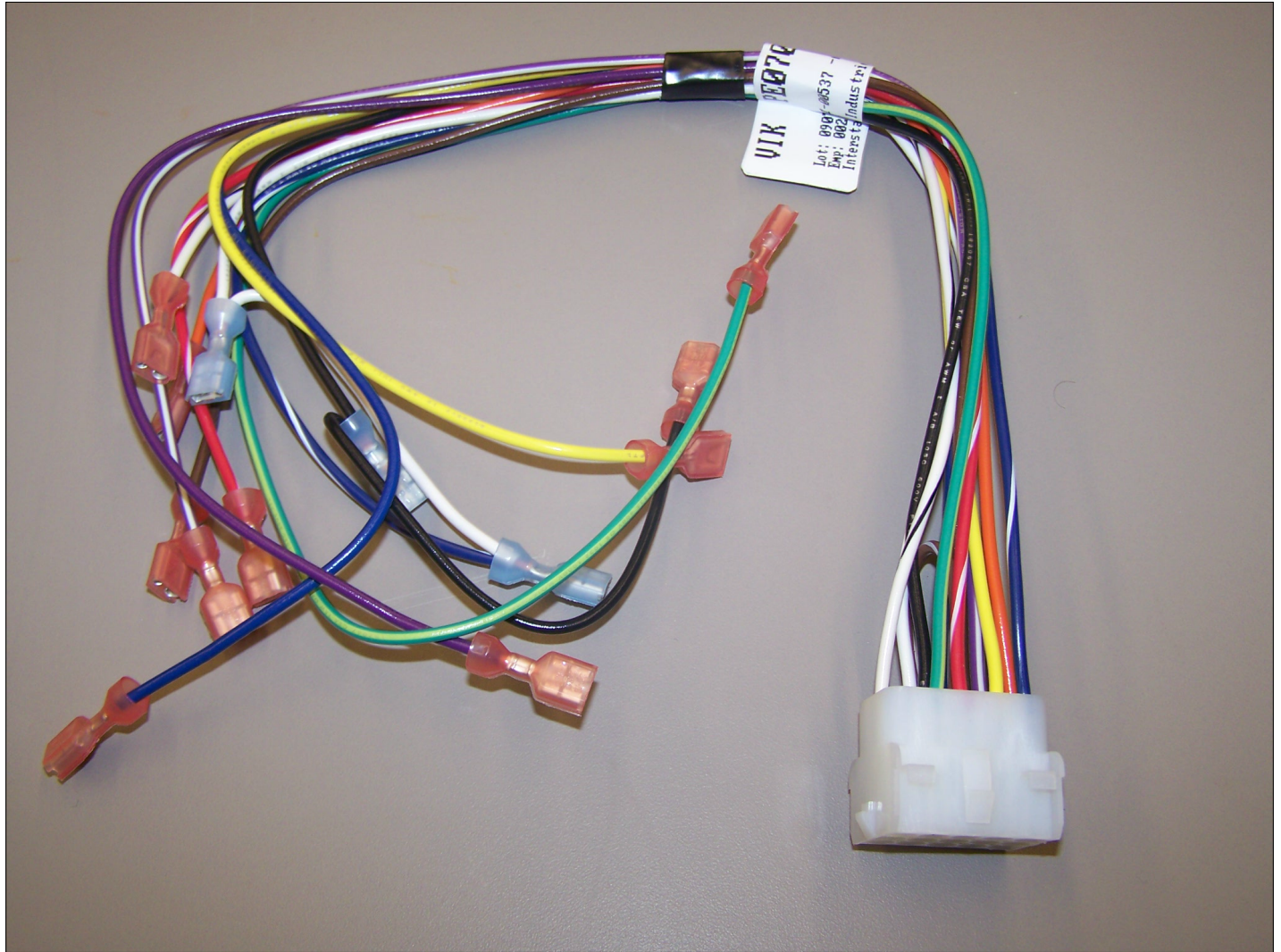




Item	Part No.	Name	Qty	Uom	NOTES
28	K2099455	SUPPORT MC Z	1	EA	



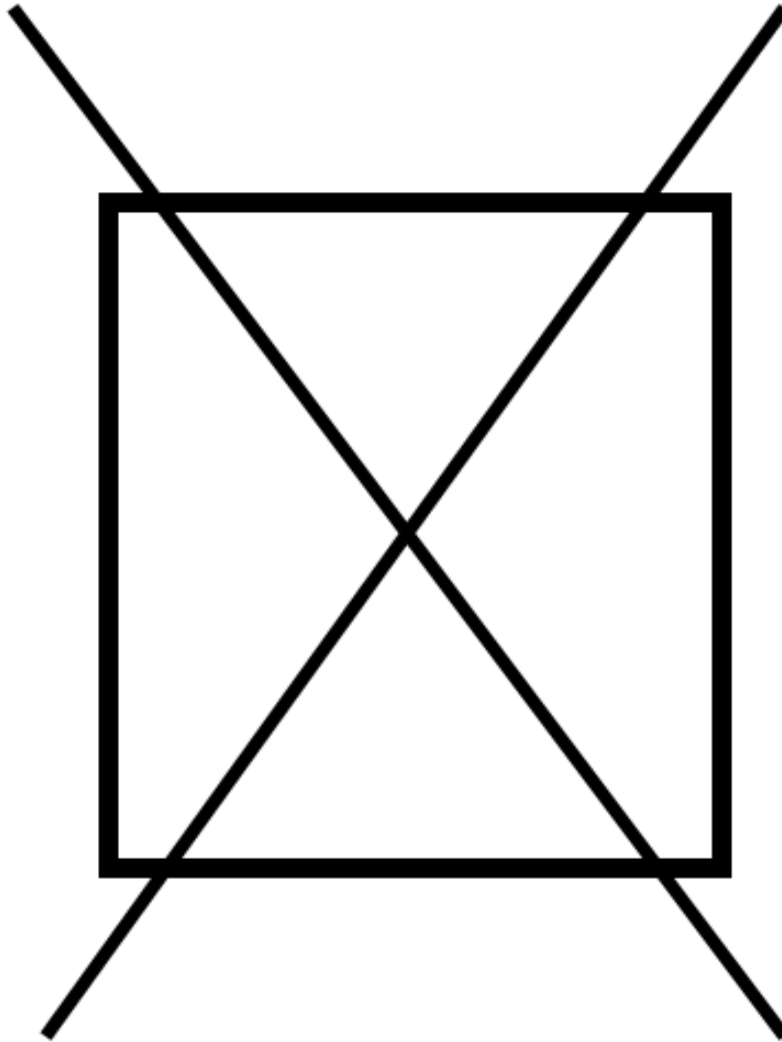
PE070785 HIGH VOLT HARNESS





Item	Part No.	Name	Qty	Uom	NOTES
1	PE070785	Harness, High Voltage Board	1	EA	

NON
ILLUSTRATED PART

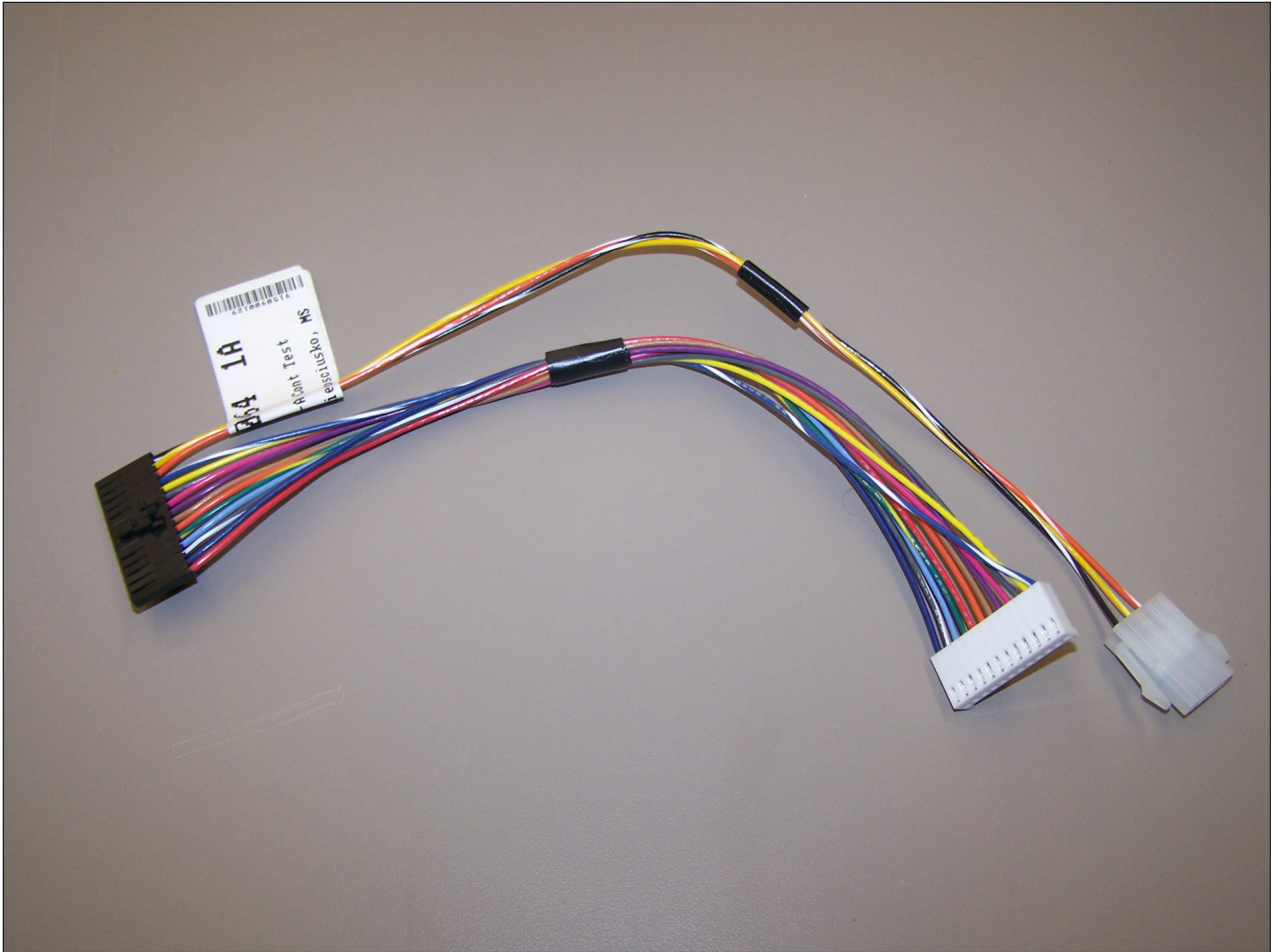




Item	Part No.	Name	Qty	Uom	NOTES
1	PE070877	HARNESS MACHINE COMP AR	1	EA	



PE970464 LOW VOLT HARNESS

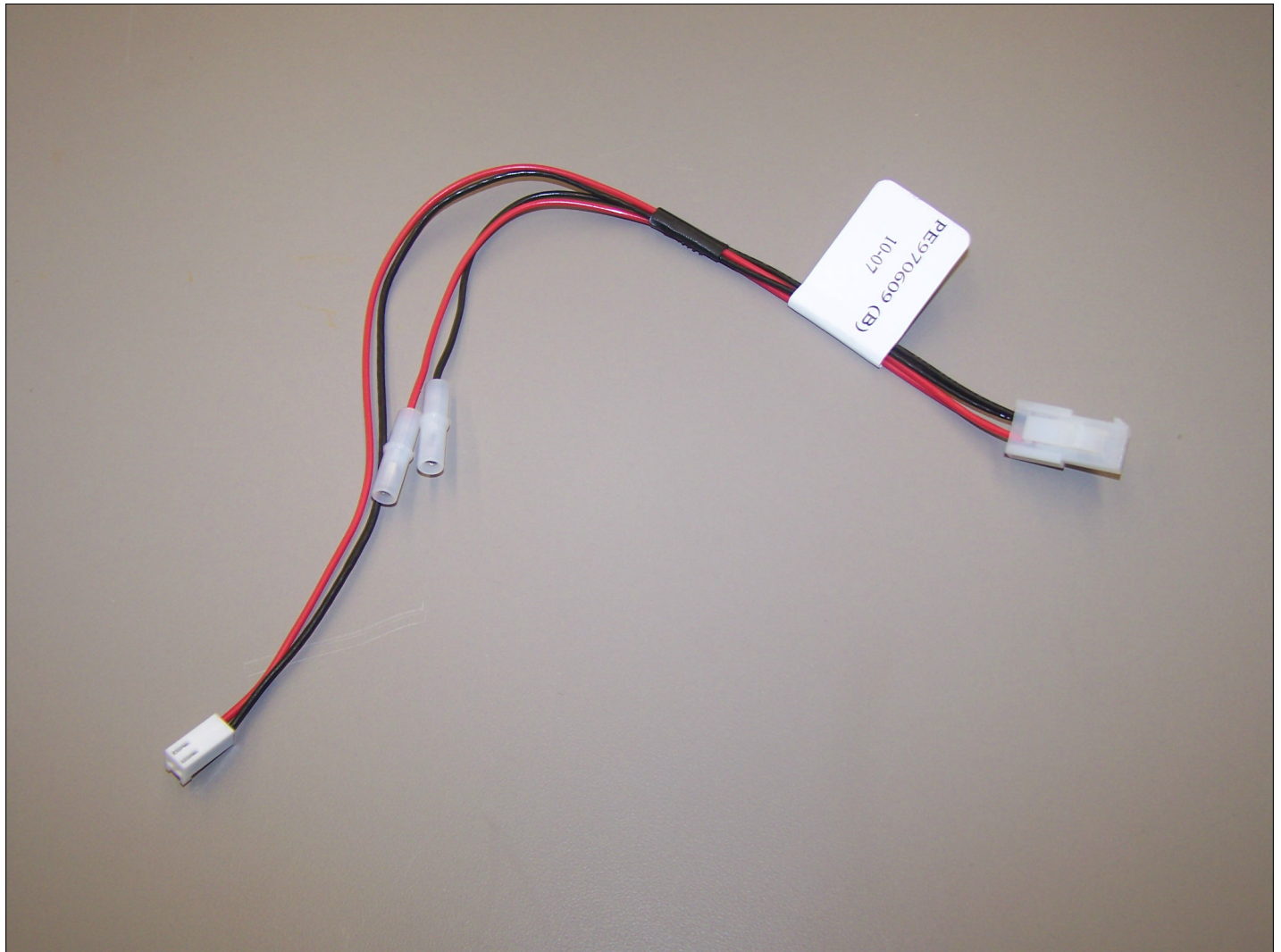




Item	Part No.	Name	Qty	Uom	NOTES
1	PE970464	HARNESS LOW VOLT 5 SERIES	1	EA	



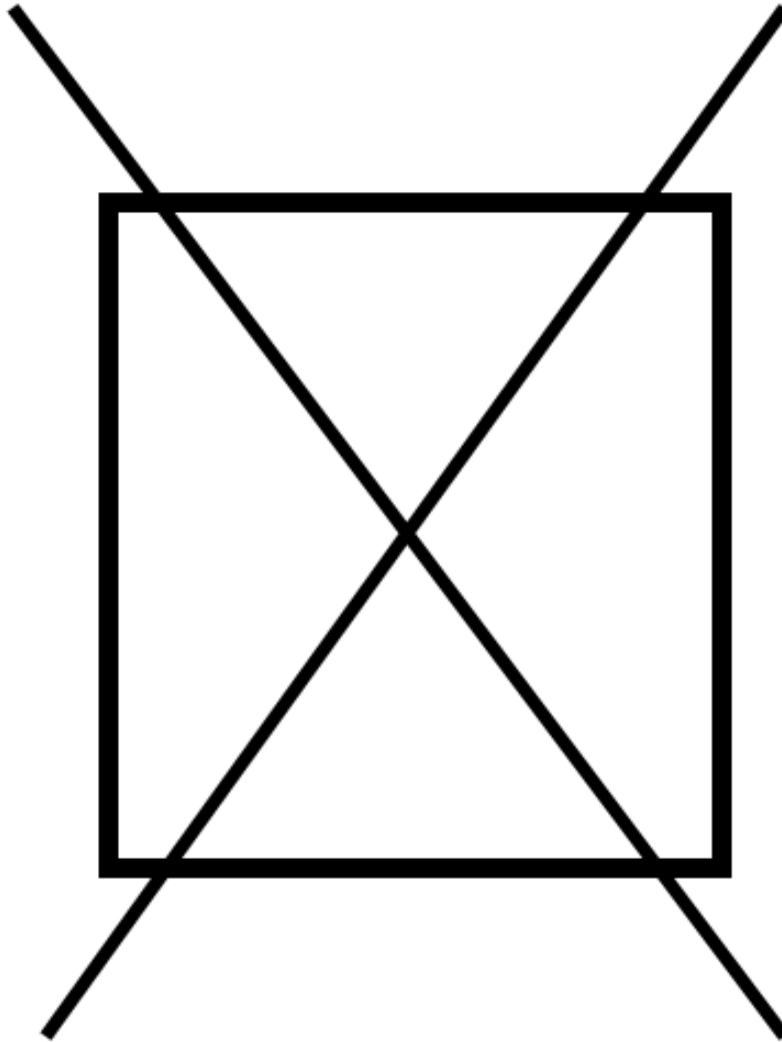
PE970609 CONTROL BOARD HARNESS





Item	Part No.	Name	Qty	Uom	NOTES
1	PE970609	HARNESS CONTROL BOARD 5 SERIES	1	EA	

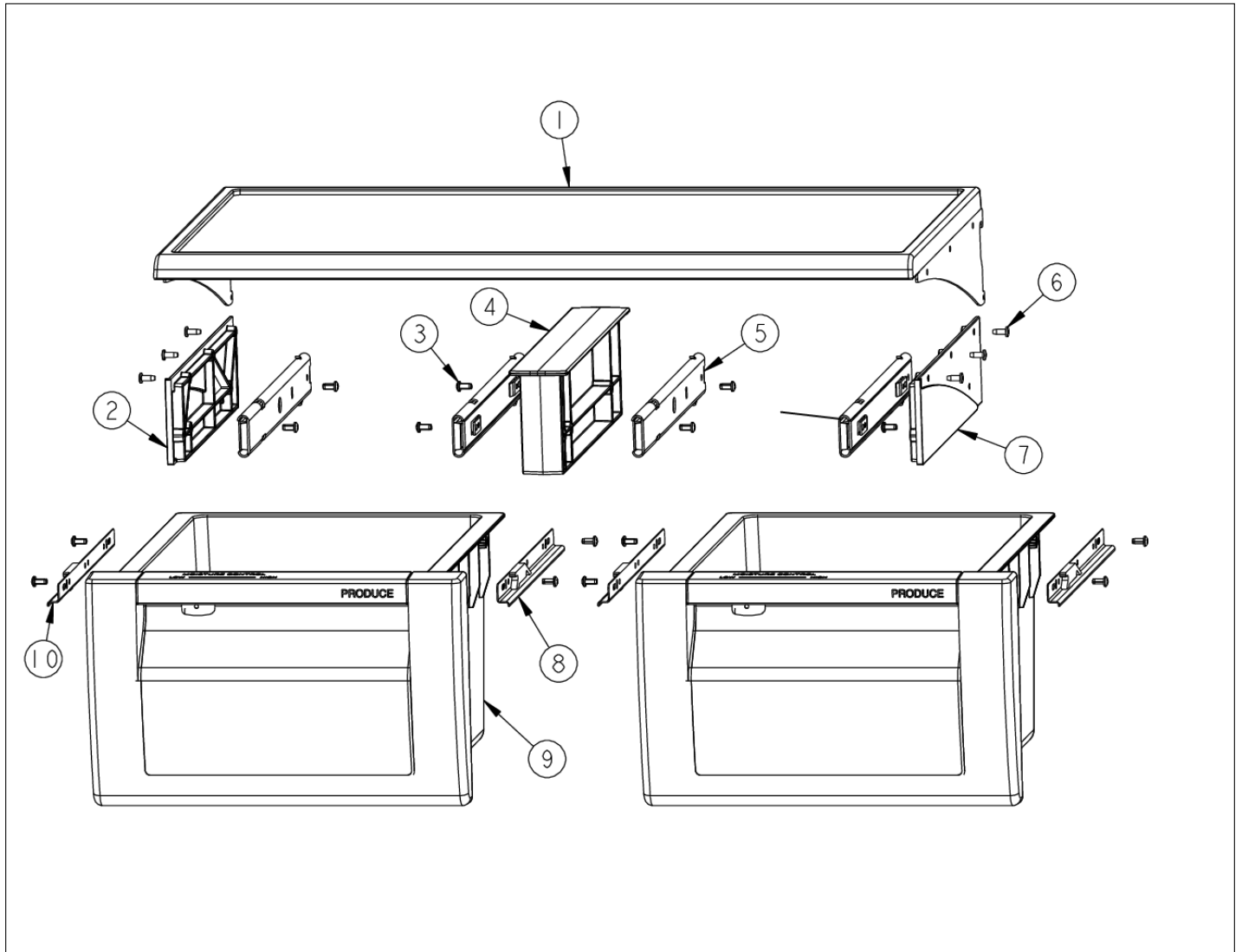
NON
ILLUSTRATED PART





Item	Part No.	Name	Qty	Uom	NOTES
1	PE970641	JUMPER FAN RESISTOR	1	EA	

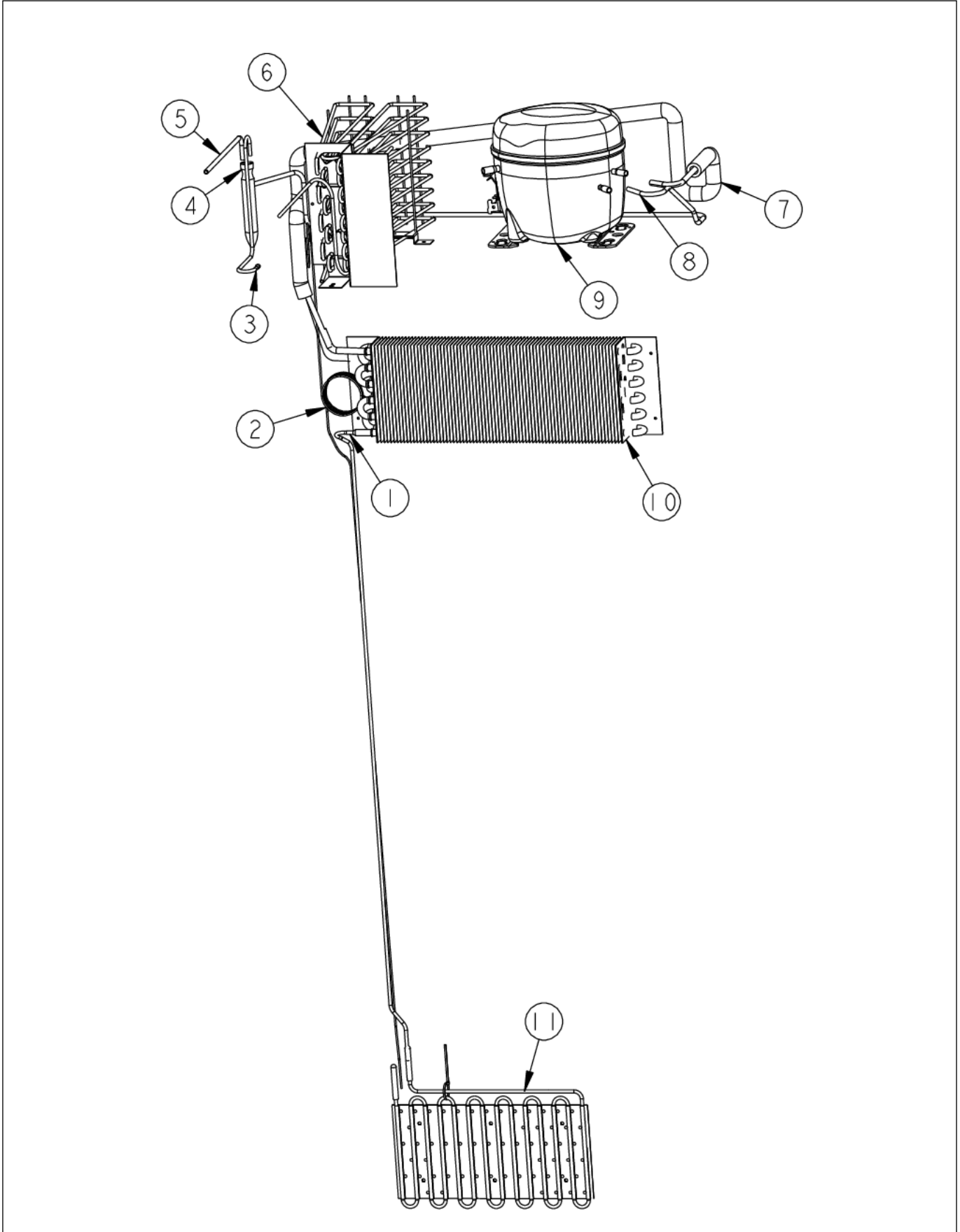
PRODUCE AREA





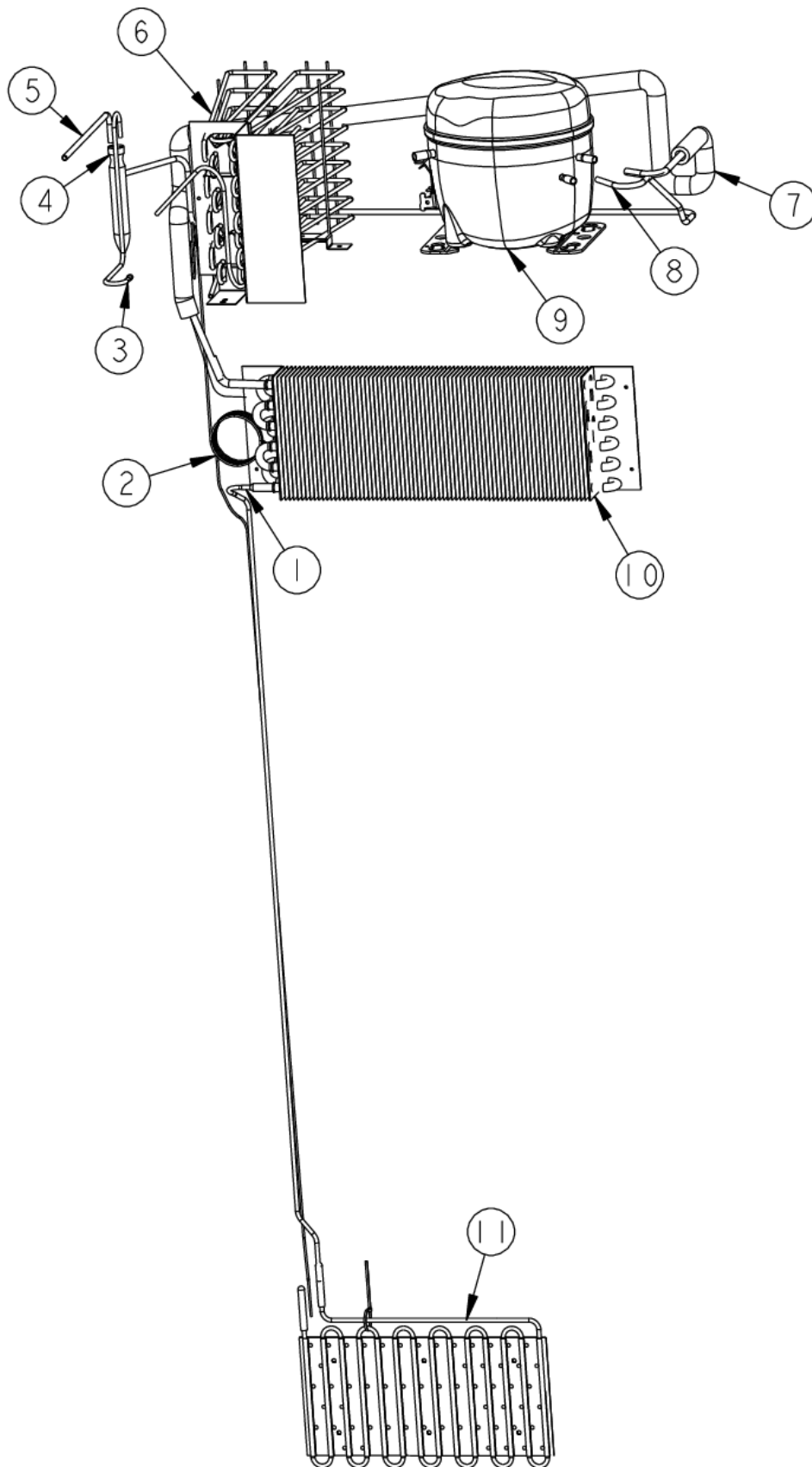
Item	Part No.	Name	Qty	Uom	NOTES
1	043203-000	SHELF ASM GLASS 36 AR 36 BM	1	EA	
2	044219-000	SUPPORT SLIDER L	1	EA	
3	PD920162	SCR 8-16 PLASTITE PNP 1/4 S	1	EA	
4	PK030439	GLIDE CENTER SUPPORT	1	EA	
5	046255-000	SLIDE, DWR, SOFT CLOSE, LH	2	EA	
6	PD020032	SRW-8(A)X3/8"PH.WFR HD 7/16DIA*NICL	1	EA	
7	044214-000	SUPPORT SLIDER R	1	EA	
8	PM910343	RAIL DRAWER R	1	EA	
9	PK930277	DRAWER PRODUCE ASM AR/BM 36	2	EA	
10	PM910342	RAIL DRAWER L	1	EA	
11	046235-000	SLIDE, DWR, SOFT CLOSE-RH	2	EA	

REFRIGERANT SYSTEM





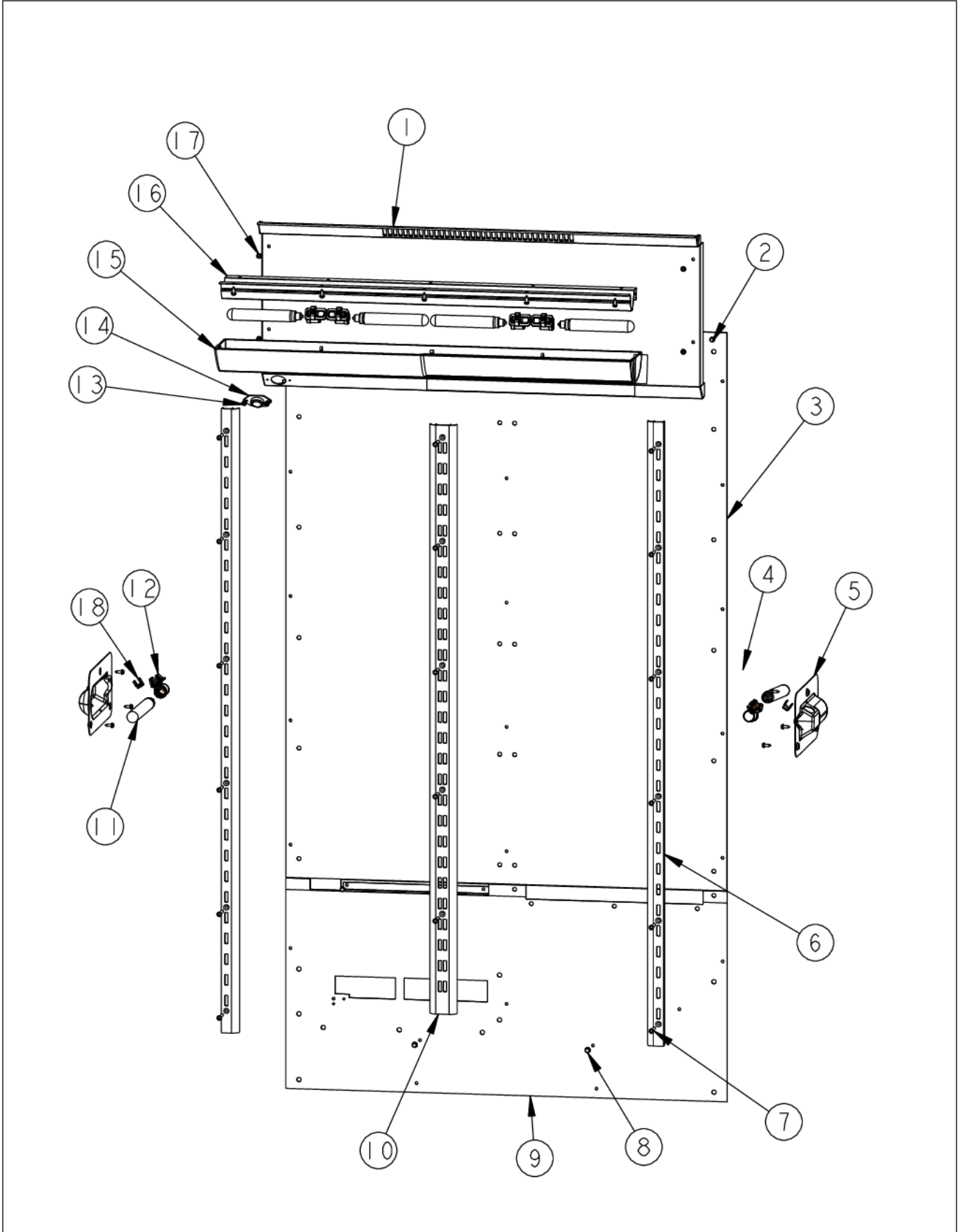
Item	Part No.	Name	Qty	Uom	NOTES
1	F20913720	TUBE EVAP AR 36	1	EA	
2	PB920246	TUBE CAPILLARY ASM AR 36 30	1	EA	
3	F2096669	TUBE-DRIER COND	1	EA	
4	PM010616	DRIER - HIGH SIDE	1	EA	
5	F2097740	TUBE PROCESS	1	EA	
6	PB920171	CONDENSER ASM	1	EA	
7	F20911126	TUBE SUCTION AR 30	1	EA	
8	F20910729	TUBE DISCHARGE AF AR 30	1	EA	
9	G50911820	COMPRESSOR KIT	1	EA	
<p>Comments for Part Num. G50911820</p> <p>bradleysapplianceservice@shaw.ca on Aug 24, 2018</p> <p>SUBS TO: 068640-000 COMPRESSOR KIT (COMES WITH INVERTER)</p> <p>SEE BULLETIN: TR-0101A-SP</p>					
Not Shown	NOTE	(INCLUDES DRIER)		EA	
10	PM910455	EVAPORATOR AR 36	1	EA	
11	049987-000	MS HEAT EXCH ASM AR 36 30	1	EA	





Item	Part No.	Name	Qty	Uom	NOTES
Comments for Part Num. 049987-000					
bradleysapplianceservice@shaw.ca on Sep 22, 2017 SUBS TO: 049987-000 HEAT EXCHANGER AR 30" / 36" crystal@knservice.com on Sep 22, 2017 This new aluminum h/e melts where it meets the copper tip when welding during a repair. Any recommendations to prevent this?					
Reply by corcoran1@cox.net on Dec 21, 2017 Try heat sink and wrap it in wet towel, use oxy-acetylene torch as opposed to map gas					
Reply by bradleysapplianceservice@shaw.ca on Jun 5, 2018 Yes, we have used heat paste but wet rags torn into thin strips works just as good and readily available.					
Reply by tim@tnrappliance.com on Dec 20, 2018 this new aluminum is crap can barely heat it and the copper tip comes off. i now get to redo the job when i get another heat exchanger. has anyone used an epoxy to set the tubes.					
bradleysapplianceservice@shaw.ca on Jun 5, 2018 Use caution when brazing, must use heat sink to avoid melting the aluminum. Use heat paste or wet rags. Also be sure check ports before installing. We have had a plugged port from factory when they installed the copper ends they closed off the port internally. Can't be seen easily so use nitrogen to blow through ports to be sure they are not plugged. It would have been nice to see at least 3 more inches of copper on the ends. It's easier to cut the above tubing to size than deal with these stubby copper ports.					

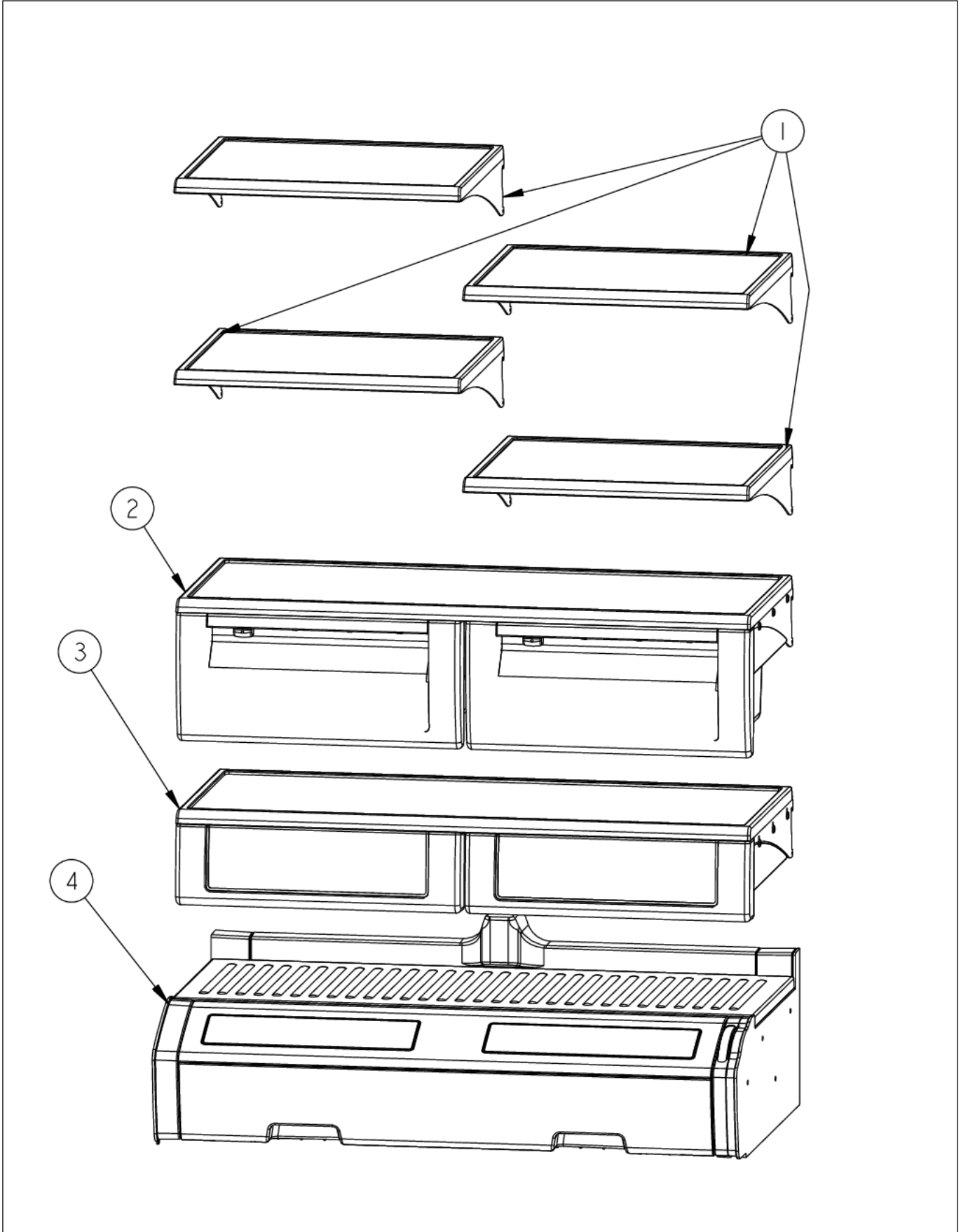
REFRIGERATOR COMPARTMENT





Item	Part No.	Name	Qty	Uom	NOTES
1	L20914100	COVER EVAP AR 36	1	EA	
2	PD020194	SCR, HEX SRTD WSHR HD, #8-18 X 1/2	1	EA	
3	L20913712WH	COVER SUMP UPPER AR 36	1	EA	
4	PK930346	COVER LIGHT	1	EA	
5	10270203	HOUSING-LIGHT V10270203	1	EA	
6	PM910280	LADDER SIDE AF 30 36	1	EA	
7	M0238535	SCREW-SM	1	EA	
8	PD020195	SCR 8-18 X 5/8	1	EA	
9	L20913716WH	COVER SUMP LOWER AR 36	1	EA	
10	PM910284	LADDER CENTER AR 36	1	EA	
11	004528-000	LAMP, 40 WATT CLEAR LIGHT	1	EA	
12	PE950125	LIGHT SOCKET	1	EA	
13	M0211014	SCREW-SM	1	EA	Not available online / Call for pricing and availability
14	C8983701	THERMISTOR	1	EA	
15	020123-000	COVER LIGHT ASM AF AR BM 36	1	EA	
16	L20910705	BRACKET LIGHT AR 36	1	EA	
17	PD020238	SCR WH HEX WSHR HD SLTD #8-18 X 1/2	1	EA	
18	B5733302	CLIP-GROUND	1	EA	
NI	PB070288	1/4" X 1/2" CLOSED CELL SPONGE	1	EA	

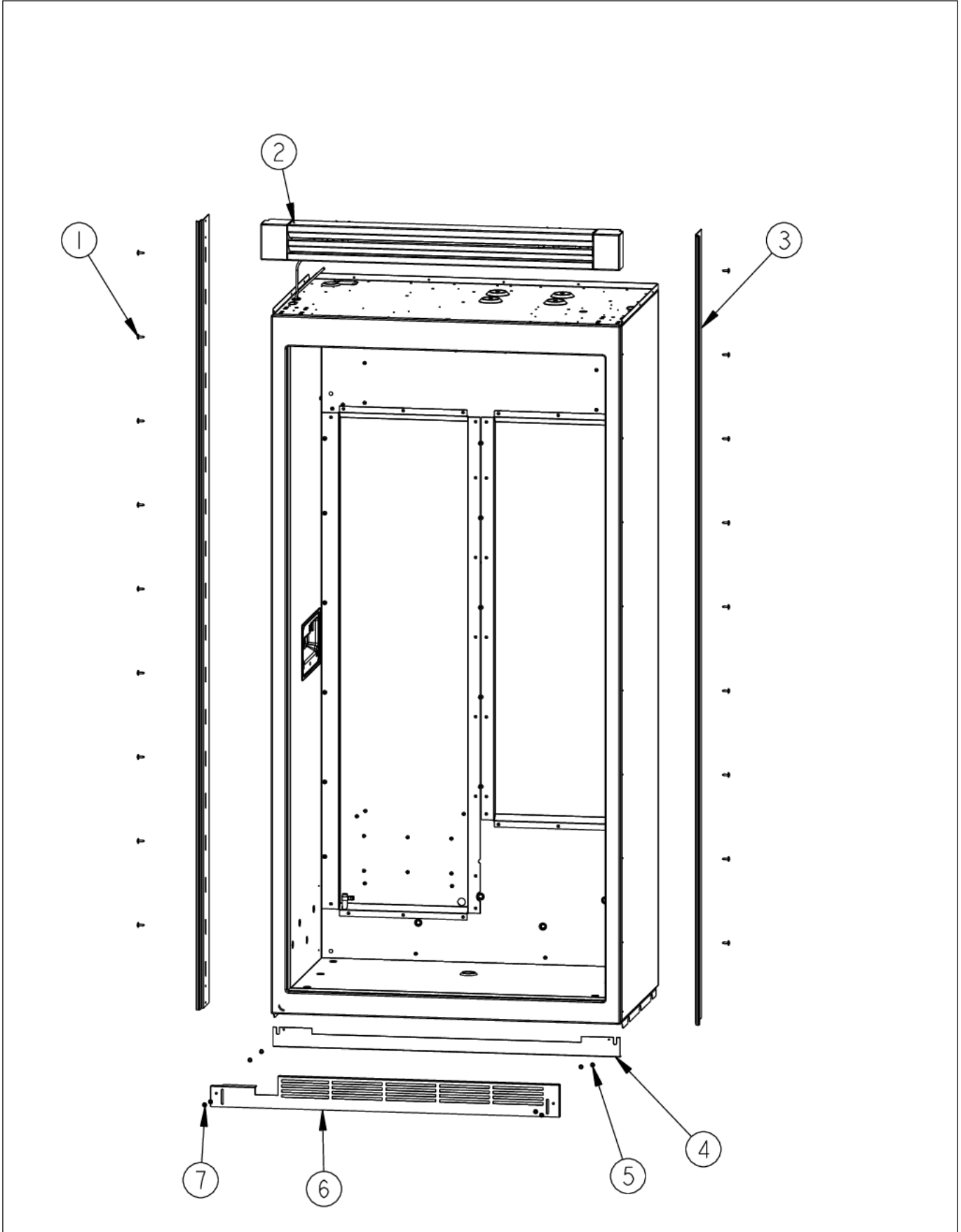
REFRIGERATOR SHELVING





Item	Part No.	Name	Qty	Uom	NOTES
1	PM910351	SHELF ASM GLASS BM 36 FF	1	EA	
2	Produce Drawer Area	FOR BREAKDOWN SEE PAGE 003	1	EA	Not available online / Call for pricing and availability
3	DELI DRAWER AREA	FOR BREAKDOWN SEE PAGE 002	1	EA	
4	Meat Saver Drawer	FOR BREAKDOWN SEE PAGE 004	1	EA	Not available online / Call for pricing and availability

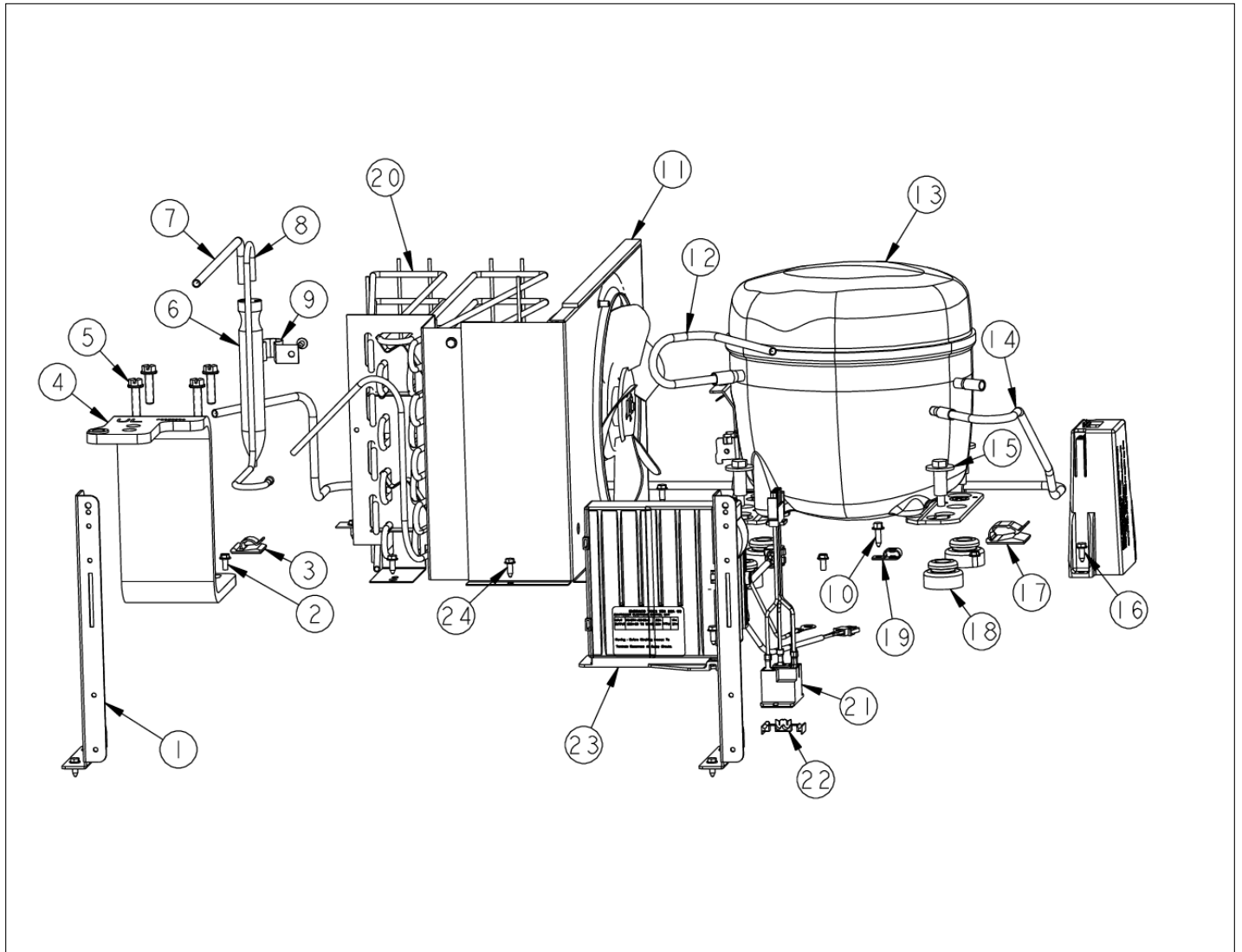
UNIT EXTERIOR





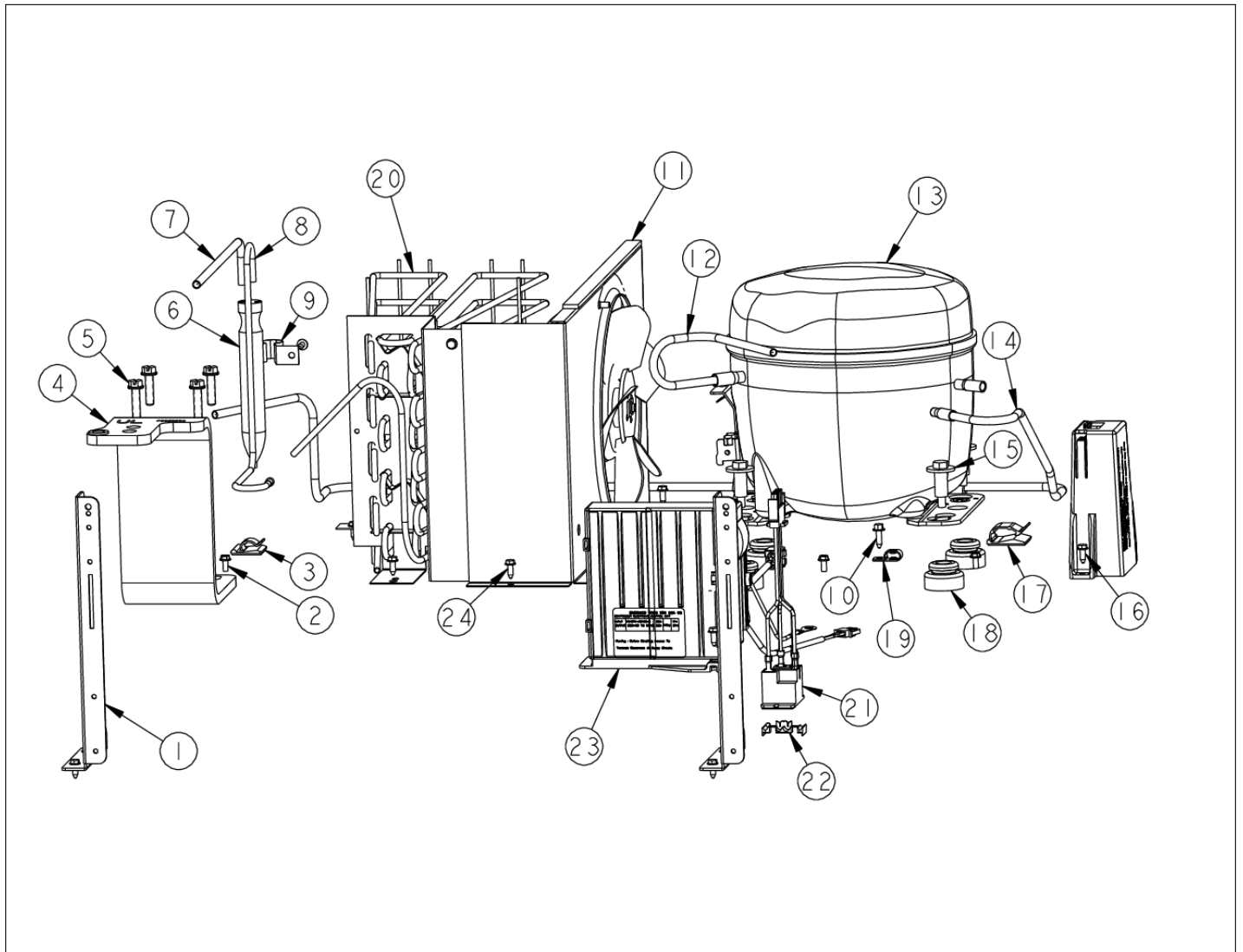
Item	Part No.	Name	Qty	Uom	NOTES
1	M0210458	SCREW-SM	1	EA	
2	G32911375	GRILLE ASM AF 36 PRO LH	1	EA	
Not Shown	NOTE	(FOR BREAKDOWN SEE PAGE 011)		EA	
Not Shown	G32911116	GRILLE ASM AF AR 36 PRO	1	EA	
Not Shown	NOTE	(FOR BREAKDOWN SEE PAGE 011)		EA	
3	PK910123	SIDE TRIM - PRO	1	EA	
4	000147-002	LOWER KICK PLATE	1	EA	
5	40370P01	NYLON FLAT WASHER V40370P01	1	EA	
6	C9099206BK	GRILLE TOE VENTED 36 LH *BK*	1	EA	
Not Shown	C90910759BK	GRILLE TOE VENTED 36 *BK*	1	EA	
7	M0210443	SCREW-E SM VM0210443	1	EA	
NI	047907-000	GRILLE, TOE, ASM, 36 AF, AR L	1	EA	
Not Shown	NOTE	(CONTAINS ITEMS #4 - #7)		EA	
NI	G50915027	GRILLE TOE ASM AF AR 36 R	1	EA	
Not Shown	NOTE	(CONTAINS ITEMS #4 - #7)		EA	

UPPER UNIT AREA





Item	Part No.	Name	Qty	Uom	NOTES
1	K20912569	BRACKET GRILLE SUPPORT	1	EA	
2	PD020010	10 X 3/8 GREEN GROUNDING SCREW	1	EA	
3	M0104106	CLIP-CORD VM0104106	1	EA	
4	PC920204	HINGE ASM UL	1	EA	
Not Shown	PC920203	HINGE ASM UR	1	EA	
5	000570-000	FASTENER, BOLT, 1/4-20 IHXWS 1" S ZN SER	1	EA	
6	PM010616	DRIER - HIGH SIDE	1	EA	
7	F2097740	TUBE PROCESS	1	EA	
8	F2096669	TUBE-DRIER COND	1	EA	
9	10547001	CLIP-DRIER V10547001	1	EA	
10	PD020195	SCR 8-18 X 5/8	1	EA	
11	G5096494	COND. FAN ASSY	1	EA	
12	F2096507	TUBE-PROCESS GRN	1	EA	
13	G50911820	COMPRESSOR KIT	1	EA	
<p>Comments for Part Num. G50911820</p> <p>bradleysapplianceservice@shaw.ca on Aug 24, 2018</p> <p>SUBS TO: 068640-000 COMPRESSOR KIT (COMES WITH INVERTER)</p> <p>SEE BULLETIN: TR-0101A-SP</p>					
Not Shown	NOTE	(INCLUDES DRIER)		EA	
14	F20910729	TUBE DISCHARGE AF AR 30	1	EA	
15	M0221523	SCREW - SHLDR	1	EA	
16	050894-000	ASSY, BKT, PWR SUPPLY, 24VDC, REF	1	EA	
17	M0104102	CLIP-CORD RED	1	EA	
18	10835901	GROMMET RUBBER V10835901	1	EA	
19	002573-000	CLAMP CORD	1	EA	
20	PB920171	CONDENSER ASM	1	EA	
21	G50915958	ASM AR SABBATH MODE RELAY	1	EA	
22	M0327801	TAP-ELECTRO	1	EA	
23	011666-000	INVERTER,CMPR,ASM	1	EA	





Item	Part No.	Name	Qty	Uom	NOTES
Comments for Part Num. 011666-000 gboltz@VikingRange.com on Aug 9, 2018 See 2018-01P Parts Bulletin					
24	PD020194	SCR, HEX SRTD WSHR HD, #8-18 X 1/2	1	EA	



Appendix A:Pages Index

10916507 POWER CORD 1
CONTROL AREA 2
CONVERTIBLE MEAT SAVER 3
DELI DRAWER 4
DOOR FOAM AREA 5
DOOR SKIN AREA 6
EVAPORATOR AREA 7
LOWER UNIT AREA 8
MC COVER AND UPPER GRILLE AREA 9
PE070785 HIGH VOLT HARNESS 10
PE070877 MACHINE HARNESS 11
PE970464 LOW VOLT HARNESS 12
PE970609 CONTROL BOARD HARNESS 13
PE970641 FAN RESISTOR JUMPER 14
PRODUCE AREA 15
REFRIGERANT SYSTEM 16
REFRIGERATOR COMPARTMENT 17
REFRIGERATOR SHELVING 18
UNIT EXTERIOR 19
UPPER UNIT AREA 20



Appendix B:Parts Index

000147-002	19	120467	4
000268-000	6	12064001	2
000570-000	8, 20	40370P01	19
000755-000	6	A3030361	2
001617-000	5	A4554806	8, 9
001956-000	5	A4554817	2, 8
002573-000	20	B20911122	9
002667-000	8	B20911391	9
002668-000	8	B20911392	9
004528-000	17	B20911816	9
004551-000	3, 8	B20911818	9
005319-000	2	B20915620	6
005447-000	5	B20915622	6
007391-000	5	B20915627	8
011666-000	20	B2096961	9
014581-000	6	B2096962	9
016181-000	5	B5733302	17
016182-000	5	C8983701	17
020123-000	17	C90910759BK	19
020822-000	3	C90915620AL	6
036882-000	5	C90915620BK	6
036884-000	5	C90915620BT	6
043203-000	4, 15	C90915620BU	6
044214-000	4, 15	C90915620CB	6
044219-000	4, 15	C90915620EP	6
044232-000	3	C90915620FG	6
044384-000	3	C90915620GG	6
044809-000	3	C90915620LE	6
046235-000	4, 15	C90915620MJ	6
046255-000	4, 15	C90915620SG	6
047907-000	19	C90915620VB	6
049987-000	7, 16	C90915622AL	6
050894-000	20	C90915622BK	6
056845-000	6	C90915622BT	6
060890-000	8	C90915622BU	6
060891-000	8	C90915622CB	6
10270203	17	C90915622EP	6
10547001	20	C90915622FG	6
10835901	20	C90915622GG	6
10916507	1	C90915622LE	6
		C90915622MJ	6



VCRB364JMAG-RSERIES

C90915622SG	6	L20913716WH	17
C90915622VB	6	L20914100	17
C9099206BK	19	L20915620WH	6
F20910729	16, 20	L20915622WH	6
F20911126	7, 16	M0104102	8, 20
F20913720	7, 16	M0104106	2, 7, 8, 20
F20915696	8	M0204303	6
F2096507	20	M0210443	19
F2096669	16, 20	M0210458	6, 19
F2097740	16, 20	M0211014	17
G32911116	19	M0211021	3
G32911375	19	M0220417	8, 9
G32915043	5	M0221523	8, 20
G50911820	16, 20	M0223509	9
G50911853	8	M0224128	2
G50914135	7	M0238535	17
G50914189	7	M0238846	2
G50915027	19	M0253916	8
G50915958	20	M0270510	9
G5096494	20	M0288120	2
K20910060	2	M0327801	8, 20
K20910061	2	M0585504	2
K20911831	8	M0585506	2
K20912569	20	Meat Saver Drawer	18
K20914102	7	PB070288	7, 17
K20915000	2	PB070355	9
K20915675	9	PB070358	9
K20915902	9	PB070359	9
K20915952	8	PB920171	16, 20
K2097596	6	PB920246	7, 16
K2098044	8	PB970171	9
K2098096	8	PB970187	7
K2098654	2	PC020278	5
K2099402	2	PC020279	5
K2099455	9	PC020288	8
K2099459	9	PC020289	8
K2099460	9	PC040010	2, 2, 8, 9
K2099931	9	PC910015	8
K2099933	9	PC920144	8
L20910705	17	PC920145	8
L20913712WH	17	PC920149	8



VCRB364JMAG-RSERIES

PC920166	8	PE970464	12
PC920203	20	PE970609	13
PC920204	20	PE970641	14
PD020010	8, 20	PF930487	2
PD020013	2	PF930672	2
PD020032	4, 7, 15	PK030439	4, 15
PD020194	2, 7, 8, 9, 17, 20	PK030445	7
PD020195	3, 17, 20	PK030446	7
PD020233	9	PK030458	2
PD020238	7, 17	PK030459	2
PD020274	8	PK050004	9
PD030006	6	PK910089	9
PD030146	8	PK910123	19
PD030148	7	PK930172	3
PD040150	7	PK930173	3
PD040157	9	PK930174	3
PD050019	5	PK930175	3
PD920161	4	PK930176	3
PD920162	4, 15	PK930277	15
PD920174	5	PK930278	3
PD940090	8	PK930283	3
PD940091	8	PK930284	3
PD940094	8	PK930285	3
PD940107	8	PK930286	3
PE010030	6	PK930289	4
PE010031	6	PK930346	17
PE010068	6	PK930348	8
PE010076	6	PK930424	8
PE030001PVD	6	PM010616	16, 20
PE030173PVD	6	PM910280	17
PE050248	8	PM910284	17
PE070728	2	PM910287	3
PE070785	10	PM910288	3
PE070877	11	PM910325	2
PE930101	6	PM910334	3
PE940176	6	PM910342	4, 15
PE950122	2	PM910343	4, 15
PE950125	17	PM910351	18
PE950147	8	PM910455	7, 16
PE950149	2	Produce Drawer Area	18
PE950181	2	V12097404	5