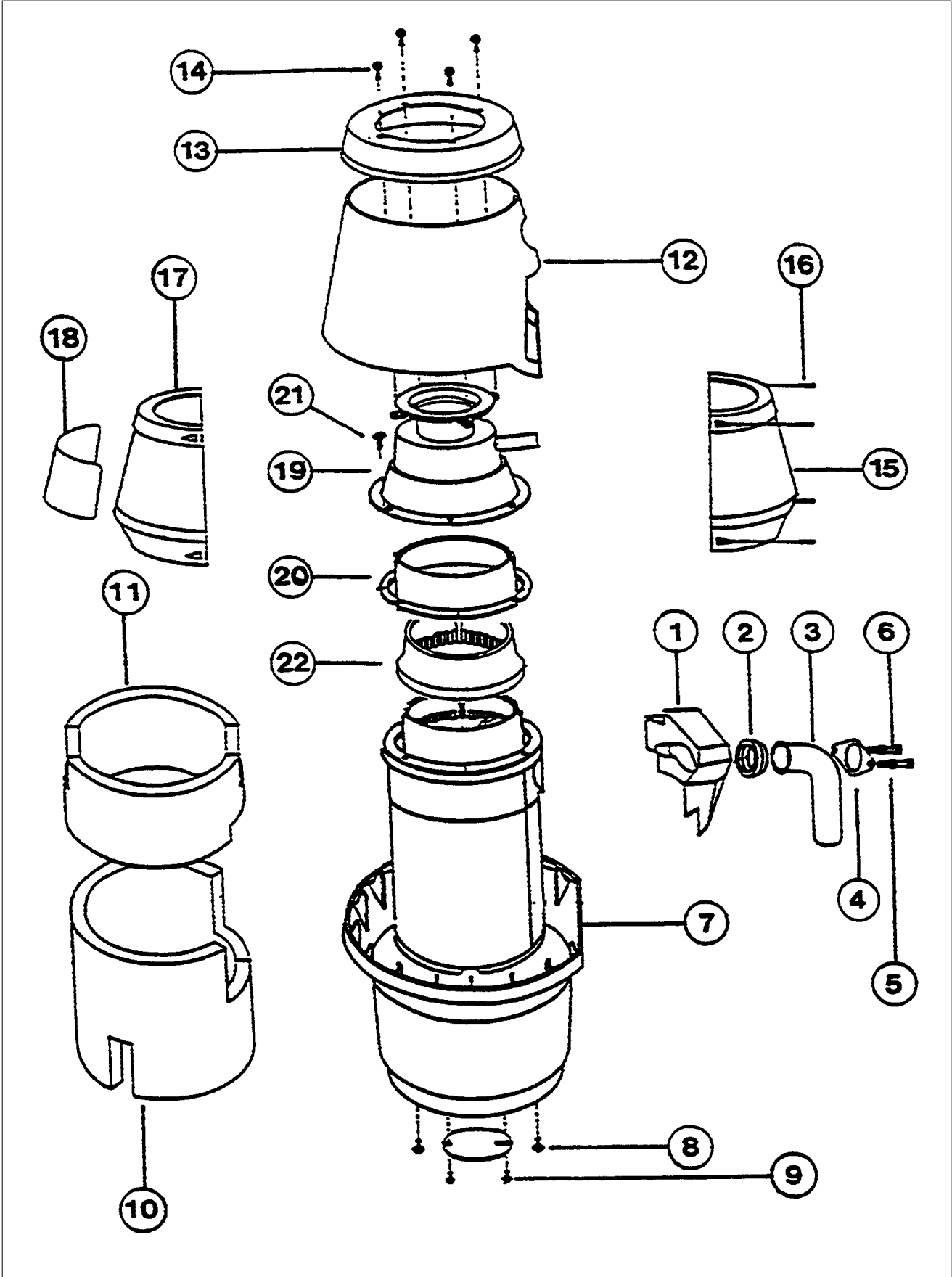


**VCFW1020**

|                              |   |
|------------------------------|---|
| DISPOSER ASSY .....          | 1 |
| END BELL ASSY .....          | 2 |
| MICROSWITCH ASSY .....       | 3 |
| SINK FLANGE ASSY .....       | 4 |
| SWITCH AND DIODE ASSY .....  | 5 |
| Appendix A:Pages Index ..... | A |
| Appendix B:Parts Index ..... | B |

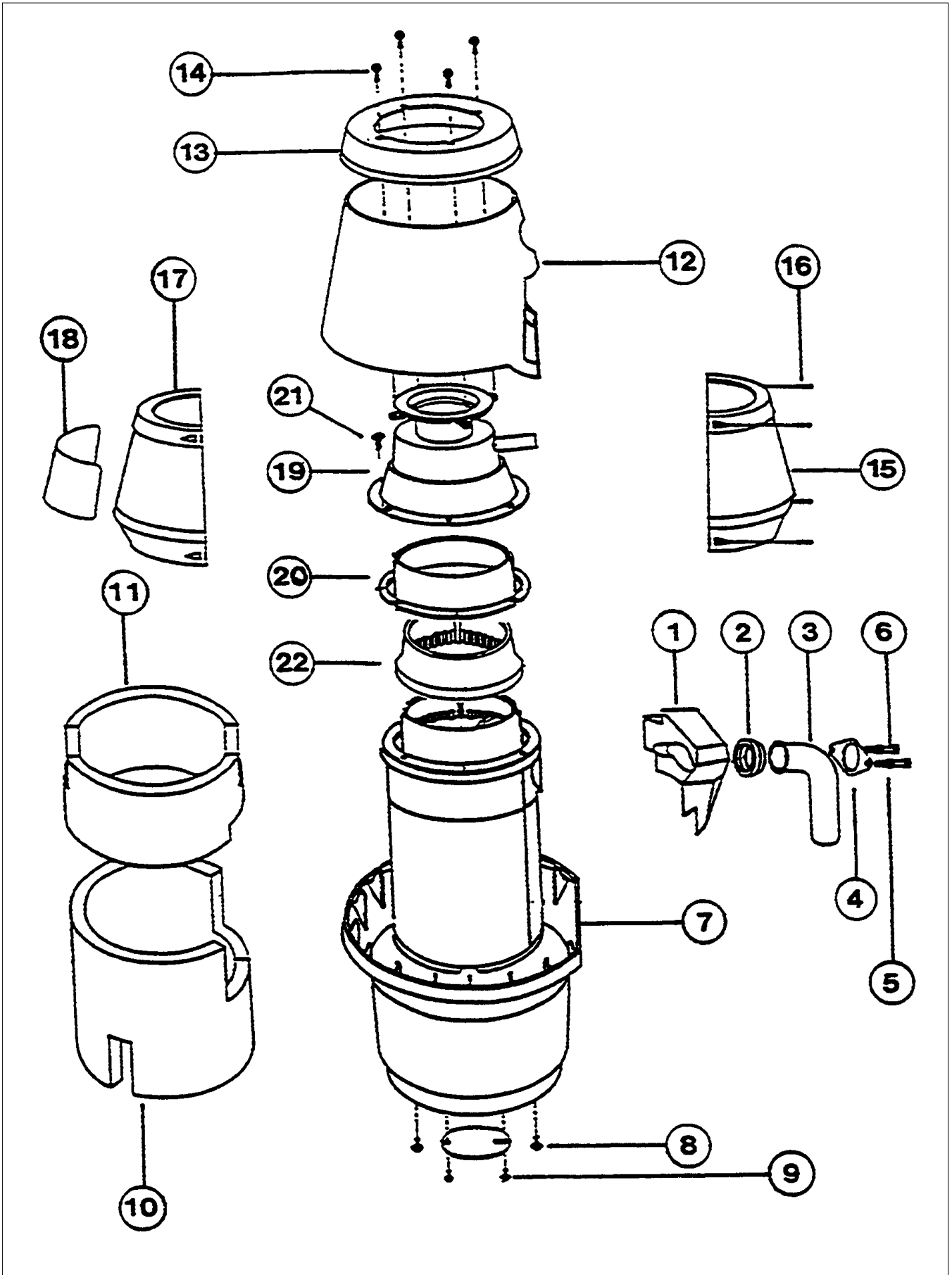


DISPOSER ASSY





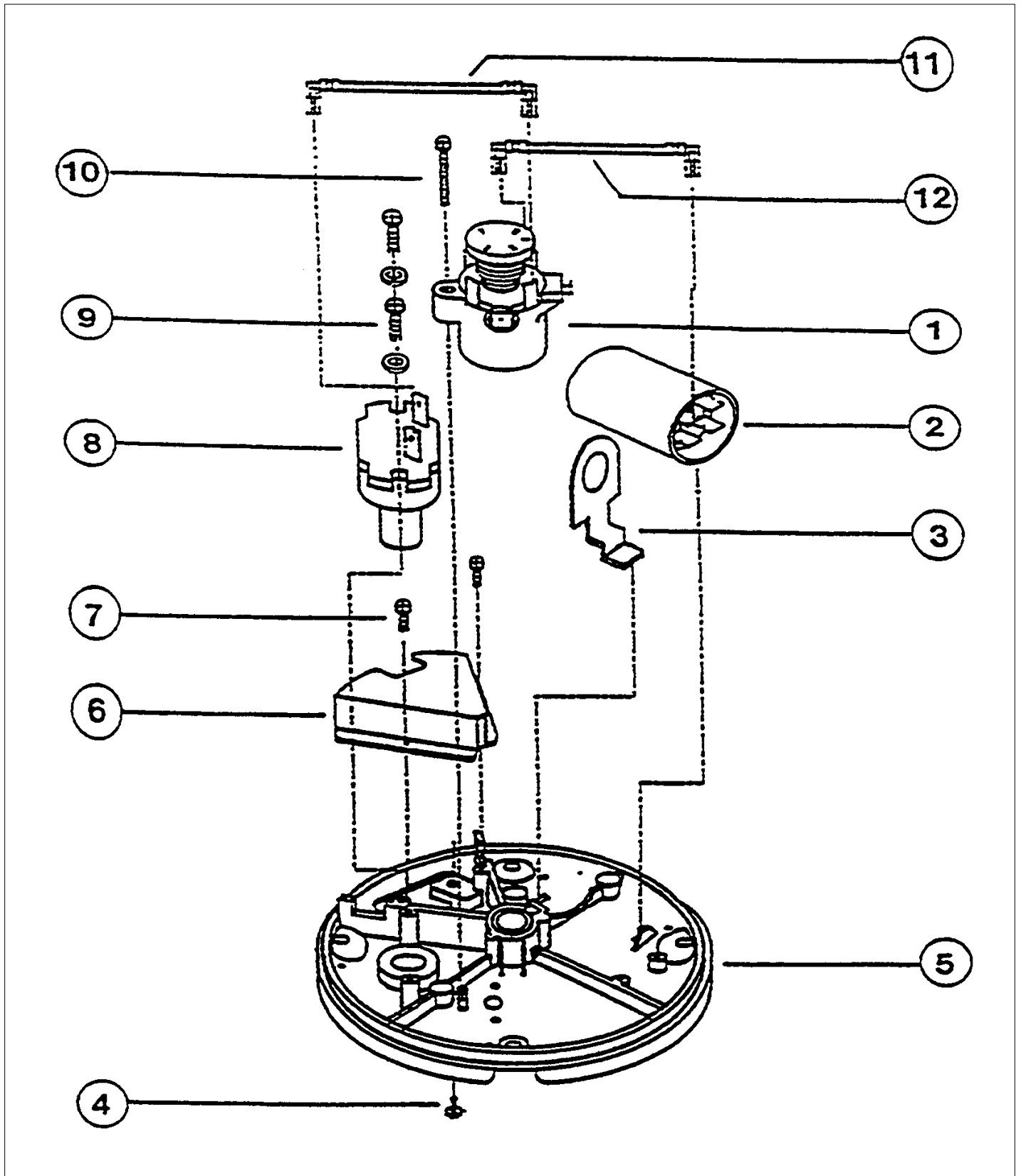
| Item | Part No.   | Name                                   | Qty | Uom | NOTES   |
|------|------------|--|-----|-----|---|
| 1    | PB070018   | DRAIN LINER                            | 1   | EA  |   |
| 2    | PB070021   | SEAL, SPOUT - DISPOSAL<br>115818       | 1   | EA  |   |
| 3    | PP100006   | SPOUT, WASTE - DISPOSAL<br>115817      | 1   | EA  |   |
| 4    | C9301043ZC | SPOUT FLANGE                           | 1   | EA  |   |
| 5    | PD030008   | HEX NUT                                | 1   | EA  |   |
| 6    | PD010020   | HEX HEAD BOLT (1/4-20 X 1<br>1/2)      | 1   | EA  |   |
| 7    | J1002322   | FULL SHELL-LOWER<br>"GRAY"(BATCH/CONT) | 1   | EA  | NO LONGER<br>AVAILABLE  |
| 8    | PD020027   | SCREW, DRIVE #6-32 X<br>3/8"SLT.WSH.HD | 1   | EA  | NO LONGER<br>AVAILABLE  |
| 9    | PD020026   | SCREW, DRIVE #6-32 X 5/16"<br>C.REC. T | 1   | EA  | NO LONGER<br>AVAILABLE, Not<br>available online /<br>Call for pricing<br>and availability |
| 10   | PB070033   | LOWER INSULATION                       | 1   | EA  |   |
| 11   | PB070019   | INSULATION, UPPER -<br>DISPOSAL 115425 | 1   | EA  | NO LONGER<br>AVAILABLE, Not<br>available online /<br>Call for pricing<br>and availability |
| 12   | G3201048   | TRIM, BAND ASSY *AL*                   | 1   | EA  | NO LONGER<br>AVAILABLE  |
| 13   | PP100010   | TOP, CAP (GRAY) CONT. FEED             | 1   | EA  | NO LONGER<br>AVAILABLE  |
| 14   | PD020030   | SCREW, DRIVE #8-32 X 3/8"<br>PAN C.REC | 1   | EA  | Not available<br>online / Call for<br>pricing and<br>availability                         |
| 15   | J1002321   | HALF SHELL-REAR<br>(CONTINUOUS)        | 1   | EA  | NO LONGER<br>AVAILABLE  |
| 16   | PD020037   | SCREW                                  | 1   | EA  | NO LONGER<br>AVAILABLE  |
| 17   | PP100002   | SUB TO G3201048 - TRIM BAND            | 1   | EA  | NO LONGER<br>AVAILABLE, Not<br>available online /<br>Call for pricing<br>and availability |
| 18   | PE010023   | LABEL, MAIN (VCFW1020)                 | 1   | EA  | NO LONGER<br>AVAILABLE, Not<br>available online /<br>Call for pricing<br>and availability |





| Item | Part No. | Name                                    | Qty | Uom | NOTES   |
|------|----------|---|-----|-----|---|
| 19   | PK010005 | UPPER HOUSING -<br>CONTINUOUS FEED      | 1   | EA  | Not available<br>online / Call for<br>pricing and<br>availability |
| 20   | PB070020 | SEAL, SHREDDER RING-<br>DISPOSAL 115804 | 1   | EA  |   |
| 21   | PD020034 | SCREW-#2-56 X 3/8" (#304) SS<br>RD.HD   | 1   | EA  |   |
| 22   | PC070008 | RING,SHREDDER-MACH.-<br>DISPOSAL 242555 | 1   | EA  | NO LONGER<br>AVAILABLE  |

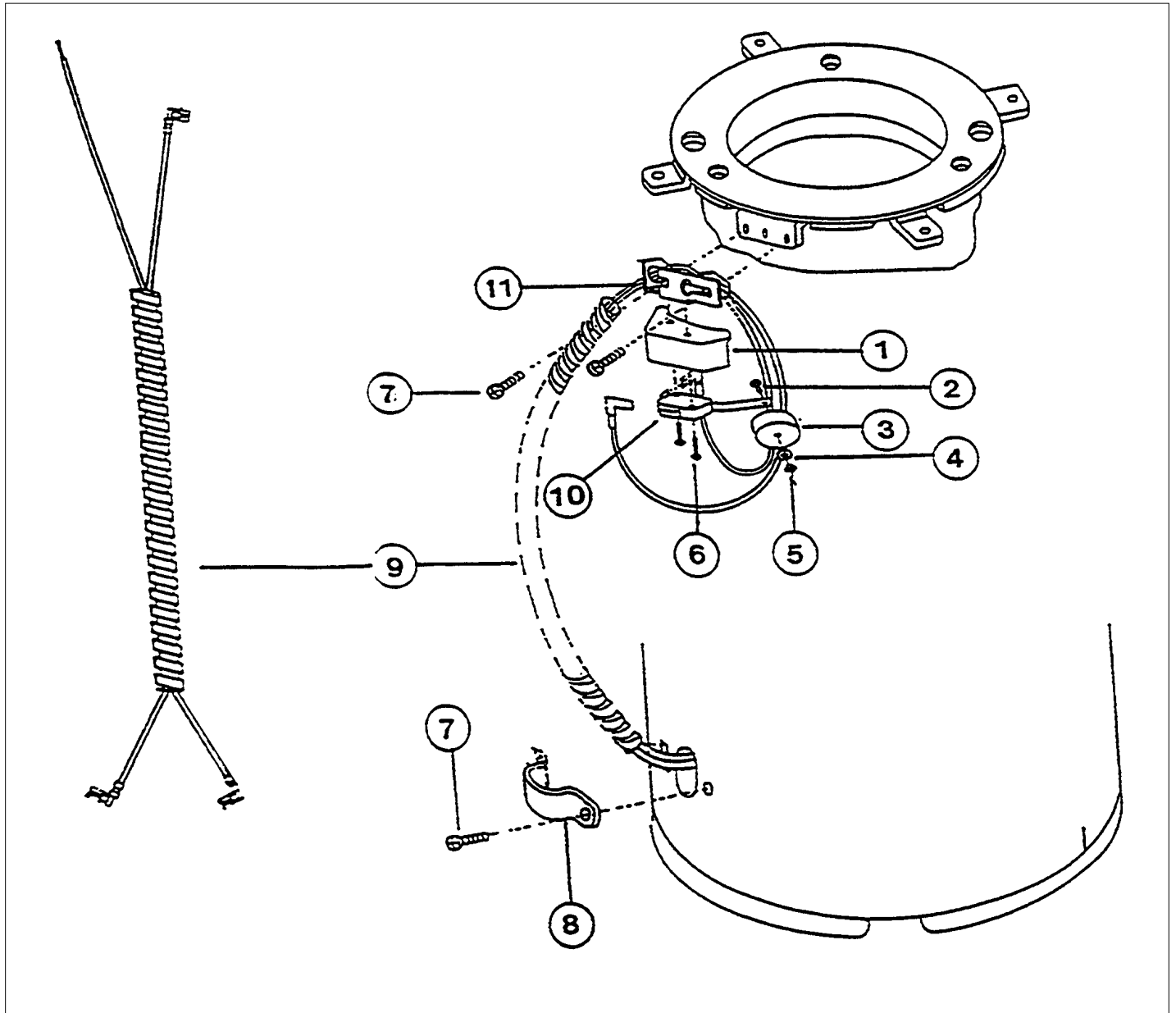
END BELL ASSY





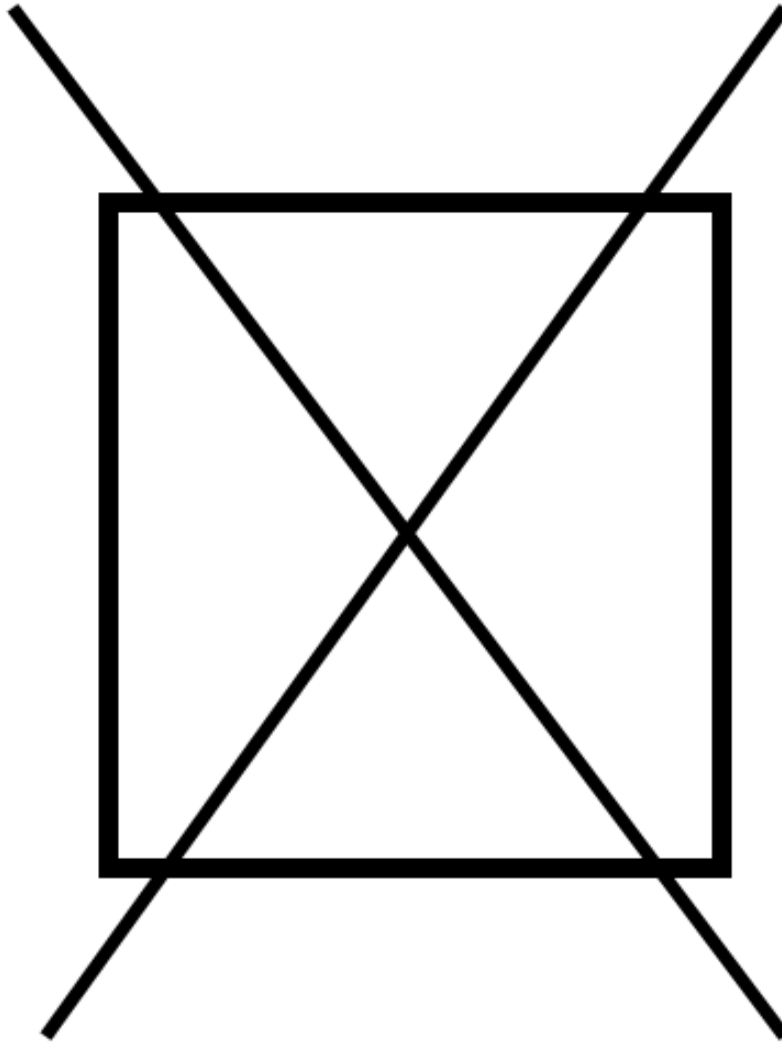
| Item | Part No. | Name                                    | Qty | Uom | NOTES   |
|------|----------|---|-----|-----|---|
| 1    | PE050012 | RELAY, REV.ASSY -DISPOSAL<br>113657-5   | 1   | EA  |   |
| 2    | PE070100 | CAPACITOR                               | 1   | EA  |   |
| 3    | PD030022 | CLIP, CAPACITOR RETR. -<br>DISPL.108871 | 1   | EA  | NO LONGER<br>AVAILABLE, Not<br>available online /<br>Call for pricing<br>and availability |
| 4    | PD020038 | SCREW-#10 X 3/8 HEX<br>WH.HD.T(F)GREEN  | 1   | EA  |   |
| 5    | PM010013 | END BELL & BEARING ASSY                 | 1   | EA  | NO LONGER<br>AVAILABLE  |
| 6    | PB070017 | BARRIER,ELECT.ENCL.-<br>DISPOSAL 115314 | 1   | EA  | NO LONGER<br>AVAILABLE, Not<br>available online /<br>Call for pricing<br>and availability |
| 7    | PD020026 | SCREW, DRIVE #6-32 X 5/16"<br>C.REC. T  | 1   | EA  | NO LONGER<br>AVAILABLE, Not<br>available online /<br>Call for pricing<br>and availability |
| 8    | PE070091 | PROTECTOR, OVERHEAT-<br>MANUAL - DISP.  | 1   | EA  | NO LONGER<br>AVAILABLE  |
| 9    | PD020023 | SCREW, PROTECTOR -<br>DISPOSAL 278497   | 1   | EA  | NO LONGER<br>AVAILABLE  |
| 10   | PD020025 | SCREW, DRIVE #6-32 X 1" PAN<br>C.REC.T  | 1   | EA  | NO LONGER<br>AVAILABLE  |
| 11   | G4001051 | BLACK WIRE LEAD - 4 1/2"                | 1   | EA  | Not available<br>online / Call for<br>pricing and<br>availability                         |
| 12   | G4001053 | LEAD WIRE ASSY - DISPL.<br>242515-134   | 1   | EA  | NO LONGER<br>AVAILABLE, Not<br>available online /<br>Call for pricing<br>and availability |

MICROSWITCH ASSY



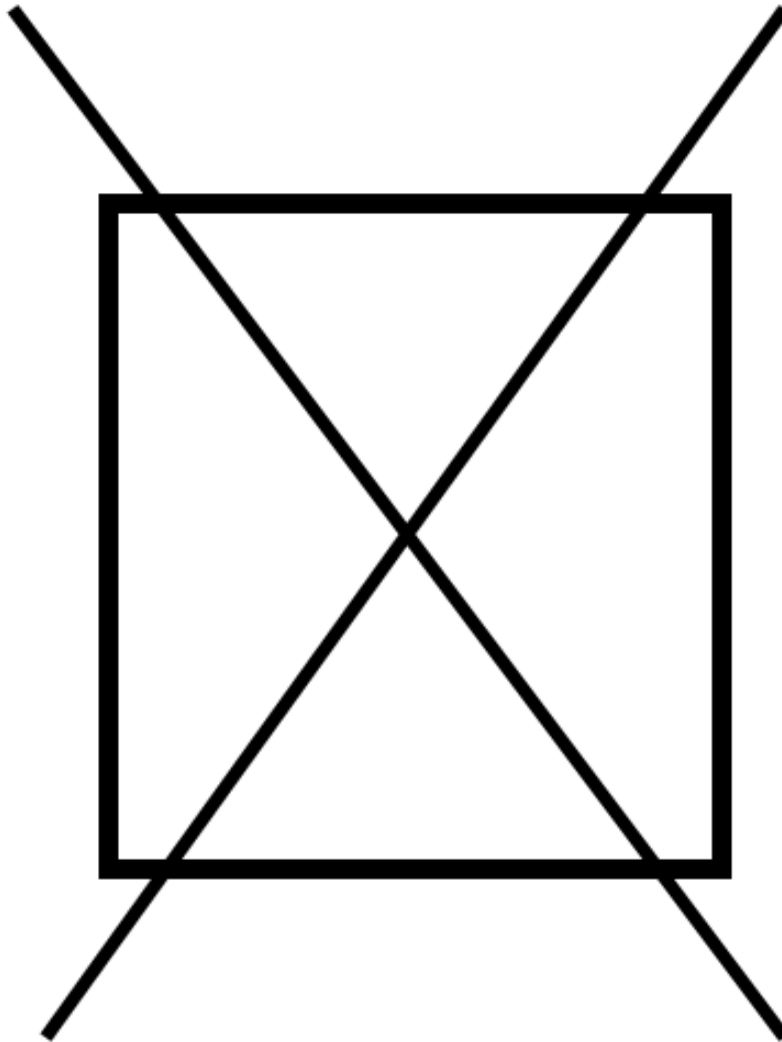
| Item | Part No.   | Name                                | Qty | Uom | NOTES   |
|------|------------|-------------------------------------|-----|-----|---|
| 1    | PP100012   | COVER, MICRO SWITCH - DISPOSAL      | 1   | EA  | NO LONGER AVAILABLE   |
| 2    | PD020034   | SCREW-#2-56 X 3/8" (#304) SS RD.HD  | 1   | EA  |   |
| 3    | PM010009   | MAGNET, PERMANENT-DISPOSAL 203909-2 | 1   | EA  |   |
| 4    | PD040019   | #2 (#304) *SS* FLAT WASHER          | 1   | EA  | NO LONGER AVAILABLE, Not available online / Call for pricing and availability |
| 5    | PD030030   | #2-56 (#304) SS HEX NUT             | 1   | EA  | NO LONGER AVAILABLE, Not available online / Call for pricing and availability |
| 6    | PD020029   | DRIVE SRW - #4-40 X 3/4T(F)PN.HD.CR | 1   | EA  | NO LONGER AVAILABLE   |
| 7    | PD020028   | SCREW, DRIVE #8-18 X 1/2" PAN C.REC | 1   | EA  |   |
| 8    | C9301039ZC | CLAMP, CONDUIT                      | 1   | EA  | NO LONGER AVAILABLE, Not available online / Call for pricing and availability |
| 9    | G3201040   | CONDUIT AND LEAD ASSEMBLY           | 1   | EA  | Not available online / Call for pricing and availability                      |
| 10   | PE070093   | SWITCH, MICRO - DISPOSAL 243028     | 1   | EA  | NO LONGER AVAILABLE   |
| 11   | C9301045ZC | SWITCH MOUNTING BRKT.               | 1   | EA  | NO LONGER AVAILABLE, Not available online / Call for pricing and availability |

NON  
ILLUSTRATED PART



| Item | Part No.   | Name                                    | Qty | Uom | NOTES   |
|------|------------|---|-----|-----|---|
| 1    | PK010001   | SINK FLANGE                             | 1   | EA  |   |
| 2    | PB070023   | SEAL, SINK FLANGE - DISPOSAL 201462     | 1   | EA  |   |
| NI   | PP100011   | GUARD, SPLASH - DISPOSAL 242095         | 1   | EA  |   |
| 3    | C9301036ZC | SUPT RING                               | 1   | EA  | NO LONGER AVAILABLE, Not available online / Call for pricing and availability |
| 4    | PD020020   | SCREW, ADJUSTING - DISPOSAL 114897      | 1   | EA  |   |
| 5    | PD020021   | SCREW, HOLD DOWN - DISPOSAL 114909      | 1   | EA  |   |
| 6    | C9301037ZC | PRESSURE WASHER                         | 1   | EA  |   |
| 7    | PD030023   | SNAP RING                               | 1   | EA  |   |
| 8    | PP100005   | CAP, VINYL RED - DISPOSAL 115803        | 1   | EA  | NO LONGER AVAILABLE   |
| 9    | C9301038ZC | PRESSURE PLATE                          | 1   | EA  | NO LONGER AVAILABLE   |
| 10   | PB070016   | RING SEAL                               | 1   | EA  |   |
| 11   | PK010005   | UPPER HOUSING - CONTINUOUS FEED         | 1   | EA  | Not available online / Call for pricing and availability                      |
| 12   | PD030027   | NUT, HEX JAM #5/8-18 - DISP,NS-17-41    | 1   | EA  | NO LONGER AVAILABLE   |
| 13   | PD030024   | NYLON NUT LOCK                          | 1   | EA  | Not available online / Call for pricing and availability                      |
| 14   | PD040016   | WASHER, UPPER THRUST - DISPL.202734     | 1   | EA  | NO LONGER AVAILABLE, Not available online / Call for pricing and availability |
| 15   | PM010010   | KEY, SQUARE MACHINE-DISPOSAL 240509     | 1   | EA  | NO LONGER AVAILABLE   |
| 16   | PC070009   | FLYWHEEL,ZINC/SS CUTR-MACH.(242556)     | 1   | EA  | NO LONGER AVAILABLE   |
| 17   | PB070024   | SEAL, TRIPLE LIP - DISPOSAL 201469      | 1   | EA  | NO LONGER AVAILABLE   |
| 18   | PM010006   | NLA - FELT, LUBRICANT - DISPOSAL 115805 | 1   | EA  |   |
| 19   | PB070025   | SEAL, SLEEVE - DISPOSAL 202927          | 1   | EA  | NO LONGER AVAILABLE   |

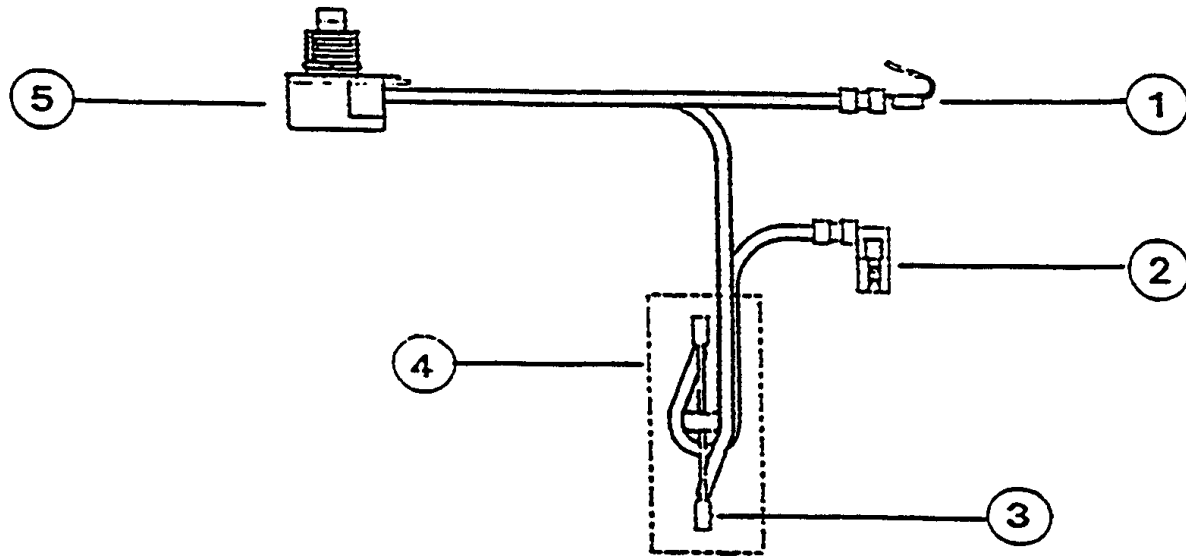
# NON ILLUSTRATED PART



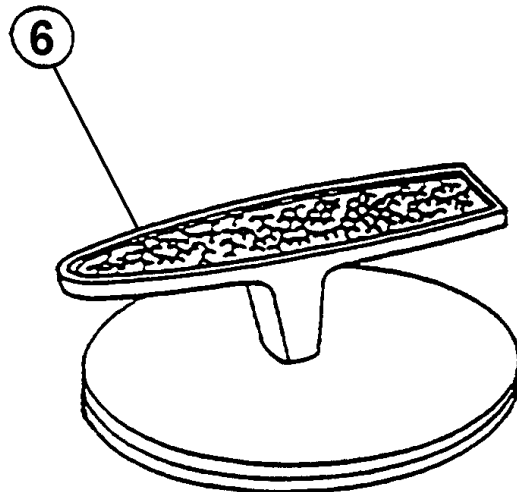


| Item | Part No. | Name                                | Qty | Uom | NOTES  |
|------|----------|-------------------------------------|-----|-----|--|
| 20   | PB070022 | O-RING - DISPOSAL 201444            | 1   | EA  | NO LONGER AVAILABLE                                      |
| 21   | PD040015 | WASHER, WEAR - DISPOSAL 202732      | 1   | EA  |  |
| 22   | J1006346 | FELT WIPER (.750 SHAFT)             | 1   | EA  | NO LONGER AVAILABLE                                      |
| 23   | PB010001 | DUAL THERMAL VALVE                  | 1   | EA  |  |
| 24   | PC070011 | CAST IRON HOUSING                   | 1   | EA  | Not available online / Call for pricing and availability |
| 25   | PD040018 | WASHER -.763 X .963 X.035 NYLON PL. | 1   | EA  | NO LONGER AVAILABLE                                      |
| 26   | PC010003 | WASHER, WAVY - DISPOSAL 115461      | 1   | EA  | NO LONGER AVAILABLE                                      |
| 27   | PD040017 | WASHER -.757 X .963 X .035 STL.PL.  | 1   | EA  | NO LONGER AVAILABLE                                      |
| 28   | PE070105 | ROTOR, ASSY KW - DISPOSAL 22275-23  | 1   | EA  | NO LONGER AVAILABLE                                      |
| NI   | FM201036 | SUPPORT RING                        | 1   | EA  | Not available online / Call for pricing and availability |

SWITCH AND DIODE ASSY



**FOOD WASTE DISPOSERS COVER ASSEMBLIES**





| Item         | Part No. | Name                                    | Qty | Uom | NOTES   |
|--------------|----------|---|-----|-----|---|
| 1            | PE070097 | TERMINAL, FLAG - DISPOSAL<br>65890-64   | 1   | EA  | NO LONGER<br>AVAILABLE, Not<br>available online /<br>Call for pricing<br>and availability |
| 2            | G4001054 | WIRE LEAD ASSEMBLY                      | 1   | EA  | Not available<br>online / Call for<br>pricing and<br>availability                         |
| 3            | PE070098 | CONNECTOR, STRAIGHT-<br>DISPOSAL 65890- | 1   | EA  | NO LONGER<br>AVAILABLE, Not<br>available online /<br>Call for pricing<br>and availability |
| 4            | PE070106 | SHRINK TUBING-.5 ID X.007<br>POLYESTER  | 1   | EA  | NO LONGER<br>AVAILABLE, Not<br>available online /<br>Call for pricing<br>and availability |
| 5            | PE070102 | SUB TO G3201062                         | 1   | EA  | NO LONGER<br>AVAILABLE, Not<br>available online /<br>Call for pricing<br>and availability |
| NI           | PE070087 | HIGH VOLTAGE RECTIFIER                  | 1   | EA  | Not available<br>online / Call for<br>pricing and<br>availability                         |
| NI           | PE070099 | TERMINAL, FLAG - DISPOSAL<br>65890-9    | 1   | EA  | NO LONGER<br>AVAILABLE, Not<br>available online /<br>Call for pricing<br>and availability |
| NI           | G3201062 | SWITCH & DIODE ASSY                     | 1   | EA  |   |
| 6            | G5002396 | TOP CAP ASSY (VIKING-<br>CONT.)         | 1   | EA  |   |
| Not<br>Shown | G5002398 | CONTINUOUS FEED COVER<br>ASSY (U-LINE)  | 1   | EA  |   |



Appendix A:Pages Index

DISPOSER ASSY ..... 1  
END BELL ASSY ..... 2  
MICROSWITCH ASSY ..... 3  
SINK FLANGE ASSY ..... 4  
SWITCH AND DIODE ASSY ..... 5



Appendix B:Parts Index

|            |      |          |      |
|------------|------|----------|------|
| C9301036ZC | 4    | PD020027 | 1    |
| C9301037ZC | 4    | PD020028 | 3    |
| C9301038ZC | 4    | PD020029 | 3    |
| C9301039ZC | 3    | PD020030 | 1    |
| C9301043ZC | 1    | PD020034 | 1, 3 |
| C9301045ZC | 3    | PD020037 | 1    |
| FM201036   | 4    | PD020038 | 2    |
| G3201040   | 3    | PD030008 | 1    |
| G3201048   | 1    | PD030022 | 2    |
| G3201062   | 5    | PD030023 | 4    |
| G4001051   | 2    | PD030024 | 4    |
| G4001053   | 2    | PD030027 | 4    |
| G4001054   | 5    | PD030030 | 3    |
| G5002396   | 5    | PD040015 | 4    |
| G5002398   | 5    | PD040016 | 4    |
| J1002321   | 1    | PD040017 | 4    |
| J1002322   | 1    | PD040018 | 4    |
| J1006346   | 4    | PD040019 | 3    |
| PB010001   | 4    | PE010023 | 1    |
| PB070016   | 4    | PE050012 | 2    |
| PB070017   | 2    | PE070087 | 5    |
| PB070018   | 1    | PE070091 | 2    |
| PB070019   | 1    | PE070093 | 3    |
| PB070020   | 1    | PE070097 | 5    |
| PB070021   | 1    | PE070098 | 5    |
| PB070022   | 4    | PE070099 | 5    |
| PB070023   | 4    | PE070100 | 2    |
| PB070024   | 4    | PE070102 | 5    |
| PB070025   | 4    | PE070105 | 4    |
| PB070033   | 1    | PE070106 | 5    |
| PC010003   | 4    | PK010001 | 4    |
| PC070008   | 1    | PK010005 | 1, 4 |
| PC070009   | 4    | PM010006 | 4    |
| PC070011   | 4    | PM010009 | 3    |
| PD010020   | 1    | PM010010 | 4    |
| PD020020   | 4    | PM010013 | 2    |
| PD020021   | 4    | PP100002 | 1    |
| PD020023   | 2    | PP100005 | 4    |
| PD020025   | 2    | PP100006 | 1    |
| PD020026   | 1, 2 | PP100010 | 1    |
|            |      | PP100011 | 4    |



PP100012 ..... 3