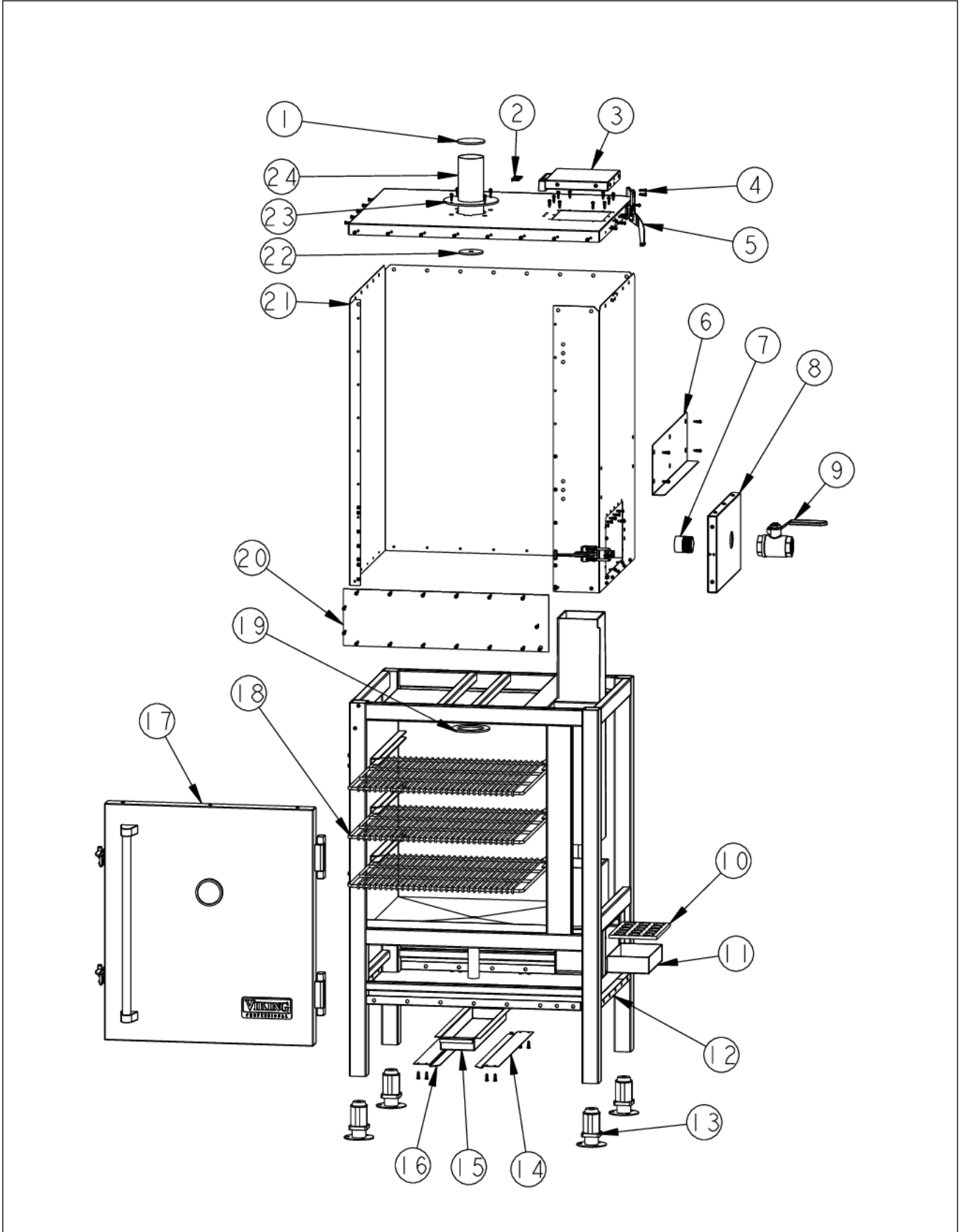


VCFS303

UNIT COMPONENTS	1
UNIT DOORS	2
Appendix A:Pages Index	A
Appendix B:Parts Index	B

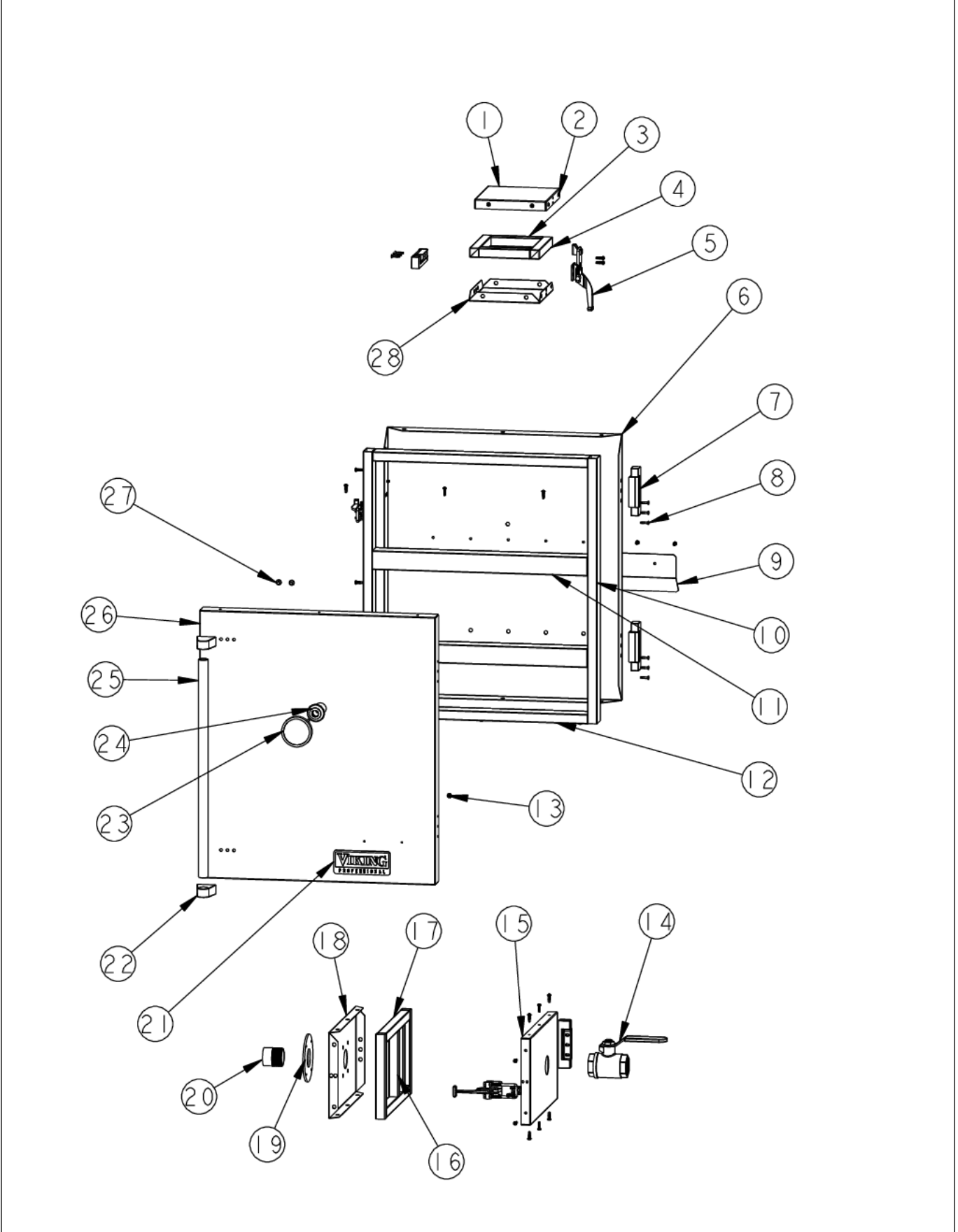
UNIT COMPONENTS



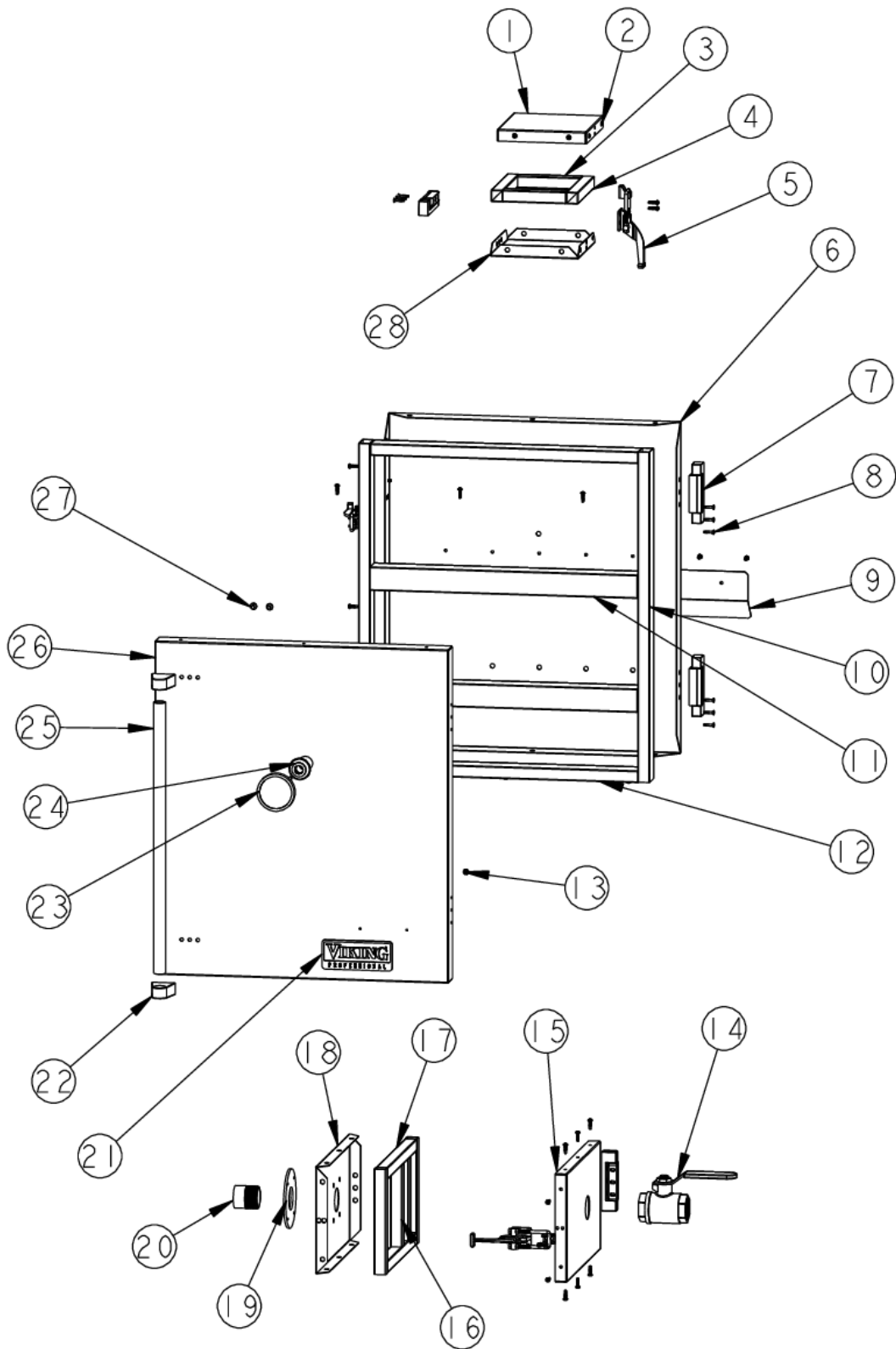


Item	Part No.	Name	Qty	Uom	NOTES
1	009837-000	SMOKE STACK COVER TOP	1	EA	
2	PD920174	10-32 TORX HEAD SCREW	3	EA	
3	011118-000	VCPS CHUTE DOOR ASM	1	EA	
4	010923-000	FASTENER, PH, PNH, #10X3/4" RUSBERT COATED TEX	140	EA	
5	007813-000	CLAMP, SMOKER	1	EA	
6	009814-000	HEAT SHIELD	1	EA	
7	010849-000	1 1/2" PIPE NIPPLE	1	EA	
8	011120-000	STUMP SMOKER ASH DOOR ASM	1	EA	
9	006941-000	BALL VALVE 1-1/2"	1	EA	
10	009688-000	CHAR-GRATE	1	EA	
11	010965-000	ASH PAN	1	EA	Not available online / Call for pricing and availability
12	008009-000	BOTTOM SKIN	1	EA	
13	009829-000	FOOT 2" SQUARE TUBING	4	EA	
14	009786-000	RH DRIP TRAY TRACK	1	EA	
15	009788-000	DRIP TRAY - NLA	1	EA	
16	009806-000	LH DRIP TRAY TRACK	1	EA	
17	011119-000	SMOKER MAIN DOOR ASM	1	EA	
18	010859-000	RACK, SMOKER	3	EA	
19	010569-000	SMOKE STACK RING	1	EA	
20	008008-000	SKIN, BOTTOM FRONT	1	EA	
21	011352-000	VCFS MAIN SKIN	1	EA	
22	009784-000	SMOKE STACK FLANGE	1	EA	
23	009863-000	STACK, SMOKE, GF221	1	EA	

UNIT DOORS



Item	Part No.	Name	Qty	Uom	NOTES
1	009780-000	OUTER CHUTE DOOR SKIN	1	EA	Not available online / Call for pricing and availability
2	010923-000	FASTENER, PH, PNH, #10X3/4" RUSBERT COATED TEX	41	EA	
3	010603-000	TUBING, CHUTE DOOR SIDE BRACE - NOT FIELD REPLACEABLE	2	EA	Not available online / Call for pricing and availability
4	010602-000	TUBING, CHUTE FRONT/ BK BRACE - NOT FIELD REPLACEABLE	2	EA	Not available online / Call for pricing and availability
5	007813-000	CLAMP, SMOKER	4	EA	
6	009777-000	MAIN INNER DOOR SKIN	1	EA	
7	009824-000	HINGE, ASM	4	EA	
8	PD920174	10-32 TORX HEAD SCREW	12	EA	
9	009803-000	DRIP FLANGE	1	EA	
10	010597-000	TUBING, VERTICAL MAIN DOOR - NOT FIELD REPLACEABLE	2	EA	Not available online / Call for pricing and availability
11	010599-000	TUBING, MAIN DOOR HORZ BRACE - NOT FIELD REPLACEABLE	2	EA	Not available online / Call for pricing and availability
12	010598-000	TUBING MAIN DOOR TOP/BTM BRACE - NOT FIELD REPLACEABLE	2	EA	Not available online / Call for pricing and availability
13	PD030006	CAPPED WASHER PAL NUT	2	EA	
14	006941-000	BALL VALVE 1-1/2"	1	EA	
15	009778-000	ASH DOOR OUTER SKIN	1	EA	
16	010607-000	TUBING, VERTICAL VALVE BRACE - NOT FIELD REPLACEABLE	2	EA	Not available online / Call for pricing and availability
17	011015-000	FRAME, DOOR, INR, ASH BOX	1	EA	Not available online / Call for pricing and availability
18	009779-000	ASH DOOR SKIN INNER	1	EA	
19	009839-000	FLANGE, ASH BOX VALVE PIPE	1	EA	
20	010849-000	1 1/2" PIPE NIPPLE	1	EA	





Item	Part No.	Name	Qty	Uom	NOTES
21	PE010030	LOGO	1	EA	
22	000268-000	HANDLE ENDCAP	2	EA	
23	007913-000	SMOKER THERMOMETER	1	EA	
24	007822-000	1/2" PIPE FLANGE	1	EA	
25	010617-000	HANDLE, SMOKER DOOR	1	EA	
26	009776-000	MAIN OUTER DOOR SKIN	1	EA	
27	PD010019	BLT-1/4-20X3/8"HEX WASHER SERATED	4	EA	
28	009781-000	INNER CHUTE DOOR SKIN	1	EA	Not available online / Call for pricing and availability
NI	011015-000	FRAME, DOOR, INR, ASH BOX	1	EA	Not available online / Call for pricing and availability



Appendix A:Pages Index

UNIT COMPONENTS 1
UNIT DOORS 2



Appendix B:Parts Index

000268-000	2	011120-000	1
006941-000	1, 2	011352-000	1
007813-000	1, 2	PD010019	2
007822-000	2	PD030006	2
007913-000	2	PD920174	1, 2
008008-000	1	PE010030	2
008009-000	1		
009688-000	1		
009776-000	2		
009777-000	2		
009778-000	2		
009779-000	2		
009780-000	2		
009781-000	2		
009784-000	1		
009786-000	1		
009788-000	1		
009803-000	2		
009806-000	1		
009814-000	1		
009824-000	2		
009829-000	1		
009837-000	1		
009839-000	2		
009863-000	1		
010569-000	1		
010597-000	2		
010598-000	2		
010599-000	2		
010602-000	2		
010603-000	2		
010607-000	2		
010617-000	2		
010849-000	1, 2		
010859-000	1		
010923-000	1, 2		
010965-000	1		
011015-000	2, 2		
011118-000	1		
011119-000	1		