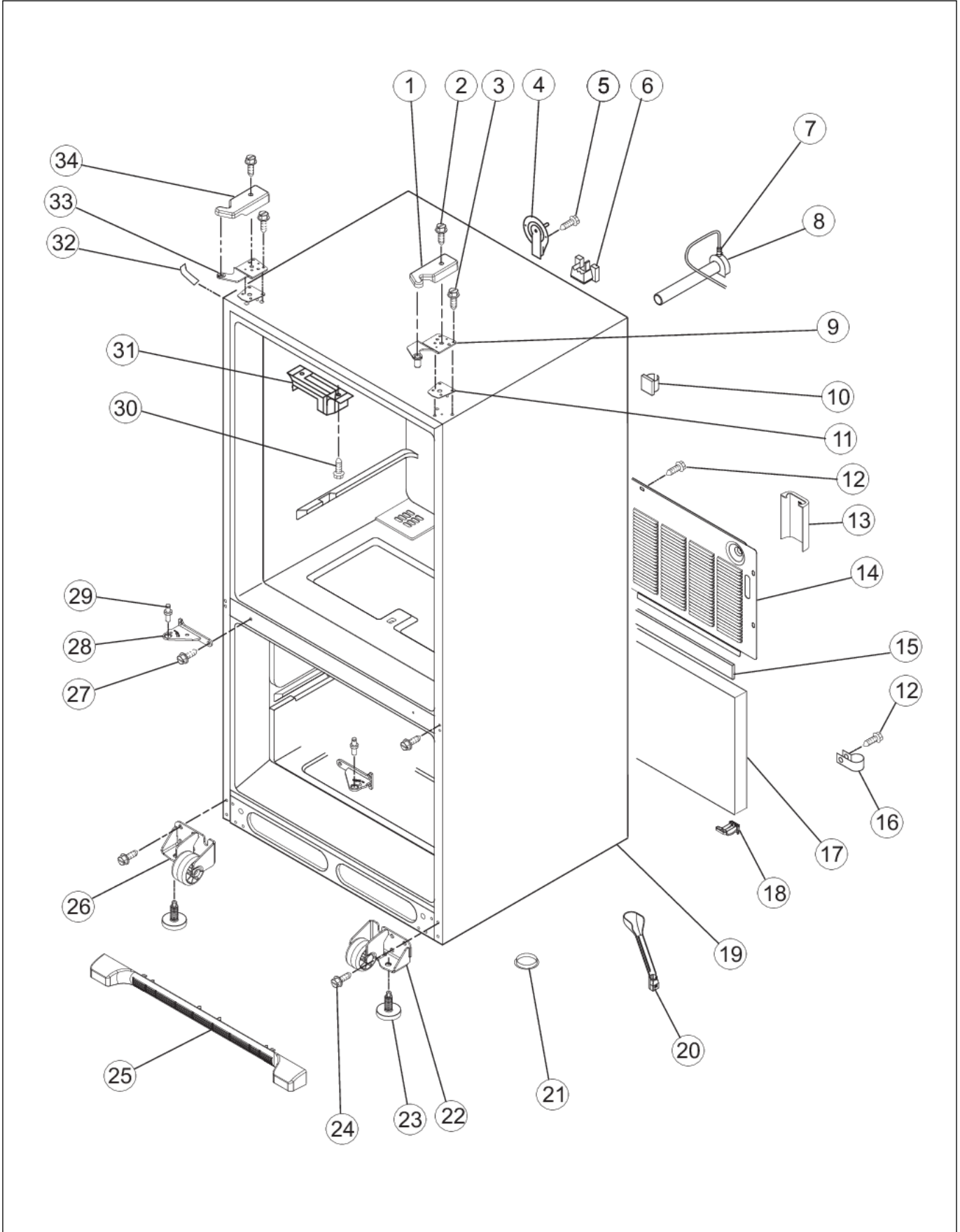


VCFF136SSS4

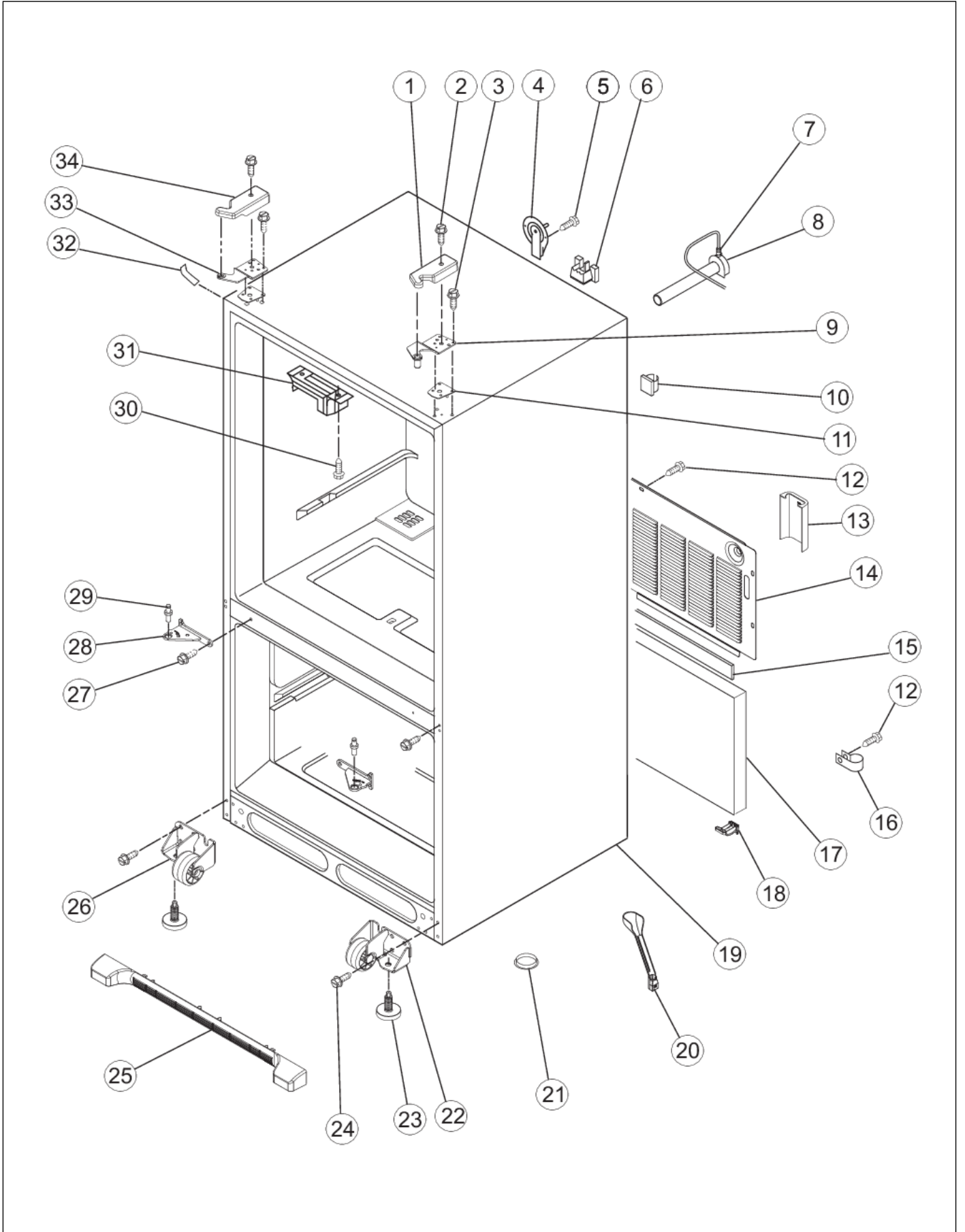
CABINET	1
FZ DOOR	2
FZ LINER	3
ICE MAKER AND WATER VALVE	4
REF DOOR	5
REF LINER	6
SHELF	7
UNIT P1	8
UNIT P2	9
Appendix A:Pages Index	A
Appendix B:Parts Index	B

CABINET





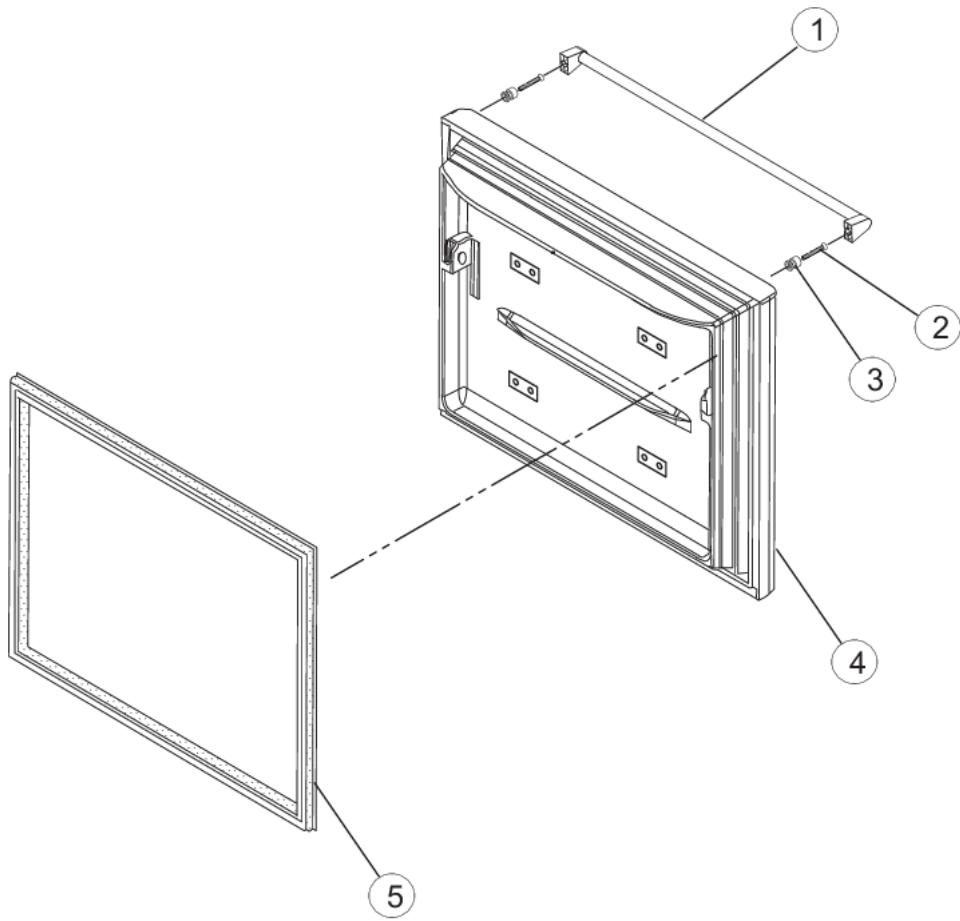
Item	Part No.	Name	Qty	Uom	NOTES
1	021452-000	COVER, RIGHT HINGE, APOLLO GREY	1	EA	
2	021734-000	SCREW	2	EA	
3	021733-000	SCREW	6	EA	
4	021685-000	COVER, WATER LINE	1	EA	Not available online / Call for pricing and availability
5	021711-000	SCREW	1	EA	
6	021688-000	BLOCK, FILL TUBE	1	EA	
7	021795-000	CLIP	1	EA	
8	PS400185	ELBOW, FILL TUBE	1	EA	
9	PS400006	HINGE, TOP RIGHT	1	EA	
10	PS400180	CLIP	2	EA	
11	PS400221	SHIM, HINGE	2	EA	
12	PS400129	SCREW, SMALL (67006425)	10	EA	
13	021820-000	COVER-WATER VALVE	1	EA	
14	021823-000	COVER, UNIT	1	EA	
15	021790-000	GASKET	1	EA	
16	021794-000	CLAMP, TUBE	1	EA	
17	021697-000	INSULATION, SOUND	1	EA	
18	021700-000	SWEEP, DUAL TUBE	1	EA	
19	NON-SERVICEABLE	CABINET	1	EA	
20	028580-000	P TRAP DRAIN	1	EA	
Comments for Part Num. 028580-000					
bradleysapplianceservice@shaw.ca on Dec 9, 2016					
028580-000 NEW STYLE P-TRAP DRAIN TUBE					
21	PS400097	PLUG, BUTTON	1	EA	
22	021847-000	ROLLER ASSY., FRONT RIGHT	1	EA	
23	011488-000	BRAKE, FOOT	1	EA	
24	021728-000	SCREW	8	EA	
25	PS400103	GRILLE, TOE, BLACK	1	EA	
26	021848-000	ROLLER ASSY., FRONT LEFT	1	EA	
27	021730-000	SCREW	6	EA	





Item	Part No.	Name	Qty	Uom	NOTES
28	020629-000	HINGE, CENTER, APOLLO GREY	2	EA	
29	021662-000	PIN, CENTER HINGE	2	EA	
30	021709-000	SCREW	2	EA	
31	021679-000	BLOCK, PIVOT	1	EA	
32	021403-000	COVER, CORNER, APOLLO GREY	2	EA	Not available online / Call for pricing and availability
33	021768-000	HINGE, TOP LEFT - SUBS TO PS400217	1	EA	
34	021916-000	COVER, LEFT HINGE, APOLLO GREY	1	EA	

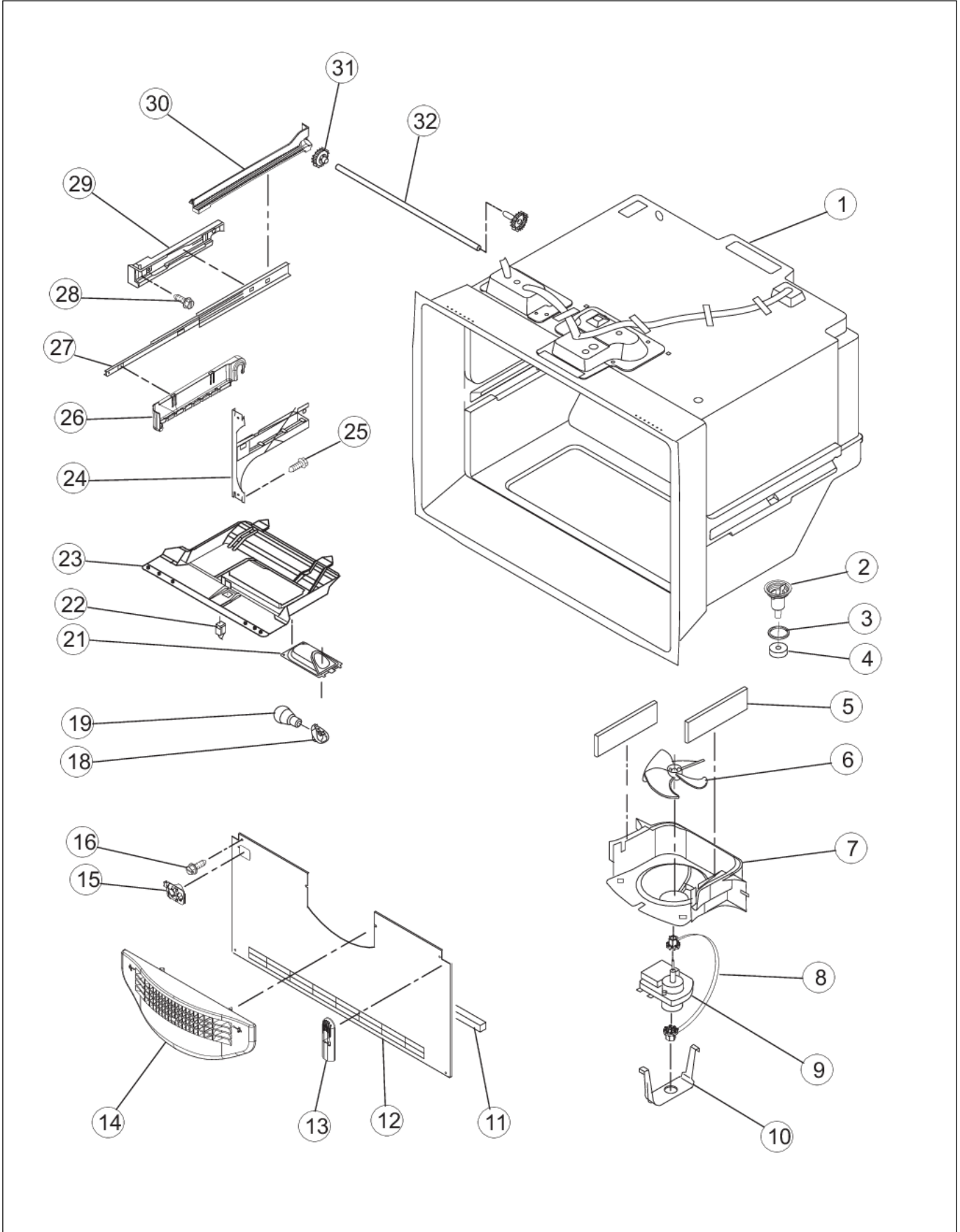
FZ DOOR



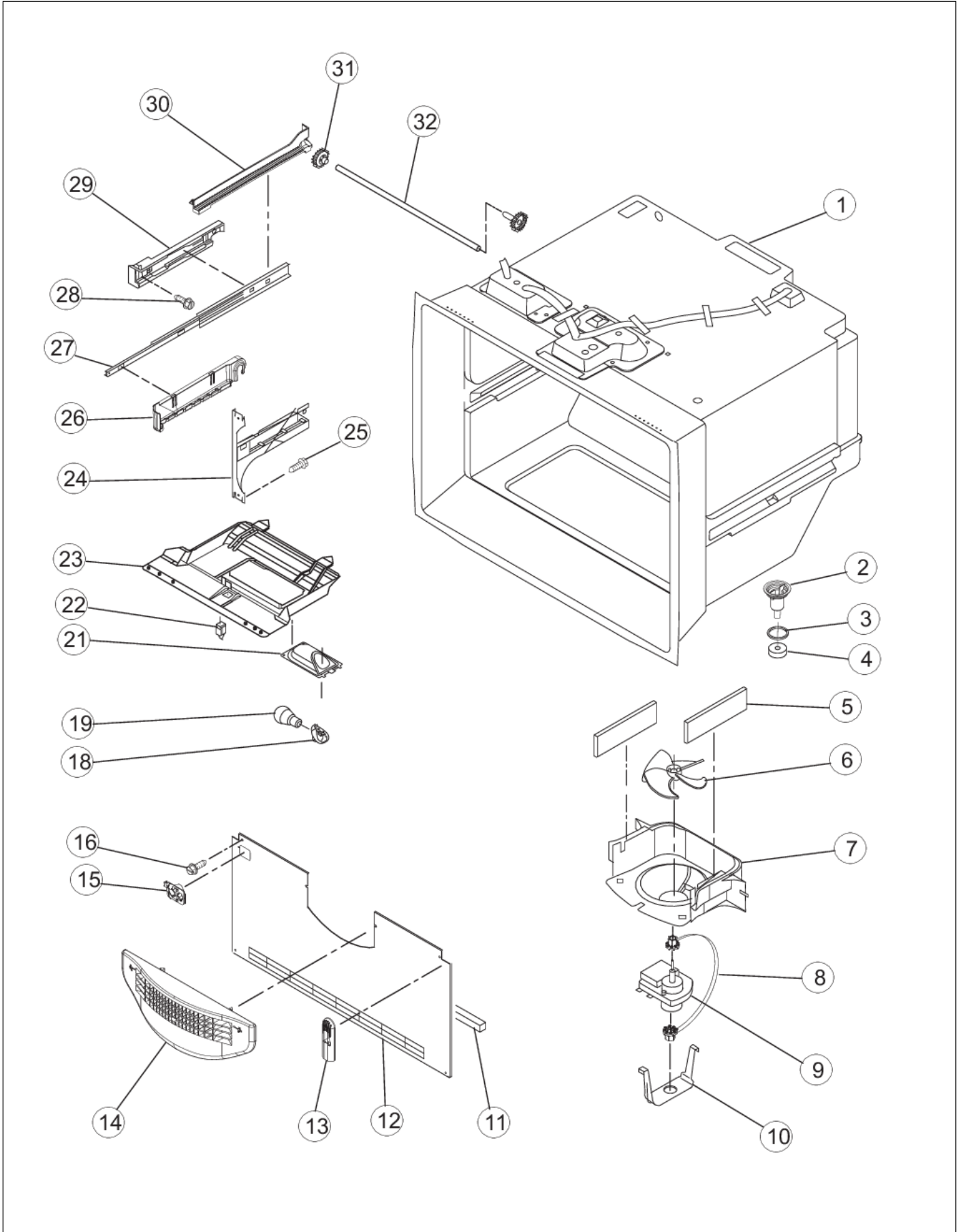


Item	Part No.	Name	Qty	Uom	NOTES
1	021610-000	HANDLE, STAINLESS STEEL	1	EA	
2	021918-000	SCREW	2	EA	
3	021567-000	STUD, HANDLE	2	EA	
4	022776-000	DOOR, FREEZER (SS)	1	EA	
5	021869-000	GASKET, FREEZER DOOR (APOLLO GREY)	1	EA	

FZ LINER



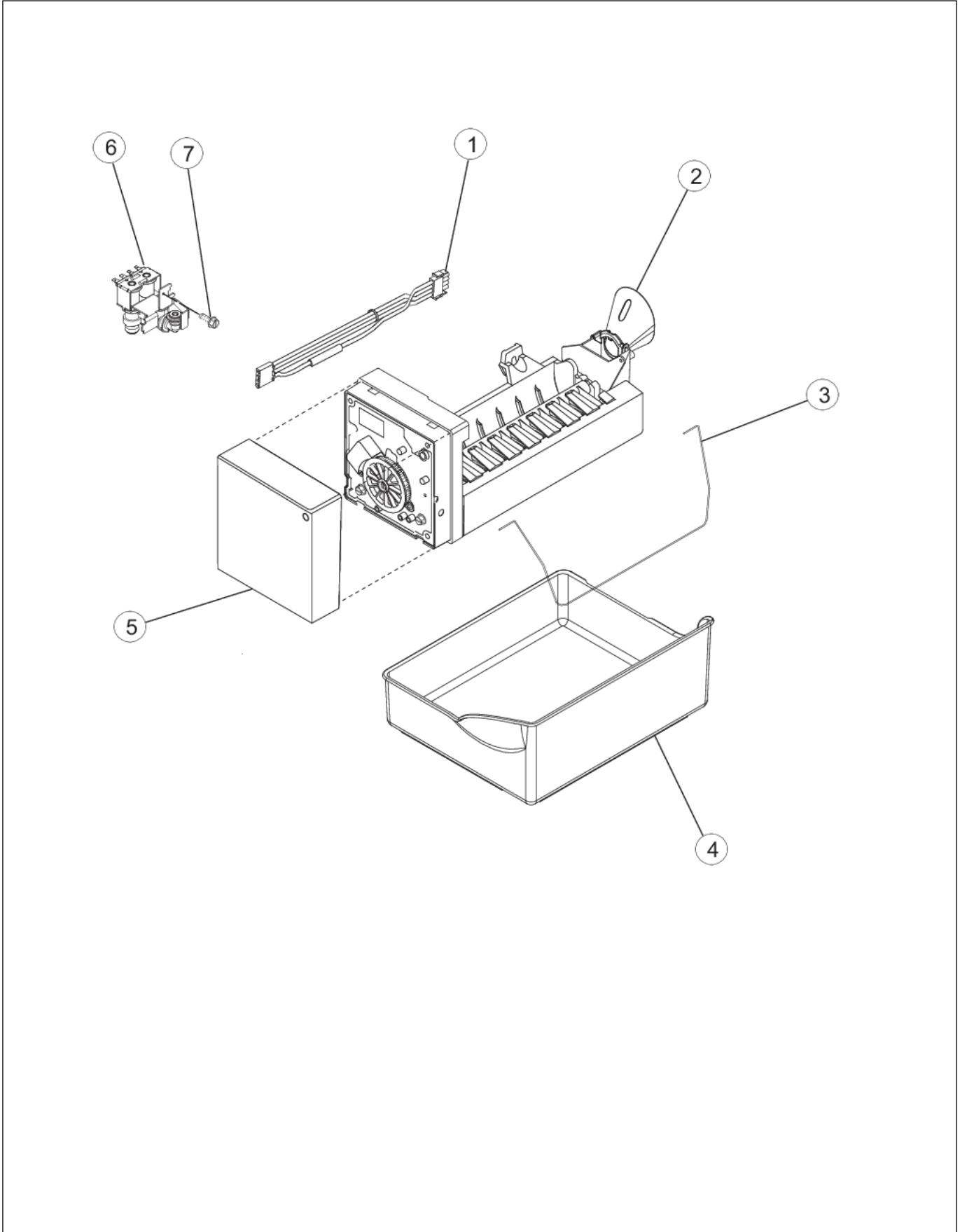
Item	Part No.	Name	Qty	Uom	NOTES
1	PS400091	SEAL, O-RING	1	EA	
2	PS400092	FUNNEL, DRAIN	1	EA	
3	PS400091	SEAL, O-RING	1	EA	
4	PS400090	GASKET, DRAIN TUBE	1	EA	
5	021787-000	GASKET, FOAM	1	EA	
6	021741-000	BLADE, FAN (EVAPORATOR)	1	EA	
7	021738-000	SHROUD, EVAPORATOR FAN	1	EA	
8	021804-000	GROMMET	1	EA	
9	021740-000	MOTOR, EVAPORATOR	1	EA	
10	021739-000	CLIP, EVAP MOTOR	1	EA	
11	021788-000	GASKET, FOAM	1	EA	
12	021874-000	COVER, EVAPORATOR	1	EA	
13	021696-000	COVER, THERMISTOR	1	EA	
14	021736-000	GRILLE, FZ AIR	1	EA	
15	021704-000	GUIDE, FILL TUBE	1	EA	
16	PS400129	SCREW, SMALL (67006425)	4	EA	
18	021765-000	SOCKET, LIGHT	1	EA	
19	021955-000	BULB, LIGHT	1	EA	
21	021934-000	FOIL-FZ LIGHT	1	EA	
22	021669-000	SWITCH, LIGHT	1	EA	
23	021932-000	MODULE, LIGHT	1	EA	
24	011500-000	BRACKET, DOOR, LEFT	1	EA	
NI	011501-000	BRACKET, DOOR, RIGHT	1	EA	
25	021724-000	SCREW	1	EA	
26	021849-000	CRADLE, BASKET, LEFT	1	EA	
NI	021850-000	CRADLE, BASKET, RIGHT	1	EA	
27	021737-000	SLIDE, DRAWER	1	EA	
28	021710-000	SCREW	6	EA	
29	021840-000	ADAPTER, SLIDE, LEFT	1	EA	
29	190896	Wedge	1	EA	
NI	021877-000	ADAPTER, SLIDE, RIGHT	1	EA	
30	021851-000	RACK-SIDE-LEFT	1	EA	
NI	021852-000	RACK-SLIDE, RIGHT	1	EA	





Item	Part No.	Name	Qty	Uom	NOTES
31	PS400010	GEAR (LH & RH)	2	EA	
32	021917-000	SHAFT, RACK	1	EA	

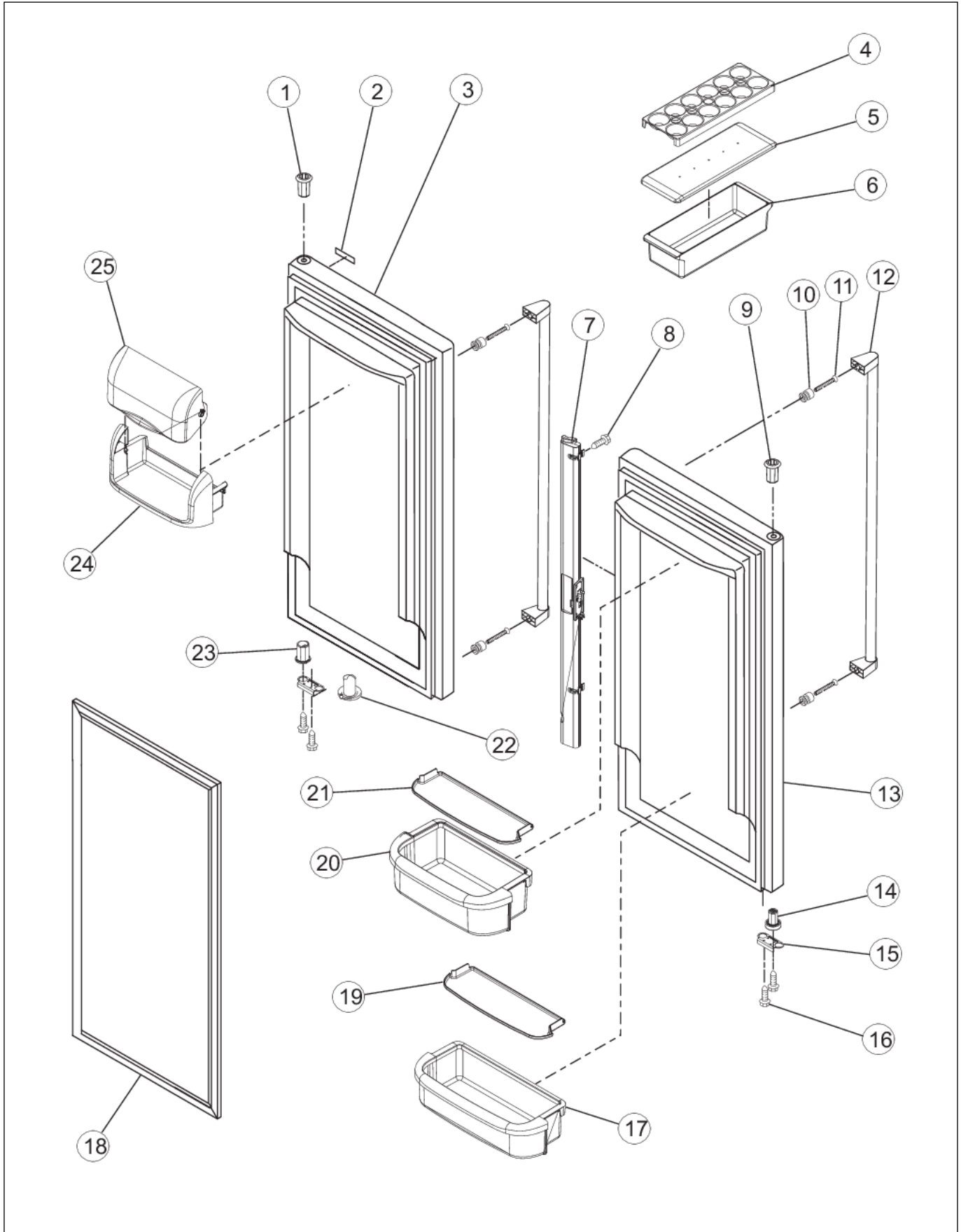
ICE MAKER AND WATER VALVE





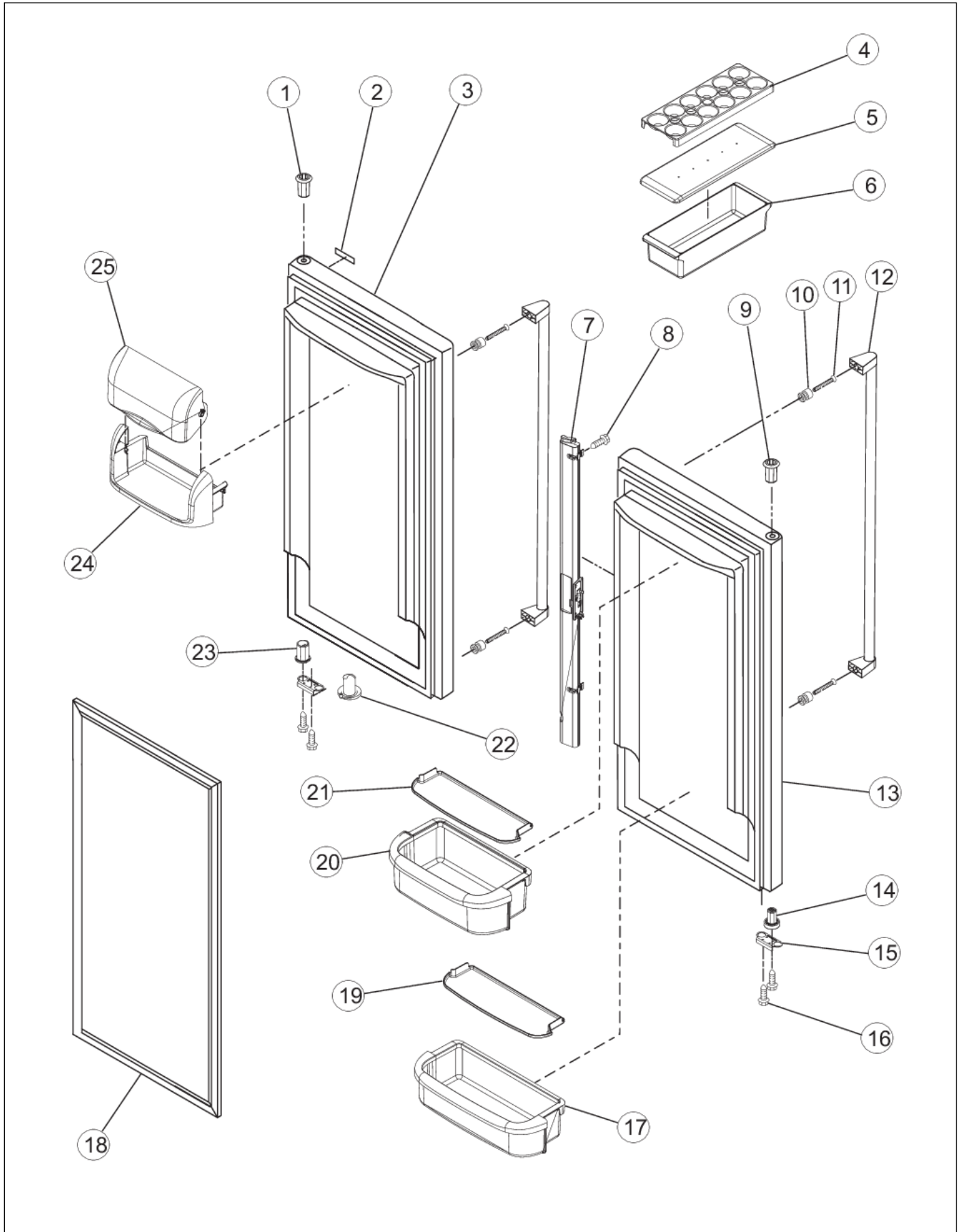
Item	Part No.	Name	Qty	Uom	NOTES
1	021793-000	HARNESS, ICE MAKER	1	EA	
2	021811-000	ICEMAKER ASSY	1	EA	
3	021931-000	ARM, SHUTOFF	1	EA	
4	017060-000	PAN, ICE	1	EA	
5	PS400368	COVER, ICE MAKER	1	EA	
6	021673-000	VALVE, WATER INLET	1	EA	
7	021729-000	SCREW	1	EA	

REF DOOR





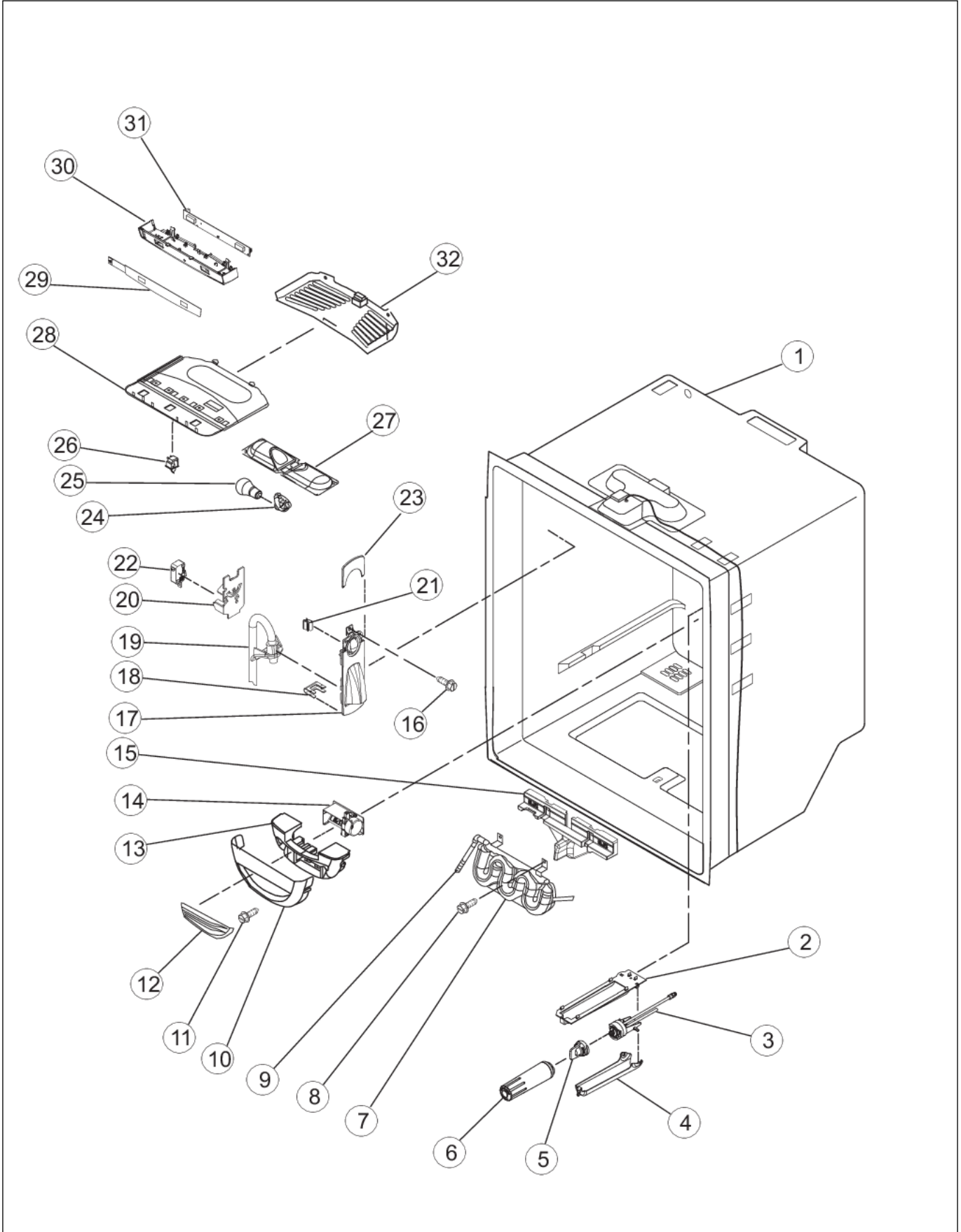
Item	Part No.	Name	Qty	Uom	NOTES
1	021859-000	BUSHING, DOOR, APOLLO GREY (UPPER RIGHT)	1	EA	
2	021569-000	NAMEPLATE (CONTACT VIKING)	1	EA	
3	022775-000	DOOR, RIGHT, STAINLESS	1	EA	
4	017162-000	TRAY, EGG	1	EA	
5	017098-000	LID, UTILITY	1	EA	NO LONGER AVAILABLE, Not available online / Call for pricing and availability
6	017097-000	BIN, UTILITY	1	EA	NO LONGER AVAILABLE, Not available online / Call for pricing and availability
7	021862-000	MULLION, DOOR, APOLLO GREY	1	EA	
8	021708-000	SCREW	1	EA	
9	021861-000	BUSHING, DOOR, APOLLO GREY (UPPER LEFT)	1	EA	
10	021567-000	STUD, HANDLE	4	EA	
11	021918-000	SCREW	4	EA	
12	021610-000	HANDLE, STAINLESS STEEL	2	EA	
13	022774-000	DOOR, REFRIGERATOR-LH (SS)	1	EA	
14	021774-000	BUSHING, DOOR (BOTTOM LEFT)	1	EA	
15	021856-000	STOP, DOOR, APOLLO GREY	2	EA	
16	021711-000	SCREW	4	EA	
17	PS400025	BUCKET, MEDIUM (W/GRIPPER) - SUBS TO 021701-000	3	EA	
18	021868-000	GASKET, DOOR, APOLLO GREY	2	EA	
19	021763-000	GRIPPER, MEDIUM BUCKET	1	EA	
20	021680-000	BIN, SHELF (GAL-W/GRIPPER)	2	EA	
21	021764-000	GRIPPER, GALLON BUCKET	1	EA	
22	021860-000	CLOSURE, DOOR, APOLLO GREY	2	EA	
23	021753-000	BUSHING, DOOR (BOTTOM RIGHT)	1	EA	





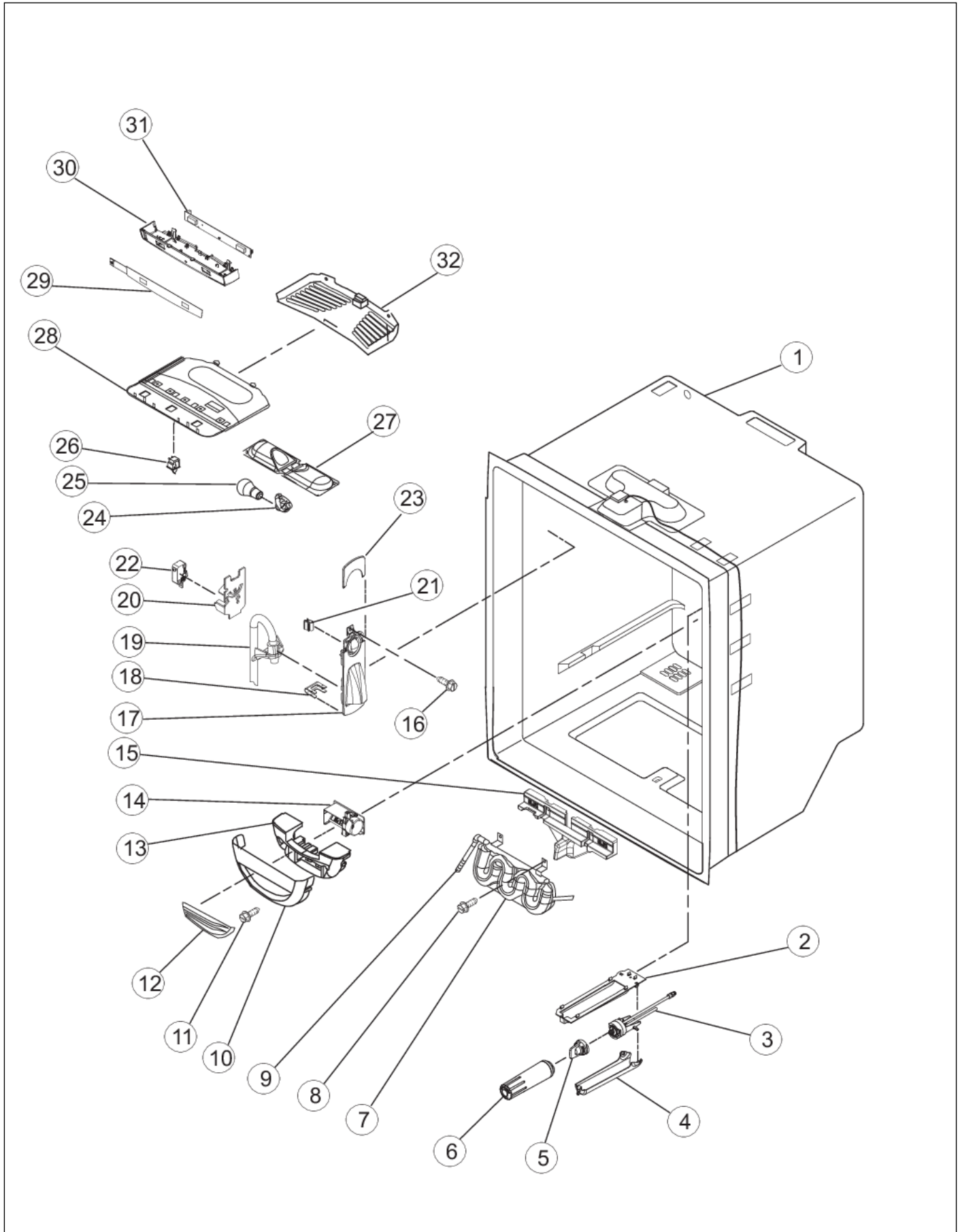
Item	Part No.	Name	Qty	Uom	NOTES
24	021758-000	TRAY, DAIRY	1	EA	
25	021780-000	DOOR, DAIRY	1	EA	
NI	CONTACT VIKING	DISH, BUTTER	1	EA	

REF LINER





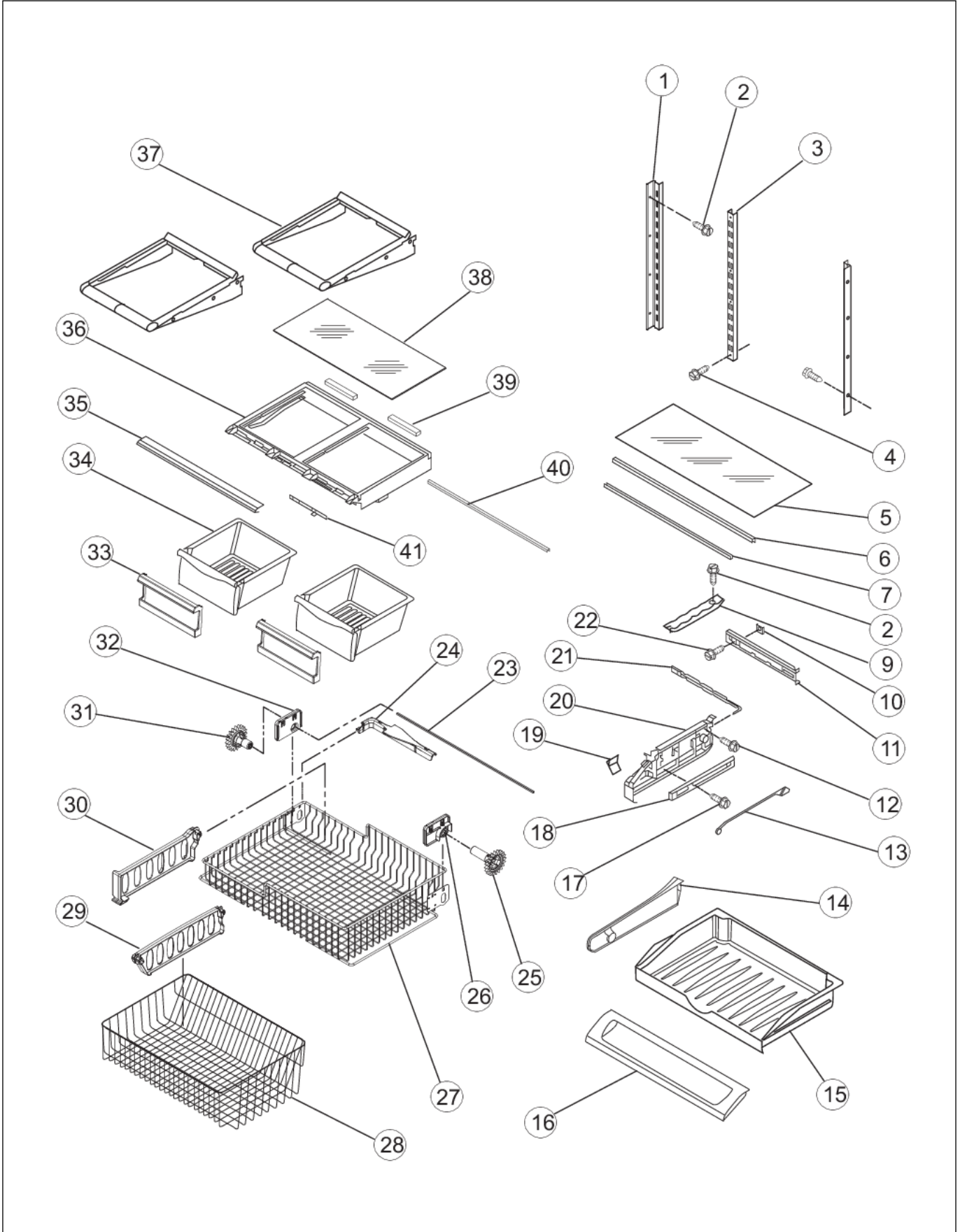
Item	Part No.	Name	Qty	Uom	NOTES
1	NON SERVICEABLE	REFRIGERATOR LINER	1	EA	
2	021681-000	PLATE	1	EA	
3	021674-000	HEAD, WATER FILTER	1	EA	
4	PS400031	COVER, FILTER	1	EA	
5	022157-000	PLUG, BYPASS	1	EA	
6	SALES ITEM	FILTER, WATER	1	EA	
7	021682-000	TANK, WATER	1	EA	
8	021717-000	SCREW	2	EA	
9	PS400040	UNION (5/16 X 5/16)	1	EA	
10	021694-000	COVER, DAMPER	1	EA	
11	021725-000	SCREW	1	EA	Not available online / Call for pricing and availability
12	021695-000	INSERT, DAMPER COVER	1	EA	
13	021735-000	INSULATION	1	EA	
14	021819-000	CONTROL, DAMPER	1	EA	
15	005401-000	INSULATION, WATER TANK	1	EA	
16	PS400129	SCREW, SMALL (67006425)	1	EA	
17	021775-000	FACADE, DISP.	1	EA	
18	PS400037	WATER LINE CLIP (67002816)	1	EA	
19	021776-000	GUIDE, WATERLINE	1	EA	
20	021777-000	PLATE, SWITCH	1	EA	
21	021791-000	CLIP, FAÇADE	2	EA	
22	PS400035	SWITCH, LIMIT	1	EA	
23	021683-000	FAÇADE, DISPENSER (TOP)	1	EA	
24	021765-000	SOCKET, LIGHT	2	EA	
25	021955-000	BULB, LIGHT	2	EA	
26	021792-000	SWITCH, LIGHT	2	EA	
27	021781-000	LIGHT HOUSING	1	EA	
28	021691-000	MODULE, LIGHT	1	EA	
29	021826-000	OVERLAY	1	EA	
30	021692-000	HOUSING, CONTROL	1	EA	
31	022952-000	CONTROL BOARD	1	EA	





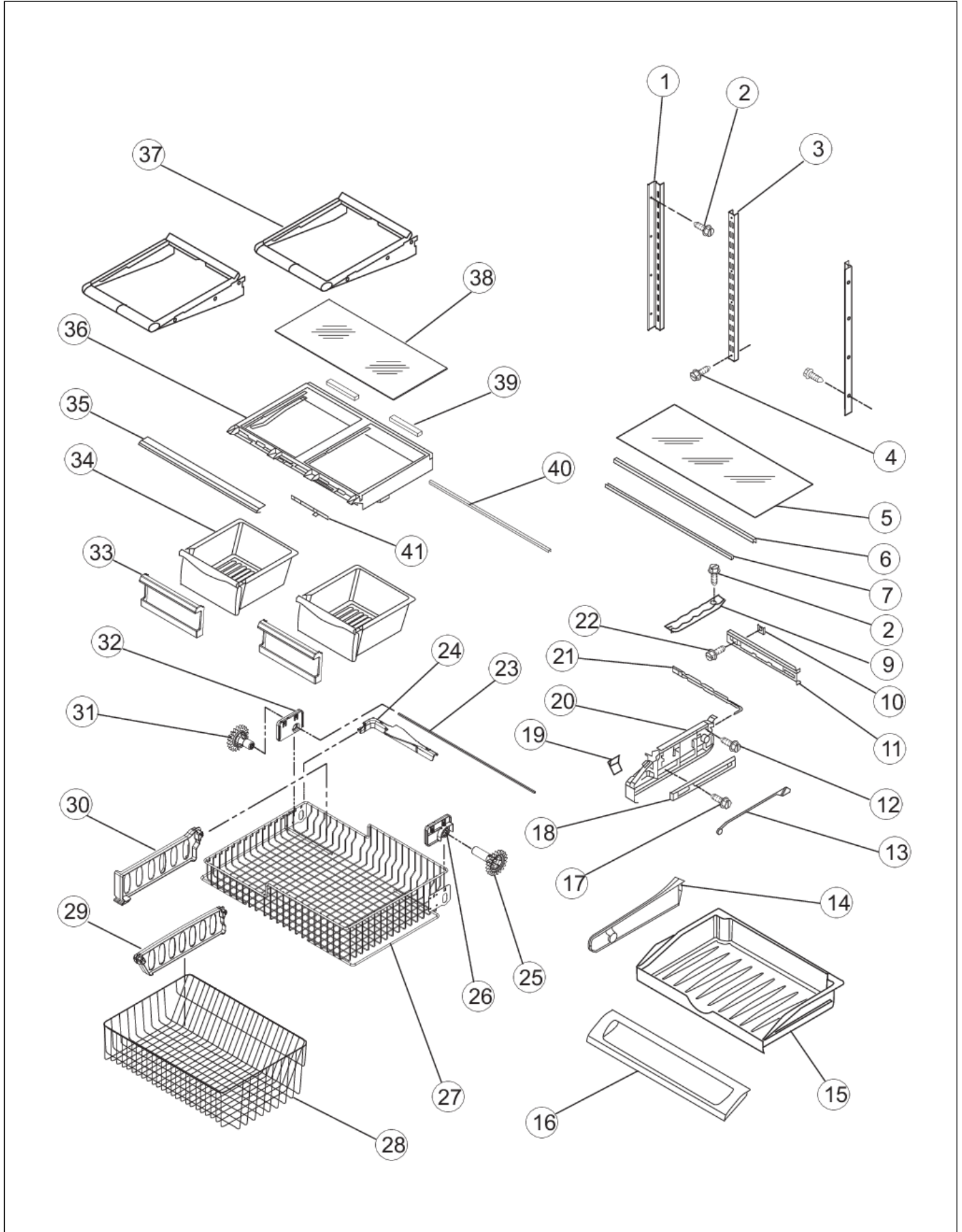
Item	Part No.	Name	Qty	Uom	NOTES
32	021693-000	COVER, LIGHT	1	EA	
NI	022840-000	HARNESS, CONTROL, REF. (INCLUDES THERMISTOR)	1	EA	

SHELF





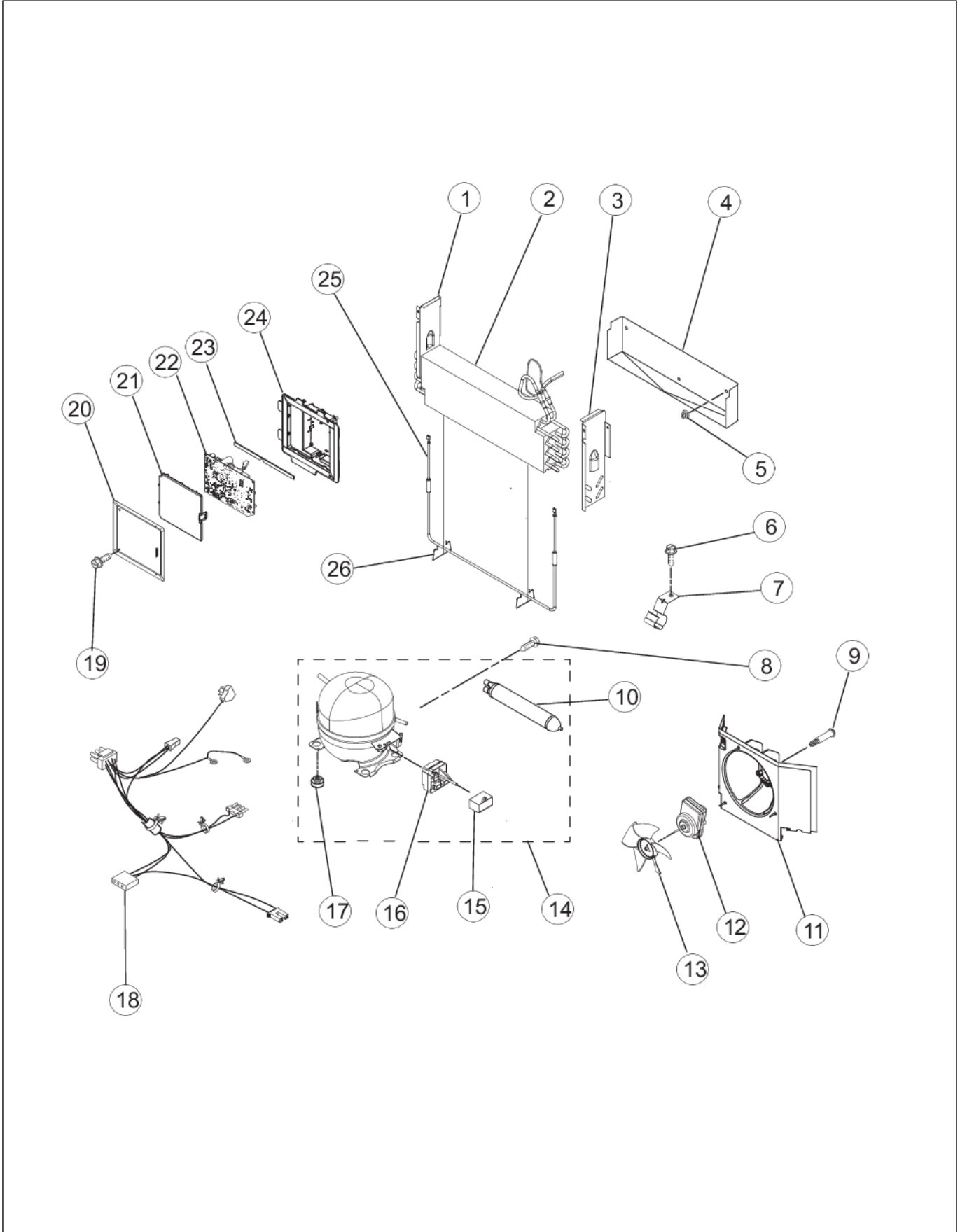
Item	Part No.	Name	Qty	Uom	NOTES
1	021838-000	LADDER, RH / LH	2	EA	Not available online / Call for pricing and availability
2	PS400129	SCREW, SMALL (67006425)	6	EA	
3	021846-000	LADDER, CENTER	1	EA	
4	021910-000	SCREW	2	EA	
5	021664-000	GLASS, PANTRY	1	EA	
6	021773-000	SUPPORT, PANTRY	2	EA	
7	021756-000	BRACE, PANTRY	2	EA	
9	021672-000	TRACK, PANTRY	1	EA	
10	021678-000	GASKET, PANTRY	1	EA	
11	021677-000	HOUSING, CONTROL	1	EA	
12	021717-000	SCREW	4	EA	
13	021675-000	ROD, TEMP CONTROL	1	EA	
14	021684-000	DIVIDER, PANTRY DRAWER	1	EA	
15	PS400087	DRAWER, PANTRY (67003530)	1	EA	
16	034508-000	DOOR, PANTRY DRAWER	1	EA	
17	021711-000	SCREW	4	EA	
18	021912-000	GLIDE, DRAWER	2	EA	
19	021771-000	KNOB, TEMP CONTROL	1	EA	
20	PS400076	END CAP, LH PANTRY	1	EA	
21	021676-000	SLIDE TEMPERATURE	4	EA	
22	PS400129	SCREW, SMALL (67006425)	1	EA	
23	021782-000	SHAFT-RACK	1	EA	
24	021801-000	LIFT-BALL ARM	1	EA	
25	021800-000	GEAR, LONG-RIGHT	1	EA	
26	021834-000	MOUNT-GEAR - RIGHT	1	EA	
27	021809-000	BASKET, FREEZER (UPPER)	1	EA	
28	021802-000	BASKET, FREEZER (LOWER)	1	EA	
29	021803-000	DIVIDER, LOWER BASKET	1	EA	
30	021837-000	DIVIDER, UPPER BASKET	1	EA	
31	021805-000	GEAR, SHORT-LEFT	1	EA	
32	021833-000	MOUNT-GEAR - LEFT	1	EA	





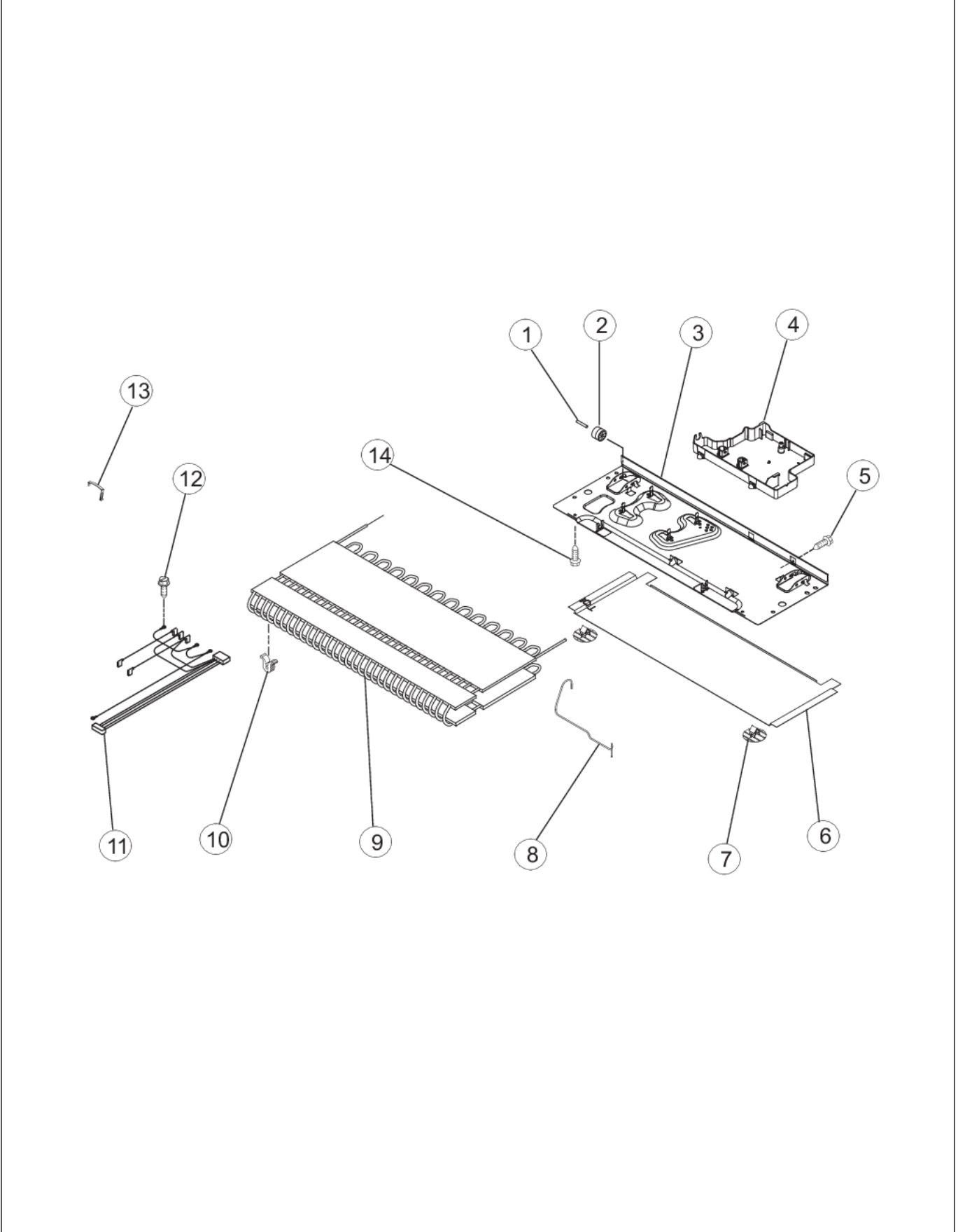
Item	Part No.	Name	Qty	Uom	NOTES
33	021778-000	FRONT, CRISPER PAN	1	EA	
34	021761-000	CRISPER PAN	2	EA	
Comments for Part Num. 021761-000					
bradleysapplianceservice@shaw.ca on Apr 6, 2019					
SUBS TO: PS400071 CRISPER PAN (FRONT NOT INCLUDED)					
35	021832-000	TRIM, CRISPER	1	EA	
36	021762-000	FRAME, CRISPER	1	EA	
37	021668-000	GLIDE, PANTRY DRAWER	4	EA	
38	PS400067	GLASS, CRISPER (67006655)	1	EA	
39	021857-000	GASKET	1	EA	
40	021755-000	BRACE, CRISPER	1	EA	
41	021760-000	SLIDE, HUMIDITY CONTROL	1	EA	
NI	PS400077	END CAP, RH PANTRY	1	EA	

UNIT P1



Item	Part No.	Name	Qty	Uom	NOTES
1	021666-000	DAM, RIGHT SIDE	1	EA	
2	PS400133	EVAPORATOR KIT (INC. EVAP, HT. SHLD, & INST.) (12002041)	1	EA	
3	021665-000	DAM, LEFT SIDE	1	EA	
4	021885-000	TRAY, DRIP	1	EA	
5	PS400124	CLIP, EVAPORATOR	1	EA	Not available online / Call for pricing and availability
6	021726-000	SCREW	1	EA	
7	022960-000	CLIP, DRIER	1	EA	
8	021731-000	SCREW	1	EA	
9	021824-000	SCREW, SHOULDER	1	EA	
10	021799-000	DRIER	1	EA	
11	021810-000	SHROUD	1	EA	
12	021893-000	MOTOR, FAN	1	EA	
13	021699-000	BLADE, FAN	1	EA	
14	021797-000	COMPRESSOR KIT	1	EA	
15	021661-000	CAPACITOR	1	EA	
16	021814-000	START DEVICE	1	EA	
17	021750-000	GROMMET	4	EA	
18	021835-000	HARNESS, UNIT WITH POWER CORD	1	EA	
19	021727-000	SCREW	1	EA	
20	021707-000	COVER-CONTROL BOX	1	EA	
21	021705-000	LID, HV BOX	1	EA	
22	022962-000	BOARD, CONTROL	1	EA	
23	021706-000	GASKET, HV BOX	1	EA	
24	021839-000	BOX, HV CONTROL	1	EA	
25	021687-000	HEATER, DEFROST	1	EA	
26	011548-000	CLIP, HEATER - SUBS TO 10428101	2	EA	
NI	011546-000	THERMOSTAT, DEFROST	1	EA	

UNIT P2





Item	Part No.	Name	Qty	Uom	NOTES
1	021671-000	AXLE, ROLLER	2	EA	
2	021670-000	ROLLER	2	EA	
3	021821-000	BASEPAN	1	EA	
4	021853-000	PAN, DRAIN	1	EA	
5	PS400129	SCREW, SMALL (67006425)	1	EA	
6	021817-000	EXTENSION - BASEPAN	1	EA	
7	021818-000	FASTENER - BASEPAN	2	EA	
8	021827-000	TUBE, DISCHARGE	1	EA	
9	021798-000	CONDENSER	1	EA	
10	011560-000	GROMMET, COND	4	EA	
11	021831-000	HARNESS, EVAP. HEATER	1	EA	
12	021731-000	SCREW	1	EA	
13	021815-000	STRAP - BALE	1	EA	
14	021743-000	SCREW	1	EA	



Appendix A:Pages Index

CABINET 1
FZ DOOR 2
FZ LINER 3
ICE MAKER AND WATER VALVE 4
REF DOOR 5
REF LINER 6
SHELF 7
UNIT P1 8
UNIT P2 9



Appendix B:Parts Index

005401-000	6	021687-000	8
011488-000	1	021688-000	1
011500-000	3	021691-000	6
011501-000	3	021692-000	6
011546-000	8	021693-000	6
011548-000	8	021694-000	6
011560-000	9	021695-000	6
017060-000	4	021696-000	3
017097-000	5	021697-000	1
017098-000	5	021699-000	8
017162-000	5	021700-000	1
020629-000	1	021704-000	3
021403-000	1	021705-000	8
021452-000	1	021706-000	8
021567-000	2, 5	021707-000	8
021569-000	5	021708-000	5
021610-000	2, 5	021709-000	1
021661-000	8	021710-000	3
021662-000	1	021711-000	1, 5, 7
021664-000	7	021717-000	6, 7
021665-000	8	021724-000	3
021666-000	8	021725-000	6
021668-000	7	021726-000	8
021669-000	3	021727-000	8
021670-000	9	021728-000	1
021671-000	9	021729-000	4
021672-000	7	021730-000	1
021673-000	4	021731-000	8, 9
021674-000	6	021733-000	1
021675-000	7	021734-000	1
021676-000	7	021735-000	6
021677-000	7	021736-000	3
021678-000	7	021737-000	3
021679-000	1	021738-000	3
021680-000	5	021739-000	3
021681-000	6	021740-000	3
021682-000	6	021741-000	3
021683-000	6	021743-000	9
021684-000	7	021750-000	8
021685-000	1	021753-000	5
		021755-000	7



021756-000	7	021817-000	9
021758-000	5	021818-000	9
021760-000	7	021819-000	6
021761-000	7	021820-000	1
021762-000	7	021821-000	9
021763-000	5	021823-000	1
021764-000	5	021824-000	8
021765-000	3, 6	021826-000	6
021768-000	1	021827-000	9
021771-000	7	021831-000	9
021773-000	7	021832-000	7
021774-000	5	021833-000	7
021775-000	6	021834-000	7
021776-000	6	021835-000	8
021777-000	6	021837-000	7
021778-000	7	021838-000	7
021780-000	5	021839-000	8
021781-000	6	021840-000	3
021782-000	7	021846-000	7
021787-000	3	021847-000	1
021788-000	3	021848-000	1
021790-000	1	021849-000	3
021791-000	6	021850-000	3
021792-000	6	021851-000	3
021793-000	4	021852-000	3
021794-000	1	021853-000	9
021795-000	1	021856-000	5
021797-000	8	021857-000	7
021798-000	9	021859-000	5
021799-000	8	021860-000	5
021800-000	7	021861-000	5
021801-000	7	021862-000	5
021802-000	7	021868-000	5
021803-000	7	021869-000	2
021804-000	3	021874-000	3
021805-000	7	021877-000	3
021809-000	7	021885-000	8
021810-000	8	021893-000	8
021811-000	4	021910-000	7
021814-000	8	021912-000	7
021815-000	9	021916-000	1



021917-000 3
021918-000 2, 5
021931-000 4
021932-000 3
021934-000 3
021955-000 3, 6
022157-000 6
022774-000 5
022775-000 5
022776-000 2
022840-000 6
022952-000 6
022960-000 8
022962-000 8
028580-000 1
034508-000 7
190896 3
PS400006 1
PS400010 3
PS400025 5
PS400031 6
PS400035 6
PS400037 6
PS400040 6
PS400067 7
PS400076 7
PS400077 7
PS400087 7
PS400090 3
PS400091 3, 3
PS400092 3
PS400097 1
PS400103 1
PS400124 8
PS400129 1, 3, 6, 7, 7, 9
PS400133 8
PS400180 1
PS400185 1
PS400221 1
PS400368 4