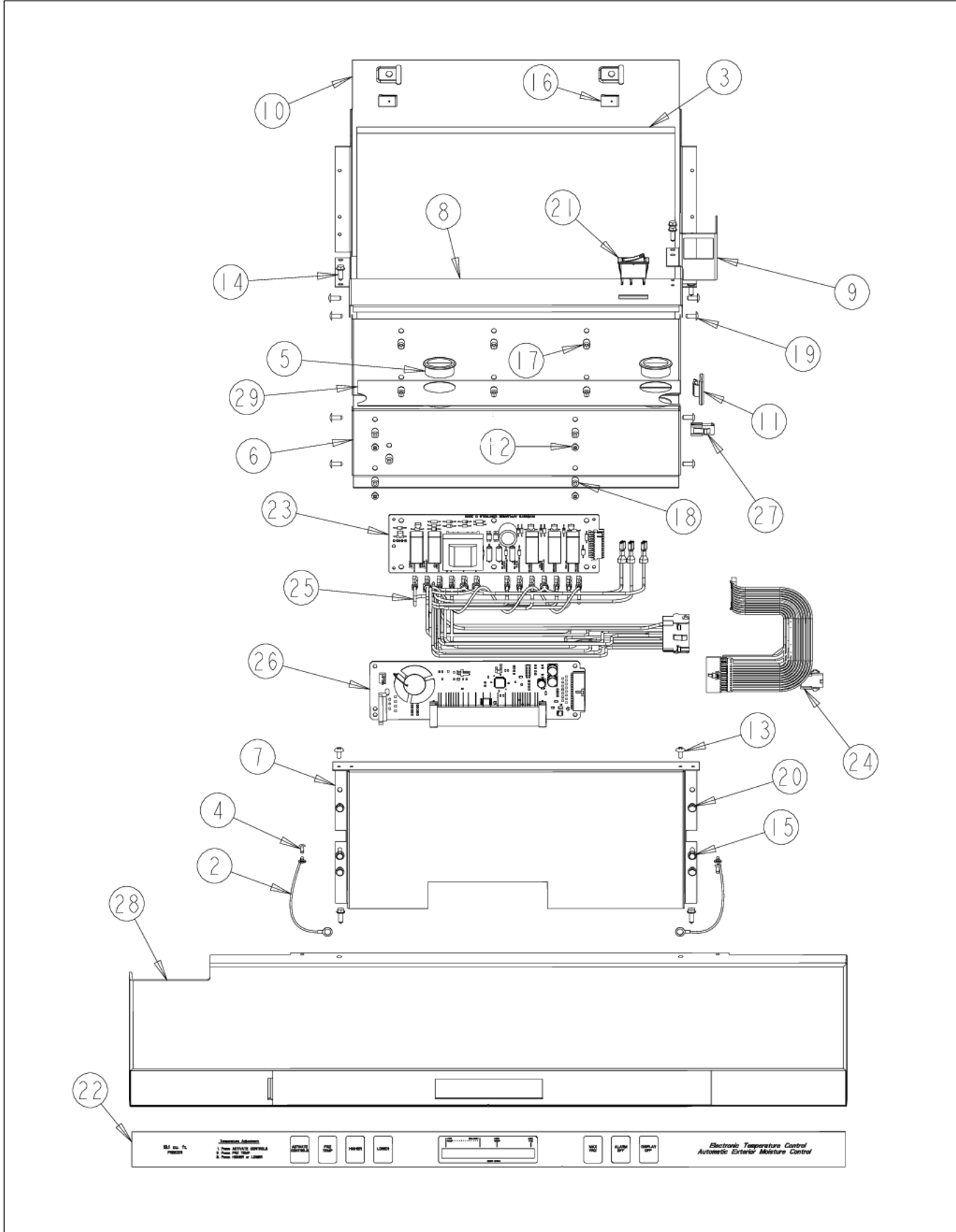


VCFB364

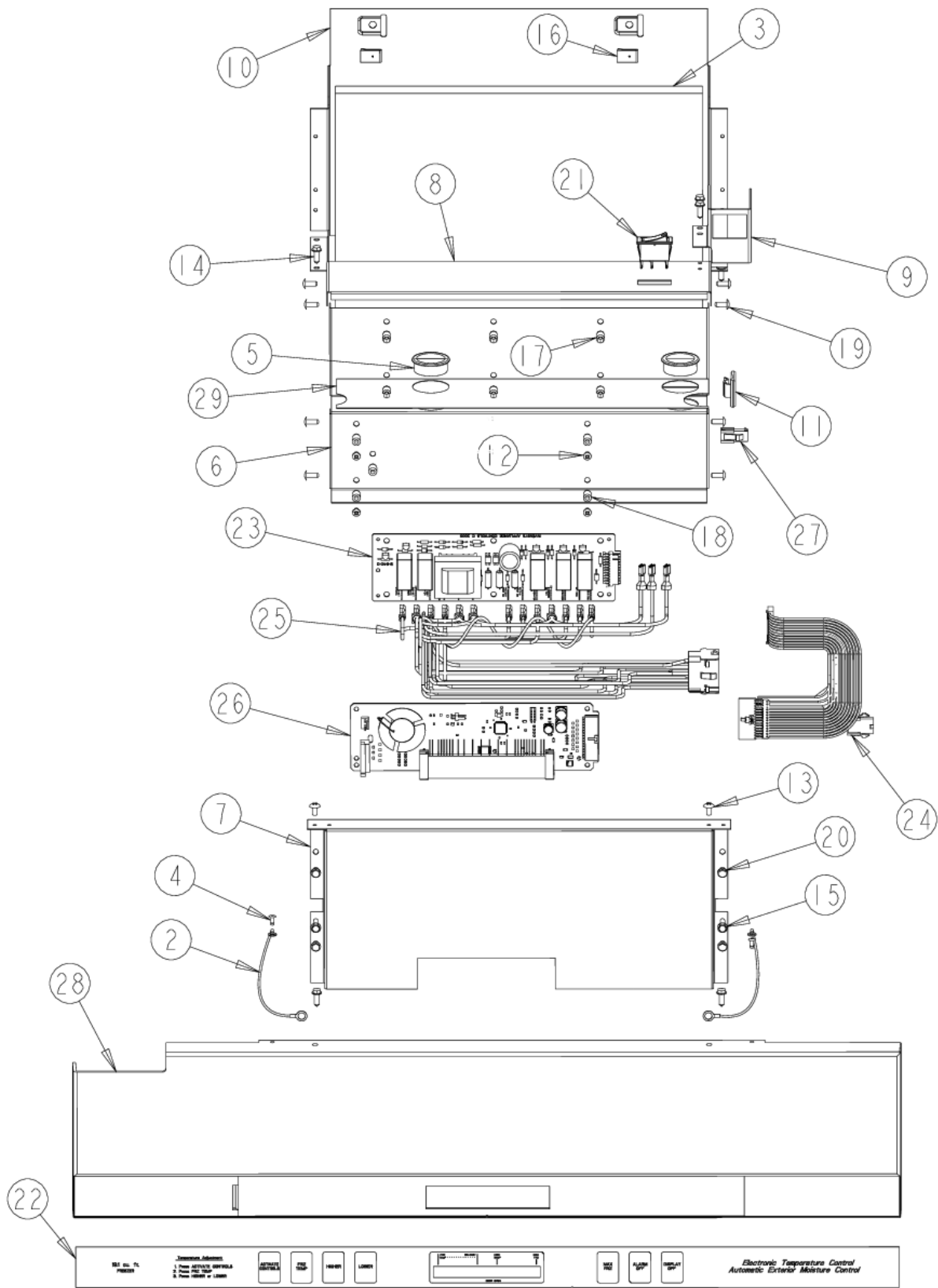
CONTROL ASSY	1
DOOR ASSY	2
HIGH SIDE ASSEMBLY	3
INTERIOR CABINET ASSY	4
LOW SIDE ASSY	5
LOWER UNIT	6
UPPER GRILLE ASSY	7
WIRING	8
Appendix A:Pages Index	A
Appendix B:Parts Index	B

CONTROL ASSY



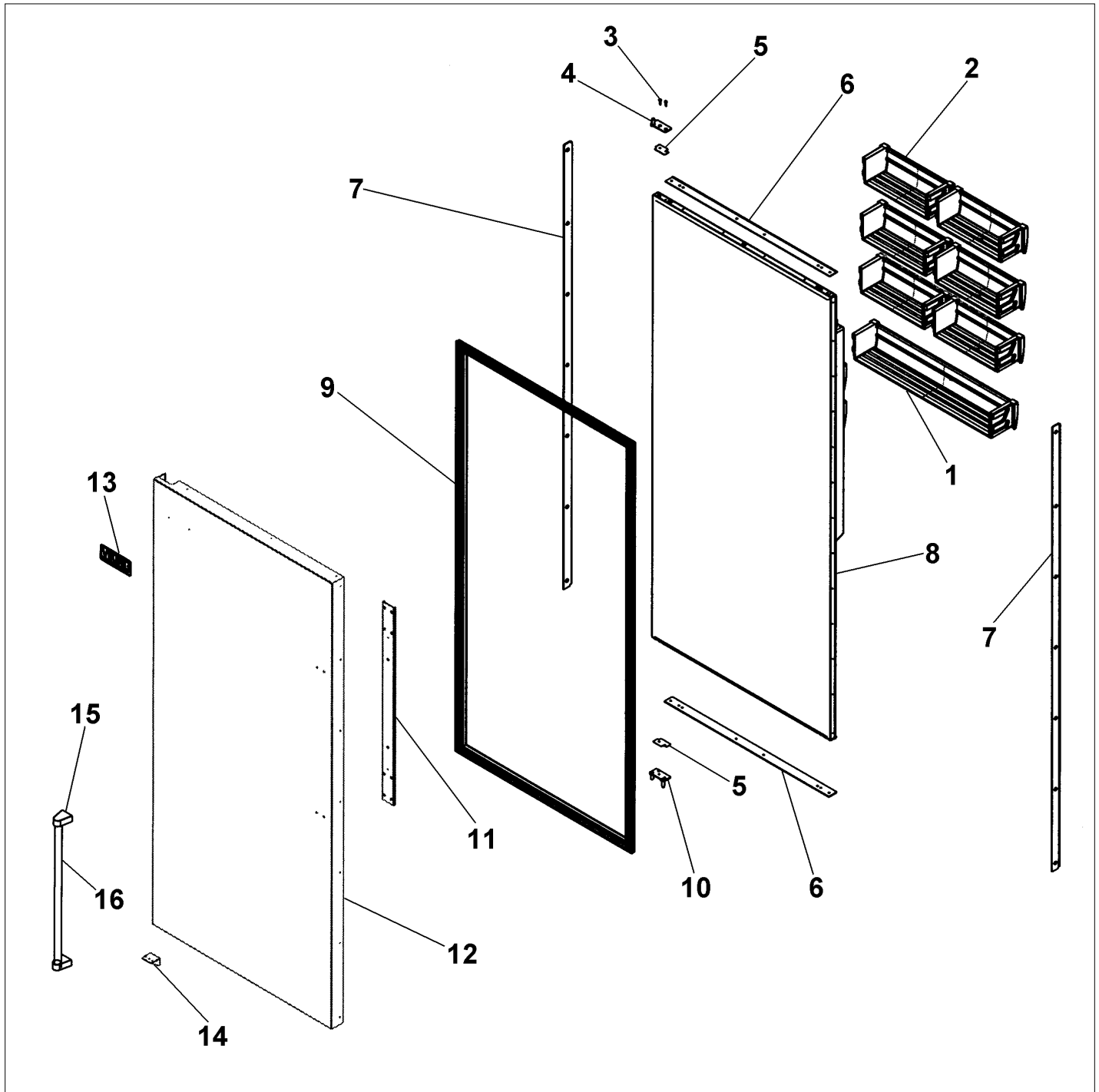


Item	Part No.	Name	Qty	Uom	NOTES
1	10916507	CORD-POWER 5 SERIES		EA	
2	12064001	SUPP-CONT PANEL		EA	
3	12074703	INSUL-CONT BOX V12074703		EA	NO LONGER AVAILABLE, Not available online / Call for pricing and availability
4	A4539601	DAMPER-TUBING .8		EA	Not available online / Call for pricing and availability
5	A4554817	BUSHING-SNAP VA4554817		EA	
6	K20910060	BRACKET - PC		EA	
7	K20610061	FRONT, CONTROL BOX		EA	Not available online / Call for pricing and availability
8	K20910062	CONTROL BOX TOP		EA	NO LONGER AVAILABLE, Not available online / Call for pricing and availability
9	K2098654	Bracket, Power Switch		EA	
10	K2099402	CONTROL BOX		EA	
11	M0104106	CLIP-CORD VM0104106		EA	
12	PD020013	TYPE "AB" #6 X 3/8 PH PAN HD. SMS		EA	
13	M0224128	SCREW-SM		EA	
14	M0238616	SCREW, SMALL		EA	
15	M0238846	SCREW-SHLDR		EA	
16	M0288120	NUT-SPEED VM0288120		EA	
17	M0585504	SUPPORT		EA	
18	M0585506	SUPPORT		EA	
19	PC040010	POP RIVET (.063/GR -.125) GAMD42-A		EA	
20	PD020194	SCR, HEX SRTD WSHR HD, #8-18 X 1/2		EA	
21	PE950150	SPDT ROCKER SW. W/LEGEND		EA	
22	PE950180	OVERLAY SWITCH AF 36		EA	
23	005319-000	POWER CONTROL BOARD ASM 5 SERIES		EA	



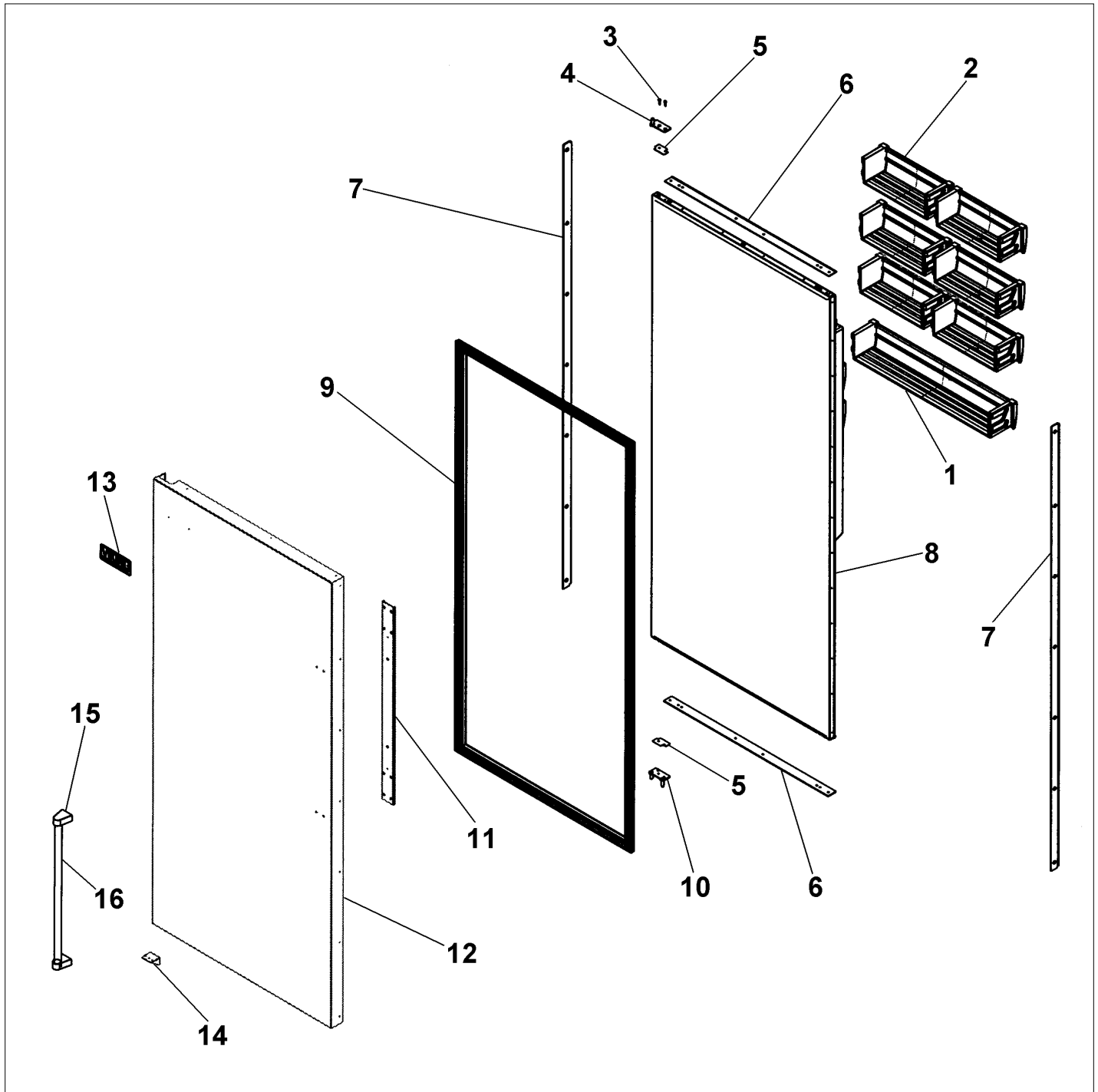
Item	Part No.	Name	Qty	Uom	NOTES
Comments for Part Num. 005319-000 boltz on Apr 12, 2018 See TR-0056-SP Bulletin					
25	PE970464	HARNESS LOW VOLT 5 SERIES		EA	
26	PE970465	HARNESS HIGH VOLT		EA	
27	002670-000	LOW VOLTAGE BOARD KIT W/HARNESS		EA	
Comments for Part Num. 002670-000 boltz on Apr 12, 2018 See TR-0022-SP Bulletin					
Not Shown	NOTE	(Before 01/22/05)		EA	
28	PE070728	BOARD LOW VOLTAGE		EA	
Comments for Part Num. PE070728 bradleysapplianceservice@shaw.ca on Apr 27, 2016 COULD ALSO USE: 002670-000 LOW VOLTAGE BOARD KIT ANALOG - INCLUDES WIRE HARNESS					
Not Shown	NOTE	(After 01/22/05)		EA	
Not Shown	PE970609	HARNESS CONTROL BOARD 5 SERIES		EA	
Not Shown	NOTE	(After 01/22/05)		EA	
29	016434-000	PANEL CONTROL AF/AR 30 L		EA	
Not Shown	PK930332	PANEL CONTROL AF 30 R		EA	
Not Shown	PM910325	FILM, PROTECTIVE		EA	

DOOR ASSY

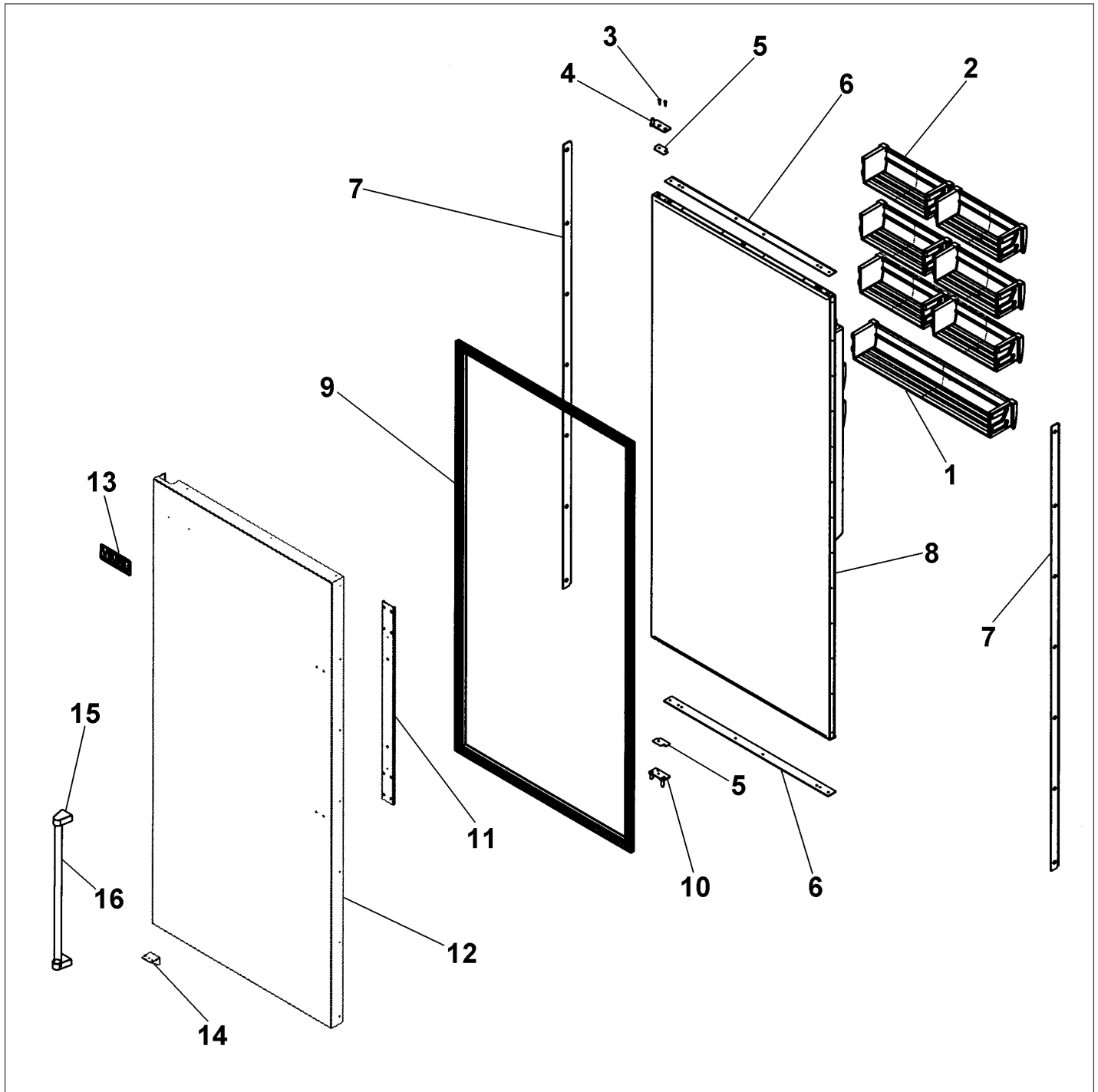




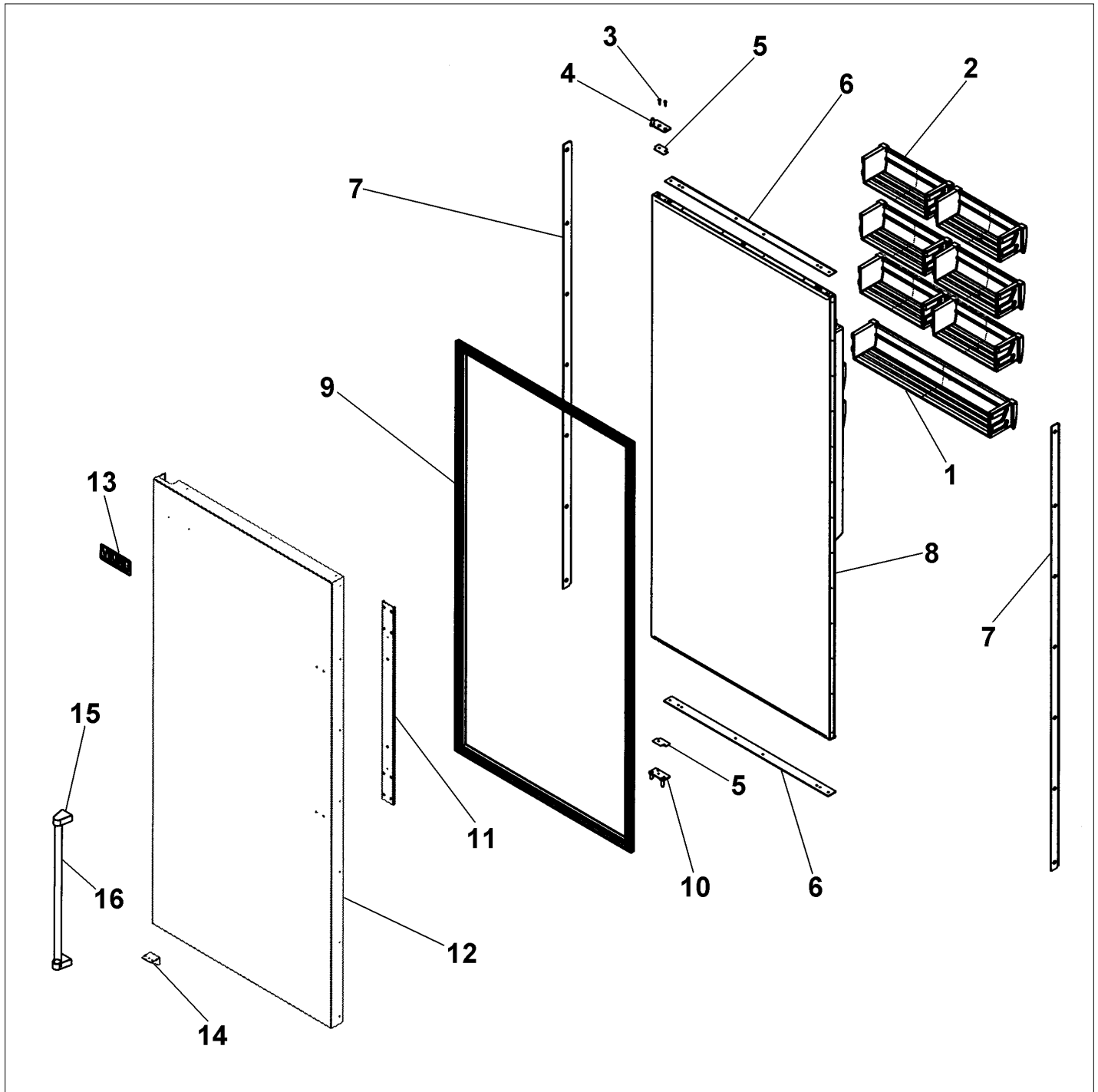
Item	Part No.	Name	Qty	Uom	NOTES
1	036878-000	DOORBIN ASM AF 36 FULL	1	EA	
2	036876-000	DOORBIN ASM AF 36 HALF	1	EA	
3	M0226233	SUB TO PD920174 - 10 X 7/8 PHILLIPS SMA TRI LOBE SA	1	EA	
4	PC920132	PIVOT PLATE ASSY - LH	1	EA	
Not Shown	PC920133	PIVOT PLATE ASSY - RH	1	EA	
5	PD940092	SPACER - DOOR HINGE	1	EA	
6	PK930225	TRIM DOOR BULLNOSE 36 TOP/BTM	1	EA	
7	PE940176	Door Trim - Side	1	EA	
8	G5098373	DOOR ASM AF 36	1	EA	Not available online / Call for pricing and availability
9	PB070298	SIDE CHARGE DOOR GASKET	1	EA	
10	PC920147	PIVOT PLATE ASSY - WC LH BOT	1	EA	
Not Shown	PC920146	PIVOT PLATE ASSY - WC RH BOT	1	EA	
11	K2096516	BRACE - SXS DOOR HANDLE 12447003	1	EA	
12	B2098381	SKIN DOOR AF 36 PRO LH	1	EA	
Not Shown	L2098381WH	DOOR SKIN AF AR 36 PRO L	1	EA	NO LONGER AVAILABLE, Not available online / Call for pricing and availability
Not Shown	C9098381AL	DOOR SKIN AF AR 36 PRO L	1	EA	NO LONGER AVAILABLE, Not available online / Call for pricing and availability
Not Shown	C9098381BK	DOOR SKIN AF AR 36 PRO L	1	EA	NO LONGER AVAILABLE
Not Shown	C9098381BT	DOOR SKIN AF AR 36 PRO L	1	EA	NO LONGER AVAILABLE, Not available online / Call for pricing and availability
Not Shown	C9098381BU	DOOR SKIN AF AR 36 PRO L	1	EA	NO LONGER AVAILABLE



Item	Part No.	Name	Qty	Uom	NOTES
Not Shown	C9098381CB	DOOR SKIN AF AR 36 PRO L	1	EA	NO LONGER AVAILABLE, Not available online / Call for pricing and availability
Not Shown	C9098381EP	DOOR SKIN AF AR 36 PRO L	1	EA	NO LONGER AVAILABLE, Not available online / Call for pricing and availability
Not Shown	C9098381FG	DOOR SKIN AF AR 36 PRO L	1	EA	NO LONGER AVAILABLE, Not available online / Call for pricing and availability
Not Shown	C9098381GG	DOOR SKIN AF AR 36 PRO L	1	EA	Not available online / Call for pricing and availability
Not Shown	C9098381LE	DOOR SKIN AF AR 36 PRO L	1	EA	NO LONGER AVAILABLE, Not available online / Call for pricing and availability
Not Shown	C9098381MJ	DOOR SKIN AF AR 36 PRO L	1	EA	NO LONGER AVAILABLE
Not Shown	C9098381SG	DOOR SKIN AF AR 36 PRO L	1	EA	NO LONGER AVAILABLE, Not available online / Call for pricing and availability
Not Shown	C9098381VB	DOOR SKIN AF AR 36 PRO L	1	EA	NO LONGER AVAILABLE, Not available online / Call for pricing and availability
Not Shown	B2098383	SKIN DOOR AF AR 36 PRO	1	EA	
Not Shown	L2098383WH	DOOR SKIN AF AR 36 PRO R	1	EA	NO LONGER AVAILABLE
Not Shown	C9098383AL	DOOR SKIN AF AR 36 PRO R	1	EA	NO LONGER AVAILABLE, Not available online / Call for pricing and availability
Not Shown	C9098383BK	DOOR SKIN AF AR 36 PRO R	1	EA	NO LONGER AVAILABLE
Not Shown	C9098383BT	DOOR SKIN AF AR 36 PRO R	1	EA	NO LONGER AVAILABLE, Not available online / Call for pricing and availability



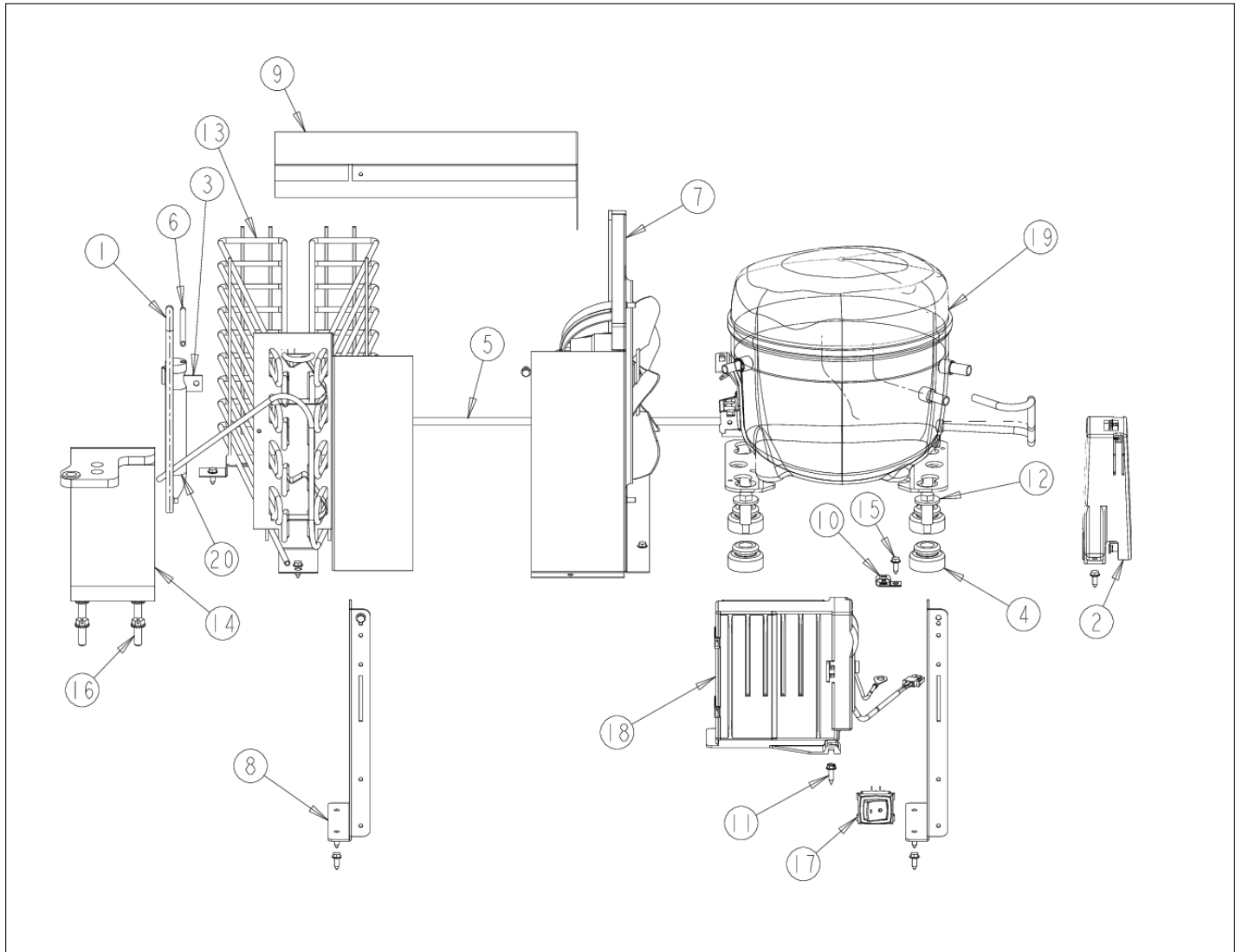
Item	Part No.	Name	Qty	Uom	NOTES
Not Shown	C9098383BU	DOOR SKIN AF AR 36 PRO R	1	EA	NO LONGER AVAILABLE
Not Shown	C9098383CB	DOOR SKIN AF AR 36 PRO R	1	EA	NO LONGER AVAILABLE, Not available online / Call for pricing and availability
Not Shown	C9098383EP	DOOR SKIN AF AR 36 PRO R	1	EA	NO LONGER AVAILABLE, Not available online / Call for pricing and availability
Not Shown	C9098383FG	DOOR SKIN AF AR 36 PRO R	1	EA	NO LONGER AVAILABLE, Not available online / Call for pricing and availability
Not Shown	C9098383GG	DOOR SKIN AF AR 36 PRO R	1	EA	NO LONGER AVAILABLE
Not Shown	C9098383LE	DOOR SKIN AF AR 36 PRO R	1	EA	NO LONGER AVAILABLE, Not available online / Call for pricing and availability
Not Shown	C9098383MJ	DOOR SKIN AF AR 36 PRO R	1	EA	NO LONGER AVAILABLE, Not available online / Call for pricing and availability
Not Shown	C9098383SG	DOOR SKIN AF AR 36 PRO R	1	EA	NO LONGER AVAILABLE
Not Shown	C9098383VB	DOOR SKIN AF AR 36 PRO R	1	EA	NO LONGER AVAILABLE, Not available online / Call for pricing and availability
13	PE010030	LOGO	1	EA	
Not Shown	PE010068	LOGO 6" (VGRC) BK/BR	1	EA	
Not Shown	PE010031	LOGO 6" (VGRC) *BK/WH*	1	EA	NO LONGER AVAILABLE
Not Shown	PE010076	LOGO 6" (VGRC) *BR/WH*	1	EA	NO LONGER AVAILABLE
14	PD050019	STRIKER DOOR SWITCH	1	EA	
15	000268-000	HANDLE ENDCAP	1	EA	
Not Shown	PE030001PVD	END CAP DOOR HANDLE *BR	1	EA	
16	PE930101	VCSB482 HANDLE -(12466403)	1	EA	





Item	Part No.	Name	Qty	Uom	NOTES
Not Shown	PE030173PVD	BRASS HANDLE	1	EA	Not available online / Call for pricing and availability

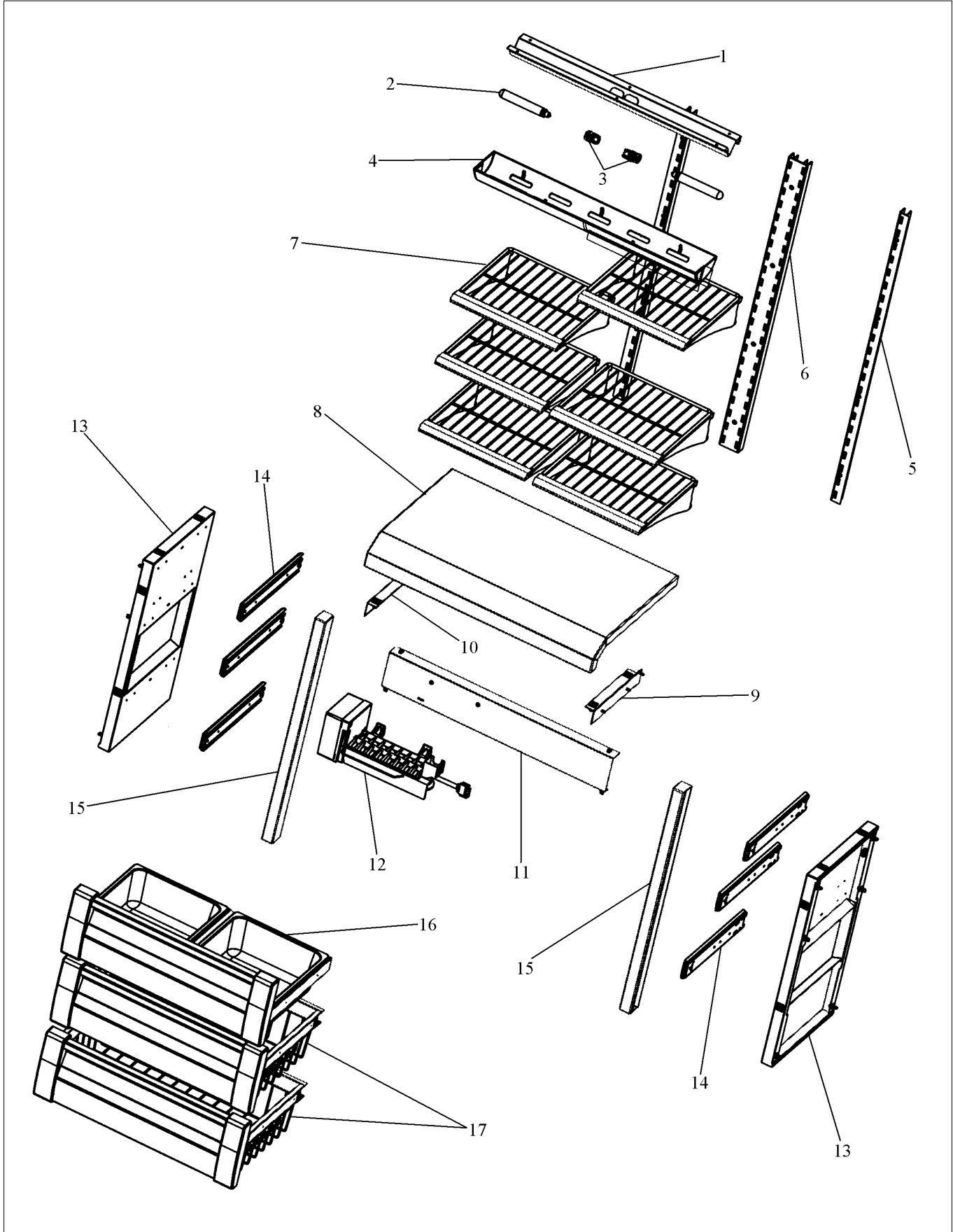
HIGH SIDE ASSEMBLY





Item	Part No.	Name	Qty	Uom	NOTES
1	F2096507	TUBE-PROCESS GRN	1	EA	
2	050894-000	ASSY, BKT, PWR SUPPLY, 24VDC, REF	1	EA	
3	10547001	CLIP-DRIER V10547001	1	EA	
4	10835901	GROMMET RUBBER V10835901	1	EA	
5	F20910729	TUBE DISCHARGE AF AR 30	1	EA	
6	F2096504	TUBE-DRIER EXT	1	EA	
7	G5096494	COND. FAN ASSY	1	EA	
8	K20912569	BRACKET GRILLE SUPPORT	1	EA	
9	K20912361	DIVERTER AIR HI SIDE 36	1	EA	Not available online / Call for pricing and availability
10	M0103904	CLAMP-SPEED	1	EA	NO LONGER AVAILABLE, Not available online / Call for pricing and availability
11	M0211018	SCREW-SM	1	EA	
12	M0221523	SCREW - SHLDR	1	EA	
13	PB920171	CONDENSER ASM	1	EA	
14	PC920204	HINGE ASM UL	1	EA	
Not Shown	PC920203	HINGE ASM UR	1	EA	
15	PD020194	SCR, HEX SRTD WSHR HD, #8- 18 X 1/2	1	EA	
16	000570-000	FASTENER, BOLT, 1/4-20 IHXWS 1" S ZN SER	1	EA	
17	PE950149	SWITCH POWER	1	EA	
18	011666-000	INVERTER,CMPR,ASM	1	EA	
Comments for Part Num. 011666-000					
gboltz@VikingRange.com on Aug 9, 2018					
See 2018-01P Parts Bulletin					
19	G5097976	Compressor Assembly (Includes Drier)	1	EA	
20	PM010616	DRIER - HIGH SIDE	1	EA	
NI	K2096943	PANEL BRACKET	1	EA	

INTERIOR CABINET ASSY





Item	Part No.	Name	Qty	Uom	NOTES
1	L20910705	BRACKET LIGHT AR 36	1	EA	
2	004528-000	LAMP, 40 WATT CLEAR LIGHT	1	EA	
3	PE950125	LIGHT SOCKET	1	EA	
4	020123-000	COVER LIGHT ASM AF AR BM 36	1	EA	
5	PM910282	LADDER SIDE	1	EA	
6	PM910285	LADDER CENTER	1	EA	
7	PM910411	SHELF WIRE AF 36	1	EA	
8	G50911169	SHELF ICE ASM UPPER AF 36	1	EA	
9	K20911929	BRACKET ICE SHELF R	1	EA	
10	K20911928	BRACKET ICE SHELF L	1	EA	
11	C90911164WH	PLATE IN MOUNT AF 36 *WH*	1	EA	
12	G50911858	ICE MAKER ASM, NLA, order components, see TR-0023C-SP	1	EA	NO LONGER AVAILABLE

Comments for Part Num. G50911858

jennifer@thetrend.com on Feb 12, 2016

It would be nice to have the ice maker in the right location. Even better if it gave the right part number.

vharding68@verizon.net on Mar 16, 2016

Doesn't matter where it is or the part number....There has been a bulletin on these ice makers since November of 2007 (Btw...it is superseded by another bulletin that is prior to that date).

Bulletin number TR-0023B-SP

Val @ bob's, pa

bradleysapplianceservice@shaw.ca on Sep 1, 2016

SERVICE BULLETIN: TR-0023B-SP

SUBS TO:

002252-000 ICE MAKER MODULE

002251-000 ICE MAKER BAIL ARM

002253-000 ICE MAKER WIRE HARNESS

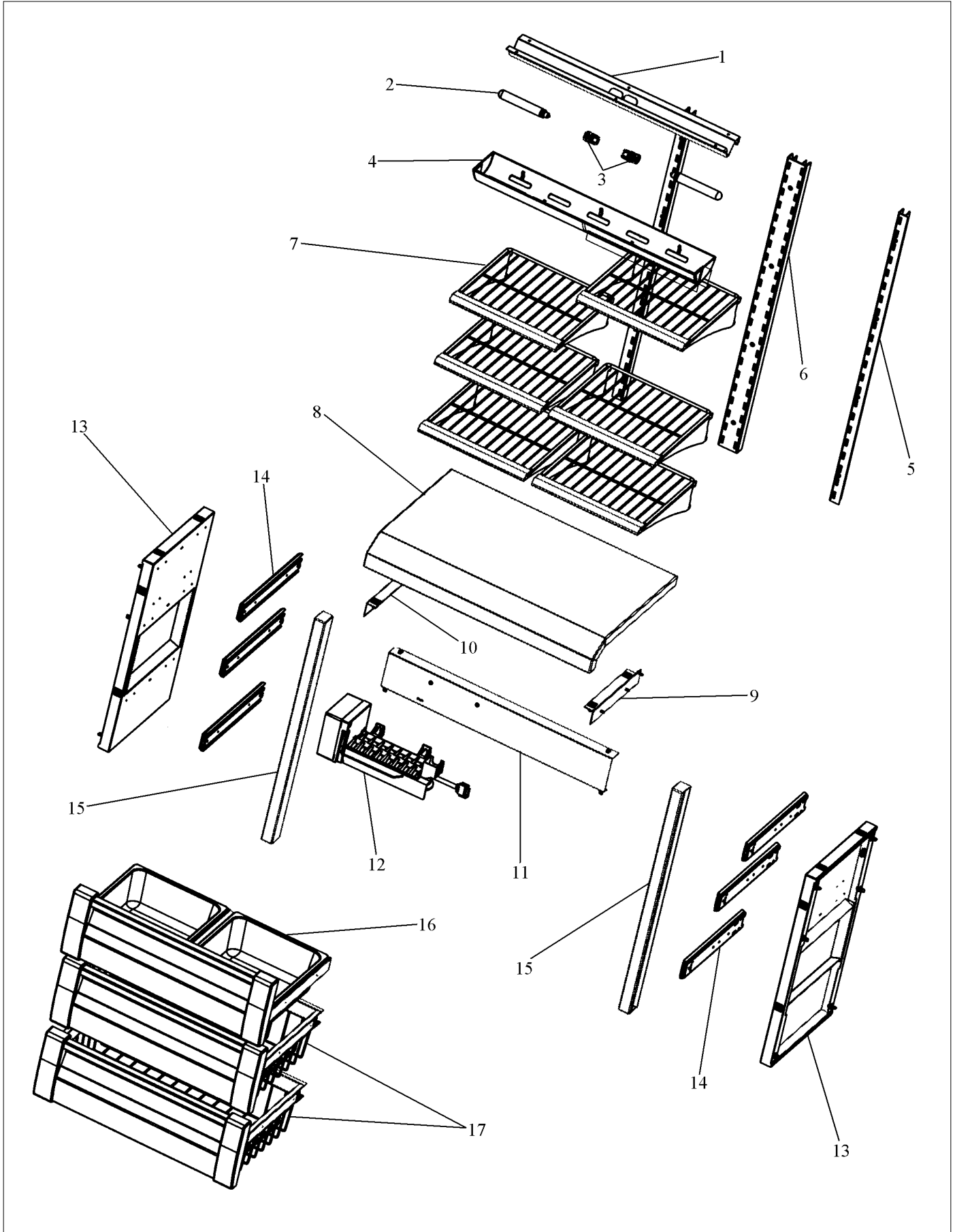
platinumcares@aol.com on Dec 4, 2017

i/m assy #002252-000

wire harness 002253-000

arm # 002251-000

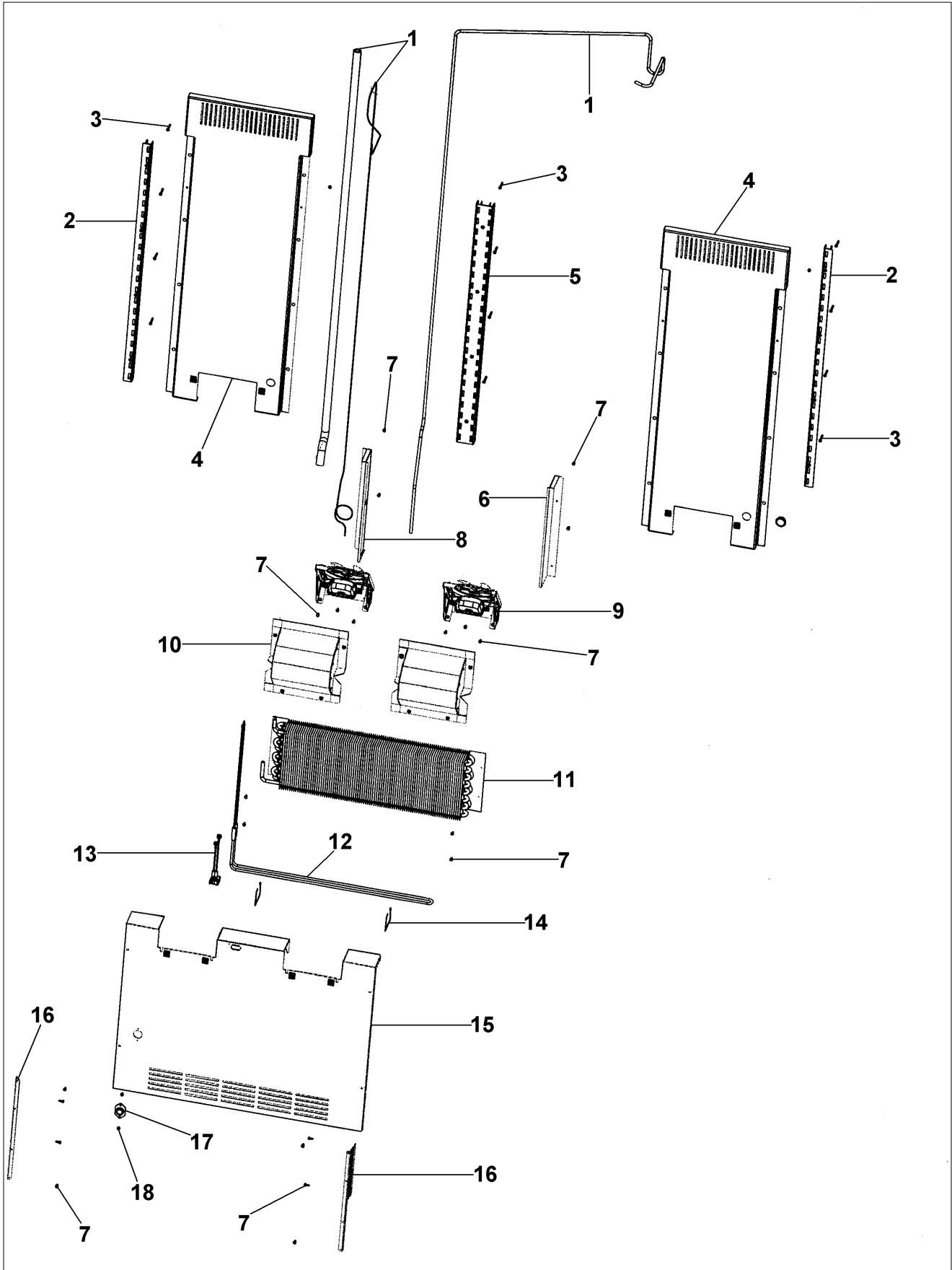
you will need all three





Item	Part No.	Name	Qty	Uom	NOTES
13	G50911176	BRKT SIDE GLIDE MOUNT ASM	1	EA	
14	PM910417	SLIDE 3 MEMBER 12 IN W/ LVR DISCONNECT	1	EA	NO LONGER AVAILABLE
15	G50911181	TRIM ASM SIDE AF 36 30	1	EA	
16	G50911189	DRAWER ICE ASM AF 36	1	EA	
17	G50911195	DRAWER BASKET ASM AF 36	1	EA	

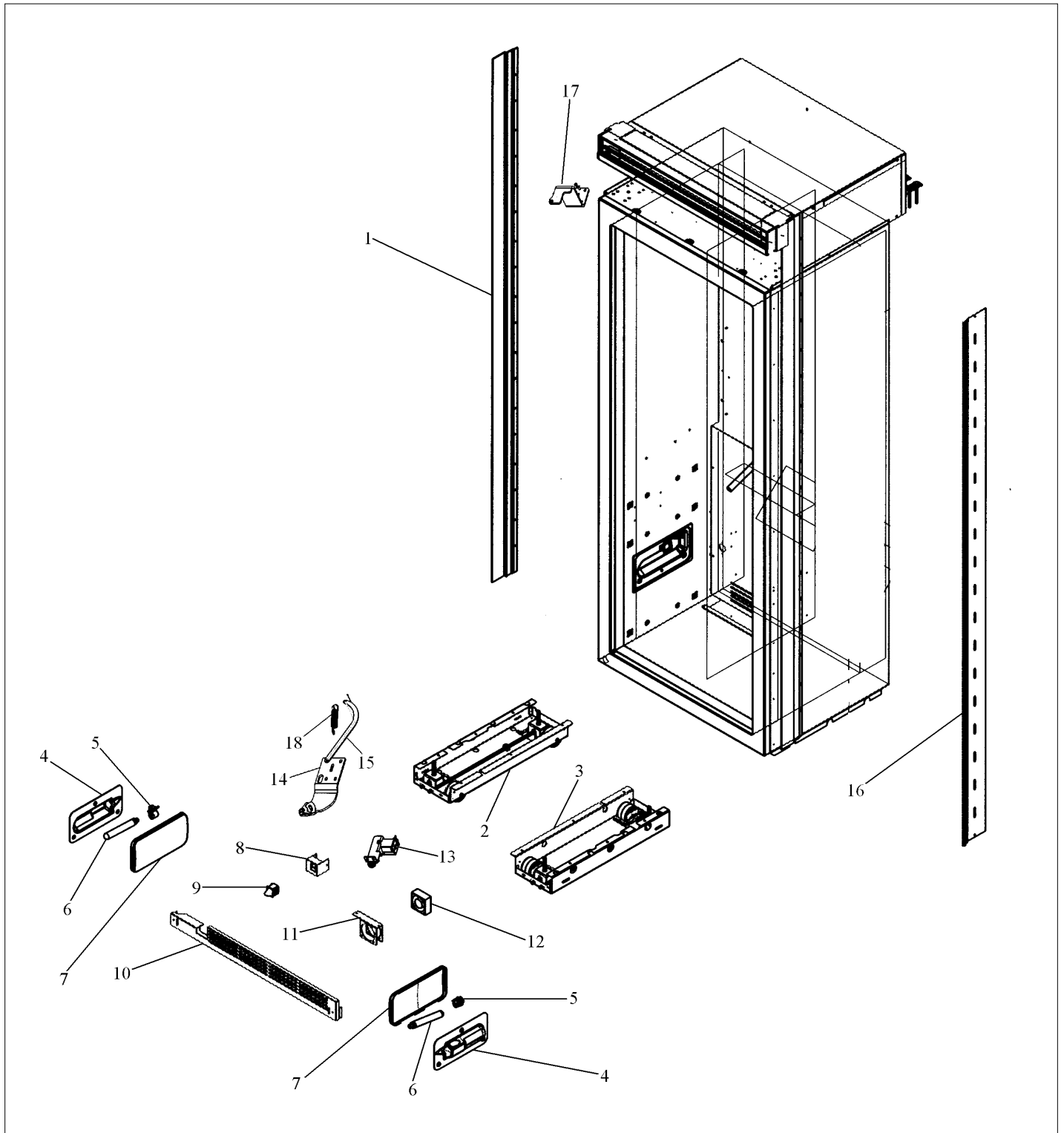
LOW SIDE ASSY





Item	Part No.	Name	Qty	Uom	NOTES
1	F2099937	TUBE FORMED HT EXCH AF 36	1	EA	
2	PM910282	LADDER SIDE	1	EA	
3	M0238535	SCREW-SM	1	EA	
4	G50911183	COVER UPPER EVAP ASM AF 36	1	EA	Not available online / Call for pricing and availability
5	PM910285	LADDER CENTER	1	EA	
6	L20911339WH	DIVERTER AIR RT 36 AF	1	EA	Not available online / Call for pricing and availability
7	M0238616	SCREW, SMALL	1	EA	
8	L20911338WH	DIVERTER AIR LFT 36 AF	1	EA	Not available online / Call for pricing and availability
9	G50912354	FAN ASSEMBLY AF 36	1	EA	
10	G50911134	COVER ASM FAN EVAP AF 36	1	EA	
11	PM910454	EVAPORATOR AF 36	1	EA	
12	PJ910037	DEFROST HEATER AF 36	1	EA	
13	058966-000	THERMOSTAT, SNAP ACTION, 55 OPEN 20 CLOSE	1	EA	
14	PM910468	CLIP EVAP HTR 36 30 AF	1	EA	
15	G50911182	COVER ASM LOWER EVAP AF 36	1	EA	
16	K2096461	BRKT-EVAP COVER 12234801	1	EA	
17	C8983701	THERMISTOR	1	EA	
18	M0232929	SCREW-SE	1	EA	

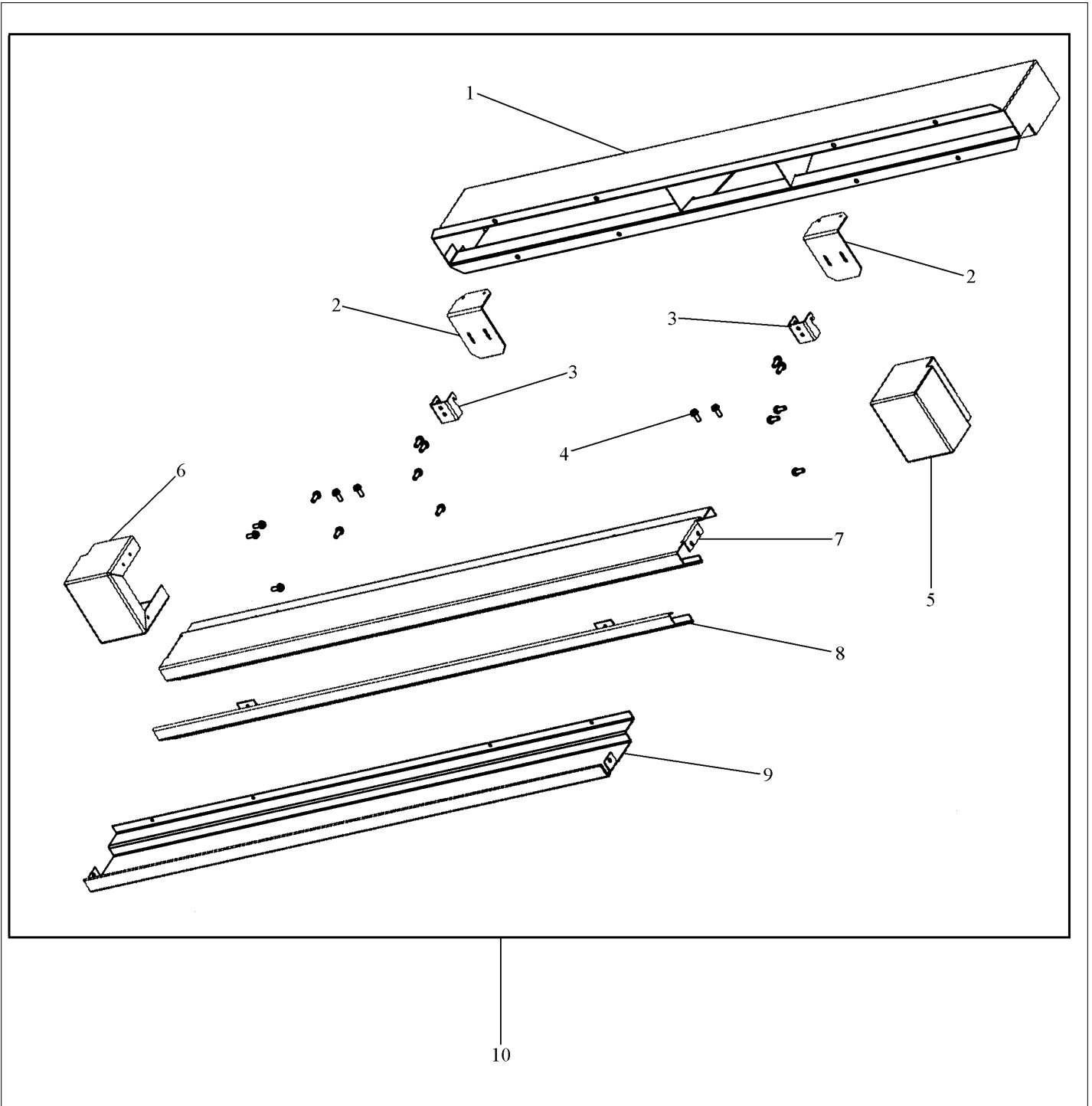
LOWER UNIT





Item	Part No.	Name	Qty	Uom	NOTES
1	PK910123	SIDE TRIM - PRO	1	EA	
2	060891-000	LEVELER MODULE L	1	EA	
3	060890-000	LEVELER MODULE R	1	EA	
4	10270203	HOUSING-LIGHT V10270203	1	EA	
5	10281601	SOCKET-SGL LIGHT	1	EA	
6	004528-000	LAMP, 40 WATT CLEAR LIGHT	1	EA	
7	PK930346	COVER LIGHT	1	EA	
8	C20911329	SWITCH MOUNT	1	EA	Not available online / Call for pricing and availability
9	PE950146	SPDT SWITCH	1	EA	
10	G50911379	GRILLE TOE ASM 36 LH	1	EA	
Not Shown	G50911378	GRILLE TOE ASM COMPLETE 36 R	1	EA	
11	K20911976	BRACKET EVAP FAN ICE	1	EA	NO LONGER AVAILABLE
12	004551-000	AXIAL FAN	1	EA	
<p>Comments for Part Num. 004551-000</p> <p>gboltz@VikingRange.com on Jul 21, 2016</p> <p>View service bulletin TR-0052-SP before ordering fan, if applicable order kit instead of fan</p>					
13	PA970012	SINGLE WATER VALVE	1	EA	
14	G3298649	HINGE ASM COMPLETE LL	1	EA	
Not Shown	G3298648	HINGE ASM COMPLETE LR	1	EA	
15	PC920149	BAR-WC BOT HINGE LH	1	EA	
Not Shown	PC920166	HINGE ASM COMPLETE RR	1	EA	
16	PK910123	SIDE TRIM - PRO	1	EA	
17	PC920204	HINGE ASM UL	1	EA	
Not Shown	PC920203	HINGE ASM UR	1	EA	
18	PC910015	SPRING EXTENSION	1	EA	
NI	PB920202	TUBING, WATER VALVE	1	EA	
NI	PB020302	PLASTIC TUBING-DOOR WATERLINE SXS DISP	1	EA	

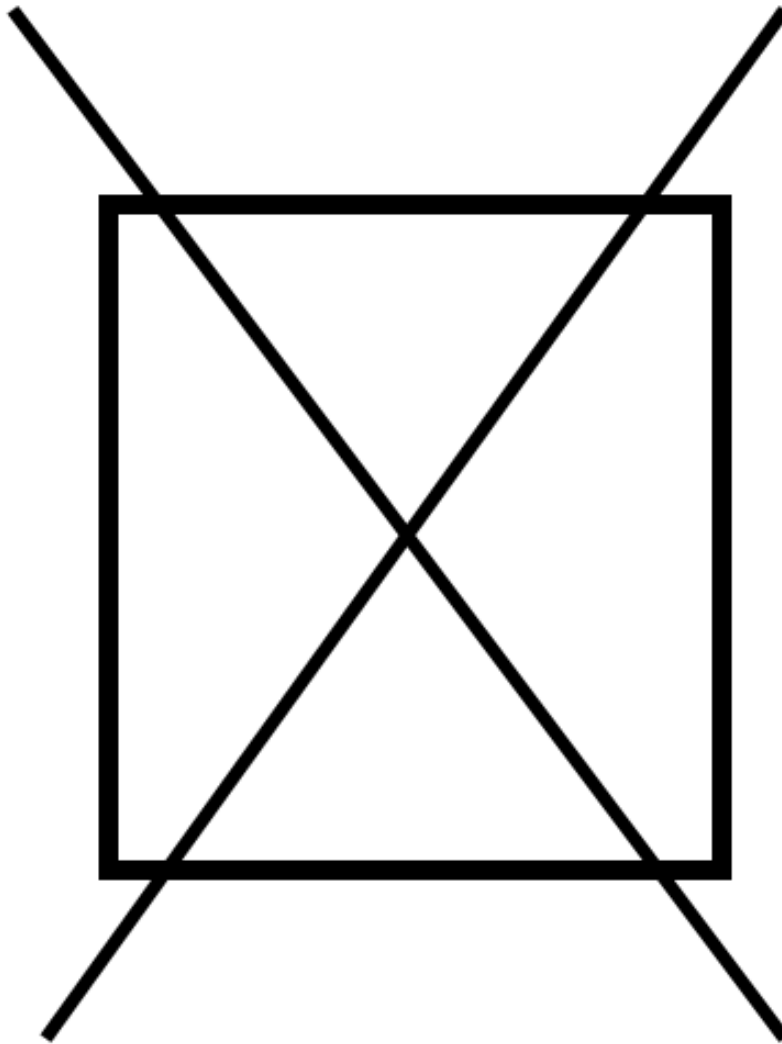
UPPER GRILLE ASSY





Item	Part No.	Name	Qty	Uom	NOTES
1	G90911117BK	AIR DUCT ASM COMPLETE AF AR 36 *BK*	1	EA	Not available online / Call for pricing and availability
2	B2096962	BRACKET-LOUVER SUP	1	EA	
3	B2096961	BRACKET-LOUVER	1	EA	
4	M0220417	SCREW-TC	1	EA	
5	B20911802	GRILL ENDCAP PRO R	1	EA	
Not Shown	B20911801	GRILL ENDCAP PRO L	1	EA	
6	B2099013	ENDCAP PRO RH NONHINGE	1	EA	NO LONGER AVAILABLE
Not Shown	B2099012	ENDCAP PRO LH NONHINGE	1	EA	NO LONGER AVAILABLE
7	B20911391	GRILLE LOUVER TOP 36 PRO	1	EA	
8	B20911392	GRILLE LOUVER MID 36 PRO	1	EA	
9	B20911122	GRILLE LOUVER BOT 36 PRO	1	EA	NO LONGER AVAILABLE, Not available online / Call for pricing and availability
10	G32911116	GRILLE ASM AF AR 36 PRO	1	EA	
Not Shown	G32911375	GRILLE ASM AF 36 PRO LH	1	EA	

NON
ILLUSTRATED PART





Item	Part No.	Name	Qty	Uom	NOTES
NI	044042-000	ALL FREEZER FLOAT SWITCH WIRING KIT	1	EA	
Not Shown	NOTE	(FOR UNITS MANUFACTURED BEFORE 1/9/13		EA	



Appendix A:Pages Index

CONTROL ASSY 1
DOOR ASSY 2
HIGH SIDE ASSEMBLY 3
INTERIOR CABINET ASSY 4
LOW SIDE ASSY 5
LOWER UNIT 6
UPPER GRILLE ASSY 7
WIRING 8



Appendix B:Parts Index

000268-000	2	C9098381BK	2
000570-000	3	C9098381BT	2
002670-000	1	C9098381BU	2
004528-000	4, 6	C9098381CB	2
004551-000	6	C9098381EP	2
005319-000	1	C9098381FG	2
011666-000	3	C9098381GG	2
016434-000	1	C9098381LE	2
020123-000	4	C9098381MJ	2
036876-000	2	C9098381SG	2
036878-000	2	C9098381VB	2
044042-000	8	C9098383AL	2
050894-000	3	C9098383BK	2
058966-000	5	C9098383BT	2
060890-000	6	C9098383BU	2
060891-000	6	C9098383CB	2
10270203	6	C9098383EP	2
10281601	6	C9098383FG	2
10547001	3	C9098383GG	2
10835901	3	C9098383LE	2
10916507	1	C9098383MJ	2
12064001	1	C9098383SG	2
12074703	1	C9098383VB	2
A4539601	1	F20910729	3
A4554817	1	F2096504	3
B20911122	7	F2096507	3
B20911391	7	F2099937	5
B20911392	7	G32911116	7
B20911801	7	G32911375	7
B20911802	7	G3298648	6
B2096961	7	G3298649	6
B2096962	7	G50911134	5
B2098381	2	G50911169	4
B2098383	2	G50911176	4
B2099012	7	G50911181	4
B2099013	7	G50911182	5
C20911329	6	G50911183	5
C8983701	5	G50911189	4
C90911164WH	4	G50911195	4
C9098381AL	2	G50911378	6
		G50911379	6



G50911858	4	PB920171	3
G50912354	5	PB920202	6
G5096494	3	PC040010	1
G5097976	3	PC910015	6
G5098373	2	PC920132	2
G90911117BK	7	PC920133	2
K20610061	1	PC920146	2
K20910060	1	PC920147	2
K20910062	1	PC920149	6
K20911928	4	PC920166	6
K20911929	4	PC920203	3, 6
K20911976	6	PC920204	3, 6
K20912361	3	PD020013	1
K20912569	3	PD020194	1, 3
K2096461	5	PD050019	2
K2096516	2	PD940092	2
K2096943	3	PE010030	2
K2098654	1	PE010031	2
K2099402	1	PE010068	2
L20910705	4	PE010076	2
L20911338WH	5	PE030001PVD	2
L20911339WH	5	PE030173PVD	2
L2098381WH	2	PE070728	1
L2098383WH	2	PE930101	2
M0103904	3	PE940176	2
M0104106	1	PE950125	4
M0211018	3	PE950146	6
M0220417	7	PE950149	3
M0221523	3	PE950150	1
M0224128	1	PE950180	1
M0226233	2	PE970464	1
M0232929	5	PE970465	1
M0238535	5	PE970609	1
M0238616	1, 5	PJ910037	5
M0238846	1	PK910123	6, 6
M0288120	1	PK930225	2
M0585504	1	PK930332	1
M0585506	1	PK930346	6
PA970012	6	PM010616	3
PB020302	6	PM910282	4, 5
PB070298	2	PM910285	4, 5



PM910325	1
PM910411	4
PM910417	4
PM910454	5
PM910468	5