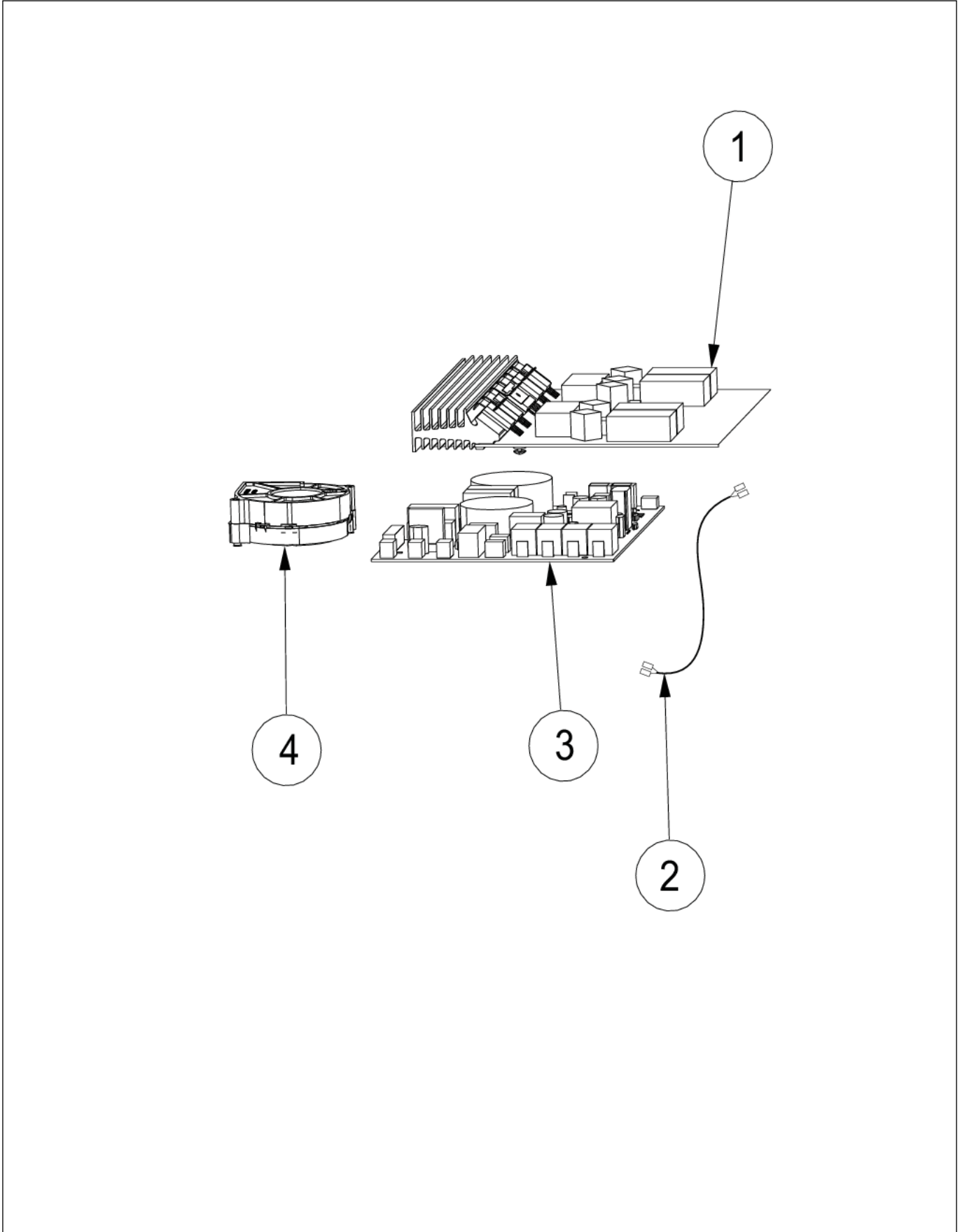


**VCCU166**

BOARD COMPONENTS .....	1
CONTROL AREA .....	2
INDUCTION AREA .....	3
RADIANT AREA .....	4
UNIT EXTERIOR .....	5
WIRING .....	6
WIRING DIAGRAM .....	7
Appendix A:Pages Index .....	A
Appendix B:Parts Index .....	B



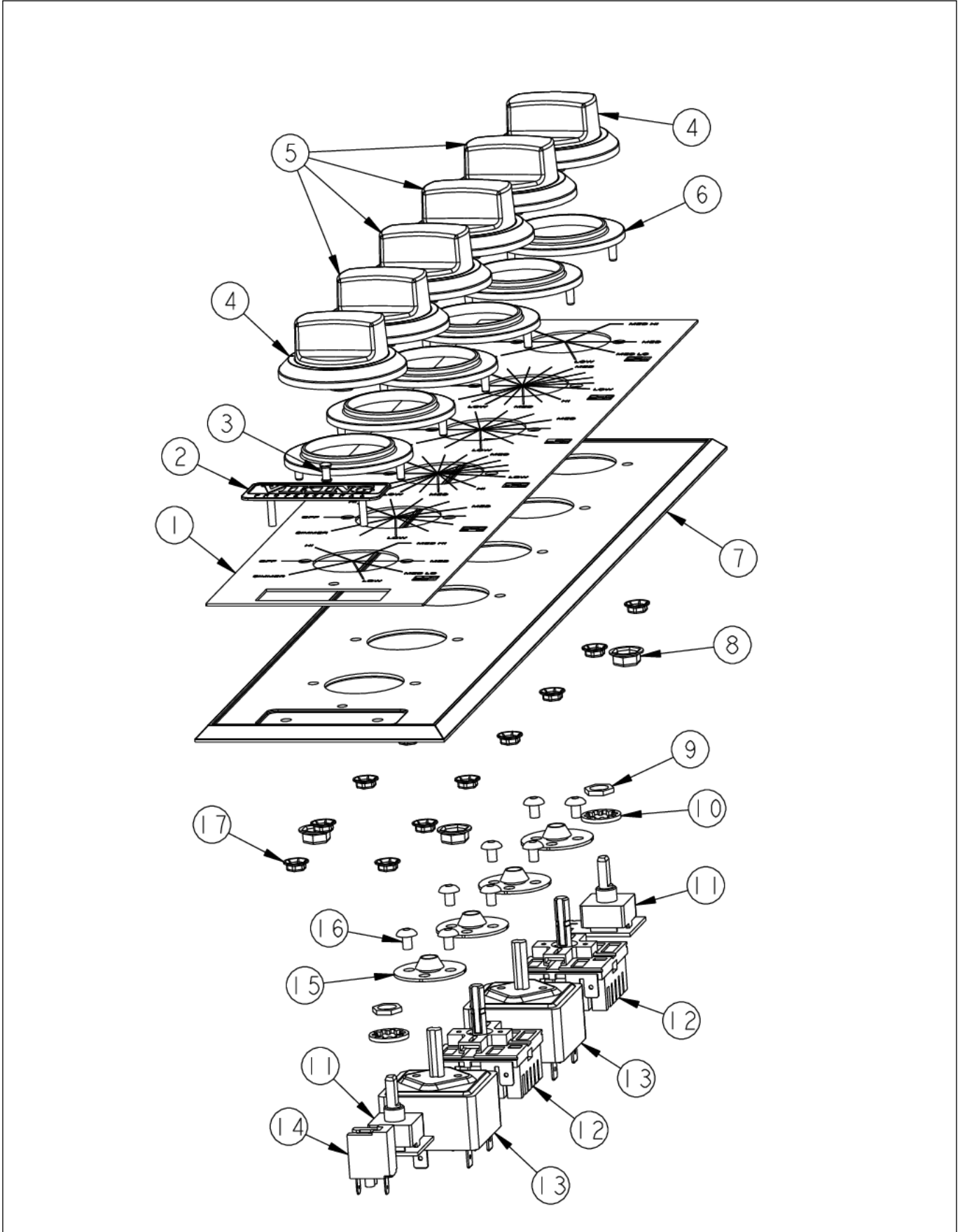
BOARD COMPONENTS





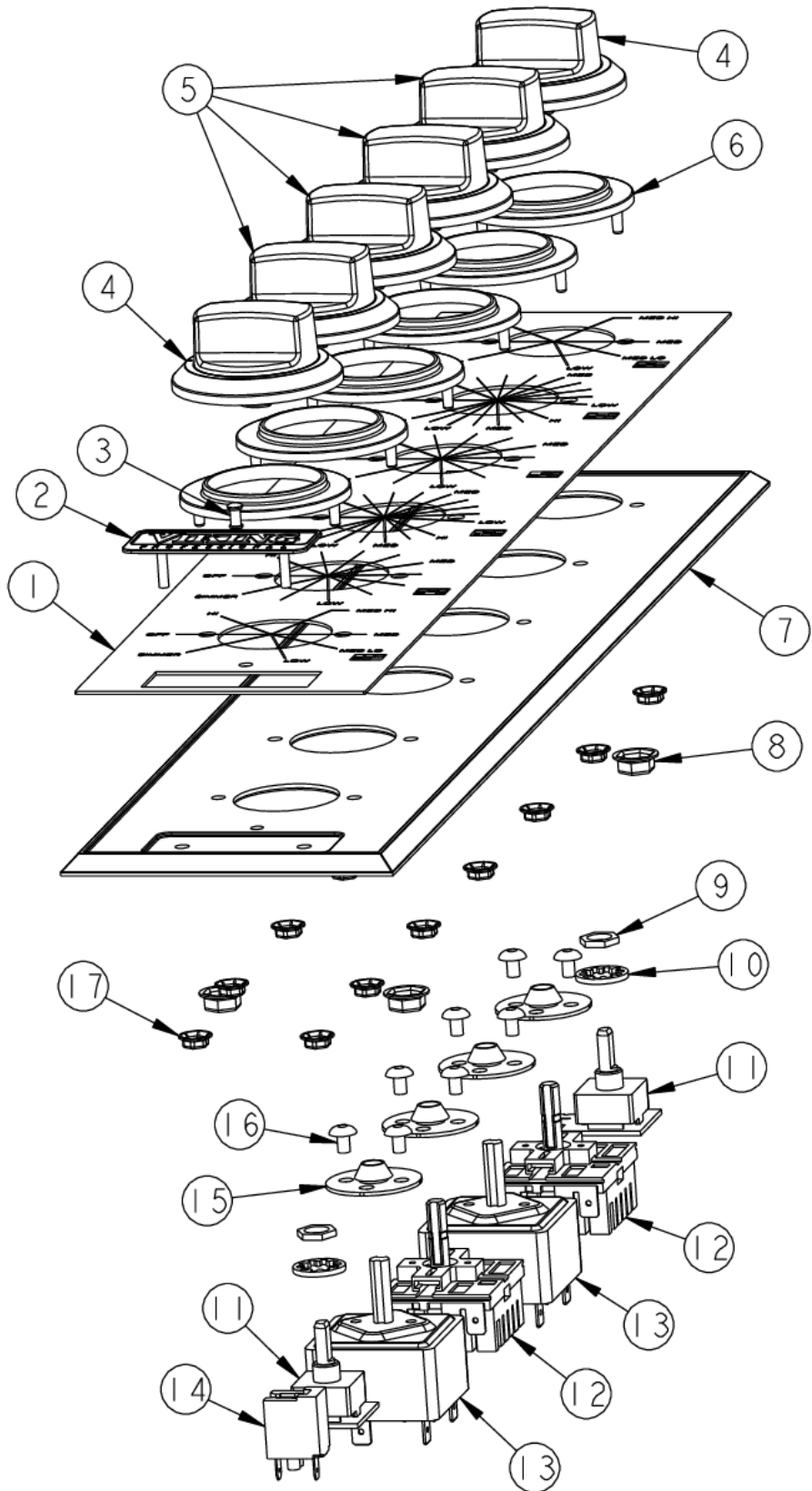
Item	Part No.	Name	Qty	Uom	NOTES
1	015132-000	POWER BOARD KIT - 3.2KW	1	EA	
2	015129-000	CABLE KIT	1	EA	
3	015131-000	FILTER BOARD KIT - 3.2KW	1	EA	
4	015127-000	FAN KIT	1	EA	

CONTROL AREA





Item	Part No.	Name	Qty	Uom	NOTES
1	PE040334	VCCU PANEL GRAPHICS INLAY 36" BK	1	EA	
1	PE040337	VCCU PANEL GRAPHICS INLAY 36" WH	1	EA	NO LONGER AVAILABLE, Not available online / Call for pricing and availability
2	PE010191	2 1/2" VIKING LOGO BLACK/CHROME	1	EA	
2	PE010192	2 1/2" VIKING LOGO BLACK/BRASS	1	EA	
2	PE010193	2 1/2" VIKING LOGO WHITE/CHROME	1	EA	
2	PE010194	2 1/2" VIKING LOGO WHITE/BRASS	1	EA	NO LONGER AVAILABLE
3	PE050187	POWER LIGHT LENS	1	EA	
4	G50012165BK	INDUCTION KNOB BEZEL ASSY *BK*	1	EA	
4	G50012165BKBR	INDUCTION KNOB ASSEMBLY - BK / BR	1	EA	
4	G50012165WH	INDUCTION KNOB BEZEL ASSY *WH*	1	EA	NO LONGER AVAILABLE, Not available online / Call for pricing and availability
4	G50012165WHBR	INDUCTION KNOB BEZEL ASSY *WHBR*	1	EA	NO LONGER AVAILABLE, Not available online / Call for pricing and availability
5	G50012164BK	INFINITE KNOB BEZEL ASSY *BK*	1	EA	
5	G50012164BKBR	INFINITE KNOB BEZEL ASSY *BKBR*	1	EA	NO LONGER AVAILABLE
5	G50012164WH	INFINITE KNOB BEZEL ASSY *WH*	1	EA	NO LONGER AVAILABLE, Not available online / Call for pricing and availability
5	G50012164WHBR	INFINITE KNOB BEZEL ASSY *WHBR*	1	EA	NO LONGER AVAILABLE, Not available online / Call for pricing and availability
6	PB010262	LOWER BEZEL	1	EA	
7	PE040251	36" ELECTRIC CONTROL PANEL	1	EA	

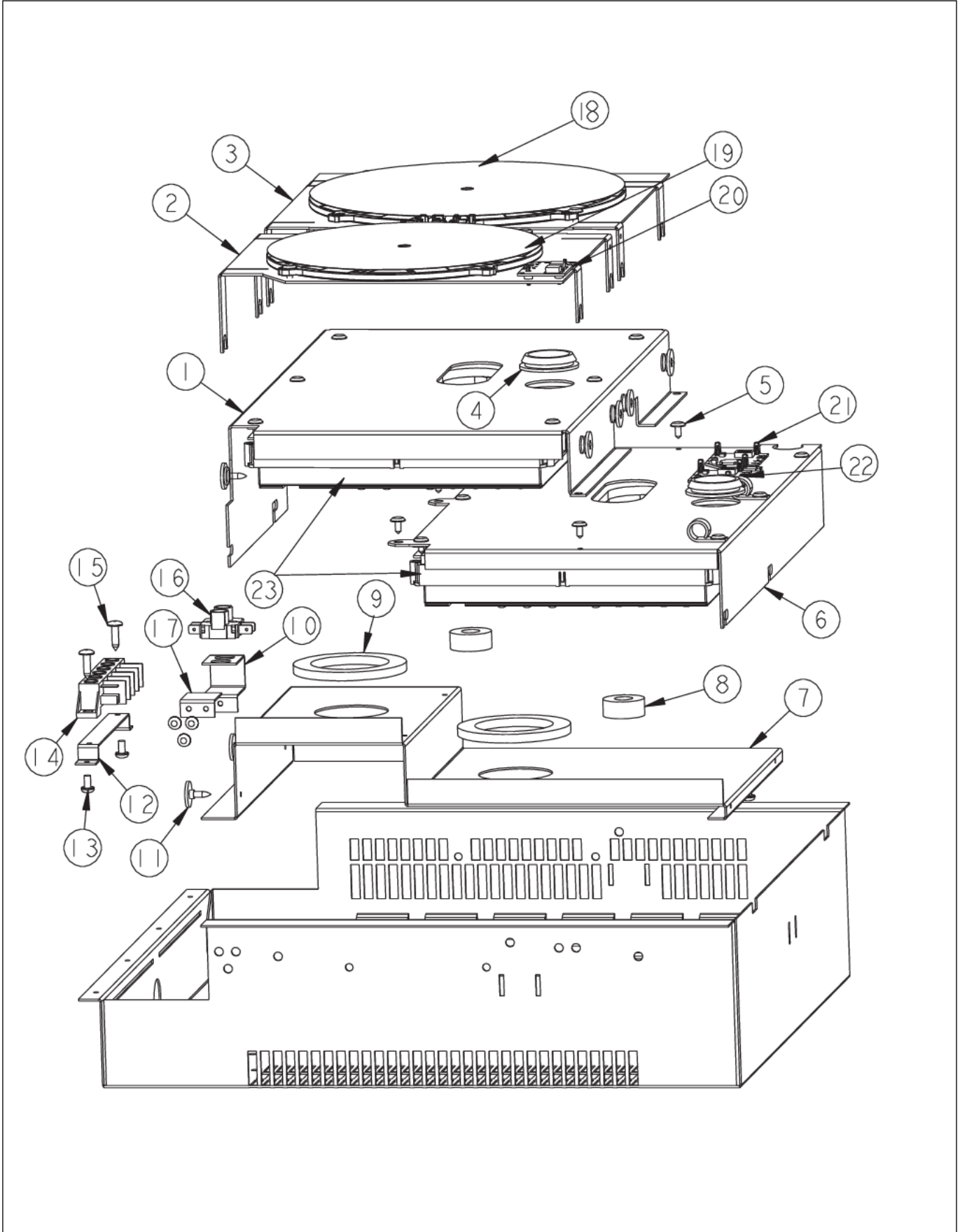






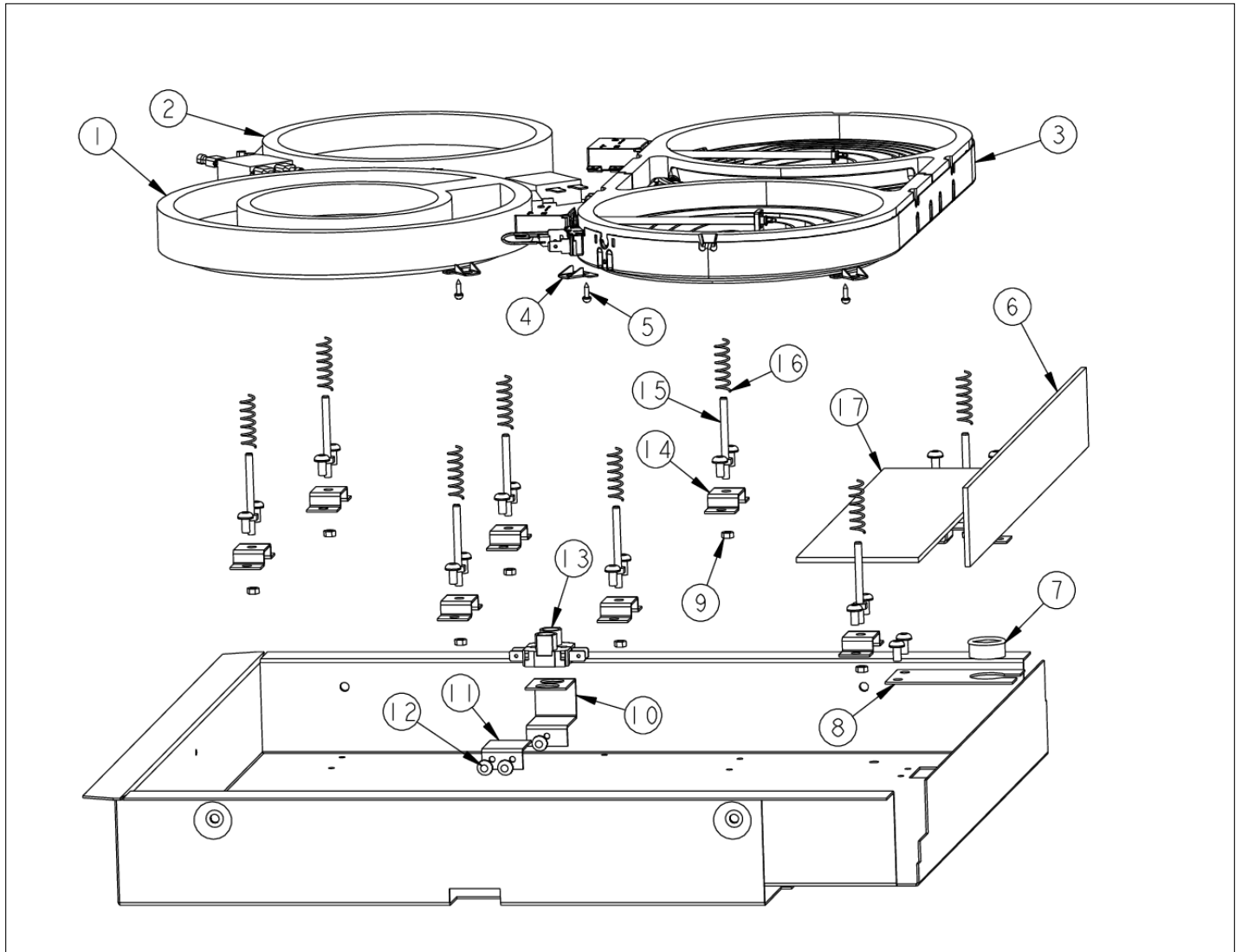
Item	Part No.	Name	Qty	Uom	NOTES
8	PD030137	CAPPED WASHER PAL NUT	1	EA	Not available online / Call for pricing and availability
9	PD030114	INDUCTION CONTROL NUT	1	EA	
10	PD040117	10 MM WASHER	1	EA	
11	003225-000	ROTARY INDUCTION CONTROL	1	EA	
12	G50013539	PJ030028 INFINITE SWITCH SERVICE KIT	1	EA	
13	PJ030019	INFINITE SWITCH	1	EA	
14	PE050079	LENS OPENING	1	EA	
15	PB070078	SILICONE GASKET (DESU)	1	EA	
16	PD020044	#8-32 X 1/4" PH. TR. HD. M.S.	1	EA	
17	PD030006	CAPPED WASHER PAL NUT	1	EA	
18	003135-000	COIL, IND, 210MM	1	EA	
19	003134-000	COIL, IND, 180MM	1	EA	
20	003136-000	INDICATOR, IND, RED	1	EA	
21	003154-042	INDUCTION ADAPTOR COIL, 210MM	1	EA	Not available online / Call for pricing and availability
22	003154-041	INDUCTION ADAPTOR COIL, 180MM	1	EA	
23	003133-000	COOKTOP, GEN	2	EA	
Not Shown	NOTE	(SEE BOARD COMPONENTS PAGE FOR INDIVIDUAL PARTS)		EA	

INDUCTION AREA



Item	Part No.	Name	Qty	Uom	NOTES
1	003158-000	UPPER GENERATOR ASSY	1	EA	
2	003149-000	180MM COIL ASSY	1	EA	
3	003153-000	210MM COIL ASSY	1	EA	
4	PB070320	SILICONE EXTRUSION	1	EA	
5	PD020032	SRW-8(A)X3/8"PH.WFR HD 7/16DIA*NICL	1	EA	
6	003157-000	LOWER GENERATOR ASSY	1	EA	
7	001846-000	FAN SHROUD - NLA	1	EA	NO LONGER AVAILABLE
8	003592-000	CASED CORE	1	EA	
9	003820-000	INDUCTION FAN SEAL - NLA	1	EA	
10	A2005061	LIGHT COVER	1	EA	NO LONGER AVAILABLE, Not available online / Call for pricing and availability
11	014143-000	SCR 10-12 A SHLD TRP 1/2 S ZN BLUE	1	EA	
12	A2005084	INDUCTION TERMINAL BOARD BRACKET	1	EA	NO LONGER AVAILABLE, Not available online / Call for pricing and availability
13	PD020004	10X3/8PH.HD.TYPE 25 REPL PD040125	1	EA	
14	PE070321	RANGE PREHEAT HARNESS	1	EA	
15	PD020014	10X3/4 PH TR HD SMS	1	EA	
16	PE050077	INDICATOR LIGHT	1	EA	
17	A2005062	LIGHT SUPPORT	1	EA	NO LONGER AVAILABLE, Not available online / Call for pricing and availability
18	003135-000	COIL, IND, 210MM	1	EA	
19	003134-000	COIL, IND, 180MM	1	EA	
20	003136-000	INDICATOR, IND, RED	1	EA	
21	003154-042	INDUCTION ADAPTOR COIL, 210MM	1	EA	Not available online / Call for pricing and availability
22	003154-041	INDUCTION ADAPTOR COIL, 180MM	1	EA	
23	003133-000	COOKTOP, GEN	1	EA	

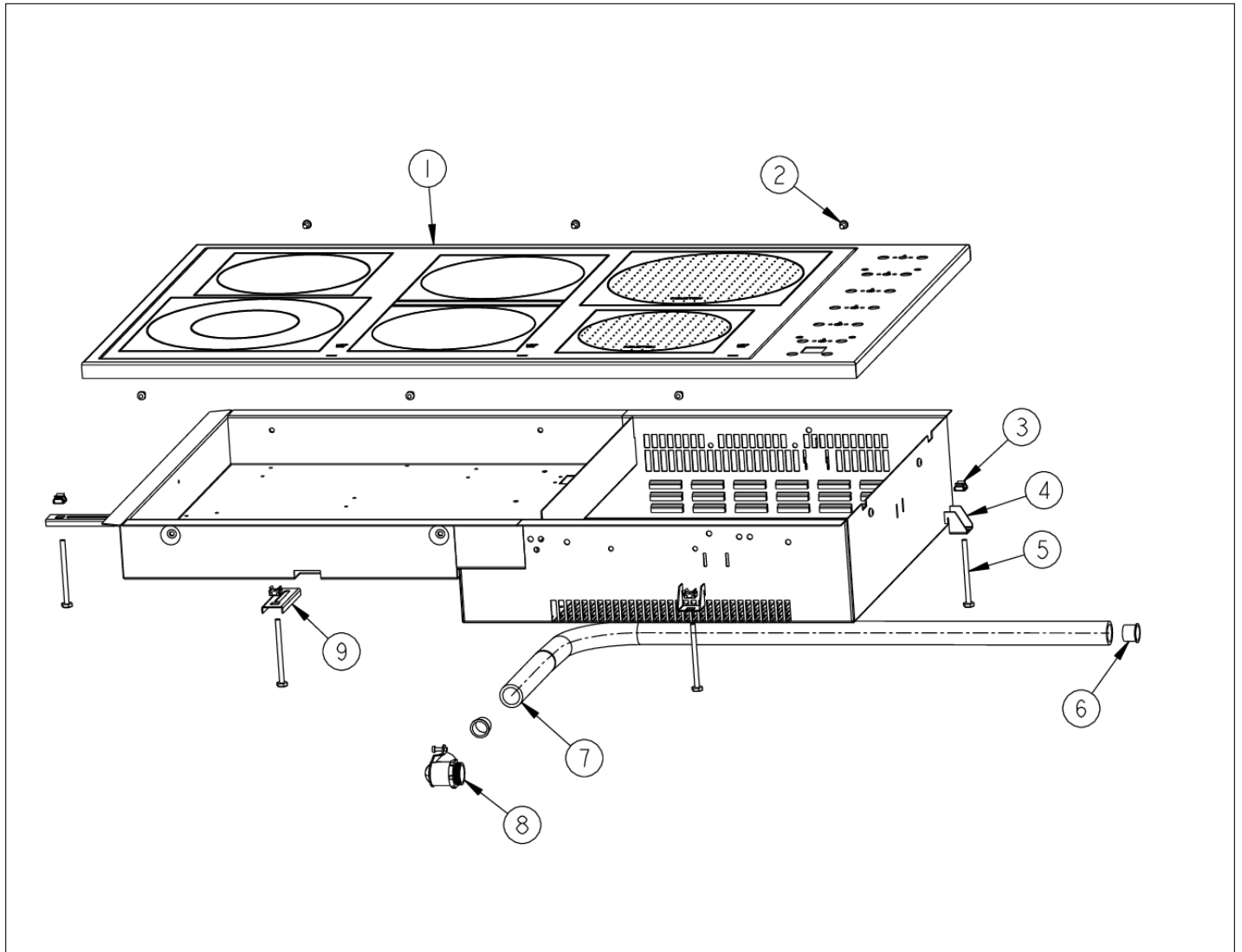
RADIANT AREA





Item	Part No.	Name	Qty	Uom	NOTES
1	PJ020002	ELEMENT 2200 (750)	1	EA	
2	PJ020003	ELEMENT	1	EA	
3	PJ020004	ELEMENT-(2)1800 X 800	1	EA	
4	PM010494	CERAMASPEED BRACKET	1	EA	
5	PD020013	TYPE "AB" #6 X 3/8 PH PAN HD. SMS	1	EA	
6	PB070197	INDUCTION INSULATION BOARD	1	EA	NO LONGER AVAILABLE, Not available online / Call for pricing and availability
7	PD040005	SNAP BUSHING - 7/8"	1	EA	
8	A10010652	ROUTING PLATE	1	EA	NO LONGER AVAILABLE, Not available online / Call for pricing and availability
9	PD030012	6-32 HEX NUT	1	EA	
10	A2005061	LIGHT COVER	1	EA	NO LONGER AVAILABLE, Not available online / Call for pricing and availability
11	A2005062	LIGHT SUPPORT	1	EA	NO LONGER AVAILABLE, Not available online / Call for pricing and availability
12	PD020004	10X3/8PH.HD.TYPE 25 REPL PD040125	1	EA	
13	PE050077	INDICATOR LIGHT	1	EA	
14	A2005055	BOTTOM ELEMENT BRACKET (VESU)	1	EA	NO LONGER AVAILABLE
15	PD010148	ELEMENT STUD	1	EA	
16	PC010006	GUIDE SPRING DESU	1	EA	
17	PB070198	INDUCTION INSULATION BOARD	1	EA	NO LONGER AVAILABLE, Not available online / Call for pricing and availability

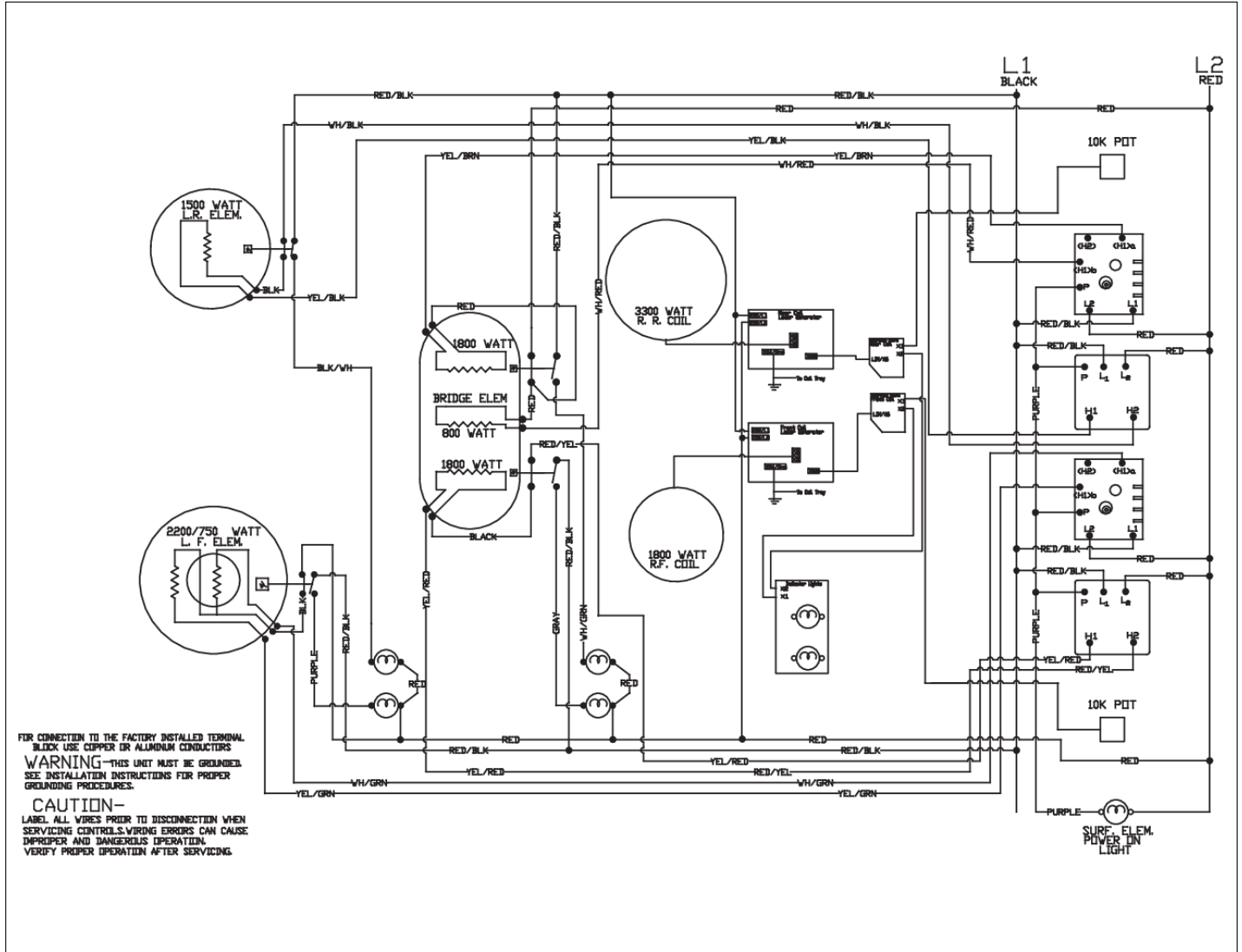
UNIT EXTERIOR





Item	Part No.	Name	Qty	Uom	NOTES
1	G50012149	36" VCCU TOP ASSY (BLACK)	1	EA	
1	G50012936	36" VCCU TOP ASSY (WHITE)	1	EA	Not available online / Call for pricing and availability
2	PD020004	10X3/8PH.HD.TYPE 25 REPL PD040125	1	EA	
3	PD030029	SELF RETAINING NUT (1/4-20)	1	EA	
4	A2005721	MOUNT BRACKET (DECU)	1	EA	
5	PD020123	BOLT 1/4-20 X 3 HEX HD	1	EA	
6	PD040131	CONDUIT GROMMET (3/4")	1	EA	NO LONGER AVAILABLE, Not available online / Call for pricing and availability
7	PB020259	3/4" CONDUIT	1	EA	NO LONGER AVAILABLE, Not available online / Call for pricing and availability
8	PB040259	90 DEG. 3/4" CONDUIT FITTING	1	EA	NO LONGER AVAILABLE, Not available online / Call for pricing and availability
9	A2003053	Retainer Bracket	1	EA	

WIRING







Item	Part No.	Name	Qty	Uom	NOTES
NI	PE070456	36" 4/2 INDUCTION HARNESS	1	EA	NO LONGER AVAILABLE
NI	G4003016	GREEN - SUPPLY WIRE	1	EA	NO LONGER AVAILABLE, Not available online / Call for pricing and availability





Appendix A:Pages Index

BOARD COMPONENTS .....	1
CONTROL AREA .....	2
INDUCTION AREA .....	3
RADIANT AREA .....	4
UNIT EXTERIOR .....	5
WIRING .....	6
WIRING DIAGRAM .....	7



Appendix B:Parts Index

001846-000	3	PB040259	5
003133-000	2, 3	PB070078	2
003134-000	2, 3	PB070197	4
003135-000	2, 3	PB070198	4
003136-000	2, 3	PB070320	3
003149-000	3	PC010006	4
003153-000	3	PD010148	4
003154-041	2, 3	PD020004	3, 4, 5
003154-042	2, 3	PD020013	4
003157-000	3	PD020014	3
003158-000	3	PD020032	3
003225-000	2	PD020044	2
003592-000	3	PD020123	5
003820-000	3	PD030006	2
014143-000	3	PD030012	4
015127-000	1	PD030029	5
015129-000	1	PD030114	2
015131-000	1	PD030137	2
015132-000	1	PD040005	4
A10010652	4	PD040117	2
A2003053	5	PD040131	5
A2005055	4	PE010191	2
A2005061	3, 4	PE010192	2
A2005062	3, 4	PE010193	2
A2005084	3	PE010194	2
A2005721	5	PE040251	2
G4003016	6	PE040334	2
G50012149	5	PE040337	2
G50012164BK	2	PE050077	3, 4
G50012164BKBR	2	PE050079	2
G50012164WH	2	PE050187	2
G50012164WHBR	2	PE070321	3
G50012165BK	2	PE070456	6
G50012165BKBR	2	PJ020002	4
G50012165WH	2	PJ020003	4
G50012165WHBR	2	PJ020004	4
G50012936	5	PJ030019	2
G50013539	2	PM010494	4
PB010262	2		
PB020259	5		