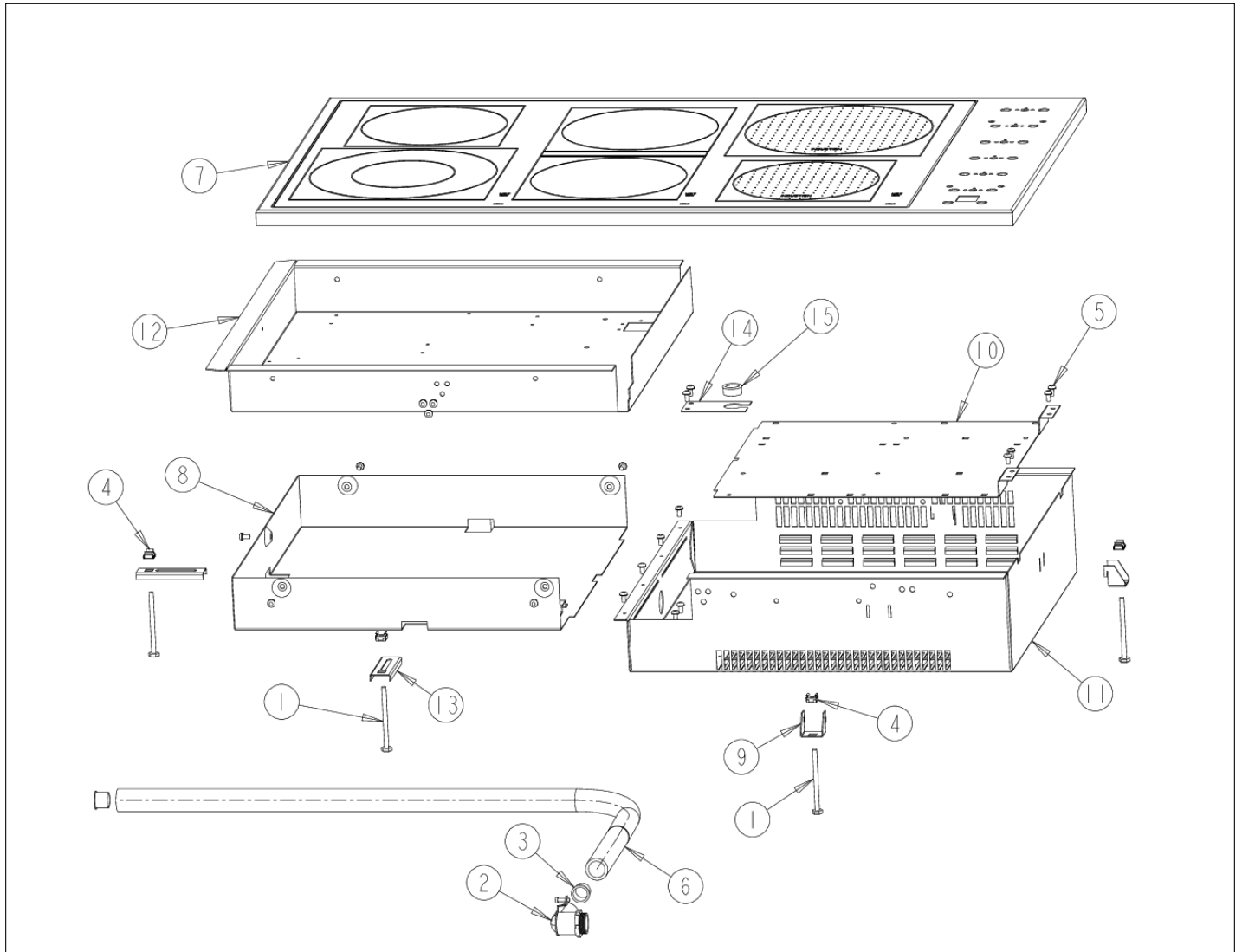


VCCU165

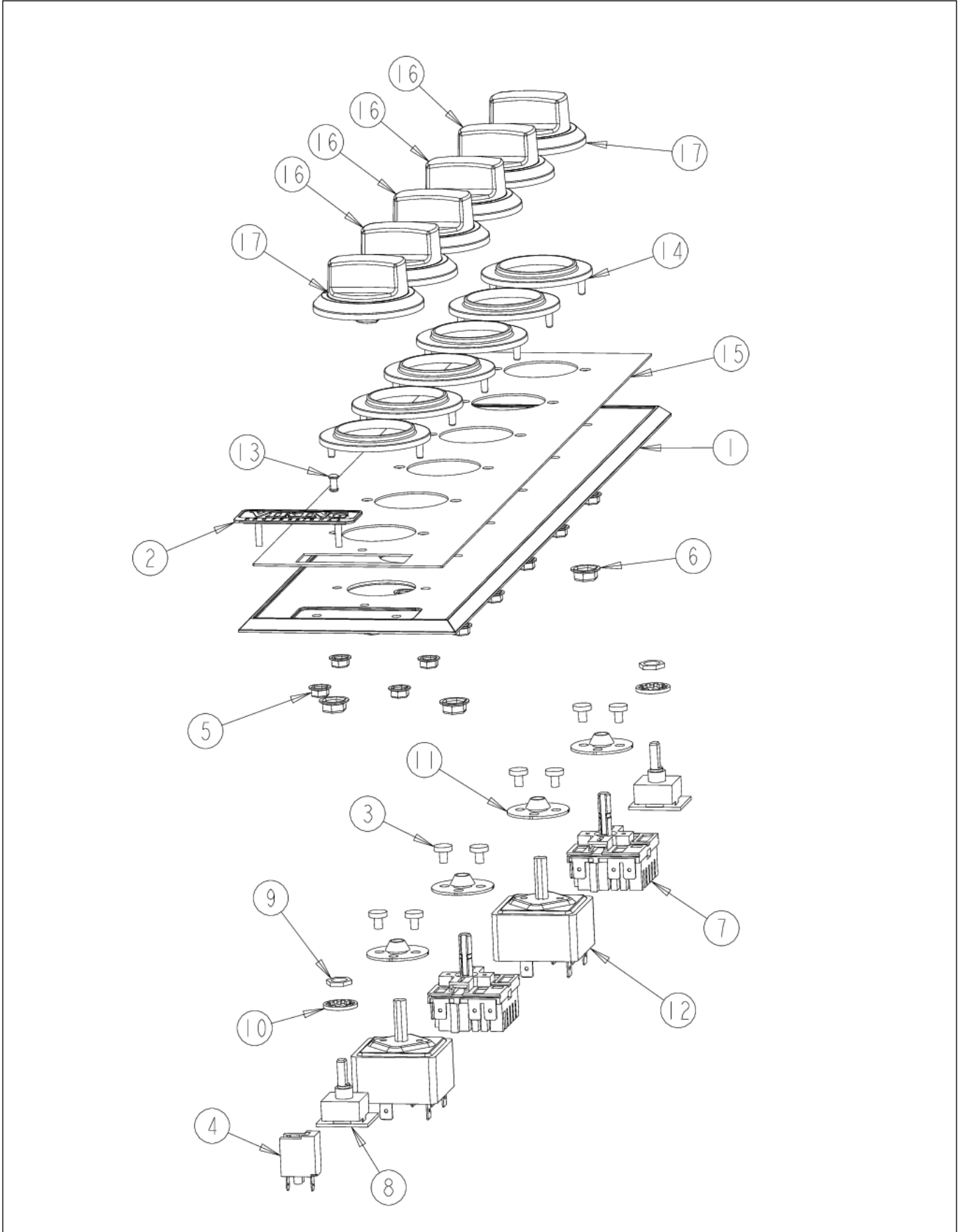
BURNER BOX AREA	1
CONTROL AREA	2
INDUCTION AREA	3
RADIANT AREA	4
WIRING	5
Appendix A:Pages Index	A
Appendix B:Parts Index	B

BURNER BOX AREA



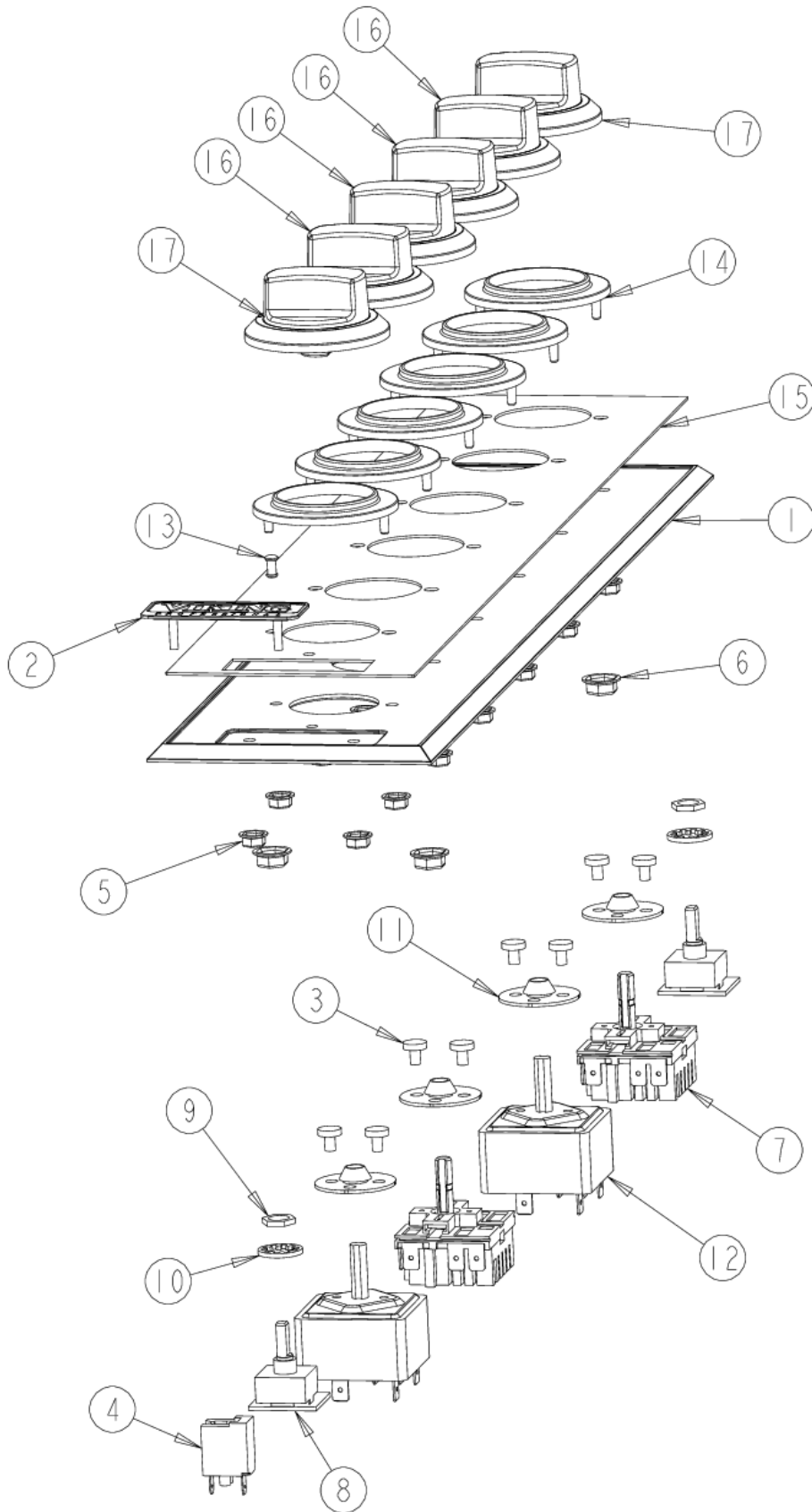
Item	Part No.	Name	Qty	Uom	NOTES
1	PD020123	BOLT 1/4-20 X 3 HEX HD	1	EA	
2	PB040259	90 DEG. 3/4" CONDUIT FITTING	1	EA	NO LONGER AVAILABLE, Not available online / Call for pricing and availability
3	PD040131	CONDUIT GROMMET (3/4")	1	EA	NO LONGER AVAILABLE, Not available online / Call for pricing and availability
4	PD030029	SELF RETAINING NUT (1/4-20)	1	EA	
5	PD020004	10X3/8PH.HD.TYPE 25 REPL PD040125	1	EA	
6	PB020259	3/4" CONDUIT	1	EA	NO LONGER AVAILABLE, Not available online / Call for pricing and availability
7	G50012149	36" VCCU TOP ASSY (BLACK)	1	EA	
Not Shown	G50012936	36" VCCU TOP ASSY (WHITE)	1	EA	Not available online / Call for pricing and availability
8	A2005082	BOTTOM COVER	1	EA	NO LONGER AVAILABLE, Not available online / Call for pricing and availability
9	A2005721	MOUNT BRACKET (DECU)	1	EA	
10	A20010649	INDUCTION BOARD PLATE	1	EA	NO LONGER AVAILABLE
11	A3005081	INDUCTION BURNER BOX	1	EA	NO LONGER AVAILABLE, Not available online / Call for pricing and availability
12	A3005097	INDUCTION RADIANT BURNER BOX	1	EA	NO LONGER AVAILABLE, Not available online / Call for pricing and availability
13	A2003053	Retainer Bracket	1	EA	
14	A10010652	ROUTING PLATE	1	EA	NO LONGER AVAILABLE, Not available online / Call for pricing and availability
15	PD040005	SNAP BUSHING - 7/8"	1	EA	

CONTROL AREA





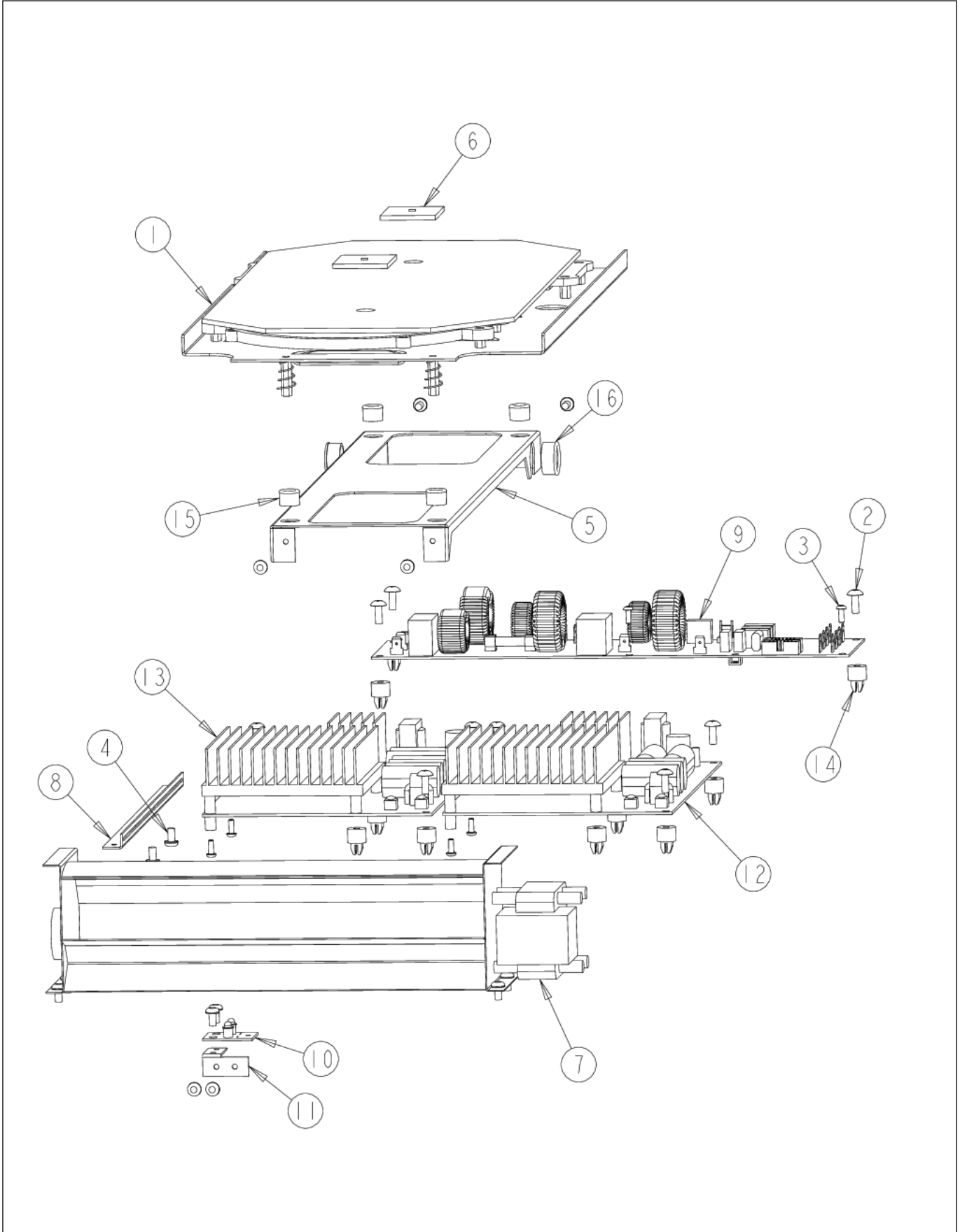
Item	Part No.	Name	Qty	Uom	NOTES
1	PE040251	36" ELECTRIC CONTROL PANEL	1	EA	
Not Shown	PE040251PVD	36" ELECTRIC CONTROL PANEL *PVD*	1	EA	NO LONGER AVAILABLE, Not available online / Call for pricing and availability
2	PE010191	2 1/2" VIKING LOGO BLACK/CHROME	1	EA	
Not Shown	PE010166	VIKING LOGO BRASS	1	EA	NO LONGER AVAILABLE
Not Shown	PE010176	2.5" WHITE CHROME LOGO	1	EA	Not available online / Call for pricing and availability
Not Shown	PE010177	2.5" WHITE BRASS LOGO	1	EA	
3	PD020044	#8-32 X 1/4" PH. TR. HD. M.S.	1	EA	
4	PE050079	LENS OPENING	1	EA	
5	PD030006	CAPPED WASHER PAL NUT	1	EA	
6	PD030137	CAPPED WASHER PAL NUT	1	EA	Not available online / Call for pricing and availability
7	G50013539	PJ030028 INFINITE SWITCH SERVICE KIT	1	EA	
8	PE070364	POT ASSY - GRAY 28.5" (12-4200)	1	EA	
9	PD030114	INDUCTION CONTROL NUT	1	EA	
10	PD040117	10 MM WASHER	1	EA	
11	PB070078	SILICONE GASKET (DESU)	1	EA	
12	PJ030019	INFINITE SWITCH	1	EA	
13	PE050187	POWER LIGHT LENS	1	EA	
14	PB010262	LOWER BEZEL	1	EA	
15	PE040334	VCCU PANEL GRAPHICS INLAY 36" BK	1	EA	
Not Shown	PE040266	VCCU 36" CONTROL PANEL INLAY WHITE GRAPHICS	1	EA	NO LONGER AVAILABLE, Not available online / Call for pricing and availability
16	G50012164BK	INFINITE KNOB BEZEL ASSY *BK*	1	EA	





Item	Part No.	Name	Qty	Uom	NOTES
Not Shown	G50012164BKBR	INFINITE KNOB BEZEL ASSY *BKBR*	1	EA	NO LONGER AVAILABLE
Not Shown	G50012164WH	INFINITE KNOB BEZEL ASSY *WH*	1	EA	NO LONGER AVAILABLE, Not available online / Call for pricing and availability
Not Shown	G50012164WHBR	INFINITE KNOB BEZEL ASSY *WHBR*	1	EA	NO LONGER AVAILABLE, Not available online / Call for pricing and availability
17	G50012165BK	INDUCTION KNOB BEZEL ASSY *BK*	1	EA	
Not Shown	G50012165BKBR	INDUCTION KNOB ASSEMBLY - BK / BR	1	EA	
Not Shown	G50012165WH	INDUCTION KNOB BEZEL ASSY *WH*	1	EA	NO LONGER AVAILABLE, Not available online / Call for pricing and availability
Not Shown	G50012165WHBR	INDUCTION KNOB BEZEL ASSY *WHBR*	1	EA	NO LONGER AVAILABLE, Not available online / Call for pricing and availability

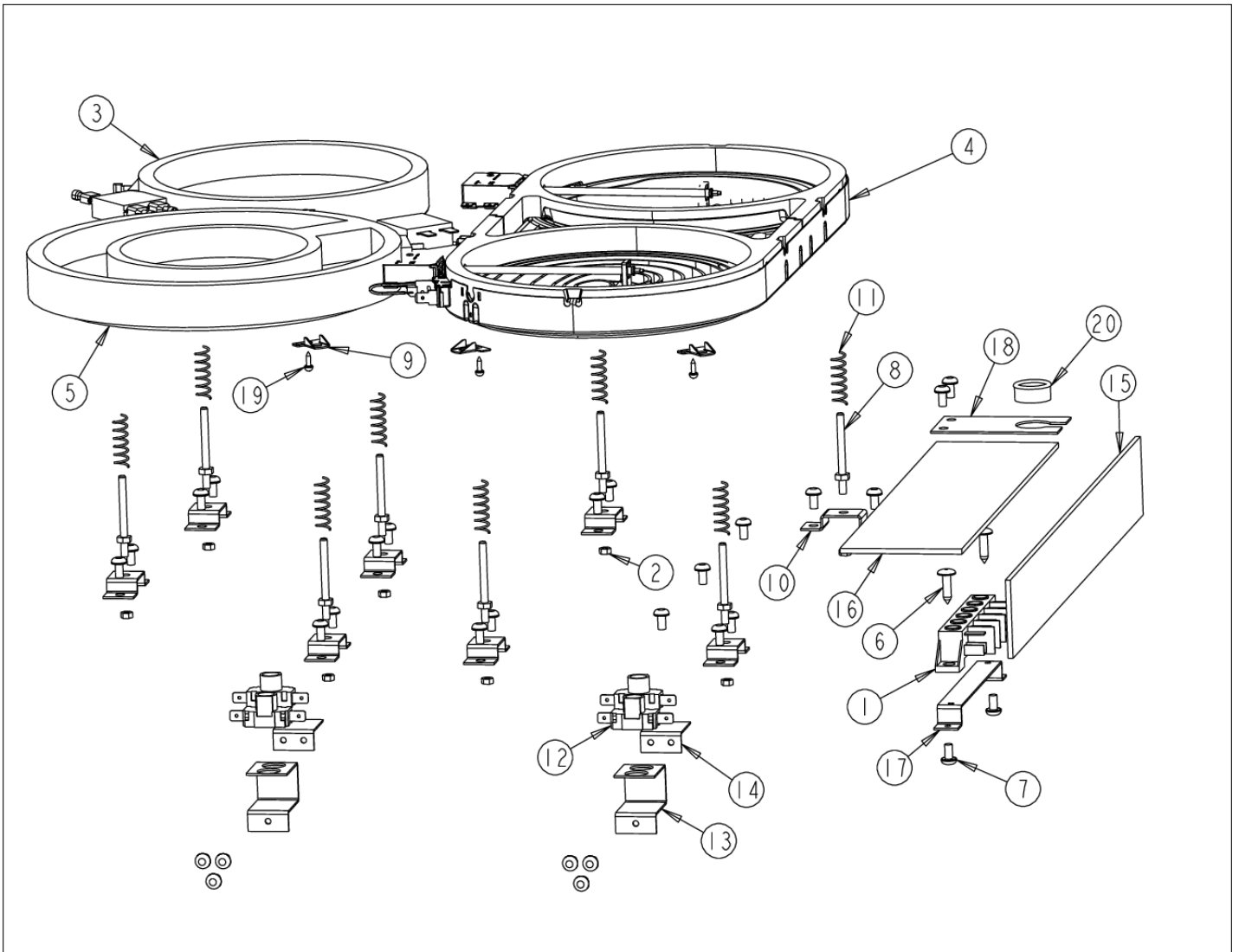
INDUCTION AREA





Item	Part No.	Name	Qty	Uom	NOTES
1	PE070769	COIL TRAY ASSEMBLY (71-0102)	1	EA	
2	PD010003	10-24 X 1/2 PH.TR.HD.SERD.M.S.	1	EA	
3	PD020076	6-32 X 3/8" PHILL PAN MS	1	EA	
4	PD020004	10X3/8PH.HD.TYPE 25 REPL PD040125	1	EA	
5	A20014410	BURNER SUPPORT	1	EA	NO LONGER AVAILABLE, Not available online / Call for pricing and availability
6	PE070761	INDUCTION THERMAL LIMITER	1	EA	
7	PE070365	COOLING FAN	1	EA	
8	A20010651	INDUCTION BOARD BRACE	1	EA	NO LONGER AVAILABLE, Not available online / Call for pricing and availability
9	PE070302	MIXED FUEL EMI BOARD	1	EA	
10	PE070519	INDUCTION LED ASSEMBLY	1	EA	
11	A20010645	INDUCTION LED BRACKET	1	EA	NO LONGER AVAILABLE
12	PE070301	INDUCTION FULL POWER BOARD	1	EA	
13	PE070485	INDUCTION HALF POWER BOARD	1	EA	
14	PD030033	GROMMET NUT-ROUND HD. #8 X .500DIA.	1	EA	
15	PD040021	1/2" BUSHING (VGRC)	1	EA	
16	PD040005	SNAP BUSHING - 7/8"	1	EA	

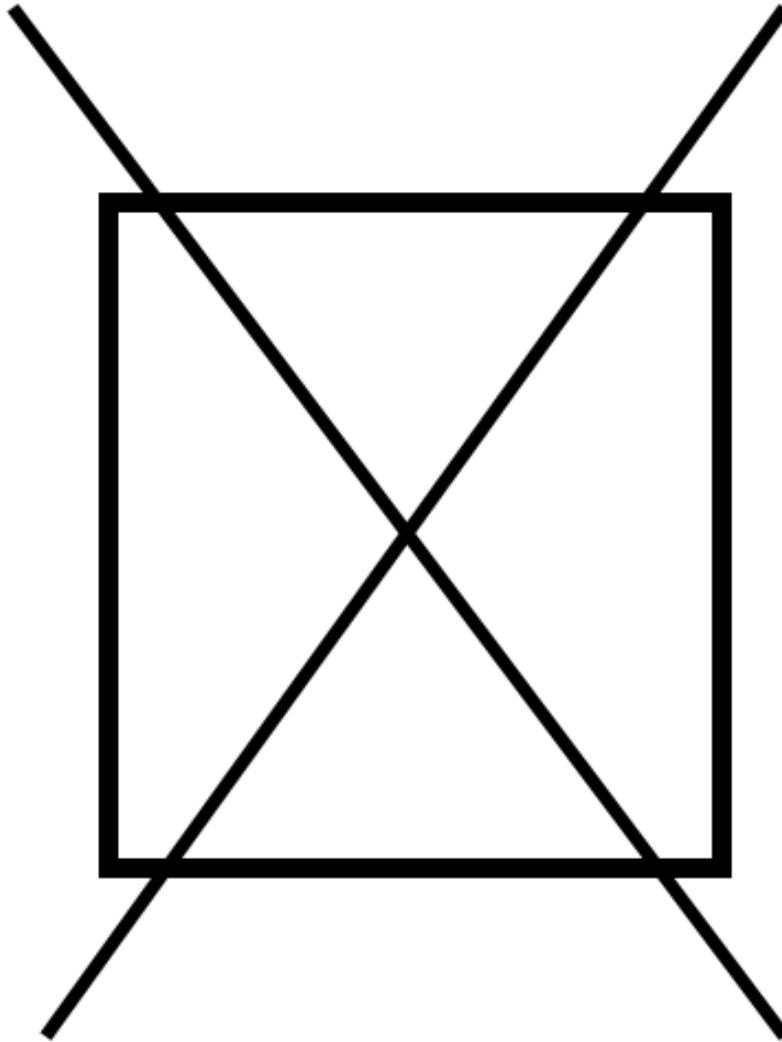
Item	Part No.	Name	Qty	Uom	NOTES
1	054135-000	BLOCK, TERMINAL, 6-POLE (Heyco # 9454)	1	EA	
2	PD030012	6-32 HEX NUT	1	EA	
3	PJ020003	ELEMENT	1	EA	
4	PJ020004	ELEMENT-(2)1800 X 800	1	EA	
5	PJ020002	ELEMENT 2200 (750)	1	EA	
6	PD020014	10X3/4 PH TR HD SMS	1	EA	
7	PD020004	10X3/8PH.HD.TYPE 25 REPL PD040125	1	EA	
8	PD010148	ELEMENT STUD	1	EA	
9	PM010194	CERAMA-SPEED BRACKET	1	EA	Not available online / Call for pricing and availability
10	A2005055	BOTTOM ELEMENT BRACKET (VESU)	1	EA	NO LONGER AVAILABLE
11	PC010006	GUIDE SPRING DESU	1	EA	
12	PE050077	INDICATOR LIGHT	1	EA	
13	A2005061	LIGHT COVER	1	EA	NO LONGER AVAILABLE, Not available online / Call for pricing and availability
14	A2005062	LIGHT SUPPORT	1	EA	NO LONGER AVAILABLE, Not available online / Call for pricing and availability
15	PB070197	INDUCTION INSULATION BOARD	1	EA	NO LONGER AVAILABLE, Not available online / Call for pricing and availability
16	PB070198	INDUCTION INSULATION BOARD	1	EA	NO LONGER AVAILABLE, Not available online / Call for pricing and availability
17	A2005084	INDUCTION TERMINAL BOARD BRACKET	1	EA	NO LONGER AVAILABLE, Not available online / Call for pricing and availability
18	A10010652	ROUTING PLATE	1	EA	NO LONGER AVAILABLE, Not available online / Call for pricing and availability





Item	Part No.	Name	Qty	Uom	NOTES
19	PD020013	TYPE "AB" #6 X 3/8 PH PAN HD. SMS	1	EA	
20	PD040005	SNAP BUSHING - 7/8"	1	EA	

NON ILLUSTRATED PART





Item	Part No.	Name	Qty	Uom	NOTES
NI	PE070456	36" 4/2 INDUCTION HARNESS	1	EA	NO LONGER AVAILABLE
NI	G4003016	GREEN - SUPPLY WIRE	1	EA	NO LONGER AVAILABLE, Not available online / Call for pricing and availability



Appendix A:Pages Index

BURNER BOX AREA	1
CONTROL AREA	2
INDUCTION AREA	3
RADIANT AREA	4
WIRING	5



Appendix B:Parts Index

054135-000	4	PD020076	3
A10010652	1, 4	PD020123	1
A20010645	3	PD030006	2
A20010649	1	PD030012	4
A20010651	3	PD030029	1
A20014410	3	PD030033	3
A2003053	1	PD030114	2
A2005055	4	PD030137	2
A2005061	4	PD040005	1, 3, 4
A2005062	4	PD040021	3
A2005082	1	PD040117	2
A2005084	4	PD040131	1
A2005721	1	PE010166	2
A3005081	1	PE010176	2
A3005097	1	PE010177	2
G4003016	5	PE010191	2
G50012149	1	PE040251	2
G50012164BK	2	PE040251PVD	2
G50012164BKBR	2	PE040266	2
G50012164WH	2	PE040334	2
G50012164WHBR	2	PE050077	4
G50012165BK	2	PE050079	2
G50012165BKBR	2	PE050187	2
G50012165WH	2	PE070301	3
G50012165WHBR	2	PE070302	3
G50012936	1	PE070364	2
G50013539	2	PE070365	3
PB010262	2	PE070456	5
PB020259	1	PE070485	3
PB040259	1	PE070519	3
PB070078	2	PE070761	3
PB070197	4	PE070769	3
PB070198	4	PJ020002	4
PC010006	4	PJ020003	4
PD010003	3	PJ020004	4
PD010148	4	PJ030019	2
PD020004	1, 3, 4	PM010194	4
PD020013	4		
PD020014	4		
PD020044	2		