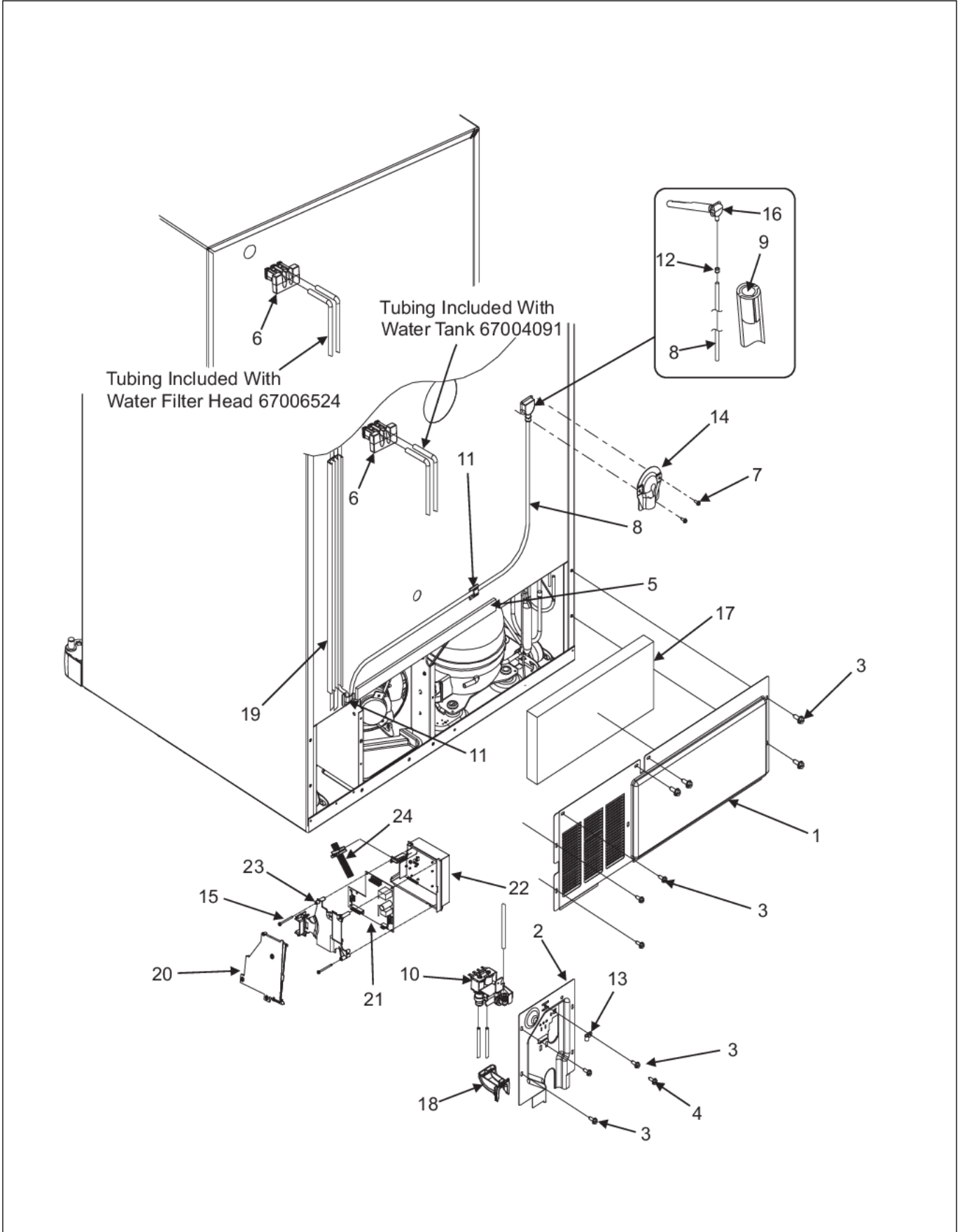


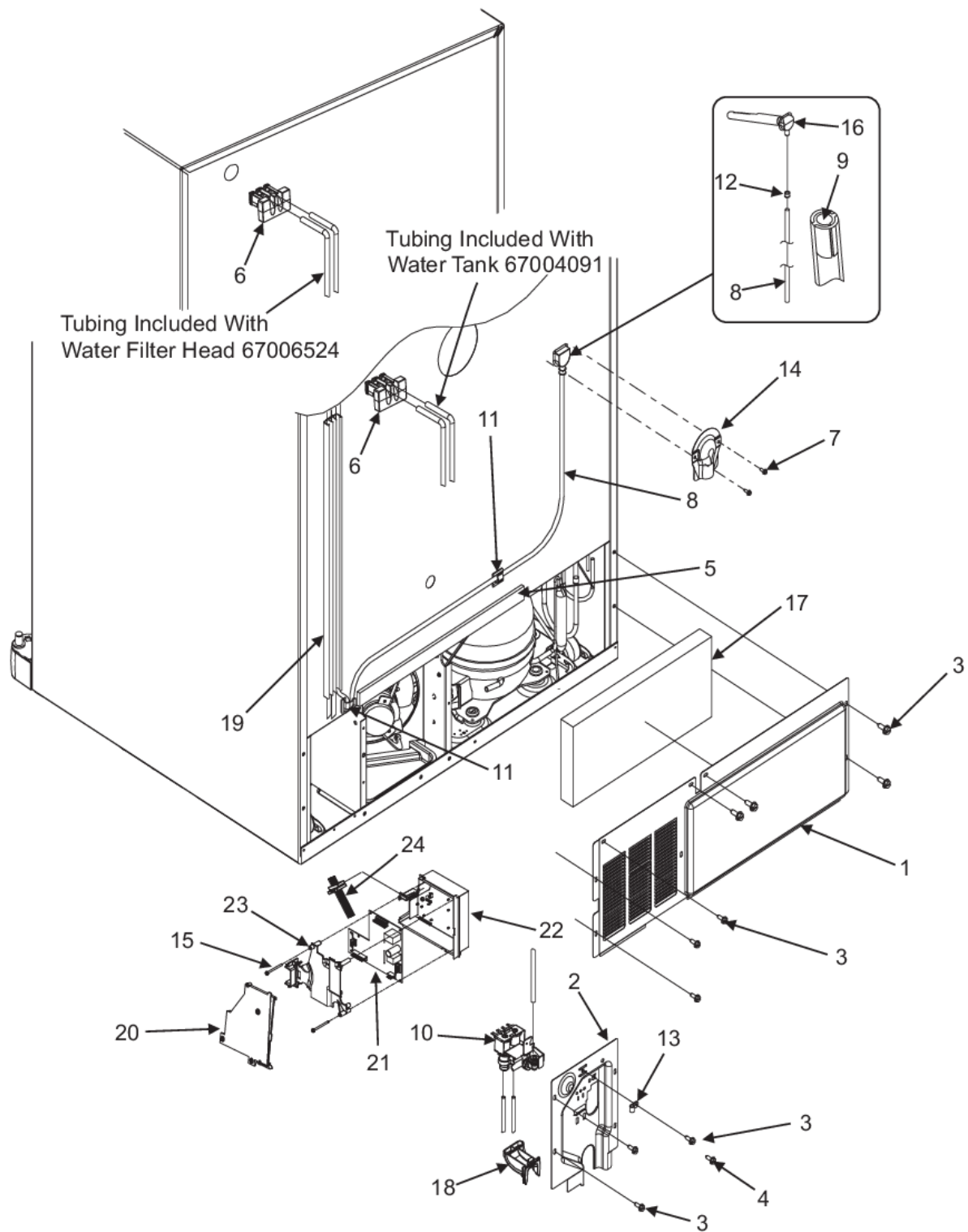
VCBF036

CABINET BACK	1
COMPRESSOR	2
CONTROLS	3
CRISPER ASSEMBLY	4
EVAPORATOR AREA AND ROLLERS	5
FREEZER DOOR	6
ICE MAKER	7
INTERIOR CABINET	8
PANTRY ASSEMBLY	9
REFRIGERATOR DOOR	10
REFRIGERATOR SHELVES	11
WATER DISPENSER	12
WIRING DIAGRAM	13
Appendix A:Pages Index	A
Appendix B:Parts Index	B

CABINET BACK



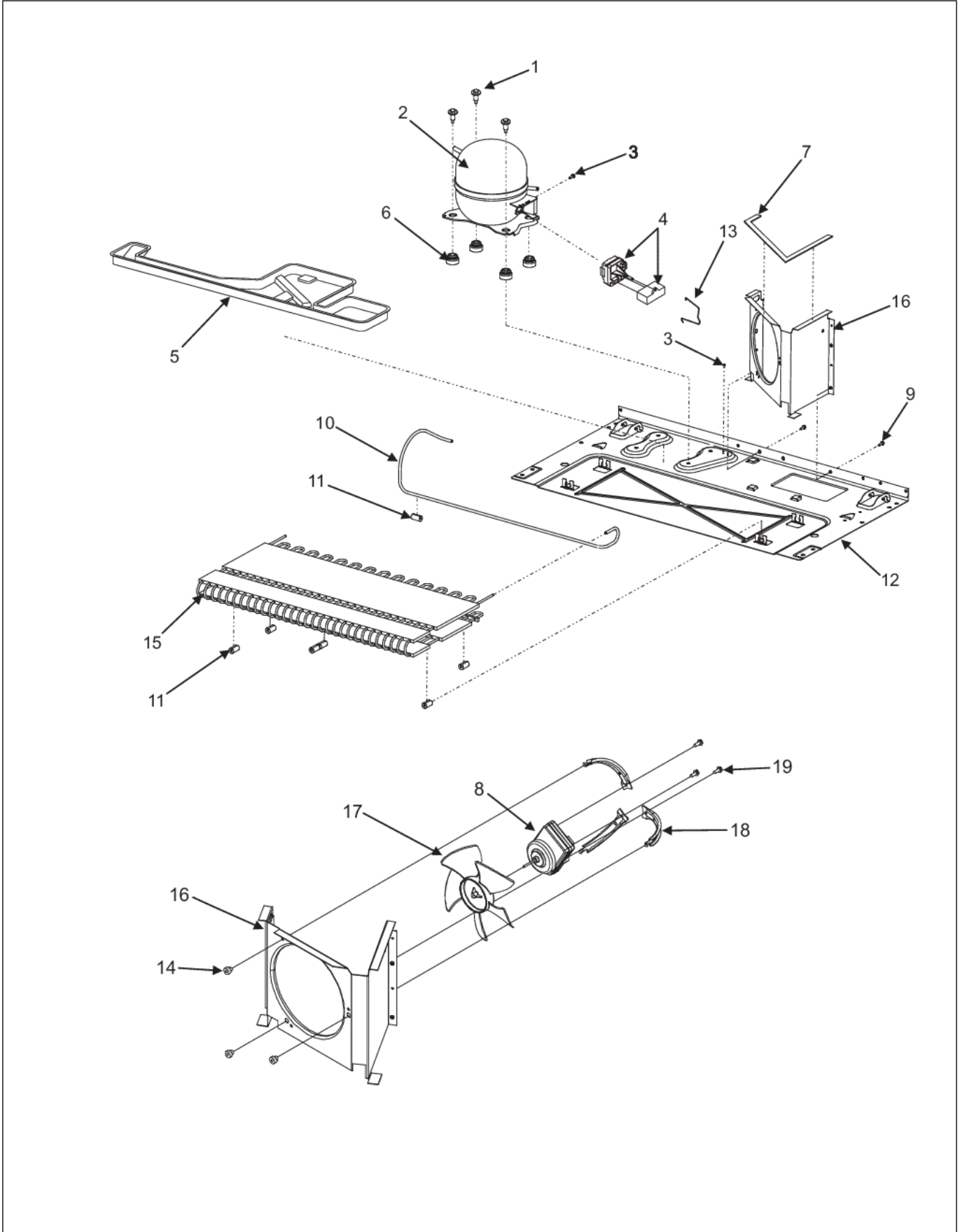
Item	Part No.	Name	Qty	Uom	NOTES
1	PS400172	COVER, MC BACK (67006101)	1	EA	
2	PS400173	COVER, WATER VALVE (67004098)	1	EA	
3	PS400129	SCREW, SMALL (67006425)	1	EA	
4	PS400174	SCREW, VALVE (67006662)	1	EA	NO LONGER AVAILABLE, Not available online / Call for pricing and availability
5	PS400175	GASKET	1	EA	NO LONGER AVAILABLE, Not available online / Call for pricing and availability
6	PS400176	BLOCK, FILTER (67004092)	1	EA	NO LONGER AVAILABLE
7	PS400013	SCREW, DOOR STOP (67006287)	1	EA	NO LONGER AVAILABLE
8	PS400177	PLASTIC TUBE (B5705307)	1	EA	
9	PS400178	INSERT, TUBE	1	EA	
10	PS400179	DUAL WATER VALVE (67006531)	1	EA	
11	PS400180	CLIP	1	EA	
12	PS400181	CLIP, SPEED (M0114003)	1	EA	
13	PS400182	CLAMP, TUBE	1	EA	NO LONGER AVAILABLE
14	PS400183	COVER, WATER LINE (67003331)	1	EA	NO LONGER AVAILABLE, Not available online / Call for pricing and availability
15	PS400184	SCREW, HV BOX (67006550)	1	EA	
16	PS400185	ELBOW, FILL TUBE	1	EA	
17	PS400186	ACOUSTIC FIBER (67003796)	1	EA	NO LONGER AVAILABLE
18	PS400187	DUAL TUBE SWEEP (67004101)	1	EA	NO LONGER AVAILABLE, Not available online / Call for pricing and availability
19	PS400188	WATERLINE TRACK (67004102)	1	EA	
20	PS400189	COVER, HV BOX (67005421)	1	EA	NO LONGER AVAILABLE



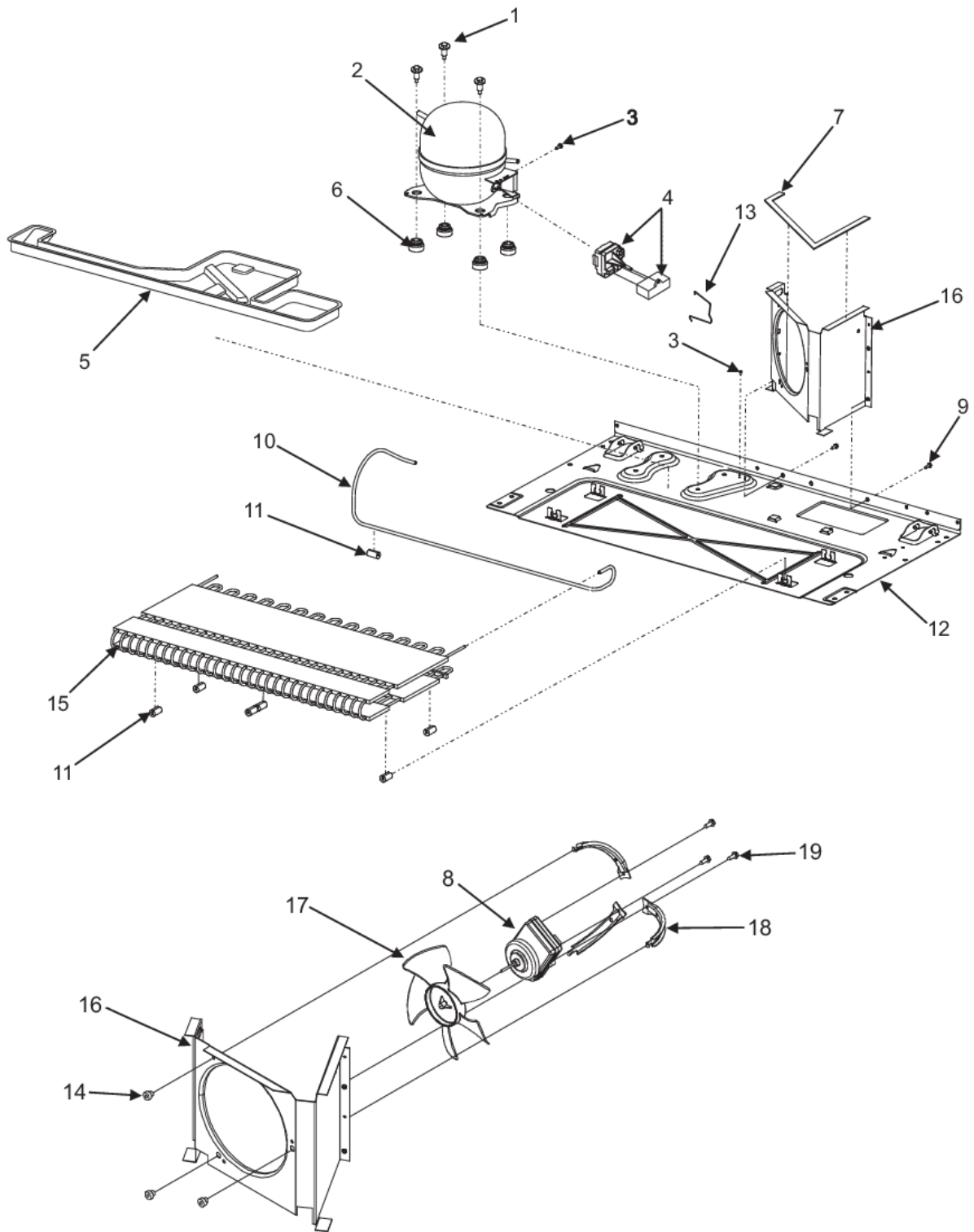


Item	Part No.	Name	Qty	Uom	NOTES
NI	PS400190	SCREW, HV BOX COVER (67006615)	1	EA	NO LONGER AVAILABLE, Not available online / Call for pricing and availability
21	PS400191	HV BOARD (INC. INSTRUCTIONS)	1	EA	NO LONGER AVAILABLE
22	PS400192	BOX, HV CONTROL (67004969)	1	EA	NO LONGER AVAILABLE
23	PS400193	SPACER, HV BOX (67005418)	1	EA	NO LONGER AVAILABLE
24	PS400194	HARNESS, HV BOARD (67005419)	1	EA	NO LONGER AVAILABLE, Not available online / Call for pricing and availability
NI	PS400195	POWER CORD (67006506)	1	EA	

COMPRESSOR



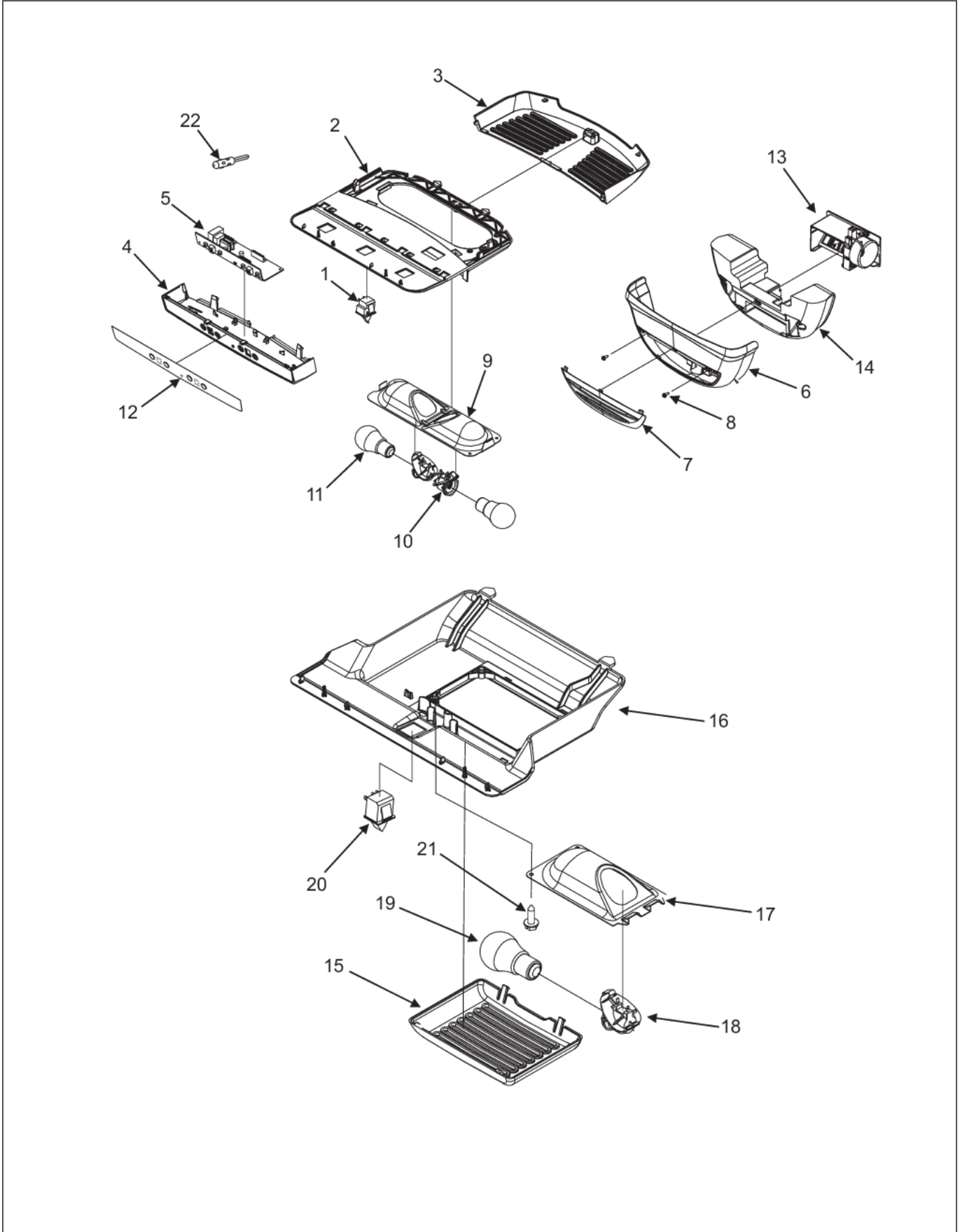
Item	Part No.	Name	Qty	Uom	NOTES
1	PS400153	SCREW, COMPRESSOR (67006432)	1	EA	
2	PS400154	COMPRESSOR KIT (8201555)	1	EA	
Not Shown	NOTE	(INC. COMPRESSOR, OVERLOAD, RELAY, CAPACITOR)		EA	
Not Shown	NOTE	BALE STRAP, GROMMMETS, & INSTR. SHEET)		EA	
3	PS400155	GROUND SCREW (67006433)	1	EA	NO LONGER AVAILABLE, Not available online / Call for pricing and availability
4	PS400156	OVERLOAD AND RELAY W/CAPICITOR (67005560)	1	EA	
5	021899-000	PAN, DRAIN	1	EA	
6	PS400158	GROMMET, COMPRESSOR (67003493)	1	EA	
7	PS400159	SEAL, CONDENSER SHROUD (61003210)	1	EA	NO LONGER AVAILABLE, Not available online / Call for pricing and availability
8	PS400160	MOTOR, CONDENSER FAN (67004432)	1	EA	
9	PS400129	SCREW, SMALL (67006425)	1	EA	
10	PS400161	DISCHARGE TUBE (67004700)	1	EA	
11	PS400162	GROMMET CONDENSER (67005680)	1	EA	
12	PS400163	BASE PAN (67005889)	1	EA	NO LONGER AVAILABLE
13	PS400164	BALE STRAP (12576801)	1	EA	NO LONGER AVAILABLE, Not available online / Call for pricing and availability
14	PS400165	GROMMET BRACKET (61004743)	1	EA	NO LONGER AVAILABLE, Not available online / Call for pricing and availability
15	PS400166	CONDENSER (67006131)	1	EA	
16	PS400167	SHROUD, CONDENSER FAN (67001090)	1	EA	NO LONGER AVAILABLE
17	PS400168	BLADE, FAN (67004952)	1	EA	



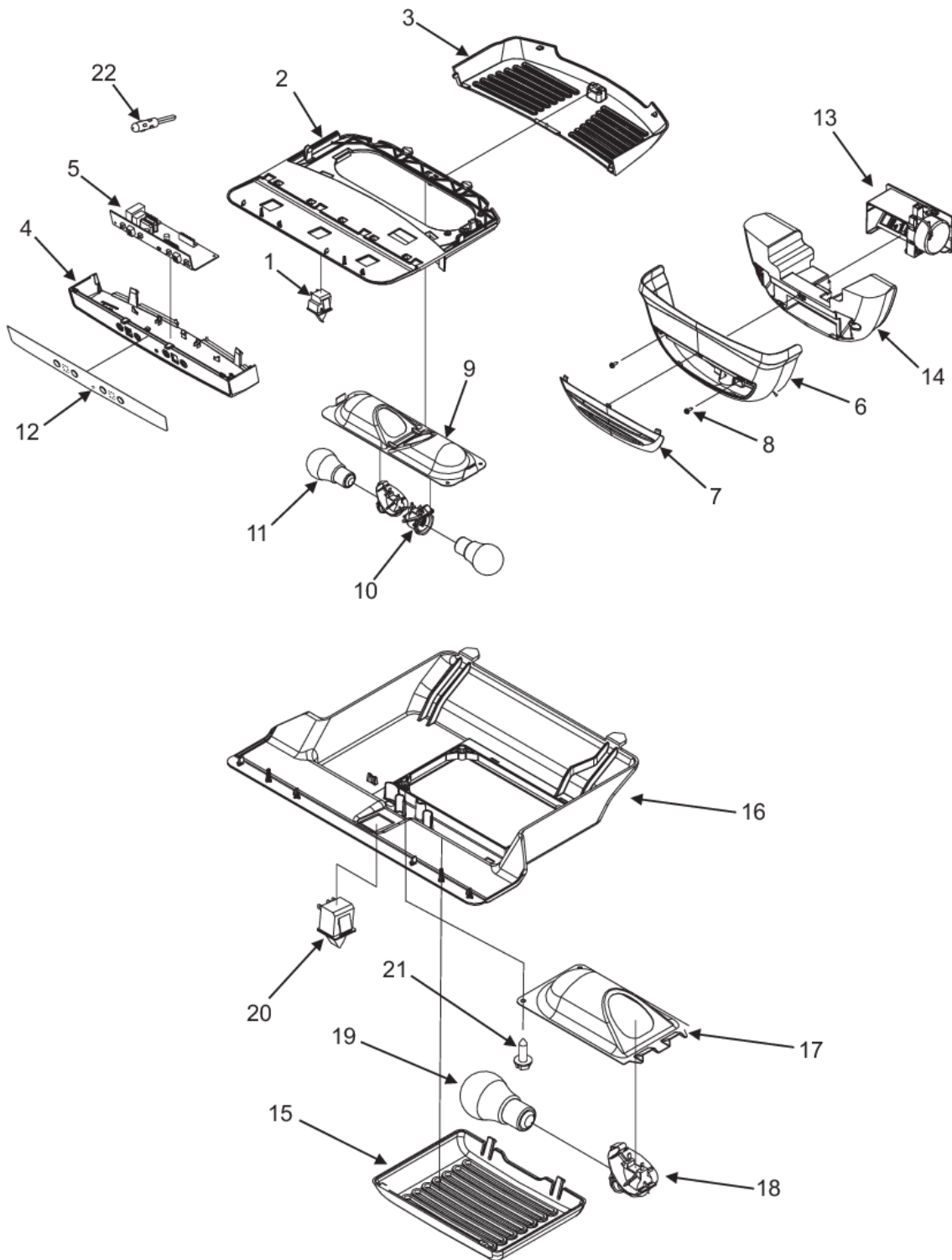


Item	Part No.	Name	Qty	Uom	NOTES
18	PS400169	BRACKET, CONDENSER MOTOR (67004953)	1	EA	NO LONGER AVAILABLE, Not available online / Call for pricing and availability
19	PS400170	SCREW, BRACKT (67004954)	1	EA	NO LONGER AVAILABLE, Not available online / Call for pricing and availability
NI	PS400171	HARNESS, MC (67005435)	1	EA	

CONTROLS



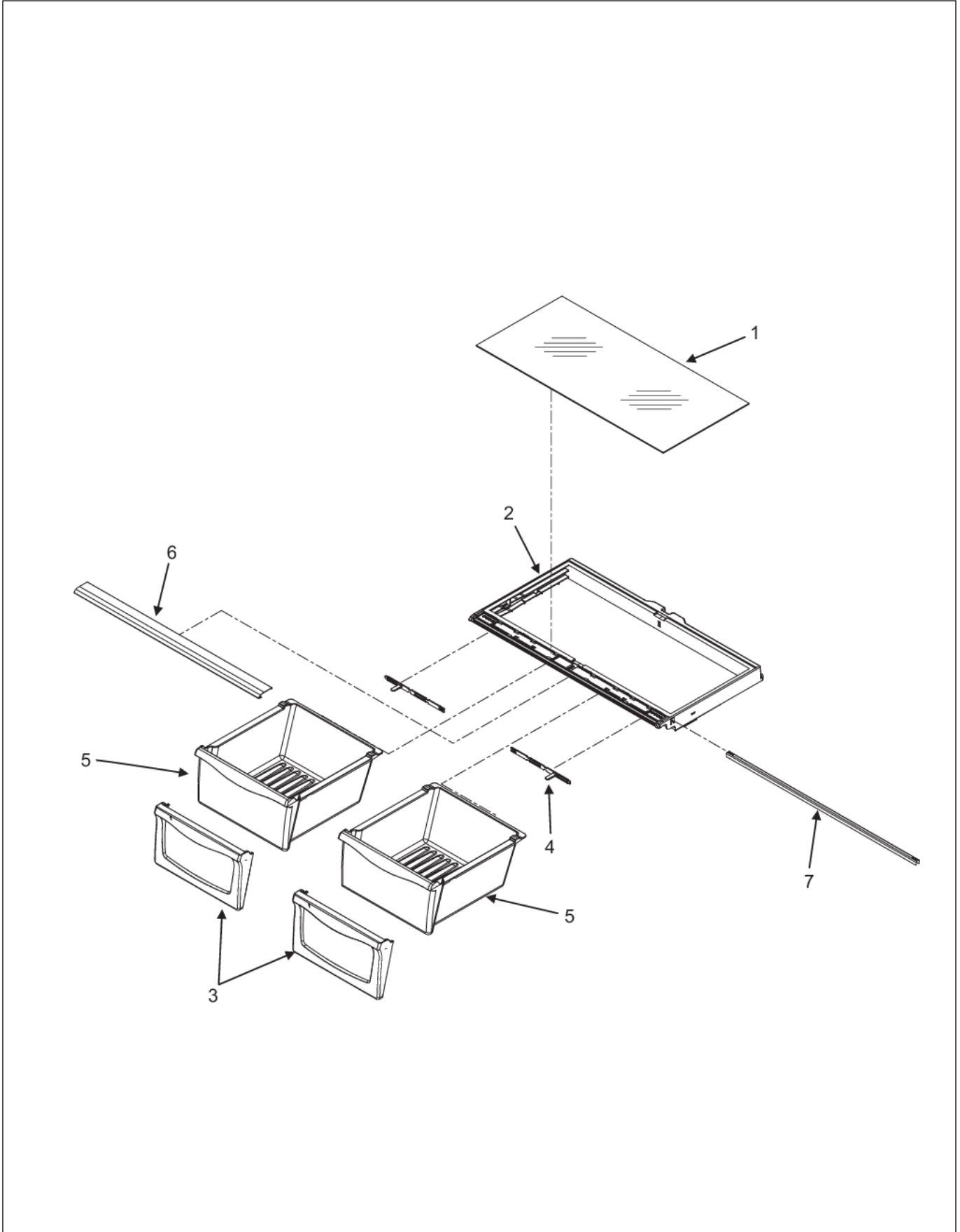
Item	Part No.	Name	Qty	Uom	NOTES
1	PS400044	LIGHT SWITCH (C3680310)	1	EA	
2	PS400045	LIGHT MODULE (67003896)	1	EA	NO LONGER AVAILABLE
3	PS400046	COVER, REFRIGERATOR LIGHT (67003897)	1	EA	NO LONGER AVAILABLE
4	PS400047	MODULE, REFRIGERATOR CONTROL (67005444)	1	EA	
5	021881-000	CONTROL BOARD	1	EA	
6	021694-000	COVER, DAMPER	1	EA	
7	021695-000	INSERT, DAMPER COVER	1	EA	
8	PS400051	SCREW, DAMPER BASE (67006602)	1	EA	NO LONGER AVAILABLE, Not available online / Call for pricing and availability
9	PS400052	LIGHT HOUSING (67003901)	1	EA	NO LONGER AVAILABLE, Not available online / Call for pricing and availability
10	PS400053	LIGHT SOCKET (12570701)	1	EA	
11	PS400054	LIGHT BULB (A0282812)	1	EA	
12	PS400055	KEYBOARD CONTROL	1	EA	
13	PS400056	CONTROL, DAMPER	1	EA	
14	PS400057	INSULATION, DAMPER CONTROL (67006604)	1	EA	NO LONGER AVAILABLE
15	PS400058	COVER, FREEZER LIGHT (67003905)	1	EA	NO LONGER AVAILABLE
16	PS400059	MODULE, FREEZER CONTROL (67003906)	1	EA	NO LONGER AVAILABLE
17	021759-000	HOUSING, LIGHT	1	EA	
18	PS400053	LIGHT SOCKET (12570701)	1	EA	
19	PS400054	LIGHT BULB (A0282812)	1	EA	
20	PS400061	LIGHT SWITCH / INTERLOCK (12002646)	1	EA	
21	PS400062	SCREW, HOUSING (67006530)	1	EA	NO LONGER AVAILABLE, Not available online / Call for pricing and availability
22	PS400063	THERMISTOR	1	EA	





Item	Part No.	Name	Qty	Uom	NOTES
NI	PS400064	HARNESS, FF CONTROL (67005644)	1	EA	NO LONGER AVAILABLE, Not available online / Call for pricing and availability
NI	PS400065	HARNESS, FZ CONTROL (67006094)	1	EA	NO LONGER AVAILABLE, Not available online / Call for pricing and availability

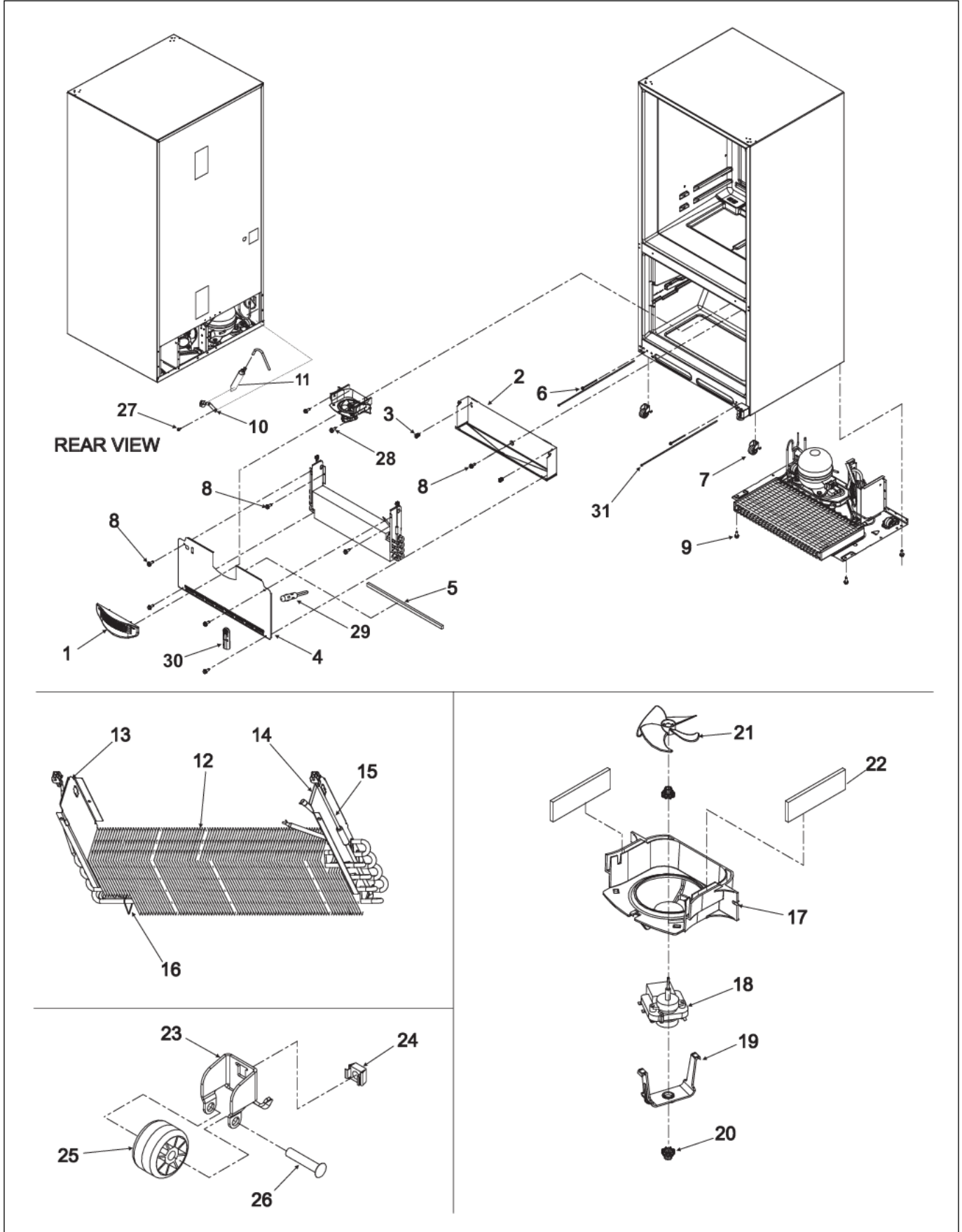
CRISPER ASSEMBLY



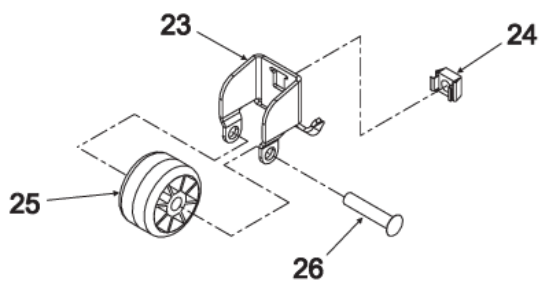
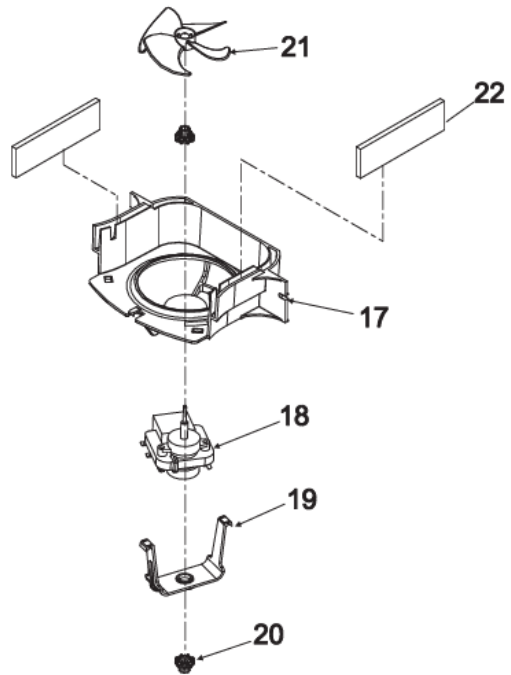
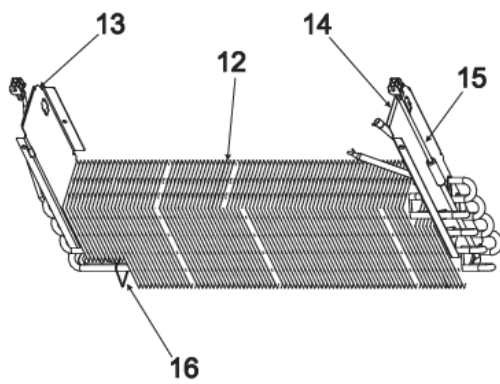
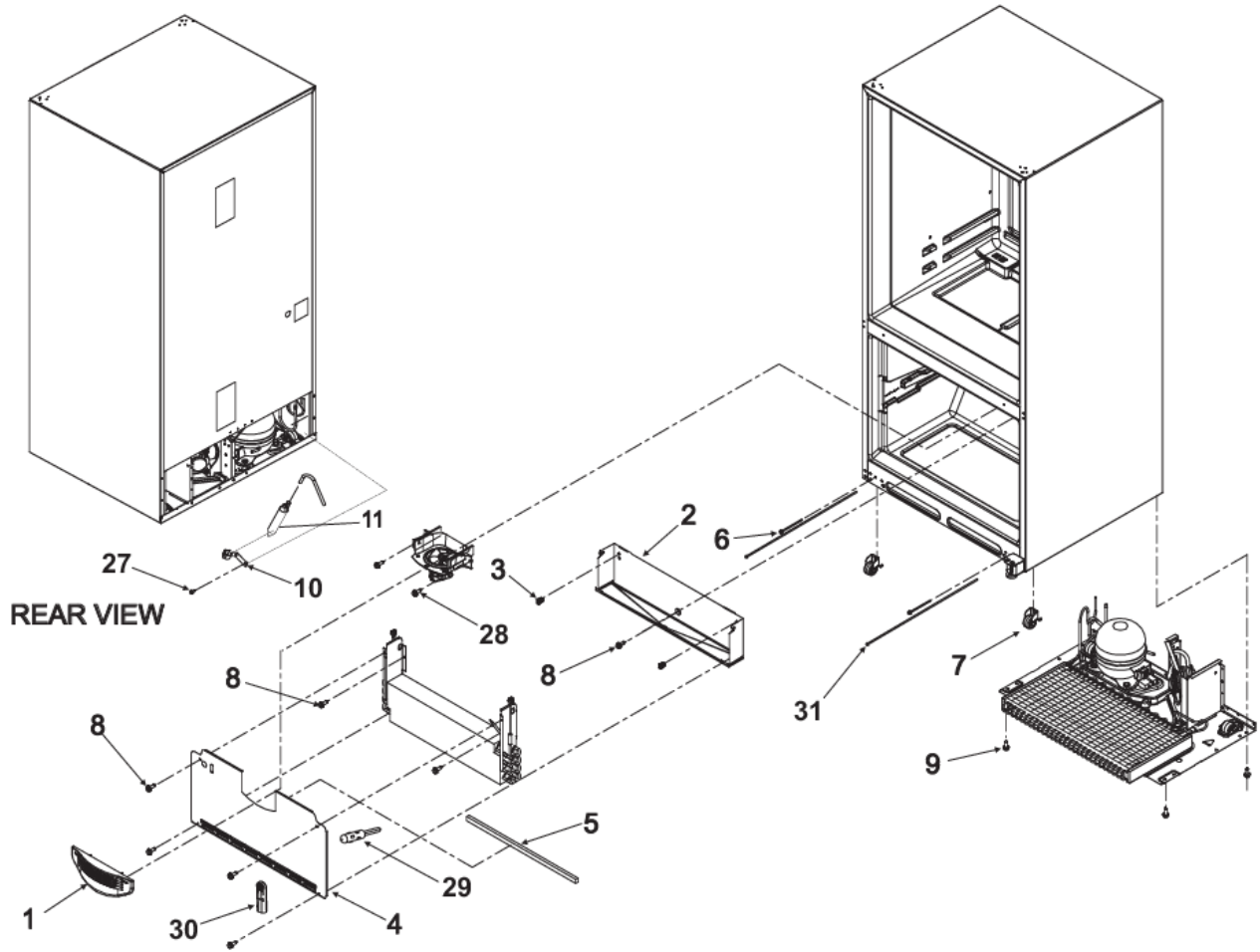


Item	Part No.	Name	Qty	Uom	NOTES
1	PS400067	GLASS, CRISPER (67006655)	1	EA	
2	PS400068	FRAME, CRISPER (67006185)	1	EA	
3	PS400069	FRONT, CRISPER PAN (67005926) - SUBS TO 021778-000	1	EA	
4	PS400070	SLIDE, HUMIDITY CONTROL (Y67001287)	1	EA	
5	PS400071	CRISPER PAN (67002659)	1	EA	
6	PS400072	EXTRUSION, CRISPER FRONT (W10231489) - SUB TO 021832-000	1	EA	
7	PS400073	BRACE, CRISPER	1	EA	

EVAPORATOR AREA AND ROLLERS

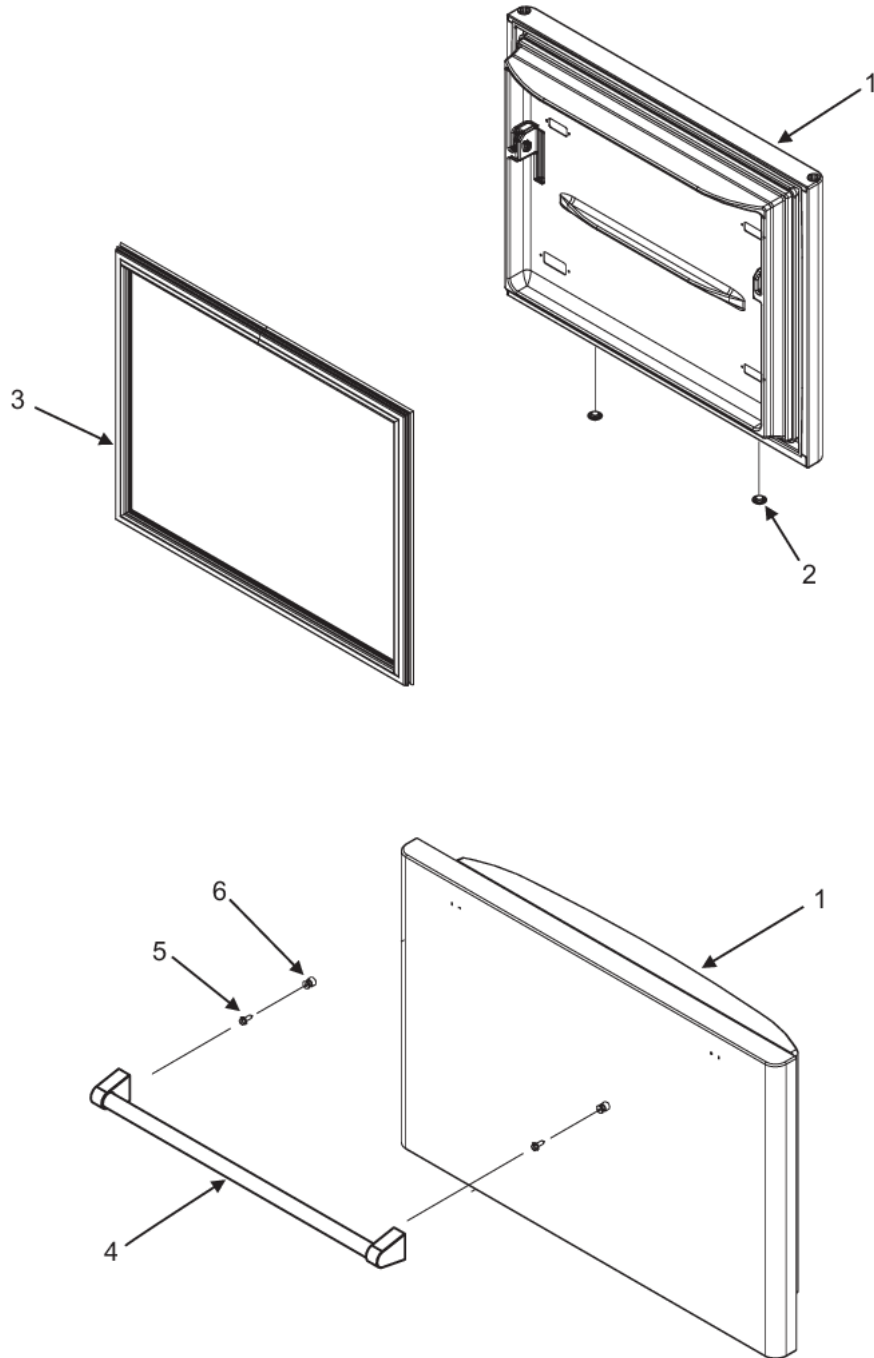


Item	Part No.	Name	Qty	Uom	NOTES
1	PS400122	AIR GRILLE - FREEZER (67006609)	1	EA	
2	PS400123	DRIP TRAY, E-CT (67002490)	1	EA	
3	PS400124	CLIP, EVAPORATOR	1	EA	Not available online / Call for pricing and availability
4	PS400125	COVER, EVAPORATOR (67005873)	1	EA	NO LONGER AVAILABLE, Not available online / Call for pricing and availability
5	021788-000	GASKET, FOAM	1	EA	
6	PS400361	BOLT, ADJUSTABLE ROLLER (67006611)	1	EA	
7	PS400128	ROLLER BRACKET ASSEMBLY (12580304)	1	EA	
8	PS400129	SCREW, SMALL (67006425)	1	EA	
9	PS400130	SCREW (67006573)	1	EA	NO LONGER AVAILABLE
10	PS400131	CLIP, DRIER (10547002)	1	EA	NO LONGER AVAILABLE, Not available online / Call for pricing and availability
11	PS400132	DRIER (B2150504)	1	EA	
12	PS400133	EVAPORATOR KIT (INC. EVAP, HT. SHLD, & INST.) (12002041)	1	EA	
Not Shown	NOTE	(INC. EVAPORATOR, HEAT SHIELD, & INSTRUCTION SHEET		EA	
13	PS400134	DAM, LEFT RETURN (67001083)	1	EA	NO LONGER AVAILABLE, Not available online / Call for pricing and availability
14	PS400135	DAM, RIGHT RETURN (67001084)	1	EA	NO LONGER AVAILABLE, Not available online / Call for pricing and availability
15	PS400136	HEATER, EVAPORATOR (67002493)	1	EA	
16	PS400137	CLIP, HEATER - SUBS TO 10428101	1	EA	
17	PS400138	SHROUD, EVAPORATOR FAN (67002777)	1	EA	



Item	Part No.	Name	Qty	Uom	NOTES
18	PS400139	MOTOR, EVAPORATOR FAN (67003636)	1	EA	
19	PS400140	CLIP, EVAPORATOR MOTOR (67005633)	1	EA	
20	PS400141	GROMMET, FAN MOTOR (67002780)	1	EA	
21	PS400142	FAN, EVAPORATOR	1	EA	
22	PS400143	FOAM GASKET (67001291)	1	EA	NO LONGER AVAILABLE, Not available online / Call for pricing and availability
23	PS400144	ROLLER BRACKET (12456801)	1	EA	
24	PS400145	SPEED NUT (M0286708)	1	EA	
25	PS400146	ROLLER (67005127)	1	EA	
26	PS400147	RIVET (M1205302)	1	EA	
27	PS400148	SCREW, CLIP (67006737)	1	EA	NO LONGER AVAILABLE, Not available online / Call for pricing and availability
28	PS400013	SCREW, DOOR STOP (67006287)	1	EA	NO LONGER AVAILABLE
29	PS400063	THERMISTOR	1	EA	
30	PS400149	COVER, FREEZER THERMISTOR (67003924)	1	EA	NO LONGER AVAILABLE, Not available online / Call for pricing and availability
31	PS400150	SCREW, ADJUSTING ROD (67006697)	1	EA	
NI	PS400151	DEFROST THERMOSTAT (67003426)	1	EA	
NI	PS400152	HARNESS, EVAPORATOR HEATER (67005574)	1	EA	

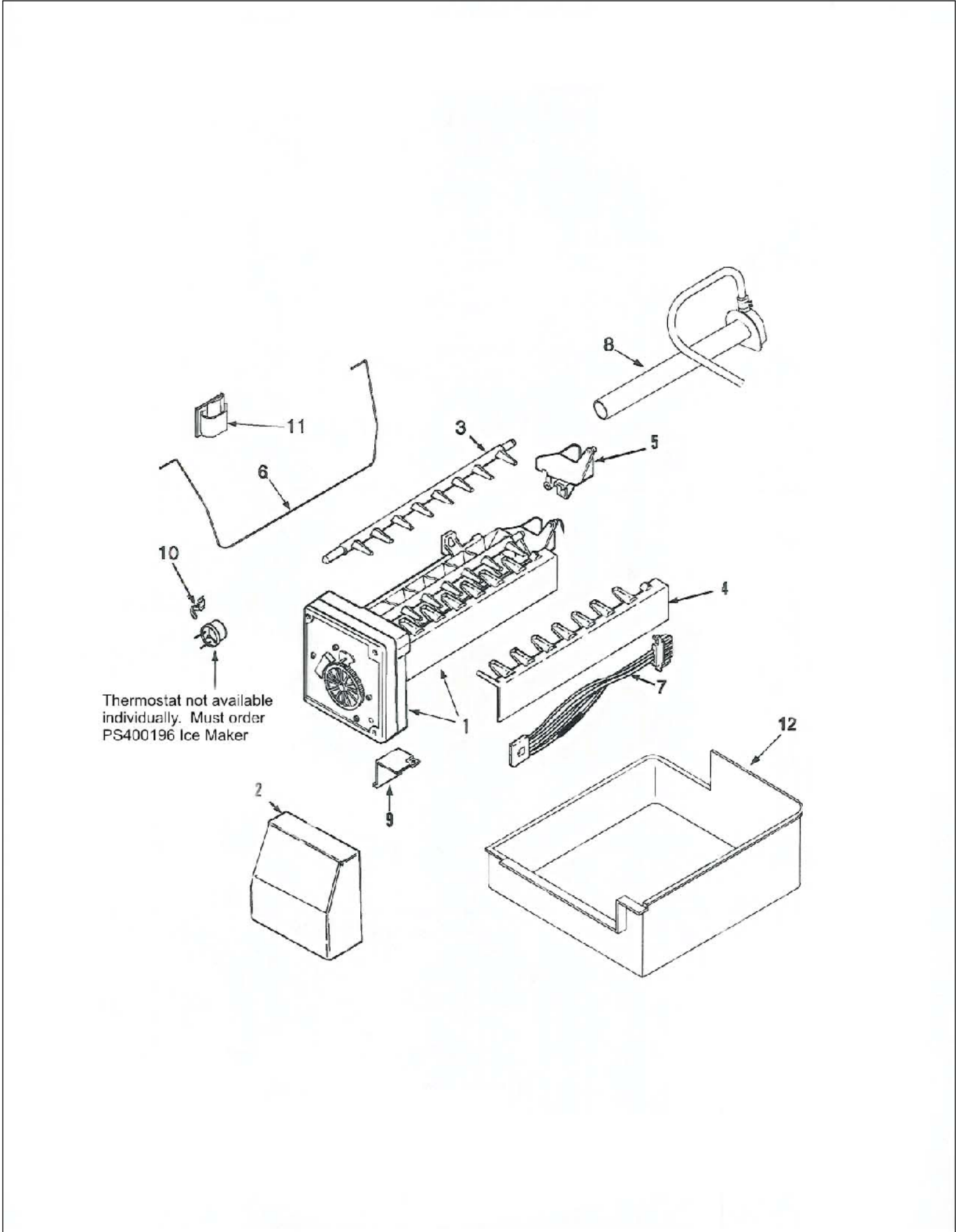
FREEZER DOOR



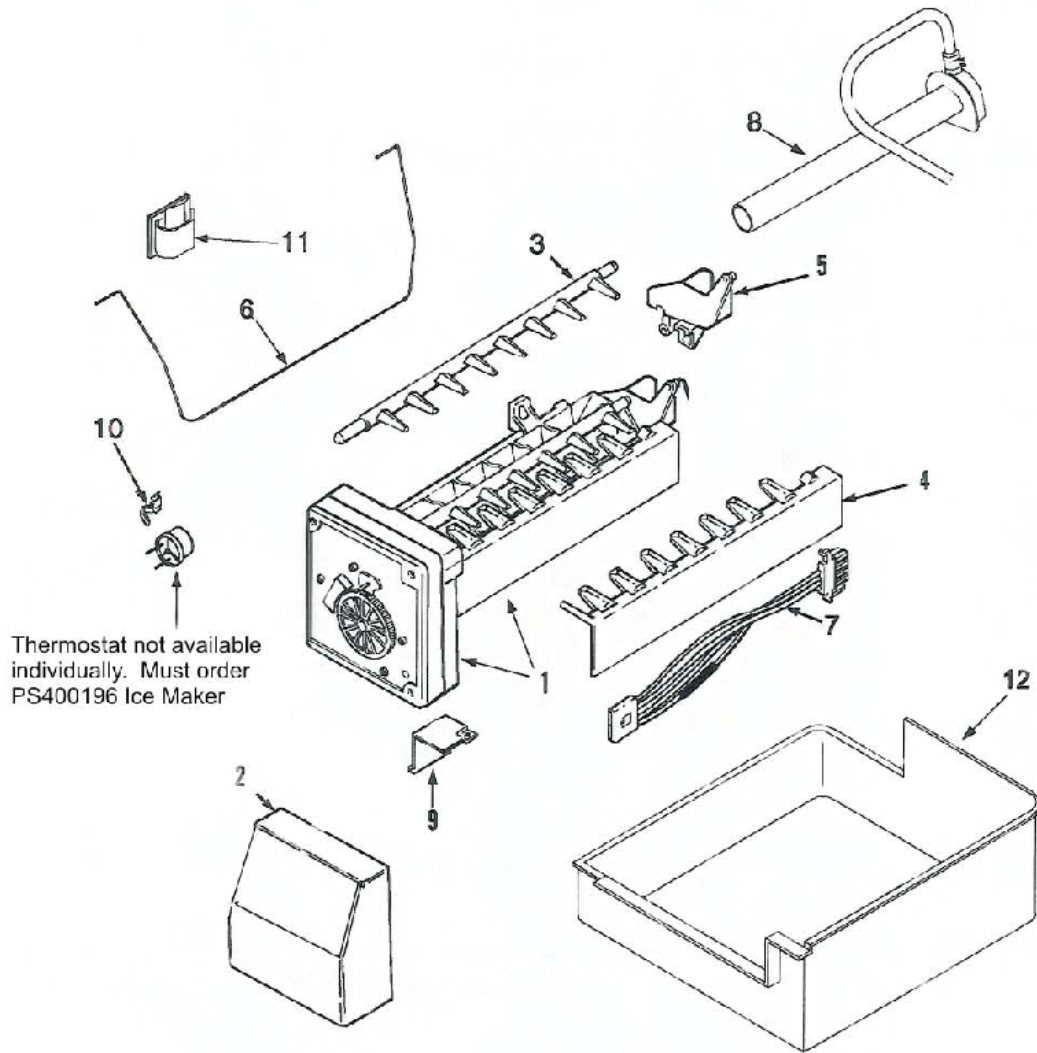


Item	Part No.	Name	Qty	Uom	NOTES
1	PS400214	FREEZER DOOR ASSEMBLY	1	EA	
2	PS400016	PLUG, VENT (67004838)	1	EA	NO LONGER AVAILABLE
3	PS400028	GASKET, FREEZER DOOR (67003559)	1	EA	
4	016704-000	HANDLE ASM KIT	1	EA	
5	PS400212	SCREW, HANDLE 340184	1	EA	
6	PS400213	MOUNT, HANDLE 67006109	1	EA	

ICE MAKER



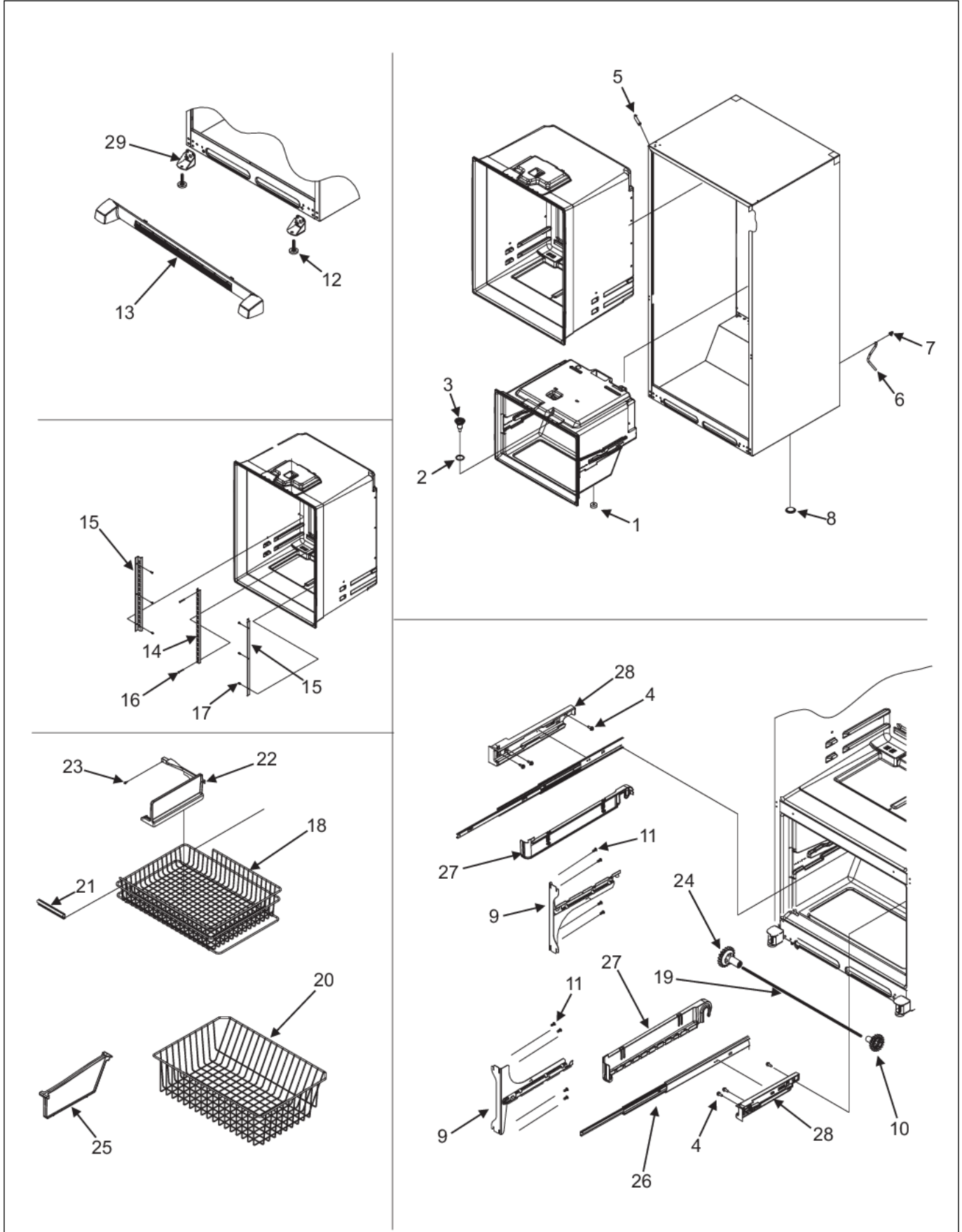
Item	Part No.	Name	Qty	Uom	NOTES
1	PR160032	ICEMAKER ASSY COMP 4317943	1	EA	
Not Shown	NOTE	MOLD & HEATER ASSY, ICE EJECTOR, ICE STRIPPER,		EA	
Not Shown	NOTE	WATER INLET, AND THERMOSTAT)		EA	
NI	PS400197	BRACKET, ICE MAKER (67002823)	1	EA	NO LONGER AVAILABLE, Not available online / Call for pricing and availability
NI	PS400013	SCREW, DOOR STOP (67006287)	1	EA	NO LONGER AVAILABLE
2	PS400198	COVER, ICE MAKER (67004710)	1	EA	NO LONGER AVAILABLE, Not available online / Call for pricing and availability
3	PS400199	ICE EJECTOR	1	EA	NO LONGER AVAILABLE, Not available online / Call for pricing and availability
4	PS400200	ICE STRIPPER	1	EA	NO LONGER AVAILABLE
5	PS400201	WATER INLET (95100-1)	1	EA	
6	PS400202	IM SHUTOFF ARM (67004028)	1	EA	
7	PS400203	HARNESS, ICE MAKER (W10146389)	1	EA	
8	PS400185	ELBOW, FILL TUBE	1	EA	
9	PS400204	BRACKET, MODULE AND HEATER (95107-1)	1	EA	NO LONGER AVAILABLE, Not available online / Call for pricing and availability
NI	PS400205	SCREW, BRACKET (95108-1)	1	EA	NO LONGER AVAILABLE, Not available online / Call for pricing and availability
10	PS400206	RETAINER, THERMOSTAST (95104-1)	1	EA	NO LONGER AVAILABLE, Not available online / Call for pricing and availability
11	PS400180	CLIP	1	EA	
12	PS400207	ICE PAN (67001255)	1	EA	



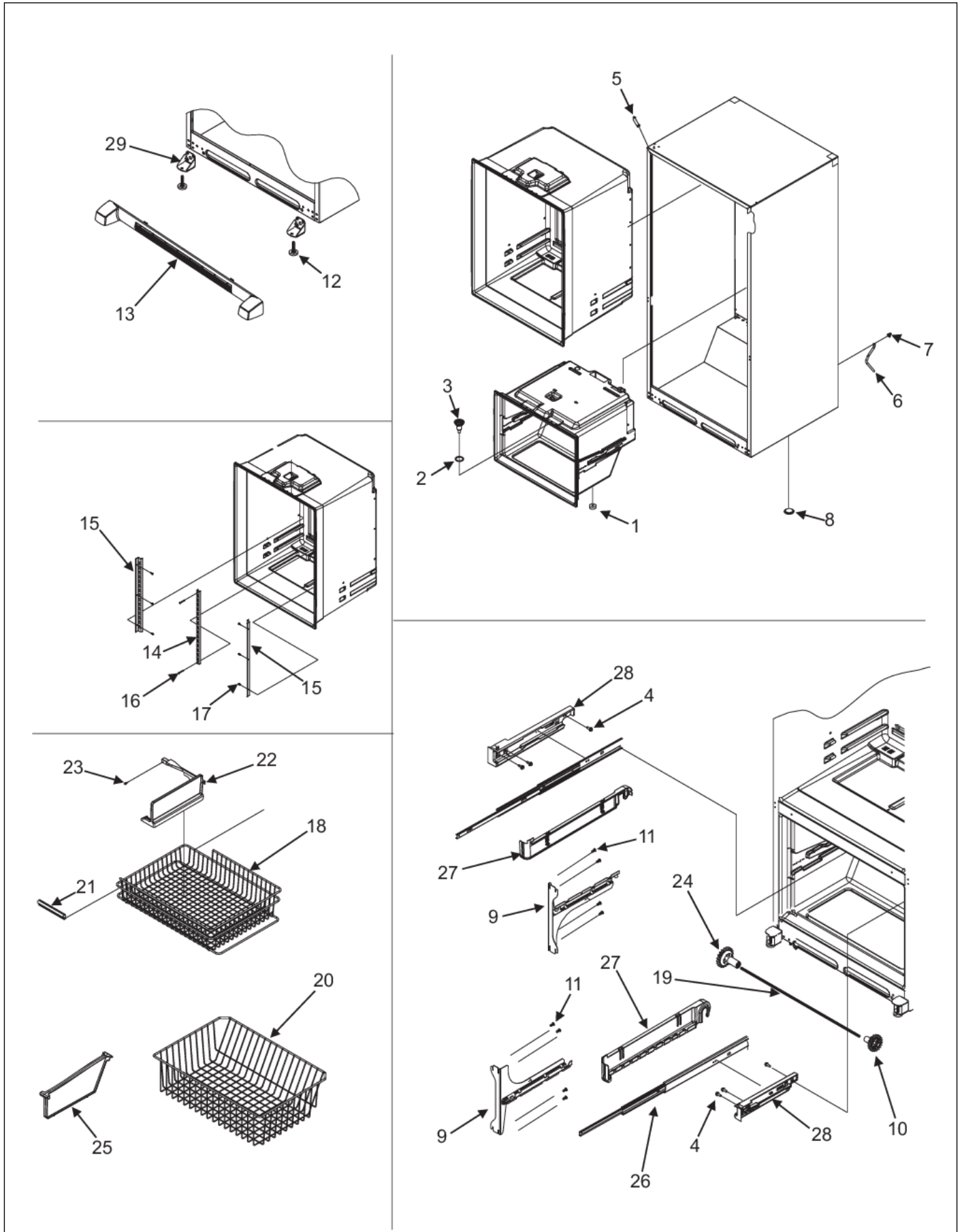


Item	Part No.	Name	Qty	Uom	NOTES
NI	PS400208	COUPLING (10244904)	1	EA	NO LONGER AVAILABLE, Not available online / Call for pricing and availability
NI	PS400209	ICE MAKER HOOK UP KIT (R0131235)	1	EA	
Not Shown	NOTE	(INC. 1/4" X 25' COPPER TUBING, SADDLE VALVE,		EA	
Not Shown	NOTE	AND 1/4" COMPRESSION NUT AND SLEEVE)		EA	

INTERIOR CABINET



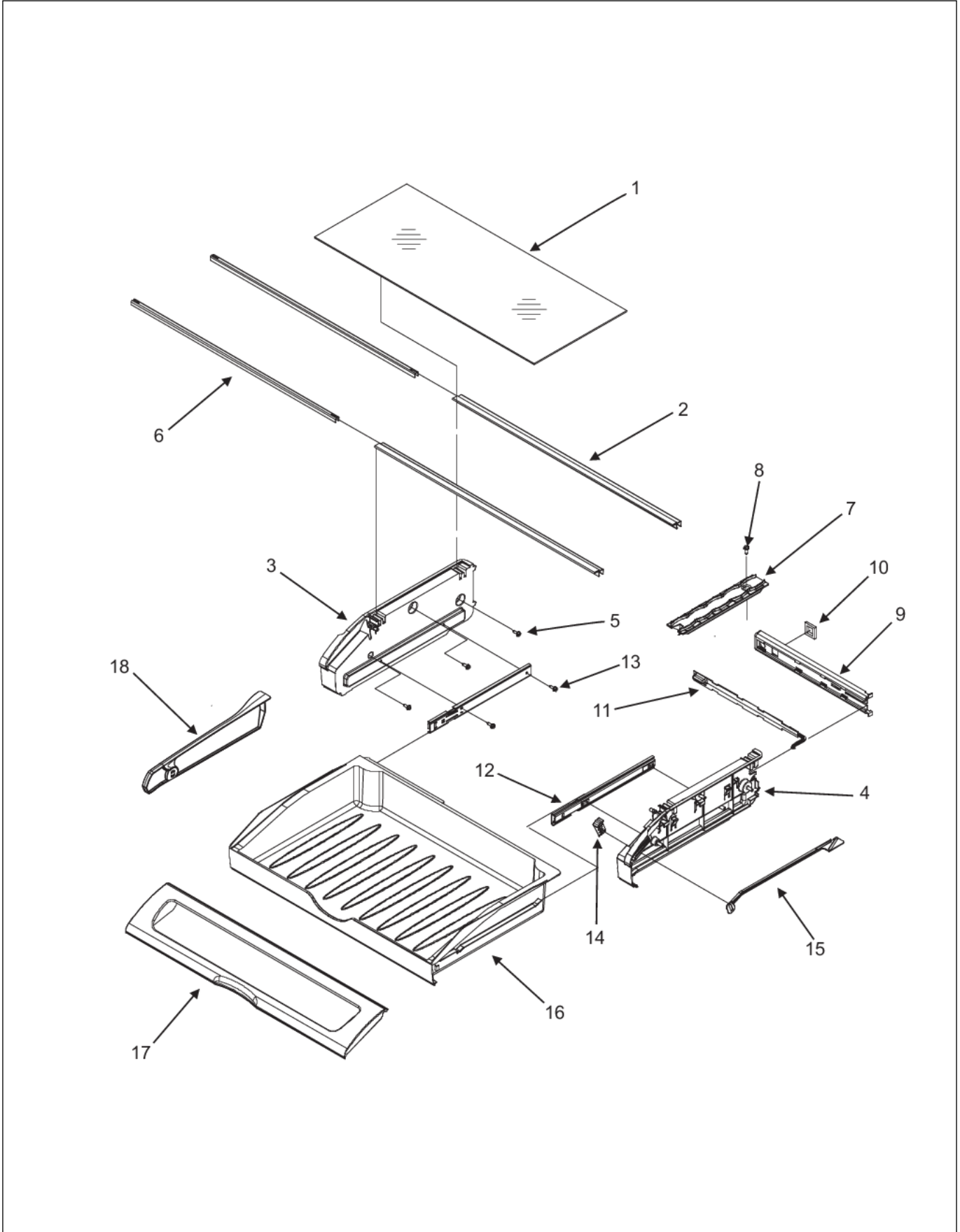
Item	Part No.	Name	Qty	Uom	NOTES
1	PS400090	GASKET, DRAIN TUBE	1	EA	
2	PS400091	SEAL, O-RING	1	EA	
3	PS400092	FUNNEL, DRAIN	1	EA	
4	PS400093	SCREW, ADAPTER (67006406)	1	EA	
5	PS400094	CORNER COVER (67003485)	1	EA	Not available online / Call for pricing and availability
6	PS400095	DRAIN TUBE (67001066)	1	EA	NO LONGER AVAILABLE
7	PS400096	CLIP, DRAIN TUBE (67001067)	1	EA	NO LONGER AVAILABLE
8	PS400097	PLUG, BUTTON	1	EA	
9	PS400098	BRACKET, DRAWER SLIDE - LH (12812503WD)	1	EA	
Not Shown	PS400099	BRACKET, DRAWER SLIDE - RH (67004733)	1	EA	
10	PS400100	GEAR (LH / RH) - SUBS TO 011497-000	1	EA	
11	PS400101	SCREW, BRACKET (67006473)	1	EA	
12	PS400102	BRAKE, FOOT (67003868)	1	EA	
13	PS400103	GRILLE, TOE, BLACK	1	EA	
14	PS400104	RAIL, SHELF SUPPORT - CENTER (67001073)	1	EA	NO LONGER AVAILABLE
15	PS400105	RAIL, SHELF SUPPORT - RH / LH (67002489)	1	EA	
16	PS400106	SCREW, CENTER RAIL (67006360)	1	EA	NO LONGER AVAILABLE, Not available online / Call for pricing and availability
17	PS400129	SCREW, SMALL (67006425)	1	EA	
18	PS400107	UPPER FREEZER BASKET (67004988)	1	EA	
19	021917-000	SHAFT, RACK	1	EA	
20	PS400109	LOWER FREEZER BASKET (67006026)	1	EA	
21	PS400110	HANDLE, BASKET (10508506)	1	EA	
22	PS400111	DIVIDER, UPPER BASKET (67004127)	1	EA	





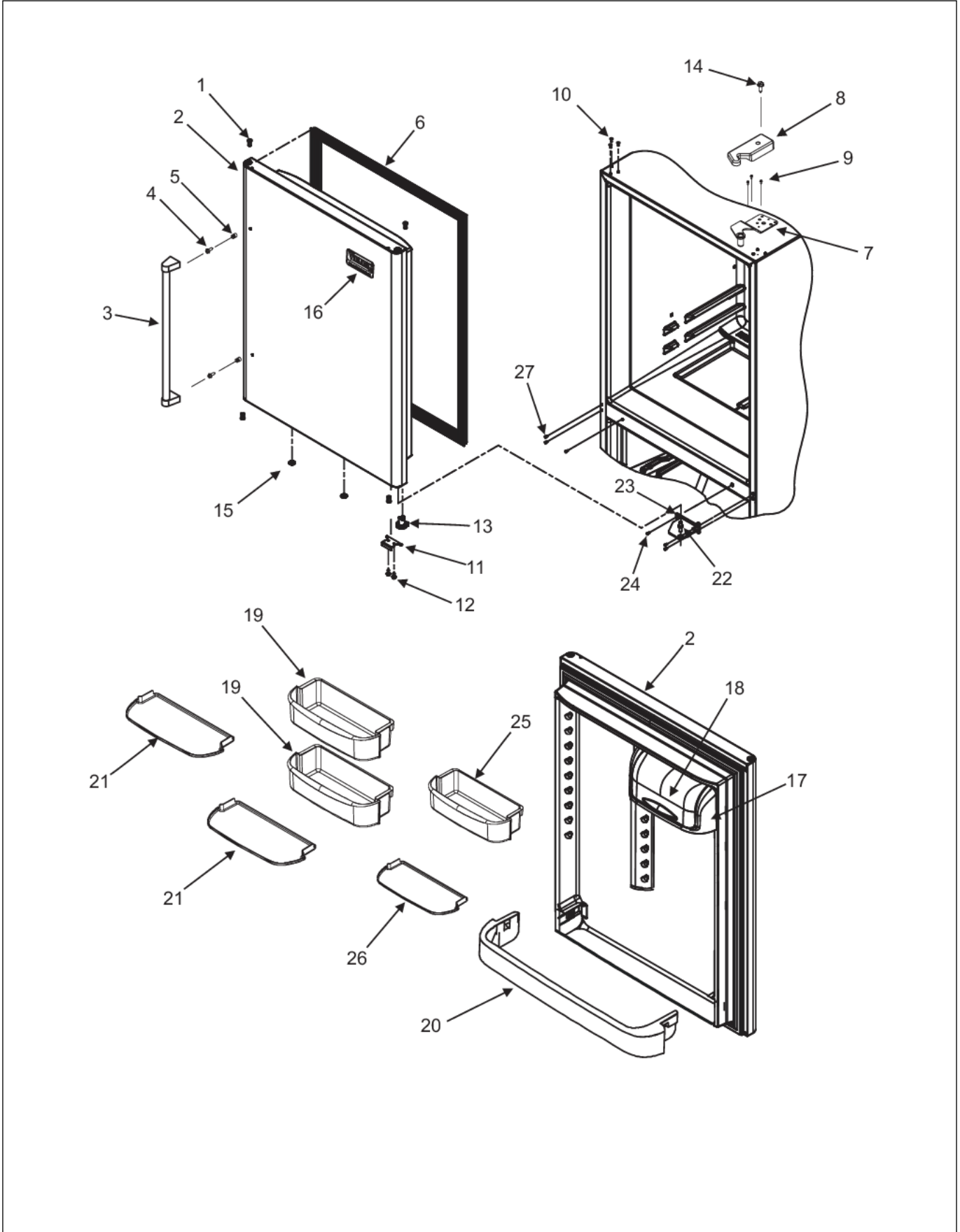
Item	Part No.	Name	Qty	Uom	NOTES
23	PS400112	SCREW, UPPER DIVIDER (67006608)	1	EA	NO LONGER AVAILABLE, Not available online / Call for pricing and availability
24	PS400100	GEAR (LH / RH) - SUBS TO 011497-000	1	EA	
25	PS400114	DIVIDER, LOWER BASKET (67004812)	1	EA	
26	PS400115	DRAWER SLIDE (12002684)	1	EA	
27	PS400116	BASKET CRADLE - LEFT TRACK (67004728)	1	EA	
Not Shown	PS400117	BASKET CRADLE - RIGHT TRACK (67004729)	1	EA	
28	PS400118	ADAPTER - LEFT TRACK (67004971)	1	EA	
Not Shown	PS400119	ADAPTER RIGHT TRACK (67004972)	1	EA	
29	PS400120	BRACKET, FOOT CABINET (67007174)	1	EA	
NI	PS400121	SCREW, BRACKET (67006491)	1	EA	NO LONGER AVAILABLE, Not available online / Call for pricing and availability

PANTRY ASSEMBLY

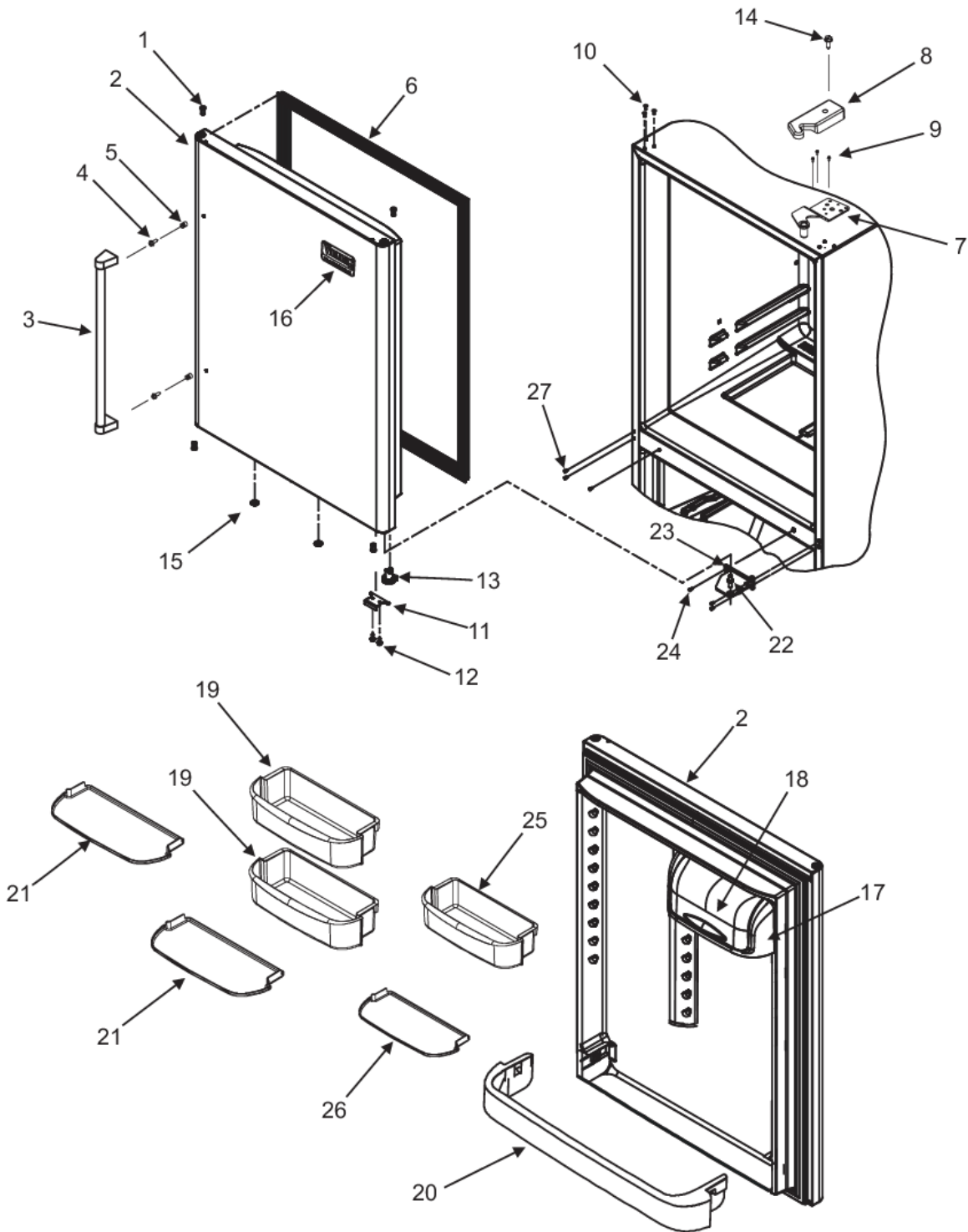


Item	Part No.	Name	Qty	Uom	NOTES
1	PS400074	GLASS, PANTRY (67002332)	1	EA	
2	PS400075	EXTRUSION, GLASS SUPPORT (67006010)	1	EA	
3	PS400076	END CAP, LH PANTRY	1	EA	
4	PS400077	END CAP, RH PANTRY	1	EA	
5	PS400078	SCREW, END CAP (67006415)	1	EA	
6	PS400079	BRACE, PANTRY (67002330)	1	EA	NO LONGER AVAILABLE
7	PS400080	TRACK, DELI DRAWER (67001719)	1	EA	NO LONGER AVAILABLE
8	PS400129	SCREW, SMALL (67006425)	1	EA	
9	PS400081	CONTROL HOUSING (67005625) - SUBS TO 021677-000	1	EA	
10	021678-000	GASKET, PANTRY	1	EA	
11	PS400083	TEMP CONTROL SLIDE (67003793)	1	EA	
12	PS400084	GLIDE, PANTRY DRAWER (67007026)	1	EA	
13	PS400013	SCREW, DOOR STOP (67006287)	1	EA	NO LONGER AVAILABLE
14	PS400085	KNOB, TEMP CONTROL (67003791)	1	EA	Not available online / Call for pricing and availability
15	021675-000	ROD, TEMP CONTROL	1	EA	
16	PS400087	DRAWER, PANTRY (67003530)	1	EA	
17	PS400088	LID, PANTRY (67006736)	1	EA	
18	PS400089	DIVIDER, PANTRY (67002321)	1	EA	

REFRIGERATOR DOOR



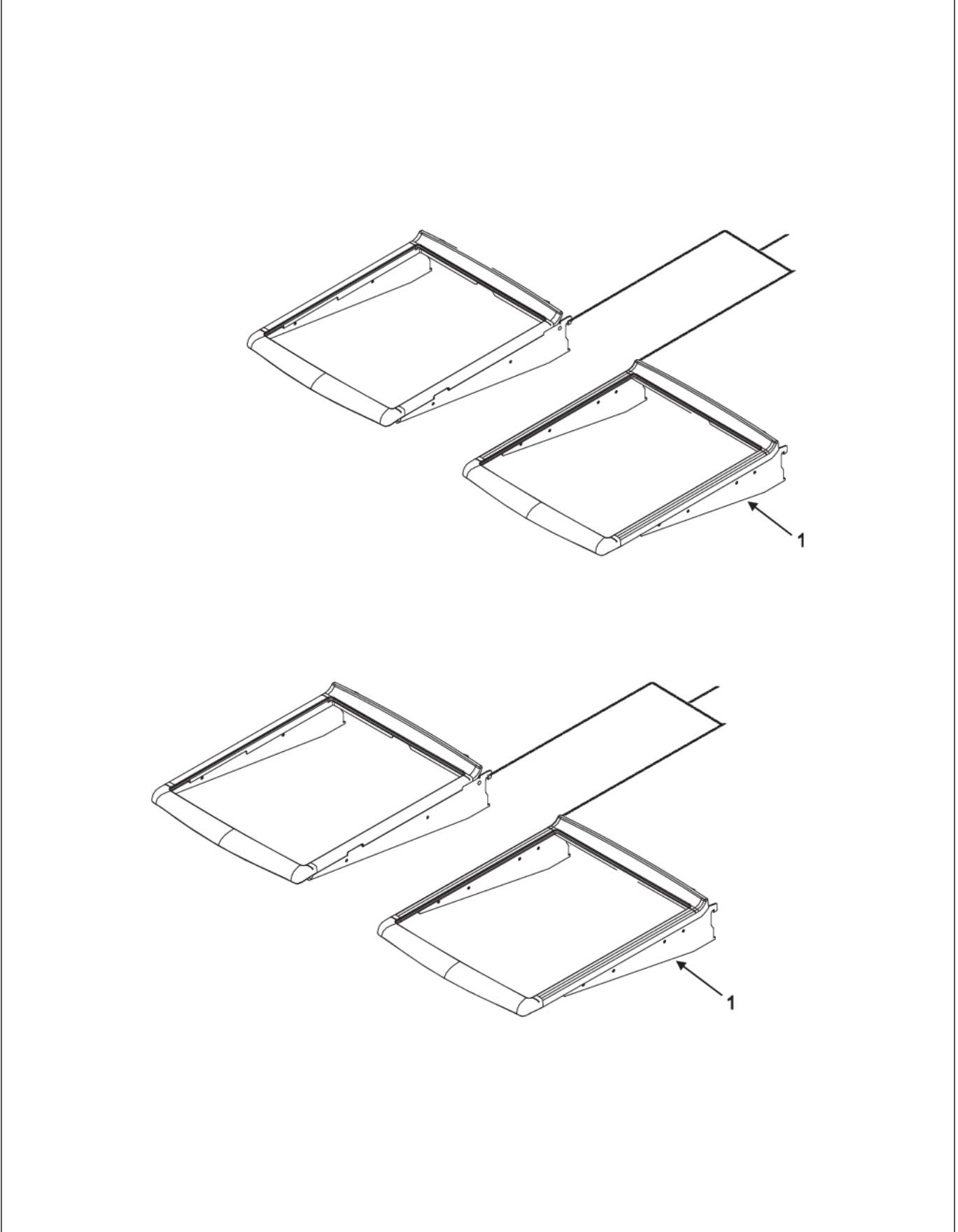
Item	Part No.	Name	Qty	Uom	NOTES
1	021751-000	BUSHING, DOOR, BLACK (UPPER RIGHT)	1	EA	
2	PS400210	REF. DOOR ASSEMBLY - LEFT HING (SS) 12658559SQ	1	EA	NO LONGER AVAILABLE
Not Shown	PS400211	REF. DOOR ASSEMBLY - RIGHT HINGE (SS) (12658560SQ	1	EA	Not available online / Call for pricing and availability
3	016704-000	HANDLE ASM KIT	1	EA	
4	PS400212	SCREW, HANDLE 340184	1	EA	
5	PS400213	MOUNT, HANDLE 67006109	1	EA	
6	PS400005	GASKET, REFRIGERATOR DOOR (67003557)	1	EA	NO LONGER AVAILABLE
7	PS400006	HINGE, TOP RIGHT	1	EA	
Not Shown	PS400007	TOP HINGE - LEFT HINGE (67005827)	1	EA	NO LONGER AVAILABLE, Not available online / Call for pricing and availability
8	PS400008	COVER, RIGHT HINGE, BLACK	1	EA	
Not Shown	PS400009	COVER, TOP HINGE - LEFT HINGE (67006726)	1	EA	
9	PS400010	GEAR (LH & RH)	1	EA	
10	PS400011	PLUG, BUTTON (BLACK)	1	EA	NO LONGER AVAILABLE
11	PS400012	180 DEGREE DOOR STOP BK (67003780)	1	EA	
12	PS400013	SCREW, DOOR STOP (67006287)	1	EA	NO LONGER AVAILABLE
13	PS400014	DOOR CLOSURE (67003639)	1	EA	
14	PS400015	SCREW, TOP HINGE COVER (67006521)	1	EA	
15	PS400016	PLUG, VENT (67004838)	1	EA	NO LONGER AVAILABLE
16	PS400430	PRO LOGO (67006680)	1	EA	
17	PS400017	DAIRY TRAY (67001279)	1	EA	
18	PS400018	DAIRY DOOR (67006727)	1	EA	
19	PS400019	LARGE DOOR SHELF (INC. GRIPPER) (67006728) - SUBS TO 022160-000	1	EA	
20	PS400020	RETAINER, REFRIGERATOR DOOR (67003027)	1	EA	





Item	Part No.	Name	Qty	Uom	NOTES
21	PS400021	GRIPPER, LARGE (67006729)	1	EA	NO LONGER AVAILABLE
22	PS400022	PIN, CENTER HINGE (67006642)	1	EA	
23	PS400023	CENTER HINGE (67002960)	1	EA	
24	PS400024	SCREW, CENTER HINGE (67006380)	1	EA	NO LONGER AVAILABLE
25	PS400025	BUCKET, MEDIUM (W/GRIPPER) - SUBS TO 021701-000	1	EA	
26	PS400026	GRIPPER, MEDIUM (67006731)	1	EA	NO LONGER AVAILABLE

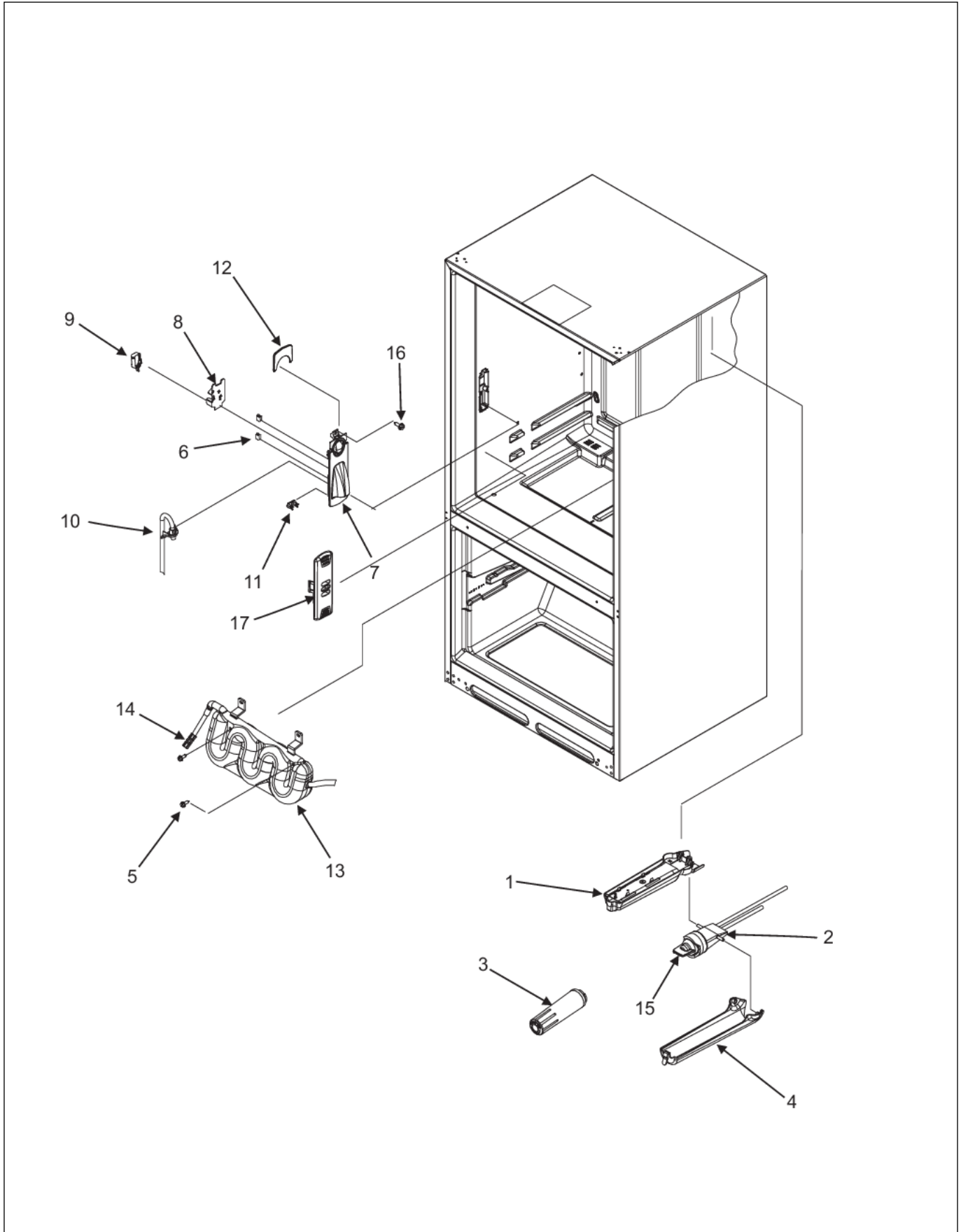
REFRIGERATOR SHELVES





Item	Part No.	Name	Qty	Uom	NOTES
1	PS400066	SHELF, GLIDE OUT (67003169)	1	EA	

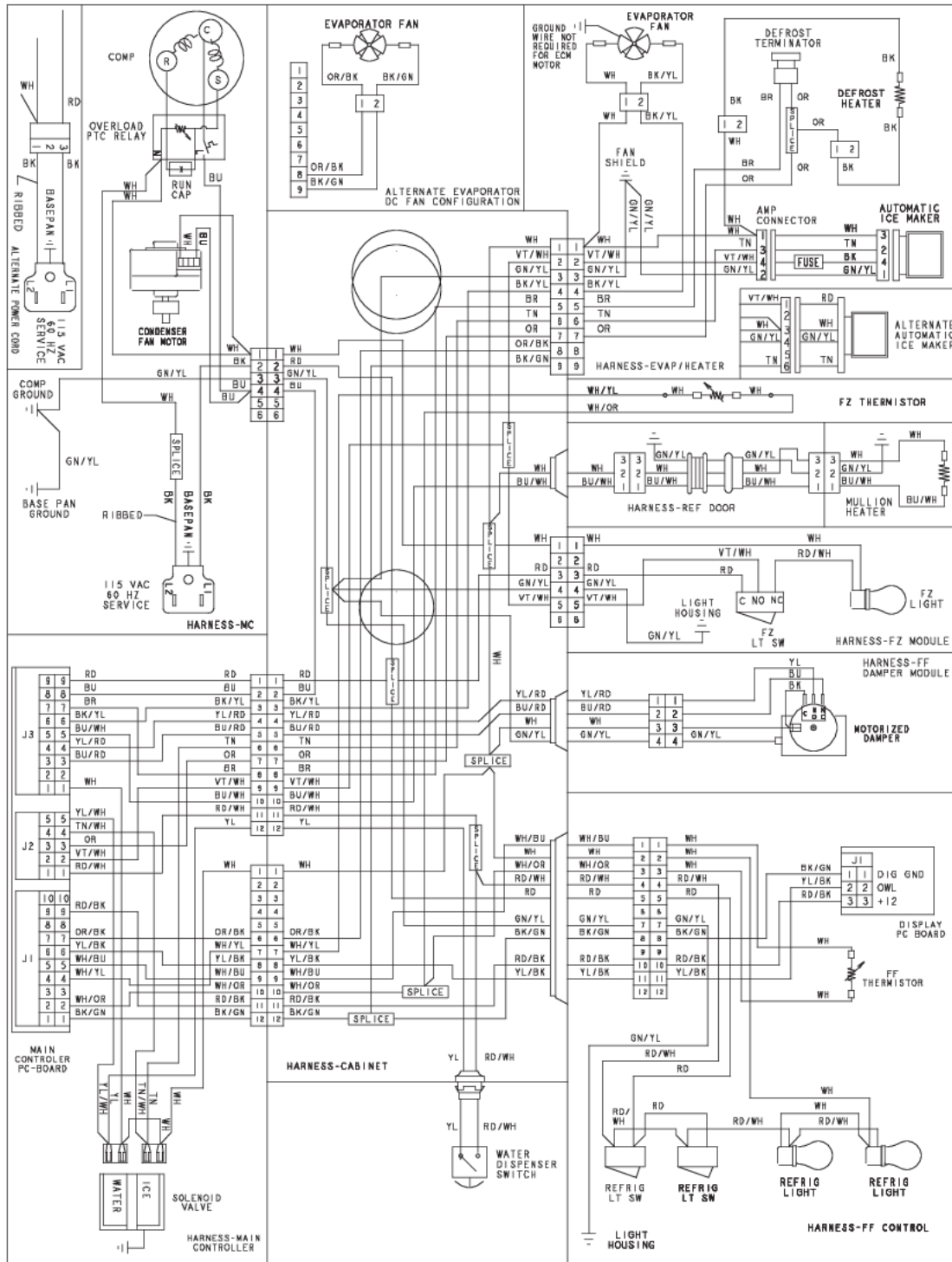
WATER DISPENSER





Item	Part No.	Name	Qty	Uom	NOTES
1	PS400029	FILTER BACKING PLATE (67001668)	1	EA	
2	PS400030	WATER FILTER HEAD (W/TUBING) (67006524)	1	EA	
3	SALES ITEM	WATER FILTER	1	EA	
4	PS400031	COVER, FILTER	1	EA	
5	PS400013	SCREW, DOOR STOP (67006287)	1	EA	NO LONGER AVAILABLE
6	PS400032	FACADE CLIP (B8390302)	1	EA	
7	PS400033	FACADE DISPENSER (W10158503)	1	EA	
8	PS400034	SWITCH PLATE (67002742)	1	EA	
9	PS400035	SWITCH, LIMIT	1	EA	
10	021776-000	GUIDE, WATERLINE	1	EA	
11	PS400037	WATER LINE CLIP (67002816)	1	EA	
12	PS400038	TOP, FACADE DISPENSER (67006733)	1	EA	
13	PS400039	WATER TANK (W10153959)	1	EA	
14	PS400040	UNION (5/16 X 5/16)	1	EA	
15	PS400041	BYPASS PLUG (12664501)	1	EA	
16	PS400129	SCREW, SMALL (67006425)	1	EA	
17	PS400043	COVER, CHILLER VENT (67006111)	1	EA	NO LONGER AVAILABLE, Not available online / Call for pricing and availability

WIRING DIAGRAM





Appendix A:Pages Index

CABINET BACK 1
COMPRESSOR 2
CONTROLS 3
CRISPER ASSEMBLY 4
EVAPORATOR AREA AND ROLLERS 5
FREEZER DOOR 6
ICE MAKER 7
INTERIOR CABINET 8
PANTRY ASSEMBLY 9
REFRIGERATOR DOOR 10
REFRIGERATOR SHELVES 11
WATER DISPENSER 12
WIRING DIAGRAM 13



Appendix B:Parts Index

016704-000	6, 10	PS400033	12
021675-000	9	PS400034	12
021678-000	9	PS400035	12
021694-000	3	PS400037	12
021695-000	3	PS400038	12
021751-000	10	PS400039	12
021759-000	3	PS400040	12
021776-000	12	PS400041	12
021788-000	5	PS400043	12
021881-000	3	PS400044	3
021899-000	2	PS400045	3
021917-000	8	PS400046	3
PR160032	7	PS400047	3
PS400005	10	PS400051	3
PS400006	10	PS400052	3
PS400007	10	PS400053	3, 3
PS400008	10	PS400054	3, 3
PS400009	10	PS400055	3
PS400010	10	PS400056	3
PS400011	10	PS400057	3
PS400012	10	PS400058	3
PS400013	1, 5, 7, 9, 10, 12	PS400059	3
PS400014	10	PS400061	3
PS400015	10	PS400062	3
PS400016	6, 10	PS400063	3, 5
PS400017	10	PS400064	3
PS400018	10	PS400065	3
PS400019	10	PS400066	11
PS400020	10	PS400067	4
PS400021	10	PS400068	4
PS400022	10	PS400069	4
PS400023	10	PS400070	4
PS400024	10	PS400071	4
PS400025	10	PS400072	4
PS400026	10	PS400073	4
PS400028	6	PS400074	9
PS400029	12	PS400075	9
PS400030	12	PS400076	9
PS400031	12	PS400077	9
PS400032	12	PS400078	9
		PS400079	9



PS400080	9	PS400125	5
PS400081	9	PS400128	5
PS400083	9	PS400129	1, 2, 5, 8, 9, 12
PS400084	9	PS400130	5
PS400085	9	PS400131	5
PS400087	9	PS400132	5
PS400088	9	PS400133	5
PS400089	9	PS400134	5
PS400090	8	PS400135	5
PS400091	8	PS400136	5
PS400092	8	PS400137	5
PS400093	8	PS400138	5
PS400094	8	PS400139	5
PS400095	8	PS400140	5
PS400096	8	PS400141	5
PS400097	8	PS400142	5
PS400098	8	PS400143	5
PS400099	8	PS400144	5
PS400100	8, 8	PS400145	5
PS400101	8	PS400146	5
PS400102	8	PS400147	5
PS400103	8	PS400148	5
PS400104	8	PS400149	5
PS400105	8	PS400150	5
PS400106	8	PS400151	5
PS400107	8	PS400152	5
PS400109	8	PS400153	2
PS400110	8	PS400154	2
PS400111	8	PS400155	2
PS400112	8	PS400156	2
PS400114	8	PS400158	2
PS400115	8	PS400159	2
PS400116	8	PS400160	2
PS400117	8	PS400161	2
PS400118	8	PS400162	2
PS400119	8	PS400163	2
PS400120	8	PS400164	2
PS400121	8	PS400165	2
PS400122	5	PS400166	2
PS400123	5	PS400167	2
PS400124	5	PS400168	2



PS400169	2	PS400211	10
PS400170	2	PS400212	6, 10
PS400171	2	PS400213	6, 10
PS400172	1	PS400214	6
PS400173	1	PS400361	5
PS400174	1	PS400430	10
PS400175	1		
PS400176	1		
PS400177	1		
PS400178	1		
PS400179	1		
PS400180	1, 7		
PS400181	1		
PS400182	1		
PS400183	1		
PS400184	1		
PS400185	1, 7		
PS400186	1		
PS400187	1		
PS400188	1		
PS400189	1		
PS400190	1		
PS400191	1		
PS400192	1		
PS400193	1		
PS400194	1		
PS400195	1		
PS400197	7		
PS400198	7		
PS400199	7		
PS400200	7		
PS400201	7		
PS400202	7		
PS400203	7		
PS400204	7		
PS400205	7		
PS400206	7		
PS400207	7		
PS400208	7		
PS400209	7		
PS400210	10		