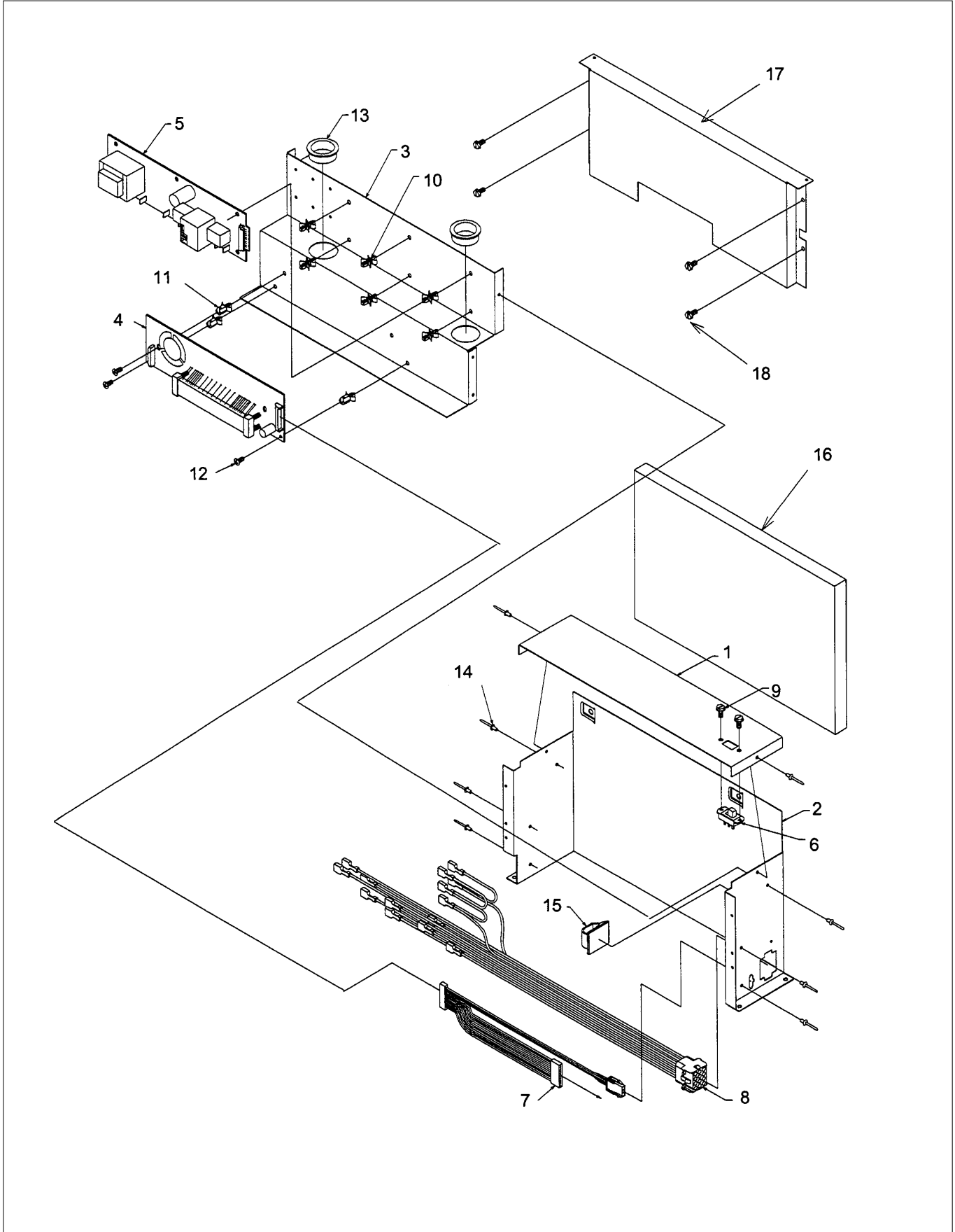


**VCBB362**

|                              |   |
|------------------------------|---|
| CONTROL ASSY .....           | 1 |
| DOOR ASSY .....              | 2 |
| DRAWER .....                 | 3 |
| EVAPORATOR AREA .....        | 4 |
| LADDERS .....                | 5 |
| ROLLER ASSY .....            | 6 |
| SHELVING .....               | 7 |
| TOP HINGES .....             | 8 |
| UPPER GRILLE .....           | 9 |
| Appendix A:Pages Index ..... | A |
| Appendix B:Parts Index ..... | B |

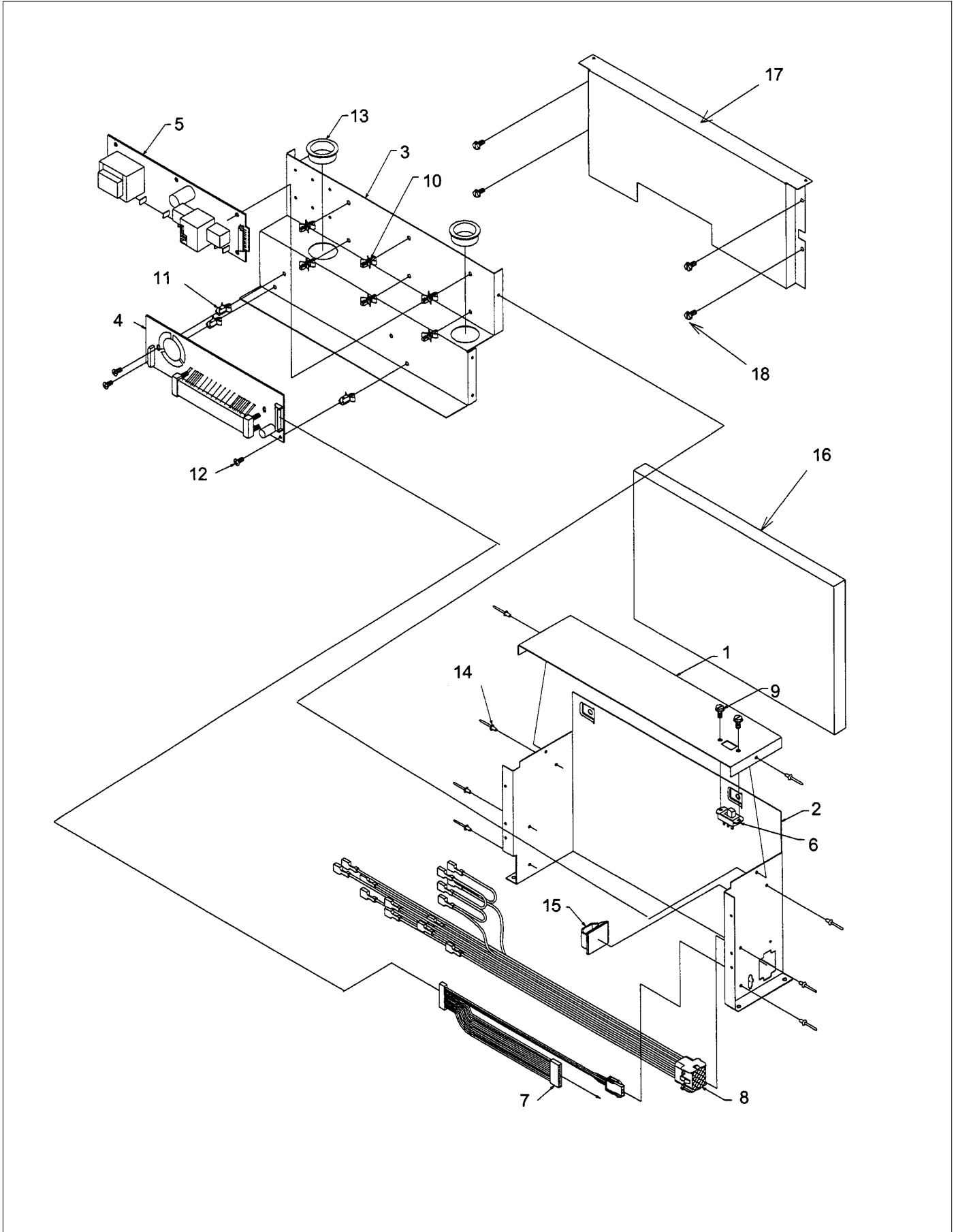


## CONTROL ASSY





| Item   | Part No.   | Name                                       | Qty | Uom | NOTES                  |
|--|------------|--|-----|-----|------------------------|
| 1  | K2096429   | SUB TO K2098657 - TOP-CONT<br>BOX 12090801 |     | EA  | NO LONGER<br>AVAILABLE |
| 2  | K2097709   | BOX CONTROL                                |     | EA  | NO LONGER<br>AVAILABLE |
| 3  | K2096430   | BRKT-PC 12090901                           |     | EA  | NO LONGER<br>AVAILABLE |
| 4  | 002670-000 | LOW VOLTAGE BOARD KIT<br>W/HARNESS         |     | EA  |                        |
| Comments for Part Num. 002670-000<br><br>boltz on Apr 12, 2018<br>See TR-0022-SP Bulletin  |            |  |     |     |                        |
| Not<br>Shown   | NOTE       | BEFORE 01/22/05                            |     | EA  |                        |
| 4  | PE070728   | BOARD LOW VOLTAGE                          |     | EA  |                        |
| Comments for Part Num. PE070728<br><br>bradleysapplianceservice@shaw.ca on Apr 27, 2016<br>COULD ALSO USE: 002670-000 LOW VOLTAGE BOARD KIT ANALOG - INCLUDES WIRE HARNESS |            |  |     |     |                        |
| Not<br>Shown   | NOTE       | ON OR AFTER 01/22/05                       |     | EA  |                        |
| 5  | 005319-000 | POWER CONTROL BOARD<br>ASM 5 SERIES        |     | EA  |                        |
| Comments for Part Num. 005319-000<br><br>boltz on Apr 12, 2018<br>See TR-0056-SP Bulletin  |            |  |     |     |                        |
| 6  | 10544502   | SWITCH-SLIDE GRN                           |     | EA  |                        |
| 7  | PE970464   | HARNESS LOW VOLT 5 SERIES                  |     | EA  |                        |
| 8  | PE970465   | HARNESS HIGH VOLT                          |     | EA  |                        |
| 9  | M0223816   | SCREW-TR                                   |     | EA  | NO LONGER<br>AVAILABLE |
| 10   | M0585504   | SUPPORT                                    |     | EA  |                        |
| 11   | M0585506   | SUPPORT                                    |     | EA  |                        |
| 12   | PD020013   | TYPE "AB" #6 X 3/8 PH PAN HD.<br>SMS       |     | EA  |                        |
| 13   | A4554817   | BUSHING-SNAP VA4554817                     |     | EA  |                        |





| Item | Part No. | Name                         | Qty | Uom | NOTES   |
|------|----------|------------------------------|-----|-----|---|
| 14   | A4539601 | DAMPER-TUBING .8             |     | EA  | Not available online / Call for pricing and availability                      |
| 15   | M0104106 | CLIP-CORD VM0104106          |     | EA  |   |
| 16   | 12074703 | INSUL-CONT BOX V12074703     |     | EA  | NO LONGER AVAILABLE, Not available online / Call for pricing and availability |
| 17   | K2096431 | FRONT-CONT PANEL<br>12091001 |     | EA  |   |
| 18   | M0238616 | SCREW, SMALL                 |     | EA  |   |
| NI   | M0288120 | NUT-SPEED VM0288120          |     | EA  |   |

DOOR ASSY

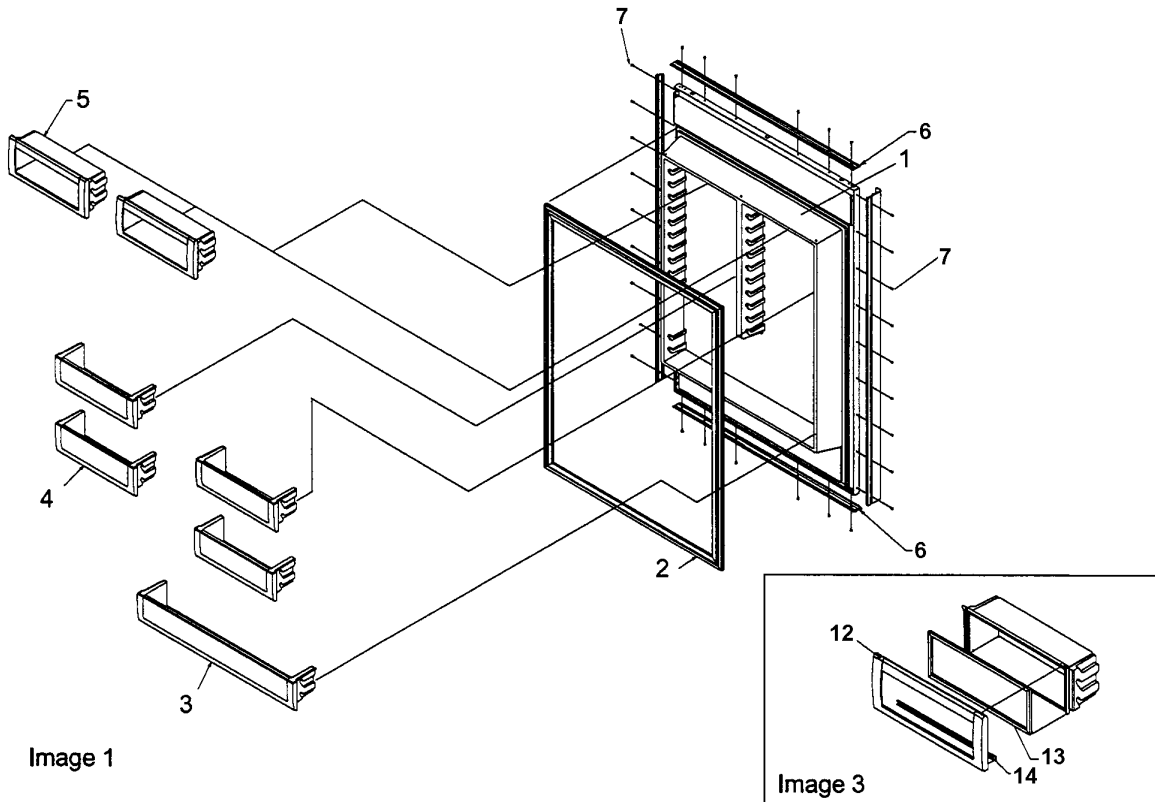


Image 1

Image 3

Image 2

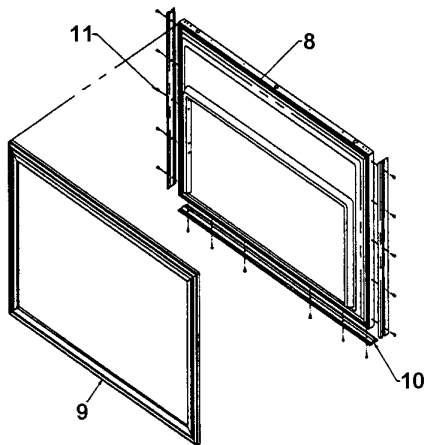


Image 4

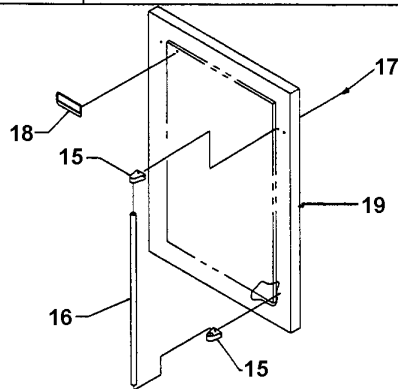
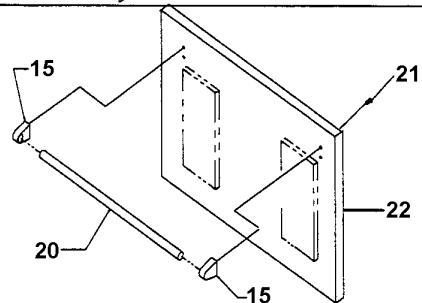


Image 5







| Item | Part No.    | Name                                    | Qty | Uom | NOTES   |
|------|-------------|---|-----|-----|---|
| 1    | G5096541    | REF DOOR ASSY 12061403                  | 1   | EA  |   |
| 2    | 001905-000  | SERV REFRIGERATOR<br>GASKET FACE CHARGE | 1   | EA  |   |
| 3    | V12039701   | Door Shelf Assy                         | 1   | EA  | Not available<br>online / Call for<br>pricing and<br>availability |
| 4    | 12055401    | Door Shelf Assy                         | 1   | EA  |   |
| 5    | V12097404   | Dairy Module Asm (BM)                   | 1   | EA  |   |
| 6    | 12493704    | Trim, Ref. Door - Top & Bottom          | 1   | EA  | Not available<br>online / Call for<br>pricing and<br>availability |
| 7    | M0210458    | SCREW-SM                                | 1   | EA  |   |
| 8    | G3296543    | FZ DOOR ASSY 12061505                   | 1   | EA  |   |
| 9    | 001904-000  | SERV. FREEZER GASKET<br>FACE CHARGE     | 1   | EA  |   |
| 10   | 12493702    | Trim, Freezer Door Top & Bottom         | 1   | EA  |   |
| 11   | M0210458    | SCREW-SM                                | 1   | EA  |   |
| 12   | V12097404   | Dairy Module Asm (BM)                   | 1   | EA  |   |
| 13   | V12097404   | Dairy Module Asm (BM)                   | 1   | EA  |   |
| 14   | V12097404   | Dairy Module Asm (BM)                   | 1   | EA  |   |
| 15   | 000268-000  | HANDLE ENDCAP                           | 1   | EA  |   |
| 15   | PE030001PVD | END CAP DOOR HANDLE *BR                 | 1   | EA  |   |
| 16   | PE030040    | DOOR/CNPY HNDLE - RPLCS<br>PE930090     | 1   | EA  | NO LONGER<br>AVAILABLE  |
| 16   | PE030044PVD | CNPY HDLE 41/53 PVD<br>F0005408         | 1   | EA  | NO LONGER<br>AVAILABLE  |
| 17   | M0202528    | SCREW-MACH #                            | 1   | EA  |   |
| 18   | PE010030    | LOGO                                    | 1   | EA  |   |
| 18   | PE010031    | LOGO 6" (VGRC) *BK/WH*                  | 1   | EA  | NO LONGER<br>AVAILABLE  |
| 18   | PE010068    | LOGO 6" (VGRC) BK/BR                    | 1   | EA  |   |
| 18   | PE010076    | LOGO 6" (VGRC) *BR/WH*                  | 1   | EA  | NO LONGER<br>AVAILABLE  |
| 19   | B2096934    | RC SKIN PRO BM LS                       | 1   | EA  |   |
| 19   | C9096934BK  | RC SKIN PRO BM LS                       | 1   | EA  |   |
| 19   | L2096934WH  | RPLCS L2096527WH RC SKIN<br>PRO BM LS   | 1   | EA  | NO LONGER<br>AVAILABLE  |

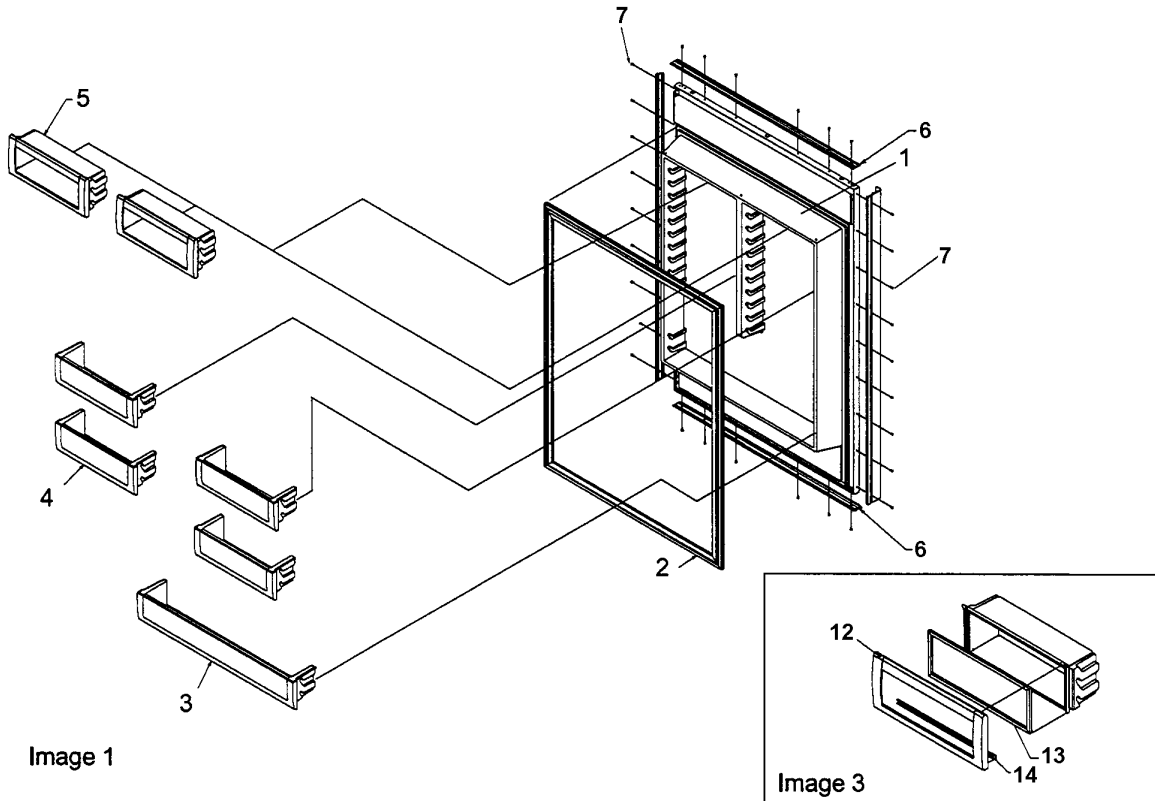


Image 2

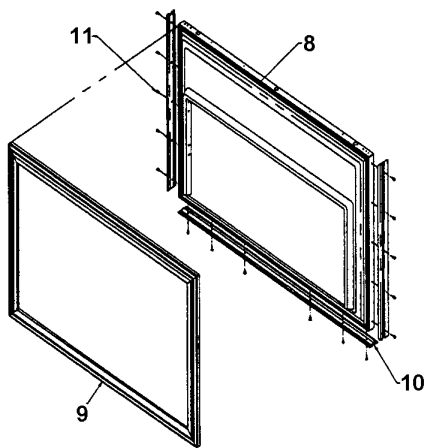


Image 4

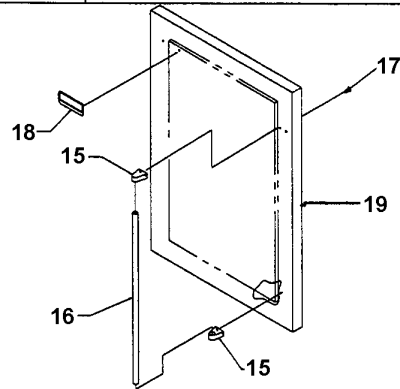
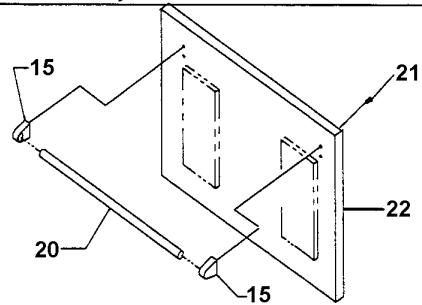
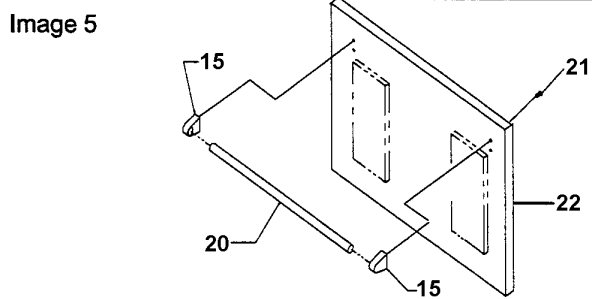
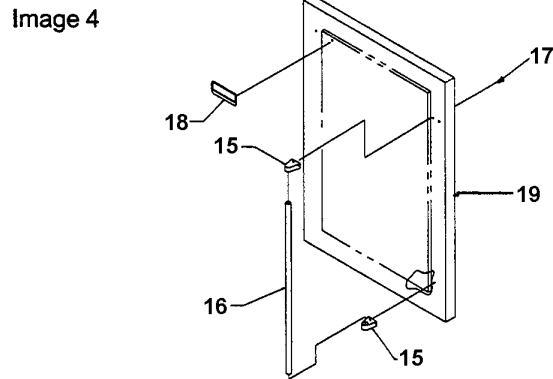
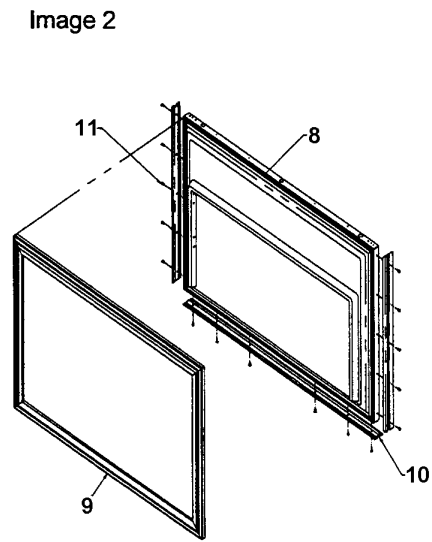
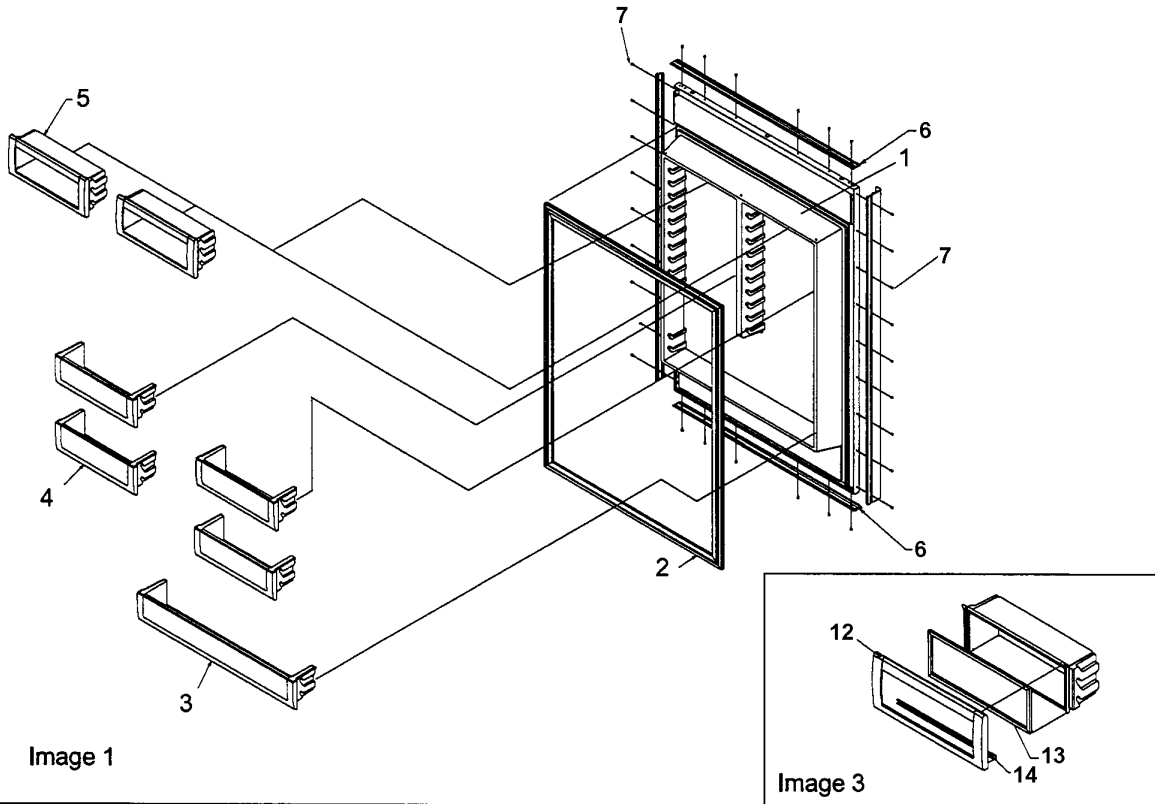


Image 5





| Item | Part No.   | Name                               | Qty | Uom | NOTES   |
|------|------------|------------------------------------|-----|-----|---|
| 19   | C9096934AL | RC SKIN PRO BM LS                  | 1   | EA  | NO LONGER AVAILABLE   |
| 19   | C9096934BT | RC SKIN PRO BM LS                  | 1   | EA  | NO LONGER AVAILABLE   |
| 19   | C9096934BU | RC SKIN PRO BM LS                  | 1   | EA  | Not available online / Call for pricing and availability                      |
| 19   | C9096934CB | RC SKIN PRO BM LS                  | 1   | EA  | Not available online / Call for pricing and availability                      |
| 19   | C9096934EP | RC SKIN PRO BM LS                  | 1   | EA  | NO LONGER AVAILABLE   |
| 19   | C9096934FG | RC SKIN PRO BM LS                  | 1   | EA  | NO LONGER AVAILABLE, Not available online / Call for pricing and availability |
| 19   | C9096934GG | RC SKIN PRO BM LS                  | 1   | EA  | Not available online / Call for pricing and availability                      |
| 19   | C9096934LE | REF. DOOR SKIN (LH) - LE           | 1   | EA  | Not available online / Call for pricing and availability                      |
| 19   | C9096934MJ | RC SKIN PRO BM LS                  | 1   | EA  | NO LONGER AVAILABLE, Not available online / Call for pricing and availability |
| 19   | C9096934SG | RC SKIN PRO BM LS                  | 1   | EA  | NO LONGER AVAILABLE, Not available online / Call for pricing and availability |
| 19   | C9096934VB | RC SKIN PRO BM LS                  | 1   | EA  | NO LONGER AVAILABLE   |
| 19   | B2096935   | RC SKIN PRO BM RH                  | 1   | EA  |   |
| 19   | C9096935BK | RC SKIN PRO BM RH                  | 1   | EA  |   |
| 19   | L2096935WH | RPLCS L2096528WH RC SKIN PRO BM RH | 1   | EA  | NO LONGER AVAILABLE   |
| 19   | C9096935AL | RC SKIN PRO BM RH                  | 1   | EA  | NO LONGER AVAILABLE, Not available online / Call for pricing and availability |



| Item | Part No.    | Name                           | Qty | Uom | NOTES   |
|------|-------------|--------------------------------|-----|-----|---|
| 19   | C9096935BT  | RC SKIN PRO BM RH              | 1   | EA  | NO LONGER AVAILABLE, Not available online / Call for pricing and availability |
| 19   | C9096935BU  | RC SKIN PRO BM RH              | 1   | EA  | Not available online / Call for pricing and availability                      |
| 19   | C9096935CB  | RC SKIN PRO BM RH              | 1   | EA  | NO LONGER AVAILABLE, Not available online / Call for pricing and availability |
| 19   | C9096935EP  | RC SKIN PRO BM RH              | 1   | EA  | NO LONGER AVAILABLE, Not available online / Call for pricing and availability |
| 19   | C9096935FG  | RC SKIN PRO BM RH              | 1   | EA  | NO LONGER AVAILABLE, Not available online / Call for pricing and availability |
| 19   | C9096935GG  | RC SKIN PRO BM RH              | 1   | EA  | NO LONGER AVAILABLE, Not available online / Call for pricing and availability |
| 19   | C9096935LE  | RC SKIN PRO BM RH              | 1   | EA  | NO LONGER AVAILABLE, Not available online / Call for pricing and availability |
| 19   | C9096935MJ  | RC SKIN PRO BM RH              | 1   | EA  | NO LONGER AVAILABLE, Not available online / Call for pricing and availability |
| 19   | C9096935SG  | RC SKIN PRO BM RH              | 1   | EA  | NO LONGER AVAILABLE, Not available online / Call for pricing and availability |
| 19   | C9096935VB  | RC SKIN PRO BM RH              | 1   | EA  | NO LONGER AVAILABLE, Not available online / Call for pricing and availability |
| 20   | PE030173    | 304 S.S HANDLE                 | 1   | EA  |   |
| 20   | PE930093PVD | HANDLE, REFRIGERATOR DOOR *BR* | 1   | EA  | Not available online / Call for pricing and availability                      |

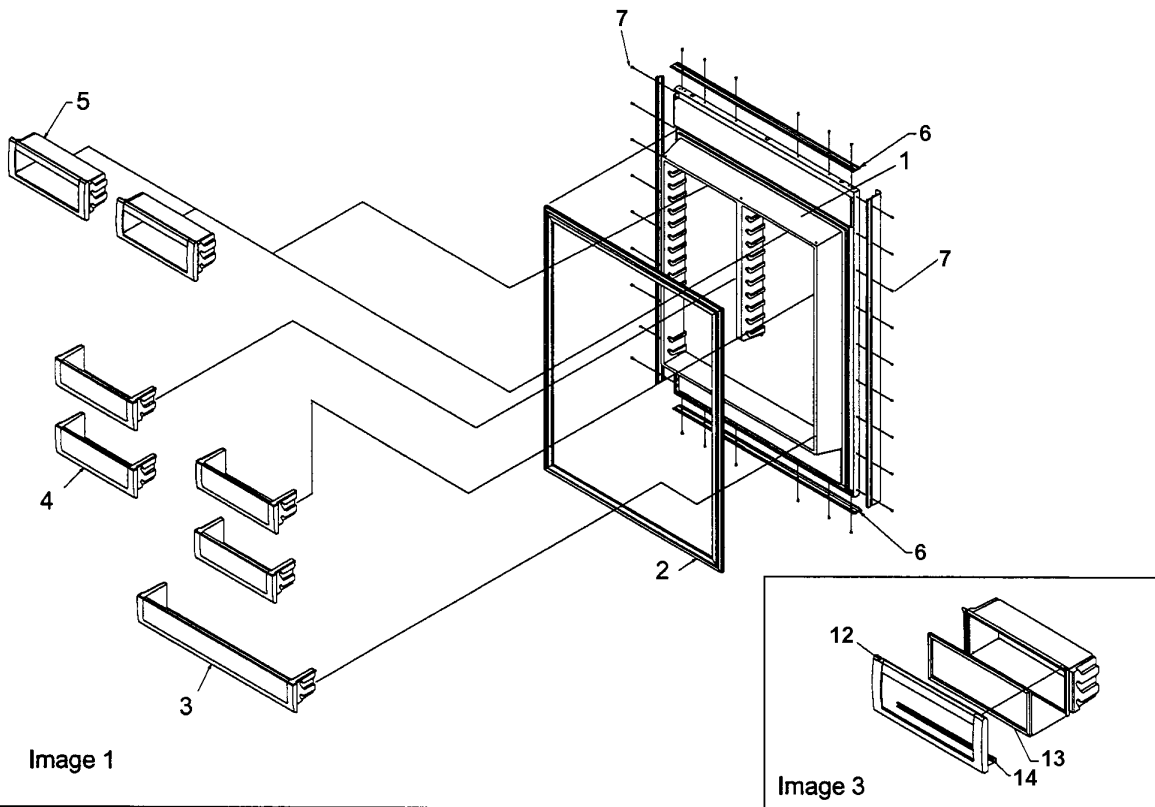


Image 1

Image 3

Image 2

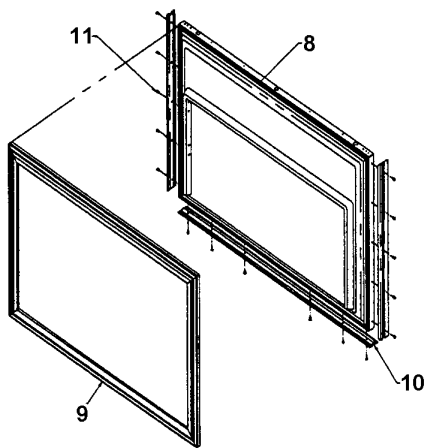


Image 4

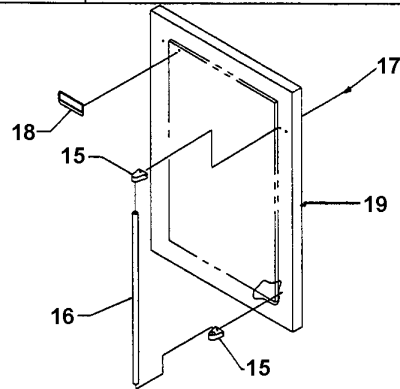
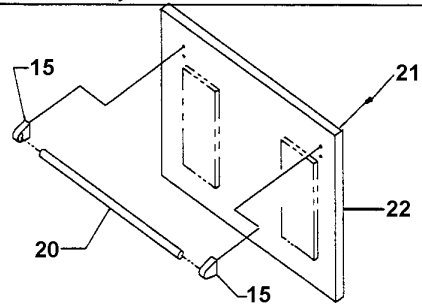


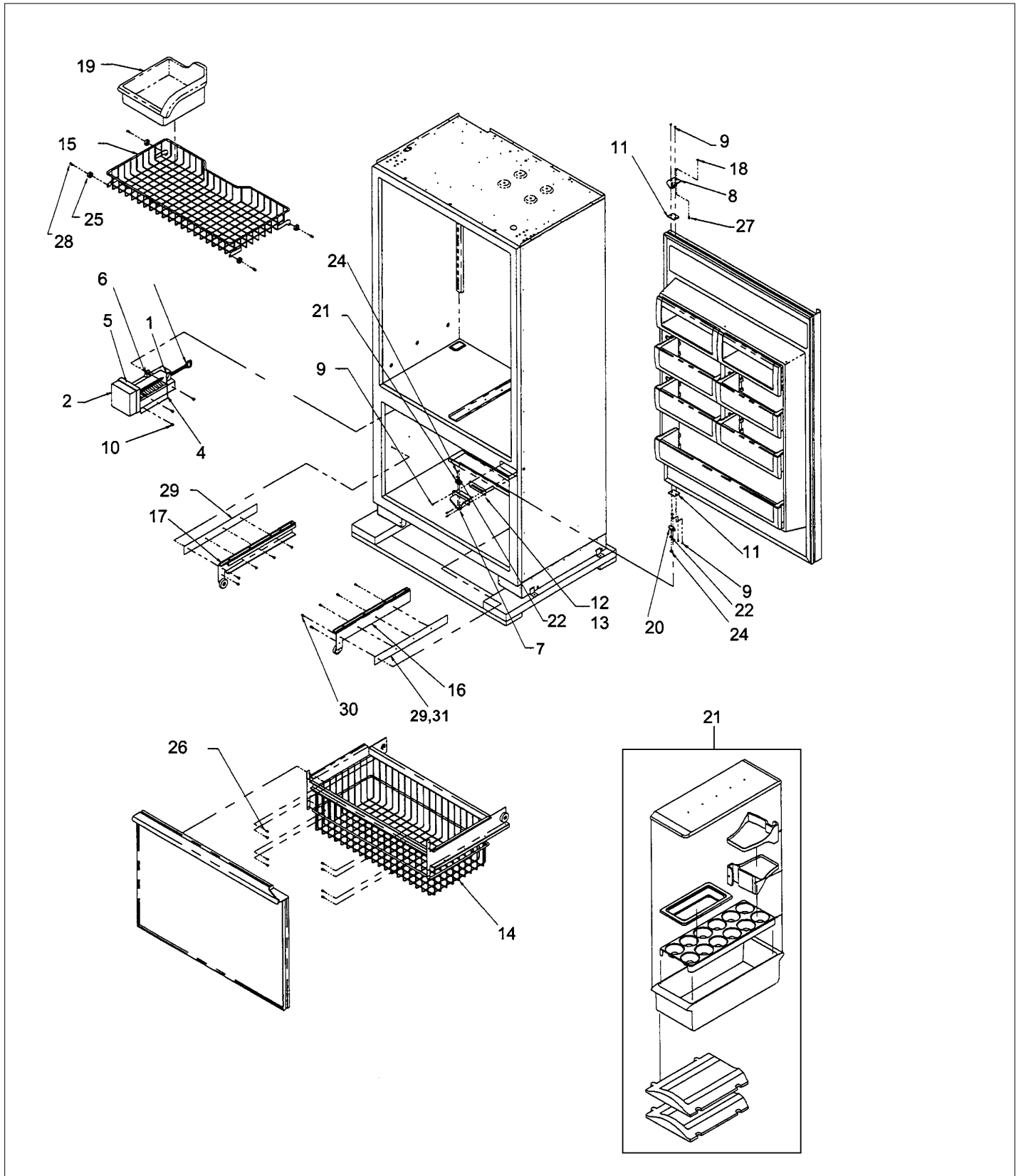
Image 5





| Item | Part No.   | Name                            | Qty | Uom | NOTES   |
|------|------------|---------------------------------|-----|-----|---|
| 21   | M0204303   | SCREW-MACH                      | 1   | EA  |   |
| 22   | B2096933   | FC PANEL PRO BM                 | 1   | EA  |   |
| 22   | C9096933BK | FC SKIN PRO BM                  | 1   | EA  |   |
| 22   | L2096933WH | RPLCS L2096531WH FC SKIN PRO BM | 1   | EA  | NO LONGER AVAILABLE   |
| 22   | C9096933AL | FC SKIN PRO BM                  | 1   | EA  | NO LONGER AVAILABLE   |
| 22   | C9096933BT | FC SKIN PRO BM                  | 1   | EA  | NO LONGER AVAILABLE   |
| 22   | C9096933BU | FC SKIN PRO BM                  | 1   | EA  | NO LONGER AVAILABLE   |
| 22   | C9096933CB | FC SKIN PRO BM                  | 1   | EA  | Not available online / Call for pricing and availability                      |
| 22   | C9096933EP | FC SKIN PRO BM                  | 1   | EA  | NO LONGER AVAILABLE, Not available online / Call for pricing and availability |
| 22   | C9096933FG | FC SKIN PRO BM                  | 1   | EA  | NO LONGER AVAILABLE   |
| 22   | C9096933GG | FC SKIN PRO BM                  | 1   | EA  |   |
| 22   | C9096933LE | FC SKIN PRO BM                  | 1   | EA  | Not available online / Call for pricing and availability                      |
| 22   | C9096933MJ | FC SKIN PRO BM                  | 1   | EA  | NO LONGER AVAILABLE   |
| 22   | C9096933SG | FC SKIN PRO BM                  | 1   | EA  | NO LONGER AVAILABLE, Not available online / Call for pricing and availability |
| 22   | C9096933VB | FC SKIN PRO BM                  | 1   | EA  | NO LONGER AVAILABLE, Not available online / Call for pricing and availability |
| NI   | V10921220  | INSULATION - REFRIGERATOR       | 1   | EA  | Not available online / Call for pricing and availability                      |
| NI   | V10921223  | INSULATION - FREEZER            | 1   | EA  | Not available online / Call for pricing and availability                      |

DRAWER





| Item | Part No.   | Name  | Qty | Uom | NOTES  |
|------|------------|---|-----|-----|--|
| 1    | PD030155   | CLIP-IM FILL CUP                                      | 1   | EA  |  |
| 2    | V10519806V | COVER-IM  | 1   | EA  | Not available online / Call for pricing and availability |
| 3    | 023112-000 | HARNESS,ICE MAKER                                     | 1   | EA  |  |
| 4    | 12505401   | ARM-IM SHUT OFF                                       | 1   | EA  | Not available online / Call for pricing and availability |
| 5    | G50911858  | ICE MAKER ASM, NLA, order components, see TR-0023C-SP | 1   | EA  | NO LONGER AVAILABLE                                      |

Comments for Part Num. G50911858

jennifer@thetrend.com on Feb 12, 2016

It would be nice to have the ice maker in the right location. Even better if it gave the right part number.

vharding68@verizon.net on Mar 16, 2016

Doesn't matter where it is or the part number....There has been a bulletin on these ice makers since November of 2007 (Btw...it is superseded by another bulletin that is prior to that date).

Bulletin number TR-0023B-SP

Val @ bob's, pa

bradleysapplianceservice@shaw.ca on Sep 1, 2016

SERVICE BULLETIN: TR-0023B-SP

SUBS TO:

002252-000 ICE MAKER MODULE

002251-000 ICE MAKER BAIL ARM

002253-000 ICE MAKER WIRE HARNESS

platinumcares@aol.com on Dec 4, 2017

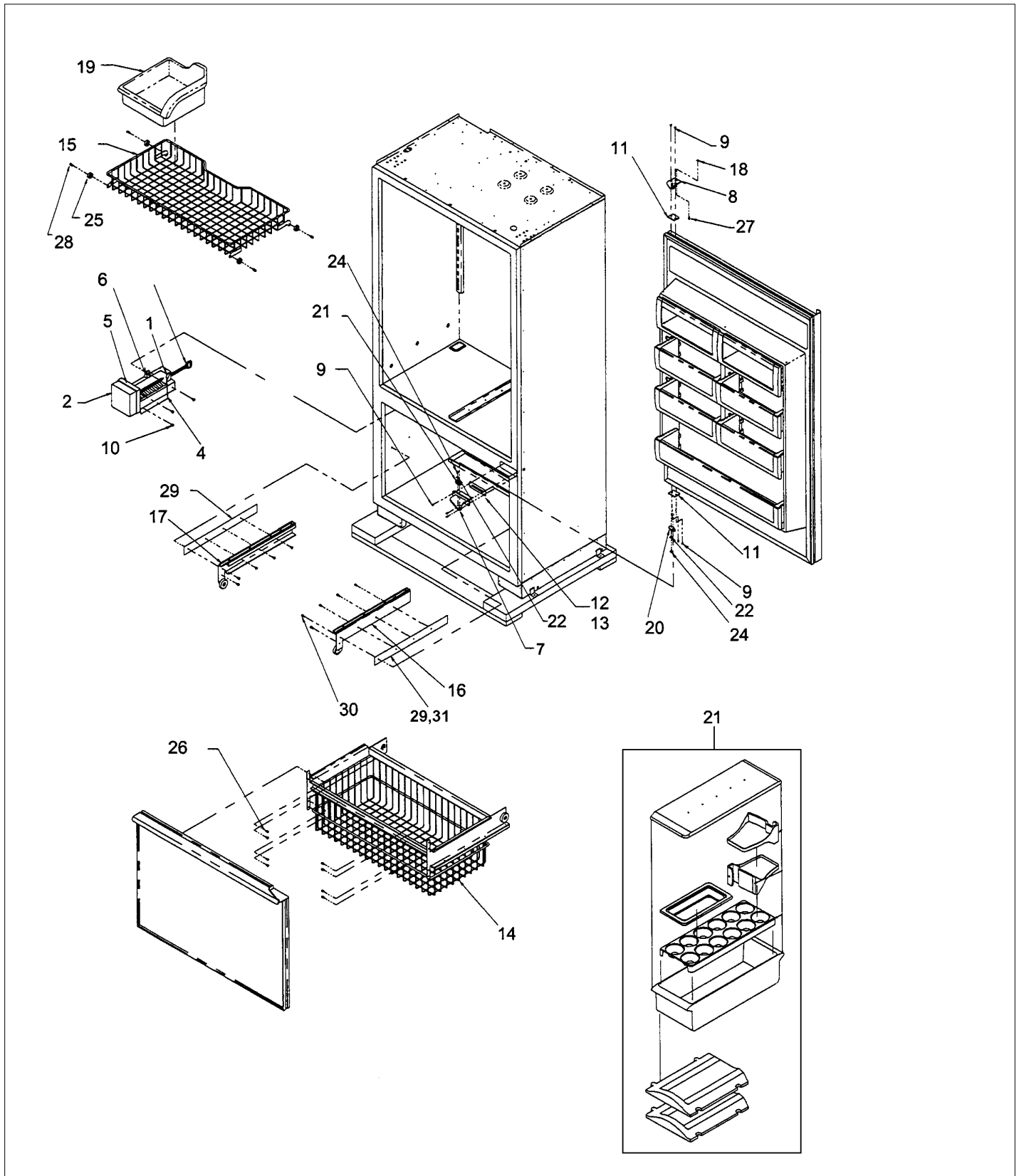
i/m assy #002252-000

wire harness 002253-000

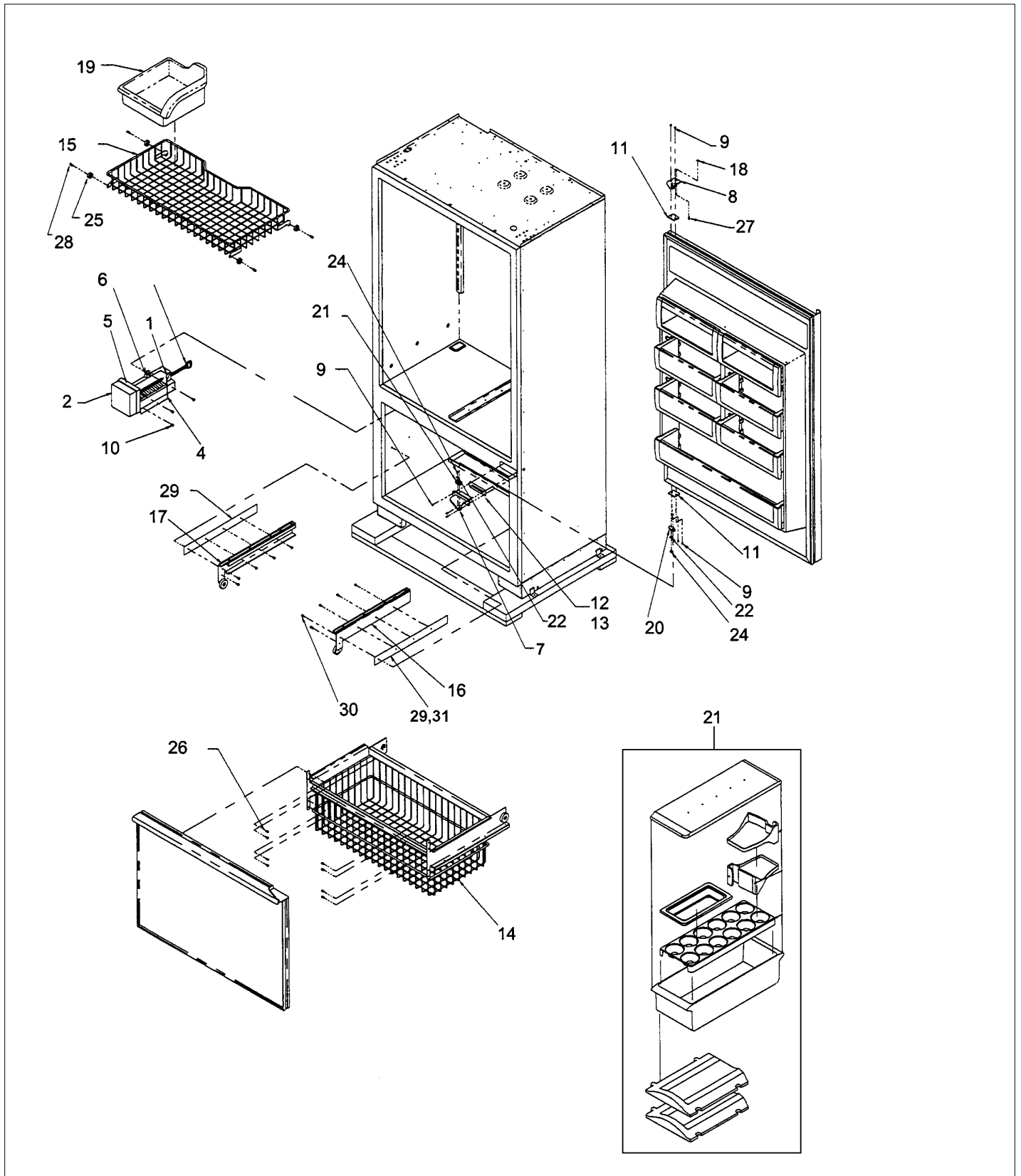
arm # 002251-000

you will need all three

|   |           |                                    |   |    |  |
|---|-----------|------------------------------------|---|----|--|
| 6 | 10526701  | CLAMP-WIRE V10526701               | 1 | EA |  |
| 7 | PC920041  | RC LOWER HINGE ASSY LH BTM MT      | 1 | EA |  |
| 7 | PC020250  | HINGE ASM, LOWER, BM, RH (PRO/DES) | 1 | EA |  |
| 8 | G50911810 | PIVOT PLATE SVC. KIT (BM-LH)       | 1 | EA |  |



| Item | Part No.   | Name  | Qty | Uom | NOTES  |
|------|------------|---|-----|-----|--|
| 8    | G50911809  | PIVOT PLATE SVC. KIT (BM-RH)  | 1   | EA  |  |
| 9    | M0226233   | SUB TO PD920174 - 10 X 7/8 PHILLIPS SMA TRI LOBE SA                 | 1   | EA  |  |
| 10   | M0211018   | SCREW-SM  | 1   | EA  |  |
| 11   | M6096628   | SPCR HINGE REP<br>V12530201/V12493901                               | 1   | EA  |  |
| 12   | 12068402   | SHIM, CENTER HINGE  | 1   | EA  | Not available online / Call for pricing and availability |
| 13   | K10911852  | SHIM-CENTER HINGE   | 1   | EA  |  |
| 14   | G5096548   | BOTTOM BASKET ASSY  | 1   | EA  |  |
| 15   | 12234601   | BASKET-TOP FZ   | 1   | EA  | NO LONGER AVAILABLE                                      |
| 16   | G5096594   | R BRACKET ASSY - RPLCS<br>J9096618WH                                | 1   | EA  |  |
| 17   | G5096595   | L BRACKET ASSY - RPLCS<br>J9096619WH - NLA                          | 1   | EA  |  |
| 18   | 40370P01   | NYLON FLAT WASHER<br>V40370P01                                      | 1   | EA  |  |
| 19   | 005795-000 | PAN,ICE,AF AR 30 36   | 1   | EA  |  |
| 20   | PC020231   | CAM DOOR CLOSURE TOP<br>WHITE                                       | 1   | EA  |  |
| 21   | 019244-000 | ACCESSORY, ASM  | 1   | EA  |  |
| 22   | M0272803   | WASHER-LOCK   | 1   | EA  |  |
| 23   | M0321202   | TIE-ELEC  | 1   | EA  |  |
| 24   | M0202528   | SCREW-MACH #  | 1   | EA  |  |
| 25   | 12088001   | ROLLER-UP BSKT  | 1   | EA  |  |
| 26   | 023005-000 | SCREW-TF  | 1   | EA  |  |
| NI   | PC920050   | HNGE TP RLW VCBB360RSS<br>RE V12119503 (LOWER RIGHT<br>PIVOT PLATE) | 1   | EA  |  |
| NI   | PC920052   | HINGE TAP L LW REP<br>V12119504 (LOWER LEFT<br>PIVOT PLATE)         | 1   | EA  |  |
| 27   | M0220928   | SCREW, SHOULDER   | 1   | EA  |  |
| 28   | PD020189   | SHSCR 12/28 AB SKT .641   | 1   | EA  |  |
| 29   | 12131902   | SHIM, FZ BASKET   | 1   | EA  | Not available online / Call for pricing and availability |





| Item | Part No.   | Name                                     | Qty | Uom | NOTES   |
|------|------------|--|-----|-----|---|
| 30   | PD920174   | 10-32 TORX HEAD SCREW                    | 1   | EA  |   |
| 31   | PK930042   | SPACER, GLIDE, BM                        | 1   | EA  |   |
| NI   | B5720304   | CLIP VB5720304                           | 1   | EA  |   |
| NI   | M0210443   | SCREW-E SM VM0210443                     | 1   | EA  |   |
| NI   | M0224416   | SCREW-SM                                 | 1   | EA  |   |
| NI   | C9096579BK | SUB TO G5096604 - TOE<br>GRILLE-12064306 | 1   | EA  | NO LONGER<br>AVAILABLE, Not<br>available online /<br>Call for pricing<br>and availability |
| NI   | G5096604   | 36" TOE GRILLE ASSY REPL<br>12064406     | 1   | EA  |   |

## EVAPORATOR AREA

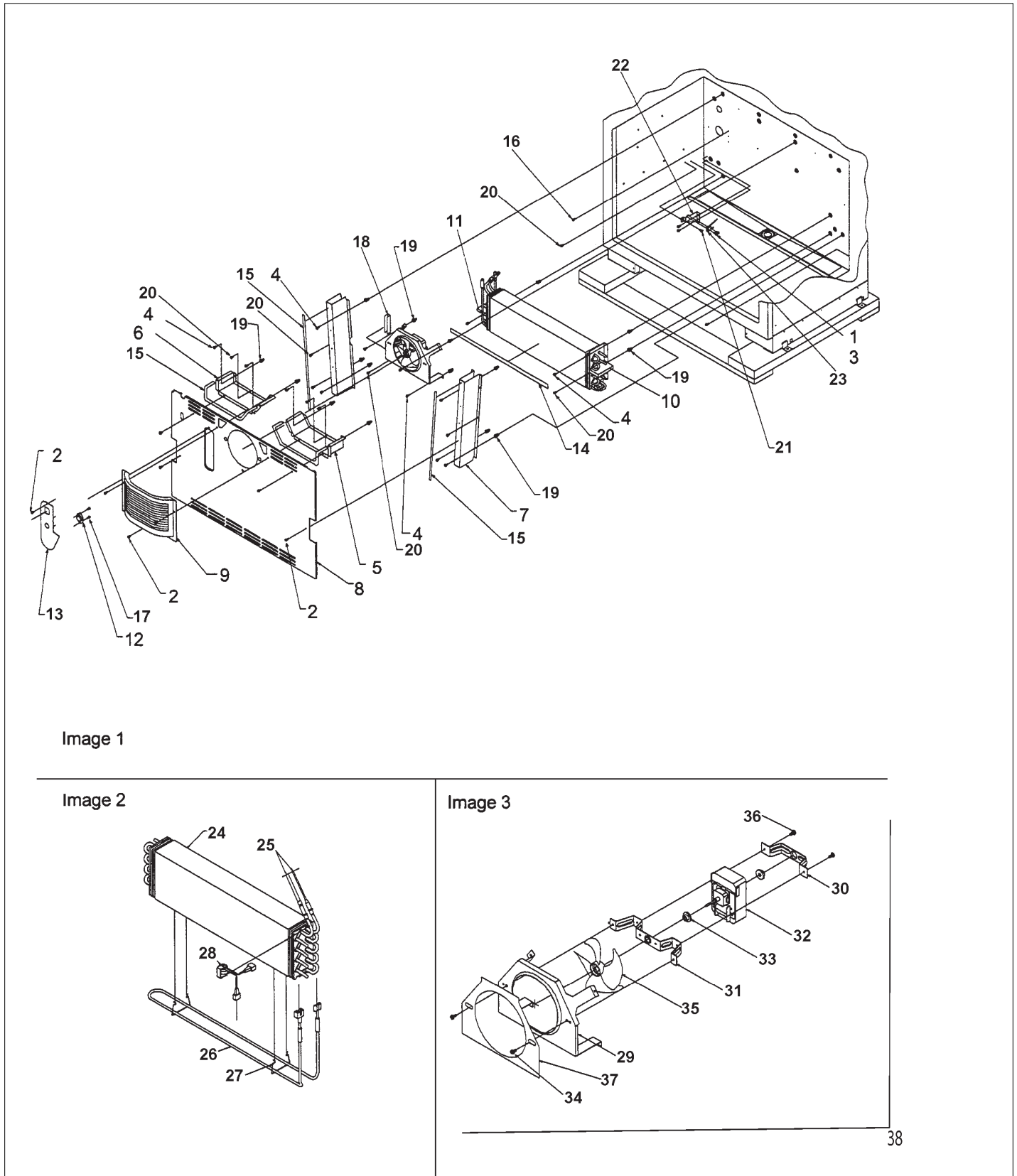


Image 1

Image 2

Image 3

| Item | Part No.   | Name                    | Qty | Uom | NOTES   |
|------|------------|-------------------------|-----|-----|---|
| 1    | M0322202   | TIE-WIRE                | 1   | EA  |   |
| 2    | M0211018   | SCREW-SM                | 1   | EA  |   |
| 3    | M0213105   | SCREW-SM                | 1   | EA  |   |
| 4    | M0238616   | SCREW, SMALL            | 1   | EA  |   |
| 5    | K2096575   | BRACKET R DIVIDER       | 1   | EA  | NO LONGER AVAILABLE, Not available online / Call for pricing and availability |
| 6    | K2096576   | BRKT-L DIVIDER 12065606 | 1   | EA  | NO LONGER AVAILABLE, Not available online / Call for pricing and availability |
| 7    | K2096577   | CHANNEL, RTN AIR        | 1   | EA  | NO LONGER AVAILABLE, Not available online / Call for pricing and availability |
| 8    | C9096578WH | EVAPORATOR COVER 36"    | 1   | EA  |   |
| 9    | 12063301   | COVER-FZ FAN V12063301  | 1   | EA  |   |
| 10   | 12067201   | BLOCK, RH EVAP          | 1   | EA  | Not available online / Call for pricing and availability                      |
| 11   | 12067301   | BLOCK-L EVAP V12067301  | 1   | EA  |   |
| 12   | C8983701   | THERMISTOR              | 1   | EA  |   |
| 13   | V12089103  | COVER, FZR. SWITCH      | 1   | EA  | Not available online / Call for pricing and availability                      |
| 14   | A3189348   | GASKET-FOAM VA3189348   | 1   | EA  |   |
| 15   | A3030335   | GASKET VA3030335        | 1   | EA  | NO LONGER AVAILABLE   |
| 16   | M0232903   | SCREW-SE                | 1   | EA  | NO LONGER AVAILABLE   |
| 17   | M0211014   | SCREW-SM                | 1   | EA  | Not available online / Call for pricing and availability                      |
| 18   | A3189370   | GASKET-FOAM VA3189370   | 1   | EA  |   |
| 19   | M0581001   | GROMMET-SCREW VM0581001 | 1   | EA  |   |
| 20   | M0232929   | SCREW-SE                | 1   | EA  |   |
| 21   | M0224416   | SCREW-SM                | 1   | EA  |   |

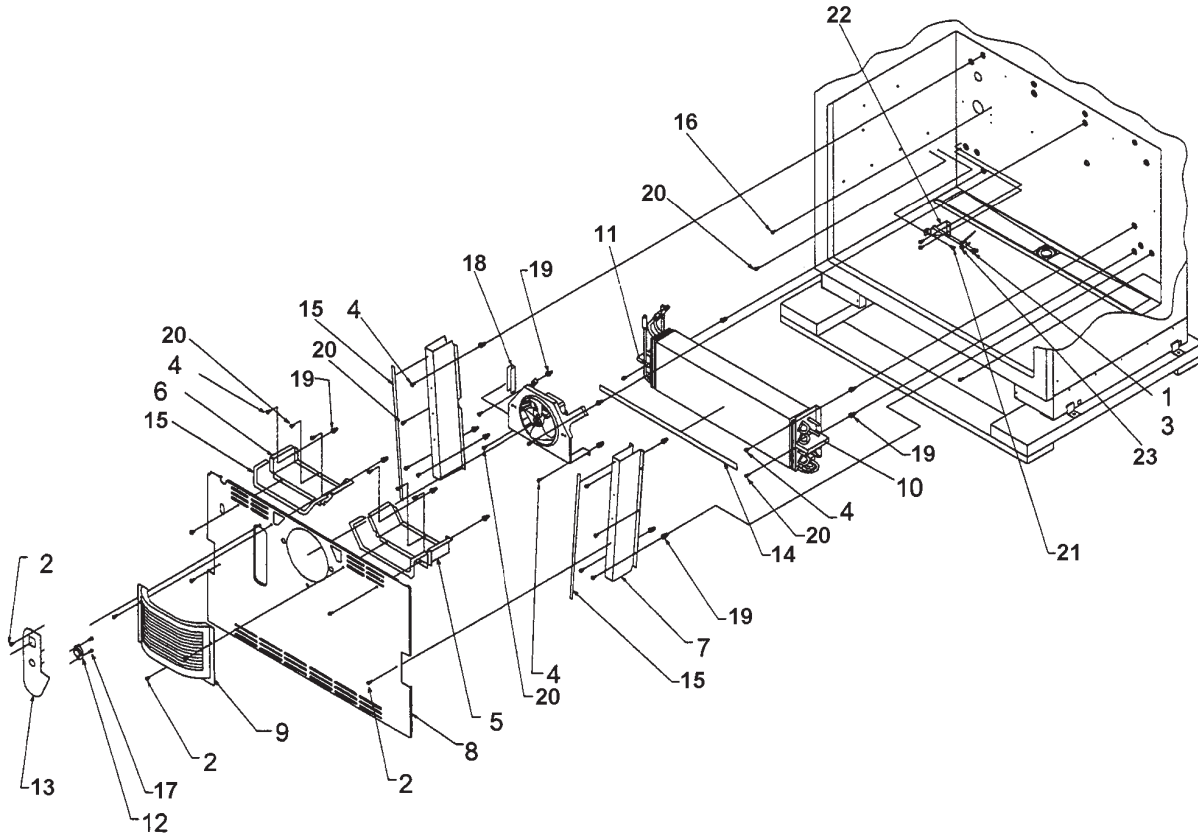


Image 1

Image 2

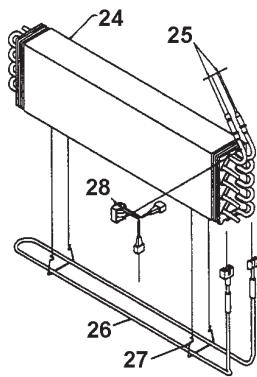
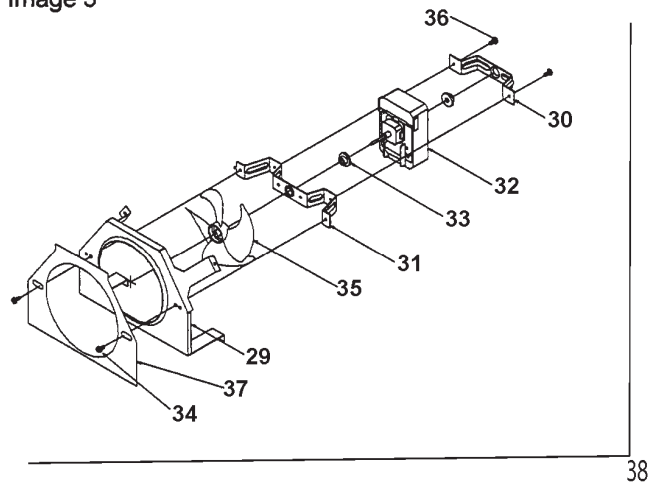


Image 3





| Item      | Part No.   | Name                                      | Qty | Uom | NOTES   |
|-----------|------------|---|-----|-----|---|
| 22        | K2096589   | BRACKET, SW MNT                           | 1   | EA  |   |
| 23        | 12401402   | SWITCH, FAN                               | 1   | EA  |   |
| 24        | PM910178   | BOTTOM MOUNT EVAP                         | 1   | EA  |   |
| 25        | 12061701   | HT EX ASSY                                | 1   | EA  | Not available online / Call for pricing and availability                      |
| 26        | 10428409   | HEATER, EVAP                              | 1   | EA  | Not available online / Call for pricing and availability                      |
| 27        | 10428101   | CLIP-EVAP HTR V10428101                   | 1   | EA  |   |
| 28        | 058966-000 | THERMOSTAT, SNAP ACTION, 55 OPEN 20 CLOSE | 1   | EA  |   |
| 29        | 12067603   | SHROUD-EVAP FAN                           | 1   | EA  | NO LONGER AVAILABLE, Not available online / Call for pricing and availability |
| 30        | 10656001   | BRKT-MTR MT/LW V10656001                  | 1   | EA  | NO LONGER AVAILABLE, Not available online / Call for pricing and availability |
| 31        | 10656101   | BRKT-MTR UP STEEL V1065601Q               | 1   | EA  |   |
| 32        | 10654207   | MOTOR, ECM EVAP FN                        | 1   | EA  |   |
| Not Shown | NOTE       | (MUST ORDER ASSEMBLY)                     |     | EA  |   |
| 33        | A1017202   | GROMMET-FAN VA1017202                     | 1   | EA  |   |
| 34        | M0253543   | SCREW-TF                                  | 1   | EA  | NO LONGER AVAILABLE, Not available online / Call for pricing and availability |
| 35        | 12059901   | FAN-EVAP/5.250 V12059901                  | 1   | EA  |   |
| 36        | M0224416   | SCREW-SM                                  | 1   | EA  |   |
| 37        | 12102401   | GSKT-EVAP FAN SHRD V12102401              | 1   | EA  |   |
| NI        | 016774-000 | SECONDARY DRAIN TROUGH KIT                | 1   | EA  |   |
| NI        | 031006-000 | HEAT EXCHANGER ASM BM 36                  | 1   | EA  |   |
| 38        | G5096546   | 36" EVAP FAN ASSY - REPL 12062401         | 1   | EA  |   |

LADDERS

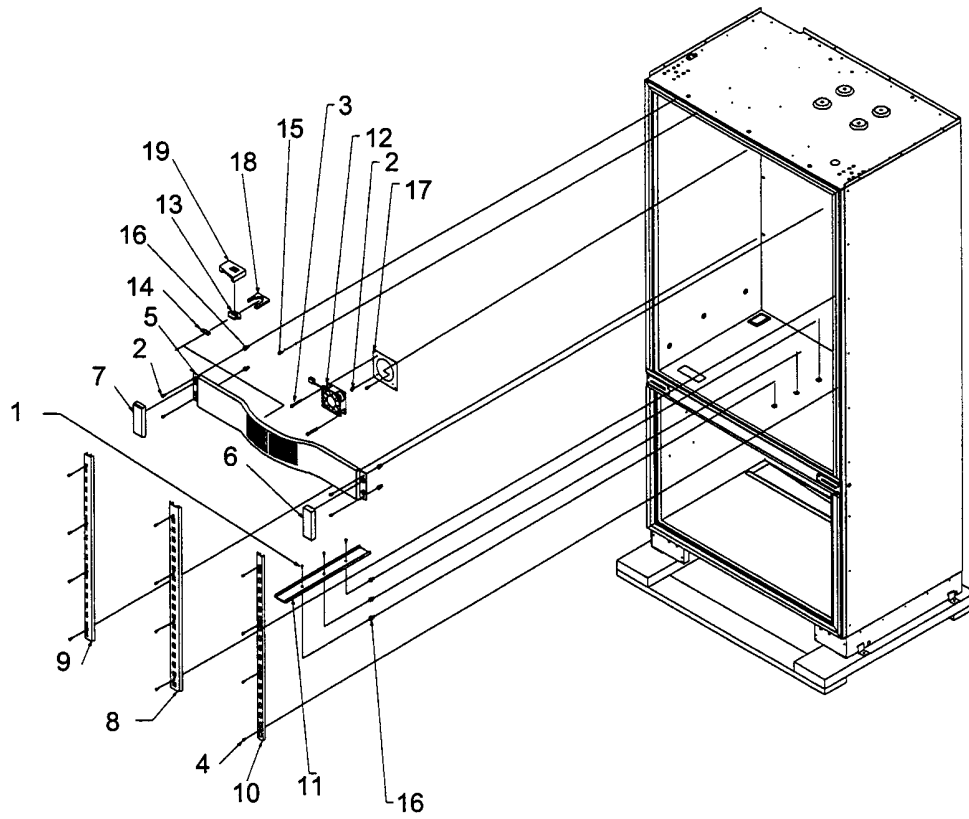
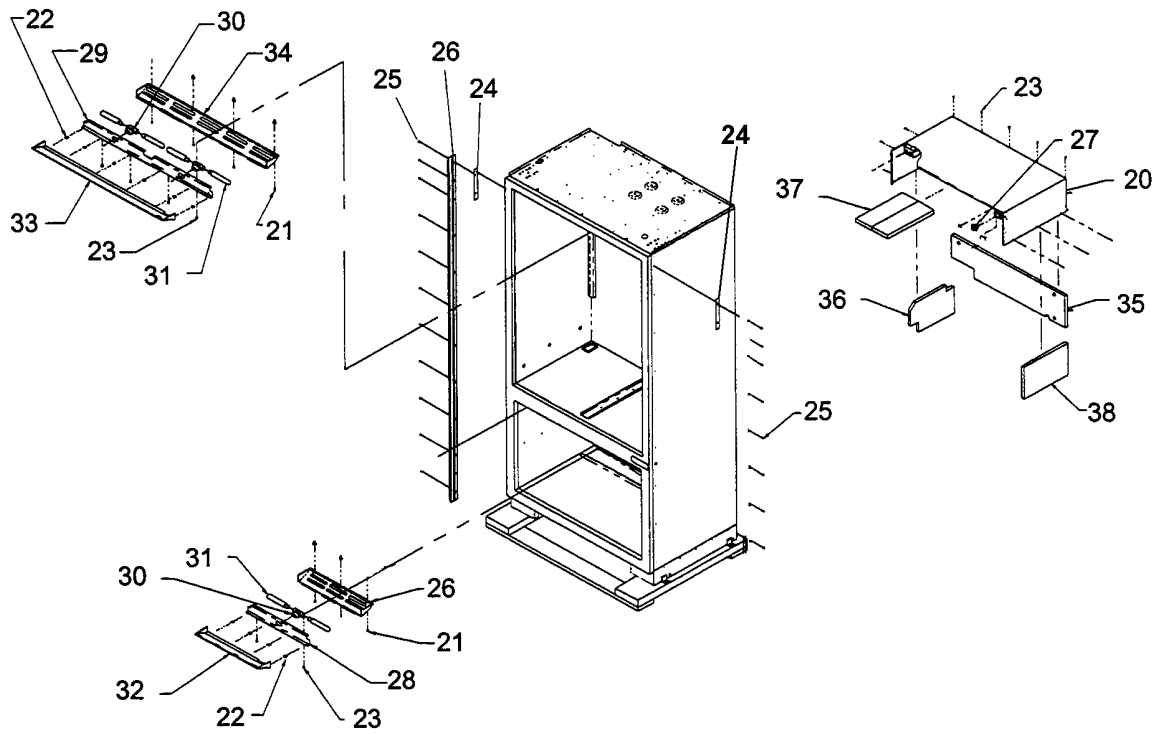


Image 1

Image 2





| Item   | Part No.   | Name                                    | Qty | Uom | NOTES   |
|--|------------|---|-----|-----|---|
| 1  | M0211019   | SCREW, SM                               | 1   | EA  | Not available online / Call for pricing and availability                      |
| 2  | M0211018   | SCREW-SM                                | 1   | EA  |   |
| 3  | M0218137   | SCREW-SM                                | 1   | EA  |   |
| 4  | M0234005   | SCREW-TF                                | 1   | EA  |   |
| 5  | 12067401   | FAN COVER                               | 1   | EA  |   |
| 6  | 12070201   | CAP-R FAN COVER V12070201               | 1   | EA  |   |
| 7  | 12070202   | CAP-L FAN COVER V12070202               | 1   | EA  |   |
| 8  | 12071501   | LADDER-CTR CANT<br>V12071501            | 1   | EA  |   |
| 9  | 12071601   | LADDER-L SIDE CANT<br>V12071601         | 1   | EA  | NO LONGER AVAILABLE   |
| 10   | 12071701   | SUB TO PK020074 - LADDER-R<br>SIDE CANT | 1   | EA  | NO LONGER AVAILABLE   |
| 11   | 12118901   | TRACK-DELI DRAWER                       | 1   | EA  |   |
| 12   | 004551-000 | AXIAL FAN                               | 1   | EA  |   |
| <p>Comments for Part Num. 004551-000</p> <p>gboltz@VikingRange.com on Jul 21, 2016</p> <p>View service bulletin TR-0052-SP before ordering fan, if applicable order kit instead of fan</p> |            |   |     |     |   |
| 13   | C8983701   | THERMISTOR                              | 1   | EA  |   |
| 14   | 12090301   | CLIP-S V12090301                        | 1   | EA  |   |
| 15   | M0232903   | SCREW-SE                                | 1   | EA  | NO LONGER AVAILABLE   |
| 16   | M0581001   | GROMMET-SCREW<br>VM0581001              | 1   | EA  |   |
| 17   | K2096475   | FAN MOUNTING PLATE                      | 1   | EA  |   |
| 18   | 12404901   | GASKET-THERM V12404901                  | 1   | EA  |   |
| 19   | 12406001   | INSULATION, THERMAL                     | 1   | EA  | Not available online / Call for pricing and availability                      |
| 20   | G3096601   | MC COVER WELD                           | 1   | EA  | NO LONGER AVAILABLE, Not available online / Call for pricing and availability |
| 21   | M0238846   | SCREW-SHLDR                             | 1   | EA  |   |

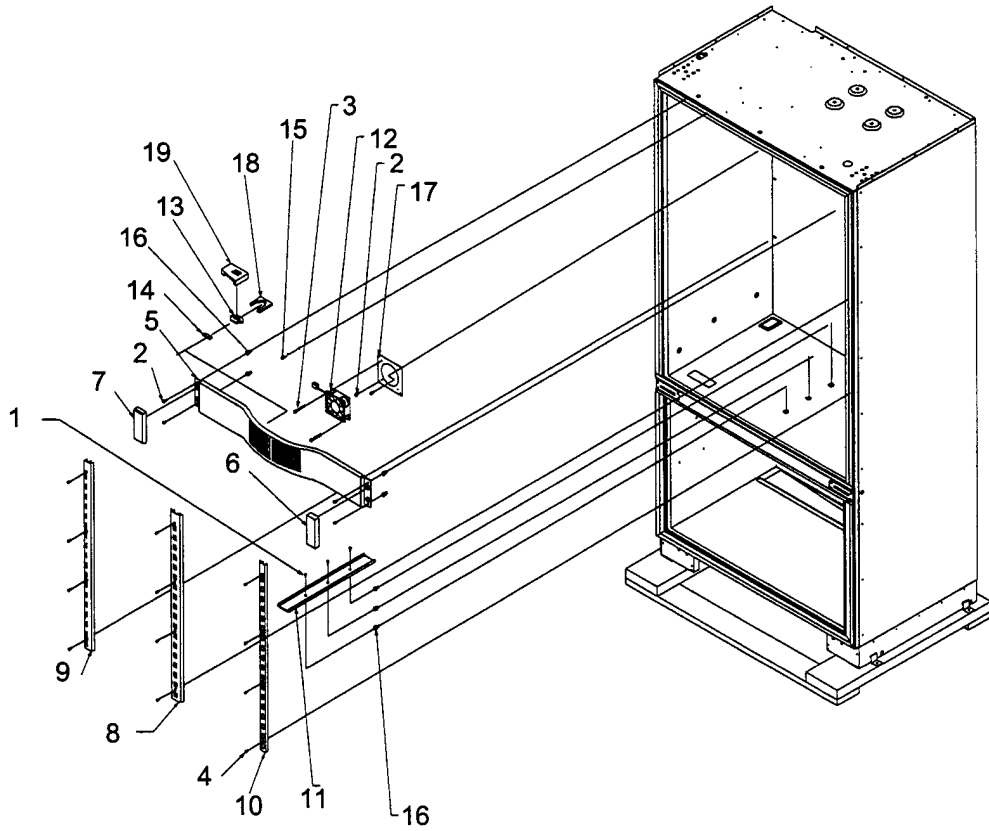
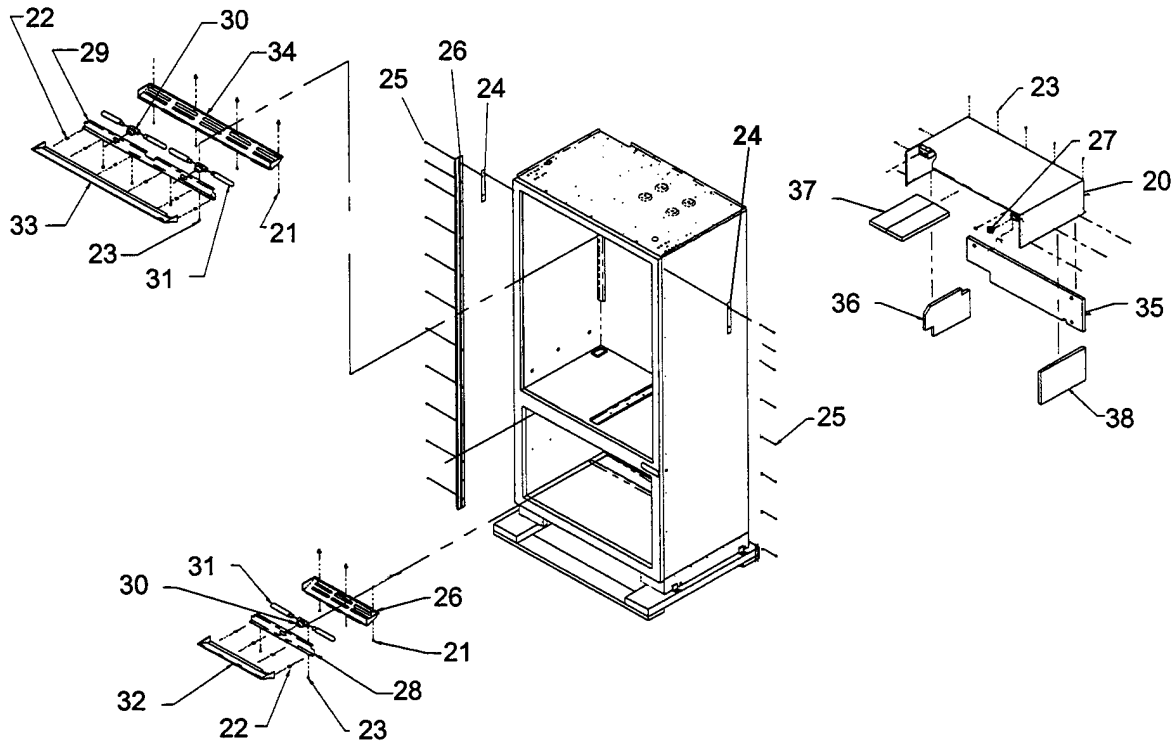


Image 1

Image 2



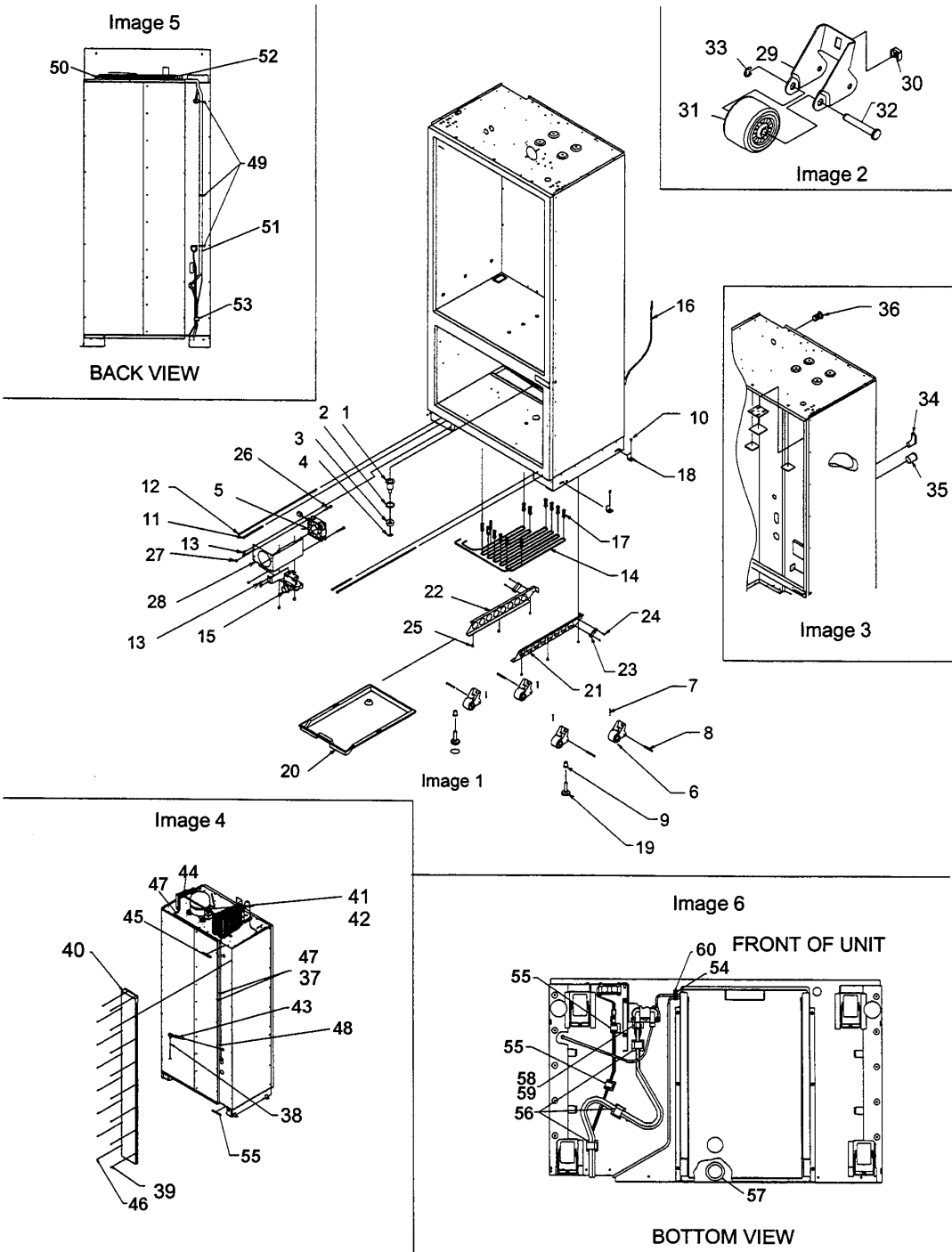


| Item | Part No.   | Name                                    | Qty | Uom | NOTES   |
|------|------------|---|-----|-----|---|
| 22   | M0108201   | CLIP-S                                  | 1   | EA  | NO LONGER AVAILABLE   |
| 23   | M0238616   | SCREW, SMALL                            | 1   | EA  |   |
| 24   | 12135402   | SHIM-CAB TRIM                           | 1   | EA  |   |
| 25   | M0220417   | SCREW-TC                                | 1   | EA  |   |
| 26   | B2096406   | RETAINER, CABINET - SS                  | 1   | EA  |   |
| 26   | C9396406BR | SIDE TRIM PVD REPL<br>C9305409BR        | 1   | EA  | Not available online / Call for pricing and availability                      |
| 27   | PE950149   | SWITCH POWER                            | 1   | EA  |   |
| 28   | L2096422   | BRKT-FZ LIGHT 12055701                  | 1   | EA  | NO LONGER AVAILABLE   |
| 29   | L2096581   | SUB TO L2098310 - BRACKET,<br>REF LIGHT | 1   | EA  | NO LONGER AVAILABLE, Not available online / Call for pricing and availability |
| 30   | 12096901   | SOCKET-LIGHT                            | 1   | EA  | NO LONGER AVAILABLE   |
| 31   | 004528-000 | LAMP, 40 WATT CLEAR LIGHT               | 1   | EA  |   |
| 32   | 12074501   | COVER-FZ LIGHT                          | 1   | EA  |   |
| 33   | 12072001   | COVER-REF LIGHT V12072001               | 1   | EA  |   |
| 34   | 12072801   | LENS, REF LIGHT                         | 1   | EA  |   |
| 35   | 12074401   | INSUL-BACK MC CVR<br>V12074401          | 1   | EA  | NO LONGER AVAILABLE, Not available online / Call for pricing and availability |
| 36   | 12074601   | INSUL-L MC CVR V12074601                | 1   | EA  |   |
| 37   | 12074701   | INSUL-MC CVR V12074701                  | 1   | EA  |   |
| 38   | 12074702   | INSUL-R MC CVR V12074702                | 1   | EA  |   |
| 39   | PK930253   | LENS LIGHT BM 36" FZ                    | 1   | EA  |   |
| NI   | 013112-000 | NOISE REDUCTION FAN KIT                 | 1   | EA  |   |



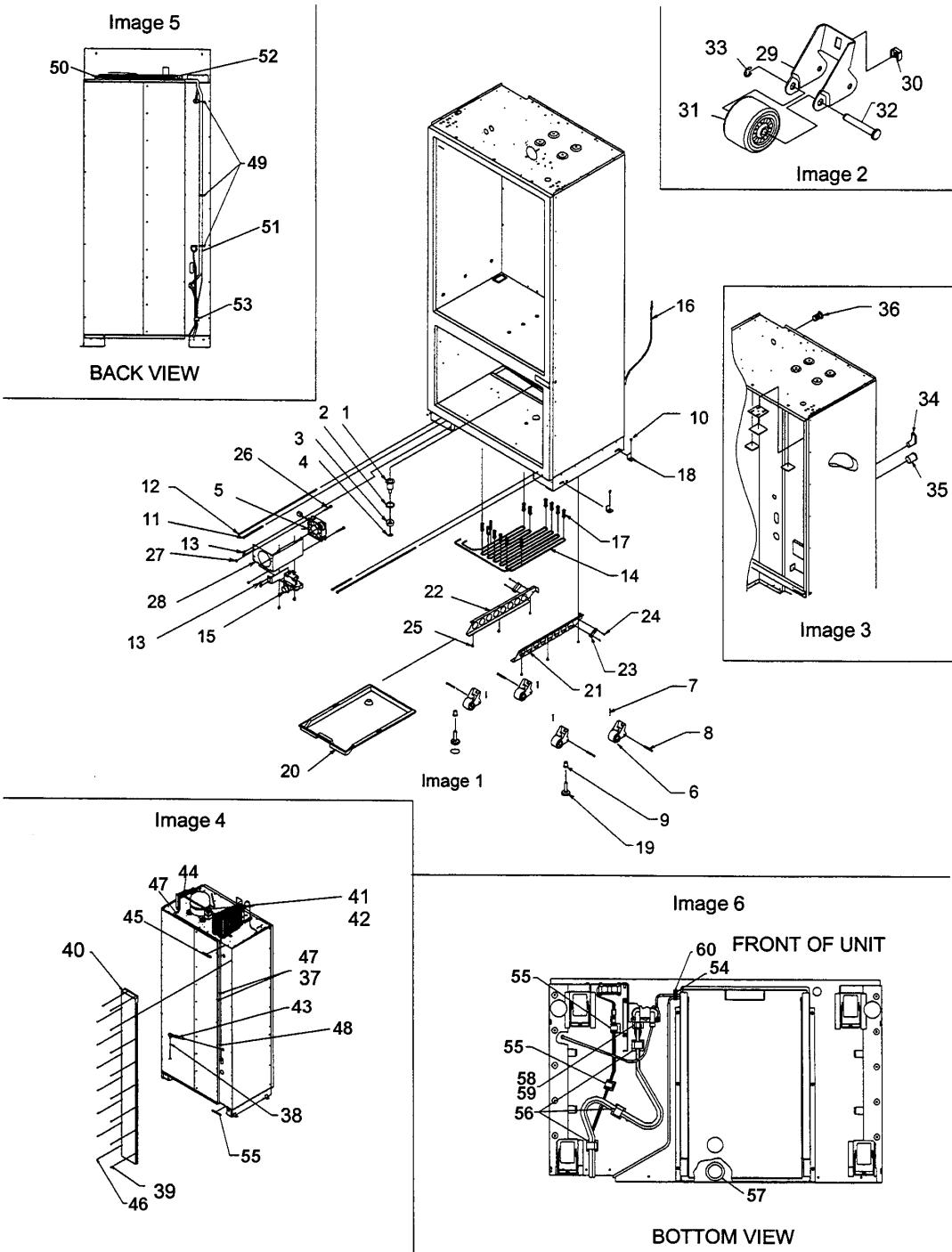


| Item   | Part No.   | Name                                   | Qty | Uom | NOTES   |
|--|------------|--|-----|-----|---|
| 1  | 12034002   | FUNNEL, DRAIN                          | 1   | EA  | Not available online / Call for pricing and availability                      |
| 2  | 12034401   | GASKET-FUNNEL                          | 1   | EA  |   |
| 3  | B8381501   | GASKET-DRAIN TUBE<br>VB8381501         | 1   | EA  |   |
| 4  | M0273301   | CLIP-RETAINING                         | 1   | EA  | NO LONGER AVAILABLE, Not available online / Call for pricing and availability |
| 5  | 004551-000 | AXIAL FAN                              | 1   | EA  |   |
| Comments for Part Num. 004551-000  |            |  |     |     |   |
| gboltz@VikingRange.com on Jul 21, 2016   |            |  |     |     |   |
| View service bulletin TR-0052-SP before ordering fan, if applicable order kit instead of fan |            |  |     |     |   |
| 6  | G5096596   | ROLLER BRKT ASSY RPLCS<br>G5096490     | 1   | EA  |   |
| 7  | M1200004   | PIN-COTTER                             | 1   | EA  |   |
| 8  | M1200203   | PIN-CLEVIS                             | 1   | EA  |   |
| 9  | M0295308   | NUT-RIVET VM0295308                    | 1   | EA  |   |
| 10   | M0267153   | SCREW-MACH VM0267153                   | 1   | EA  | NO LONGER AVAILABLE, Not available online / Call for pricing and availability |
| 11   | M0204339   | SCREW-ADJ ROLLER<br>VM0204339          | 1   | EA  |   |
| 12   | 10093305   | SCREW-ADJ ROLLER<br>V10093305          | 1   | EA  |   |
| 13   | M0220417   | SCREW-TC                               | 1   | EA  |   |
| 14   | F2096549   | SERPENTINE-DRAIN 12131801              | 1   | EA  |   |
| 15   | PA970012   | SINGLE WATER VALVE                     | 1   | EA  |   |
| NI   | G50911842  | WATER VALVE/BACKET SVC<br>KIT          | 1   | EA  |   |
| Not Shown  | NOTE       | (Units mfg. from 3/12/04 -<br>1/26/05) |     | EA  |   |
| 16   | PB020305   | TUBING PLASTIC - IM<br>WATERLINE BM    | 1   | EA  |   |
| 17   | 12071201   | CLIP-DRAIN LOOP                        | 1   | EA  |   |
| 18   | K2096427   | BRKT-SHIPPING 12071102                 | 1   | EA  |   |





| Item | Part No. | Name                        | Qty | Uom | NOTES   |
|------|----------|-----------------------------|-----|-----|---|
| 19   | 12150601 | FOOT-LEVELING V12150601     | 1   | EA  |   |
| 20   | 12071301 | PAN, DRAIN                  | 1   | EA  |   |
| 21   | K2096585 | RAIL, RH PAN - NLA          | 1   | EA  |   |
| 22   | K2096586 | RAIL-LH PAN 12143902 - NLA  | 1   | EA  |   |
| 23   | K2096439 | ANGLE-DRAIN PAN 12143801    | 1   | EA  |   |
| 24   | A4539601 | DAMPER-TUBING .8            | 1   | EA  | Not available online / Call for pricing and availability                      |
| 25   | M0224416 | SCREW-SM                    | 1   | EA  |   |
| 26   | M0204723 | SCREW 8-32X1.5 HEX SL W MIS | 1   | EA  |   |
| 27   | M0280801 | NUT-HEX VM0280801           | 1   | EA  | Not available online / Call for pricing and availability                      |
| 28   | K2096473 | BRKT-DC FAN 12349201        | 1   | EA  |   |
| 29   | K2096420 | BRACKET, ROLLER             | 1   | EA  | Not available online / Call for pricing and availability                      |
| 30   | M0286708 | NUT-SPEED                   | 1   | EA  |   |
| 31   | 12034201 | ROLLER-CABINET              | 1   | EA  |   |
| 32   | M1252901 | CLEVIS GROOVED              | 1   | EA  |   |
| 33   | M0273801 | RING-RETAINING              | 1   | EA  |   |
| 34   | C8971903 | TUNNEL-HT EX                | 1   | EA  |   |
| 35   | M5096622 | TUNNEL-CUT WIRE 12114601    | 1   | EA  | NO LONGER AVAILABLE, Not available online / Call for pricing and availability |
| 36   | A3187703 | TUNNEL-AIR #                | 1   | EA  | NO LONGER AVAILABLE, Not available online / Call for pricing and availability |
| 37   | M0211018 | SCREW-SM                    | 1   | EA  |   |
| 38   | 12115101 | CLAMP-TUBE V12115101        | 1   | EA  |   |
| 39   | M0238616 | SCREW, SMALL                | 1   | EA  |   |
| 40   | K2096444 | COVER-HT EXCHANGE 12187701  | 1   | EA  |   |
| 41   | 10377015 | OVERLOAD-4TM V10377015      | 1   | EA  |   |





| Item      | Part No.   | Name                              | Qty | Uom | NOTES  |
|-----------|------------|-----------------------------------|-----|-----|--|
| 42        | 10097202   | RELAY-PTC V10097202               | 1   | EA  |  |
| 43        | 009216-000 | FILL TUBE BM                      | 1   | EA  |  |
| 44        | PB970188   | INSULATION TUBING 45.000 5 SERIES | 1   | EA  |  |
| 45        | A3189370   | GASKET-FOAM VA3189370             | 1   | EA  |  |
| 46        | A4539601   | DAMPER-TUBING .8                  | 1   | EA  | Not available online / Call for pricing and availability |
| 47        | M0102303   | Clamp, Tube                       | 1   | EA  |  |
| 48        | M0102804   | CLAMP-TUBE VM0102804              | 1   | EA  |  |
| Not Shown | A3223101   | INSERT-TUBE VA3223101             | 1   | EA  |  |
| 49        | M0322202   | TIE-WIRE                          | 1   | EA  |  |
| 50        | A4554806   | BUSHING-SNAP VA4554806            | 1   | EA  |  |
| 51        | 12405601   | HARNESS-CABINET V12405601         | 1   | EA  | NO LONGER AVAILABLE                                      |
| Not Shown | 12405602   | HARNESS-CABINET V12405602         | 1   | EA  | NO LONGER AVAILABLE                                      |
| 52        | 10916507   | CORD-POWER 5 SERIES               | 1   | EA  |  |
| 53        | M0104102   | CLIP-CORD RED                     | 1   | EA  |  |
| 54        | M0211018   | SCREW-SM                          | 1   | EA  |  |
| 55        | M0104106   | CLIP-CORD VM0104106               | 1   | EA  |  |
| 56        | M0104102   | CLIP-CORD RED                     | 1   | EA  |  |
| 57        | A3076901   | PLUG-BUTTON VA3076901             | 1   | EA  | Not available online / Call for pricing and availability |
| 58        | M0753001   | NUT-SLEEVE                        | 1   | EA  |  |
| 59        | A1055101   | SPRING-ANTI KINK                  | 1   | EA  | NO LONGER AVAILABLE                                      |
| 60        | M0102303   | Clamp, Tube                       | 1   | EA  |  |

SHELVING

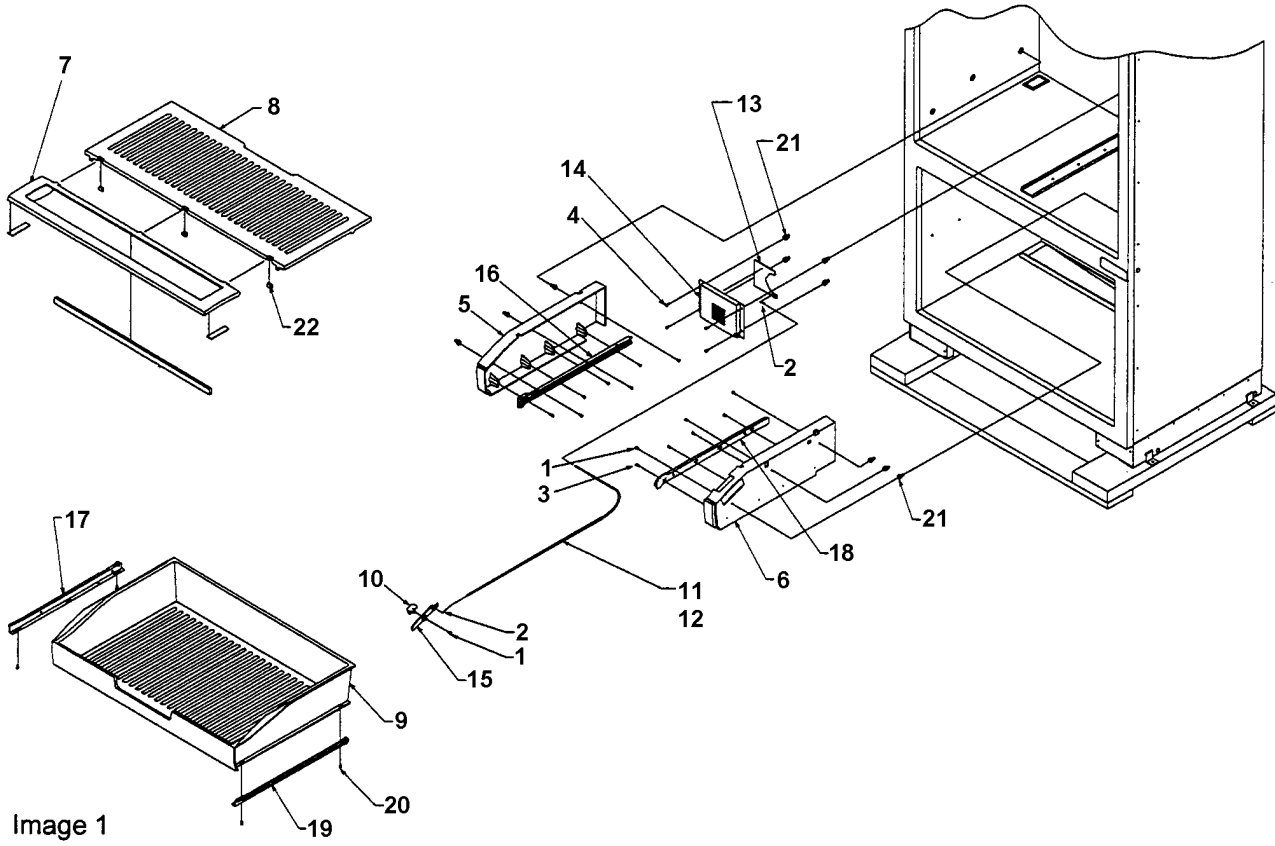
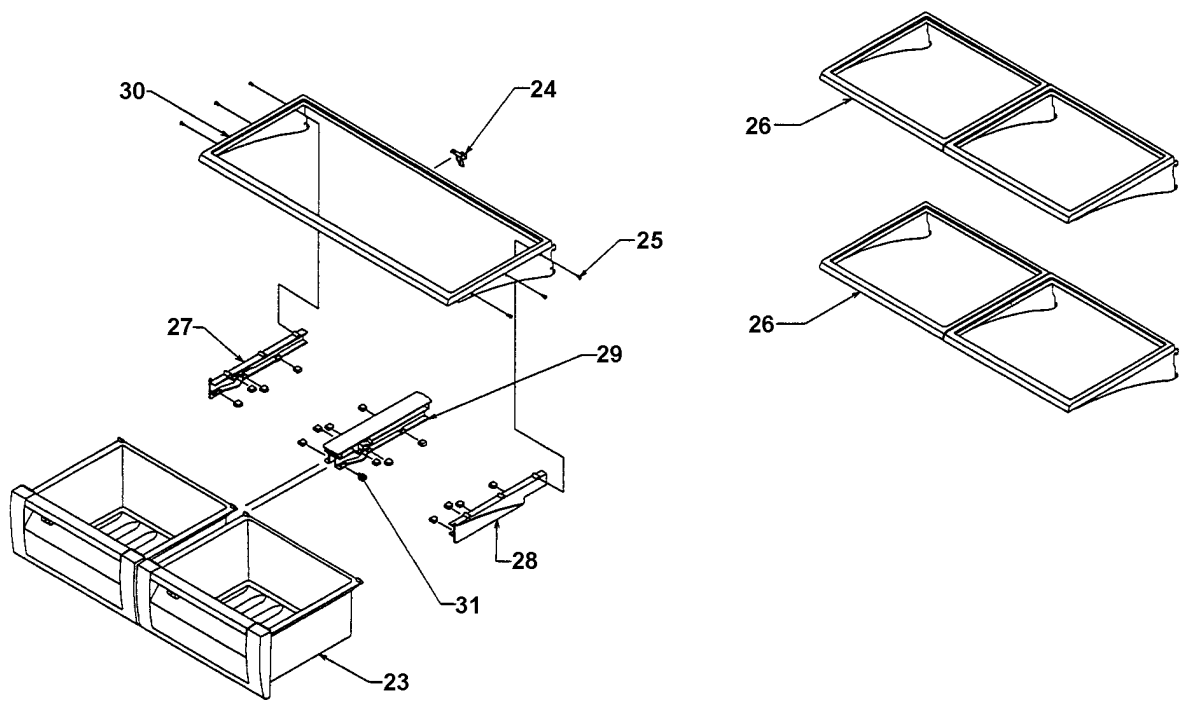


Image 1

Image 2



| Item | Part No.  | Name                             | Qty | Uom             | NOTES               |
|------|-----------|----------------------------------|-----|-----------------|---------------------|
| 1    | M0211018  | SCREW-SM                         | 1   | EA              |                     |
| 2    | M0213105  | SCREW-SM                         | 1   | EA              |                     |
| 3    | M0215318  | SCREW-SM                         | 1   | EA              |                     |
| 4    | M0238616  | SCREW, SMALL                     | 1   | EA              |                     |
| 5    | V12202601 | SUPPORT-L DRAWER # - NLA         | 1   | Wholesale Price | NO LONGER AVAILABLE |
| 6    | V12073003 | SUPPORT-R DRAWER #               | 1   | Wholesale Price |                     |
| 7    | V12223207 | DELI LID ASSY 36 BM              | 1   | Wholesale Price |                     |
| 8    | 12223303  | DELI TOP ASSY                    | 1   | EA              |                     |
| 9    | V12073303 | DRAWER-DELI 36" BM               | 1   | Wholesale Price |                     |
| 10   | V12073401 | KNOB-DELI CONT                   | 1   | Wholesale Price |                     |
| 11   | 12073501  | TUBE-PLASTIC                     | 1   | EA              |                     |
| 12   | 12073505  | TUBE-PLASTIC                     | 1   | EA              |                     |
| 13   | V12073601 | SLIDE-DELI CONT                  | 1   | EA              | NO LONGER AVAILABLE |
| 14   | V12073701 | COVER-DELI CONT                  | 1   | Wholesale Price | NO LONGER AVAILABLE |
| 15   | V12070501 | GLIDE-DELI KNOB #                | 1   | EA              | NO LONGER AVAILABLE |
| 16   | 12073901  | GLIDE-L SUPPORT V12073901        | 1   | EA              |                     |
| 17   | 12073902  | GLIDE-L DRAWER V12073902         | 1   | EA              |                     |
| 18   | 12073903  | GLIDE-R SUPPORT V12073903        | 1   | EA              |                     |
| 19   | 12073904  | GLIDE-R DRAWER V12073904         | 1   | EA              |                     |
| 20   | M0224128  | SCREW-SM                         | 1   | EA              |                     |
| 21   | M0581001  | GROMMET-SCREW VM0581001          | 1   | EA              |                     |
| 22   | 12486202  | CLIP-DELI TOP 36" REPL V12486201 | 1   | EA              |                     |
| 23   | V12056902 | CRISPER PAN ASSY 36" BM          | 1   | Wholesale Price |                     |
| 24   | 12046701  | CRISPER RAIL WELD                | 1   | EA              |                     |
| 25   | M0220417  | SCREW-TC                         | 1   | EA              |                     |
| 26   | PM910351  | SHELF ASM GLASS BM 36 FF         | 1   | EA              |                     |

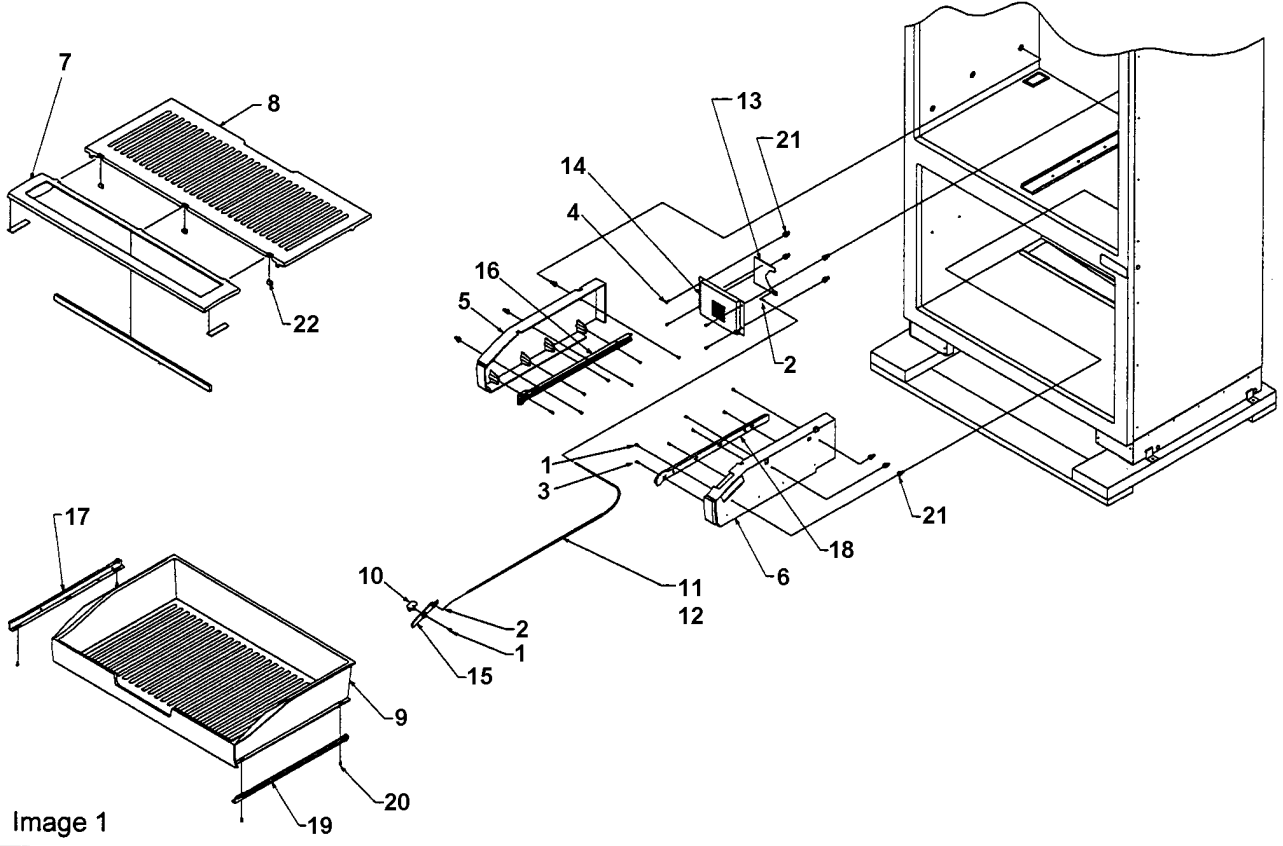
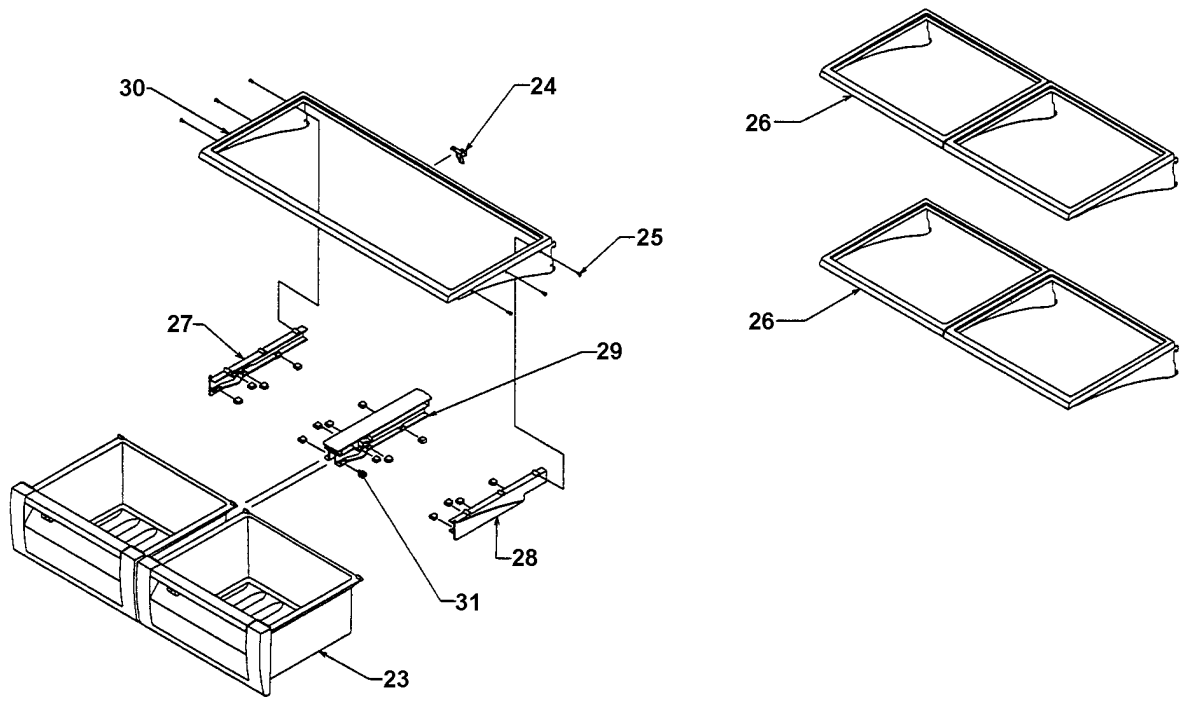


Image 1

Image 2





| Item | Part No.   | Name                        | Qty | Uom             | NOTES |
|------|------------|-----------------------------|-----|-----------------|-------|
| 27   | 12064501   | GLIDE-LEFT CRISPER          | 1   | EA              |       |
| 28   | 12064502   | GLIDE-RIGHT CRISPER         | 1   | EA              |       |
| 29   | V12064601  | GLIDE-CTR CRISPER #         | 1   | Wholesale Price |       |
| 30   | 043203-000 | SHELF ASM GLASS 36 AR 36 BM | 1   | EA              |       |
| 31   | 12064701   | PAD-GLIDE V12064701         | 1   | EA              |       |

TOP HINGES

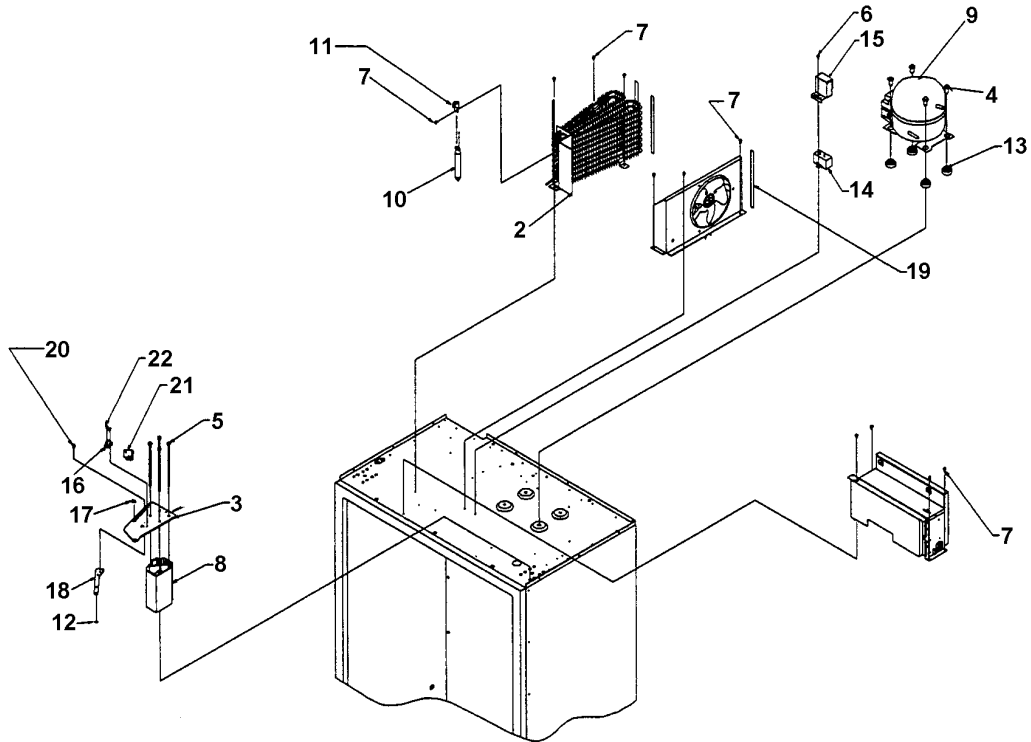
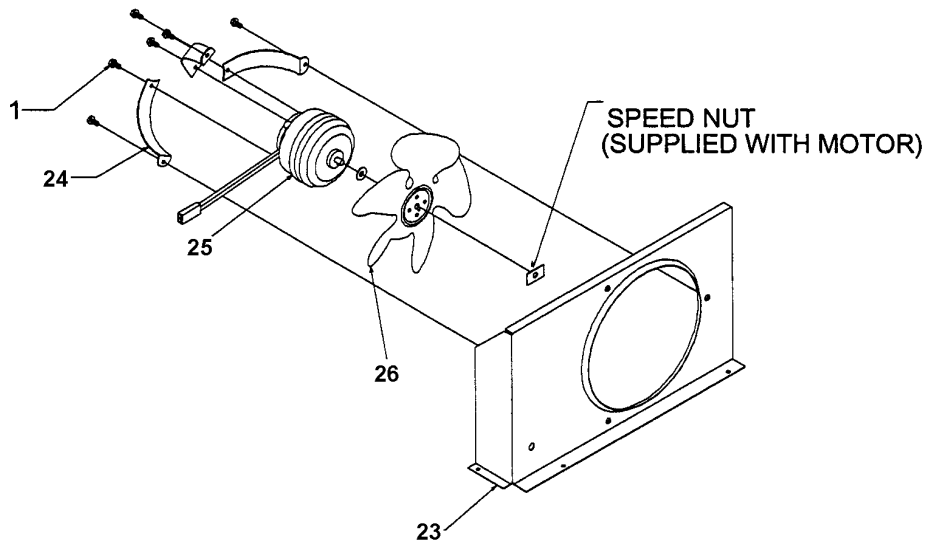


Image 1

Image 2







| Item   | Part No.   | Name                          | Qty | Uom | NOTES   |
|--|------------|-------------------------------|-----|-----|---|
| 1  | M0223816   | SCREW-TR                      | 1   | EA  | NO LONGER AVAILABLE   |
| 2  | PB920171   | CONDENSER ASM                 | 1   | EA  |   |
| 3  | PC920065   | TOP HINGE ASSY(VCBB362LSS)    | 1   | EA  | NO LONGER AVAILABLE   |
| Comments for Part Num. PC920065                        |            |                               |     |     |   |
| gboltz@VikingRange.com on Aug 16, 2017                 |            |                               |     |     |   |
| SEE ISR-0066A-SP AND ISR-0067A-SP, recall instructions |            |                               |     |     |   |
| 3  | PC920064   | RIGHT TOP HINGE ASSEMBLY      | 1   | EA  | NO LONGER AVAILABLE   |
| 4  | M0221523   | SCREW - SHLDR                 | 1   | EA  |   |
| 5  | M0206313   | SCREW-MACH                    | 1   | EA  |   |
| 6  | M0238921   | SCREW-SM                      | 1   | EA  | NO LONGER AVAILABLE   |
| 7  | M0238616   | SCREW, SMALL                  | 1   | EA  |   |
| 8  | 12067901   | EXTRSN-TOP HINGE V12067901    | 1   | EA  |   |
| 9  | G5096341   | COMPRESSOR ASSY (VCBB360/362) | 1   | EA  |   |
| 10   | PM010616   | DRIER - HIGH SIDE             | 1   | EA  |   |
| 11   | 10547001   | CLIP-DRIER V10547001          | 1   | EA  |   |
| 12   | 40370P01   | NYLON FLAT WASHER V40370P01   | 1   | EA  |   |
| 13   | 10835901   | GROMMET RUBBER V10835901      | 1   | EA  |   |
| 14   | C8931608   | CAPACITOR                     | 1   | EA  |   |
| 15   | 10266402   | SHIELD-CAPACITOR GRN          | 1   | EA  | NO LONGER AVAILABLE, Not available online / Call for pricing and availability |
| 16   | G50911866  | LIGHT CUT OFF SERVICE KIT     | 1   | EA  |   |
| 16   | 003471-000 | SWITCH SNAP-ACTION BM 36      | 1   | EA  |   |
| 17   | 12348701   | BUMPER-DOOR STOP V12348701    | 1   | EA  |   |
| 18   | PC920068   | ARM DOOR STOP LH              | 1   | EA  |   |
| 18   | PC920066   | ARM, DOOR STOP, RH            | 1   | EA  |   |
| 19   | A3189370   | GASKET-FOAM VA3189370         | 1   | EA  |   |

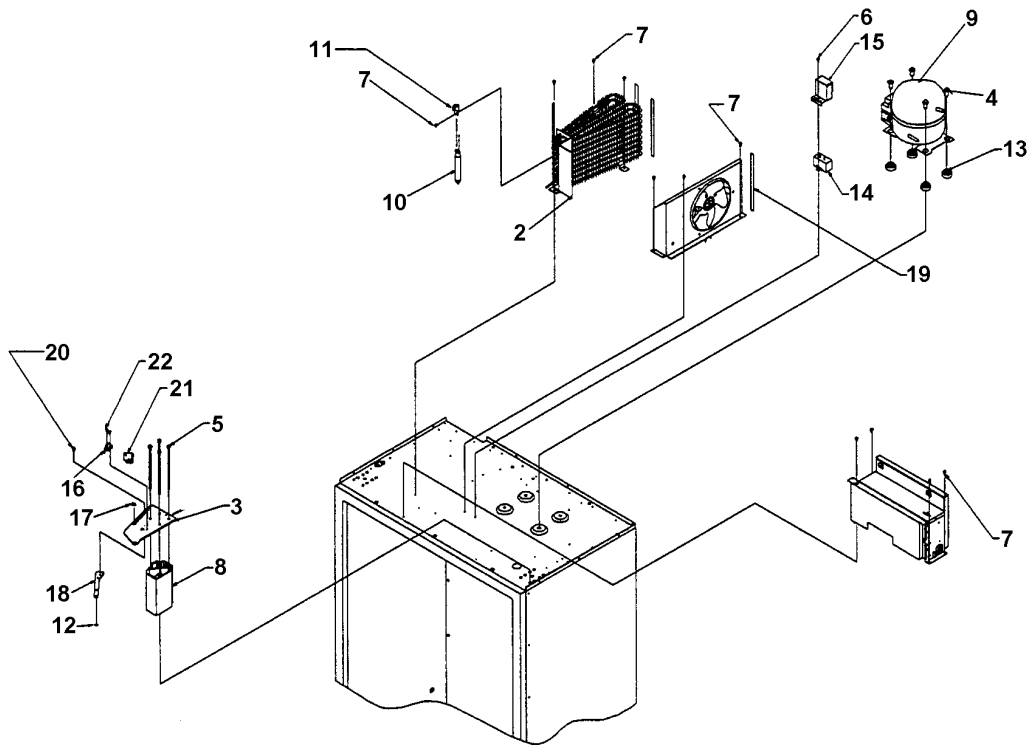
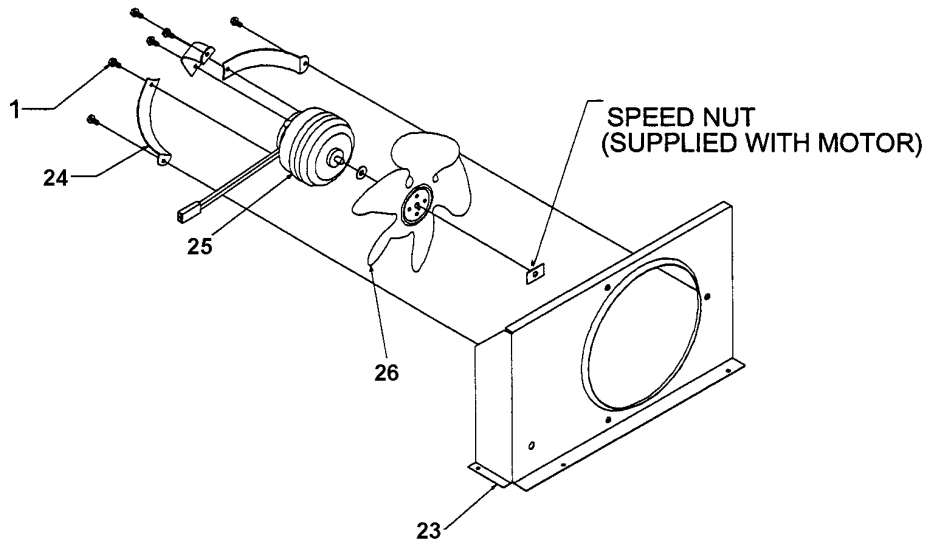


Image 1

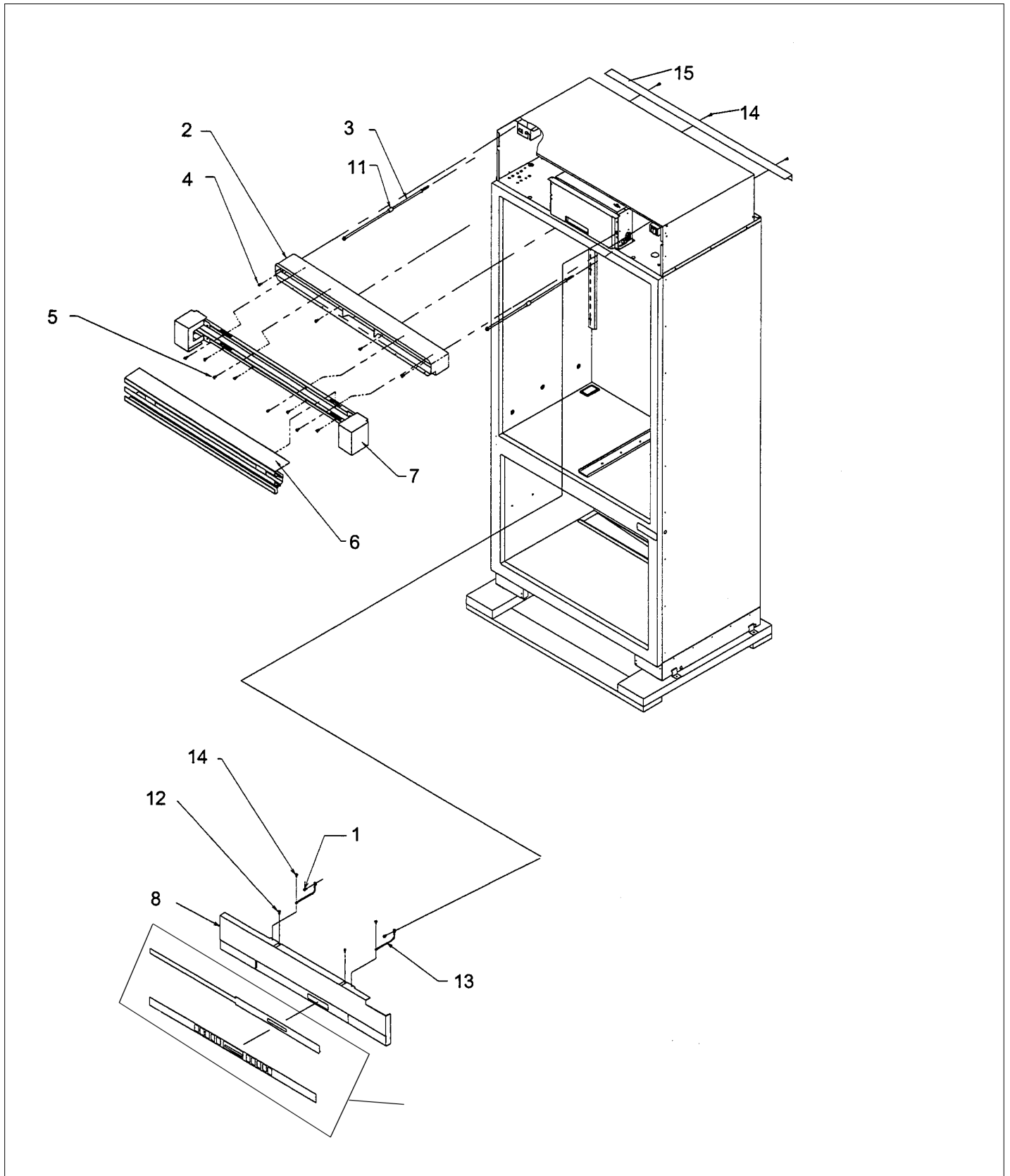
Image 2





| Item | Part No. | Name                    | Qty | Uom | NOTES   |
|------|----------|-------------------------|-----|-----|---|
| 20   | M0220942 | SCREW-SHLDR             | 1   | EA  |   |
| 21   | 12140701 | COVER-SWITCH V12140701  | 1   | EA  |   |
| 22   | M0234005 | SCREW-TF                | 1   | EA  |   |
| 23   | K2196428 | SHROUD, CONDENSER FAN   | 1   | EA  | Not available<br>online / Call for<br>pricing and<br>availability |
| 24   | 10582501 | BRKT-COND MTR V10582501 | 1   | EA  |   |
| 25   | 10522103 | MOTOR-PSC V10522103     | 1   | EA  |   |
| 26   | B5742603 | BLADE-FAN               | 1   | EA  |   |
| NI   | G5096494 | COND. FAN ASSY          | 1   | EA  |   |

UPPER GRILLE





| Item | Part No.   | Name                                   | Qty | Uom                | NOTES   |
|------|------------|--|-----|--------------------|---|
| 1    | M0238846   | SCREW-SHLDR                            |     | EA                 |   |
| 2    | G9096592BK | AIR DUCT WELD ASSY                     |     | EA                 |   |
| 3    | M0223603   | SCREW-LAG                              |     | EA                 |   |
| 4    | M0238616   | SCREW, SMALL                           |     | EA                 |   |
| 5    | M0211021   | SCREW-SM                               |     | EA                 |   |
| 6    | G3296944   | GRILLE ASSY 36 PRO BM LH R<br>G3296626 |     | EA                 |   |
| 6    | G32913045  | GRILLE ASM BM 36 DES R                 |     | EA                 |   |
| 7    | G3296624   | SUB TO G3296944 - GRILLE<br>ASSY L     |     | EA                 | NO LONGER<br>AVAILABLE, Not<br>available online /<br>Call for pricing<br>and availability |
| 7    | G3296625   | SUB TO G3296945 - GRILLE<br>ASSY R     |     | EA                 | NO LONGER<br>AVAILABLE, Not<br>available online /<br>Call for pricing<br>and availability |
| 8    | V10942001  | COVER-CONT PANEL RH                    |     | Wholesale<br>Price |   |
| 8    | PK030459   | PANEL CONTROL AR 36 L                  |     | EA                 |   |
| 9    | PE950174   | OVERLAY SWITCH BTM 36                  |     | EA                 |   |
| 11   | 12349301   | BEARING-SLEEVE<br>V12349301            |     | EA                 |   |
| 12   | M0224128   | SCREW-SM                               |     | EA                 |   |
| 13   | 12064001   | SUPP-CONT PANEL                        |     | EA                 |   |
| 14   | A4539601   | DAMPER-TUBING .8                       |     | EA                 | Not available<br>online / Call for<br>pricing and<br>availability                         |
| 15   | K2096588   | SHIELD POWER CORD<br>12180502          |     | EA                 | NO LONGER<br>AVAILABLE  |



Appendix A:Pages Index

CONTROL ASSY ..... 1  
DOOR ASSY ..... 2  
DRAWER ..... 3  
EVAPORATOR AREA ..... 4  
LADDERS ..... 5  
ROLLER ASSY ..... 6  
SHELVING ..... 7  
TOP HINGES ..... 8  
UPPER GRILLE ..... 9



## Appendix B:Parts Index

|            |      |          |   |
|------------|------|----------|---|
|            |      | 12061701 | 4 |
| 000268-000 | 2    | 12063301 | 4 |
| 001904-000 | 2    | 12064001 | 9 |
| 001905-000 | 2    | 12064501 | 7 |
| 002670-000 | 1    | 12064502 | 7 |
| 003471-000 | 8    | 12064701 | 7 |
| 004528-000 | 5    | 12067201 | 4 |
| 004551-000 | 5, 6 | 12067301 | 4 |
| 005319-000 | 1    | 12067401 | 5 |
| 005795-000 | 3    | 12067603 | 4 |
| 009216-000 | 6    | 12067901 | 8 |
| 013112-000 | 5    | 12068402 | 3 |
| 016774-000 | 4    | 12070201 | 5 |
| 019244-000 | 3    | 12070202 | 5 |
| 023005-000 | 3    | 12071201 | 6 |
| 023112-000 | 3    | 12071301 | 6 |
| 031006-000 | 4    | 12071501 | 5 |
| 043203-000 | 7    | 12071601 | 5 |
| 058966-000 | 4    | 12071701 | 5 |
| 10093305   | 6    | 12072001 | 5 |
| 10097202   | 6    | 12072801 | 5 |
| 10266402   | 8    | 12073501 | 7 |
| 10377015   | 6    | 12073505 | 7 |
| 10428101   | 4    | 12073901 | 7 |
| 10428409   | 4    | 12073902 | 7 |
| 10522103   | 8    | 12073903 | 7 |
| 10526701   | 3    | 12073904 | 7 |
| 10544502   | 1    | 12074401 | 5 |
| 10547001   | 8    | 12074501 | 5 |
| 10582501   | 8    | 12074601 | 5 |
| 10654207   | 4    | 12074701 | 5 |
| 10656001   | 4    | 12074702 | 5 |
| 10656101   | 4    | 12074703 | 1 |
| 10835901   | 8    | 12088001 | 3 |
| 10916507   | 6    | 12090301 | 5 |
| 12034002   | 6    | 12096901 | 5 |
| 12034201   | 6    | 12102401 | 4 |
| 12034401   | 6    | 12115101 | 6 |
| 12046701   | 7    | 12118901 | 5 |
| 12055401   | 2    | 12131902 | 3 |
| 12059901   | 4    | 12135402 | 5 |



|            |            |            |   |
|------------|------------|------------|---|
| 12140701   | 8          | C9096933BT | 2 |
| 12150601   | 6          | C9096933BU | 2 |
| 12223303   | 7          | C9096933CB | 2 |
| 12234601   | 3          | C9096933EP | 2 |
| 12348701   | 8          | C9096933FG | 2 |
| 12349301   | 9          | C9096933GG | 2 |
| 12401402   | 4          | C9096933LE | 2 |
| 12404901   | 5          | C9096933MJ | 2 |
| 12405601   | 6          | C9096933SG | 2 |
| 12405602   | 6          | C9096933VB | 2 |
| 12406001   | 5          | C9096934AL | 2 |
| 12486202   | 7          | C9096934BK | 2 |
| 12493702   | 2          | C9096934BT | 2 |
| 12493704   | 2          | C9096934BU | 2 |
| 12505401   | 3          | C9096934CB | 2 |
| 40370P01   | 3, 8       | C9096934EP | 2 |
| A1017202   | 4          | C9096934FG | 2 |
| A1055101   | 6          | C9096934GG | 2 |
| A3030335   | 4          | C9096934LE | 2 |
| A3076901   | 6          | C9096934MJ | 2 |
| A3187703   | 6          | C9096934SG | 2 |
| A3189348   | 4          | C9096934VB | 2 |
| A3189370   | 4, 6, 8    | C9096935AL | 2 |
| A3223101   | 6          | C9096935BK | 2 |
| A4539601   | 1, 6, 6, 9 | C9096935BT | 2 |
| A4554806   | 6          | C9096935BU | 2 |
| A4554817   | 1          | C9096935CB | 2 |
| B2096406   | 5          | C9096935EP | 2 |
| B2096933   | 2          | C9096935FG | 2 |
| B2096934   | 2          | C9096935GG | 2 |
| B2096935   | 2          | C9096935LE | 2 |
| B5720304   | 3          | C9096935MJ | 2 |
| B5742603   | 8          | C9096935SG | 2 |
| B8381501   | 6          | C9096935VB | 2 |
| C8931608   | 8          | C9396406BR | 5 |
| C8971903   | 6          | F2096549   | 6 |
| C8983701   | 4, 5       | G3096601   | 5 |
| C9096578WH | 4          | G32913045  | 9 |
| C9096579BK | 3          | G3296543   | 2 |
| C9096933AL | 2          | G3296624   | 9 |
| C9096933BK | 2          | G3296625   | 9 |





|            |      |          |                     |
|------------|------|----------|---------------------|
| G3296944   | 9    | M0102804 | 6                   |
| G50911809  | 3    | M0104102 | 6, 6                |
| G50911810  | 3    | M0104106 | 1, 6                |
| G50911842  | 6    | M0108201 | 5                   |
| G50911858  | 3    | M0202528 | 2, 3                |
| G50911866  | 8    | M0204303 | 2                   |
| G5096341   | 8    | M0204339 | 6                   |
| G5096494   | 8    | M0204723 | 6                   |
| G5096541   | 2    | M0206313 | 8                   |
| G5096546   | 4    | M0210443 | 3                   |
| G5096548   | 3    | M0210458 | 2, 2                |
| G5096594   | 3    | M0211014 | 4                   |
| G5096595   | 3    | M0211018 | 3, 4, 5, 6, 6, 7    |
| G5096596   | 6    | M0211019 | 5                   |
| G5096604   | 3    | M0211021 | 9                   |
| G9096592BK | 9    | M0213105 | 4, 7                |
| K10911852  | 3    | M0215318 | 7                   |
| K2096420   | 6    | M0218137 | 5                   |
| K2096427   | 6    | M0220417 | 5, 6, 7             |
| K2096429   | 1    | M0220928 | 3                   |
| K2096430   | 1    | M0220942 | 8                   |
| K2096431   | 1    | M0221523 | 8                   |
| K2096439   | 6    | M0223603 | 9                   |
| K2096444   | 6    | M0223816 | 1, 8                |
| K2096473   | 6    | M0224128 | 7, 9                |
| K2096475   | 5    | M0224416 | 3, 4, 4, 6          |
| K2096575   | 4    | M0226233 | 3                   |
| K2096576   | 4    | M0232903 | 4, 5                |
| K2096577   | 4    | M0232929 | 4                   |
| K2096585   | 6    | M0234005 | 5, 8                |
| K2096586   | 6    | M0238616 | 1, 4, 5, 6, 7, 8, 9 |
| K2096588   | 9    | M0238846 | 5, 9                |
| K2096589   | 4    | M0238921 | 8                   |
| K2097709   | 1    | M0253543 | 4                   |
| K2196428   | 8    | M0267153 | 6                   |
| L2096422   | 5    | M0272803 | 3                   |
| L2096581   | 5    | M0273301 | 6                   |
| L2096933WH | 2    | M0273801 | 6                   |
| L2096934WH | 2    | M0280801 | 6                   |
| L2096935WH | 2    | M0286708 | 6                   |
| M0102303   | 6, 6 | M0288120 | 1                   |



|             |         |            |            |
|-------------|---------|------------|------------|
| M0295308    | 6       | PE970464   | 1          |
| M0321202    | 3       | PE970465   | 1          |
| M0322202    | 4, 6    | PK030459   | 9          |
| M0581001    | 4, 5, 7 | PK930042   | 3          |
| M0585504    | 1       | PK930253   | 5          |
| M0585506    | 1       | PM010616   | 8          |
| M0753001    | 6       | PM910178   | 4          |
| M1200004    | 6       | PM910351   | 7          |
| M1200203    | 6       | V10519806V | 3          |
| M1252901    | 6       | V10921220  | 2          |
| M5096622    | 6       | V10921223  | 2          |
| M6096628    | 3       | V10942001  | 9          |
| PA970012    | 6       | V12039701  | 2          |
| PB020305    | 6       | V12056902  | 7          |
| PB920171    | 8       | V12064601  | 7          |
| PB970188    | 6       | V12070501  | 7          |
| PC020231    | 3       | V12073003  | 7          |
| PC020250    | 3       | V12073303  | 7          |
| PC920041    | 3       | V12073401  | 7          |
| PC920050    | 3       | V12073601  | 7          |
| PC920052    | 3       | V12073701  | 7          |
| PC920064    | 8       | V12089103  | 4          |
| PC920065    | 8       | V12097404  | 2, 2, 2, 2 |
| PC920066    | 8       | V12202601  | 7          |
| PC920068    | 8       | V12223207  | 7          |
| PD020013    | 1       |            |            |
| PD020189    | 3       |            |            |
| PD030155    | 3       |            |            |
| PD920174    | 3       |            |            |
| PE010030    | 2       |            |            |
| PE010031    | 2       |            |            |
| PE010068    | 2       |            |            |
| PE010076    | 2       |            |            |
| PE030001PVD | 2       |            |            |
| PE030040    | 2       |            |            |
| PE030044PVD | 2       |            |            |
| PE030173    | 2       |            |            |
| PE070728    | 1       |            |            |
| PE930093PVD | 2       |            |            |
| PE950149    | 5       |            |            |
| PE950174    | 9       |            |            |