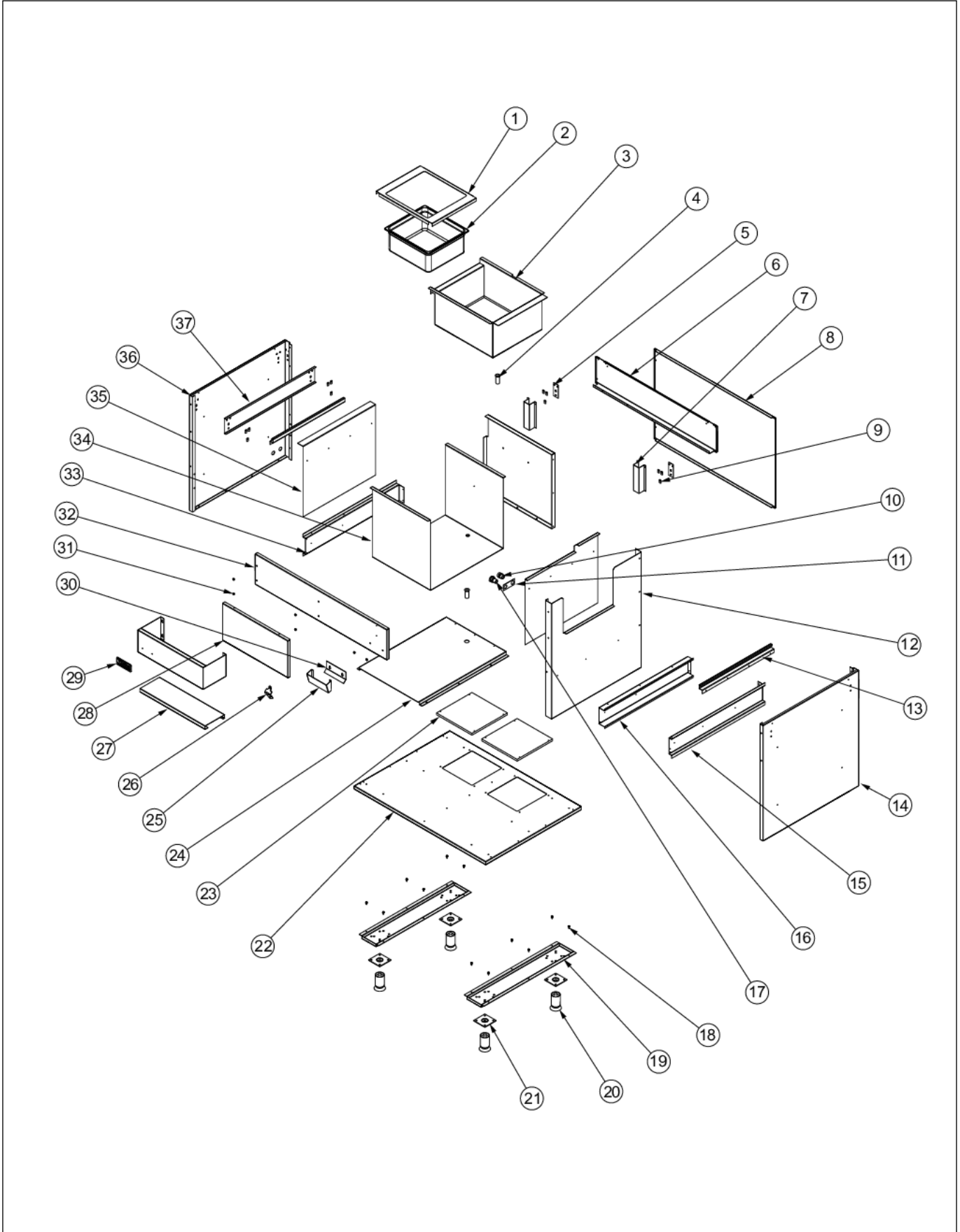


**VBRC411**

CABINET BASE .....	1
CONDIMENT DRAWER .....	2
TOP FRAME ASSEMBLY .....	3
TOP RAIL ASSEMBLY .....	4
TRASH DRAWER .....	5
Appendix A:Pages Index .....	A
Appendix B:Parts Index .....	B

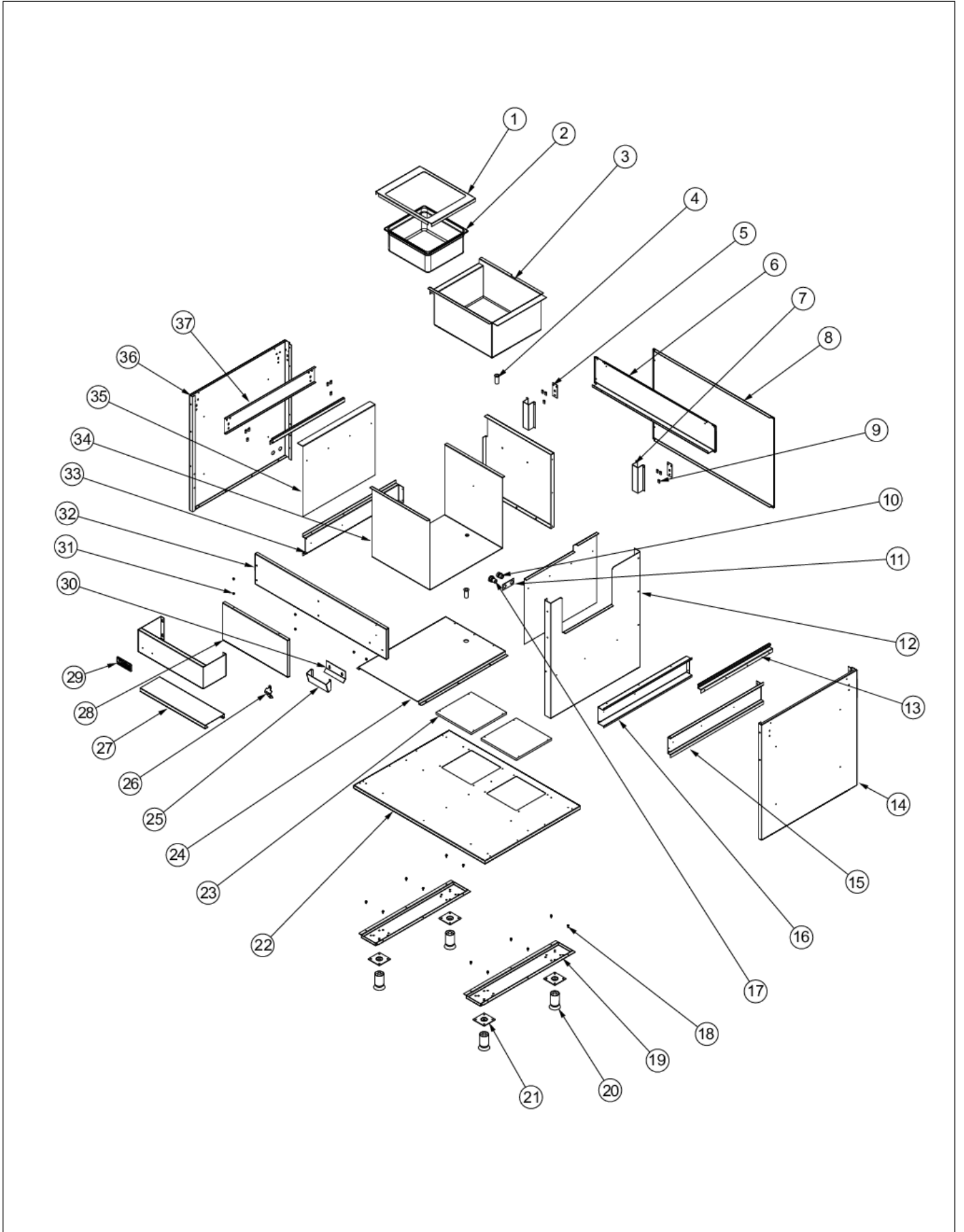


CABINET BASE





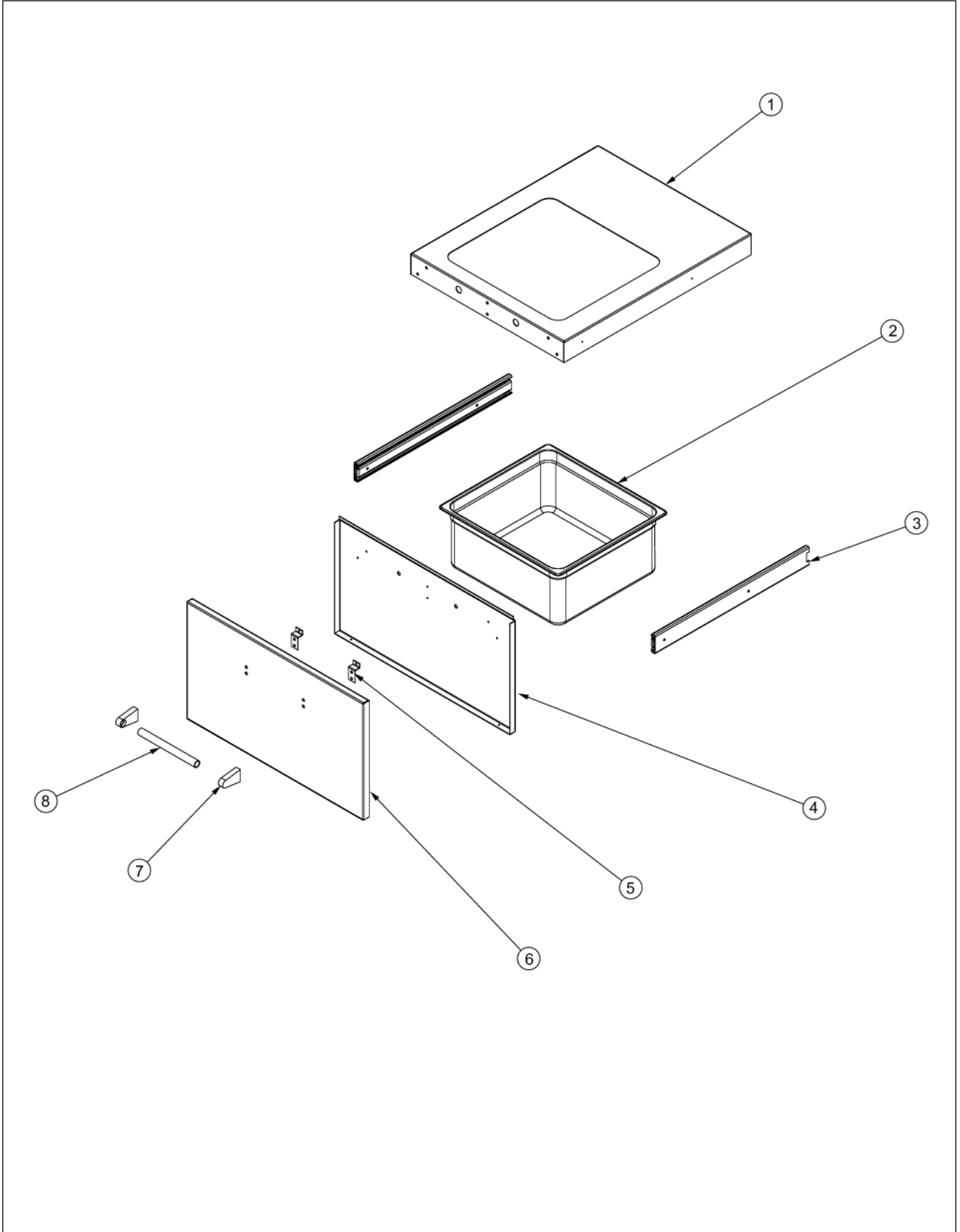
Item	Part No.	Name	Qty	Uom	NOTES
1	019874-000	SLIDE PANEL	1	EA	
2	019838-000	CONDIMENT BIN (2/3 SIZE)	1	EA	
3	020285-000	SINK, 41"	1	EA	
4	019675-000	DRAIN, SINK (1/2 NPS X 2")	2	EA	
5	019865-000	HINGE REINFORCEMENT PLATE	2	EA	
6	019858-000	BRACKET, HI RISER, TUBE GUIDE	1	EA	
7	019858-000	BRACKET, HI RISER, TUBE GUIDE	2	EA	
8	019859-000	BACK PANEL, BOTTOM	1	EA	
9	020007-000	WELD NUT, 1/4*20	12	EA	Not available online / Call for pricing and availability
10	019821-000	WATER, OUTLET, CONNECTOR	1	EA	Not available online / Call for pricing and availability
11	019867-000	BRACKET, WATER, FITTING	1	EA	
12	019853-000	MIDDLE PANEL	1	EA	
13	020014-000	SLIDE CHANNEL	2	EA	
14	019852-000	SIDE PANEL, RH	1	EA	
15	019857-000	DRAWER, SLIDE SUP, RH	1	EA	
16	019860-000	DRAWER, SLIDE SUP MIDDLE	1	EA	
17	019820-000	WATER, INLET, CONNECTOR	1	EA	Not available online / Call for pricing and availability
18	PD020055	' #10 X 1/2" PAN PHIL. TEK.*SS*	12	EA	
19	019850-000	LEG CHANNEL	2	EA	Not available online / Call for pricing and availability
20	PC030017	4" LEG ASSY	4	EA	
21	PC030007	LEG PLATE - 3/4" THREADED HOLE	4	EA	
22	019849-000	CABINET BASE	1	EA	
23	020006-000	HOLE PLATE, STAR BOARD	2	EA	





Item	Part No.	Name	Qty	Uom	NOTES
24	019891-00	WASTE WATER, BOTTOM LINER	1	EA	Not available online / Call for pricing and availability
25	019887-000	CAP CATCH, FRONT	1	EA	
26	019681-000	BOTTLE OPENER, SS	1	EA	
27	019890-000	SPEED RAIL, BASE	1	EA	
28	019855-000	FRONT PANEL, FILLER LH	1	EA	
29	PE010016	LOGO (ALL RANGES) *BK/CHR 307997W	1	EA	
30	019888-000	CAP CATCH, REAR	1	EA	
31	019680-000	WELD, BUTTON 1/4 X 1/2"	6	EA	Not available online / Call for pricing and availability
32	019854-000	FRONT PANEL	1	EA	
33	019856-000	DRAWER, SLIDE SUP, LH	1	EA	
34	019871-000	BIG CONTAINER, FRONT	1	EA	
35	019872-000	BIG CONTAINER, LH	1	EA	
36	019851-000	SIDE PANEL, LH	1	EA	
37	019862-000	PANEL, REINFORCEMENT LH	1	EA	

CONDIMENT DRAWER

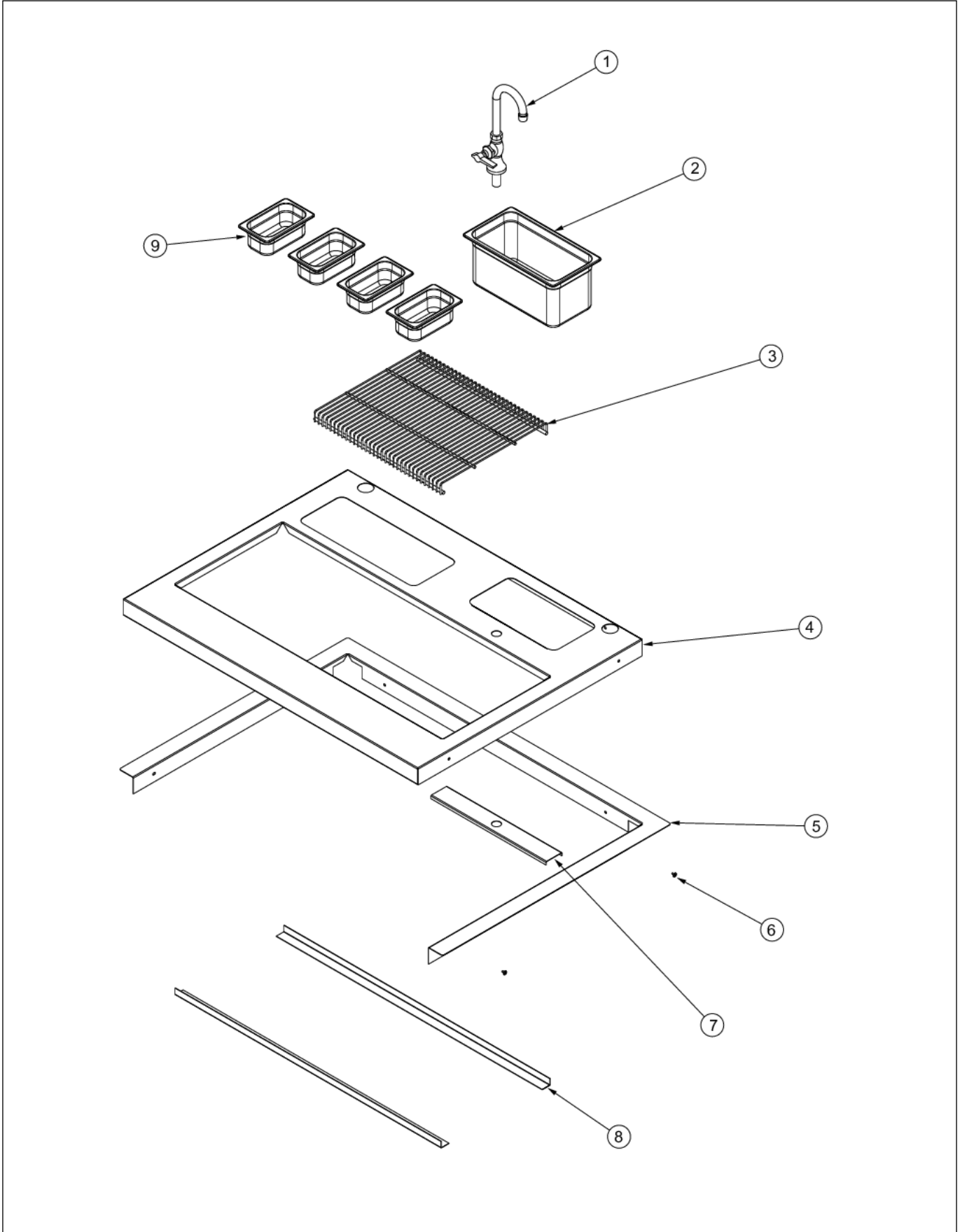






Item	Part No.	Name	Qty	Uom	NOTES
1	019884-000	CONDIMENT DRAWER, TRAY	1	EA	
2	01838-000	CONDIMENT BIN (2/3 SIZE)	1	EA	Not available online / Call for pricing and availability
3	020010-000	18" SLIDE, (SELF-CLOSE, PAIR)	2	EA	Not available online / Call for pricing and availability
4	019883-000	CONDIMENT DRAWER, LINER	1	EA	
5	019877-000	LINER, HANDLE, BRACKET	2	EA	
6	019882-000	CONDIMENT DRAWER, FRONT PANEL	1	EA	
7	PE030187	HANDLE END CAP *CHROME* OUTDOOR CABINET	2	EA	
8	019816-000	TUBE, HANDLE, DRAWER, 41"	1	EA	

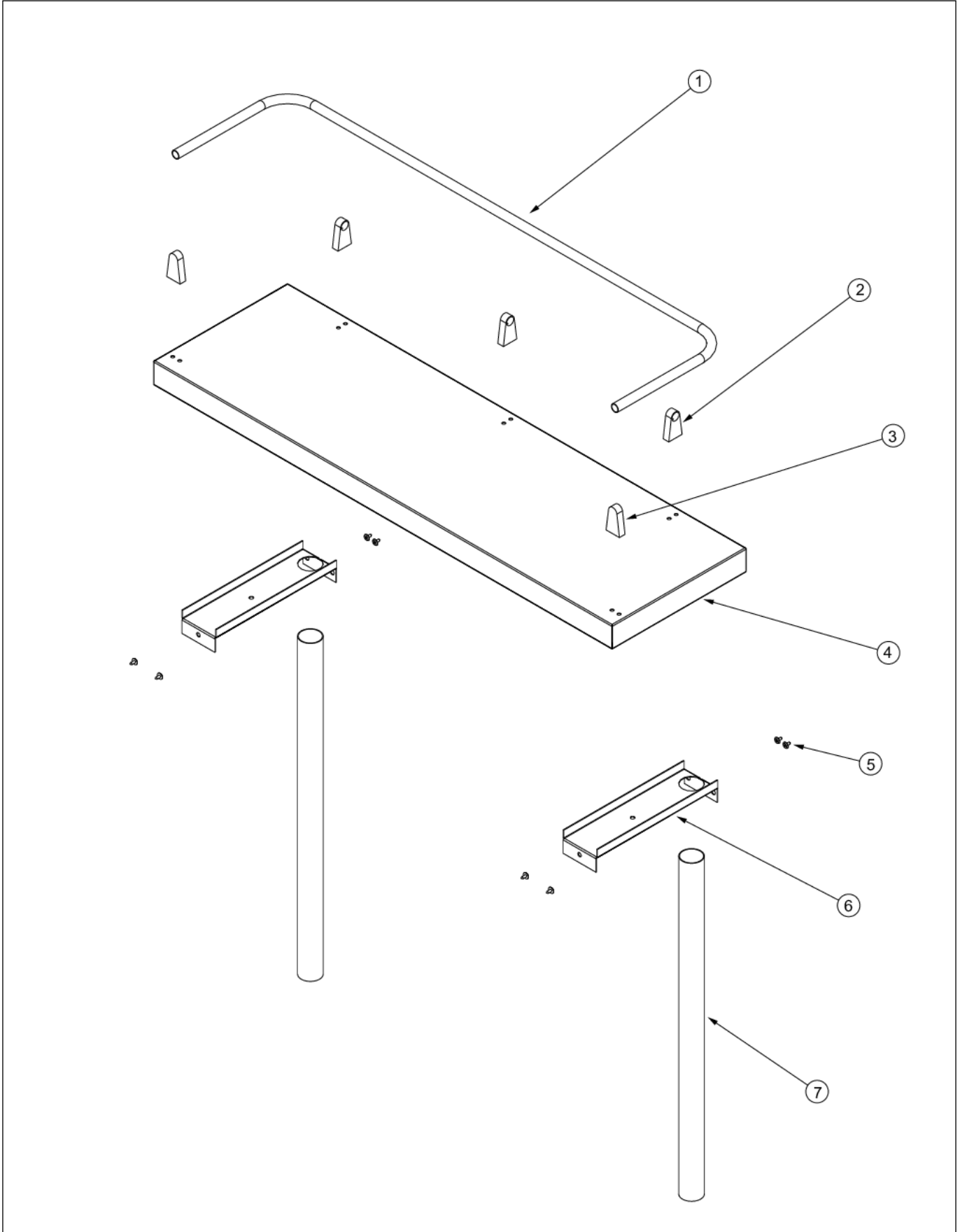
TOP FRAME ASSEMBLY





Item	Part No.	Name	Qty	Uom	NOTES
1	019711-000	FAUCET	1	EA	
2	019837-000	ADDITIONAL DRINK MIX BIN (1/3 SIZE)	1	EA	Not available online / Call for pricing and availability
3	019824-000	WIRE RACK, 41"	1	EA	
4	019894-000	FRAME, 41"	1	EA	
5	022521-000	TRIM, TOP 41"	1	EA	
6	PD020055	' #10 X 1/2" PAN PHIL. TEK.*SS*	2	EA	
7	019868-000	FAUCET REINFORCEMENT	1	EA	
8	019895-000	TOP FRAME, ANGLE	2	EA	
9	019682-000	CONDIMENT BIN (1/9 SIZE)	4	EA	

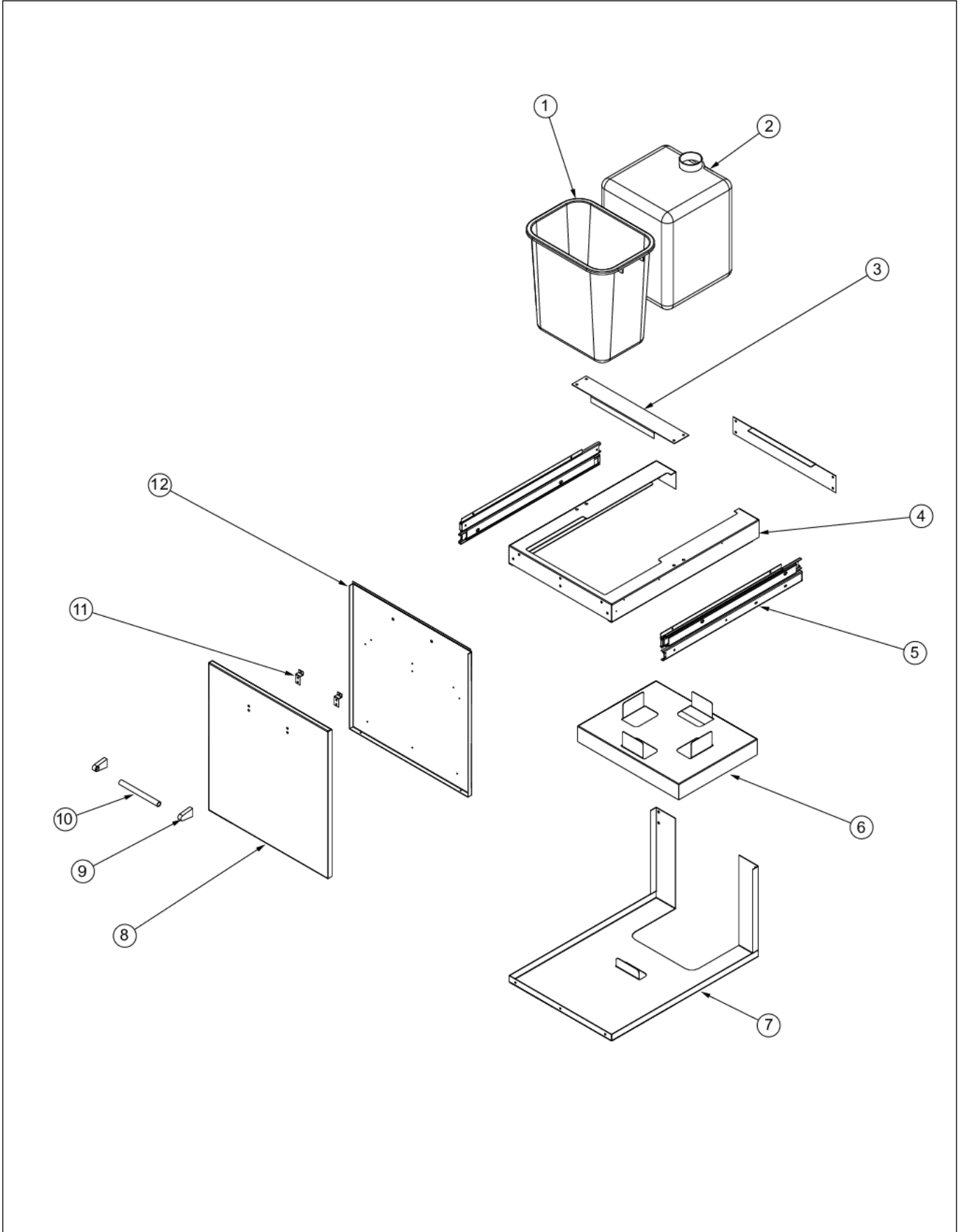
TOP RAIL ASSEMBLY





Item	Part No.	Name	Qty	Uom	NOTES
1	019817-000	TUBE, BENT, TOP SHELF, 41" (5/8 DIA)	1	EA	
2	PE030052	SUPPORT TUBE, HOLE THROUGH	3	EA	
3	PE030187	HANDLE END CAP *CHROME* OUTDOOR CABINET	2	EA	
4	019892-000	TOP SHELF, 41	1	EA	
5	PD020055	' #10 X 1/2" PAN PHIL. TEK.*SS*	8	EA	
6	019893-000	TOP SHELF, BRACKET	2	EA	
7	019818-000	TUBE, VERTICAL, TOP SHELF, 41" (1" DIA)	2	EA	

TRASH DRAWER





Item	Part No.	Name	Qty	Uom	NOTES
1	019822-000	TRASH CAN	1	EA	Not available online / Call for pricing and availability
2	019823-000	WATER CONTAINER	1	EA	
3	019881-000	TRASH DRAWER, REAR ANGLE	2	EA	Not available online / Call for pricing and availability
4	019878-000	TRASH DRAWER, TOP FRAME	1	EA	
5	019825-000	24" HD SLIDE, 150# PAIR	2	EA	
6	019880-000	WASTE WATER, PANEL	1	EA	
7	019879-000	TRASH DRAWER, BOTTOM FRAME	1	EA	
8	019875-000	TRASH DRAWER, FRONT PANEL	1	EA	
9	PE030187	HANDLE END CAP *CHROME* OUTDOOR CABINET	2	EA	
10	019816-000	TUBE, HANDLE, DRAWER, 41"	1	EA	
11	019877-000	LINER, HANDLE, BRACKET	2	EA	
12	019876-000	TRASH DRAWER, LINER	1	EA	



Appendix A:Pages Index

CABINET BASE .....	1
CONDIMENT DRAWER .....	2
TOP FRAME ASSEMBLY .....	3
TOP RAIL ASSEMBLY .....	4
TRASH DRAWER .....	5





Appendix B:Parts Index

01838-000	..... 2	019879-000	..... 5
019675-000	..... 1	019880-000	..... 5
019680-000	..... 1	019881-000	..... 5
019681-000	..... 1	019882-000	..... 2
019682-000	..... 3	019883-000	..... 2
019711-000	..... 3	019884-000	..... 2
019816-000	..... 2, 5	019887-000	..... 1
019817-000	..... 4	019888-000	..... 1
019818-000	..... 4	019890-000	..... 1
019820-000	..... 1	019891-00	..... 1
019821-000	..... 1	019892-000	..... 4
019822-000	..... 5	019893-000	..... 4
019823-000	..... 5	019894-000	..... 3
019824-000	..... 3	019895-000	..... 3
019825-000	..... 5	020006-000	..... 1
019837-000	..... 3	020007-000	..... 1
019838-000	..... 1	020010-000	..... 2
019849-000	..... 1	020014-000	..... 1
019850-000	..... 1	020285-000	..... 1
019851-000	..... 1	022521-000	..... 3
019852-000	..... 1	PC030007	..... 1
019853-000	..... 1	PC030017	..... 1
019854-000	..... 1	PD020055	..... 1, 3, 4
019855-000	..... 1	PE010016	..... 1
019856-000	..... 1	PE030052	..... 4
019857-000	..... 1	PE030187	..... 2, 4, 5
019858-000	..... 1, 1		
019859-000	..... 1		
019860-000	..... 1		
019862-000	..... 1		
019865-000	..... 1		
019867-000	..... 1		
019868-000	..... 3		
019871-000	..... 1		
019872-000	..... 1		
019874-000	..... 1		
019875-000	..... 5		
019876-000	..... 5		
019877-000	..... 2, 5		
019878-000	..... 5		