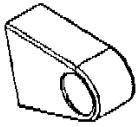
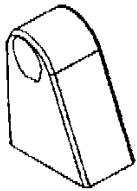
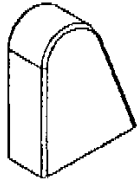

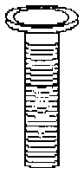

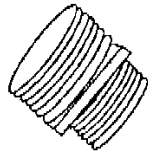
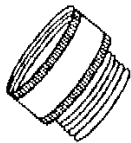
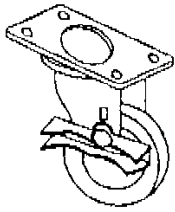
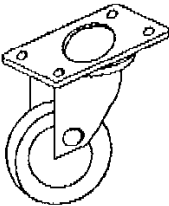
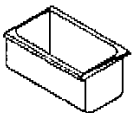
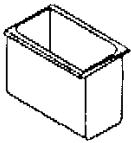
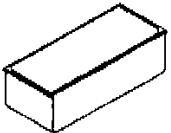
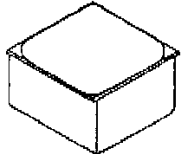
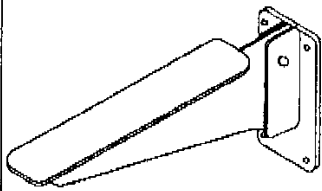
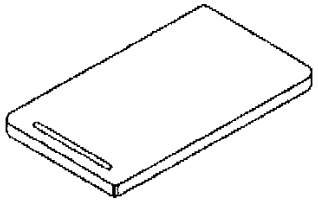


VBRC410-VP RC410

INDIVIDUAL COMPONENTS-VIEW 1	1
INDIVIDUAL COMPONENTS-VIEW 2	2
INDIVIDUAL COMPONENTS-VIEW 3	3
INDIVIDUAL COMPONENTS-VIEW 4	4
INDIVIDUAL COMPONENTS-VIEW 5	5
INDIVIDUAL COMPONENTS-VIEW 6	6
INTERIOR ASSY	7
MAIN ASSY	8
Appendix A:Pages Index	A
Appendix B:Parts Index	B

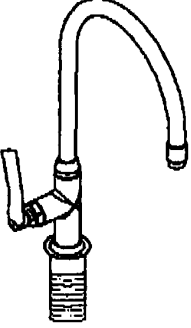
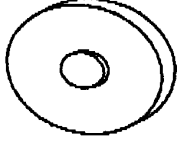

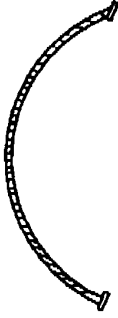


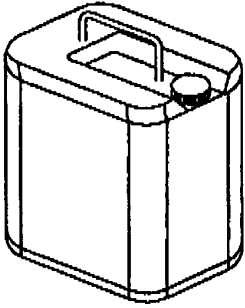
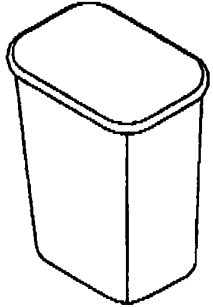

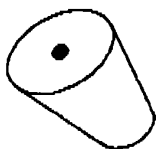
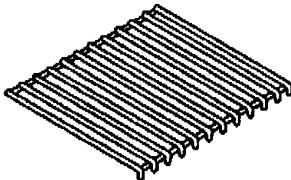
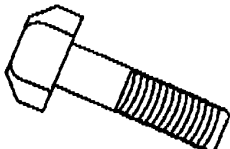

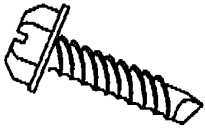

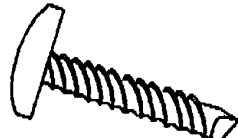
INDIVIDUAL COMPONENTS-VIEW 1

 1	 2	 3	 4
 5	 6	 7	 8
 9	 10	 11	 12
 13	 14	 15	 16



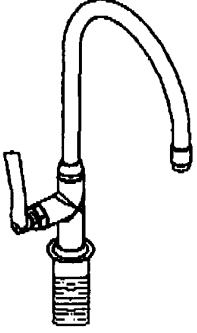
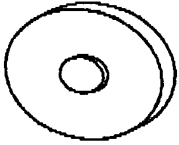

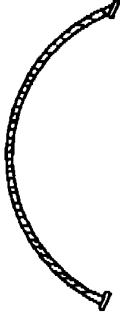


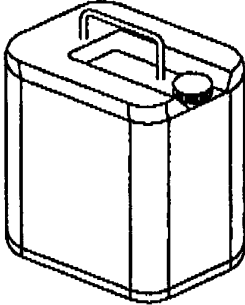
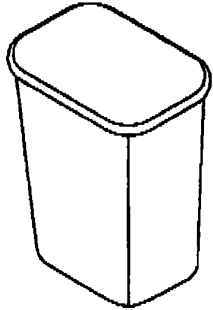

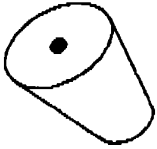
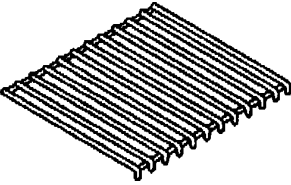
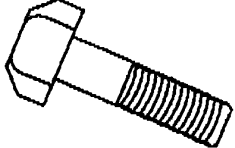

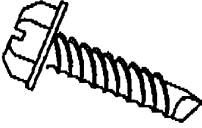

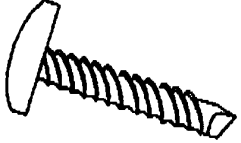
Item	Part No.	Name	Qty	Uom	NOTES
1	PW300304	LARGE END CAPS - CHROME	1	EA	Not available online / Call for pricing and availability
2	PW300305	SUB TO PW300349 - MINI BRACKET/TUBE ASSEMBLY-CHROME 41BP02	1	EA	NO LONGER AVAILABLE
3	PW300306	MINI END CAPS-CHROME 41BP03	1	EA	NO LONGER AVAILABLE
4	PW300307	VIKING LOGO 24-41BP04	1	EA	Not available online / Call for pricing and availability
5	PW300308	1/2" X 3 1/2" BRASS DRAIN 24-41BP05	1	EA	NO LONGER AVAILABLE, Not available online / Call for pricing and availability
6	PW300309	1/2" X 2" BRASS DRAIN 24-41BP06	1	EA	
7	PW300310	3/4" MALE X 1/2" MALE BRASS FITTING 41P07	1	EA	NO LONGER AVAILABLE, Not available online / Call for pricing and availability
8	PW300311	3/4" FEMALE X 1/2" MALE FITTING 41P08	1	EA	NO LONGER AVAILABLE, Not available online / Call for pricing and availability
9	PC030020	SWIVEL CASTER (VGBQ) (CH#C21-1051)	1	EA	
10	PC030021	CASTER, FIXED	1	EA	NO LONGER AVAILABLE
11	PW300293	CONDIMENT TRAY (24-41BP11)	1	EA	NO LONGER AVAILABLE
12	PW300314	1/6 SIZE X 6" DEEP 18-8 S/S 24B12	1	EA	NO LONGER AVAILABLE
13	PW300295	MEDIUM CONDIMENT PAN (41BP13)	1	EA	NO LONGER AVAILABLE
14	PW300315	2/3 SIZE X 6" DEEP 18-8 S/S 41BP14	1	EA	NO LONGER AVAILABLE
15	PW300316	FOLD DOWN SIDE SHELF BRACKETS S/S 41P15	1	EA	NO LONGER AVAILABLE, Not available online / Call for pricing and availability
16	PW300317	CUTTING BOARD (FOR 41" UNIT) 41BP16	1	EA	NO LONGER AVAILABLE

INDIVIDUAL COMPONENTS-VIEW 2

 <p>17</p>	 <p>18</p>	 <p>19</p>	 <p>20</p>
 <p>21</p>	 <p>22</p>	 <p>23</p>	 <p>24</p>
 <p>25</p>	 <p>26</p>	 <p>27</p>	 <p>28</p>
 <p>29</p>	 <p>30</p>	 <p>31</p>	 <p>32</p>



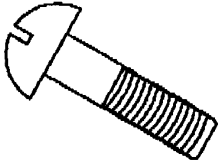

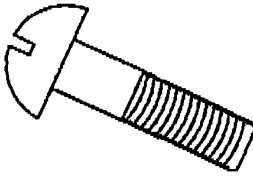
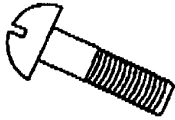
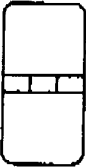
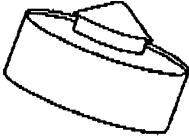
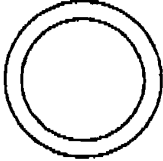


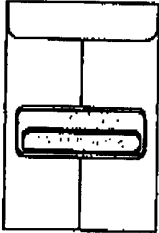

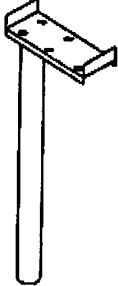




Item	Part No.	Name	Qty	Uom	NOTES
17	PW300318	PANTRY FAUCET W/GOOSENECK SPOUT 24- 41BP17	1	EA	
18	PW300319	1" SKATE WHEEL - SS 41BP18	1	EA	
19	PW300320	5" X 1/2" MALE PVC NIPPLE 41BP19	1	EA	NO LONGER AVAILABLE
20	PW300321	60" SS HOSE 41BP20	1	EA	NO LONGER AVAILABLE
21	PW300322	18" SS HOSE 41P21	1	EA	NO LONGER AVAILABLE
22	PW300323	12" SS HOSE 41B22	1	EA	NO LONGER AVAILABLE
23	PW300324	7 GAL. 10" X 10" X 10 1/4" X 19" PLASTIC CONTAINER 41BP23	1	EA	NO LONGER AVAILABLE, Not available online / Call for pricing and availability
24	PW300325	GRAY TRASH CAN	1	EA	Not available online / Call for pricing and availability
25	PW300326	SS CHAIN LINK 41BP25	1	EA	NO LONGER AVAILABLE
26	PW300327	BLACK RUBBER PLUG (FOR ICE BIN) 41BP26	1	EA	NO LONGER AVAILABLE
27	PW300328	SS WIRE RACK (FOR 41" UNIT) 41BP27	1	EA	NO LONGER AVAILABLE
28	PW300329	1/4-20 X 1/2 HEX CAP SCREW 41BP28	1	EA	NO LONGER AVAILABLE, Not available online / Call for pricing and availability
29	PW300330	1/4 MED SPLIT LOCK WASHER 41BP29	1	EA	NO LONGER AVAILABLE, Not available online / Call for pricing and availability
30	PW300331	#8 X 1/2" HEX WASHER HEAD TEK 24-41BP30	1	EA	NO LONGER AVAILABLE, Not available online / Call for pricing and availability
31	PW300332	#8 X 1/2" PHIL. PAN HEAD TEK 41BP31	1	EA	NO LONGER AVAILABLE, Not available online / Call for pricing and availability

 <p>17</p>	 <p>18</p>	 <p>19</p>	 <p>20</p>
 <p>21</p>	 <p>22</p>	 <p>23</p>	 <p>24</p>
 <p>25</p>	 <p>26</p>	 <p>27</p>	 <p>28</p>
 <p>29</p>	 <p>30</p>	 <p>31</p>	 <p>32</p>



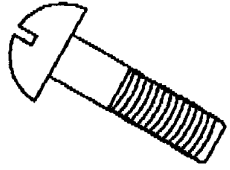

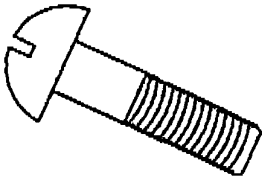
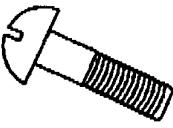
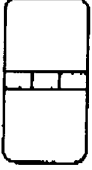
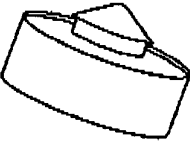
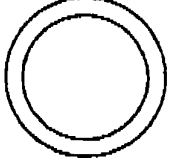


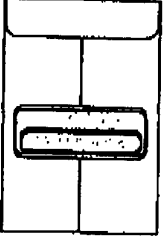

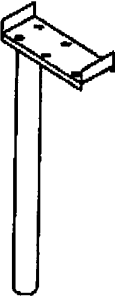
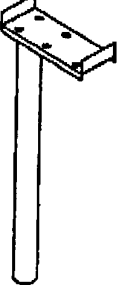

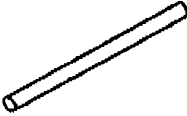

Item	Part No.	Name	Qty	Uom	NOTES
32	PW300333	#8 X 1/2" PHIL PAN HEAD TEK 24-41BP32	1	EA	NO LONGER AVAILABLE, Not available online / Call for pricing and availability

INDIVIDUAL COMPONENTS-VIEW 3

 <p>33</p>	 <p>34</p>	 <p>35</p>	 <p>36</p>
 <p>37</p>	 <p>38</p>	 <p>39</p>	 <p>40</p>
 <p>41</p>	 <p>42</p>	 <p>43</p>	 <p>44</p>
 <p>45</p>	 <p>46</p>	 <p>47</p>	 <p>48</p>



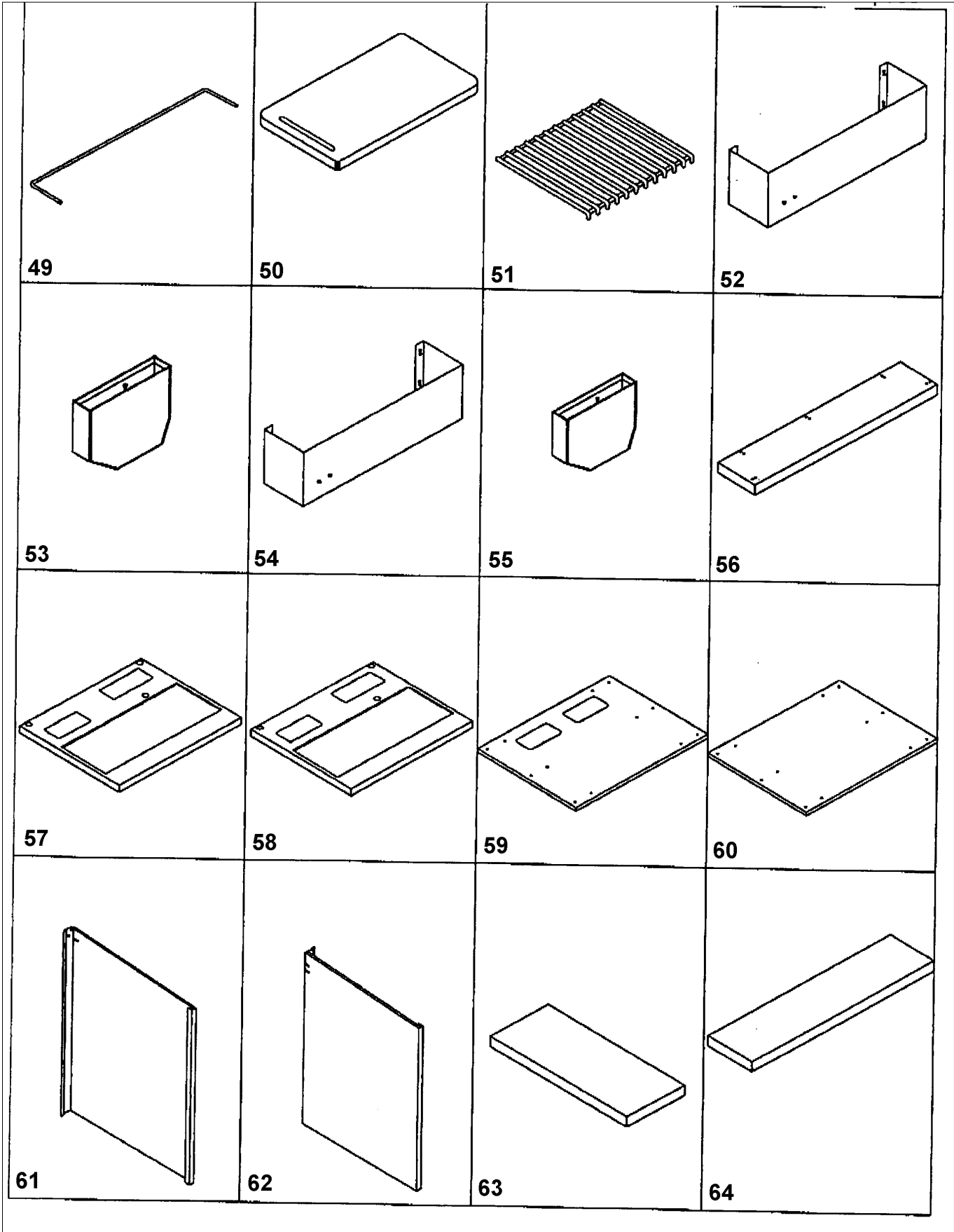
Item	Part No.	Name	Qty	Uom	NOTES
33	PW300334	1/4-20X 1/2" PH TRUSS MS 24-41BP33	1	EA	NO LONGER AVAILABLE
34	PW300335	1/4-20 KEPS LOCK NUT 41P34	1	EA	NO LONGER AVAILABLE, Not available online / Call for pricing and availability
35	PW300336	10-24X1/2" PH TRUSS 24-41P35	1	EA	NO LONGER AVAILABLE
36	PW300337	10-24X1/4" PH PAN HD THREAD CUTTING 24-41BP36	1	EA	NO LONGER AVAILABLE
37	PW300338	1/2" PVC FEMALE COUPLING 41BP37	1	EA	NO LONGER AVAILABLE, Not available online / Call for pricing and availability
38	PW300339	RUBBER BUMPER (FOR SIDE SHELF) 41BP38	1	EA	NO LONGER AVAILABLE, Not available online / Call for pricing and availability
39	PW300340	1" BLACK PLASTIC HOLE PLUG 41BP39	1	EA	NO LONGER AVAILABLE, Not available online / Call for pricing and availability
40	PW300341	RUBBER TRIM (2" STRIP) 41P40	1	EA	NO LONGER AVAILABLE, Not available online / Call for pricing and availability
41	PW300342	SS BOTTLE OPENER 24-41BP41	1	EA	NO LONGER AVAILABLE
42	PW300343	VIKING INSTRUCTION MANUAL 24-41P42	1	EA	NO LONGER AVAILABLE, Not available online / Call for pricing and availability
43	PW300344	1/8" SPEED FLANGE NUT 24-41BP43	1	EA	NO LONGER AVAILABLE, Not available online / Call for pricing and availability
44	PW300298	41" TOP SHELF POLE (41BP44)	1	EA	NO LONGER AVAILABLE, Not available online / Call for pricing and availability
45	PW300345	1" TUBING FOR 24" RAIL SUPPORT - LH 24B67	1	EA	NO LONGER AVAILABLE

 <p>33</p>	 <p>34</p>	 <p>35</p>	 <p>36</p>
 <p>37</p>	 <p>38</p>	 <p>39</p>	 <p>40</p>
 <p>41</p>	 <p>42</p>	 <p>43</p>	 <p>44</p>
 <p>45</p>	 <p>46</p>	 <p>47</p>	 <p>48</p>



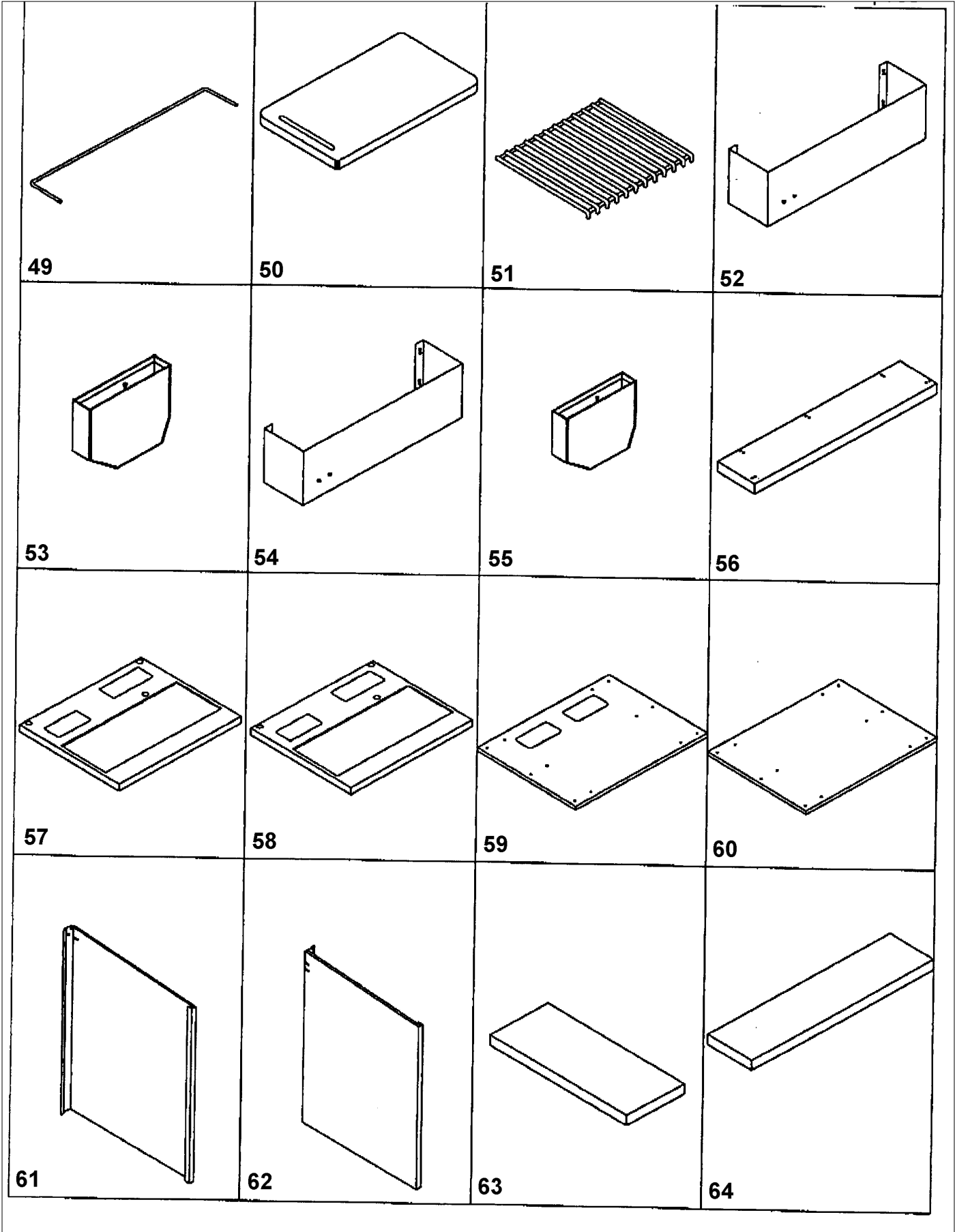
Item	Part No.	Name	Qty	Uom	NOTES
46	PW300346	1" SS TUBING FOR SIDE CART 41P46	1	EA	NO LONGER AVAILABLE, Not available online / Call for pricing and availability
47	PW300347	1" SS TUBING FOR FRONT DRAWERS 41BP47	1	EA	NO LONGER AVAILABLE
48	PW300348	SUB TO PW300305 - 5/8" TUBING FOR 24" UNIT TOP RAIL 24B48	1	EA	NO LONGER AVAILABLE

INDIVIDUAL COMPONENTS-VIEW 4





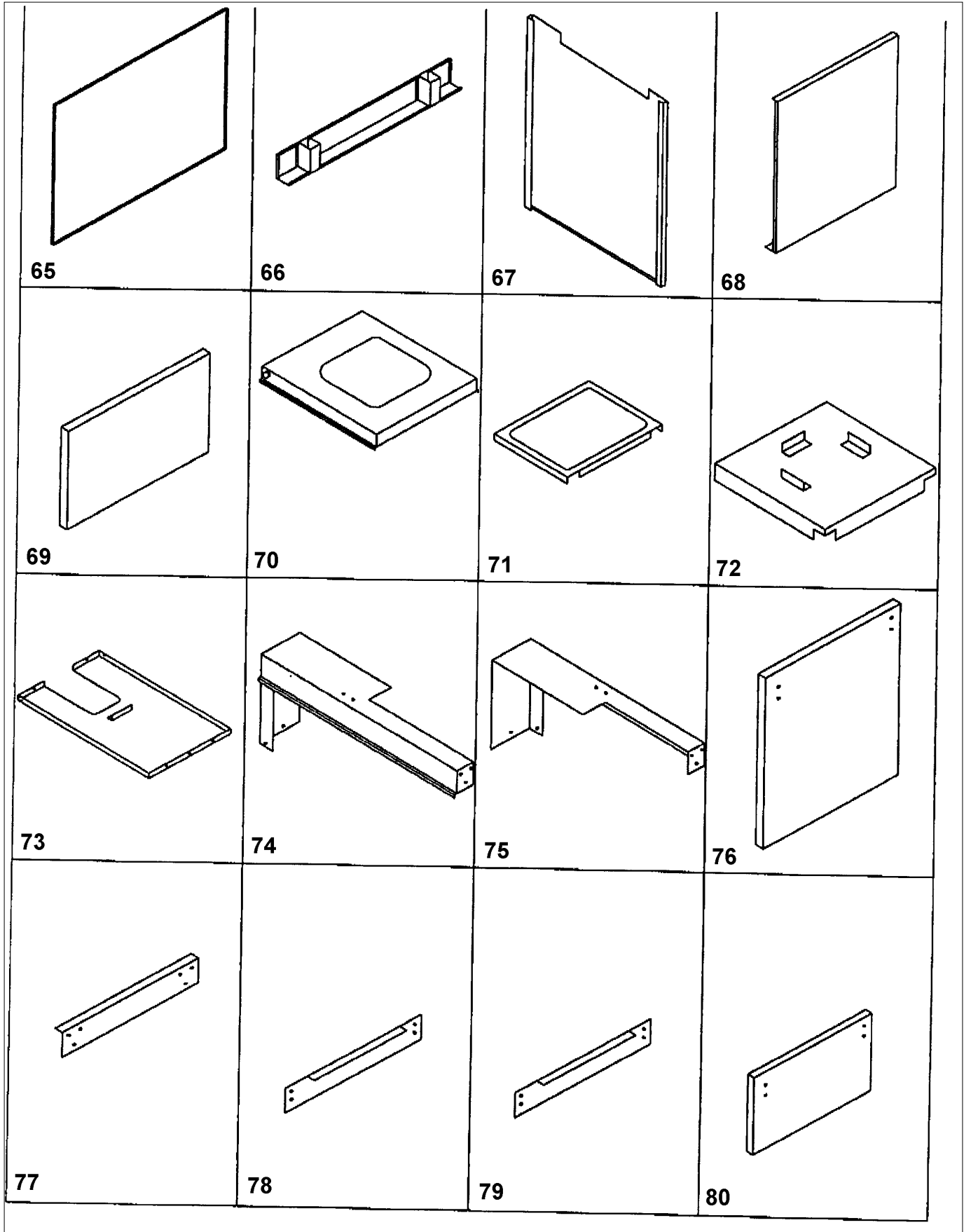
Item	Part No.	Name	Qty	Uom	NOTES
49	PW300349	5/8" TUBING FOR 41" UNIT TOP RAIL 41BP49	1	EA	NO LONGER AVAILABLE
50	PW300350	CUTTING BOARD (FOR 24" UNIT) 24B50	1	EA	NO LONGER AVAILABLE, Not available online / Call for pricing and availability
51	PW300351	SS WIRE RACK (FOR 24" UNIT) 24B51	1	EA	NO LONGER AVAILABLE, Not available online / Call for pricing and availability
52	PW300303	SPEED RAIL (41BP52)	1	EA	
53	PW300352	CATCH CAN (FOR 41" UNIT) 41BP53	1	EA	NO LONGER AVAILABLE
54	PW300353	SPEED RAIL (FOR 24" UNIT) 24B54	1	EA	NO LONGER AVAILABLE
55	PW300354	CATCH CAN (FOR 24" UNIT) 24B55	1	EA	NO LONGER AVAILABLE
56	PW300296	41" TOP SHELF (41BP56)	1	EA	NO LONGER AVAILABLE
57	PW300355	41" BUILT IN TOP 41BP57	1	EA	NO LONGER AVAILABLE, Not available online / Call for pricing and availability
58	PW300356	41" PORTABLE TOP 41P58	1	EA	NO LONGER AVAILABLE, Not available online / Call for pricing and availability
59	PW300357	BUILT IN BOTTOM PANEL 41B59	1	EA	NO LONGER AVAILABLE, Not available online / Call for pricing and availability
60	PW300358	POTABLE BOTTOM PANEL 41P60	1	EA	NO LONGER AVAILABLE, Not available online / Call for pricing and availability
61	PW300359	RIGHT SIDE PANEL 41BP61	1	EA	NO LONGER AVAILABLE, Not available online / Call for pricing and availability
62	PW300360	LEFT SIDE PANEL 41BP62	1	EA	NO LONGER AVAILABLE, Not available online / Call for pricing and availability





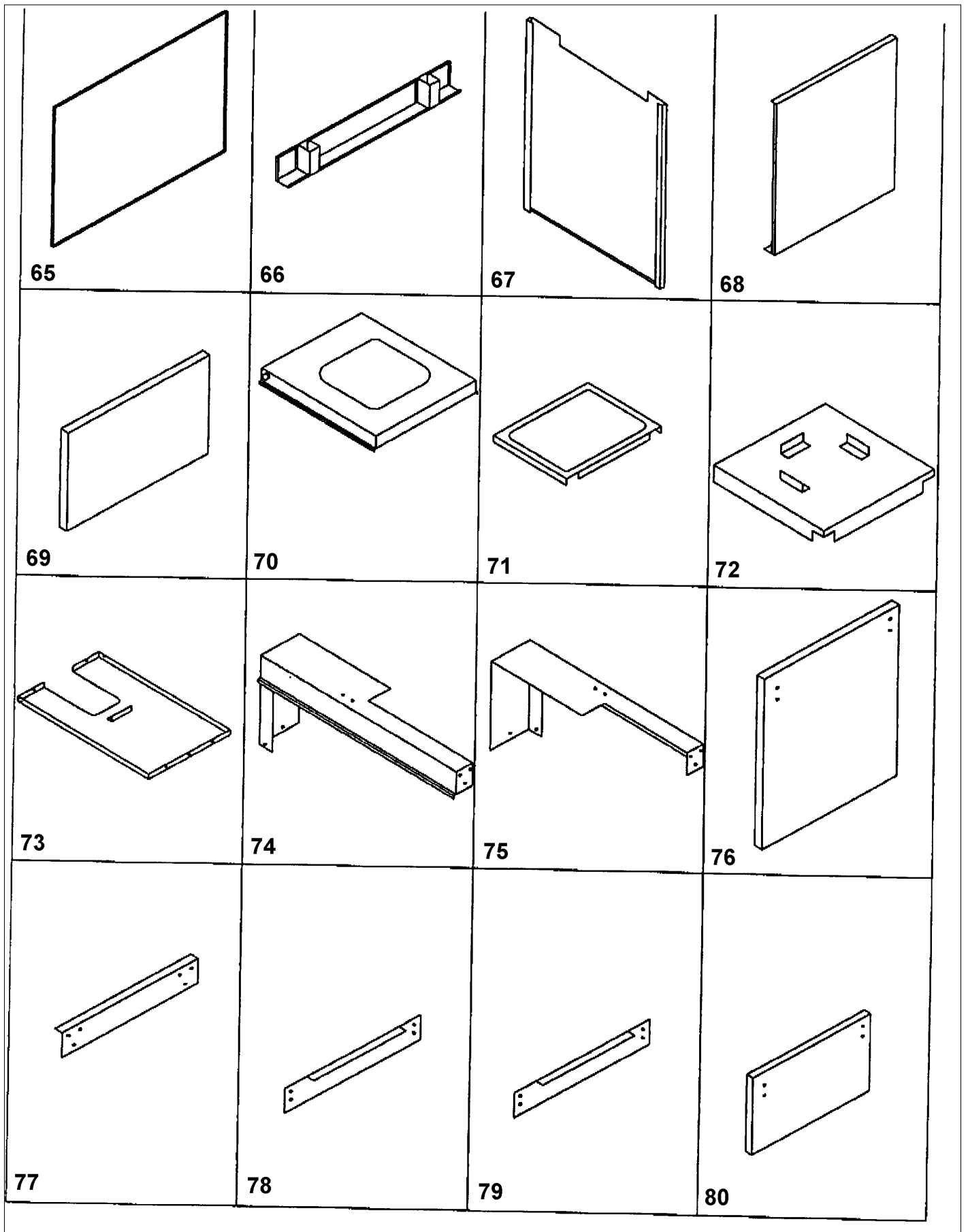
Item	Part No.	Name	Qty	Uom	NOTES
63	PW300361	LEFT SIDE SHELF 41P63	1	EA	NO LONGER AVAILABLE, Not available online / Call for pricing and availability
64	PW300362	BACK SHELF 41P64	1	EA	NO LONGER AVAILABLE, Not available online / Call for pricing and availability

INDIVIDUAL COMPONENTS-VIEW 5





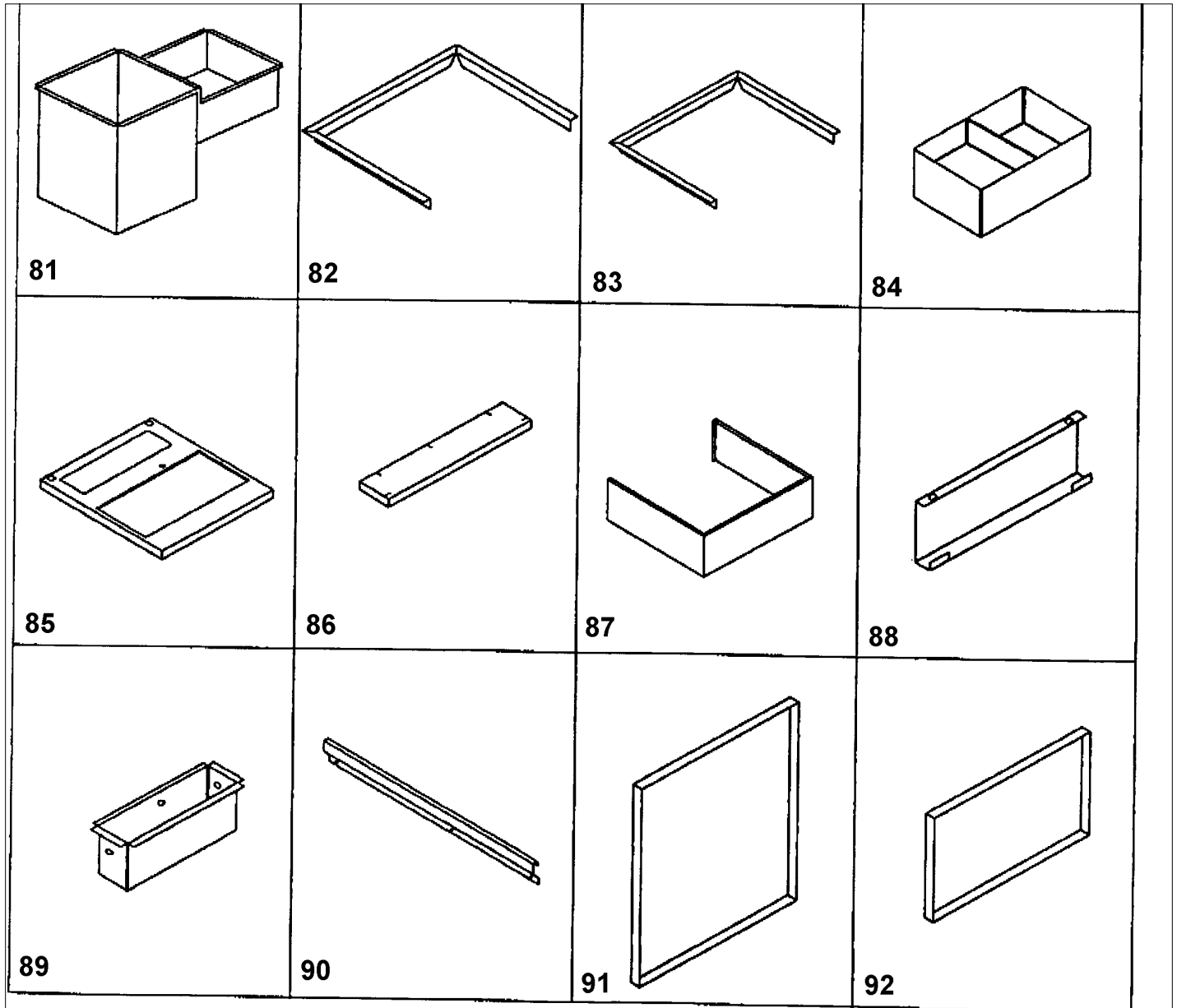
Item	Part No.	Name	Qty	Uom	NOTES
65	PW300363	LARGE BACK PANEL 41P65	1	EA	NO LONGER AVAILABLE
66	PW300364	SMALL BACK PANEL 41P66	1	EA	NO LONGER AVAILABLE
67	PW300365	CENTER PARTITION 41BP67	1	EA	NO LONGER AVAILABLE
68	PW300366	LARGE FRONT PANEL 41BP68	1	EA	NO LONGER AVAILABLE
69	PW300367	SMALL FRONT PANEL 41BP69	1	EA	NO LONGER AVAILABLE
70	PW300368	PAN HOLDER W/TRACKS (FOR SMALL DRAWER) 41BP70	1	EA	NO LONGER AVAILABLE, Not available online / Call for pricing and availability
71	PW300369	PAN HOLDER (FOR ICE BIN) 41BP71	1	EA	NO LONGER AVAILABLE
72	PW300370	WATER CONTAINER BRACE 41BP72	1	EA	NO LONGER AVAILABLE, Not available online / Call for pricing and availability
73	PW300371	LARGE DRAWER BOTTOM 41BP73	1	EA	NO LONGER AVAILABLE, Not available online / Call for pricing and availability
74	PW300372	LARGE DRAWER LEFT DOOR TRACK 41BP74	1	EA	NO LONGER AVAILABLE, Not available online / Call for pricing and availability
75	PW300373	LARGE DRAWER RIGHT DOOR TRACK 41BP75	1	EA	NO LONGER AVAILABLE, Not available online / Call for pricing and availability
76	PW300374	LARGE FRONT DRAWER FACE 41BP76	1	EA	NO LONGER AVAILABLE
77	PW300375	LARGE DRAWER FRONT SUPPORT 41BP77	1	EA	NO LONGER AVAILABLE, Not available online / Call for pricing and availability
78	PW300376	LARGE DRAWER BACK SUPPORT 41BP78	1	EA	NO LONGER AVAILABLE, Not available online / Call for pricing and availability





Item	Part No.	Name	Qty	Uom	NOTES
79	PW300377	LARGE DRAWER TOP SUPPORT 41BP79	1	EA	NO LONGER AVAILABLE, Not available online / Call for pricing and availability
80	PW300378	SMALL DRAWER FRONT FACE 41BP80	1	EA	NO LONGER AVAILABLE

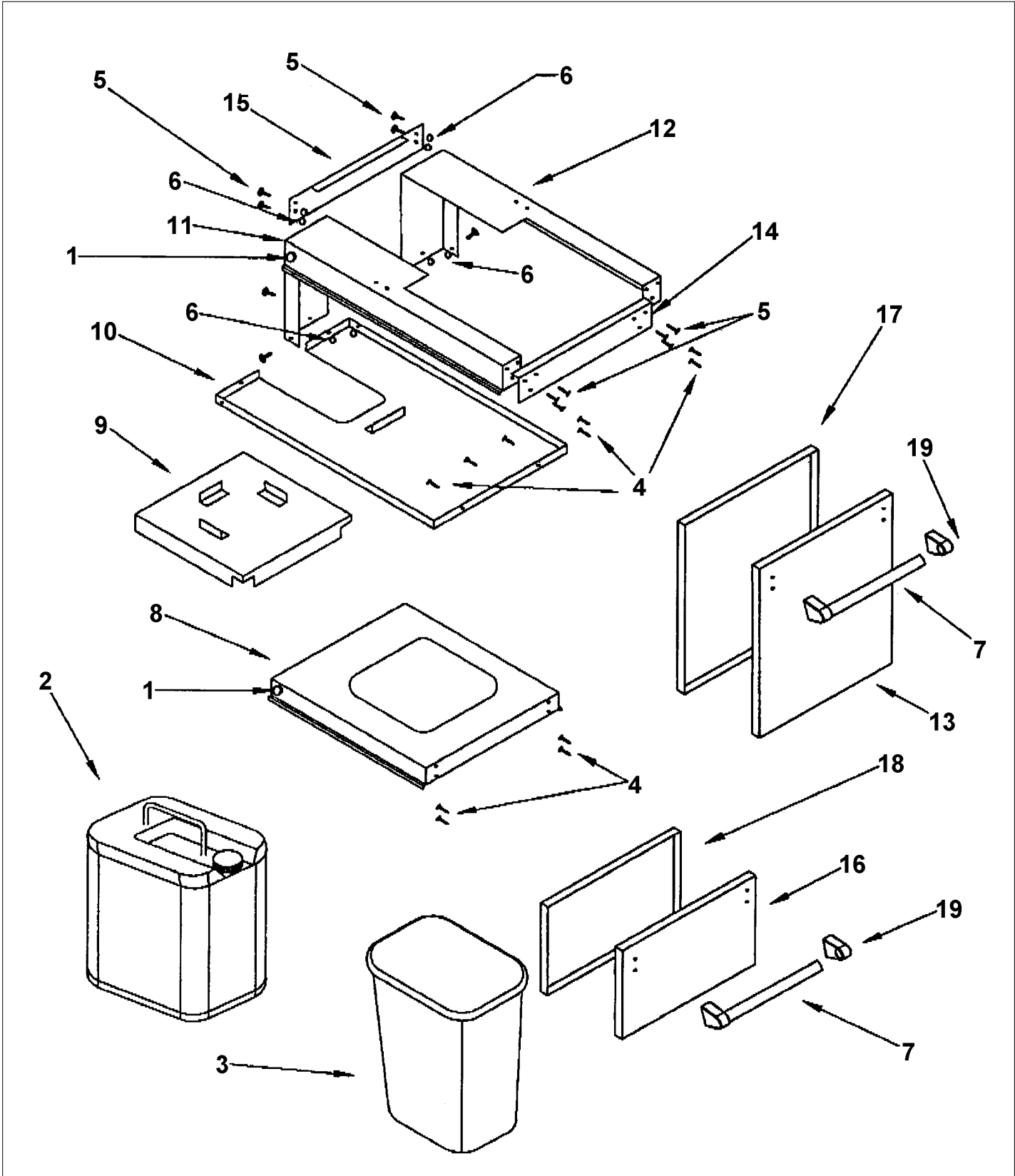
INDIVIDUAL COMPONENTS-VIEW 6





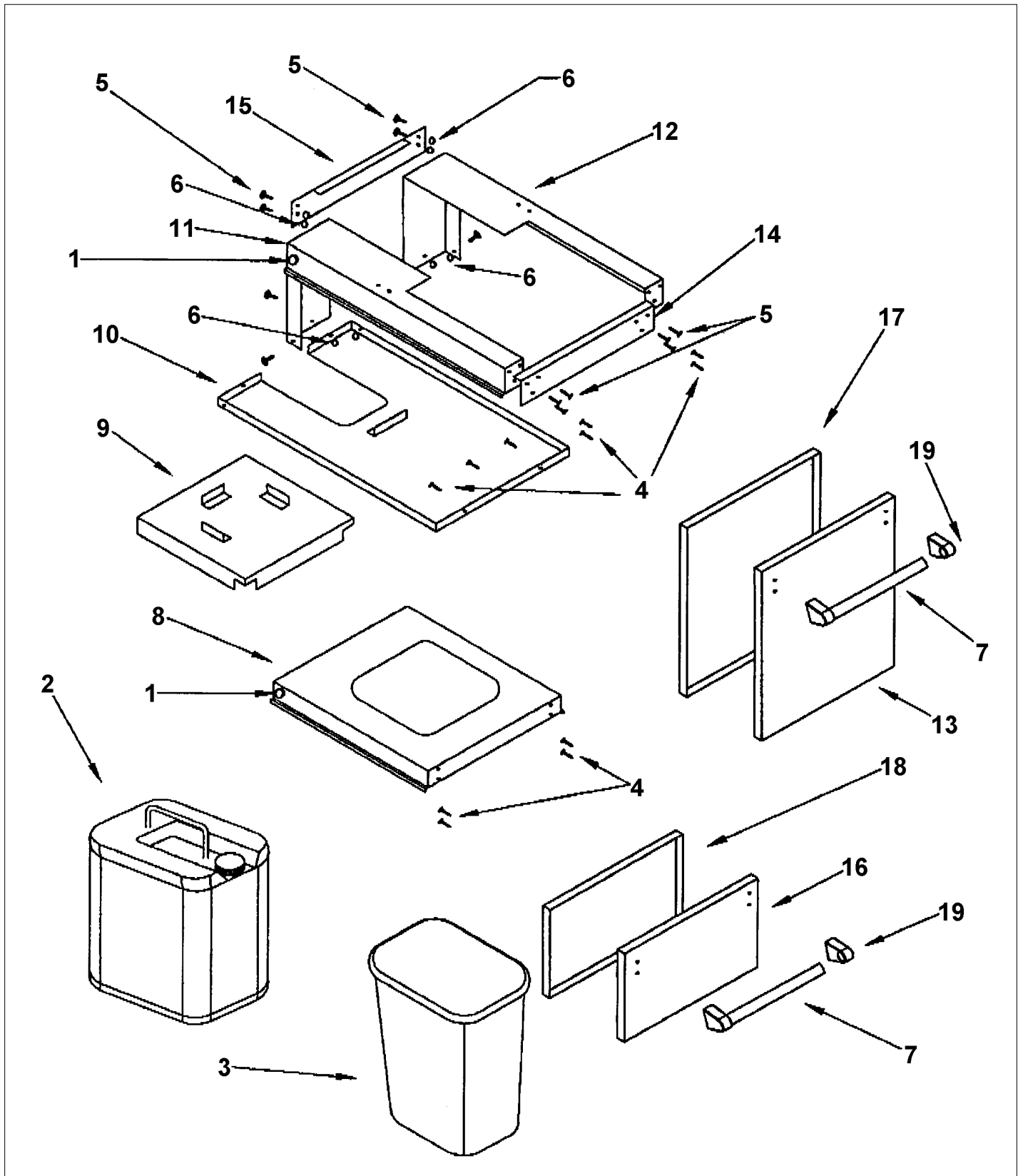
Item	Part No.	Name	Qty	Uom	NOTES
81	PW300379	ICE BIN AND SINK (FOR 41" UNIT) 41BP81	1	EA	NO LONGER AVAILABLE
82	PW300299	OUTER TRIM PIECE VBRC410 (41B82)	1	EA	NO LONGER AVAILABLE
83	PW300380	TRIM (FOR 24" BUILT-IN UNIT) 24B83	1	EA	NO LONGER AVAILABLE
84	PW300381	ICE BIN AND SINK (FOR 24" UNIT) 24B84	1	EA	NO LONGER AVAILABLE, Not available online / Call for pricing and availability
85	PW300382	TOP (FOR 24" UNIT) 24B85	1	EA	NO LONGER AVAILABLE, Not available online / Call for pricing and availability
86	PW300297	24" TOP SHELF (24B86)	1	EA	NO LONGER AVAILABLE
87	PW300383	BODY WRAP (FOR 24" UNIT) 24B87	1	EA	NO LONGER AVAILABLE, Not available online / Call for pricing and availability
88	PW300384	BACK PANEL (FOR 24" UNIT) 24B88	1	EA	NO LONGER AVAILABLE, Not available online / Call for pricing and availability
89	PW300385	INSULATED ICE PAN (FOR 24" UNIT) 24B89	1	EA	NO LONGER AVAILABLE
90	PW300386	ICE BIN TRACK (SET) 41BP90	1	EA	NO LONGER AVAILABLE, Not available online / Call for pricing and availability
91	PW300387	LARGE BACK DRAWER FACE 41BP91	1	EA	NO LONGER AVAILABLE, Not available online / Call for pricing and availability
92	PW300388	SMALL BACK DRAWER FACE 41BP92	1	EA	NO LONGER AVAILABLE, Not available online / Call for pricing and availability
93	PW300389	SLIDING COVERS FOR 24" BEV. CENTER (OLD) 24B93	1	EA	NO LONGER AVAILABLE

INTERIOR ASSY





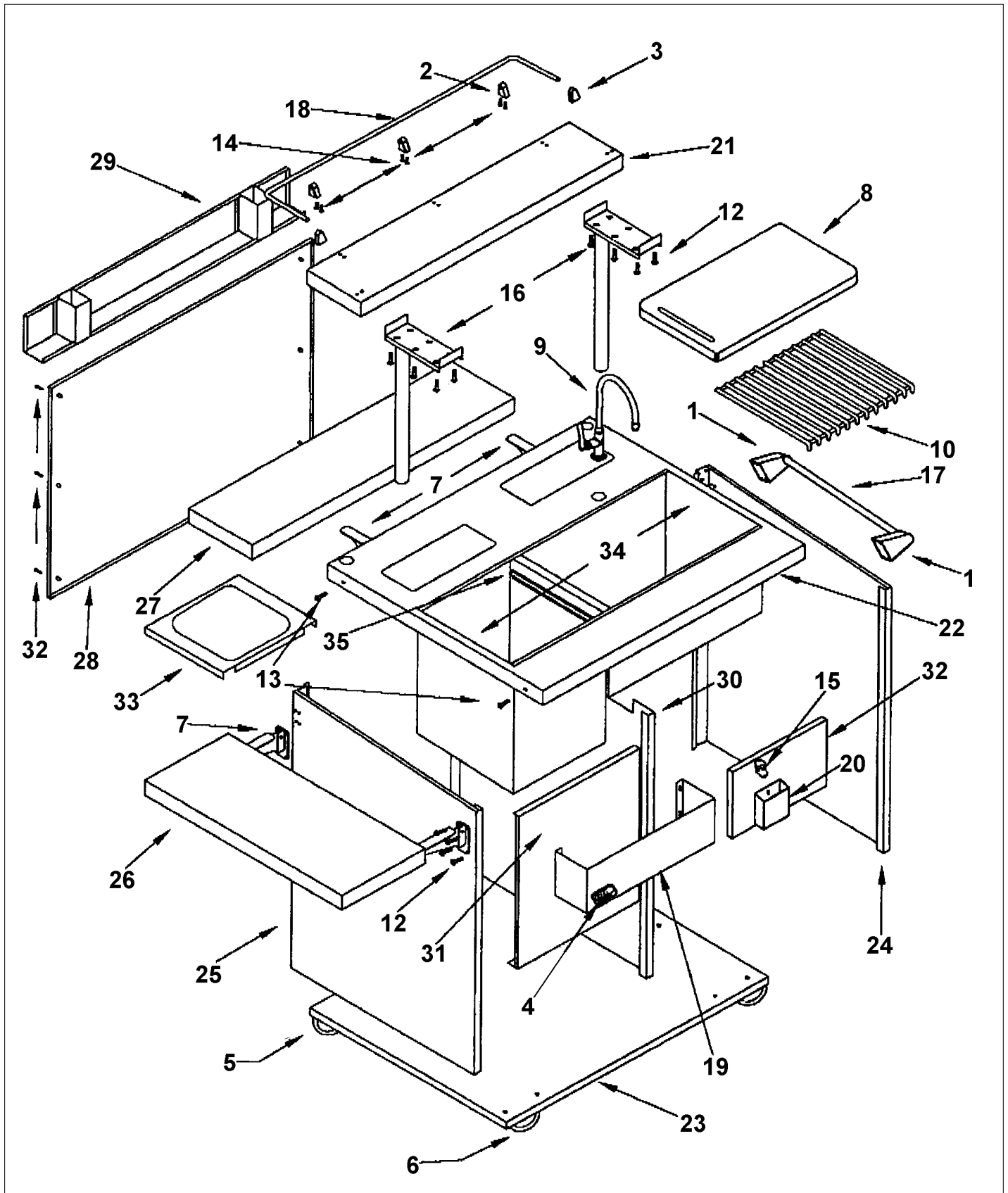
Item	Part No.	Name	Qty	Uom	NOTES
1	PW300319	1" SKATE WHEEL - SS 41BP18	1	EA	
2	PW300324	7 GAL. 10" X 10" X 10 1/4" X 19" PLASTIC CONTAINER 41BP23	1	EA	NO LONGER AVAILABLE, Not available online / Call for pricing and availability
3	PW300325	GRAY TRASH CAN	1	EA	Not available online / Call for pricing and availability
4	PW300331	#8 X 1/2" HEX WASHER HEAD TEK 24-41BP30	1	EA	NO LONGER AVAILABLE, Not available online / Call for pricing and availability
5	PW300334	1/4-20X 1/2" PH TRUSS MS 24-41BP33	1	EA	NO LONGER AVAILABLE
6	PW300335	1/4-20 KEPS LOCK NUT 41P34	1	EA	NO LONGER AVAILABLE, Not available online / Call for pricing and availability
7	PW300347	1" SS TUBING FOR FRONT DRAWERS 41BP47	1	EA	NO LONGER AVAILABLE
8	PW300368	PAN HOLDER W/TRACKS (FOR SMALL DRAWER) 41BP70	1	EA	NO LONGER AVAILABLE, Not available online / Call for pricing and availability
9	PW300370	WATER CONTAINER BRACE 41BP72	1	EA	NO LONGER AVAILABLE, Not available online / Call for pricing and availability
10	PW300371	LARGE DRAWER BOTTOM 41BP73	1	EA	NO LONGER AVAILABLE, Not available online / Call for pricing and availability
11	PW300372	LARGE DRAWER LEFT DOOR TRACK 41BP74	1	EA	NO LONGER AVAILABLE, Not available online / Call for pricing and availability
12	PW300373	LARGE DRAWER RIGHT DOOR TRACK 41BP75	1	EA	NO LONGER AVAILABLE, Not available online / Call for pricing and availability
13	PW300374	LARGE FRONT DRAWER FACE 41BP76	1	EA	NO LONGER AVAILABLE





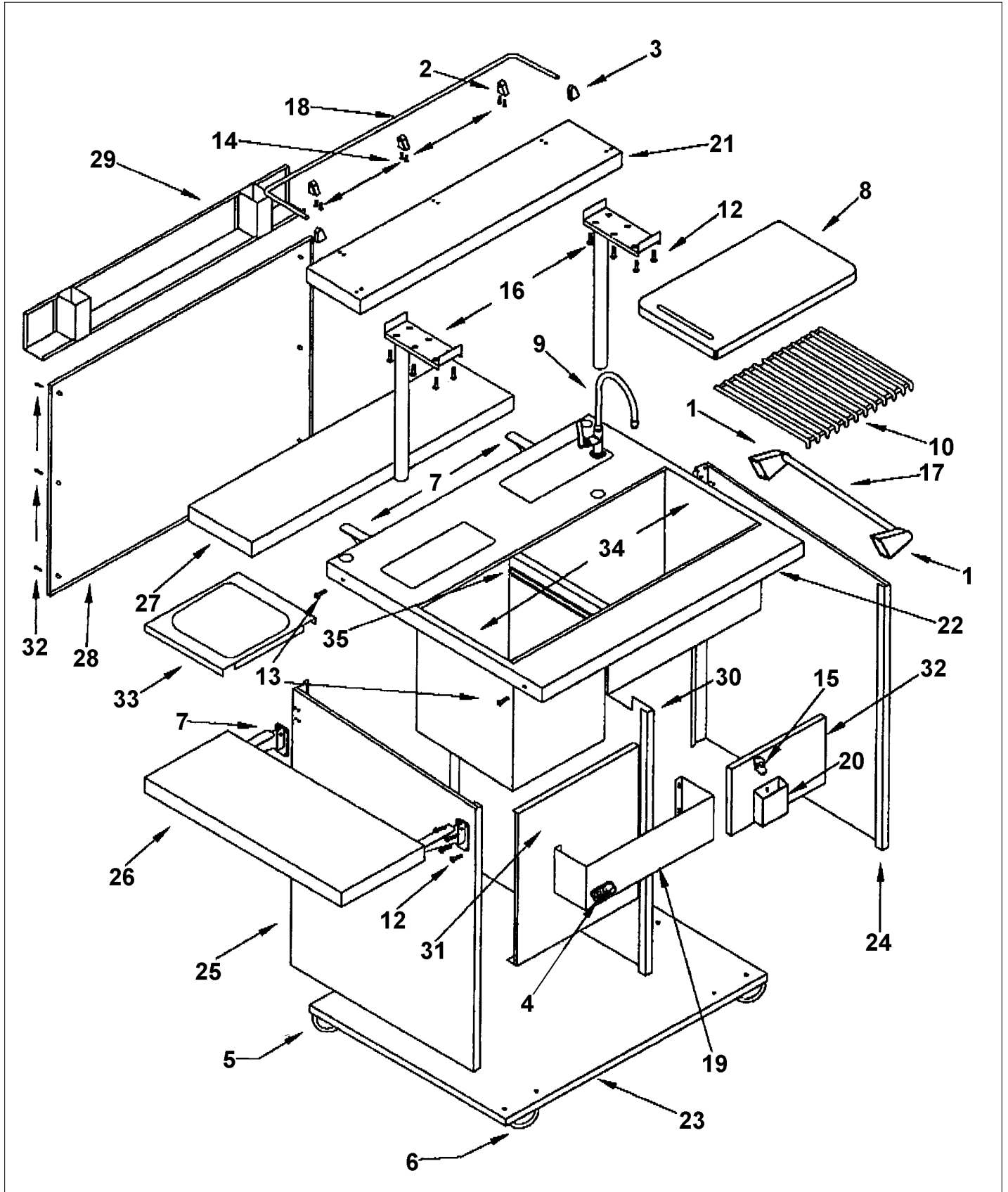
Item	Part No.	Name	Qty	Uom	NOTES
14	PW300375	LARGE DRAWER FRONT SUPPORT 41BP77	1	EA	NO LONGER AVAILABLE, Not available online / Call for pricing and availability
15	PW300376	LARGE DRAWER BACK SUPPORT 41BP78	1	EA	NO LONGER AVAILABLE, Not available online / Call for pricing and availability
16	PW300378	SMALL DRAWER FRONT FACE 41BP80	1	EA	NO LONGER AVAILABLE
17	PW300387	LARGE BACK DRAWER FACE 41BP91	1	EA	NO LONGER AVAILABLE, Not available online / Call for pricing and availability
18	PW300388	SMALL BACK DRAWER FACE 41BP92	1	EA	NO LONGER AVAILABLE, Not available online / Call for pricing and availability
19	PW300304	LARGE END CAPS - CHROME	1	EA	Not available online / Call for pricing and availability

MAIN ASSY



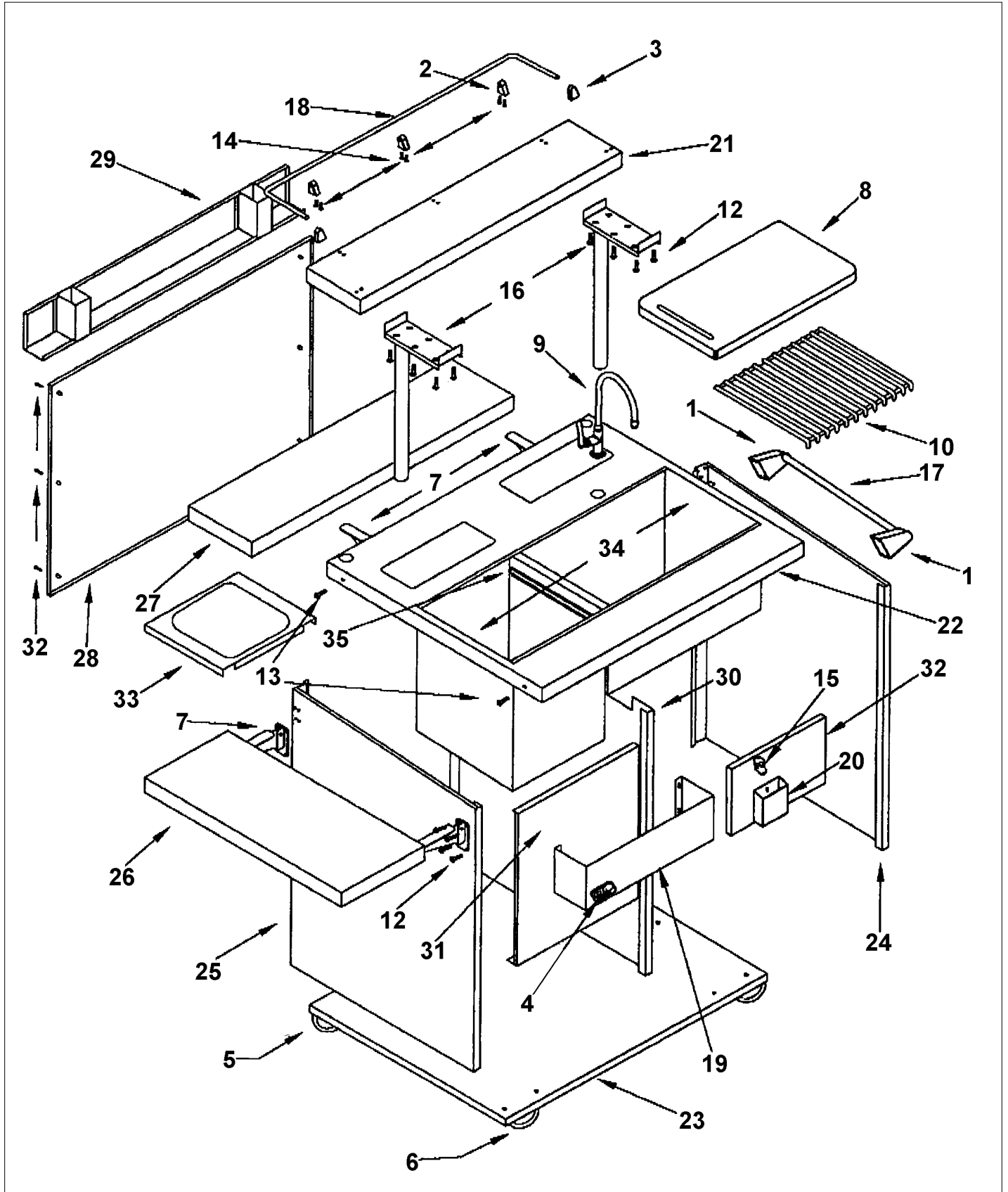


Item	Part No.	Name	Qty	Uom	NOTES
1	PW300304	LARGE END CAPS - CHROME	1	EA	Not available online / Call for pricing and availability
2	PW300305	SUB TO PW300349 - MINI BRACKET/TUBE ASSEMBLY-CHROME 41BP02	1	EA	NO LONGER AVAILABLE
3	PW300306	MINI END CAPS-CHROME 41BP03	1	EA	NO LONGER AVAILABLE
4	PW300307	VIKING LOGO 24-41BP04	1	EA	Not available online / Call for pricing and availability
5	PC030020	SWIVEL CASTER (VGBQ) (CH#C21-1051)	1	EA	
6	PC030021	CASTER, FIXED	1	EA	NO LONGER AVAILABLE
7	PW300316	FOLD DOWN SIDE SHELF BRACKETS S/S 41P15	1	EA	NO LONGER AVAILABLE, Not available online / Call for pricing and availability
8	PW300317	CUTTING BOARD (FOR 41" UNIT) 41BP16	1	EA	NO LONGER AVAILABLE
9	PW300318	PANTRY FAUCET W/GOOSENECK SPOUT 24-41BP17	1	EA	
10	PW300328	SS WIRE RACK (FOR 41" UNIT) 41BP27	1	EA	NO LONGER AVAILABLE
11	PW300332	#8 X 1/2" PHIL. PAN HEAD TEK 41BP31	1	EA	NO LONGER AVAILABLE, Not available online / Call for pricing and availability
12	PW300333	#8 X 1/2" PHIL PAN HEAD TEK 24-41BP32	1	EA	NO LONGER AVAILABLE, Not available online / Call for pricing and availability
13	PW300336	10-24X1/2" PH TRUSS 24-41P35	1	EA	NO LONGER AVAILABLE
14	PW300337	10-24X1/4" PH PAN HD THREAD CUTTING 24-41BP36	1	EA	NO LONGER AVAILABLE
15	PW300342	SS BOTTLE OPENER 24-41BP41	1	EA	NO LONGER AVAILABLE
16	PW300298	41" TOP SHELF POLE (41BP44)	1	EA	NO LONGER AVAILABLE, Not available online / Call for pricing and availability





Item	Part No.	Name	Qty	Uom	NOTES
17	PW300346	1" SS TUBING FOR SIDE CART 41P46	1	EA	NO LONGER AVAILABLE, Not available online / Call for pricing and availability
18	PW300349	5/8" TUBING FOR 41" UNIT TOP RAIL 41BP49	1	EA	NO LONGER AVAILABLE
19	PW300303	SPEED RAIL (41BP52)	1	EA	
20	PW300352	CATCH CAN (FOR 41" UNIT) 41BP53	1	EA	NO LONGER AVAILABLE
21	PW300296	41" TOP SHELF (41BP56)	1	EA	NO LONGER AVAILABLE
22	PW300355	41" BUILT IN TOP 41BP57	1	EA	NO LONGER AVAILABLE, Not available online / Call for pricing and availability
Not Shown	PW300356	41" PORTABLE TOP 41P58	1	EA	NO LONGER AVAILABLE, Not available online / Call for pricing and availability
23	PW300357	BUILT IN BOTTOM PANEL 41B59	1	EA	NO LONGER AVAILABLE, Not available online / Call for pricing and availability
Not Shown	PW300358	POTABLE BOTTOM PANEL 41P60	1	EA	NO LONGER AVAILABLE, Not available online / Call for pricing and availability
24	PW300359	RIGHT SIDE PANEL 41BP61	1	EA	NO LONGER AVAILABLE, Not available online / Call for pricing and availability
25	PW300360	LEFT SIDE PANEL 41BP62	1	EA	NO LONGER AVAILABLE, Not available online / Call for pricing and availability
26	PW300361	LEFT SIDE SHELF 41P63	1	EA	NO LONGER AVAILABLE, Not available online / Call for pricing and availability
27	PW300362	BACK SHELF 41P64	1	EA	NO LONGER AVAILABLE, Not available online / Call for pricing and availability





Item	Part No.	Name	Qty	Uom	NOTES
28	PW300363	LARGE BACK PANEL 41P65	1	EA	NO LONGER AVAILABLE
29	PW300364	SMALL BACK PANEL 41P66	1	EA	NO LONGER AVAILABLE
30	PW300365	CENTER PARTITION 41BP67	1	EA	NO LONGER AVAILABLE
31	PW300366	LARGE FRONT PANEL 41BP68	1	EA	NO LONGER AVAILABLE
32	PW300367	SMALL FRONT PANEL 41BP69	1	EA	NO LONGER AVAILABLE
33	PW300369	PAN HOLDER (FOR ICE BIN) 41BP71	1	EA	NO LONGER AVAILABLE
34	PW300379	ICE BIN AND SINK (FOR 41" UNIT) 41BP81	1	EA	NO LONGER AVAILABLE
35	PW300378	SMALL DRAWER FRONT FACE 41BP80	1	EA	NO LONGER AVAILABLE



Appendix A:Pages Index

INDIVIDUAL COMPONENTS-VIEW 1 1
INDIVIDUAL COMPONENTS-VIEW 2 2
INDIVIDUAL COMPONENTS-VIEW 3 3
INDIVIDUAL COMPONENTS-VIEW 4 4
INDIVIDUAL COMPONENTS-VIEW 5 5
INDIVIDUAL COMPONENTS-VIEW 6 6
INTERIOR ASSY 7
MAIN ASSY 8



Appendix B:Parts Index

PC030020	1, 8	PW300337	3, 8
PC030021	1, 8	PW300338	3
PW300293	1	PW300339	3
PW300295	1	PW300340	3
PW300296	4, 8	PW300341	3
PW300297	6	PW300342	3, 8
PW300298	3, 8	PW300343	3
PW300299	6	PW300344	3
PW300303	4, 8	PW300345	3
PW300304	1, 7, 8	PW300346	3, 8
PW300305	1, 8	PW300347	3, 7
PW300306	1, 8	PW300348	3
PW300307	1, 8	PW300349	4, 8
PW300308	1	PW300350	4
PW300309	1	PW300351	4
PW300310	1	PW300352	4, 8
PW300311	1	PW300353	4
PW300314	1	PW300354	4
PW300315	1	PW300355	4, 8
PW300316	1, 8	PW300356	4, 8
PW300317	1, 8	PW300357	4, 8
PW300318	2, 8	PW300358	4, 8
PW300319	2, 7	PW300359	4, 8
PW300320	2	PW300360	4, 8
PW300321	2	PW300361	4, 8
PW300322	2	PW300362	4, 8
PW300323	2	PW300363	5, 8
PW300324	2, 7	PW300364	5, 8
PW300325	2, 7	PW300365	5, 8
PW300326	2	PW300366	5, 8
PW300327	2	PW300367	5, 8
PW300328	2, 8	PW300368	5, 7
PW300329	2	PW300369	5, 8
PW300330	2	PW300370	5, 7
PW300331	2, 7	PW300371	5, 7
PW300332	2, 8	PW300372	5, 7
PW300333	2, 8	PW300373	5, 7
PW300334	3, 7	PW300374	5, 7
PW300335	3, 7	PW300375	5, 7
PW300336	3, 8	PW300376	5, 7
		PW300377	5



PW300378 5, 7, 8
PW300379 6, 8
PW300380 6
PW300381 6
PW300382 6
PW300383 6
PW300384 6
PW300385 6
PW300386 6
PW300387 6, 7
PW300388 6, 7
PW300389 6