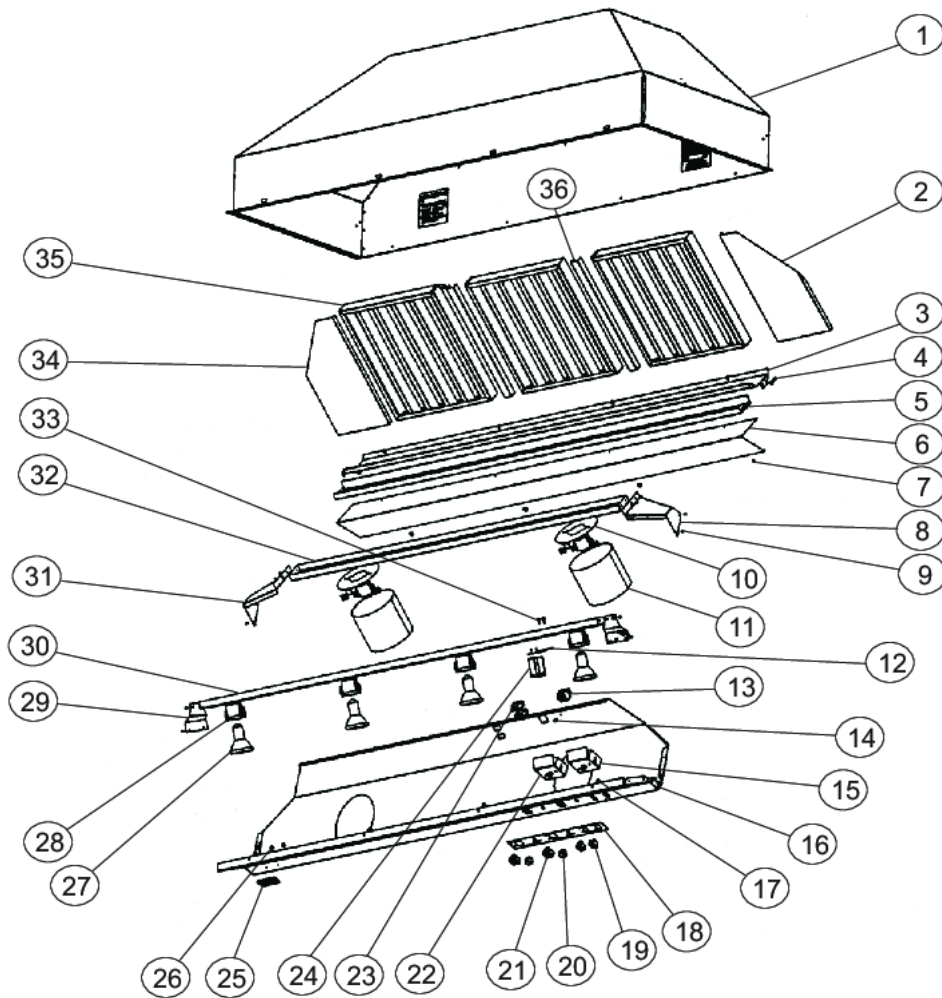


VBCV60381

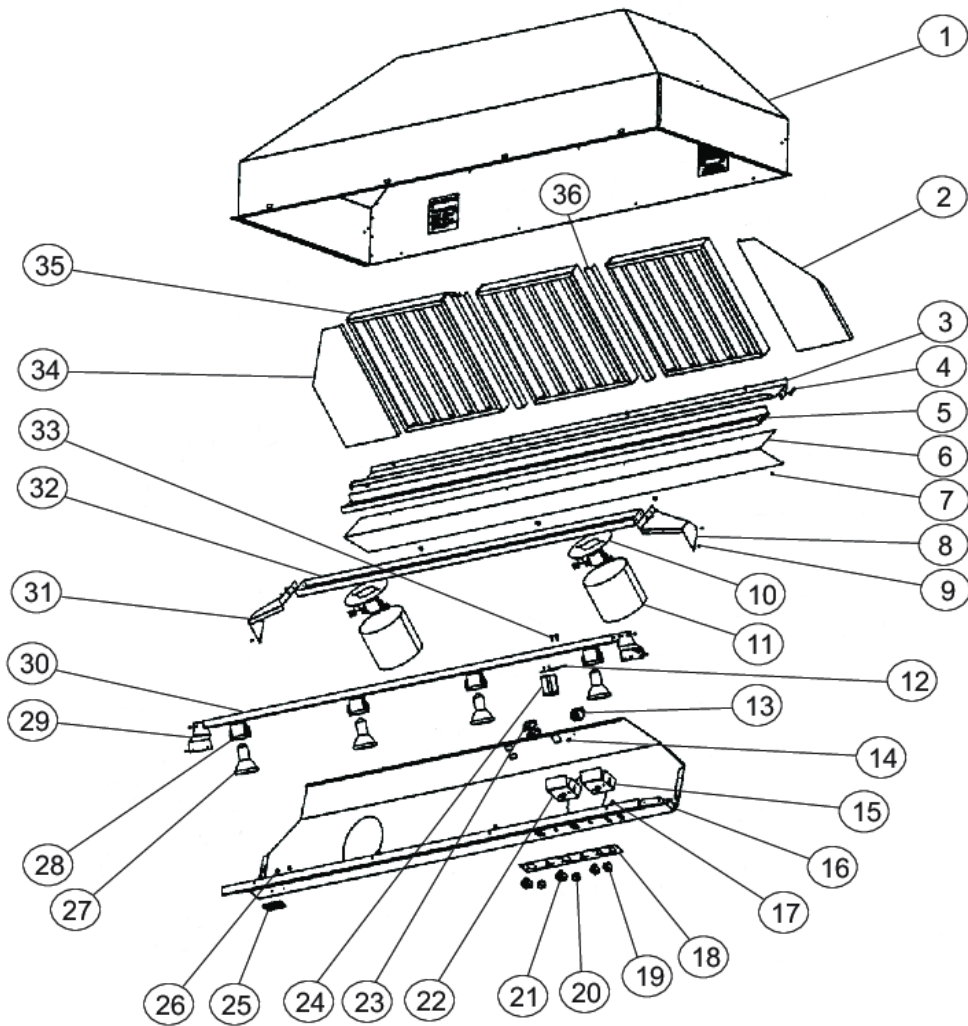
UNIT COMPONENTS	1
Appendix A:Pages Index	A
Appendix B:Parts Index	B

UNIT COMPONENTS





Item	Part No.	Name	Qty	Uom	NOTES
1	UNSERVICEABLE	CANOPY ASSEMBLY	1	EA	
2	B20012417	RH SIDE SPACER (VBCV60/6638)	1	EA	Not available online / Call for pricing and availability
3	B20011077	REAR FILTER SUPT TOP (VBCV60)	1	EA	NO LONGER AVAILABLE
4	PD020032	SRW-8(A)X3/8"PH.WFR HD 7/16DIA*NICL	4	EA	
5	B2003944	GREASE TROUGH (VWH6048/78)	1	EA	
6	B20011023	FILTER SUPPORT BOTTOM	1	EA	NO LONGER AVAILABLE
7	PD020087	10 X 1/2 PAN PH. TEK ZINC	16	EA	
8	A2009301	RH LIGHT SUPPORT TOP (VCWH)	1	EA	NO LONGER AVAILABLE, Not available online / Call for pricing and availability
9	PC040010	POP RIVET (.063/GR -.125) GAMD42-A	24	EA	
10	A2003889	COWLING BRKT	2	EA	Not available online / Call for pricing and availability
11	G31012427	HEAT LAMP COWLING ASSY	2	EA	
12	B2003837	HEAT SENSOR BRKT	1	EA	
13	PE070197	MALE SOCKET (3 PRONG)	1	EA	
14	PD020010	10 X 3/8 GREEN GROUNDING SCREW	1	EA	
15	062057-602	CNTRL, PRO FAN, 120VAC	1	EA	
16	B20011001	CONTROL PANEL (VBCV60)	1	EA	NO LONGER AVAILABLE
17	PD030010	#10-24 KEPS NUT ZINC PLATED	4	EA	
18	PE040134	CONTROL PANEL PLATE	1	EA	
19	PE050050	HEAT LAMP SWITCH (A111B1100000)	2	EA	
20	PA010071	LIGHT/MOTOR CONTROLLER KNOB	2	EA	
21	PE050048	FAN/LIGHT SWITCH (HOODS) EP0M11J	2	EA	
22	062057-601	CNTRL, PRO LIGHT, 120VAC	1	EA	





Item	Part No.	Name	Qty	Uom	NOTES
23	PE070196	FEMALE SOCKET (2 PRONG)	2	EA	
24	A2103810	THERMODISC BRACKET VWH/VIH	1	EA	
25	PE010165	VIKING CHROME PLATE LOGO	1	EA	
26	PD030006	CAPPED WASHER PAL NUT	2	EA	
27	PE050034	HALOGEN BULB 50W	4	EA	
28	013549-000	LIGHT SOCKET (125C LEADS)	4	EA	
29	A20011005	BOTTOM LIGHT SUPT BRKT (VWH/VBCV/VCWH)	2	EA	NO LONGER AVAILABLE, Not available online / Call for pricing and availability
30	A20011083	LIGHT SUPPORT	1	EA	
31	A2009300	LH LIGHT SUPPORT TOP (VCWH)	1	EA	
32	A2009307	LIGHT SUPPORT TOP (VCWH6048)	1	EA	NO LONGER AVAILABLE, Not available online / Call for pricing and availability
33	PD020087	10 X 1/2 PAN PH. TEK ZINC	4	EA	
34	B20012418	LH SIDE SPACER (VBCV60/6638)	1	EA	Not available online / Call for pricing and availability
35	G3104046	BAFFLE FILTER ASSY (18" HOODS) 13.375 X 14	3	EA	
36	B20012420	FILTER SPACER (VBCV6038)	2	EA	NO LONGER AVAILABLE, Not available online / Call for pricing and availability
NI	PE070380	WIRE HARNESS	1	EA	Not available online / Call for pricing and availability
NI	PE070204	HEYCO STRAIN RELIEF - 7-P2	1	EA	
NI	039680-000	CORD, PWR, SUPPLY, VNT HD	1	EA	
NI	019561-000	ENCLOSED JUNCTION BOX	1	EA	
NI	PJ030014	HEAT SENSOR (N.O.) 160 DEG.	1	EA	



Appendix A:Pages Index

UNIT COMPONENTS 1



Appendix B:Parts Index

013549-000 1

019561-000 1

039680-000 1

062057-601 1

062057-602 1

A20011005 1

A20011083 1

A2003889 1

A2009300 1

A2009301 1

A2009307 1

A2103810 1

B20011001 1

B20011023 1

B20011077 1

B20012417 1

B20012418 1

B20012420 1

B2003837 1

B2003944 1

G31012427 1

G3104046 1

PA010071 1

PC040010 1

PD020010 1

PD020032 1

PD020087 1, 1

PD030006 1

PD030010 1

PE010165 1

PE040134 1

PE050034 1

PE050048 1

PE050050 1

PE070196 1

PE070197 1

PE070204 1

PE070380 1

PJ030014 1