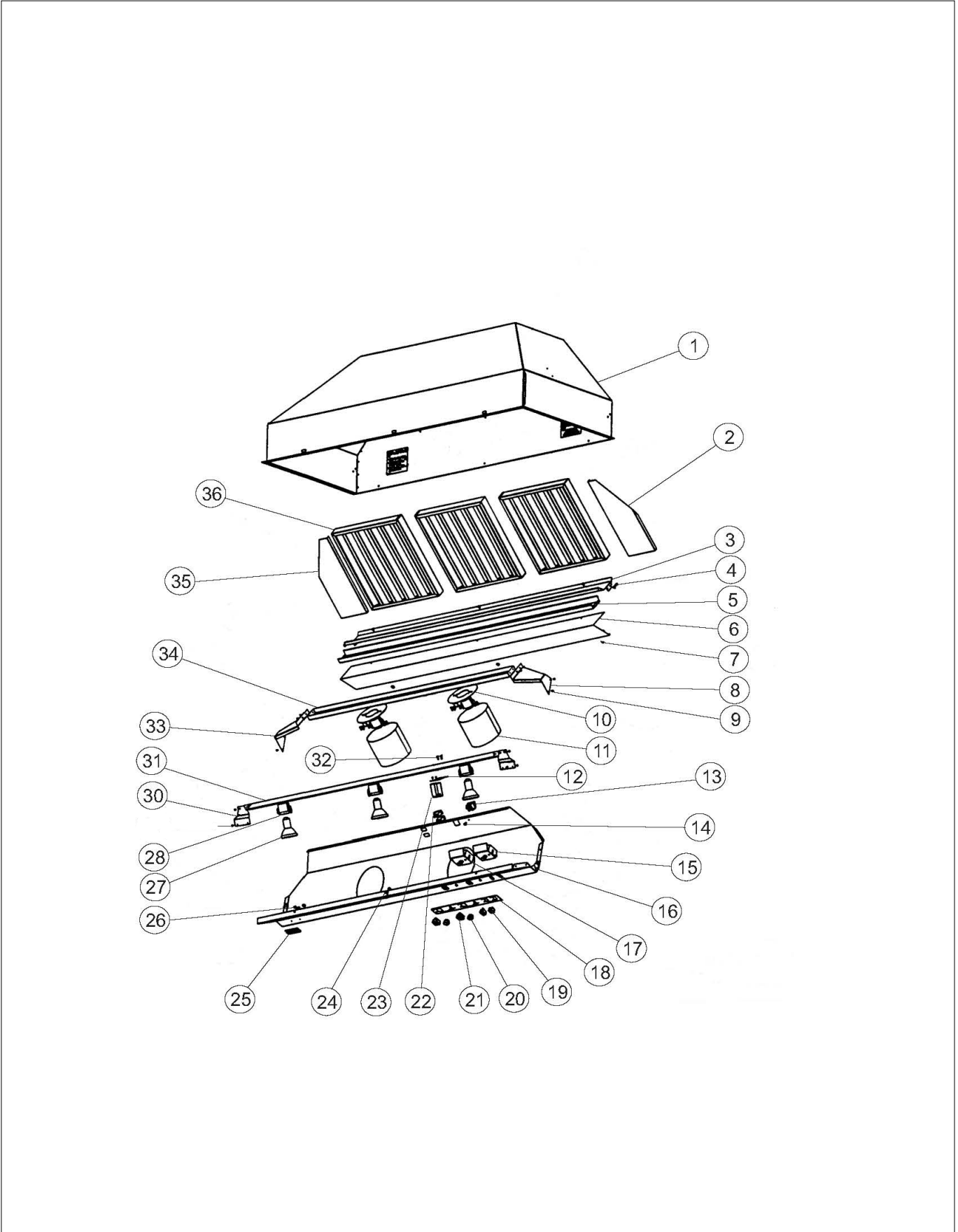


VBCV5438

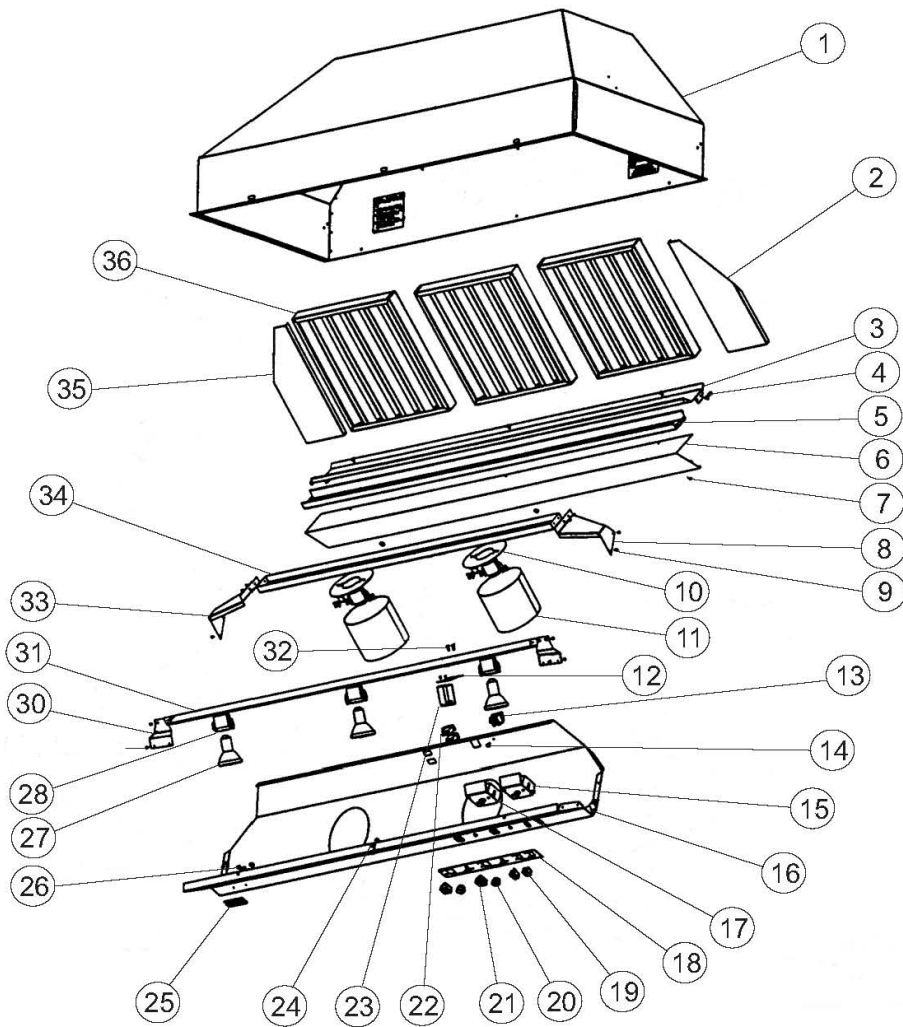
VBCV5438 Unit Components	1
Appendix A:Pages Index	A
Appendix B:Parts Index	B

VBCV5438 Unit Components





Item	Part No.	Name	Qty	Uom	NOTES
1	NONSERVICEABLE	CANOPY ASSEMBLY	1	EA	
2	B20011006	RH SIDE SPACER (VBCV48)	1	EA	
3	B20011076	REAR FILTER SUPT TOP (VBCV54)	1	EA	NO LONGER AVAILABLE, Not available online / Call for pricing and availability
4	PD020032	SRW-8(A)X3/8"PH.WFR HD 7/16DIA*NICL	7	EA	
5	B2003925	GREASE TROUGH (VWH5448/78/VIH54)	1	EA	
6	B20011022	FILTER SUPPORT BOTTOM	1	EA	NO LONGER AVAILABLE
7	PD020087	10 X 1/2 PAN PH. TEK ZINC	6	EA	
8	A2009301	RH LIGHT SUPPORT TOP (VCWH)	1	EA	NO LONGER AVAILABLE, Not available online / Call for pricing and availability
9	PC040010	POP RIVET (.063/GR -.125) GAMD42-A	26	EA	
10	A2003889	COWLING BRKT	2	EA	Not available online / Call for pricing and availability
11	G31012427	HEAT LAMP COWLING ASSY	2	EA	
12	B2003837	HEAT SENSOR BRKT	1	EA	
13	PE070197	MALE SOCKET (3 PRONG)	1	EA	
14	PD020010	10 X 3/8 GREEN GROUNDING SCREW	1	EA	
15	PE050156	PRO BLOWER CONTROL	1	EA	
16	B20010298	CONTROL PANEL (VBCV5438)	1	EA	NO LONGER AVAILABLE, Not available online / Call for pricing and availability
17	PE050141	PRO LIGHT CONTROL	1	EA	
18	PE040134	CONTROL PANEL PLATE	1	EA	
19	PE050050	HEAT LAMP SWITCH (A111B1100000)	2	EA	
20	PA010071	LIGHT/MOTOR CONTROLLER KNOB	2	EA	
21	PE050048	FAN/LIGHT SWITCH (HOODS) EP0M11J	2	EA	





Item	Part No.	Name	Qty	Uom	NOTES
22	PE070196	FEMALE SOCKET (2 PRONG)	2	EA	
23	A2103810	THERMODISC BRACKET VWH/VIH	1	EA	
24	PD030010	#10-24 KEPS NUT ZINC PLATED	3	EA	
25	PE010165	VIKING CHROME PLATE LOGO	1	EA	
26	PD030006	CAPPED WASHER PAL NUT	2	EA	
27	PE050034	HALOGEN BULB 50W	3	EA	
28	013549-000	LIGHT SOCKET (125C LEADS)	5	EA	
30	A20011005	BOTTOM LIGHT SUPT BRKT (VWH/VBCV/VCWH)	2	EA	NO LONGER AVAILABLE, Not available online / Call for pricing and availability
31	A20011082	BOTTOM LIGHT SUPT (VWH/VBCV/VCWH54)	1	EA	NO LONGER AVAILABLE, Not available online / Call for pricing and availability
32	PD020032	SRW-8(A)X3/8"PH.WFR HD 7/16DIA*NICL	4	EA	
33	A2009300	LH LIGHT SUPPORT TOP (VCWH)	1	EA	
34	A2009306	LIGHT SUPPORT TOP (VCWH5448)	1	EA	NO LONGER AVAILABLE, Not available online / Call for pricing and availability
35	B20011007	LH SIDE SPACER (VBCV48)	1	EA	
36	037516-000	BAFFLE, FILTER, ASM, W/HDL	3	EA	
NI	PE070367	VWH4848/78 - 5448/78 WIRING HARNES	1	EA	
NI	PE070204	HEYCO STRAIN RELIEF - 7-P2	1	EA	
NI	039680-000	CORD, PWR, SUPPLY, VNT HD	1	EA	
NI	019561-000	ENCLOSED JUNCTION BOX	1	EA	
NI	PJ030014	HEAT SENSOR (N.O.) 160 DEG.	1	EA	



Appendix A:Pages Index

VBCV5438 Unit Components 1



Appendix B:Parts Index

013549-000 1
019561-000 1
037516-000 1
039680-000 1
A20011005 1
A20011082 1
A2003889 1
A2009300 1
A2009301 1
A2009306 1
A2103810 1
B20010298 1
B20011006 1
B20011007 1
B20011022 1
B20011076 1
B2003837 1
B2003925 1
G31012427 1
PA010071 1
PC040010 1
PD020010 1
PD020032 1, 1
PD020087 1
PD030006 1
PD030010 1
PE010165 1
PE040134 1
PE050034 1
PE050048 1
PE050050 1
PE050141 1
PE050156 1
PE070196 1
PE070197 1
PE070204 1
PE070367 1
PJ030014 1