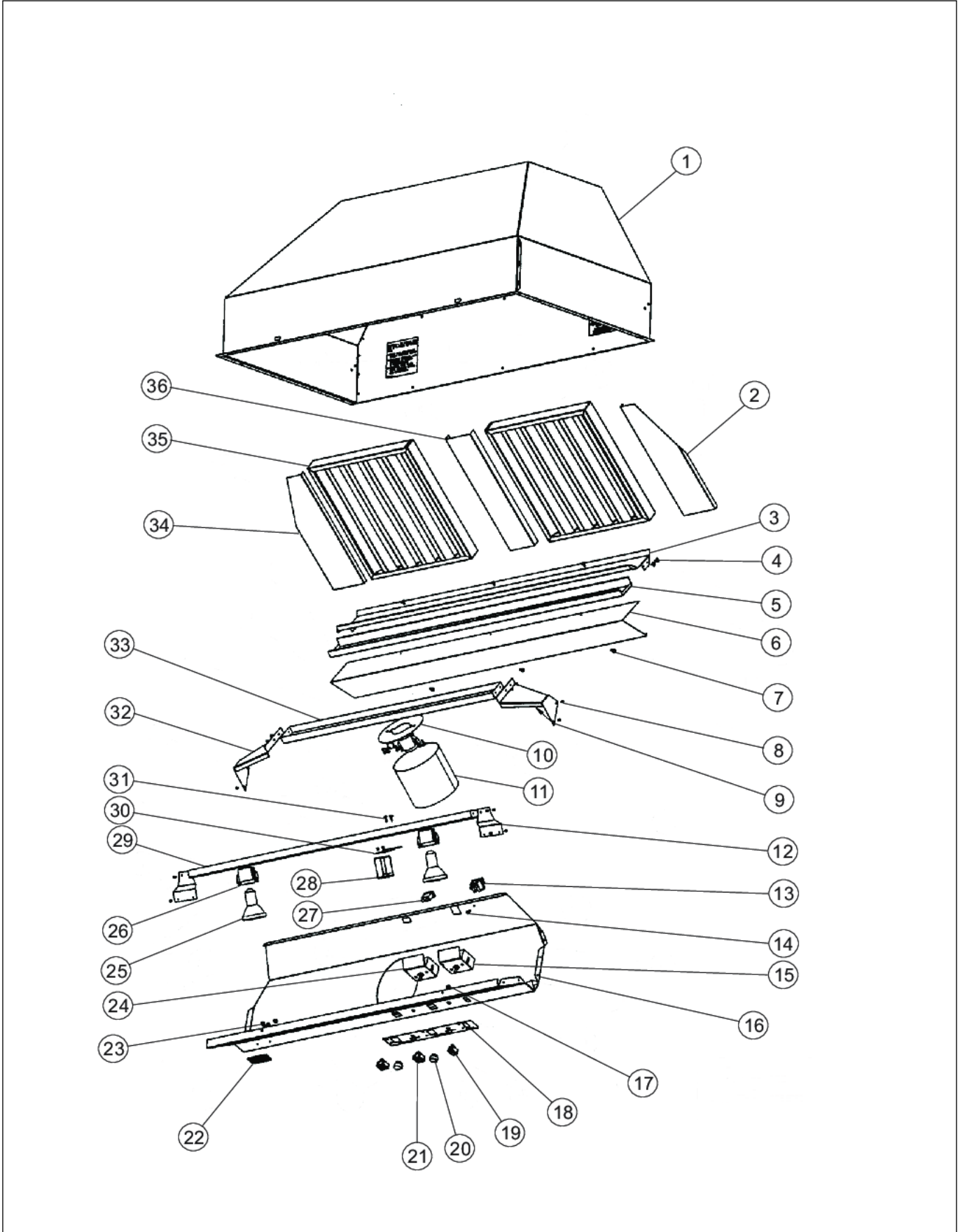


**VBCV42381**

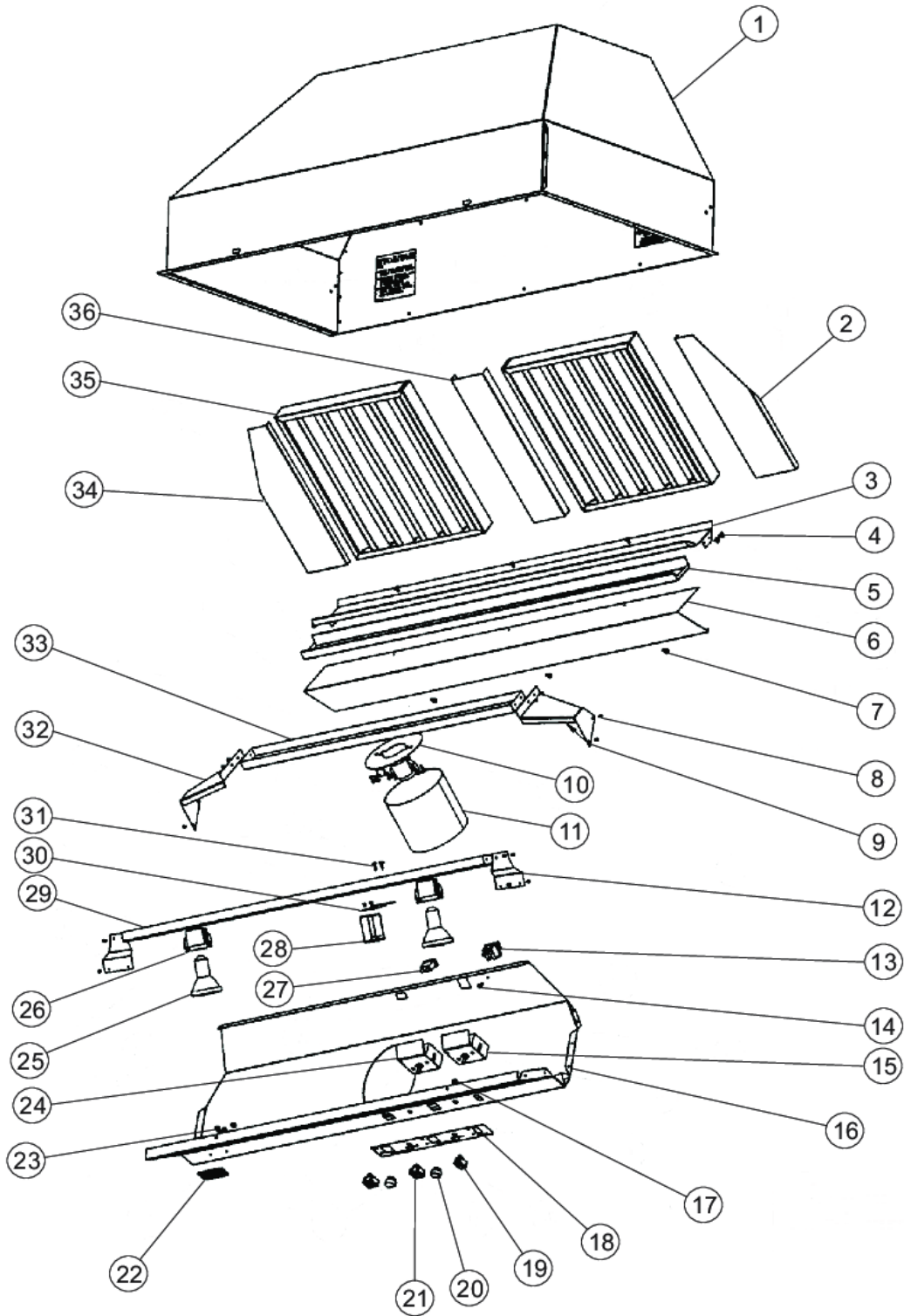
UNIT COMPONENTS .....	1
Appendix A:Pages Index .....	A
Appendix B:Parts Index .....	B



UNIT COMPONENTS



Item	Part No.	Name	Qty	Uom	NOTES
1	UNSERVICEABLE	CANOPY ASSEMBLY	1	EA	
2	B20012415	RH SIDE SPACER (VBCV4238)	1	EA	
3	B20011075	REAR FILTER SUPT TOP (VBCV42)	1	EA	NO LONGER AVAILABLE
4	PD020032	SRW-8(A)X3/8"PH.WFR HD 7/16DIA*NICL	8	EA	
5	B2003887	GREASE TROUGH (VWH4248)/78	1	EA	
6	B20011029	FILTER SUPPORT BTM (VCWH42)	1	EA	
7	PD020087	10 X 1/2 PAN PH. TEK ZINC	14	EA	
8	PC040010	POP RIVET (.063/GR -.125) GAMD42-A	10	EA	
9	A2009301	RH LIGHT SUPPORT TOP (VCWH)	1	EA	NO LONGER AVAILABLE, Not available online / Call for pricing and availability
10	A2003889	COWLING BRKT	1	EA	Not available online / Call for pricing and availability
11	G31012427	HEAT LAMP COWLING ASSY	1	EA	
12	A20011005	BOTTOM LIGHT SUPT BRKT (VWH/VBCV/VCWH)	2	EA	NO LONGER AVAILABLE, Not available online / Call for pricing and availability
13	PE070197	MALE SOCKET (3 PRONG)	1	EA	
14	PD020010	10 X 3/8 GREEN GROUNDING SCREW	1	EA	
15	062057-602	CNTRL, PRO FAN, 120VAC	1	EA	
16	B20010297	CONTROL PANEL (VBCV42)	1	EA	NO LONGER AVAILABLE
17	PD030010	#10-24 KEPS NUT ZINC PLATED	2	EA	
18	PE040133	CONTROL PANEL PLATE	1	EA	
19	PE050050	HEAT LAMP SWITCH (A111B1100000)	1	EA	
20	PA010071	LIGHT/MOTOR CONTROLLER KNOB	2	EA	
21	PE050048	FAN/LIGHT SWITCH (HOODS) EP0M11J	2	EA	
22	PE010165	VIKING CHROME PLATE LOGO	1	EA	





Item	Part No.	Name	Qty	Uom	NOTES
23	PD030006	CAPPED WASHER PAL NUT	2	EA	
24	062057-601	CNTRL, PRO LIGHT, 120VAC	1	EA	
25	PE050034	HALOGEN BULB 50W	2	EA	
26	013549-000	LIGHT SOCKET (125C LEADS)	2	EA	
27	PE070196	FEMALE SOCKET (2 PRONG)	1	EA	
28	A2103810	THERMODISC BRACKET VWH/VIH	1	EA	
29	A20011081	BOTTOM LIGHT SUPT (VWH/VBCV/VCWH42)	1	EA	NO LONGER AVAILABLE, Not available online / Call for pricing and availability
30	B2003837	HEAT SENSOR BRKT	1	EA	
31	PD020087	10 X 1/2 PAN PH. TEK ZINC	2	EA	
32	A2009300	LH LIGHT SUPPORT TOP (VCWH)	1	EA	
33	A2009304	LIGHT SUPPORT TOP (VCWH4248)	1	EA	NO LONGER AVAILABLE, Not available online / Call for pricing and availability
34	B20012416	LH SIDE SPACER (VBCV4238)	1	EA	Not available online / Call for pricing and availability
35	G3104046	BAFFLE FILTER ASSY (18" HOODS) 13.375 X 14	2	EA	
36	B2008746	FILTER SPACER (VCWH4248) 3.3 X 14	1	EA	
NI	PE070366	WIRE HARNESS	1	EA	
NI	PJ030014	HEAT SENSOR (N.O.) 160 DEG.	1	EA	
NI	PE070204	HEYCO STRAIN RELIEF - 7-P2	1	EA	
NI	039680-000	CORD, PWR, SUPPLY, VNT HD	1	EA	
NI	019561-000	ENCLOSED JUNCTION BOX	1	EA	



Appendix A:Pages Index

UNIT COMPONENTS ..... 1





Appendix B:Parts Index

013549-000 ..... 1  
019561-000 ..... 1  
039680-000 ..... 1  
062057-601 ..... 1  
062057-602 ..... 1  
A20011005 ..... 1  
A20011081 ..... 1  
A2003889 ..... 1  
A2009300 ..... 1  
A2009301 ..... 1  
A2009304 ..... 1  
A2103810 ..... 1  
B20010297 ..... 1  
B20011029 ..... 1  
B20011075 ..... 1  
B20012415 ..... 1  
B20012416 ..... 1  
B2003837 ..... 1  
B2003887 ..... 1  
B2008746 ..... 1  
G31012427 ..... 1  
G3104046 ..... 1  
PA010071 ..... 1  
PC040010 ..... 1  
PD020010 ..... 1  
PD020032 ..... 1  
PD020087 ..... 1, 1  
PD030006 ..... 1  
PD030010 ..... 1  
PE010165 ..... 1  
PE040133 ..... 1  
PE050034 ..... 1  
PE050048 ..... 1  
PE050050 ..... 1  
PE070196 ..... 1  
PE070197 ..... 1  
PE070204 ..... 1  
PE070366 ..... 1  
PJ030014 ..... 1