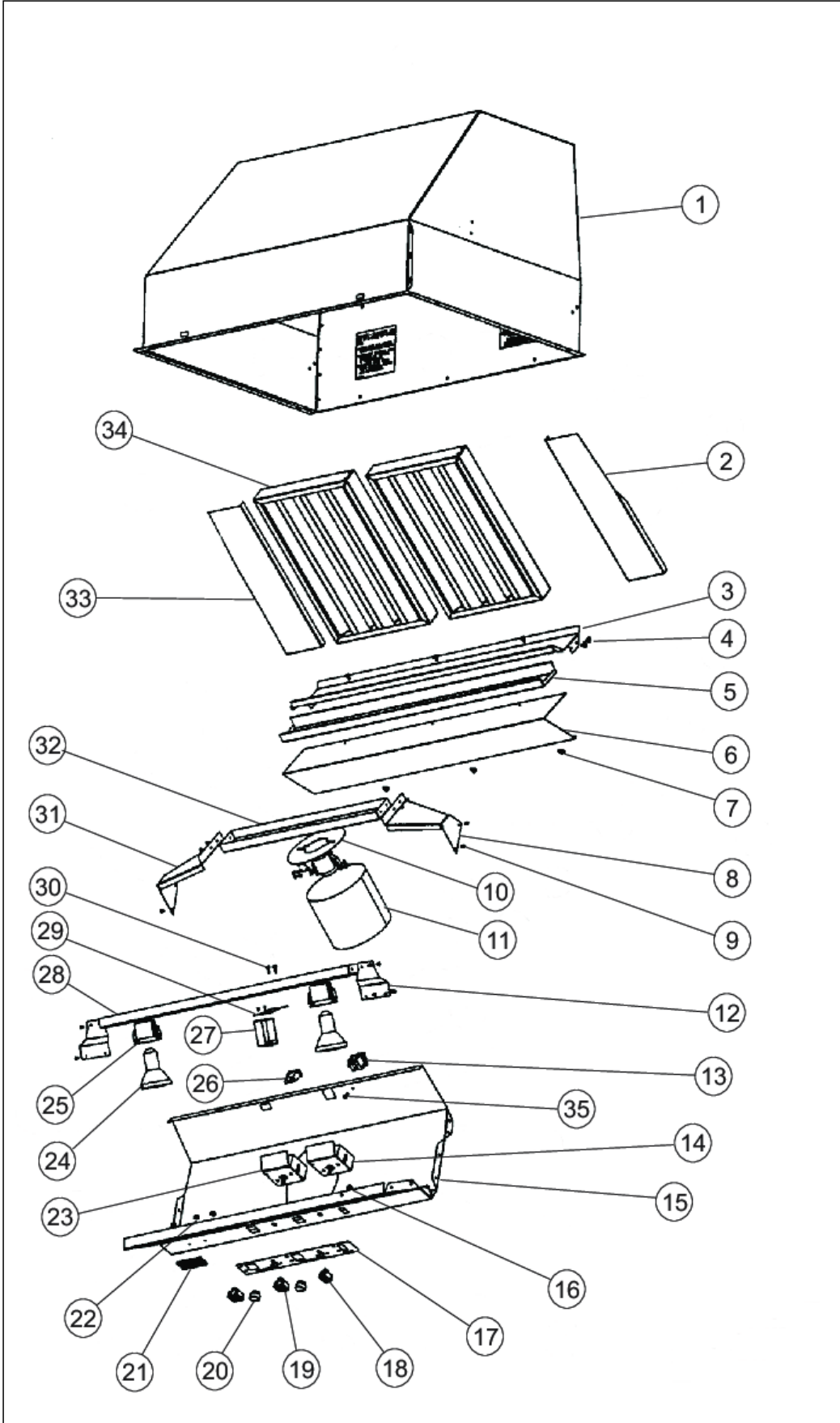


**VBCV36381**

UNIT COMPONENTS .....	1
Appendix A:Pages Index .....	A
Appendix B:Parts Index .....	B

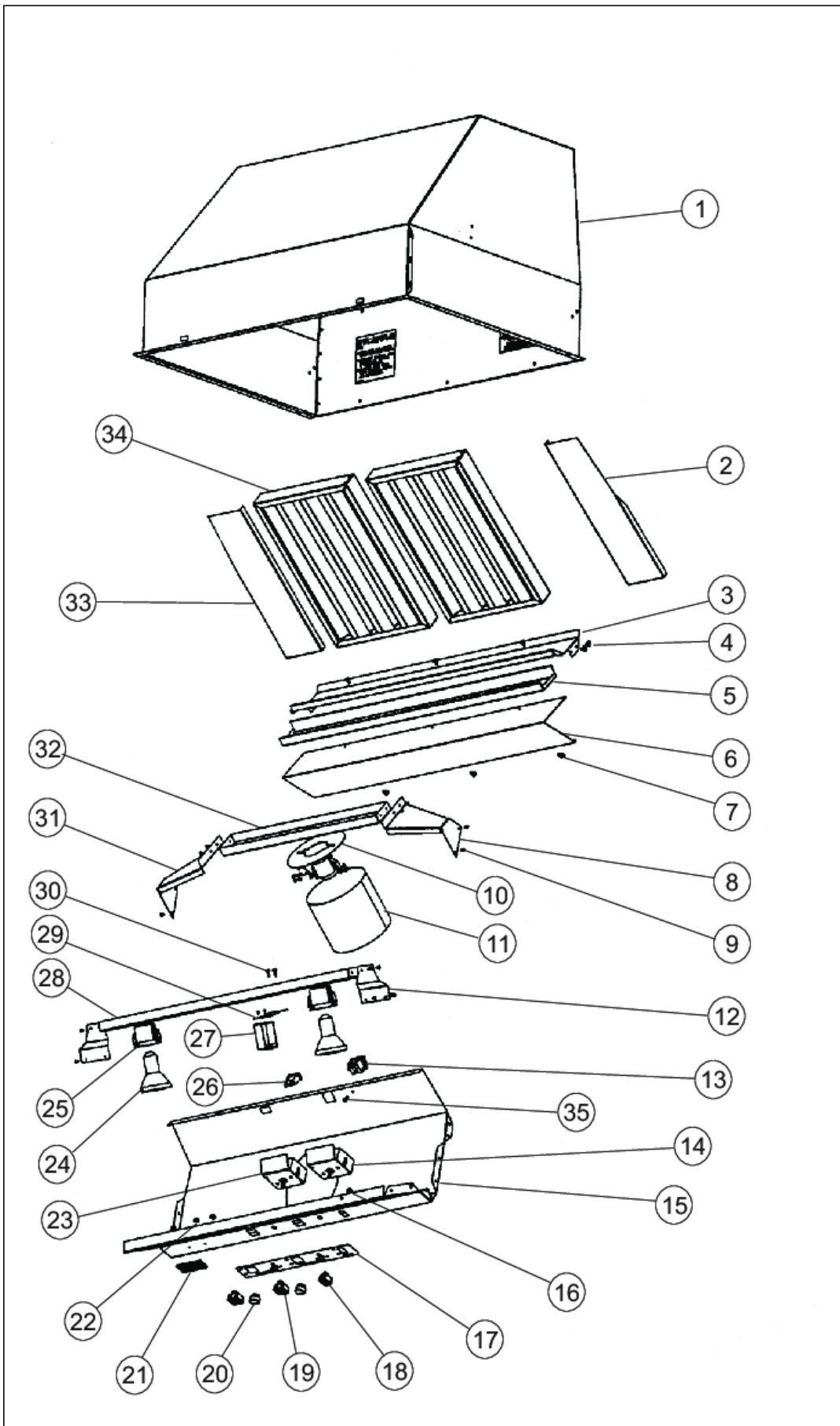


UNIT COMPONENTS





Item	Part No.	Name	Qty	Uom	NOTES
1	UNSERVICEABLE	CANOPY ASSEMBLY	1	EA	
2	B2009383	RH SIDE SPACER (VBCV36)	1	EA	
3	B20011074	REAR FILTER SUPT TOP (VBCV36)	1	EA	NO LONGER AVAILABLE, Not available online / Call for pricing and availability
4	PD020032	SRW-8(A)X3/8"PH.WFR HD 7/16DIA*NICL	4	EA	
5	B2003868	GREASE TROUGH (VWH3648/78/VIH36)	1	EA	
6	B20011042	REAR FILTER SUPT BOTTOM (VBCV36)	1	EA	
7	PD020032	SRW-8(A)X3/8"PH.WFR HD 7/16DIA*NICL	6	EA	
8	A2009301	RH LIGHT SUPPORT TOP (VCWH)	1	EA	NO LONGER AVAILABLE, Not available online / Call for pricing and availability
9	PC040010	POP RIVET (.063/GR -.125) GAMD42-A	20	EA	
10	A2003889	COWLING BRKT	1	EA	Not available online / Call for pricing and availability
11	G31012427	HEAT LAMP COWLING ASSY	1	EA	
12	A20011005	BOTTOM LIGHT SUPT BRKT (VWH/VBCV/VCWH)	1	EA	NO LONGER AVAILABLE, Not available online / Call for pricing and availability
13	PE070197	MALE SOCKET (3 PRONG)	1	EA	
14	062057-602	CNTRL, PRO FAN, 120VAC	1	EA	
15	B20010288	CONTROL PANEL (VBCV36)	1	EA	NO LONGER AVAILABLE
16	PD030010	#10-24 KEPS NUT ZINC PLATED	2	EA	
17	PE040133	CONTROL PANEL PLATE	1	EA	
18	PE050050	HEAT LAMP SWITCH (A111B1100000)	1	EA	
19	PE050048	FAN/LIGHT SWITCH (HOODS) EP0M11J	2	EA	
20	PA010071	LIGHT/MOTOR CONTROLLER KNOB	1	EA	





Item	Part No.	Name	Qty	Uom	NOTES
21	PE010165	VIKING CHROME PLATE LOGO	1	EA	
22	PD030006	CAPPED WASHER PAL NUT	2	EA	
23	062057-601	CNTRL, PRO LIGHT, 120VAC	1	EA	
24	PE050034	HALOGEN BULB 50W	2	EA	
25	013549-000	LIGHT SOCKET (125C LEADS)	2	EA	
26	PE070196	FEMALE SOCKET (2 PRONG)	1	EA	
27	B2003837	HEAT SENSOR BRKT	1	EA	
28	A20011080	BOTTOM LIGHT SUPT (VWH/VBCV/VCWH36)	1	EA	NO LONGER AVAILABLE, Not available online / Call for pricing and availability
29	A2103810	THERMODISC BRACKET VWH/VIH	1	EA	
30	PD020087	10 X 1/2 PAN PH. TEK ZINC	10	EA	
31	A2009300	LH LIGHT SUPPORT TOP (VCWH)	1	EA	
32	A2009303	LIGHT SUPPORT TOP (VCWH3648)	1	EA	NO LONGER AVAILABLE, Not available online / Call for pricing and availability
33	B2009384	LH SIDE SPACER (VBCV36)	1	EA	
34	G3104046	BAFFLE FILTER ASSY (18" HOODS) 13.375 X 14	1	EA	
35	PD020010	10 X 3/8 GREEN GROUNDING SCREW	1	EA	
NI	PE070366	WIRE HARNESS	1	EA	
NI	PE070204	HEYCO STRAIN RELIEF - 7-P2	1	EA	
NI	039680-000	CORD, PWR, SUPPLY, VNT HD	1	EA	
NI	019561-000	ENCLOSED JUNCTION BOX	1	EA	



Appendix A:Pages Index

UNIT COMPONENTS ..... 1





Appendix B:Parts Index

013549-000 ..... 1

019561-000 ..... 1

039680-000 ..... 1

062057-601 ..... 1

062057-602 ..... 1

A20011005 ..... 1

A20011080 ..... 1

A2003889 ..... 1

A2009300 ..... 1

A2009301 ..... 1

A2009303 ..... 1

A2103810 ..... 1

B20010288 ..... 1

B20011042 ..... 1

B20011074 ..... 1

B2003837 ..... 1

B2003868 ..... 1

B2009383 ..... 1

B2009384 ..... 1

G31012427 ..... 1

G3104046 ..... 1

PA010071 ..... 1

PC040010 ..... 1

PD020010 ..... 1

PD020032 ..... 1, 1

PD020087 ..... 1

PD030006 ..... 1

PD030010 ..... 1

PE010165 ..... 1

PE040133 ..... 1

PE050034 ..... 1

PE050048 ..... 1

PE050050 ..... 1

PE070196 ..... 1

PE070197 ..... 1

PE070204 ..... 1

PE070366 ..... 1