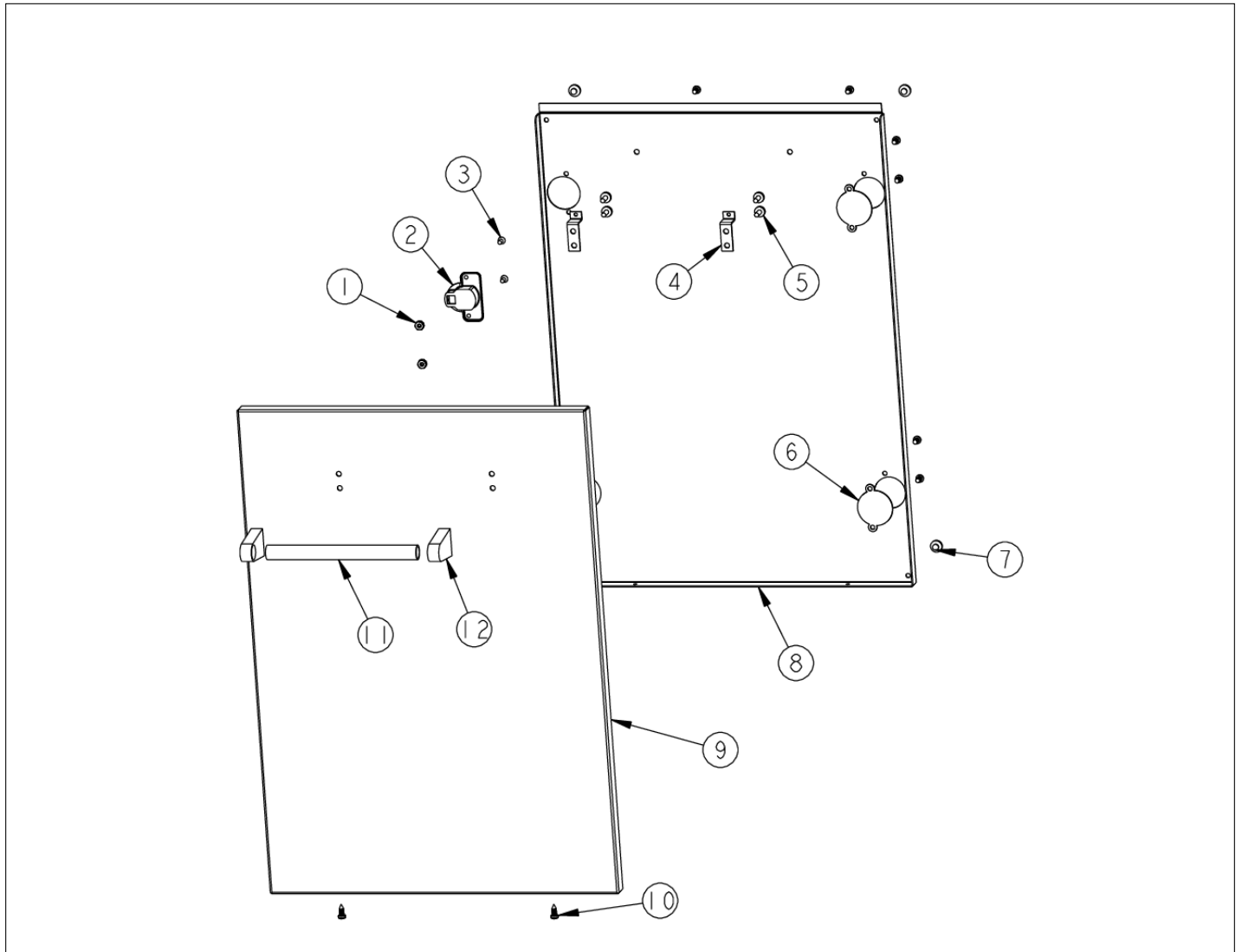


VBBO1601

DOOR ASSEMBLY	1
LOWER UNIT AREA	2
MAIN CABINET AREA	3
Appendix A:Pages Index	A
Appendix B:Parts Index	B

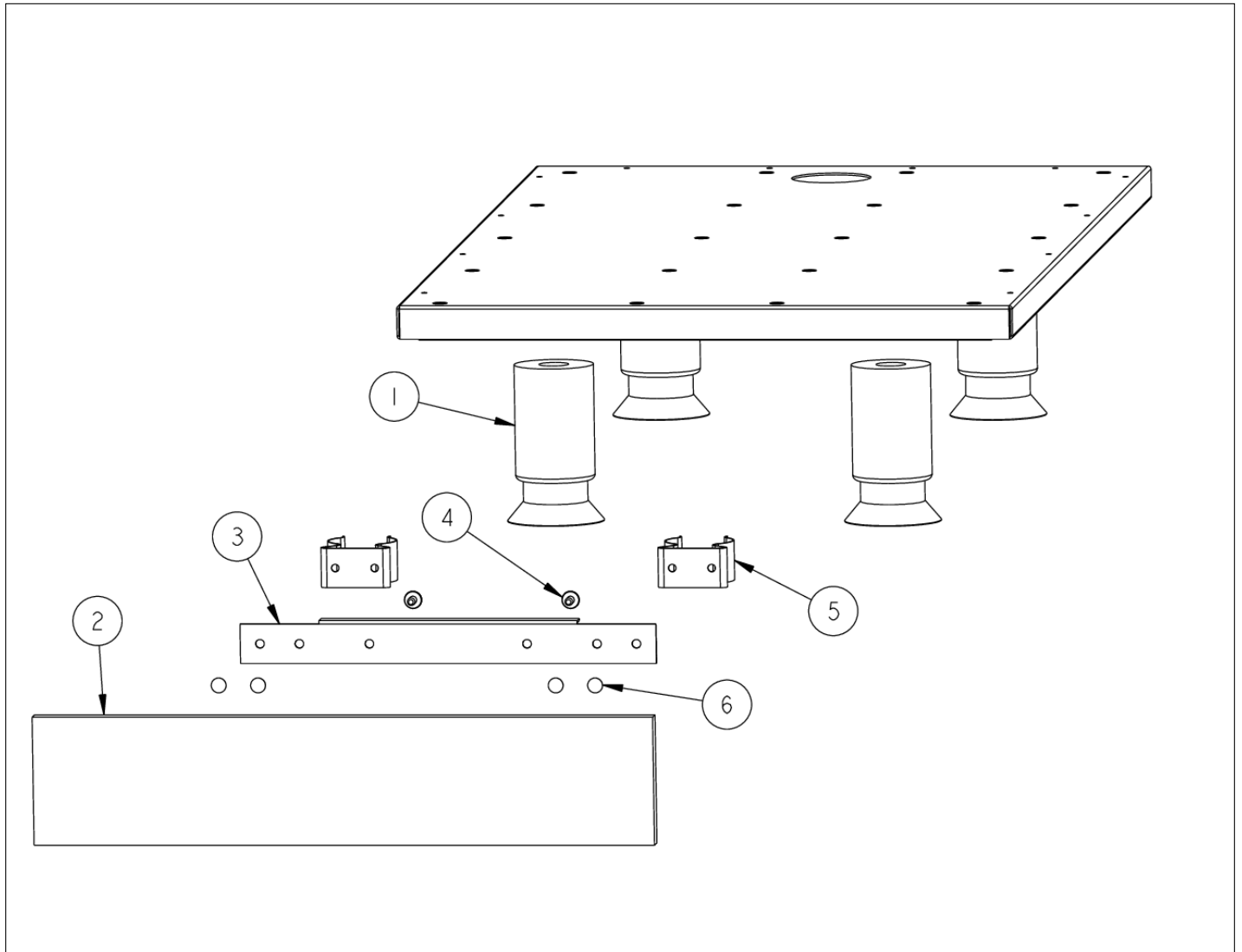
DOOR ASSEMBLY





Item	Part No.	Name	Qty	Uom	NOTES
1	PD030098	8-32 HEX KEP NUT S.S.	1	EA	
2	PC020172	DOOR HINGE (BBQ)	1	EA	
3	PD020119	8-32X3/8 PH CTR. MACH.SCREW S.S.	1	EA	
4	B20013950	HANDLE BRACKET (VBO/VTPO18)	1	EA	
5	PD020056	' #10-24 X 1/2" PH.TR. M.S. *SS*	1	EA	
6	B10014818	HINGE HOLE COVER (CABINET DOOR)	1	EA	NO LONGER AVAILABLE, Not available online / Call for pricing and availability
7	PD040004	GROMMET BUMPER	1	EA	
8	B20014664	INNER DOOR PANEL (VBBO1601)	1	EA	NO LONGER AVAILABLE, Not available online / Call for pricing and availability
9	B30014663	O/S DOOR PANEL (VBBO1601)	1	EA	NO LONGER AVAILABLE
10	PD020120	8 X 1/2 TEK SHEET METAL SCREW	1	EA	
11	PE030189	CABINET HANDLE	1	EA	
12	PE030187	HANDLE END CAP *CHROME* OUTDOOR CABINET	1	EA	
NI	G32014665SS	DOOR ASSEMBLY (VBBO1601)	1	EA	Not available online / Call for pricing and availability

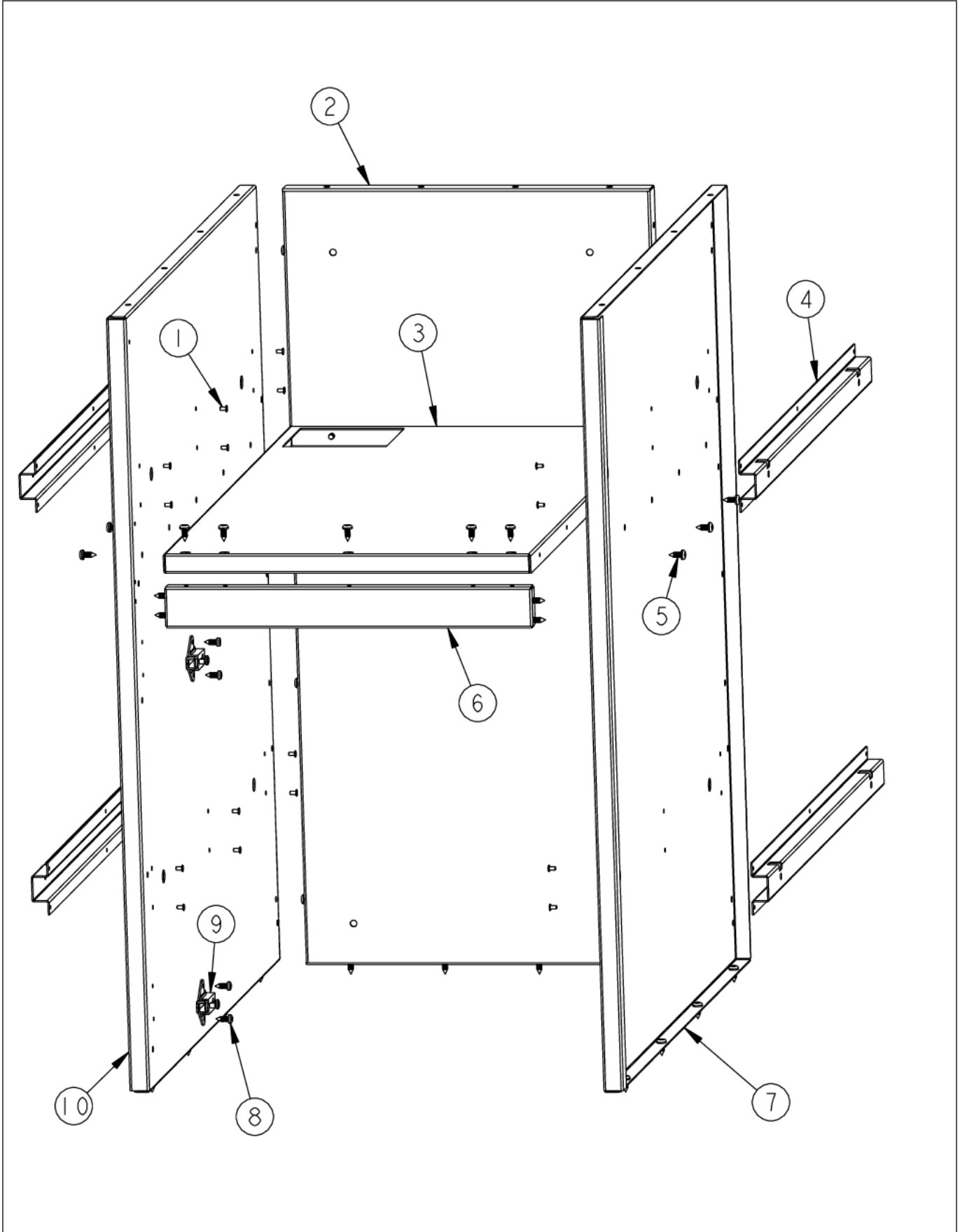
LOWER UNIT AREA





Item	Part No.	Name	Qty	Uom	NOTES
1	PC030017	4" LEG ASSY	1	EA	
2	PK030481	16" KICK PLATE (VBP16) 15.750" X 3.250"	1	EA	
3	A20014680	16" KICK PLATE MOUNT BRKT	1	EA	
4	PD020002	10 X 1/2 PH.TR.HD.SMS.	1	EA	
5	PD030002	LOWER ACC PAN SPRING CLAMP (SYWE1)	1	EA	
6	PC040003	POP RIVET - SB64 3/16"DIA.X 3/8"	1	EA	
NI	G32014838	16" KICK PLATE ASSY	1	EA	NO LONGER AVAILABLE
Not Shown	NOTE	(INCLUDES ITEMS #2 THROUGH #6)		EA	

MAIN CABINET AREA





Item	Part No.	Name	Qty	Uom	NOTES
1	PC040014	POP RIVOT-SS42 *SS*	1	EA	
2	B20014661	16" REAR PANEL	1	EA	NO LONGER AVAILABLE
3	B20014662	TOP (VBBO1601)	1	EA	NO LONGER AVAILABLE, Not available online / Call for pricing and availability
4	A20013956	MOUNT BRACKET (CABINETS)	1	EA	
5	PD020055	' #10 X 1/2" PAN PHIL. TEK.*SS*	1	EA	
6	B20014666	16 TOP SUPPORT (VBBO1601)	1	EA	NO LONGER AVAILABLE, Not available online / Call for pricing and availability
7	B20014659	RH I/S SIDE (VKBO/VBBO)	1	EA	NO LONGER AVAILABLE
8	PD020120	8 X 1/2 TEK SHEET METAL SCREW	1	EA	
9	PC020173	DOOR HINGE RECEIVER (BBQ)	1	EA	
10	B20013937	LH I/S SIDE (VQBO3021)	1	EA	NO LONGER AVAILABLE



Appendix A:Pages Index

DOOR ASSEMBLY	1
LOWER UNIT AREA	2
MAIN CABINET AREA	3



Appendix B:Parts Index

A20013956	3
A20014680	2
B10014818	1
B20013937	3
B20013950	1
B20014659	3
B20014661	3
B20014662	3
B20014664	1
B20014666	3
B30014663	1
G32014665SS	1
G32014838	2
PC020172	1
PC020173	3
PC030017	2
PC040003	2
PC040014	3
PD020002	2
PD020055	3
PD020056	1
PD020119	1
PD020120	1, 3
PD030002	2
PD030098	1
PD040004	1
PE030187	1
PE030189	1
PK030481	2