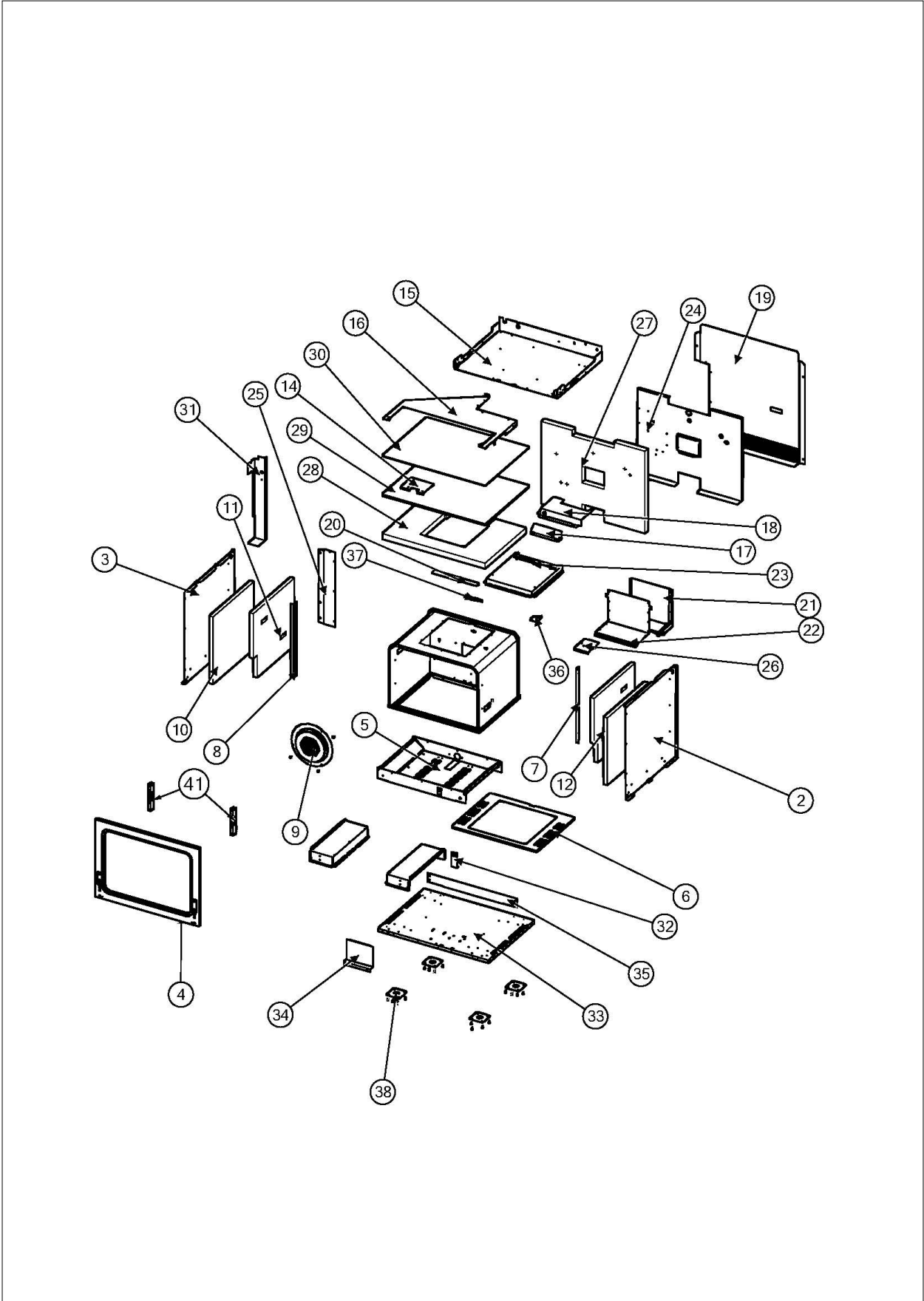


**RVGR3305B**

BASE .....	1
SURFACE .....	2
GAS .....	3
DECOR .....	4
CONTROL .....	5
DOOR .....	6
ELECTRICAL .....	7
Appendix A:Pages Index .....	A
Appendix B:Parts Index .....	B

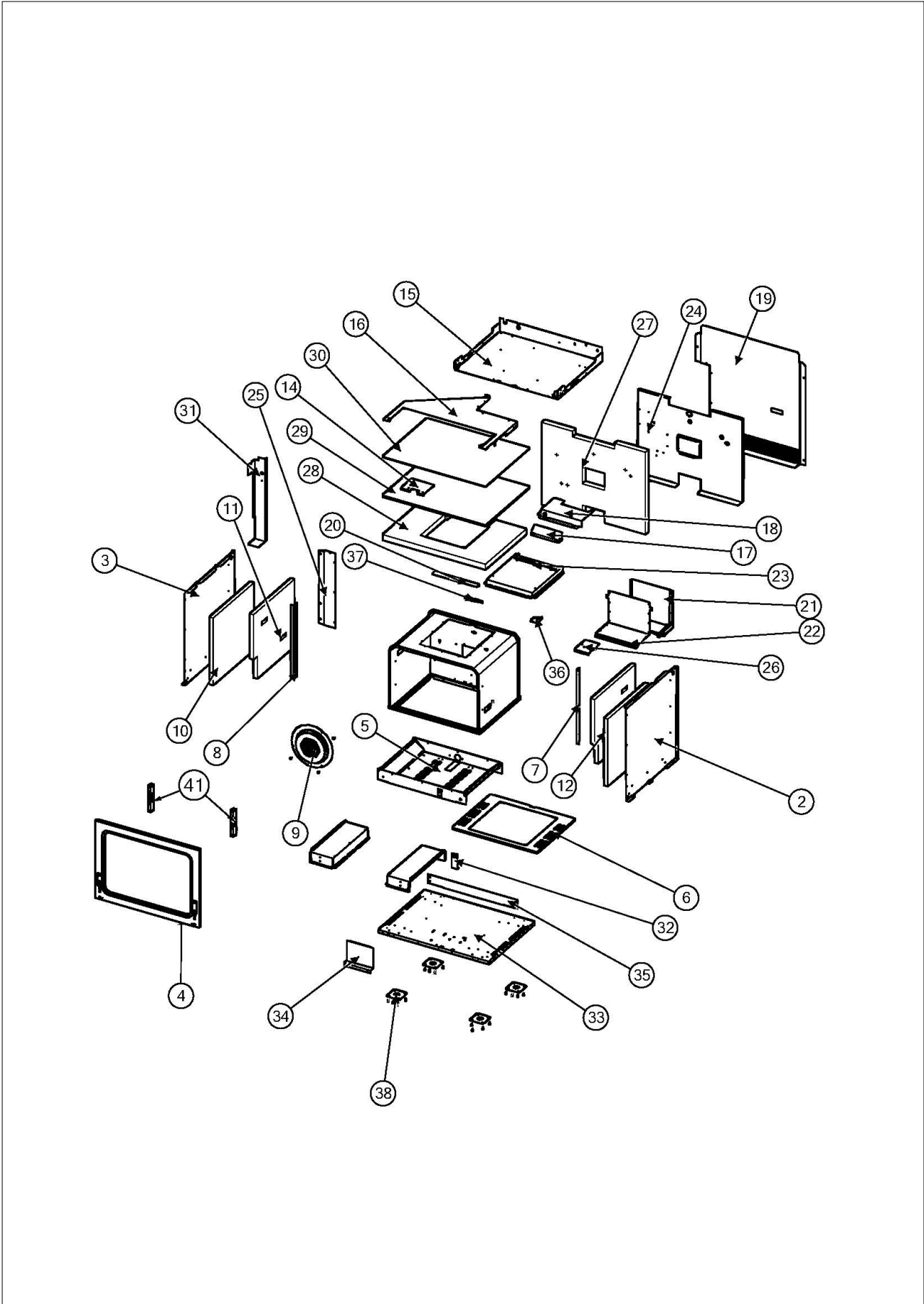


BASE





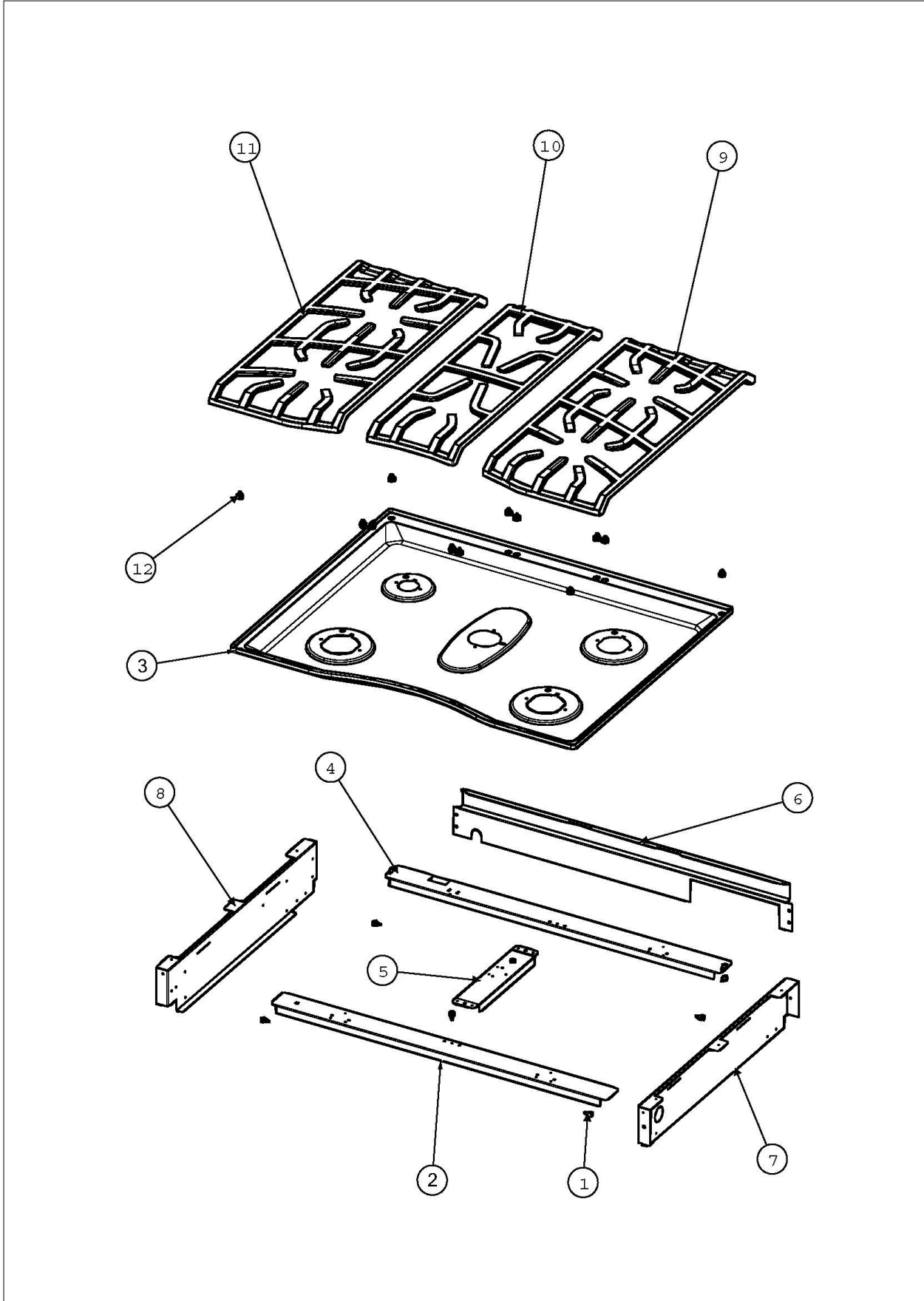
Item	Part No.	Name	Qty	Uom	NOTES
1	003860-000	FASTENER,SCR,HXWH,STL,ZP LT,10-18 x .500	101	EA	
2	013659-000	INSULATION, PNL, SIDE, RH	1	EA	
3	013660-000	INSULATION, PNL, SIDE, LH	1	EA	
4	014502-000	FRONT, FRAME, DCCG130	1	EA	
5	014748-402	BURNER PAN ASM, BK PORC	1	EA	Not available online / Call for pricing and availability
6	066203-000	ASM, BOTTOM. CAVITY, OVEN, GAS, 30"	1	EA	
7	019175-000	BRACKET, SIDE, RH	1	EA	
8	019176-000	BRACKET, SIDE, LH	1	EA	
9	021225-402	COVER, CNVN, ASM, BK PORC	1	EA	
9	021225-403	COVER, CNVN, ASM, GY PORC	1	EA	
10	023578-000	INSULATION, SIDE, OUTER	2	EA	Not available online / Call for pricing and availability
11	023579-000	INSULATION, SIDE, LEFT	1	EA	
12	023580-000	INSULATION, SIDE, RIGHT	1	EA	
13	066225-402	SUPPORT, RACK D3	1	EA	
14	030985-000	LATCH MOUNT	1	EA	
15	031014-000	RETAINER, TOP INSULATION, RDSCG, 30"	1	EA	Not available online / Call for pricing and availability
16	031015-000	AIR DUCT, D3	1	EA	
17	031030-000	FAN DEFLECTOR	1	EA	
18	031034-000	COVER, FAN	1	EA	
19	031320-000	BACK, OVEN, D3	1	EA	
20	031445-402	BRACE, OVEN, BOTTOM, BACK W/BK PORC	1	EA	
21	031673-000	BOTTOM, GAS DUCT, D3	1	EA	
22	031674-000	TOP, GAS DUCT, D3	1	EA	
23	031678-000	BROIL BURNER BOX, D3	1	EA	
24	031777-000	PANEL, BACK INSULATION	1	EA	Not available online / Call for pricing and availability





Item	Part No.	Name	Qty	Uom	NOTES
25	031831-000	ACCESS COVER, REGULATOR	1	EA	
26	033198-000	TRAY, REGULATOR	1	EA	
27	033583-000	INSULATION, BACK, D3, 30"	1	EA	
28	033585-000	INSULATION, TOP	1	EA	Not available online / Call for pricing and availability
29	033586-000	INSULATION, TOP PAD	1	EA	Not available online / Call for pricing and availability
30	033588-000	INSULATION, TOP FOIL BACK	1	EA	
31	035230-000	BACK SUPPORT BRACKET	1	EA	
32	035322-000	BRACKET, ORIFICE, BAKE, D3	1	EA	
33	040971-000	BOTTOM, MAIN, 30"	1	EA	
34	042133-000	SHIELD, HEAT, FR	1	EA	
35	042178-000	SHIELD, HEAT, REAR	1	EA	
36	A20012649	DOOR SWITCH BRACKET	1	EA	
37	A2004428	REAR BOTTOM BRCKT (VGSC306)	1	EA	
38	PC030007	LEG PLATE - 3/4" THREADED HOLE	4	EA	
39	PD020048	NO.10 X 1/2 TEK 410 SS SCREW	46	EA	
40	PD020232	NO.8 X 3/4 PH PAN HEAD TEK SCREW (BLACK OXIDE)	3	EA	
41	031679-000	RECEPTACLE, HINGE	2	EA	
NI	049133-000	BRACE, FRONT, BURNER BOX	1	EA	

SURFACE

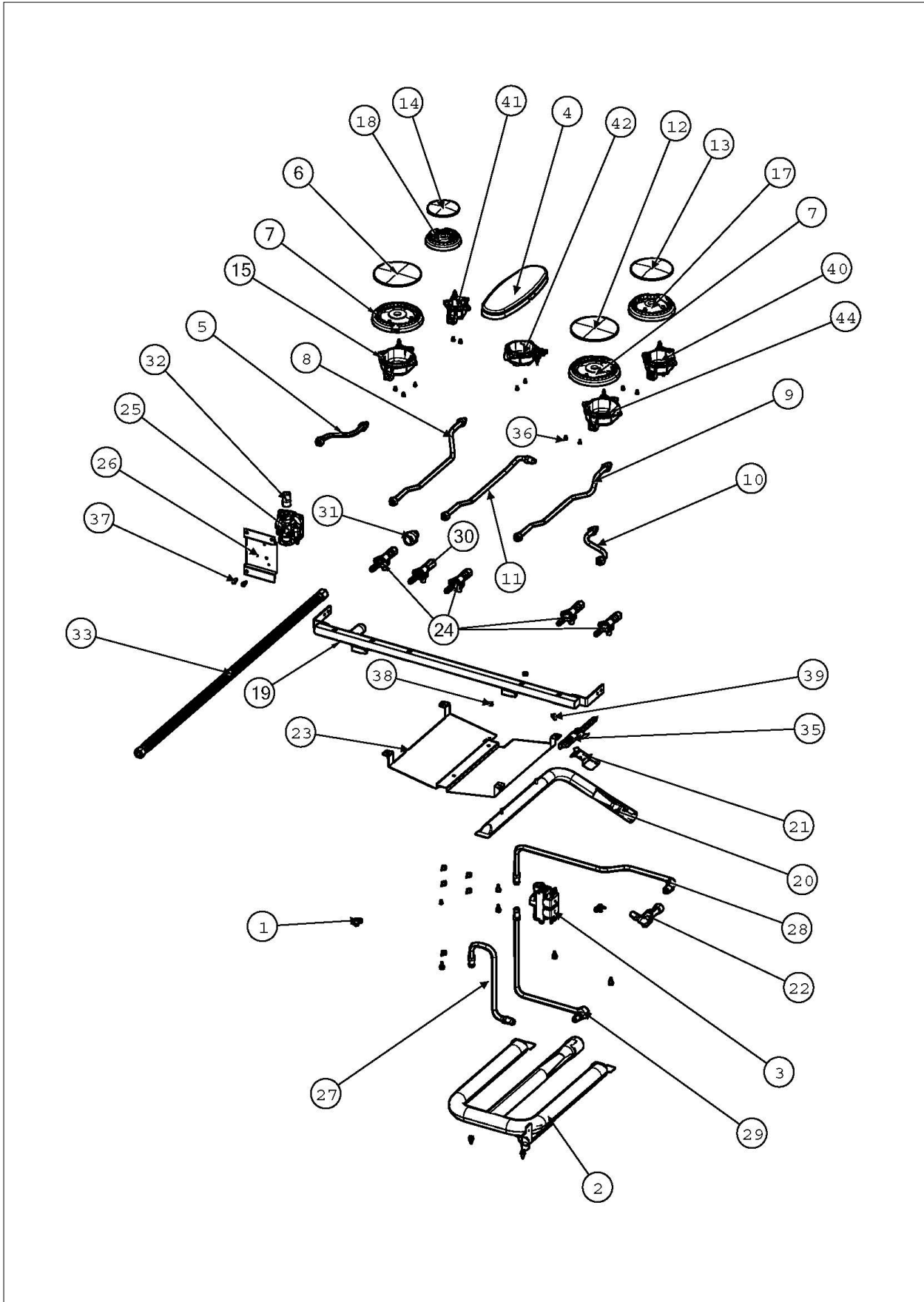






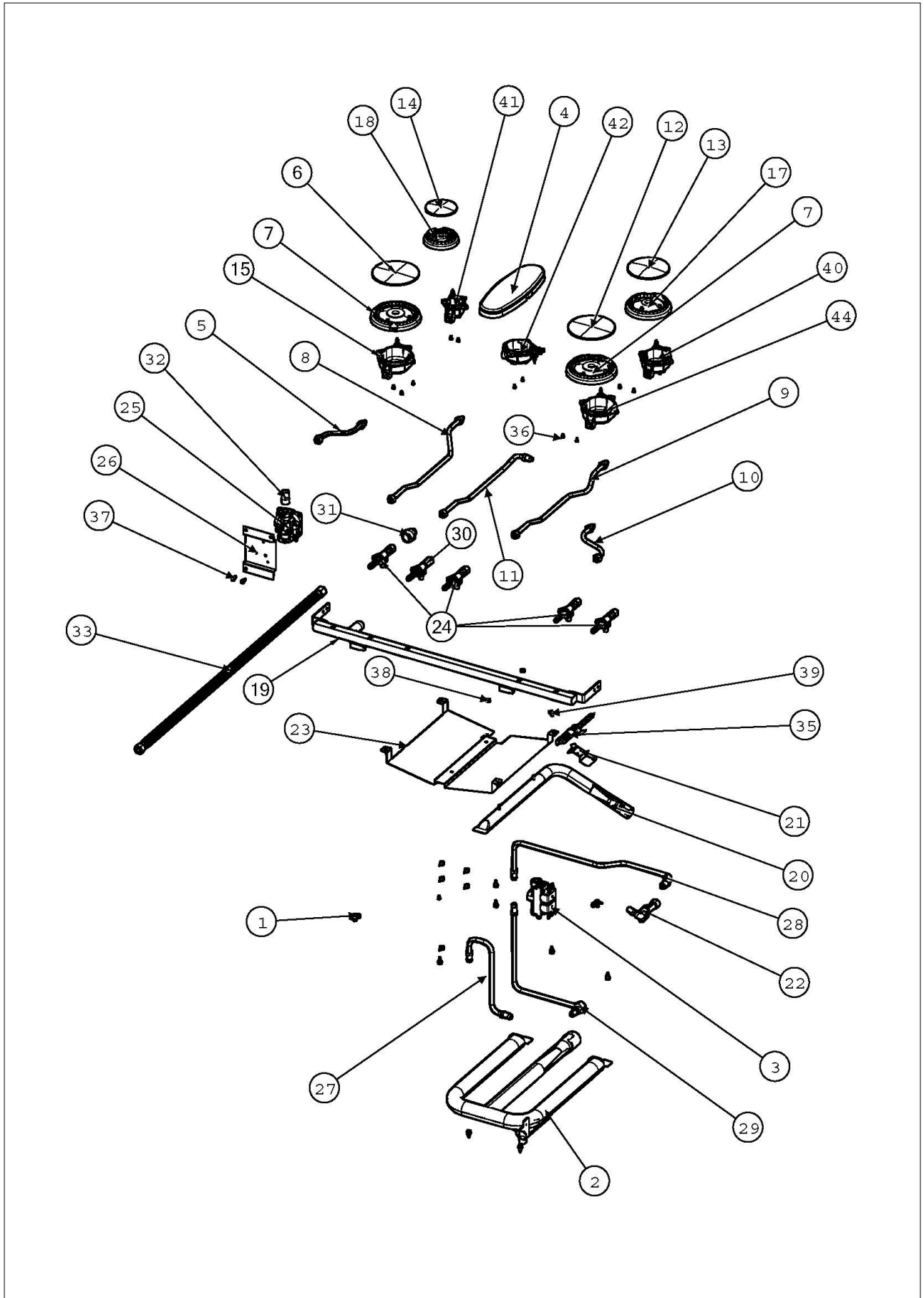
Item	Part No.	Name	Qty	Uom	NOTES
1	003860-000	FASTENER,SCR,HXWH,STL,ZP LT,10-18 x .500	10	EA	
2	043698-000	BURNER CHANNEL, FRONT	1	EA	
3	043681-402	TOP, RANGE, 30"	1	EA	
4	031004-000	BURNER CHANNEL, REAR	1	EA	
5	031005-000	CENTER BURNER CHANNEL	1	EA	
6	031023-000	SUPPORT, REAR BURNER BOX	1	EA	
7	031073-000	PANEL, BURNER BOX SIDE, RH	1	EA	
8	031074-000	PANEL, BURNER BOX SIDE, LH	1	EA	
9	031223-000	D3 RH GRATE ASM	1	EA	
10	031225-000	D3 CENTER GRATE ASM	1	EA	
11	031224-000	D3 LH GRATE ASM	1	EA	
12	031430-000	GRATE, FOOT	12	EA	

GAS



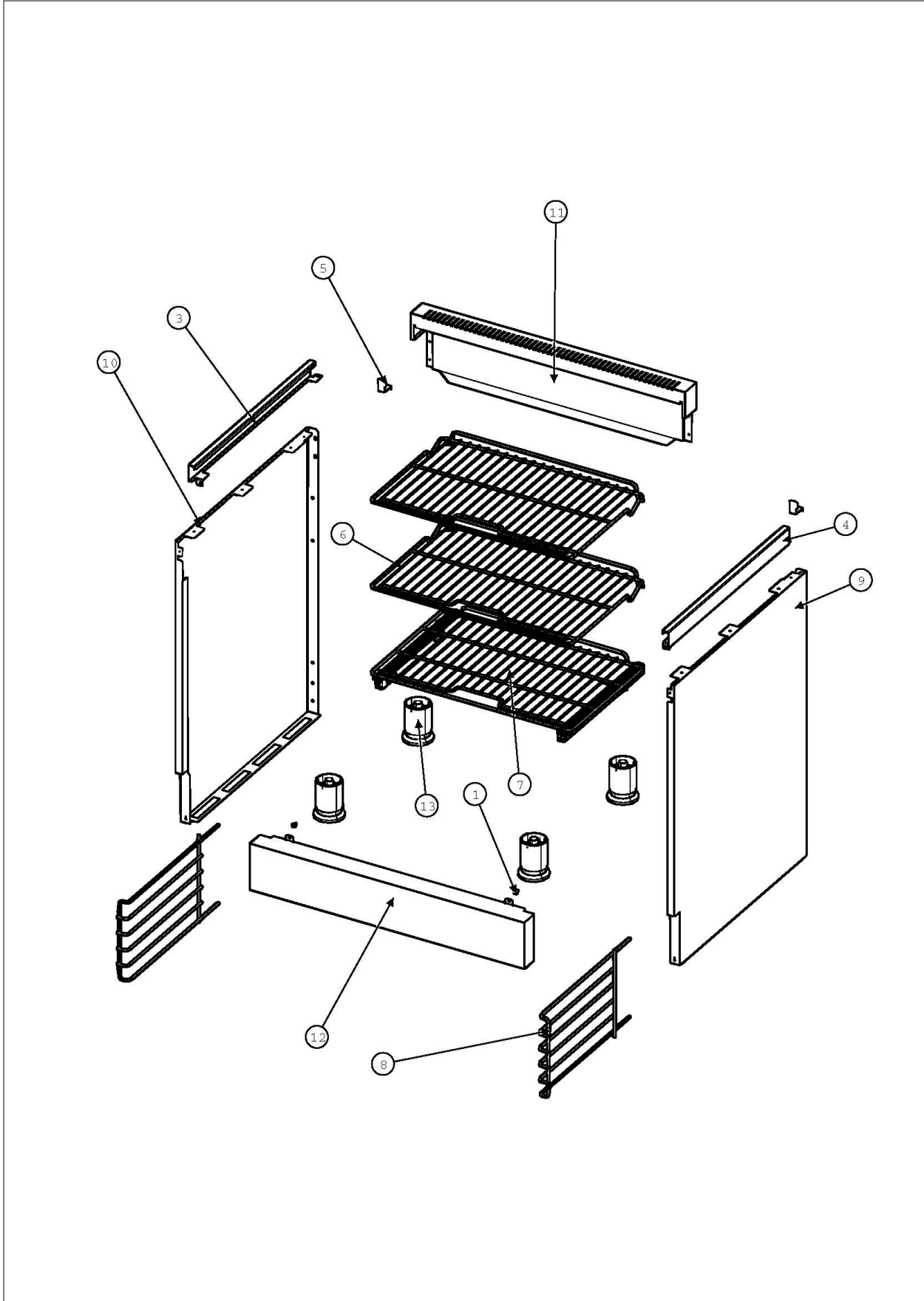


Item	Part No.	Name	Qty	Uom	NOTES
1	003860-000	FASTENER,SCR,HXWH,STL,ZP LT,10-18 x .500	13	EA	
2	005329-000	BURNER, OVEN, ASM	1	EA	
2	005330-000	BURNER, OVEN, ASM (LP)	1	EA	
3	009112-000	VALVE, SOL, DOUBLE	1	EA	
4	030984-000	FISH BURNER, 92000 BTU	1	EA	
5	031393-000	RF BURNER TUBING	1	EA	
6	031412-000	BNR CAP, ULTRARAPID, 18000 BTU	1	EA	
7	031416-000	BNR HEAD, ULTRARAPID, 18000 BTU	2	EA	
8	031388-000	LR BURNER TUBE	1	EA	
9	031392-000	RR BURNER TUBING	1	EA	
10	031393-000	RF BURNER TUBING	1	EA	
11	072465-000	TUBING, FLEX, SST, 5/16 OD X 16"	1	EA	
12	031412-000	BNR CAP, ULTRARAPID, 18000 BTU	1	EA	
13	031413-000	BNR CAP, RAPID, 12000 BTU	1	EA	
14	031414-000	BNR CAP, SIMIRAPID, 80000 BTU	1	EA	
15	043672-000	BNR BASE, ULTRARAPID	1	EA	
17	031417-000	BNR HEAD, RAPID, 12000 BTU	1	EA	
18	031418-000	BNR HEAD, SEMIRIPID, 8000 BTU	1	EA	
19	049591-000	MANIFOLD, GAS, 30"	1	EA	
20	031899-000	BURNER, BROIL, ASM	1	EA	
21	031701-000	ELECTRODE BRACKET	1	EA	Not available online / Call for pricing and availability
22	031729-000	VALVE ORIFICE FITTING, BROIL	1	EA	
23	031766-000	BAFFLE, BROIL BURNER	1	EA	
24	031804-000	VALVE, TOP BURNER	4	EA	
25	031818-000	REGULATOR, DUAL OUTLET	1	EA	
25	041183-000	DUAL OUTLET REGULATOR LP	1	EA	
26	031821-000	BRACKET, REGULATOR MTG	1	EA	





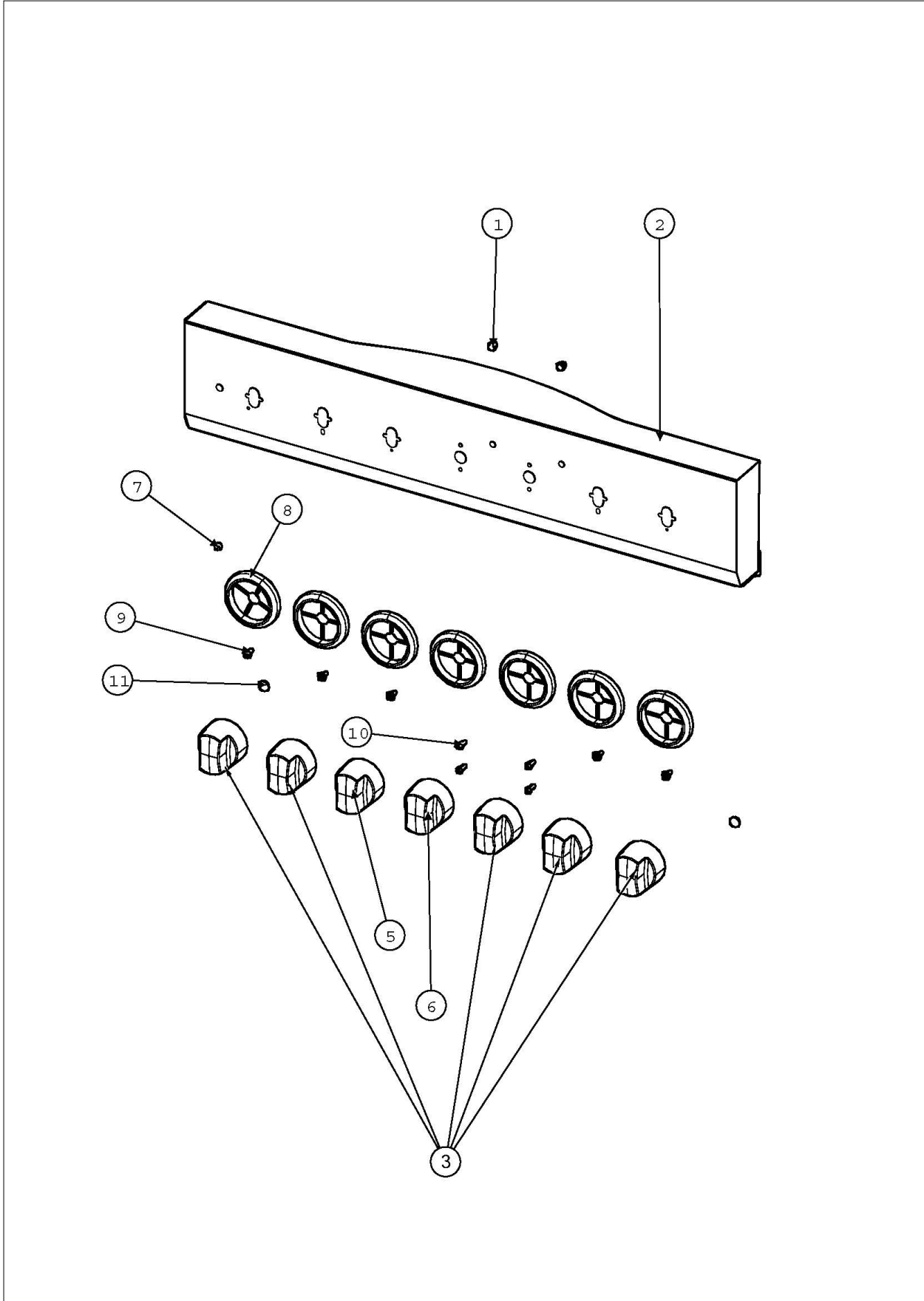
Item	Part No.	Name	Qty	Uom	NOTES
27	031853-000	TUBING, OVEN REGULATOR	1	EA	
28	031855-000	TUBING, BROIL, D3	1	EA	Not available online / Call for pricing and availability
29	031857-000	TUBING, BAKE, D3	1	EA	
30	031804-000	VALVE, TOP BURNER	1	EA	
31	034765-000	1/2" FEMALE PIPE TO 1/2" COMP FITTING	1	EA	
32	035216-000	ADAPTOR, 3/8 NPT TO 1/2 COMP.	1	EA	
33	039215-000	TUBING, FLEX, SST, 32" REPLACES 031830-000	1	EA	
35	PB040170	BAKE IGNITION ELECTRODE	1	EA	
36	PD020006	' #6-32 X 1/4" PH.PAN HD. T(F)	12	EA	
37	PD020261	#8-32X1/2" PH PANHEAD MACH. SCREW	2	EA	
38	PD030044	10-24 KEPS NUT *SS*	2	EA	
39	PD020004	10X3/8PH.HD.TYPE 25 REPL PD040125	1	EA	
40	030973-000	BNR BASE, RAPID, 12000 BTU	1	EA	
41	030974-000	BNR BASE, SEMIRAPID, 8000 BTU	1	EA	
42	030977-000	BURNER BASE, FISH, 9200 BTU	1	EA	
44	031022-000	BNR BASE, ULTRARAPID, 18000 BTU	1	EA	
NI	043850-000	RANGES LP TOP BURNER ORIFICES	1	EA	





Item	Part No.	Name	Qty	Uom	NOTES
1	003801-000	SHOULDER SCREW, #10	2	EA	
2	003860-000	FASTENER,SCR,HXWH,STL,ZP LT,10-18 x .500	14	EA	
3	013986-000	TRIM, SIDE, RT, D130	1	EA	
4	014543-000	TRIM, SIDE, LF, DESIGNER	1	EA	
5	015106-000	SIDE TRIM SUPPORT	2	EA	
6	027922-000	RACK, OVEN, GAS, 30	2	EA	
7	051818-000	RACK, GLIDE, GAS 30"	1	EA	
8	066225-402	SUPPORT, RACK D3	2	EA	
9	032813-000	PNL, SIDE, RH, D3 - SS	1	EA	
9	035006-002	PNL, SIDE, RH, D3 - BK	1	EA	
9	035006-006	PNL, SIDE, RH, D3 - WH	1	EA	
10	032816-000	PNL, SIDE, LH, D3 - SS	1	EA	
10	035005-002	PNL, SIDE, LH, D3 - BK	1	EA	
10	035005-006	PNL, SIDE, LH, D3 - WH	1	EA	
11	032965-000	D3 ISLAND TRIM ASM	1	EA	
12	042571-000	KICKPLATE, RVGR 30"	1	EA	
12	042717-002	KICKPLATE, DCBZ, RVGR3305B BK	1	EA	
12	042717-006	KICKPLATE, DCBZ, RVGR3305B WH	1	EA	
13	044178-000	RANGE, LEG, ADJUSTABLE	4	EA	
14	PD020032	SRW-8(A)X3/8"PH.WFR HD 7/16DIA*NICL	2	EA	
15	PD020232	NO.8 X 3/4 PH PAN HEAD TEK SCREW (BLACK OXIDE)	4	EA	

CONTROL

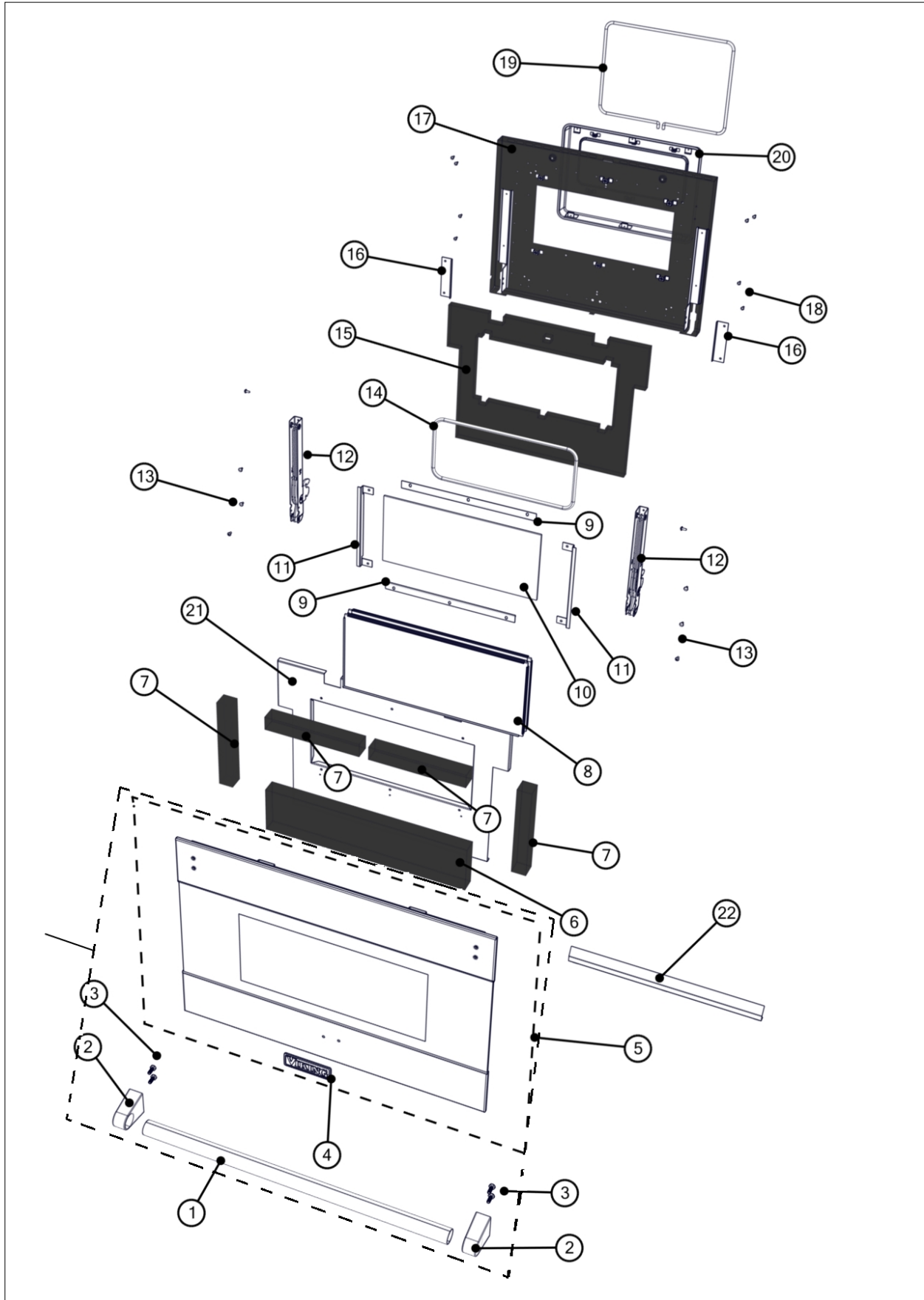






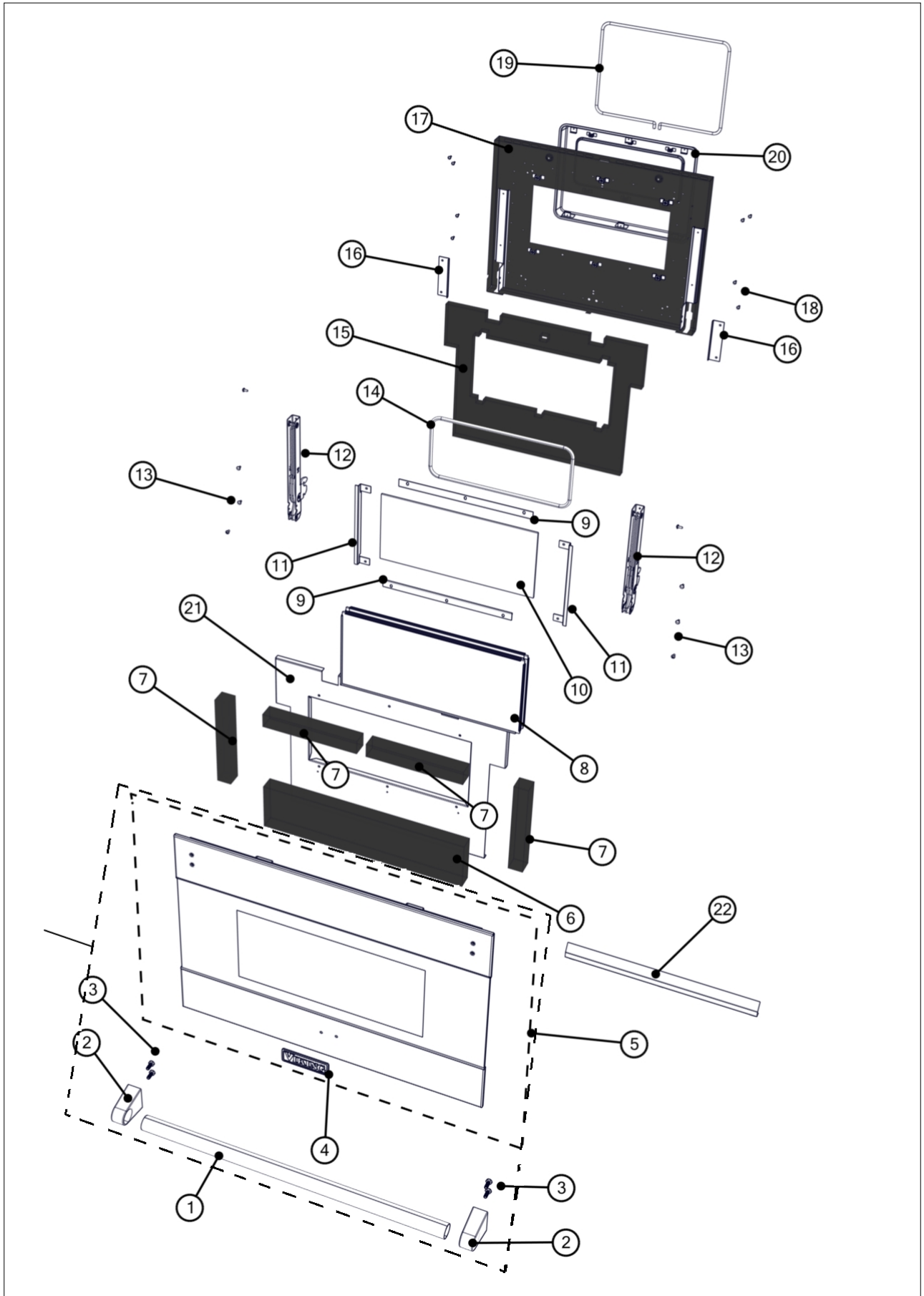
Item	Part No.	Name	Qty	Uom	NOTES
1	027968-000	LENS, BLUE	2	EA	
2	039090-2393	PANEL, CTRL, RDSCD/RDSCG230 ASM	1	EA	
Not Shown	NOTE	MUST ORDER PART NUMBER 036576-000 WITH PANEL		EA	
3	042263-000	KNOB, GAS VALVE, RANGE, D3PO, ASSY	5	EA	
5	042265-000	KNOB, SEL, GAS, RANGE, D3PO, ASSY	1	EA	
6	042266-000	KNOB, TSTAT, RANGE, D3PO, ASSY	1	EA	
7	PA010093	DESIGNER OVEN LT SWITCH KNOB	1	EA	
Not Shown	NOTE	USE ON UNITS BUILT BEFORE 2/24/2015		EA	
8	050172-000	KNOB BEZEL	7	EA	
Not Shown	NOTE	USE ON UNITS BUILT ON OR AFTER 2/24/2015		EA	
9	PD020046	NO.8 X 1/2 SCREW	5	EA	
10	PD020261	#8-32X1/2" PH PANHEAD MACH. SCREW	4	EA	
11	PD040004	GROMMET BUMPER	2	EA	

DOOR





Item	Part No.	Name	Qty	Uom	NOTES
1	035590-000	HANDLE, TUBE	1	EA	
2	026965-000	ENDCAP, DOOR, HDL ASSY	2	EA	
3	014221-000	1/4-20 X .625 HEX 316 SS	4	EA	
4	041992-000	NAMEPLATE, VIKING, 4.500"	1	EA	
5	042068-000	DOOR, OUTER, D3PO, 30", SS, VIKING, ASSY - SS	1	EA	
5	042083-002	DOOR, OTR, D3PO, 30", DCBZ, VIKING, ASSY BK	1	EA	
5	042083-006	DOOR, OTR, D3PO, 30", DCBZ, VIKING, ASSY WH	1	EA	
6	005490-000	INSULATION, PLUG, DOOR, LOWER	1	EA	
7	005491-000	INSULATION, PLUG, DOOR, SIDE	4	EA	
8	PE060064	WINDOW PACK, SELF CLEANING OVEN 30"	1	EA	
9	A2007943	GLASSPACK BRACKET, LARGE	2	EA	
10	PE060039	GLASS-HEAT TREATED (HB2) VDSC	1	EA	
11	007583-000	BRACKET, GLASS	2	EA	
12	036279-000	HINGE, DOOR, GAS, BLACK SPRING	1	EA	
13	PD020002	10 X 1/2 PH TR HD SMS	4	EA	
14	000594-000	BLACK FIBERGLASS ROPE 3/8	1	EA	
15	005475-000	DOOR INSULATION	1	EA	
16	A2002189	DOOR GLASS STANDOFF (VDSC)	2	EA	
17	035609-402	DOOR PLUG ASM, BK PORC	1	EA	
18	PD020014	10X3/4 PH TR HD SMS	12	EA	
19	000042-000	30" DOOR GASKET	1	EA	
20	004691-402	LINER, DOOR ASM, BK PORC	1	EA	
21	004688-000	DOOR PANEL INSULATION LINER	1	EA	
22	015865-000	COVER, SCREW, DOOR, DCCG130-4B	1	EA	
23	042498-000	DOOR, OTR, VIKING, 30, SS ASSY W/ HANDLE	1	EA	





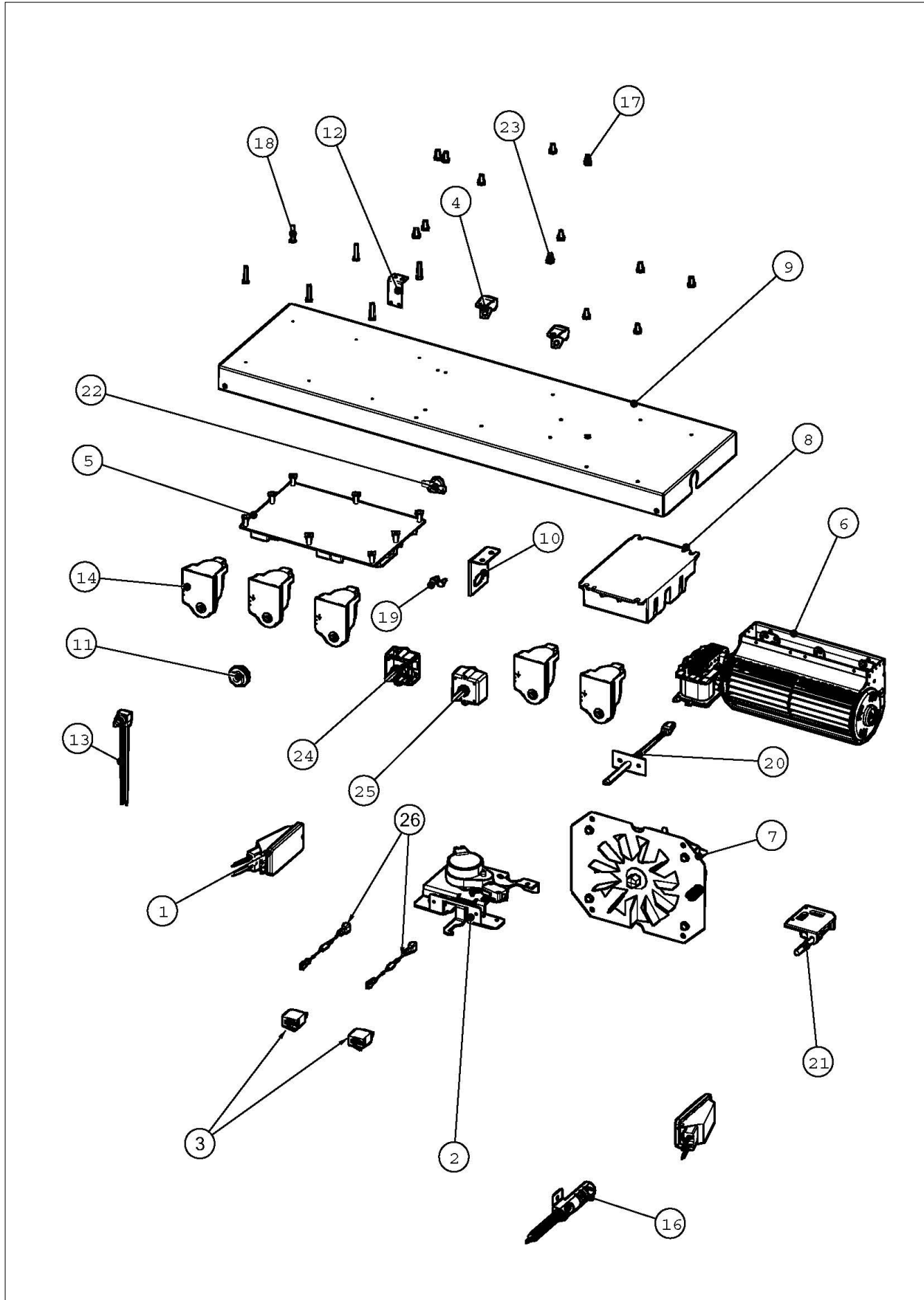
Item	Part No.	Name	Qty	Uom	NOTES
23	042499-002	DOOR, OTR, VIKING, 30, BK ASSY W/HANDLE	1	EA	Not available online / Call for pricing and availability
23	042499-006	DOOR, OTR, VIKING, 30, WH ASSY W/HANDLE	1	EA	Not available online / Call for pricing and availability

Comments for Page: DOOR

vharding68@verizon.net on Apr 25, 2016

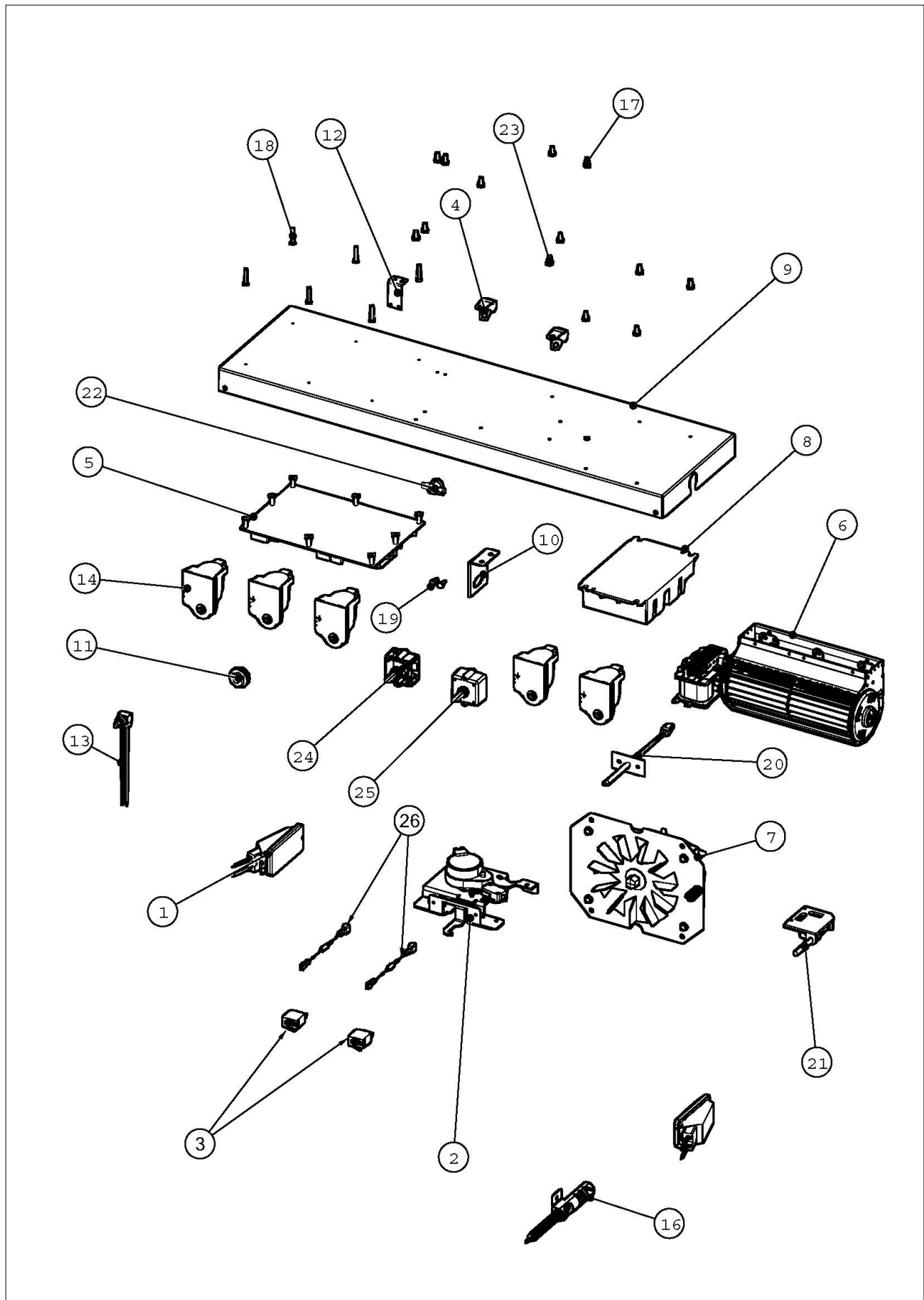
IF YOU ARE LOOKING FOR HINGES FOR HINGES ON A RVGR33015BSS THE PART NUMBER (2) 046000-000  
NUOVA BLUE HINGES.

ELECTRICAL





Item	Part No.	Name	Qty	Uom	NOTES
1	005311-000	LAMP, OVEN, 120V/25W		EA	
2	012565-000	LATCH,DOOR,ASM,120V, LOCKED POSITION		EA	
3	043135-000	HOUSING, LIGHT, LED, BLUE 3.3V		EA	
4	015208-000	Clip, Wiring 3/8"		EA	Not available online / Call for pricing and availability
5	015981-000	CONTROL,BD,EOC2 GAS SELF CLEAN		EA	
Comments for Part Num. 015981-000					
gboltz@VikingRange.com on Sep 16, 2016					
SEE TC-0043-SP BULLETIN BEFORE ORDERING					
6	019958-000	FAN,COOLING,SINGLE, 120Vx180(51399)		EA	
7	023090-000	MOTOR, CONV ASM		EA	
8	023651-000	DSI120-2-LVS		EA	
9	033529-000	PLATE, MTG, COMP.		EA	
10	033668-000	BRACKET, DISCONNECT		EA	
11	036576-000	LIGHT SWITCH HOLDER W/DOUBLE SIDED TAPE		EA	
12	A20014089	DISC BRACKET		EA	
13	G40015469	DESIGNER OVEN LIGHT SWITCH		EA	
14	PA020058	IRIS SINGLE SPARK MODULE		EA	
16	PB040170	BAKE IGNITION ELECTRODE		EA	
17	PD020010	10 X 3/8 GREEN GROUNDING SCREW		EA	
18	PD020043	#6-32 X .750 PH. CTRSK T(F)- VGSO166		EA	
19	PD020067	#6 X 3/8" PAN PHIL. TEK *SS*		EA	
20	PE050206	RTD THERMOSTAT PROBE		EA	
21	PE050208	DOOR SWITCH		EA	
22	PJ030039	BI-METAL THERMOSTAT 275 DEGREES		EA	
23	PD020004	10X3/8PH.HD.TYPE 25 REPL PD040125		EA	







Item	Part No.	Name	Qty	Uom	NOTES
24	PJ030034	SELECTOR, 6 POS		EA	
25	PJ030035	THERMOSTAT		EA	
<p>Comments for Part Num. PJ030035</p> <p>parts@lvdistributes.com on Feb 7, 2018  this is not the correct part for this range it should be a 003225-000  Reply by JREXEC02@AOL.COM on Feb 27, 2018  003225-000 is an Induction Control.</p> <p>PJ030035 is the red colored thermostat for the Gas Range  *****</p>					
26	021319-000	*SEE 027543-000* HARNESS, ADPT, LED, 125V TO 2V		EA	
NI	000647-000	IRIS IGNITOR WIRE, FRONT BURNER		EA	
NI	043678-000	IRIS HARNESS RVGR		EA	
NI	004133-000	CONTROL PANEL HARNESS		EA	



Appendix A:Pages Index

BASE ..... 1  
CONTROL ..... 5  
DECOR ..... 4  
DOOR ..... 6  
ELECTRICAL ..... 7  
GAS ..... 3  
SURFACE ..... 2



Appendix B:Parts Index

000042-000	6	027922-000	4
000594-000	6	027968-000	5
000647-000	7	030973-000	3
003801-000	4	030974-000	3
003860-000	1, 2, 3, 4	030977-000	3
004133-000	7	030984-000	3
004688-000	6	030985-000	1
004691-402	6	031004-000	2
005311-000	7	031005-000	2
005329-000	3	031014-000	1
005330-000	3	031015-000	1
005475-000	6	031022-000	3
005490-000	6	031023-000	2
005491-000	6	031030-000	1
007583-000	6	031034-000	1
009112-000	3	031073-000	2
012565-000	7	031074-000	2
013659-000	1	031223-000	2
013660-000	1	031224-000	2
013986-000	4	031225-000	2
014221-000	6	031320-000	1
014502-000	1	031388-000	3
014543-000	4	031392-000	3
014748-402	1	031393-000	3, 3
015106-000	4	031412-000	3, 3
015208-000	7	031413-000	3
015865-000	6	031414-000	3
015981-000	7	031416-000	3
019175-000	1	031417-000	3
019176-000	1	031418-000	3
019958-000	7	031430-000	2
021225-402	1	031445-402	1
021225-403	1	031673-000	1
021319-000	7	031674-000	1
023090-000	7	031678-000	1
023578-000	1	031679-000	1
023579-000	1	031701-000	3
023580-000	1	031729-000	3
023651-000	7	031766-000	3
026965-000	6	031777-000	1
		031804-000	3, 3



031818-000	3	042266-000	5
031821-000	3	042498-000	6
031831-000	1	042499-002	6
031853-000	3	042499-006	6
031855-000	3	042571-000	4
031857-000	3	042717-002	4
031899-000	3	042717-006	4
032813-000	4	043135-000	7
032816-000	4	043672-000	3
032965-000	4	043678-000	7
033198-000	1	043681-402	2
033529-000	7	043698-000	2
033583-000	1	043850-000	3
033585-000	1	044178-000	4
033586-000	1	049133-000	1
033588-000	1	049591-000	3
033668-000	7	050172-000	5
034765-000	3	051818-000	4
035005-002	4	066203-000	1
035005-006	4	066225-402	1, 4
035006-002	4	072465-000	3
035006-006	4	A20012649	1
035216-000	3	A20014089	7
035230-000	1	A2002189	6
035322-000	1	A2004428	1
035590-000	6	A2007943	6
035609-402	6	G40015469	7
036279-000	6	PA010093	5
036576-000	7	PA020058	7
039090-2393	5	PB040170	3, 7
039215-000	3	PC030007	1
040971-000	1	PD020002	6
041183-000	3	PD020004	3, 7
041992-000	6	PD020006	3
042068-000	6	PD020010	7
042083-002	6	PD020014	6
042083-006	6	PD020032	4
042133-000	1	PD020043	7
042178-000	1	PD020046	5
042263-000	5	PD020048	1
042265-000	5	PD020067	7



PD020232 .....	1, 4
PD020261 .....	3, 5
PD030044 .....	3
PD040004 .....	5
PE050206 .....	7
PE050208 .....	7
PE060039 .....	6
PE060064 .....	6
PJ030034 .....	7
PJ030035 .....	7
PJ030039 .....	7