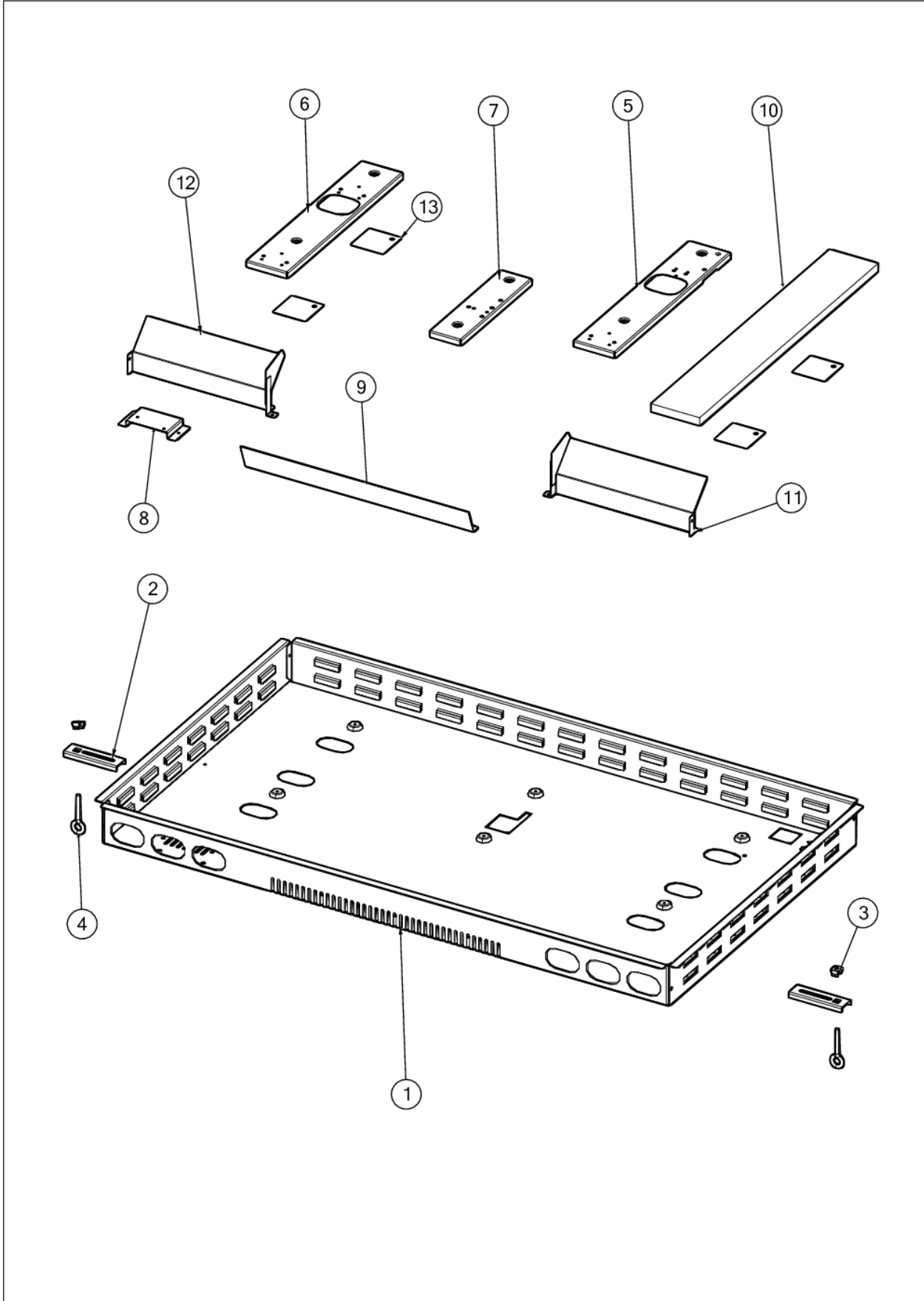


**RVGC3365B**

BASE .....	1
DECOR .....	2
ELECTRICAL .....	3
GAS .....	4
Appendix A:Pages Index .....	A
Appendix B:Parts Index .....	B



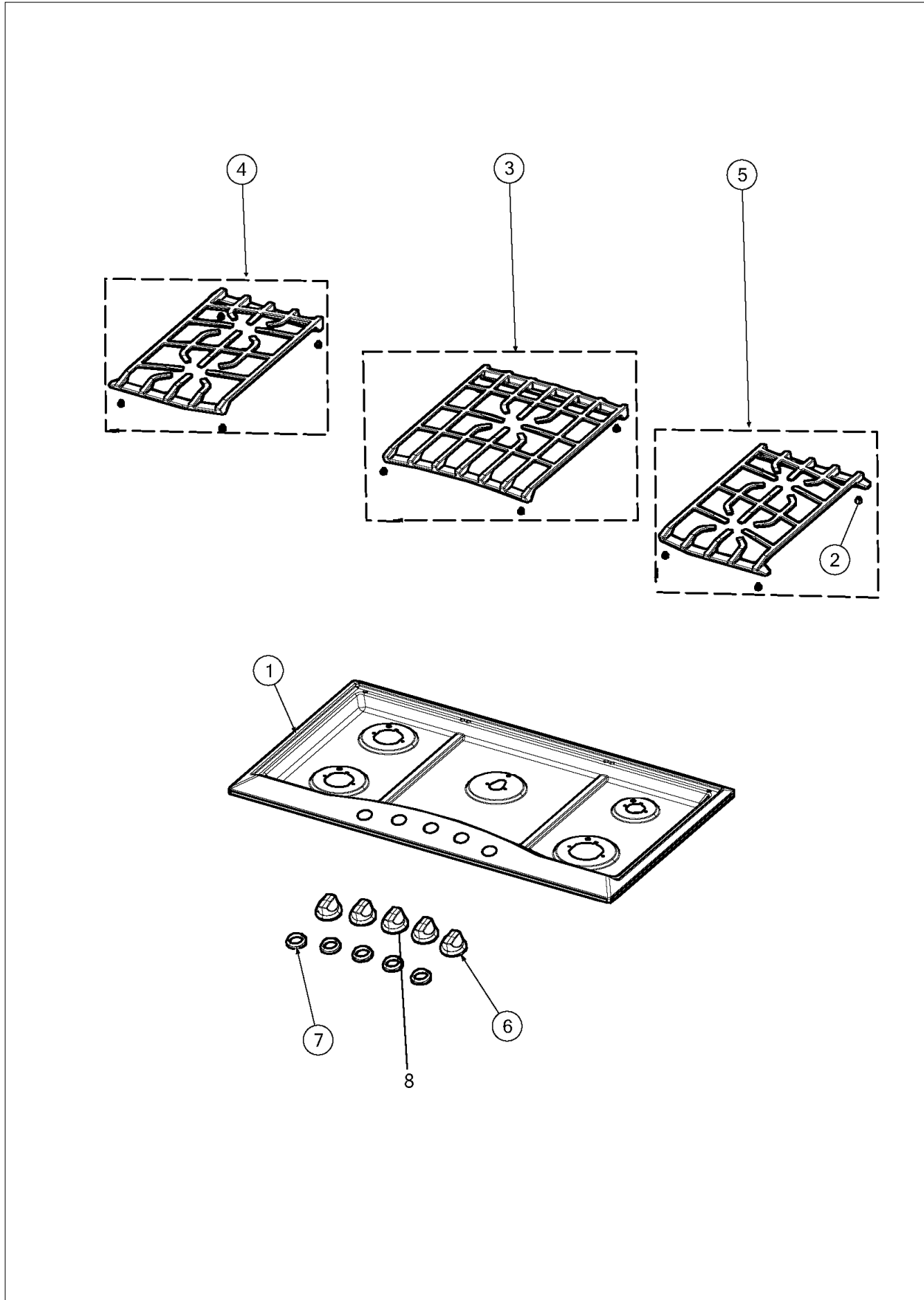
BASE





Item	Part No.	Name	Qty	Uom	NOTES
1	036131-000	D3 36" COOKTOP BURNER BOX	1	EA	
2	A2003053	Retainer Bracket	2	EA	
3	PD010027	EYE BOLT-VGSU101/161	2	EA	
4	PD030029	SELF RETAINING NUT (1/4-20)	2	EA	
5	031579-000	RH BURNER SUPPORT DGSU, D3	1	EA	
6	031580-000	LH BURNER SUPPORT DGSU, D3	1	EA	
7	031583-000	CENTER BURNER SUPPORT DGSU, D3	1	EA	
8	031933-000	SNGL SPARK MODULE MOUNT	1	EA	
9	031948-000	D3 VENT SHEILD	1	EA	
10	035645-000	INSULATION, SW	1	EA	
11	036133-000	FLUE, CKTP, RH ASSY, 36"	1	EA	
12	036135-000	FLUE, CKTP, LH ASSY, 36"	1	EA	
13	036559-000	INSULATION, ELEC	4	EA	

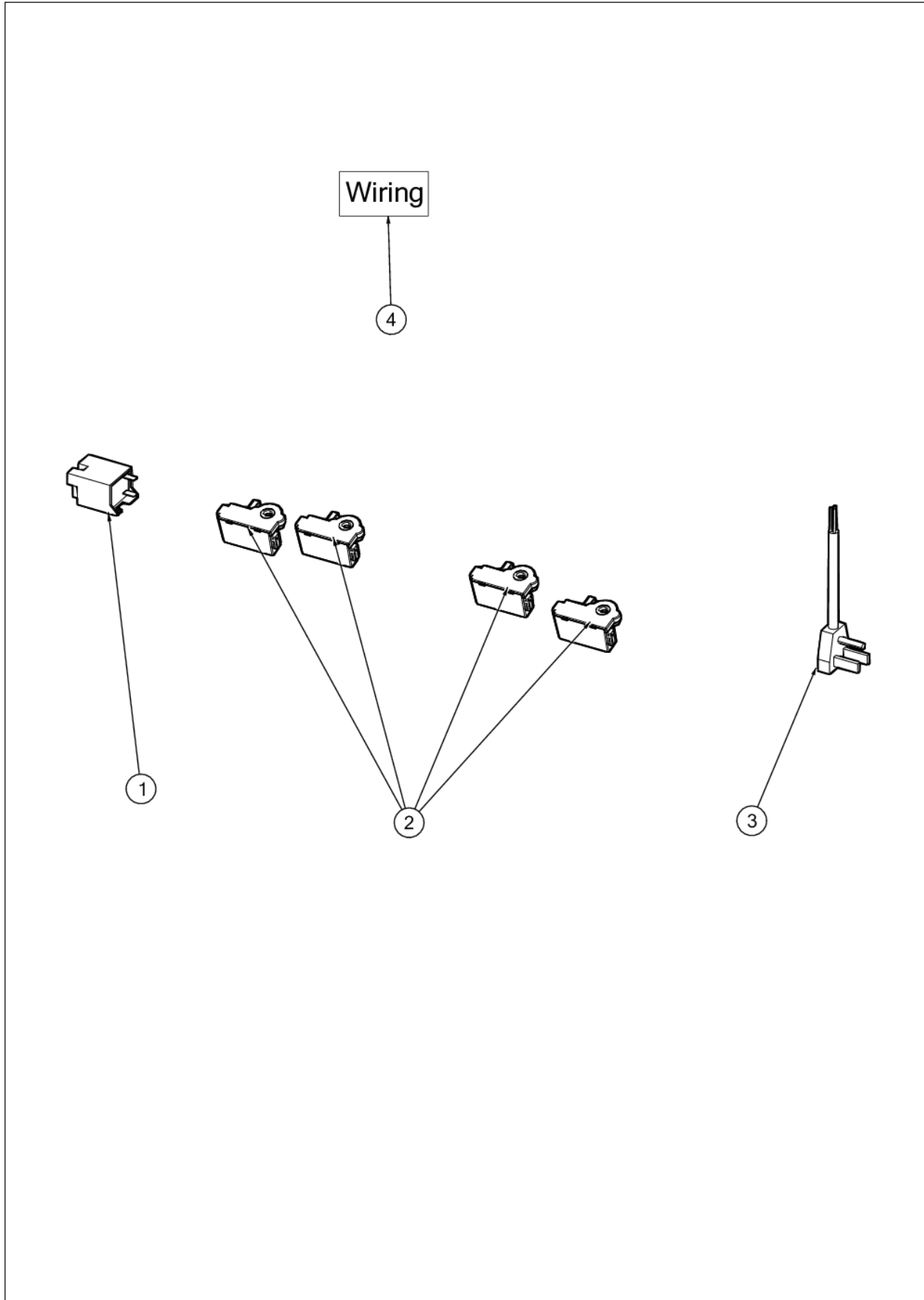
DECOR





Item	Part No.	Name	Qty	Uom	NOTES
1	031290-2575	D3 36" COOKTOP	1	EA	
2	031430-000	GRATE, FOOT	12	EA	
3	031876-000	36" CENTER GRATE ASM	1	EA	
4	052997-000	LH GRATE 36" COOKTOP ASM	1	EA	
5	031878-000	36" RH GRATE ASM	1	EA	
6	042162-000	KNOB, SNGL GAS, COOKTOP, BLADE, D3PO, ASSY	4	EA	
7	PB070320	SILICONE EXTRUSION	5	EA	
8	042163-000	KNOB, DUAL GAS, COOKTOP, BLADE, D3PO, ASSY	1	EA	

ELECTRICAL

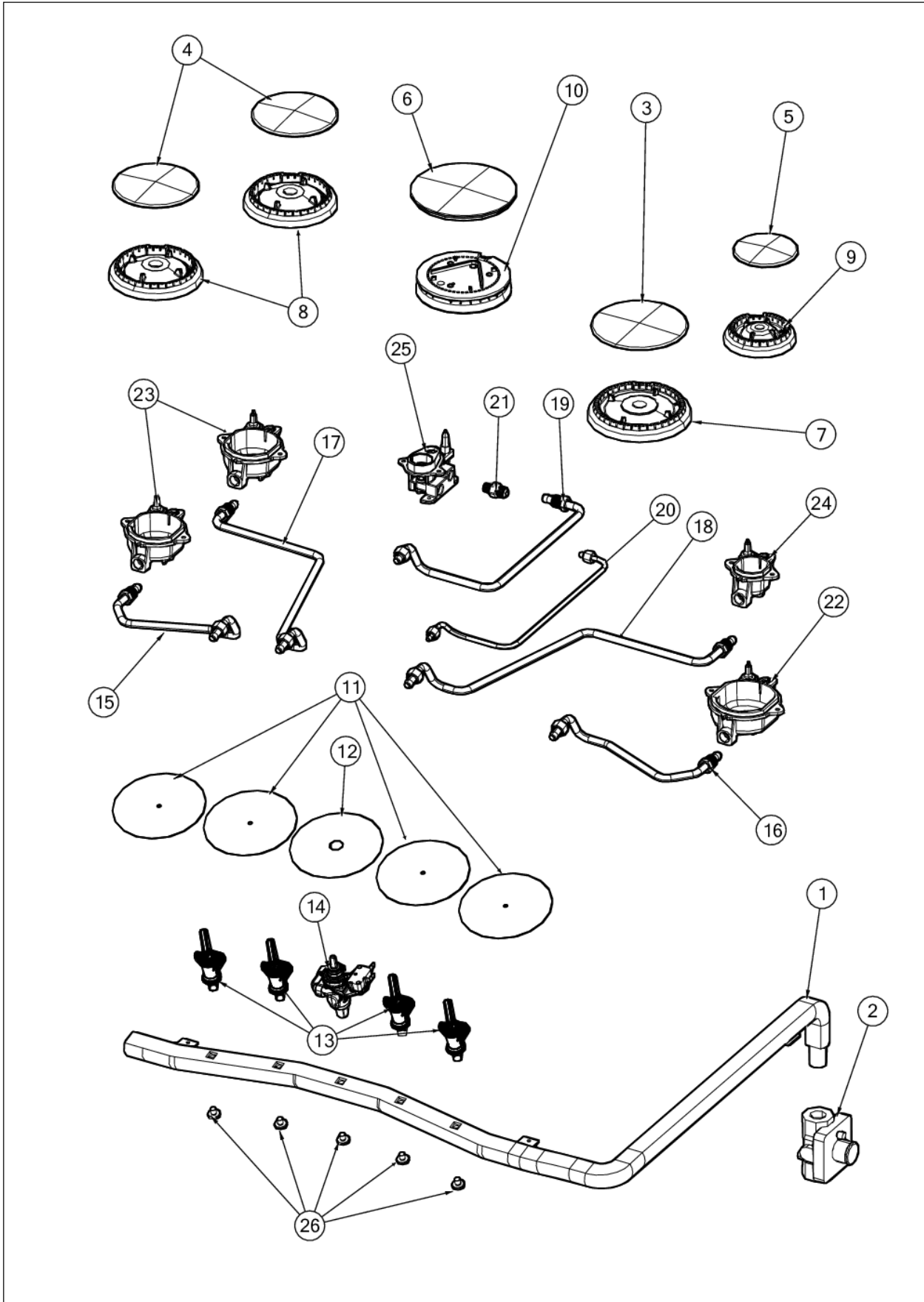






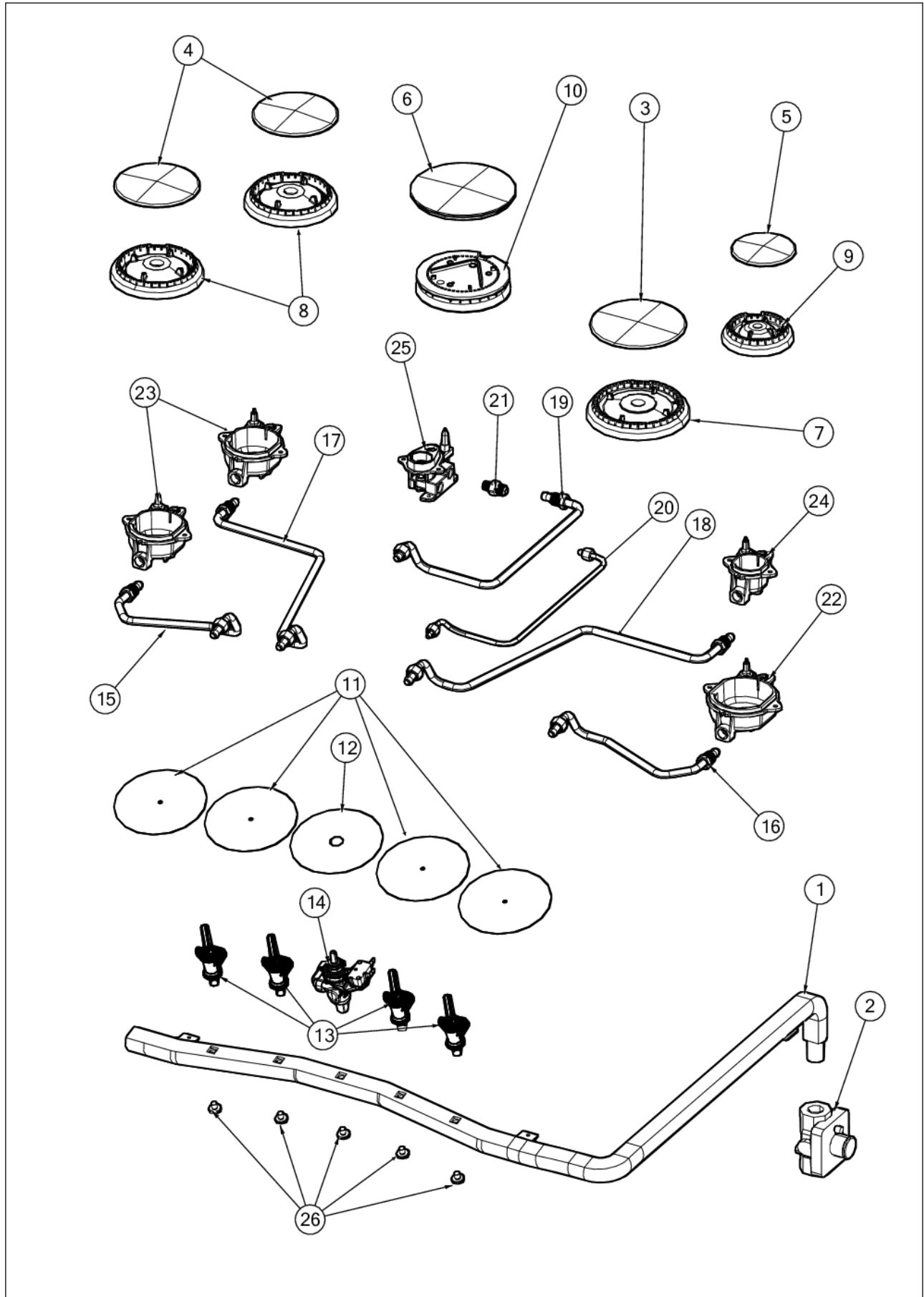
Item	Part No.	Name	Qty	Uom	NOTES
1	PA020037	SINGLE MODULE 120V	1	EA	
2	015112-000	MODULE, SPK IRIS COOKTOP	4	EA	
3	G4007440	SUPPLY CORD ASSY	1	EA	
4	006766-000	IRIS IGNITOR WIRE, BACK BURNER	2	EA	
4	000647-000	IRIS IGNITOR WIRE, FRONT BURNER	2	EA	
4	PE070890	IRIS HARNESS - 36"	1	EA	
4	034731-000	HARNESS, WIRE, STACK BURNER	1	EA	

GAS





Item	Part No.	Name	Qty	Uom	NOTES
1	031576-000	D3 GAS COOKTOP MANIFOLD	1	EA	
2	023883-000	REGULATOR, PRSS, NAT, 5", DESIGNER	1	EA	
2	023884-000	REGULATOR, PRSS, L.P., 10" DESIGNER	1	EA	
3	031412-000	BNR CAP, ULTRARAPID, 18000 BTU	1	EA	
4	031413-000	BNR CAP, RAPID, 12000 BTU	2	EA	
5	031414-000	BNR CAP, SIMIRAPID, 80000 BTU	1	EA	
6	031415-000	BURNER CAP, STACKED	1	EA	
7	031416-000	BNR HEAD, ULTRARAPID, 18000 BTU	1	EA	
8	031417-000	BNR HEAD, RAPID, 12000 BTU	2	EA	
9	031418-000	BNR HEAD, SEMIRIPID, 8000 BTU	1	EA	
10	031419-000	BURNER HEAD, STACKED	1	EA	
11	019955-000	SHIELD, WTR	4	EA	
12	036558-000	SHIELD, WTR, LRG CNTR HOLE	1	EA	
13	032331-000	SINGLE GAS VALVE	4	EA	
14	032349-000	DUAL GAS VALVE	1	EA	
15	031628-000	36" COOKTOP LF BURNER TUBE	1	EA	
16	031629-000	36" COOKTOP RF BURNER TUBE	1	EA	
17	031630-000	36" COOKTOP LR BURNER TUBE	1	EA	
18	031631-000	36" COOKTOP RR BURNER TUBE	1	EA	
19	032521-000	CENTER HIGH BURNER TUBE	1	EA	
20	032541-000	CENTER LOW BURNER TUBE	1	EA	
21	033202-000	STACK BURNER LOW ORIFICE ADAPTER	1	EA	
22	036407-000	BNR BASE, ULTRARAPID, CKTP, 12000 BTU, NAT	1	EA	
23	036408-000	BNR BASE, RAPID, CKTP, 9100 BTU, NAT	2	EA	
24	036409-000	BNR BASE, SEMIRAPID, CKTP, 5000 BTU, NAT	1	EA	





Item	Part No.	Name	Qty	Uom	NOTES
25	036410-000	17K STACK JETHOLDER W/0.53MM - 1.88MM INJECTORS	1	EA	
26	PD010012	VALVE BOLT 1/4-20 UNC-2B 5/16" M.S.	5	EA	
NI	036100-000	FASTENER, SCR, M4	10	EA	



Appendix A:Pages Index

BASE .....	1
DECOR .....	2
ELECTRICAL .....	3
GAS .....	4



Appendix B:Parts Index

000647-000	3	036408-000	4
006766-000	3	036409-000	4
015112-000	3	036410-000	4
019955-000	4	036558-000	4
023883-000	4	036559-000	1
023884-000	4	042162-000	2
031290-2575	2	042163-000	2
031412-000	4	052997-000	2
031413-000	4	A2003053	1
031414-000	4	G4007440	3
031415-000	4	PA020037	3
031416-000	4	PB070320	2
031417-000	4	PD010012	4
031418-000	4	PD010027	1
031419-000	4	PD030029	1
031430-000	2	PE070890	3
031576-000	4		
031579-000	1		
031580-000	1		
031583-000	1		
031628-000	4		
031629-000	4		
031630-000	4		
031631-000	4		
031876-000	2		
031878-000	2		
031933-000	1		
031948-000	1		
032331-000	4		
032349-000	4		
032521-000	4		
032541-000	4		
033202-000	4		
034731-000	3		
035645-000	1		
036100-000	4		
036131-000	1		
036133-000	1		
036135-000	1		
036407-000	4		