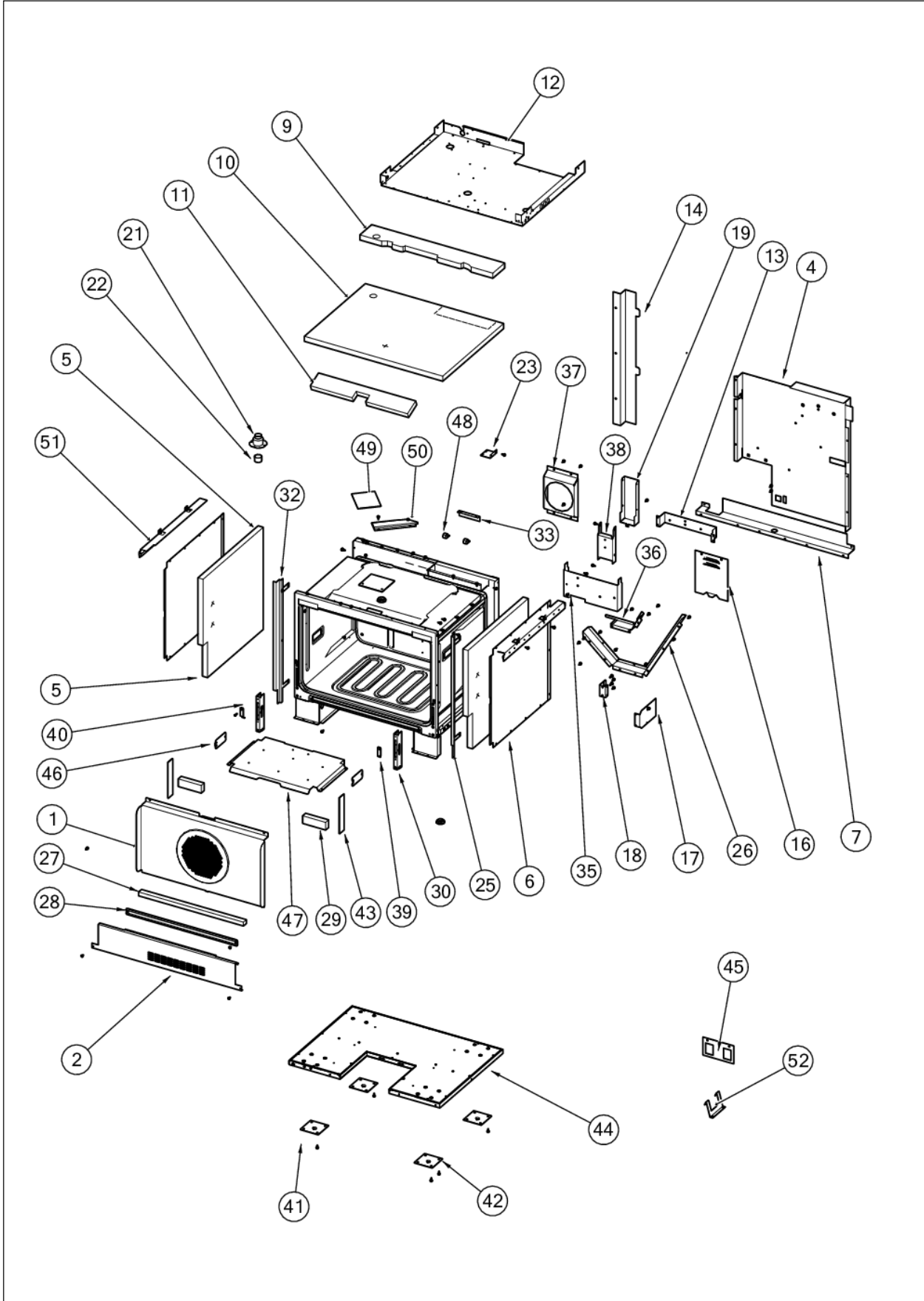


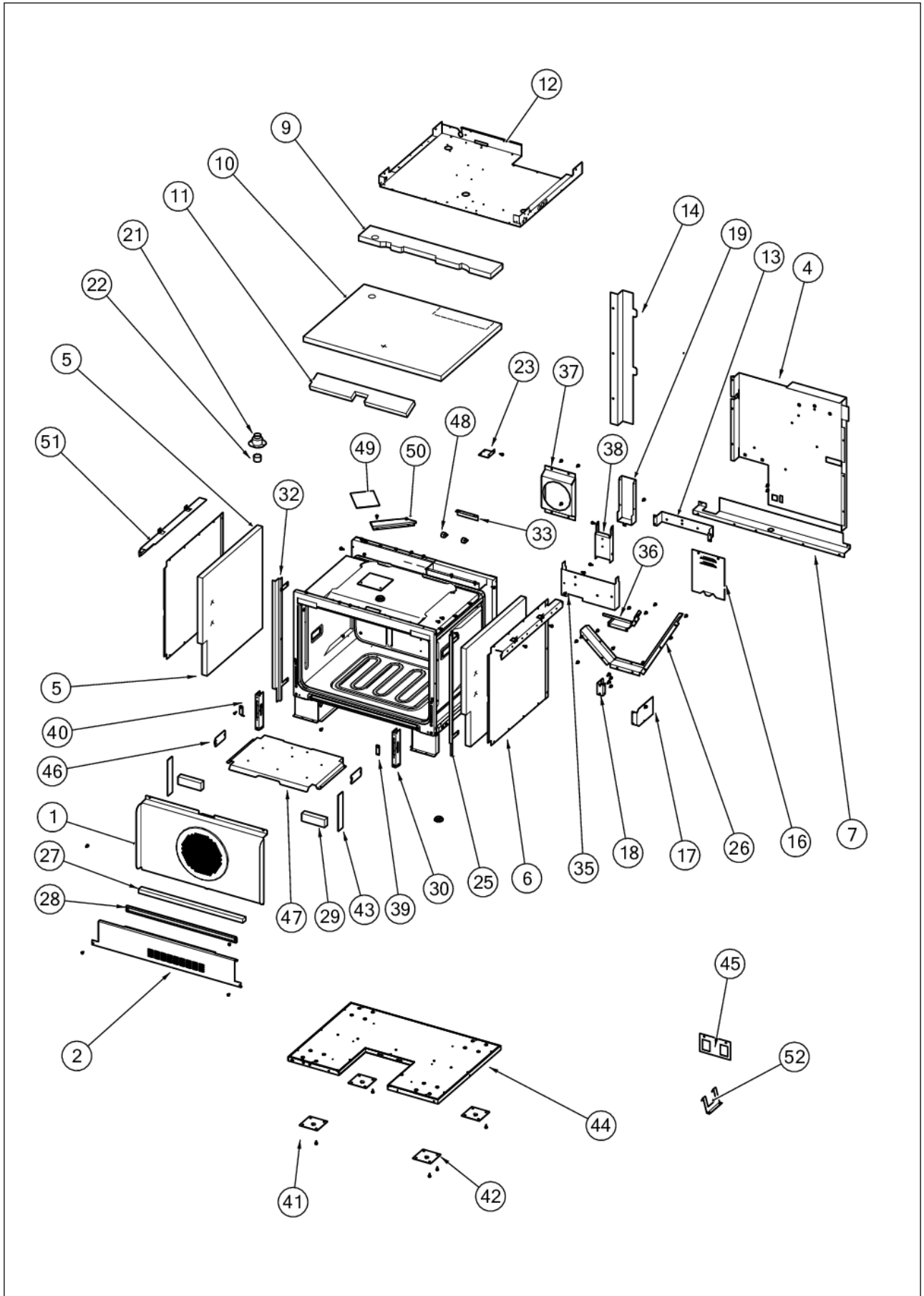
RVER3305

BASE	1
CONTROL	2
DECOR	3
DOOR	4
ELECTRICAL	5
SURFACE	6
Appendix A:Pages Index	A
Appendix B:Parts Index	B

BASE



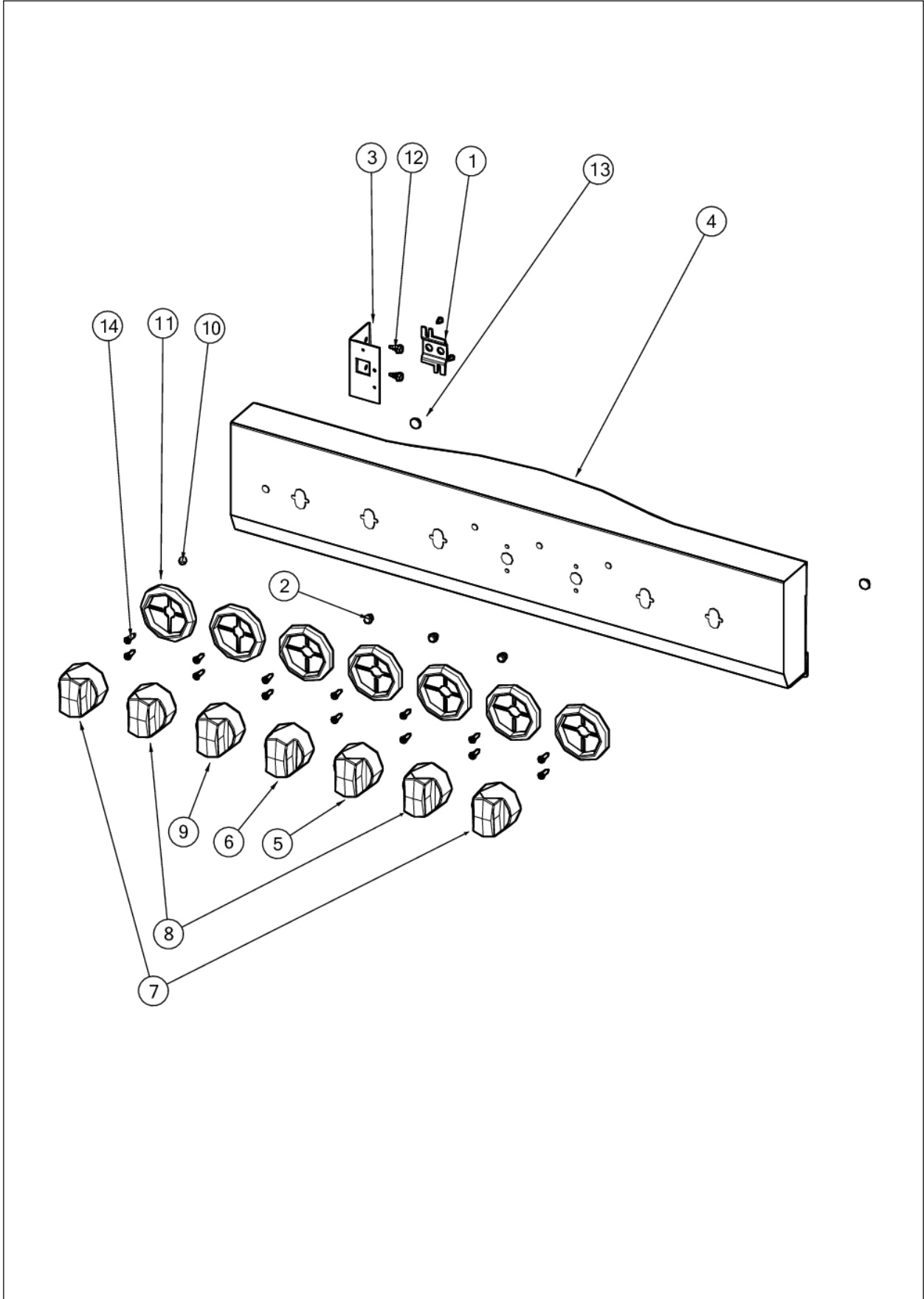
Item	Part No.	Name	Qty	Uom	NOTES
1	032857-000	BAFFLE, CNVN, ASM, D3 BLACK	1	EA	
2	014246-000	GRILL, LOWER	1	EA	
4	003272-000	COVER, BACK-INTERNATIONAL	1	EA	
5	013528-000	30 SIDE INSULATION	2	EA	
6	014137-000	WRAPPER, OVEN SIDE	2	EA	
7	014240-000	LEDGE, BACK	1	EA	
9	013542-000	30" TOP BROIL INSULATION	1	EA	
10	013526-000	30" TOP INSULATION	1	EA	
11	013563-000	LINER FRONT INSULATION	1	EA	
12	015615-000	BRACE, RNG, AIR CHANNEL	1	EA	
13	004110-000	Blower Mount	1	EA	
14	015607-000	CHANNEL, WIRE, DSCD	1	EA	
16	A2002454	BACK, COVER ACCESS DOOR	1	EA	
17	024415-000	TRAY, MTG, DESIGNER	1	EA	
18	A2002195	POWER CORD MOUNTING BRKT (VDSC)	1	EA	
19	A20010101	FLUE, OUTSIDE SHELL	1	EA	
21	PM010014	SMOKE ELIMINATOR (VDSC)	1	EA	
22	PB020275	VENT TUBE	1	EA	
23	A20012649	DOOR SWITCH BRACKET	1	EA	
24	033538-000	SUPPORT, REAR, RDSCE	1	EA	
25	019185-000	TRIM, FR, RH, DSCD	1	EA	
26	002941-000	BAFFLE, FAN, REAR	1	EA	
27	013547-000	INSULATION	1	EA	
28	032861-000	COVER, BAKE TRAY, BK PORC	1	EA	
29	005255-000	HINGE INSULATION	2	EA	
30	031679-000	RECEPTACLE, HINGE	2	EA	
32	019186-000	TRIM, FR, LH, DSCD	1	EA	
33	A20014044	BROIL ELEMENT SHIELD	1	EA	
35	014553-000	DUCT, AIR	1	EA	
36	003356-000	DIVERTER, AIR	1	EA	
37	A2009697	BRACKET, CONVECTION INSULATION	1	EA	





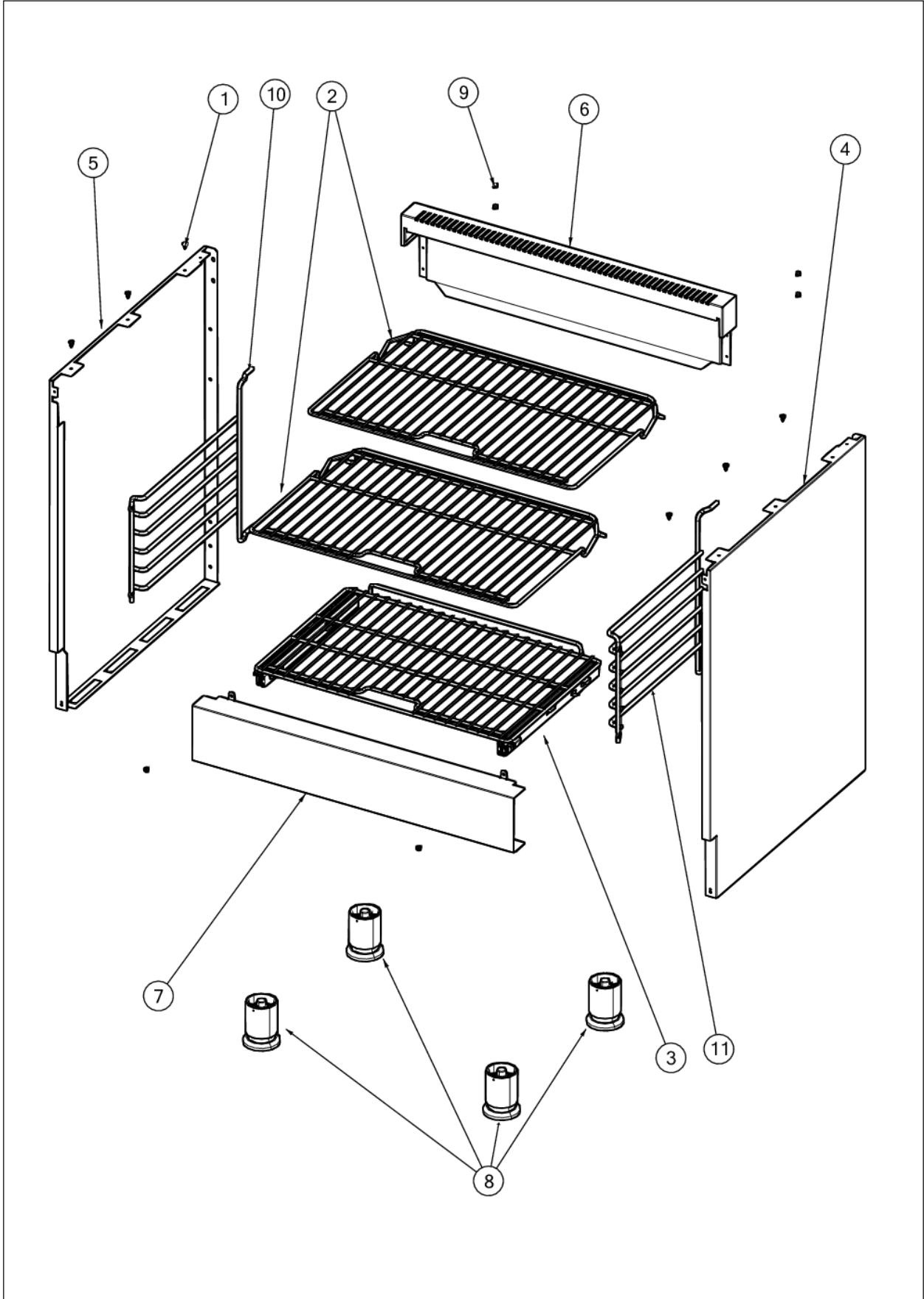
Item	Part No.	Name	Qty	Uom	NOTES
38	014554-000	BOX, FLUE, FRONT	1	EA	
39	039145-000	RH RETAINER, HINGE	1	EA	
40	039155-000	LH RETAINER, HINGE	1	EA	
41	003860-000	FASTENER,SCR,HXWH,STL,ZP LT,10-18 x .500	16	EA	
42	PC030007	LEG PLATE - 3/4" THREADED HOLE	4	EA	
43	013572-000	HINGE INSULATION	2	EA	
44	003051-000	BASE LOWER PLATE	1	EA	
45	034927-000	BRACKET, ANTI-TIP	1	EA	
46	032858-402	COVER, LT, BK PORCELAIN	2	EA	
47	A20014021	REFLECTOR, BROIL	1	EA	
48	PD030109	INSULATED CLAMP	2	EA	
49	004285-000	INSULATION, FOIL- BACKED,4"x5"	1	EA	
50	003333-000	DUCT, FLUE	1	EA	
51	A2009641	BRKT, TOP WRAPPER	2	EA	
52	034928-000	BRACKET, HOOK, ANTI-TIP	1	EA	

CONTROL





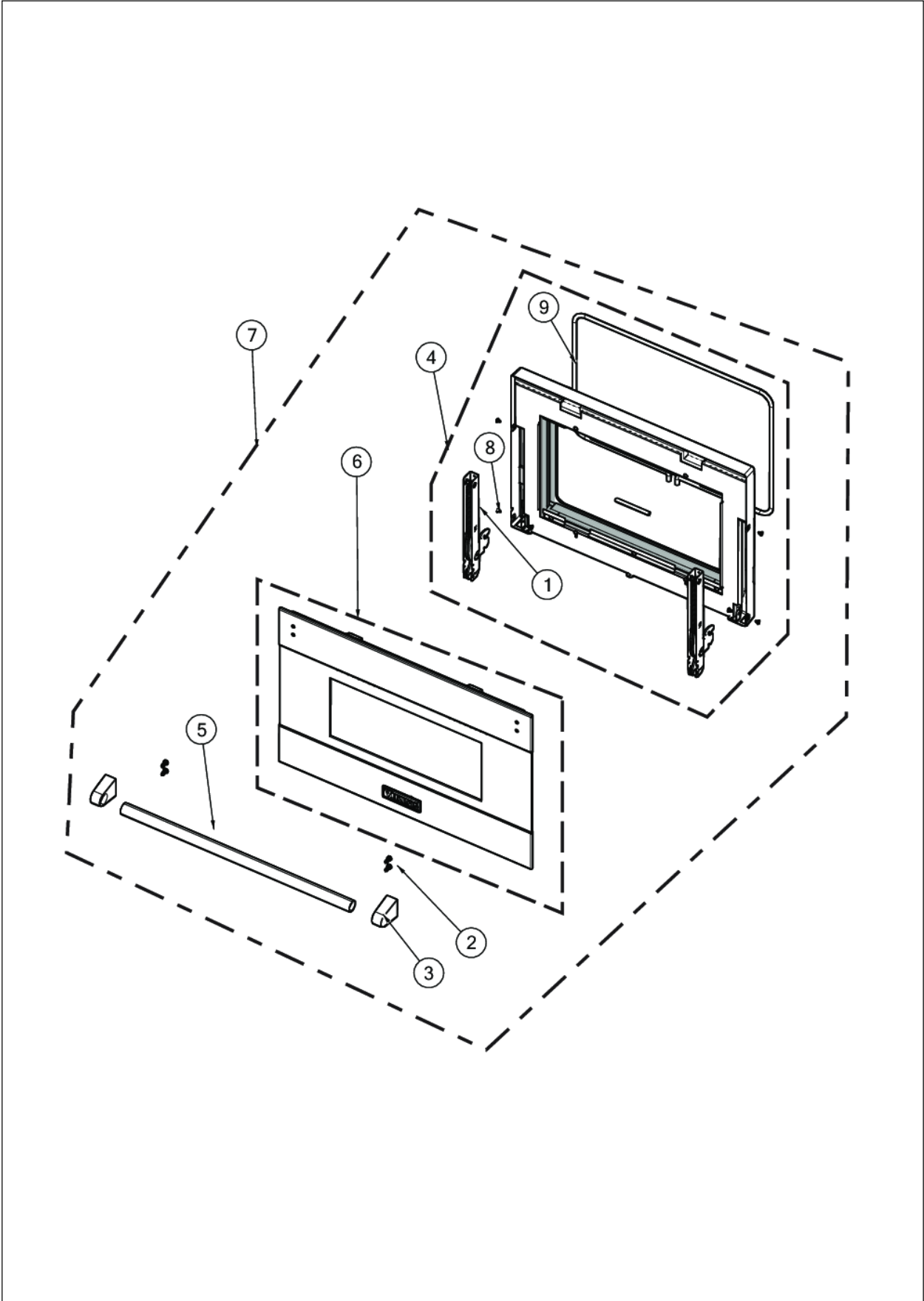
Item	Part No.	Name	Qty	Uom	NOTES
1	020474-000	BRACKET, SW	1	EA	
2	027968-000	LENS, BLUE	3	EA	
3	031462-000	BRACKET, LIGHT SWITCH	1	EA	
4	039089-2388	PANEL, CTRL, RDSCE230 ASM	1	EA	
Not Shown	NOTE	MUST ORDER PART # 036576-000 WITH PANEL		EA	
5	042266-000	KNOB, TSTAT, RANGE, D3PO, ASSY	1	EA	
Not Shown	NOTE	(BEFORE 09/10/13)		EA	
5	035893-000	KNOB,OVN,TSTAT, PRO VDSC/VESC CR3	1	EA	
Not Shown	NOTE	(ON OR AFTER 09/10/13)		EA	
6	042267-000	KNOB, SEL, ELEC, RANGE, D3PO, ASSY	1	EA	
Not Shown	NOTE	(BEFORE 09/10/13)		EA	
6	035895-000	KNOB,OVN,SEL, PRO VDSC/VESC CR3	1	EA	
Not Shown	NOTE	(ON OR AFTER 09/10/13)		EA	
7	042268-000	KNOB, SNGL INFINITE, RANGE, D3PO, ASSY	2	EA	
8	042269-000	KNOB, DBL INFINITE, RANGE, D3PO, ASSY	2	EA	
9	042270-000	KNOB, TRPL INFINITE, RANGE, D3PO, ASSY	1	EA	
10	PA010093	DESIGNER OVEN LT SWITCH KNOB	1	EA	
11	050172-000	KNOB BEZEL	7	EA	
12	PD020048	NO.10 X 1/2 TEK 410 SS SCREW	18	EA	
13	PD040004	GROMMET BUMPER	2	EA	
14	PD020061	SCREW	14	EA	





Item	Part No.	Name	Qty	Uom	NOTES
1	004526-000	10 x 1/2 PH, NPLT, TAPPING SCREW	6	EA	
2	027924-000	RACK, OVEN, DUEL FUEL, 30	2	EA	
3	029891-000	GLIDE RACK, DUEL FUEL 30"	1	EA	
4	032813-000	PNL, SIDE, RH, D3 - SS	1	EA	
4	035006-002	PNL, SIDE, RH, D3 - BK	1	EA	
4	035006-006	PNL, SIDE, RH, D3 - WH	1	EA	
5	032816-000	PNL, SIDE, LH, D3 - SS	1	EA	
5	035005-002	PNL, SIDE, LH, D3 - BK	1	EA	
5	035005-006	PNL, SIDE, LH, D3 - WH	1	EA	
6	032965-000	D3 ISLAND TRIM ASM	1	EA	
7	042511-000	KICK PLATE VIKING 30" - SS	1	EA	
7	042777-002	KICK PLATE VIKING 30" - BK	1	EA	
7	042777-006	KICK PLATE VIKING 30" - WH	1	EA	
8	044178-000	RANGE, LEG, ADJUSTABLE	4	EA	
9	PD020032	SRW-8(A)X3/8"PH.WFR HD 7/16DIA*NICL	6	EA	
10	066227-402	RACK SUPPORT, D3, ASM, LH, BK	1	EA	
11	066226-402	RACK SUPPORT, D3, ASM, RH, BK	1	EA	

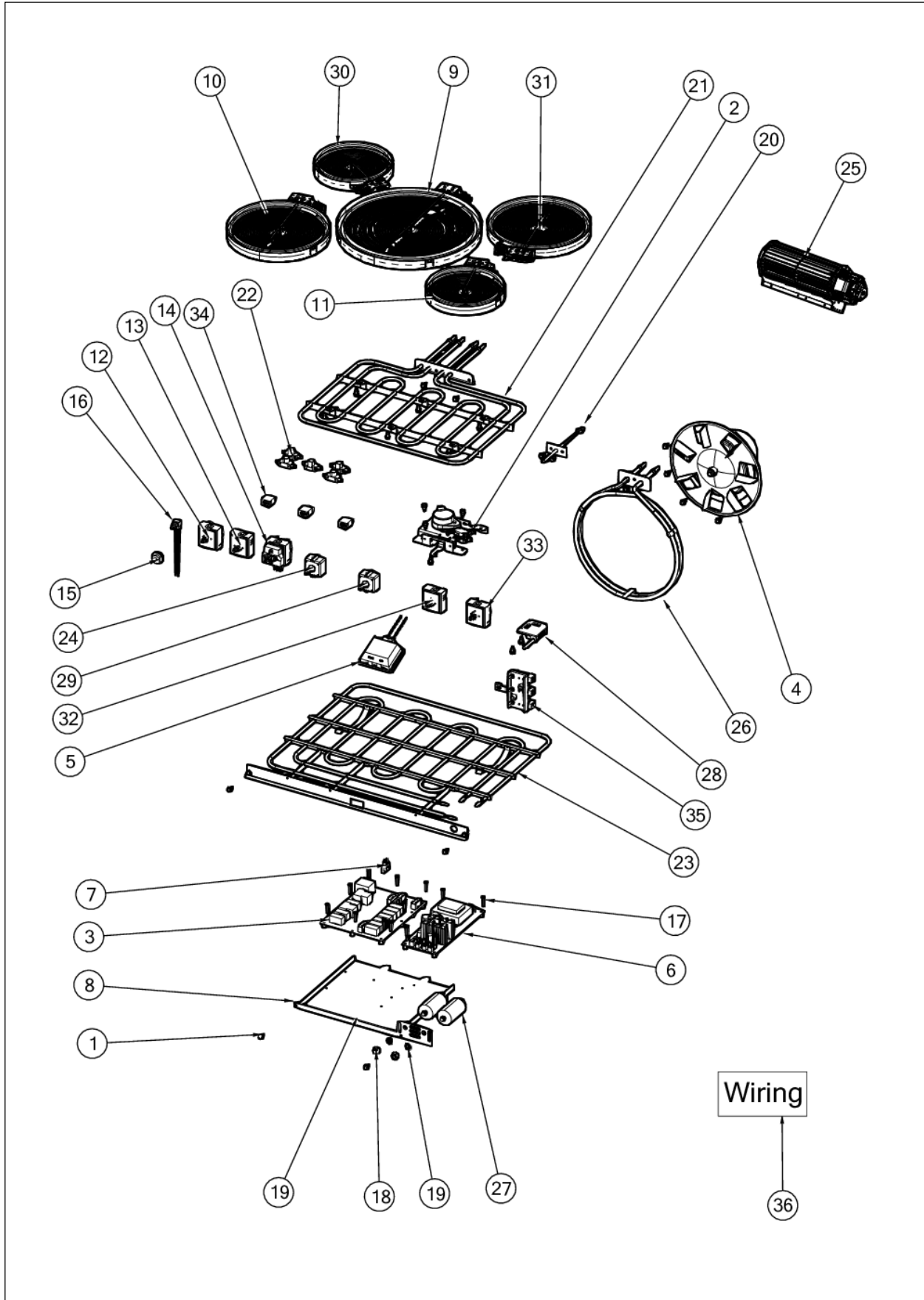
DOOR



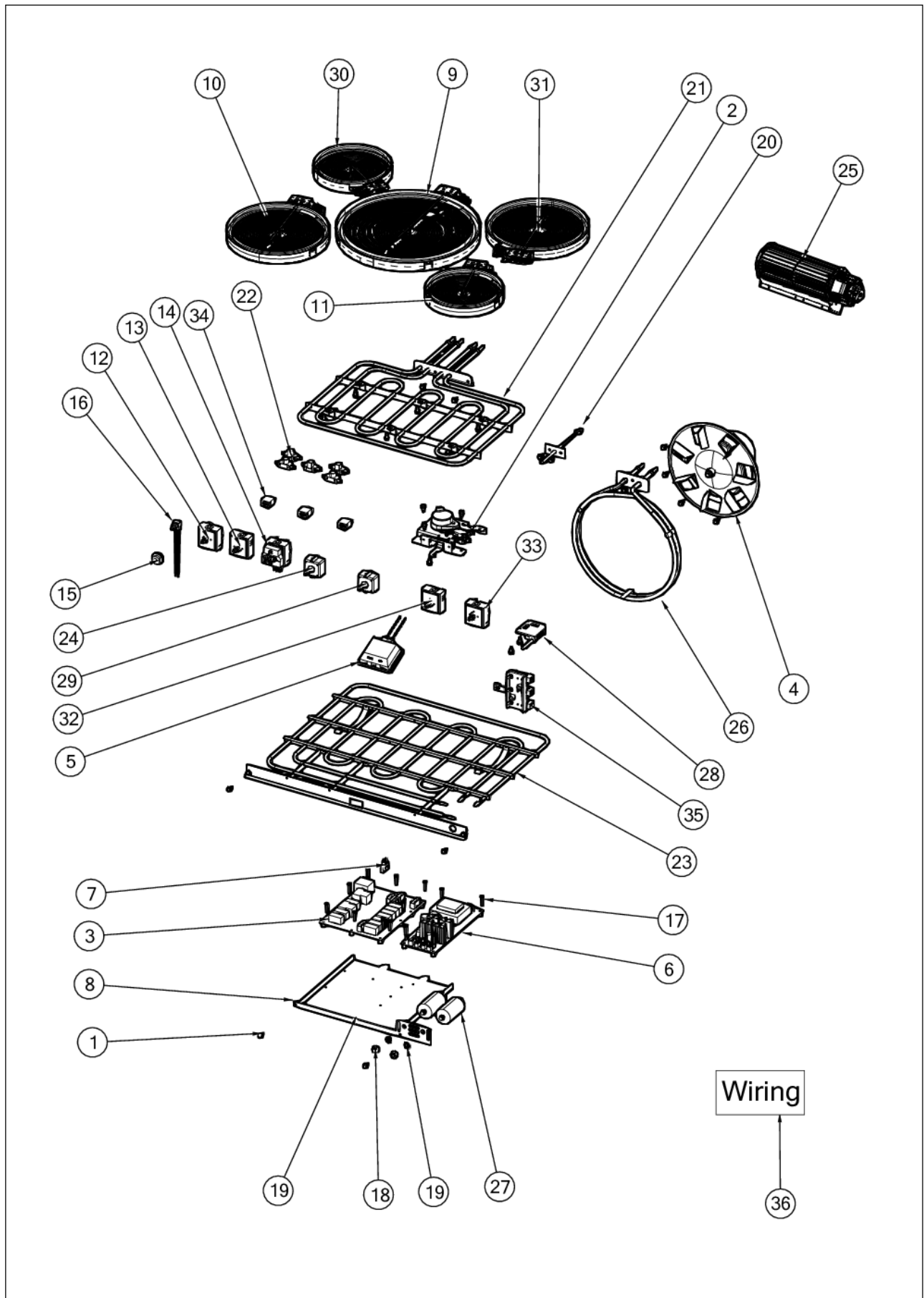


Item	Part No.	Name	Qty	Uom	NOTES
1	002740-000	DOOR HINGE	2	EA	See TC-0121- SP Service Bulletin
2	014221-000	1/4-20 X .625 HEX 316 SS	4	EA	
3	026965-000	ENDCAP, DOOR, HDL ASSY	2	EA	
4	032849-000	DOOR ASM, D3 RANGE	1	EA	
5	035590-000	HANDLE, TUBE	1	EA	
6	042068-000	DOOR, OUTER, D3PO, 30", SS, VIKING, ASSY - SS	1	EA	
6	042083-002	DOOR, OTR, D3PO, 30", DCBZ, VIKING, ASSY BK	1	EA	
6	042083-006	DOOR, OTR, D3PO, 30", DCBZ, VIKING, ASSY WH	1	EA	
7	042526-000	DOOR, RNG, ELEC, VIKING, SS ASSY	1	EA	
7	042527-002	DOOR, RNG, ELEC, VIKING, BK ASSY	1	EA	
7	042527-006	DOOR, RNG, ELEC, VIKING, WH ASSY	1	EA	
8	PD020063	SCREW-#8(A) X 3/8"PH WFR HD/BK OXID	8	EA	
9	PB070246	30" DOOR GASKET	1	EA	

ELECTRICAL



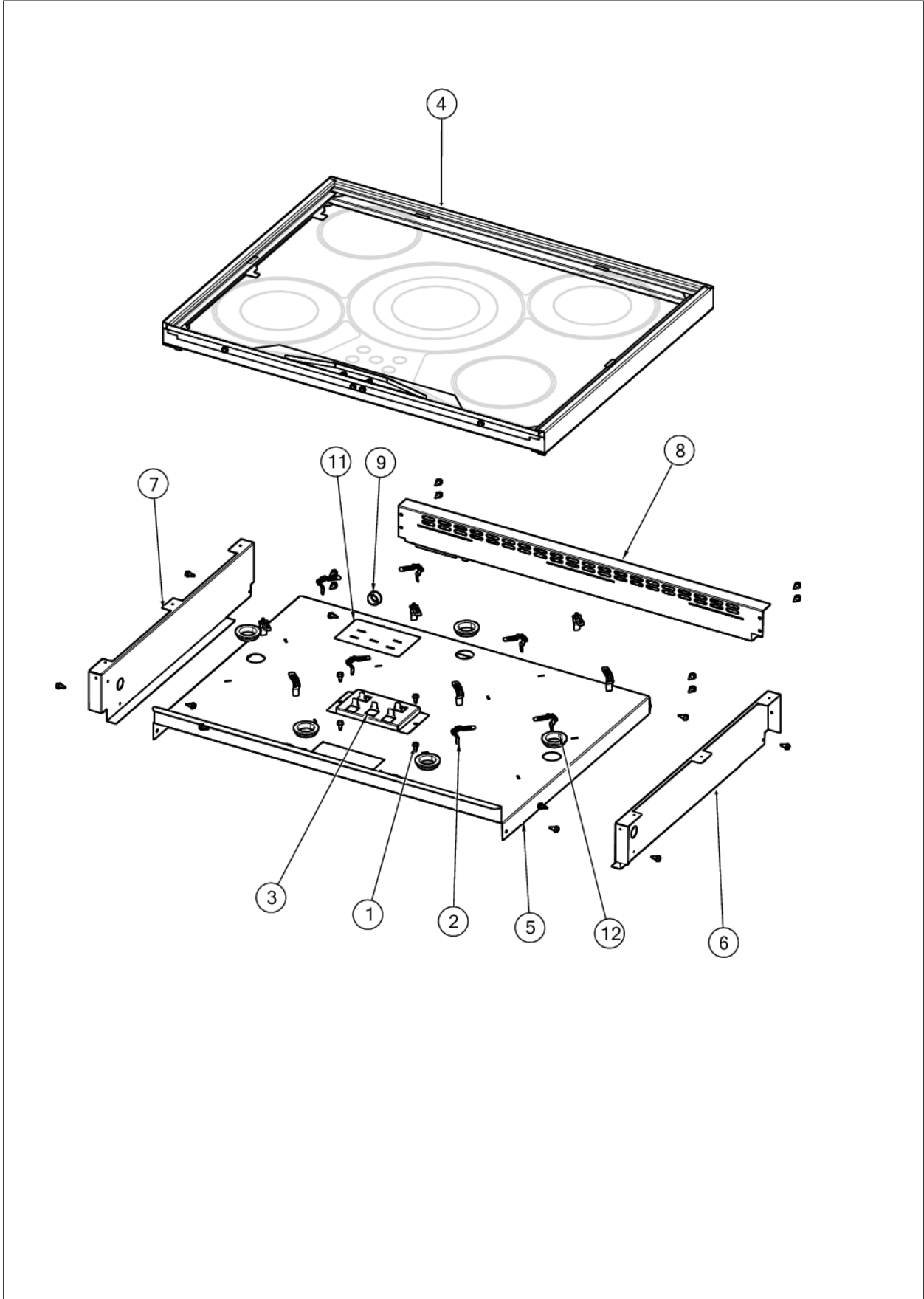
Item	Part No.	Name	Qty	Uom	NOTES
1	003860-000	FASTENER,SCR,HXWH,STL,ZP LT,10-18 x .500	17	EA	
2	013250-000	LATCH,DOOR,ASM,240V,GRID DLE LOCKOUT	1	EA	
Not Shown	NOTE	BEFORE SERIAL 100213C10111297		EA	
2	039293-000	LATCH, ELEC, 240V, ASSY	1	EA	
Not Shown	NOTE	SERIAL 100213C10111297 AND AFTER		EA	
3	046142-571	CONTROL, EOC4, LED, V39/V51 & FAMILY	1	EA	
4	015394-000	FAN, CNVN, ASM	1	EA	
5	020403-000	BJB SLIMLINE 40W BULB	1	EA	
6	021340-000	LINEAR POWER SUPPLY, SINGLE	1	EA	
7	023022-000	HARN, HEADER, MODEL 17 (SEE MODEL_HEADER)	1	EA	
8	023825-000	TRAY, CNTRL, EOC4 SMPS	1	EA	
9	031373-000	TRIPLE 3200W (1100/1000/1100) ELEMENT	1	EA	
10	031376-000	DOUBLE 2000W (1000/1000) ELEMENT	1	EA	
11	031377-000	EGO Single 1200W	1	EA	
12	031728-000	SINGLE INFINITE SWITCH	1	EA	
13	031733-000	DUAL INFINITE SWITCH	1	EA	
14	031734-000	TRIPLE INFINITE SWITCH	1	EA	
15	036576-000	LIGHT SWITCH HOLDER W/DOUBLE SIDED TAPE	1	EA	
16	G40015469	DESIGNER OVEN LIGHT SWITCH	1	EA	
17	PD020043	#6-32 X .750 PH. CTRSK T(F)- VGSO166	13	EA	
18	PD030172	M8 X 1.25MM NUT	2	EA	
19	PD040164	5/16 INTERNAL TOOTH LOCK WASHER TYPE A	2	EA	
20	PE050206	RTD THERMOSTAT PROBE	1	EA	
21	PJ010049	BROIL ELEMENT	1	EA	
22	PE050077	INDICATOR LIGHT	5	EA	
23	PJ010048	BAKE ELEMENT	1	EA	





Item	Part No.	Name	Qty	Uom	NOTES
24	PJ030033	SELECTOR (10 POS)	1	EA	
25	018607-000	FAN, BLO, 220-240V 50/60 HZ ASM	1	EA	
26	PJ010047	CONVECTION ELEMENT	1	EA	
27	036047-000	EBM FAN MOTOR CAPACITOR	2	EA	
28	PE050208	DOOR SWITCH	1	EA	
29	PJ030035	THERMOSTAT	1	EA	
<p>Comments for Part Num. PJ030035</p> <p>parts@lvdistributes.com on Feb 7, 2018 this is not the correct part for this range it should be a 003225-000 Reply by JREXEC02@AOL.COM on Feb 27, 2018 003225-000 is an Induction Control.</p> <p>PJ030035 is the red colored thermostat for the Gas Range *****</p>					
30	031377-000	EGO Single 1200W	1	EA	
31	031376-000	DOUBLE 2000W (1000/1000) ELEMENT	1	EA	
32	031733-000	DUAL INFINITE SWITCH	1	EA	
33	031728-000	SINGLE INFINITE SWITCH	1	EA	
34	043135-000	HOUSING, LIGHT, LED, BLUE 3.3V	3	EA	
35	PE070147	TERMINAL BLOCK (VDSC)	1	EA	
36	020019-000	HARNESS, WRG, CONTROL	1	EA	
36	023096-000	ADAPTER, HARN, ASM, LIGHT, SWITCH	1	EA	
36	024869-000	RIBBON CABLE, RH	1	EA	
36	038693-000	HARN, MAIN, OVEN, VDSC	1	EA	
36	057594-000	JMPR, LED, 240v ADPT	1	EA	
36	PE070739	BAKE ELEMENT HARNESS	1	EA	
36	G4000936	GROUND WIRE	1	EA	
36	035057-000	WIRE HARNESS, LIGHT / SWITCH	1	EA	
36	035085-000	WIRE HARNESS, MAIN, RDSCE	1	EA	
36	035116-000	WIRE HARNESS, SWITCH	2	EA	
36	035117-000	WIRE HARNESS, SWITCH, CTR	1	EA	

SURFACE





Item	Part No.	Name	Qty	Uom	NOTES
1	003860-000	FASTENER,SCR,HXWH,STL,ZP LT,10-18 x .500	12	EA	
2	026923-000	CLIP, SPRING, ELECTRIC ELEMENT	12	EA	
3	033491-000	BRACKET, LIGHT, D3	1	EA	
4	031773-000	TOP FRAME ASM W/GRAPHICS, RDSCE230	1	EA	
5	031179-000	TRAY, MTG, 5-BURNER	1	EA	
6	033521-000	BURNER BOX, SIDE, RH, RDSCE	1	EA	Not available online / Call for pricing and availability
7	033534-000	BURNER BOX, SIDE, LH, RDSCE	1	EA	
8	033538-000	SUPPORT, REAR, RDSCE	1	EA	
9	PD040005	SNAP BUSHING, 7/8"	1	EA	
11	034673-000	INSULATION, ELEC	1	EA	
12	PB070320	SILICONE EXTRUSION	8	EA	



Appendix A:Pages Index

BASE	1
CONTROL	2
DECOR	3
DOOR	4
ELECTRICAL	5
SURFACE	6



Appendix B:Parts Index

002740-000	4	026965-000	4
002941-000	1	027924-000	3
003051-000	1	027968-000	2
003272-000	1	029891-000	3
003333-000	1	031179-000	6
003356-000	1	031373-000	5
003860-000	1, 5, 6	031376-000	5, 5
004110-000	1	031377-000	5, 5
004285-000	1	031462-000	2
004526-000	3	031679-000	1
005255-000	1	031728-000	5, 5
013250-000	5	031733-000	5, 5
013526-000	1	031734-000	5
013528-000	1	031773-000	6
013542-000	1	032813-000	3
013547-000	1	032816-000	3
013563-000	1	032849-000	4
013572-000	1	032857-000	1
014137-000	1	032858-402	1
014221-000	4	032861-000	1
014240-000	1	032965-000	3
014246-000	1	033491-000	6
014553-000	1	033521-000	6
014554-000	1	033534-000	6
015394-000	5	033538-000	1, 6
015607-000	1	034673-000	6
015615-000	1	034927-000	1
018607-000	5	034928-000	1
019185-000	1	035005-002	3
019186-000	1	035005-006	3
020019-000	5	035006-002	3
020403-000	5	035006-006	3
020474-000	2	035057-000	5
021340-000	5	035085-000	5
023022-000	5	035116-000	5
023096-000	5	035117-000	5
023825-000	5	035590-000	4
024415-000	1	035893-000	2
024869-000	5	035895-000	2
026923-000	6	036047-000	5
		036576-000	5



038693-000	5	PD020032	3
039089-2388	2	PD020043	5
039145-000	1	PD020048	2
039155-000	1	PD020061	2
039293-000	5	PD020063	4
042068-000	4	PD030109	1
042083-002	4	PD030172	5
042083-006	4	PD040004	2
042266-000	2	PD040005	6
042267-000	2	PD040164	5
042268-000	2	PE050077	5
042269-000	2	PE050206	5
042270-000	2	PE050208	5
042511-000	3	PE070147	5
042526-000	4	PE070739	5
042527-002	4	PJ010047	5
042527-006	4	PJ010048	5
042777-002	3	PJ010049	5
042777-006	3	PJ030033	5
043135-000	5	PJ030035	5
044178-000	3	PM010014	1
046142-571	5		
050172-000	2		
057594-000	5		
066226-402	3		
066227-402	3		
A20010101	1		
A20012649	1		
A20014021	1		
A20014044	1		
A2002195	1		
A2002454	1		
A2009641	1		
A2009697	1		
G4000936	5		
G40015469	5		
PA010093	2		
PB020275	1		
PB070246	4		
PB070320	6		
PC030007	1		