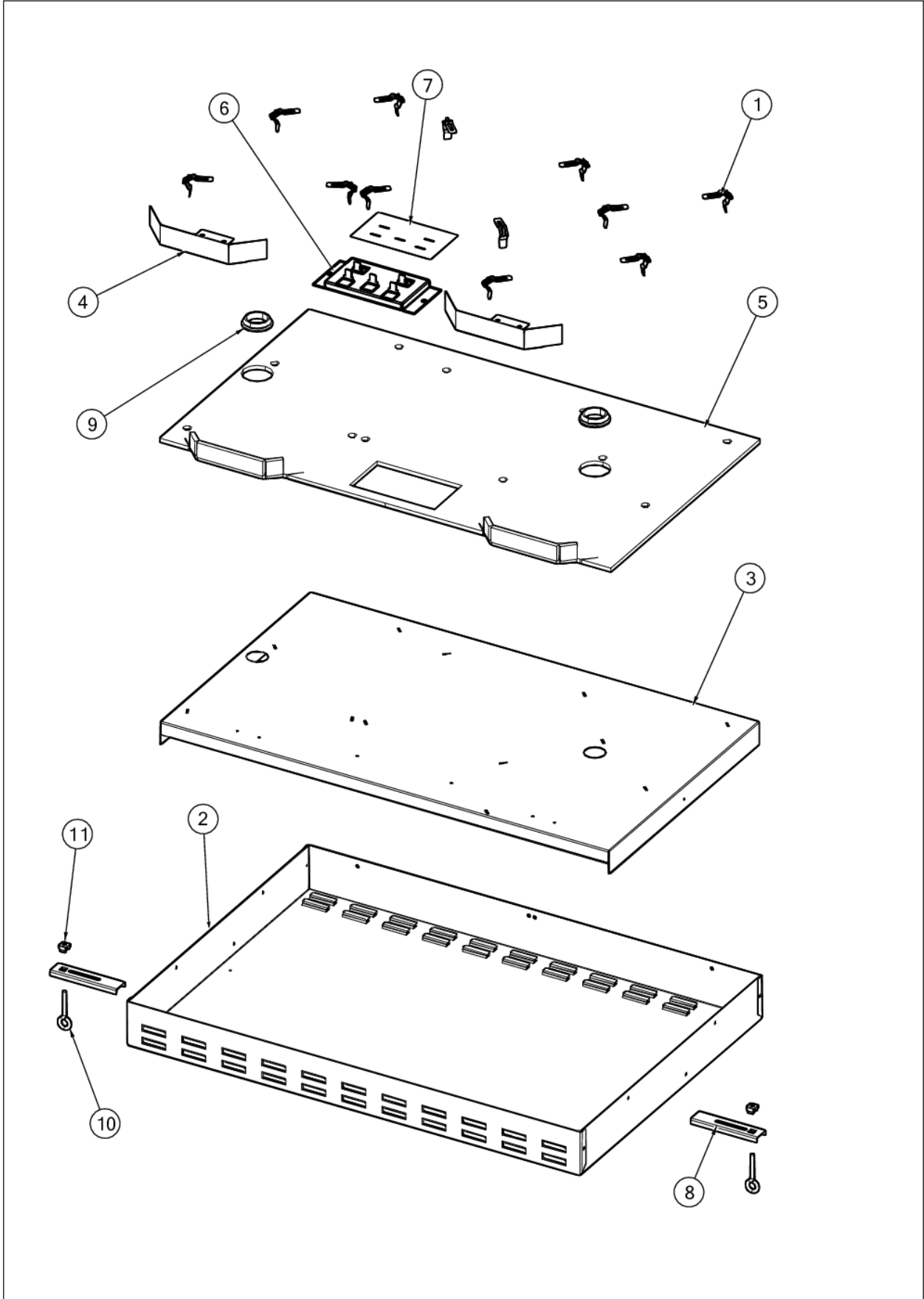


**RVEC3305B**

BASE .....	1
DECOR .....	2
ELECTRICAL .....	3
Appendix A:Pages Index .....	A
Appendix B:Parts Index .....	B

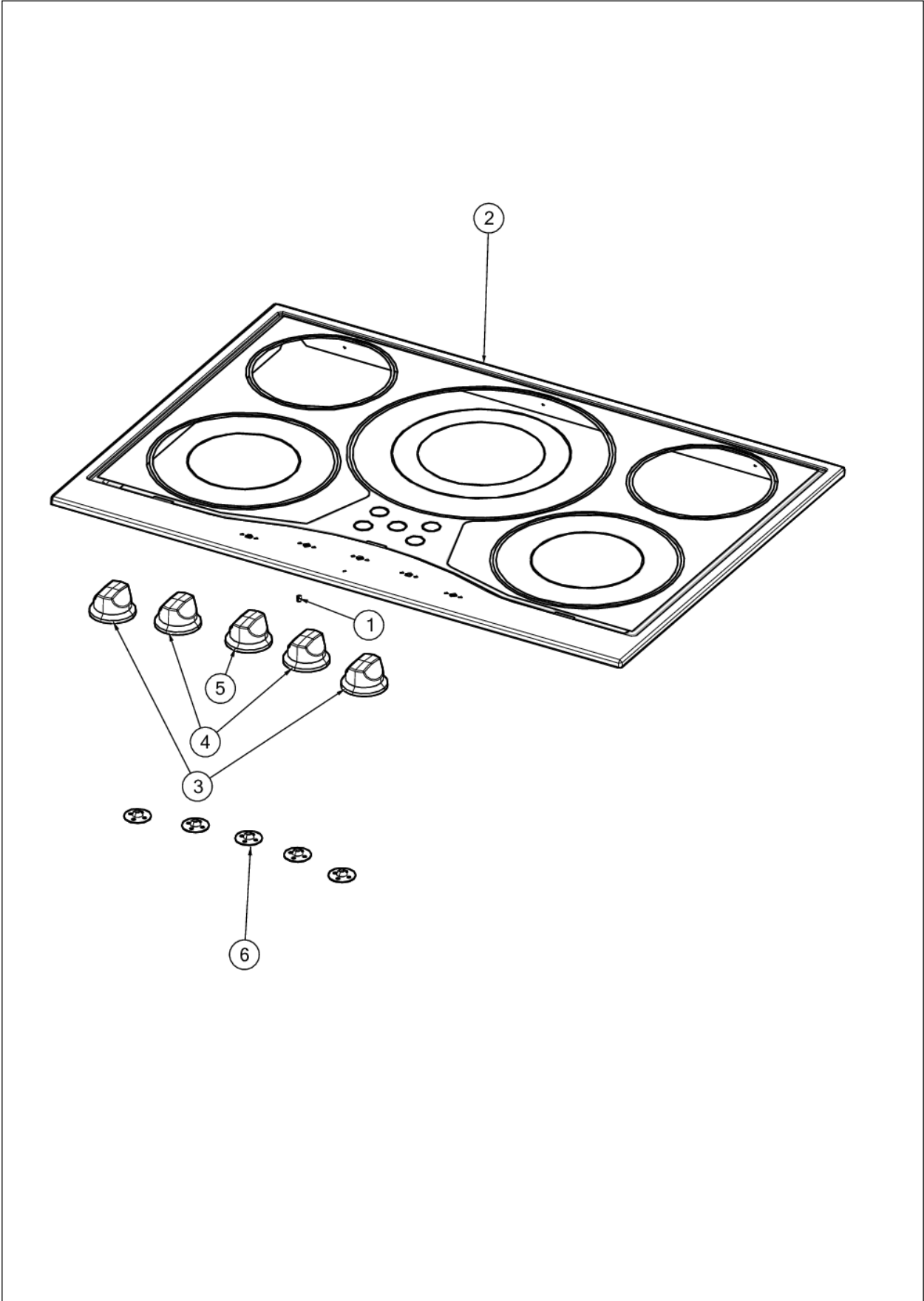


BASE





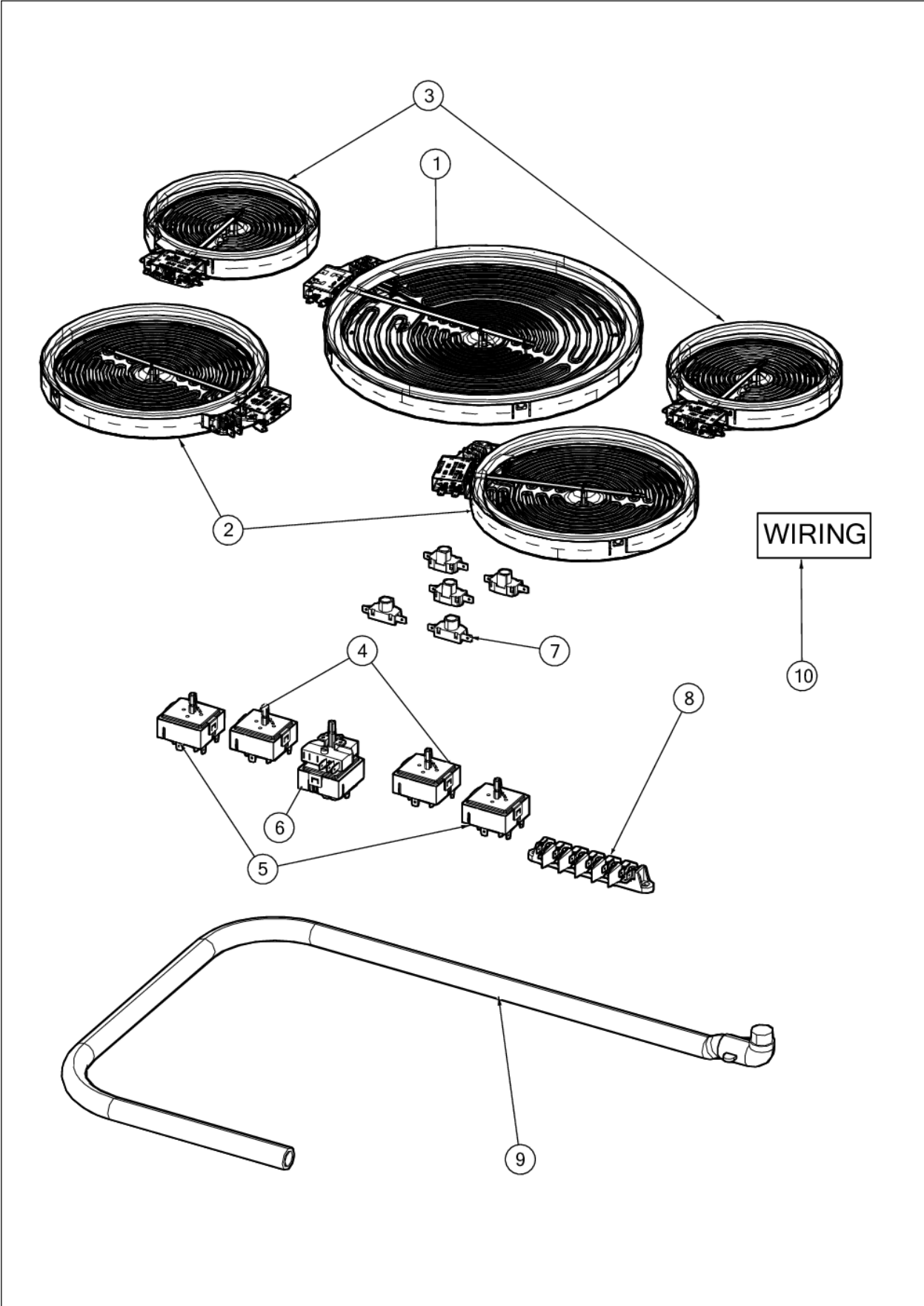
Item	Part No.	Name	Qty	Uom	NOTES
1	026923-000	CLIP, SPRING, ELECTRIC ELEMENT	12	EA	
2	031951-000	D3 Burner Box 30" CT	1	EA	
3	032139-000	30" CROSS BRACE	1	EA	
4	032995-000	HEAT SHIELD	2	EA	
5	033352-000	D3 COOKTOP 30" INSULATION	1	EA	
6	033491-000	BRACKET, LIGHT, D3	1	EA	
7	034673-000	INSULATION, ELEC	1	EA	
8	038618-000	BRACKET, HOLD	2	EA	
9	PB070320	SILICONE EXTRUSION	2	EA	
10	PD010027	EYE BOLT-VGSU101/161	2	EA	
11	PD030029	SELF RETAINING NUT (1/4-20)	2	EA	





Item	Part No.	Name	Qty	Uom	NOTES
1	017579-000	LENS, BLUE	1	EA	
2	042876-2539	RVEC3305B 30 GLASS TOP ASM	1	EA	
3	042164-000	KNOB, SNGL INF, COOKTOP, BLADE, D3PO, ASSY	2	EA	
4	042165-000	KNOB, DUAL INF, COOKTOP, BLADE, D3PO, ASSY	2	EA	
5	042166-000	KNOB, TRIPLE INF, COOKTOP, BLADE, D3PO, ASSY	1	EA	
6	PB070078	SILICONE GASKET (DESU)	5	EA	
NI	049336-000	30" KIT FOR RVEC3305B	1	EA	
Not Shown	NOTE	(FOR UNITS BUILT BEFORE 1/5/14)		EA	

ELECTRICAL







Item	Part No.	Name	Qty	Uom	NOTES
1	031373-000	TRIPLE 3200W (1100/1000/1100) ELEMENT	1	EA	
2	031376-000	DOUBLE 2000W (1000/1000) ELEMENT	2	EA	
3	031377-000	EGO Single 1200W	2	EA	
4	031728-000	SINGLE INFINITE SWITCH	2	EA	
5	031733-000	DUAL INFINITE SWITCH	2	EA	
6	031734-000	TRIPLE INFINITE SWITCH	1	EA	
7	PE050077	INDICATOR LIGHT	5	EA	
8	054135-000	BLOCK, TERMINAL, 6-POLE (Heyco # 9454)	1	EA	
9	032247-000	CONDUIT, D3 COOKTOP	1	EA	
10	034826-000	WIRE HARNESS, MAIN, RDECU206	1	EA	



Appendix A:Pages Index

BASE .....	1
DECOR .....	2
ELECTRICAL .....	3



Appendix B:Parts Index

017579-000 ..... 2  
026923-000 ..... 1  
031373-000 ..... 3  
031376-000 ..... 3  
031377-000 ..... 3  
031728-000 ..... 3  
031733-000 ..... 3  
031734-000 ..... 3  
031951-000 ..... 1  
032139-000 ..... 1  
032247-000 ..... 3  
032995-000 ..... 1  
033352-000 ..... 1  
033491-000 ..... 1  
034673-000 ..... 1  
034826-000 ..... 3  
038618-000 ..... 1  
042164-000 ..... 2  
042165-000 ..... 2  
042166-000 ..... 2  
042876-2539 ..... 2  
049336-000 ..... 2  
054135-000 ..... 3  
PB070078 ..... 2  
PB070320 ..... 1  
PD010027 ..... 1  
PD030029 ..... 1  
PE050077 ..... 3