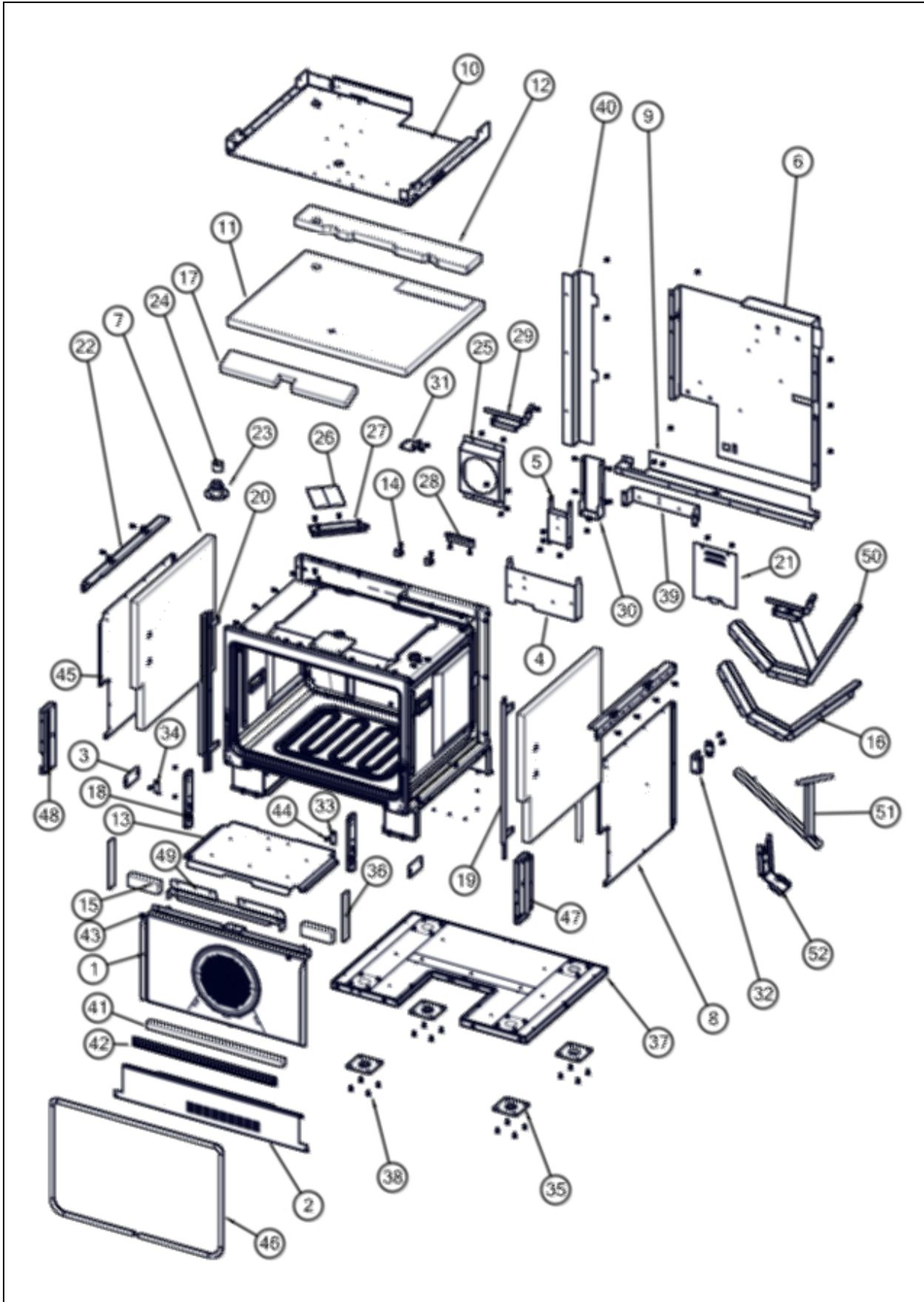


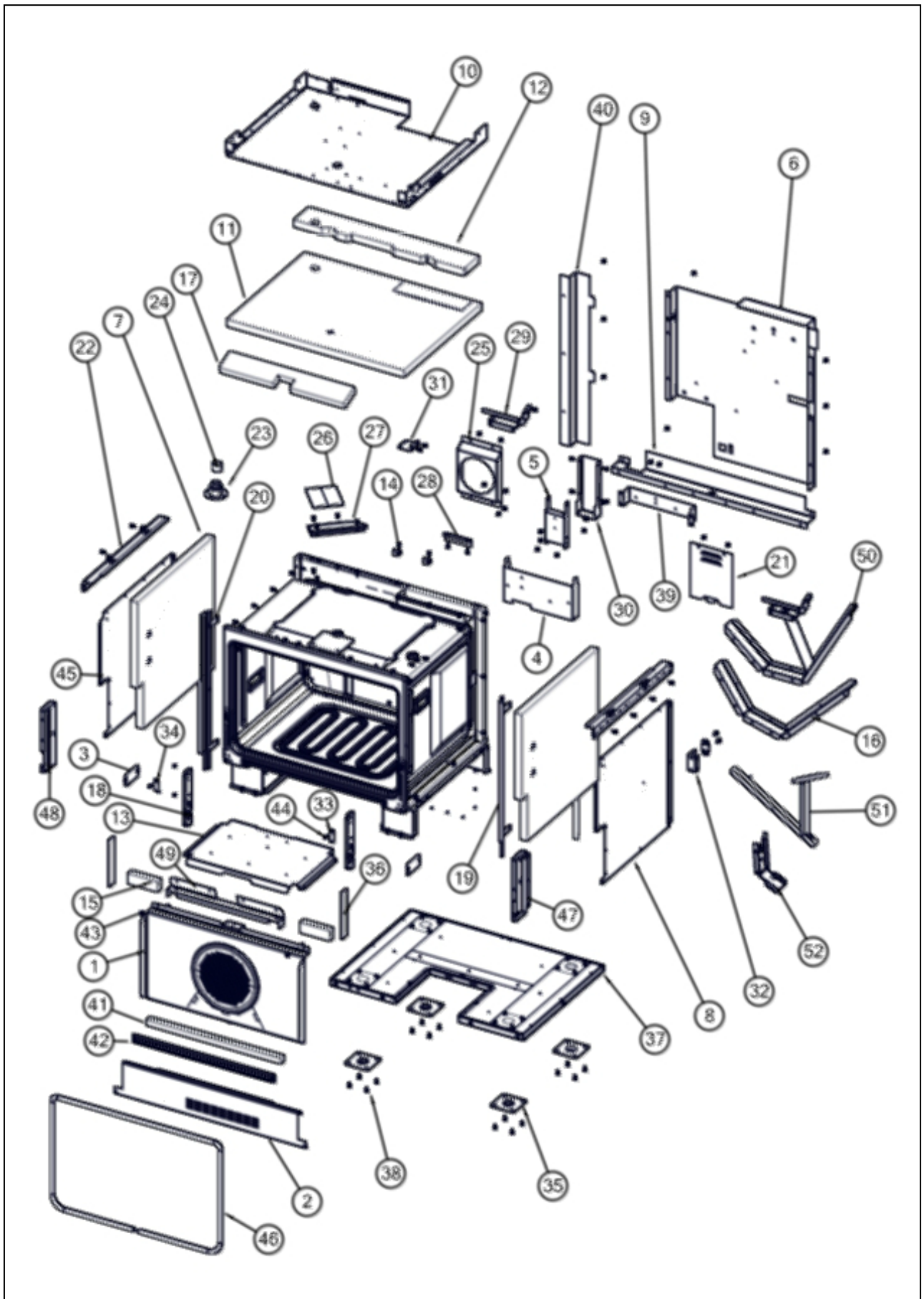
RVDR33015B

BASE	1
SURFACE	2
CONTROL	3
GAS	4
DECOR	5
DOOR	6
ELECTRICAL	7
Appendix A:Pages Index	A
Appendix B:Parts Index	B

BASE



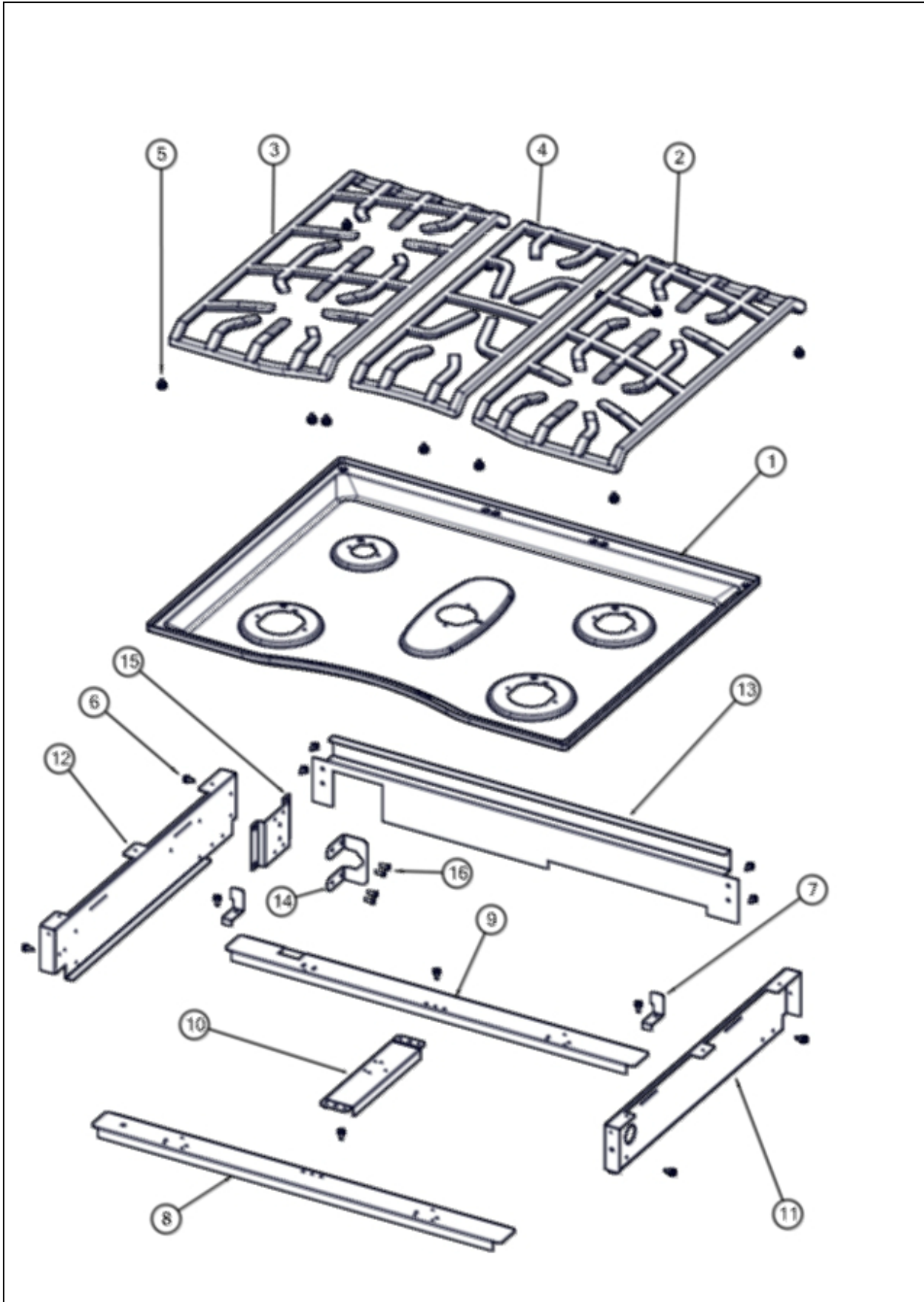
Item	Part No.	Name	Qty	Uom	NOTES
1	032857-000	BAFFLE, CNVN, ASM, D3 BLACK	1	EA	
2	014246-000	GRILL, LOWER	1	EA	
3	032858-402	COVER, LT, BK PORCELAIN	2	EA	
4	014553-000	DUCT, AIR	1	EA	
5	014554-000	BOX, FLUE, FRONT	1	EA	
6	003272-000	COVER, BACK-INTERNATIONAL	1	EA	
7	013528-000	30 SIDE INSULATION	2	EA	
8	048194-000	RETAINER, INSULATION, WRAPPER, RH	1	EA	
9	014240-000	LEDGE, BACK	1	EA	
10	015615-000	BRACE, RNG, AIR CHANNEL	1	EA	
11	013526-000	30" TOP INSULATION	1	EA	
12	013542-000	30" TOP BROIL INSULATION	1	EA	
13	A20014021	REFLECTOR, BROIL	1	EA	
14	PD030109	INSULATED CLAMP	2	EA	
15	005255-000	HINGE INSULATION	2	EA	
16	049784-000	BAFFLE, FAN, REAR	1	EA	
17	013563-000	LINER FRONT INSULATION	1	EA	
18	045060-000	RECEIVER, HINGE, SLOW-CLOSE, UNDAMPENED	2	EA	
19	019185-000	TRIM, FR, RH, DSCD	1	EA	
20	019186-000	TRIM, FR, LH, DSCD	1	EA	
21	035342-000	BACK, COVER, ACCESS DOOR	1	EA	
22	A2009641	BRKT, TOP WRAPPER	2	EA	
23	PM010014	SMOKE ELIMINATOR (VDSC)	1	EA	
24	PB020275	VENT TUBE	1	EA	
25	A2009697	BRACKET, CONVECTION INSULATION	1	EA	
26	004285-000	INSULATION, FOIL-BACKED, 4"x5"	1	EA	
27	003333-000	DUCT, FLUE	1	EA	
28	A20014044	BROIL ELEMENT SHIELD	1	EA	
29	003356-000	DIVERTER, AIR	1	EA	
30	A20010101	FLUE, OUTSIDE SHELL	1	EA	





Item	Part No.	Name	Qty	Uom	NOTES
31	A20012649	DOOR SWITCH BRACKET	1	EA	
32	A2002195	POWER CORD MOUNTING BRKT (VDSC)	1	EA	
33	039145-000	RETAINER, HINGE	1	EA	
34	039155-000	RETAINER, HINGE	1	EA	
35	PC030007	LEG PLATE - 3/4" THREADED HOLE	4	EA	
36	013572-000	HINGE INSULATION	2	EA	
37	003052-000	BASE TOP PLATE	1	EA	
38	003860-000	10-18 x .500 FASTNR,SCR,HXWH,STL,ZPLT	16	EA	
39	004110-000	Blower Mount	1	EA	
40	015607-000	CHANNEL, WIRE, DSCD	1	EA	
41	013547-000	BAKE ELEMENT INSULATION	1	EA	
42	E9109655	COVER, BAKE TRAY	1	EA	
43	PD020048	NO.10 X 1/2 TEK 410 SS SCREW	2	EA	
44	PD020061	' #8 X 3/4 FLAT HD TEK. *SS*	2	EA	
45	048200-000	RETAINER, WRAPPER, INSULATION, LH	1	EA	
46	051590-000	GASKET, LINER, DF, ASM, 30"	1	EA	
47	048195-000	SHIM, SHIELD, RETAINER, RH HINGE	1	EA	
48	048199-000	SHIM, SHIELD, RETAINER, LH HINGE	1	EA	
49	024234-000	BRACKET, BROILER, FRONT	1	EA	
50	049755-000	DIVERTER, AIR, BACK WALL, VDSC	1	EA	
51	049755-000	DIVERTER, AIR, BACK WALL, VDSC	1	EA	
52	049785-000	BAFFLE, FAN, REAR, TOP	1	EA	
NI	034927-000	BRACKET, ANTI-TIP	1	EA	
NI	034928-000	BRACKET, HOOK, ANTI-TIP	1	EA	
NI	049133-000	BRACE, FRONT, BURNER BOX	1	EA	
NI	048458-000	INSULATION KIT #2	1	EA	

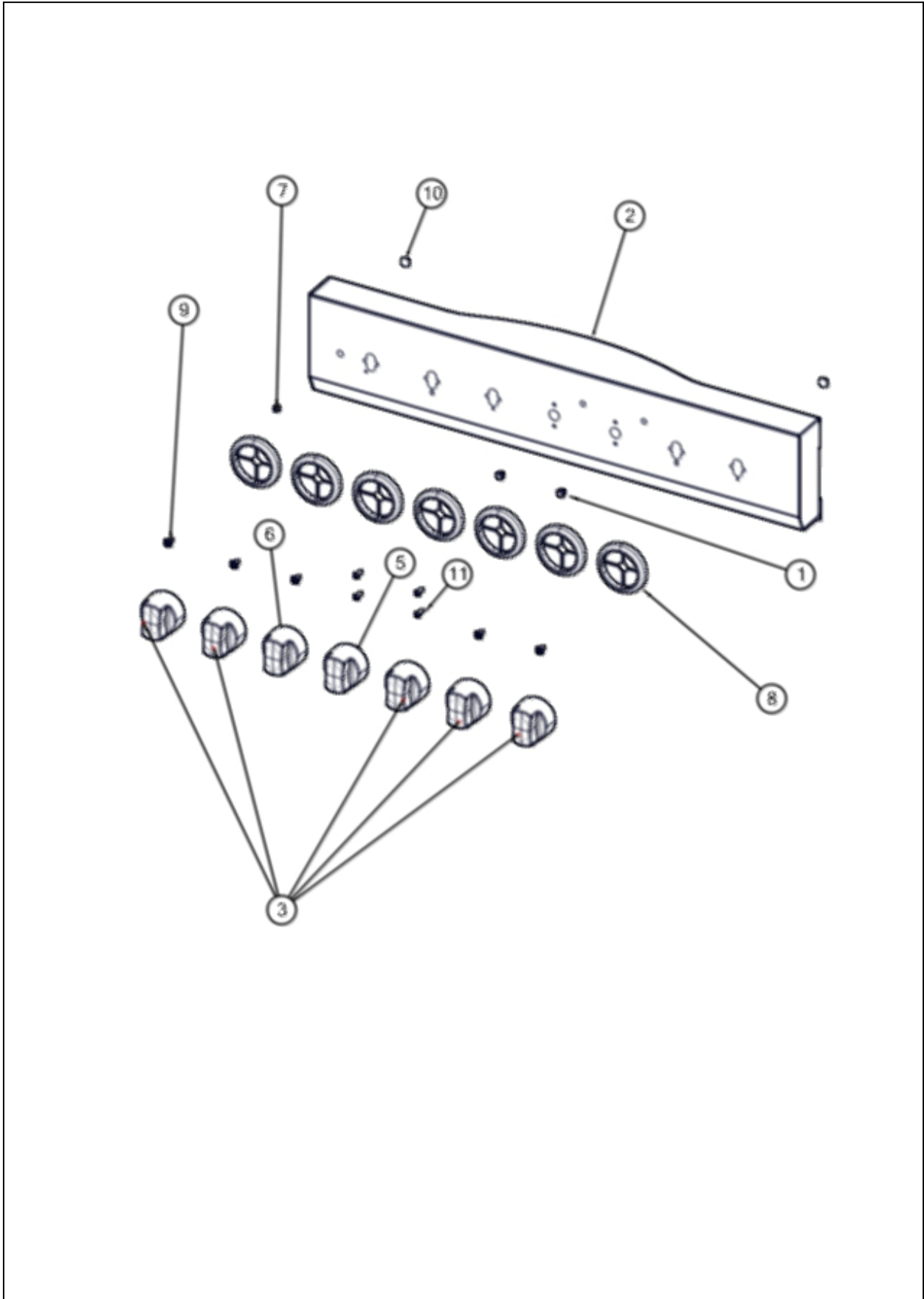
SURFACE





Item	Part No.	Name	Qty	Uom	NOTES
1	043681-402	TOP, RANGE, 30"	1	EA	
2	031223-000	D3 RH GRATE ASM	1	EA	
3	031224-000	D3 LH GRATE ASM	1	EA	
4	031225-000	D3 CENTER GRATE ASM	1	EA	
5	031430-000	GRATE, FOOT	12	EA	
6	003860-000	10-18 x .500 FASTNR,SCR,HXWH,STL,ZPLT	10	EA	
7	015106-000	SIDE TRIM SUPPORT	2	EA	
8	043698-000	BURNER CHANNEL, FRONT	1	EA	
9	031004-000	BURNER CHANNEL, REAR	1	EA	
10	031005-000	CENTER BURNER CHANNEL	1	EA	
11	031073-000	PANEL, BURNER BOX SIDE, RH	1	EA	
12	031074-000	PANEL, BURNER BOX SIDE, LH	1	EA	
13	033181-000	SUPPORT, REAR D3, DUEL FUEL	1	EA	
14	038704-000	REGULATOR BRACKET	1	EA	
15	038705-000	TRAY, REGULATOR	1	EA	
16	PD020261	' #8-32X1/2" PH PANHEAD MACH. SCREW	3	EA	

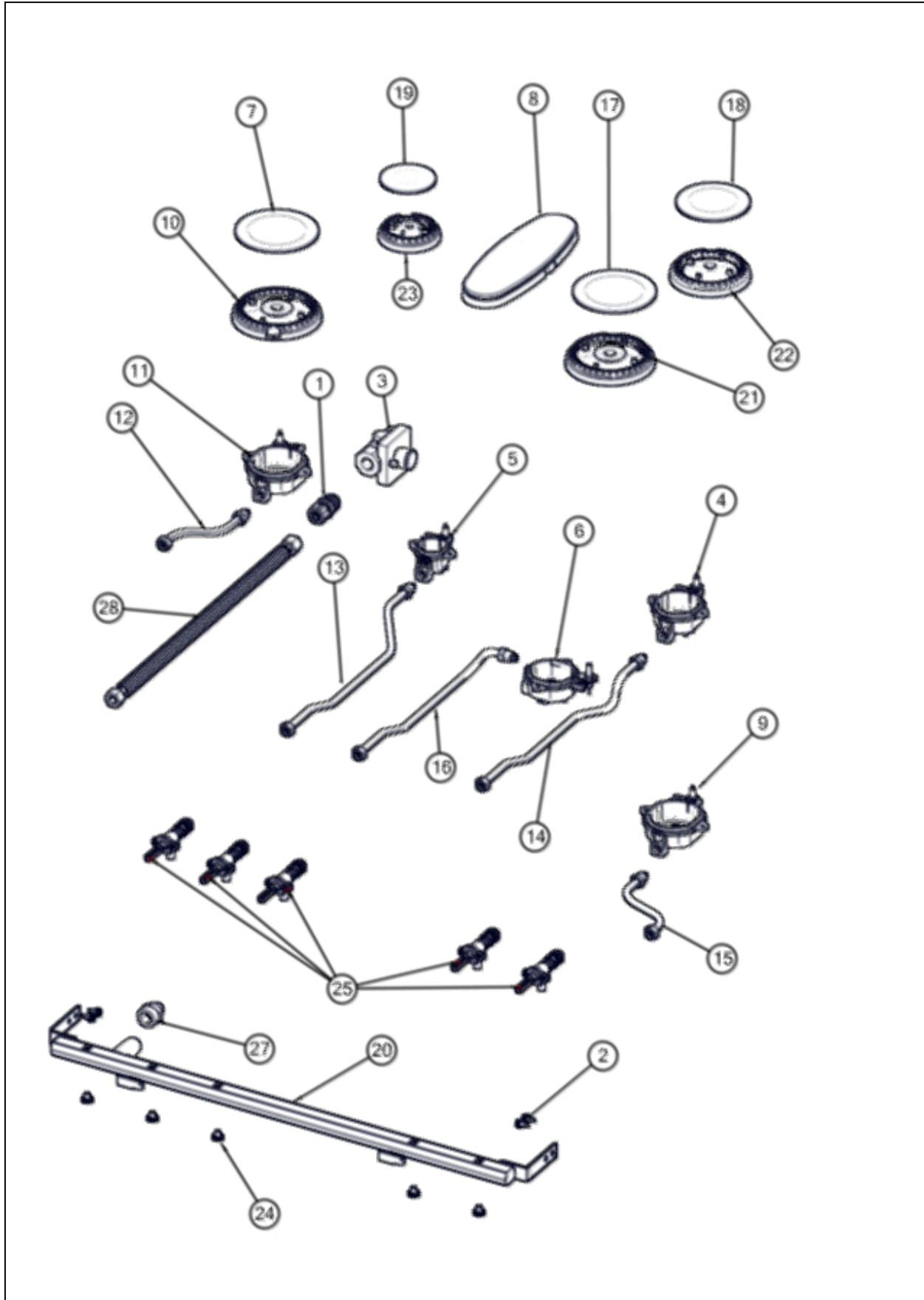
CONTROL



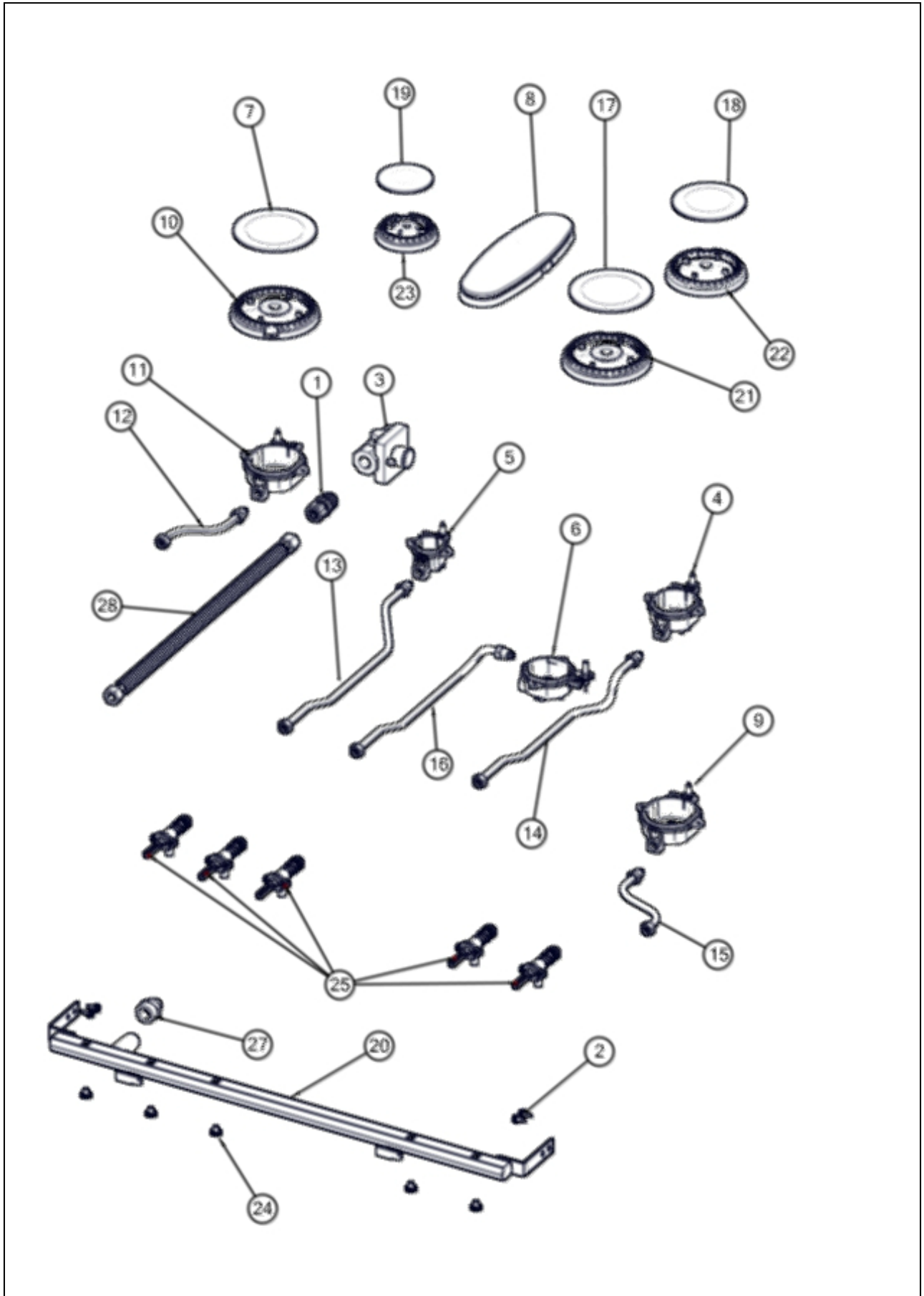


Item	Part No.	Name	Qty	Uom	NOTES
1	027968-000	INDICATOR, LIGHT, BLUE	2	EA	
2	039090-2393	PANEL, CTRL, RDSCD/RDSCG230 ASM	1	EA	
Not Shown	NOTE	MUST ORDER PART # 036576- 000 WITH PANEL		EA	
3	042263-000	KNOB, GAS VALVE, RANGE, D3PO, ASSY	5	EA	
Not Shown	NOTE	(BEFORE 08/08/13)		EA	
3	042658-000	KNOB, BNR, TOP, PRO, CR3	5	EA	
Not Shown	NOTE	(ON OR AFTER 08/08/13)		EA	
5	042266-000	KNOB, TSTAT, RANGE, D3PO, ASSY	1	EA	
Not Shown	NOTE	(BEFORE 09/10/13)		EA	
5	035893-000	KNOB,OVN,TSTAT, PRO VDSC/VESC CR3	1	EA	
Not Shown	NOTE	(ON OR AFTER 09/10/13)		EA	
6	042267-000	KNOB, SEL, ELEC, RANGE, D3PO, ASSY	1	EA	
Not Shown	NOTE	(BEFORE 09/10/13)		EA	
6	035895-000	KNOB,OVN,SEL, PRO VDSC/VESC CR3	1	EA	
Not Shown	NOTE	(ON OR AFTER 09/10/13)		EA	
7	PA010093	DESIGNER OVEN LT SWITCH KNOB	1	EA	
8	050172-000	BEZEL, KNOB	7	EA	
9	PD020046	#8 X 1/2 SCREWS	5	EA	
10	PD040004	GROMMET BUMPER	2	EA	
11	PD020261	' #8-32X1/2" PH PANHEAD MACH. SCREW	4	EA	

GAS

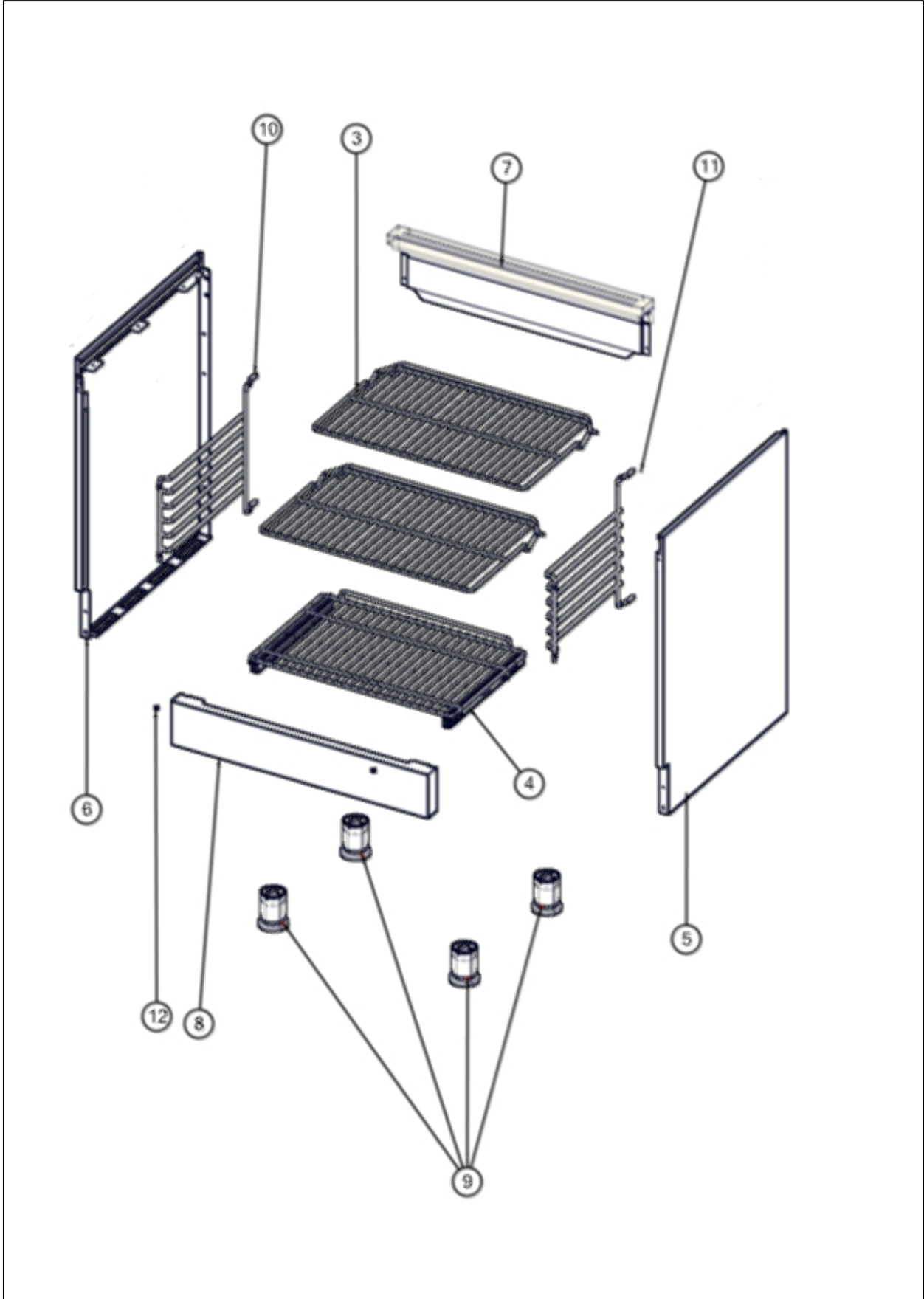


Item	Part No.	Name	Qty	Uom	NOTES
1	000845-000	1/2" COMP TO 1/2" MALE NPT ADAPTER	1	EA	
2	003860-000	10-18 x .500 FASTNR,SCR,HXWH,STL,ZPLT	1	EA	
3	023883-000	REGULATOR, PRSS, NAT, 5", DESIGNER	1	EA	
3	023884-000	REGULATOR, PRSS, L.P., 10" DESIGNER	1	EA	
4	030973-000	BNR BASE, RAPID, 12000 BTU	1	EA	
5	030974-000	BNR BASE, SEMIRAPID, 8000 BTU	1	EA	
6	030977-000	BURNER BASE, FISH, 9200 BTU	1	EA	
7	031412-000	BNR CAP, ULTRARAPID, 18000 BTU	1	EA	
8	030984-000	FISH BURNER, 92000 BTU	1	EA	
9	031022-000	BNR BASE, ULTRARAPID, 18000 BTU	1	EA	
10	031416-000	BNR HEAD, ULTRARAPID, 18000 BTU	1	EA	
11	043672-000	BNR BASE, ULTRARAPID	1	EA	
12	031393-000	RF BURNER TUBING	1	EA	
13	031388-000	LR BURNER TUBE	1	EA	
14	031392-000	RR BURNER TUBING	1	EA	
15	031393-000	RF BURNER TUBING	1	EA	
16	031400-000	TUBING, FISH BURNER	1	EA	
17	031412-000	BNR CAP, ULTRARAPID, 18000 BTU	1	EA	
18	031413-000	BNR CAP, RAPID, 12000 BTU	1	EA	
19	031414-000	BNR CAP, SIMIRAPID, 80000 BTU	1	EA	
20	049591-000	MANIFOLD, GAS, 30"	1	EA	
21	031416-000	BNR HEAD, ULTRARAPID, 18000 BTU	1	EA	
22	031417-000	BNR HEAD, RAPID, 12000 BTU	1	EA	
23	031418-000	BNR HEAD, SEMIRIPID, 8000 BTU	1	EA	
24	PD010012	VALVE BOLT 1/4-20 UNC-2B 5/16" M.S.	5	EA	
25	031804-000	VALVE, TOP BURNER	5	EA	





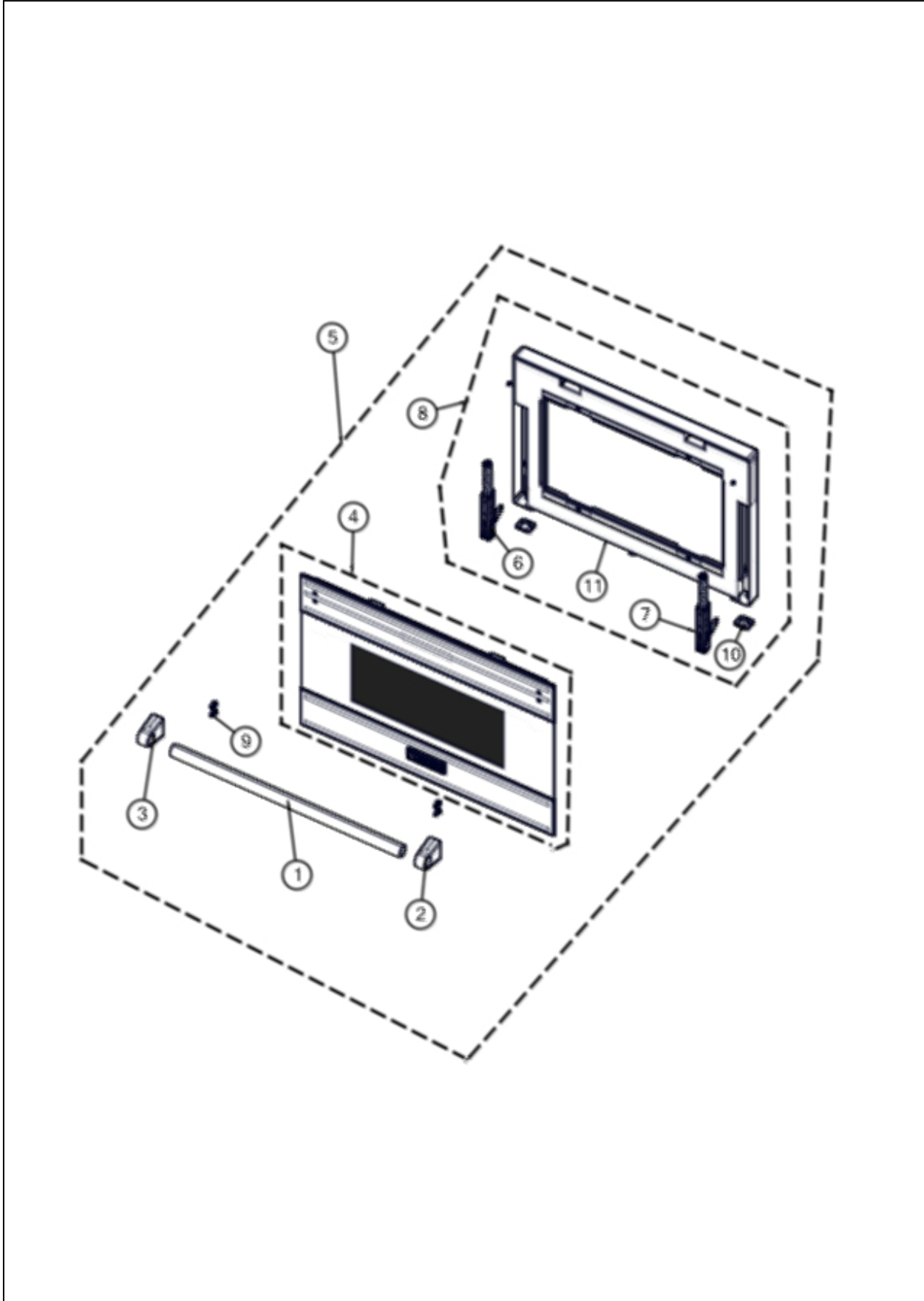
Item	Part No.	Name	Qty	Uom	NOTES
27	034765-000	1/2" FEMALE PIPE TO 1/2" COMP FITTING	1	EA	
28	039214-000	TUBING, FLEX, SST, 18"	1	EA	
NI	043850-000	RANGES LP TOP BURNER ORIFICES	1	EA	





Item	Part No.	Name	Qty	Uom	NOTES
3	051821-000	RACK, OVEN, DUAL FUEL 30"	2	EA	
4	051820-000	RACK, GLIDE, DUAL FUEL 30"	1	EA	
5	051276-000	PNL, OUTER, SIDE, RH	1	EA	
5	035006-002	PNL, SIDE, RH, D3 - BK	1	EA	
5	035006-006	PNL, SIDE, RH, D3 - WH	1	EA	
6	051277-000	PNL, OUTER, SIDE, LH-	1	EA	
6	035005-002	PNL, SIDE, LH, D3 - BK	1	EA	
6	035005-006	PNL, SIDE, LH, D3 - WH	1	EA	
7	051869-000	ISLAND TRIM ASM	1	EA	
8	042511-000	KICK PLATE VIKING 30" - SS	1	EA	
8	042777-002	KICK PLATE VIKING 30" - BK	1	EA	
8	042777-006	KICK PLATE VIKING 30" - WH	1	EA	
9	044178-000	RANGE, LEG, ADJUSTABLE	4	EA	
10	066227-402	RACK SUPPORT, D3, ASM, LH, BK	1	EA	
11	066226-402	RACK SUPPORT, D3, ASM, RH, BK	1	EA	
12	PD020032	SRW-8(A)X3/8"PH.WFR HD 7/16DIA*NICL	2	EA	

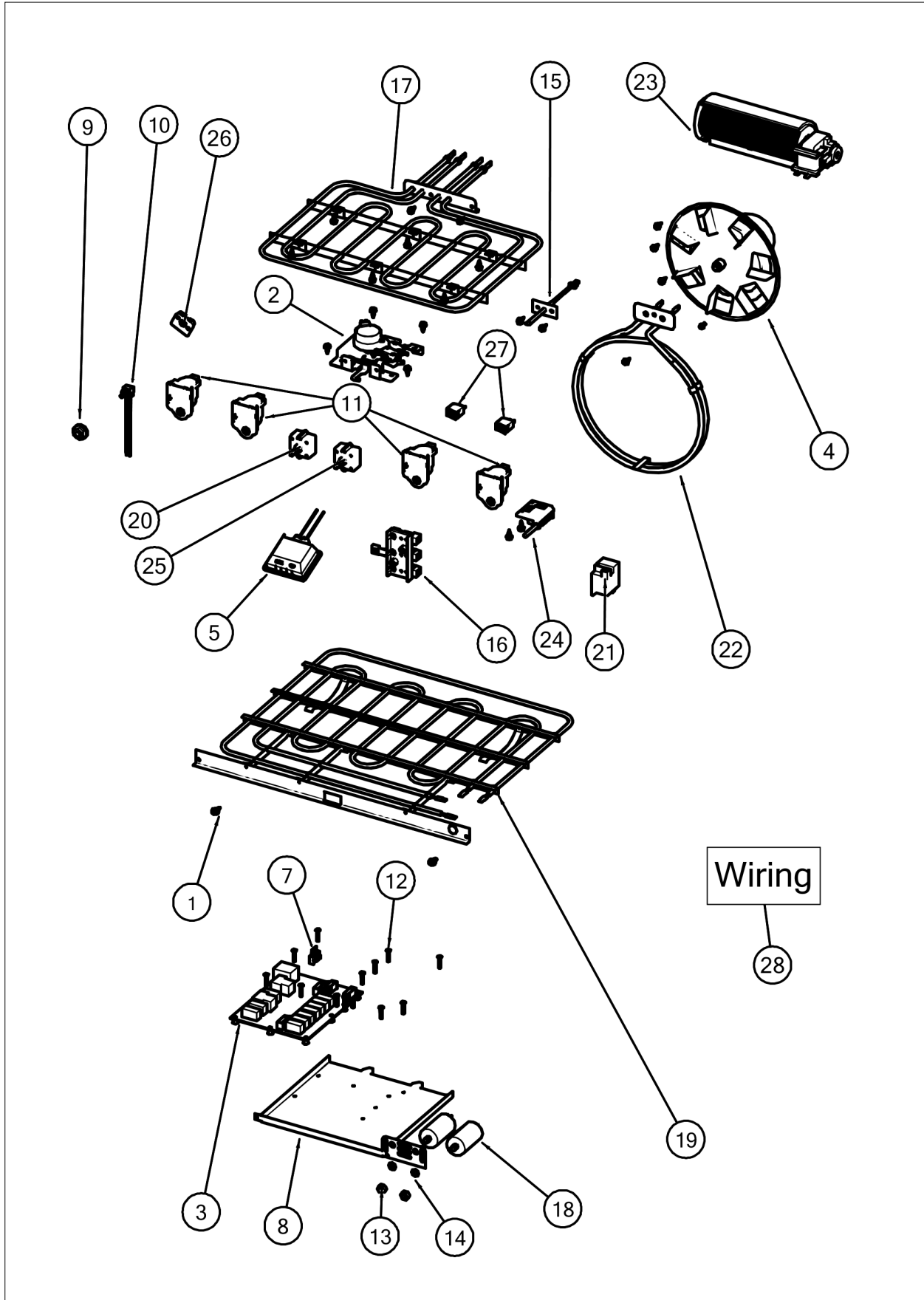
DOOR





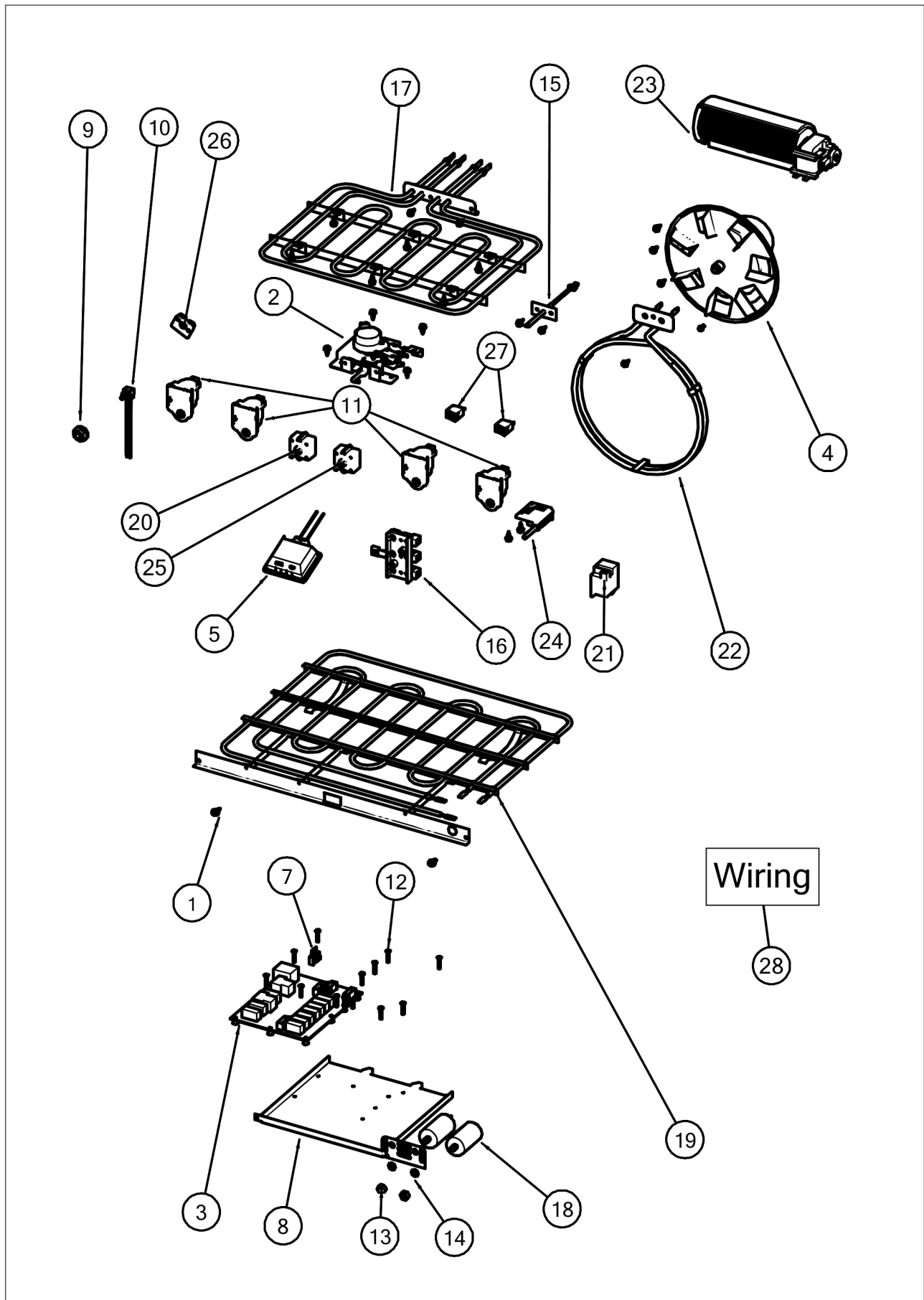
Item	Part No.	Name	Qty	Uom	NOTES
1	035590-000	W/O DF GAS SS HANDLE	2	EA	
2	026954-000	ENDCAP,HDL	1	EA	
3	026965-000	END CAP, ASM, DOOR HANDLE	1	EA	
4	042068-000	DOOR, OUTER, D3PO, 30", SS, VIKING, ASSY - SS	1	EA	
4	042083-002	DOOR, OTR, D3PO, 30", DCBZ, VIKING, ASSY BK	1	EA	
4	042083-006	DOOR, OTR, D3PO, 30", DCBZ, VIKING, ASSY WH	1	EA	
5	052713-000	DOOR, RNG, ELEC, VIKING, SS, ASSY	1	EA	
6	046547-000	HINGE, NUOVA STAR, LH, WHITE	1	EA	
7	046546-000	HINGE, NUOVA STAR, RH, WHITE	1	EA	
8	049014-000	LINER, DOOR ASSY 30"	1	EA	
9	014221-000	1/4-20 X .625 HEX 316 SS	4	EA	
10	048954-000	SHIM, HINGE, DF	2	EA	
11	049013-402	LINER, DOOR, WLD, ASSY 30" BK	1	EA	

ELECTRICAL





Item	Part No.	Name	Qty	Uom	NOTES
1	003860-000	10-18 x .500 FASTNR,SCR,HXWH,STL,ZPLT	19	EA	
2	013250-000	LATCH,DOOR,ASM,240V,GRID DLE LOCKOUT	1	EA	
Not Shown	NOTE	BEFORE 10/31/13		EA	
2	039293-000	LATCH, ELEC, 240V, ASSY	1	EA	
Not Shown	NOTE	ON OR AFTER 10/31/13		EA	
3	002406-000	CONTROL BOARD	1	EA	
<p>Comments for Part Num. 002406-000</p> <p>haarnink@vikingrange.com on Jun 18, 2015</p> <p>For the international E Model numbers EVDSC5 we need to add the info that since First unit was EVDSC530S4B: 092314C10147281 any EVDSC built in 2014 went into production with EOC4. so here we need to add the part number 014000-000 EOC4 plus the SMPS part number 013999-000</p>					
4	015394-000	FAN, CNVN, ASM	1	EA	
5	020403-000	LAMP, OVEN, 120V/40W	1	EA	
7	005292-000	HARN,HEADER, MODEL 5 (SEE MODEL_HEADER)	1	EA	
8	015096-000	PLATE, MTG, EOC4 CONTROL BOARD	1	EA	
9	036576-000	LIGHT SWITCH ASM	1	EA	
10	G40015469	LIGHT SWITCH ASSEMBLY	1	EA	
11	035795-000	MODULE, IGN, GAS,SNGL	4	EA	
12	PD020043	#6-32 X .750 PH. CTRSK T(F)- VGSO166	14	EA	
13	PD030172	M8 X 1.25MM NUT	2	EA	
14	PD040164	5/16 INTERNAL TOOTH LOCK WASHER TYPE A	2	EA	
15	PE050206	RTD THERMOSTAT PROBE	1	EA	
16	PE070147	TERMINAL BLOCK (VDSC)	1	EA	
17	PJ010049	BROIL ELEMENT	1	EA	
18	036047-000	CAPACITOR, CONV MOTOR, INTL	2	EA	
19	PJ010048	BAKE ELEMENT	1	EA	
20	PJ030033	SELECTOR (10 POS)	2	EA	
21	000915-000	LIMIT JUMPER	1	EA	





Item	Part No.	Name	Qty	Uom	NOTES
22	PJ010047	CONVECTION ELEMENT	1	EA	
23	018607-000	FAN, BLO, 220-240V 50/60Hz ASM (MT1664)	1	EA	
24	PE050208	DOOR SWITCH	1	EA	
25	PJ030035	THERMOSTAT	1	EA	
<p>Comments for Part Num. PJ030035</p> <p>parts@lvdistributes.com on Feb 7, 2018 this is not the correct part for this range it should be a 003225-000 Reply by JREXEC02@AOL.COM on Feb 27, 2018 003225-000 is an Induction Control.</p> <p>PJ030035 is the red colored thermostat for the Gas Range *****</p>					
26	PE070734	SINGLE OVEN HEADER	1	EA	
27	043135-000	HOUSING, LIGHT, LED, BLUE, 3.3V	2	EA	
28	004133-000	CONTROL PANEL HARNESS	1	EA	
28	024869-000	RIBBON CABLE, RH	1	EA	
28	023096-000	ADAPTER, HARN, ASM, LIGHT, SWITCH	1	EA	
28	057979-000	HARN, RVDR3301-5B, MAIN	1	EA	
28	057635-000	WIRE, IRIS, IGNITOR, FRONT- 18"	2	EA	Not available online / Call for pricing and availability
28	059953-604	HARN, ELEC, BURN, BSI, EGRID, REAR, FAB	3	EA	Not available online / Call for pricing and availability
28	051443-000	LED VOLTAGE DROP JUMPER 240V	2	EA	
28	PE070739	BAKE ELEMENT HARNESS	1	EA	
28	PE070754	TEST HARNESS SINGLE	1	EA	Not available online / Call for pricing and availability
28	004295-000	HARNESS,POWER,IRIS,45" LONG	1	EA	



Appendix A:Pages Index

BASE	1
CONTROL	3
DECOR	5
DOOR	6
ELECTRICAL	7
GAS	4
SURFACE	2



Appendix B:Parts Index

000845-000	4	026954-000	6
000915-000	7	026965-000	6
002406-000	7	027968-000	3
003052-000	1	030973-000	4
003272-000	1	030974-000	4
003333-000	1	030977-000	4
003356-000	1	030984-000	4
003860-000	1, 2, 4, 7	031004-000	2
004110-000	1	031005-000	2
004133-000	7	031022-000	4
004285-000	1	031073-000	2
004295-000	7	031074-000	2
005255-000	1	031223-000	2
005292-000	7	031224-000	2
013250-000	7	031225-000	2
013526-000	1	031388-000	4
013528-000	1	031392-000	4
013542-000	1	031393-000	4, 4
013547-000	1	031400-000	4
013563-000	1	031412-000	4, 4
013572-000	1	031413-000	4
014221-000	6	031414-000	4
014240-000	1	031416-000	4, 4
014246-000	1	031417-000	4
014553-000	1	031418-000	4
014554-000	1	031430-000	2
015096-000	7	031804-000	4
015106-000	2	032857-000	1
015394-000	7	032858-402	1
015607-000	1	033181-000	2
015615-000	1	034765-000	4
018607-000	7	034927-000	1
019185-000	1	034928-000	1
019186-000	1	035005-002	5
020403-000	7	035005-006	5
023096-000	7	035006-002	5
023883-000	4	035006-006	5
023884-000	4	035342-000	1
024234-000	1	035590-000	6
024869-000	7	035795-000	7
		035893-000	3



035895-000	3	049785-000	1
036047-000	7	050172-000	3
036576-000	7	051276-000	5
038704-000	2	051277-000	5
038705-000	2	051443-000	7
039090-2393	3	051590-000	1
039145-000	1	051820-000	5
039155-000	1	051821-000	5
039214-000	4	051869-000	5
039293-000	7	052713-000	6
042068-000	6	057635-000	7
042083-002	6	057979-000	7
042083-006	6	059953-604	7
042263-000	3	066226-402	5
042266-000	3	066227-402	5
042267-000	3	A20010101	1
042511-000	5	A20012649	1
042658-000	3	A20014021	1
042777-002	5	A20014044	1
042777-006	5	A2002195	1
043135-000	7	A2009641	1
043672-000	4	A2009697	1
043681-402	2	E9109655	1
043698-000	2	G40015469	7
043850-000	4	PA010093	3
044178-000	5	PB020275	1
045060-000	1	PC030007	1
046546-000	6	PD010012	4
046547-000	6	PD020032	5
048194-000	1	PD020043	7
048195-000	1	PD020046	3
048199-000	1	PD020048	1
048200-000	1	PD020061	1
048458-000	1	PD020261	2, 3
048954-000	6	PD030109	1
049013-402	6	PD030172	7
049014-000	6	PD040004	3
049133-000	1	PD040164	7
049591-000	4	PE050206	7
049755-000	1, 1	PE050208	7
049784-000	1	PE070147	7



PE070734	7
PE070739	7
PE070754	7
PJ010047	7
PJ010048	7
PJ010049	7
PJ030033	7
PJ030035	7
PM010014	1