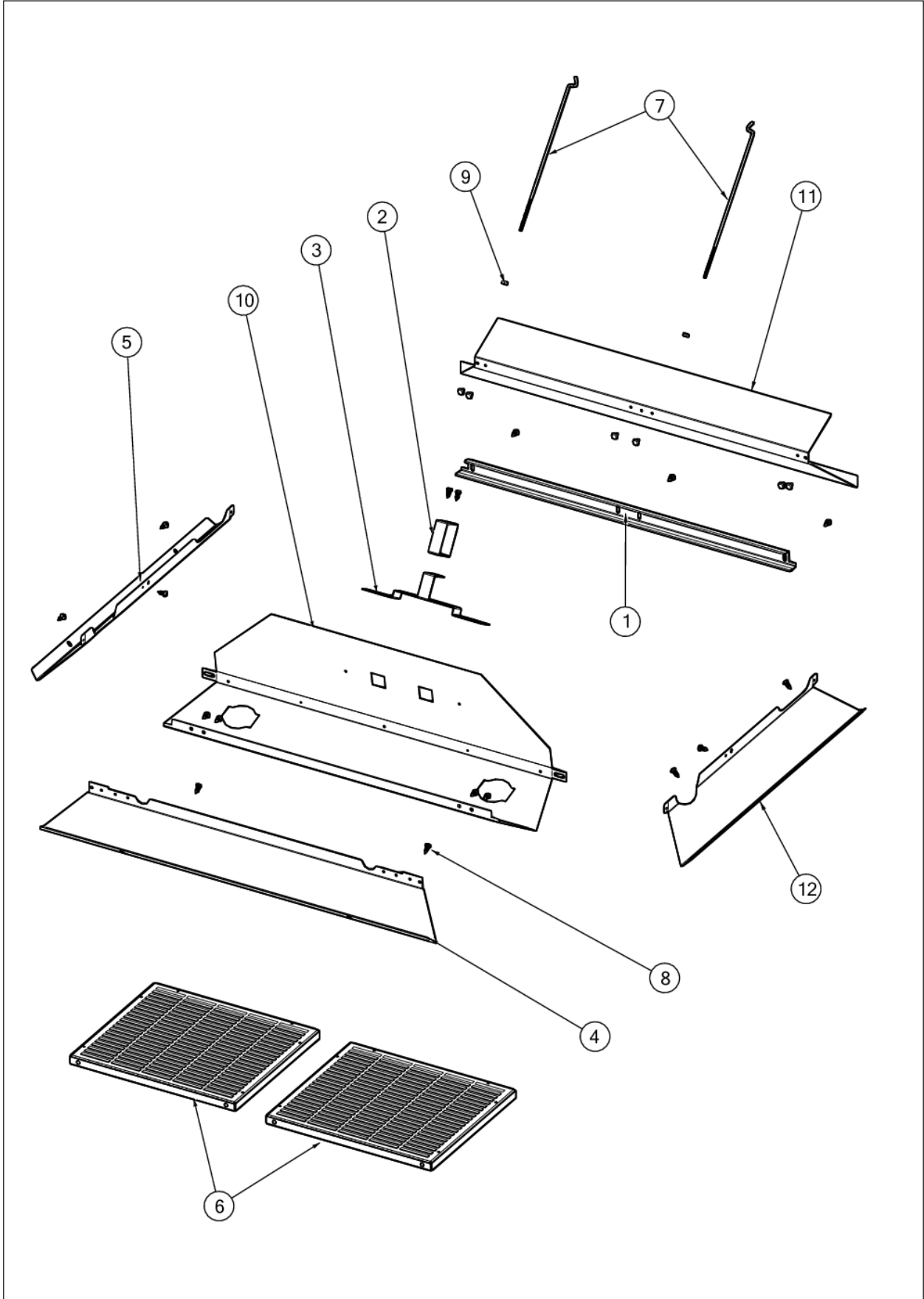


**RVCH330**

BASE .....	1
DECOR .....	2
ELECTRICAL .....	3
Appendix A:Pages Index .....	A
Appendix B:Parts Index .....	B



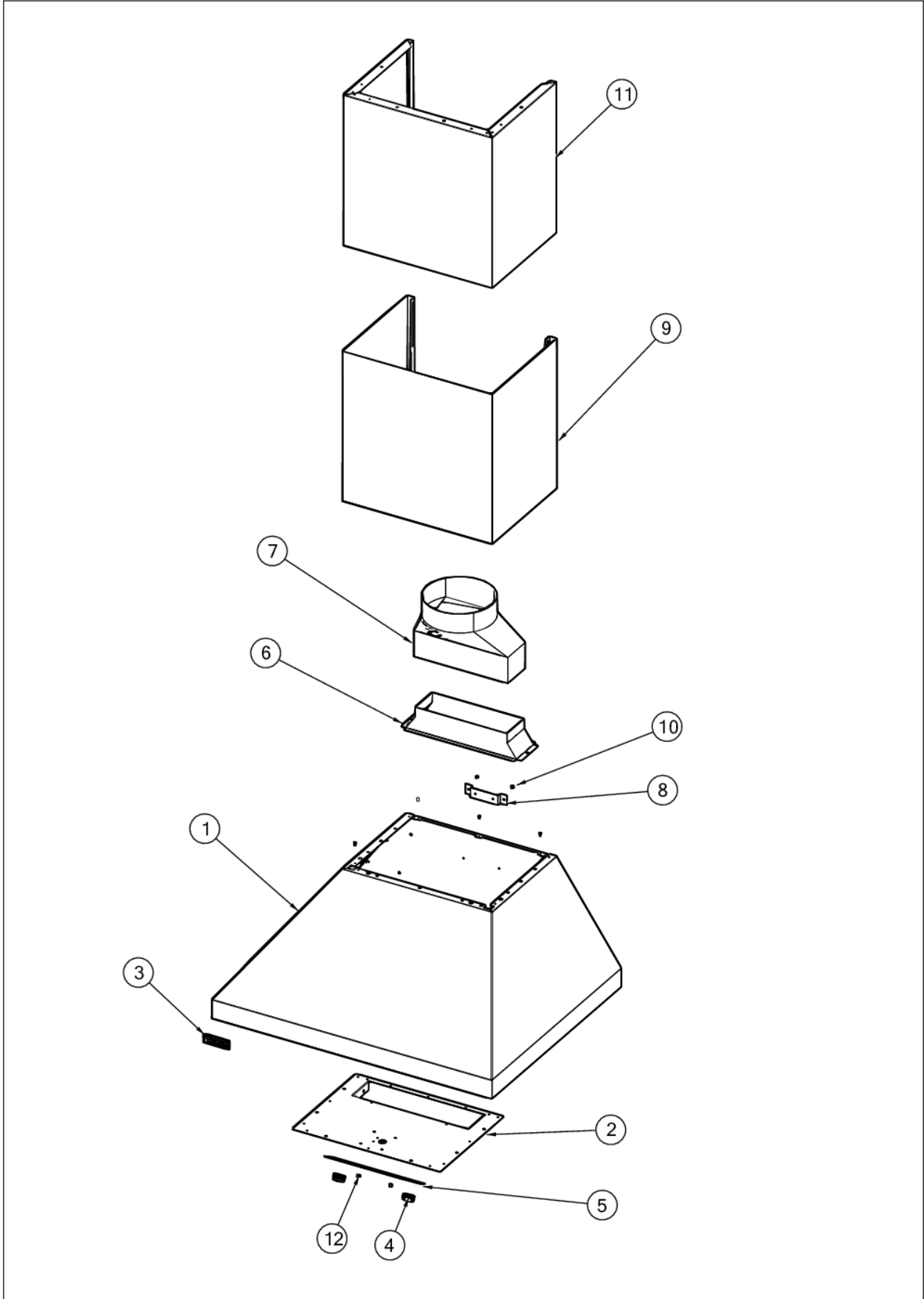
BASE





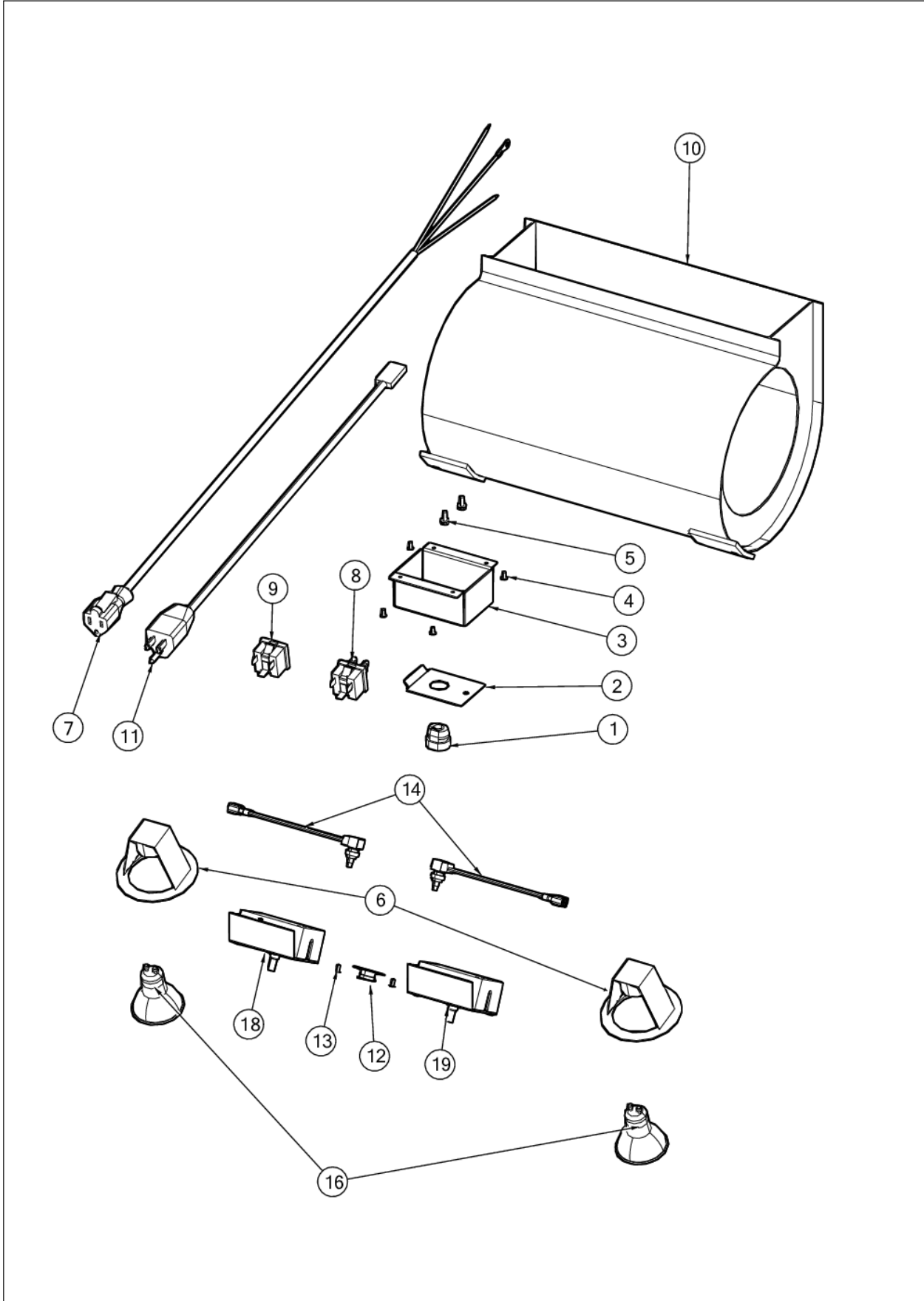
Item	Part No.	Name	Qty	Uom	NOTES
1	016349-000	30" REAR FILTER SUPPORT	1	EA	Not available online / Call for pricing and availability
2	A2103810	THERMODISC BRACKET VWH/VIH	1	EA	
3	B20010270	LT/FAN SWITCH BRKT (DCH30/36)	1	EA	NO LONGER AVAILABLE, Not available online / Call for pricing and availability
4	B2004695	30" FRONT I/S PANEL	1	EA	
5	B2007324	I/S SIDE PANEL - LH	1	EA	NO LONGER AVAILABLE
6	G31010266	30"/42" FILTER ASSEMBLY 11.75" X 10.375"	2	EA	
7	PD010035	BLOWER MTG ROD #10-24 99420464	2	EA	
8	PD020087	10 X 1/2 PAN PH. TEK ZINC	23	EA	
9	PD030010	#10-24 KEPS NUT ZINC PLATED	2	EA	
10	B20010259	CONTROL PANEL (DCH3042)	1	EA	Not available online / Call for pricing and availability
11	B2004691	30" I/S REAR PANEL	1	EA	NO LONGER AVAILABLE
12	B2007323	I/S SIDE PANEL - RH	1	EA	NO LONGER AVAILABLE

DECOR



Item	Part No.	Name	Qty	Uom	NOTES
1	043096-000	30" CANOPY ASSEMBLY - SS	1	EA	Not available online / Call for pricing and availability
1	043098-002	30" CANOPY ASSEMBLY - BK	1	EA	Not available online / Call for pricing and availability
1	043098-006	30" CANOPY ASSEMBLY - WH	1	EA	Not available online / Call for pricing and availability
2	A2009374	HOOD TOP (DCH30/3642)	1	EA	NO LONGER AVAILABLE, Not available online / Call for pricing and availability
3	041991-000	NAMEPLATE, VIKING, 2.750	1	EA	
4	PA010089	KNOB (DESIGNER SERIES HOOD)	2	EA	
5	PE040232	CONTROL PANEL W/ GRAPHICS (DCH30/36)	1	EA	
6	PE050043	DAMPER/TRANSITION 460 CFM 97006078	1	EA	
7	PM010045	3 1/4" X 10" RECT. TO 7" DIA(TRANS)	1	EA	
8	B2006285	HAT BRACKET (VWH3010/3610)	1	EA	
9	G31011011SS	DUCT COVER BOTTOM ASSY (DCC16)	1	EA	
9	G31011011BK	COVER, DUCT, BOTTOM ASSY - BK	1	EA	Not available online / Call for pricing and availability
9	G31011011WH	COVER, DUCT, BOTTOM ASSY - WH	1	EA	
10	PC040010	POP RIVET (.063/GR -.125) GAMD42-A	2	EA	
11	G31011009SS	DUCT COVER TOP ASSY (DCC16)	1	EA	
11	G31011009BK	COVER, DUCT, TOP, ASSY - BK	1	EA	Not available online / Call for pricing and availability
11	G31011009WH	COVER, DUCT, TOP, ASSY - WH	1	EA	
12	PA010093	DESIGNER OVEN LT SWITCH KNOB	2	EA	

ELECTRICAL







Item	Part No.	Name	Qty	Uom	NOTES
1	PE070204	HEYCO STRAIN RELIEF - 7-P2	1	EA	
2	A2003826	ROUGH IN BOX COVER (VWH30/3610)	1	EA	
3	A2003825	ROUGH IN BOX (VWH30/3610)	1	EA	NO LONGER AVAILABLE
4	PC040010	POP RIVET (.063/GR -.125) GAMD42-A	4	EA	
5	PD020010	10 X 3/8 GREEN GROUNDING SCREW	2	EA	
6	PE050064	LIGHT ASSEMBLY	2	EA	
7	039680-000	CORD, PWR, SUPPLY, VNT HD	1	EA	
8	PE070197	MALE SOCKET (3 PRONG)	1	EA	
9	PE070541	3-PRONG FEMALE SOCKET	1	EA	
10	PE050042	BLOWER INT 460 CFM 97007542	1	EA	
11	PE070542	3-PRONG MALE CORD W/AMP CON	1	EA	
12	PJ030014	HEAT SENSOR (N.O.) 160 DEG.	1	EA	
13	PC040010	POP RIVET (.063/GR -.125) GAMD42-A	2	EA	
14	PE050168	DCH FAN/LIGHT SWITCH (DCH30/36)	2	EA	
16	PE050081	50 WATT HALOGEN BULB	2	EA	
18	062057-603	CNTRL, PRO FAN, 120VAC	1	EA	
19	062057-604	CNTRL, PRO LIGHT, 120VAC	1	EA	
NI	PE070556	DCH30/3642 WIRE KIT	1	EA	NO LONGER AVAILABLE, Not available online / Call for pricing and availability



Appendix A:Pages Index

BASE .....	1
DECOR .....	2
ELECTRICAL .....	3



Appendix B:Parts Index

016349-000	1	PE070204	3
039680-000	3	PE070541	3
041991-000	2	PE070542	3
043096-000	2	PE070556	3
043098-002	2	PJ030014	3
043098-006	2	PM010045	2
062057-603	3		
062057-604	3		
A2003825	3		
A2003826	3		
A2009374	2		
A2103810	1		
B20010259	1		
B20010270	1		
B2004691	1		
B2004695	1		
B2006285	2		
B2007323	1		
B2007324	1		
G31010266	1		
G31011009BK	2		
G31011009SS	2		
G31011009WH	2		
G31011011BK	2		
G31011011SS	2		
G31011011WH	2		
PA010089	2		
PA010093	2		
PC040010	2, 3, 3		
PD010035	1		
PD020010	3		
PD020087	1		
PD030010	1		
PE040232	2		
PE050042	3		
PE050043	2		
PE050064	3		
PE050081	3		
PE050168	3		
PE070197	3		