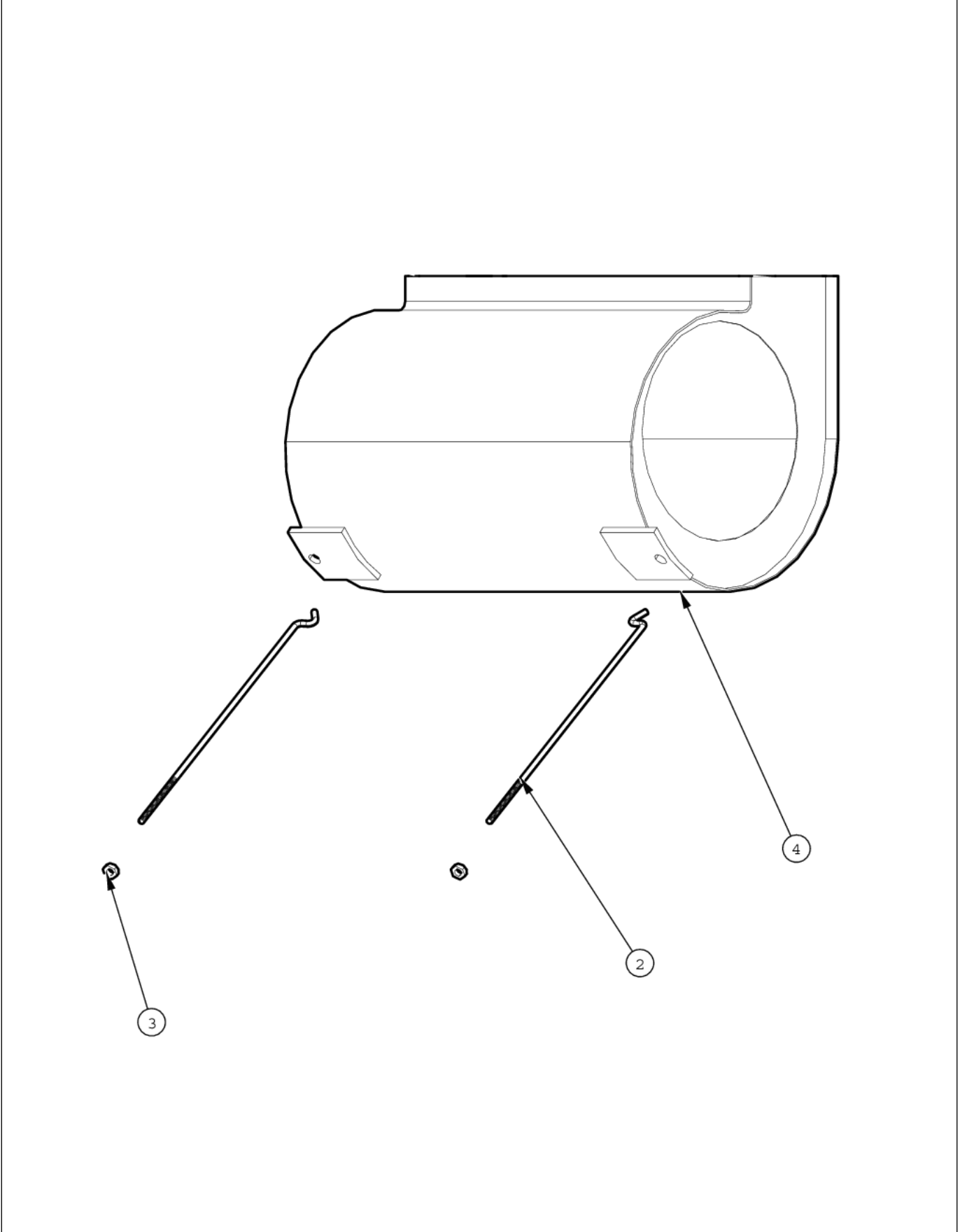


**RDWHC3644**

BLOWER .....	1
CONTROL PANEL .....	2
DUCT COVER .....	3
HOOD .....	4
Appendix A:Pages Index .....	A
Appendix B:Parts Index .....	B



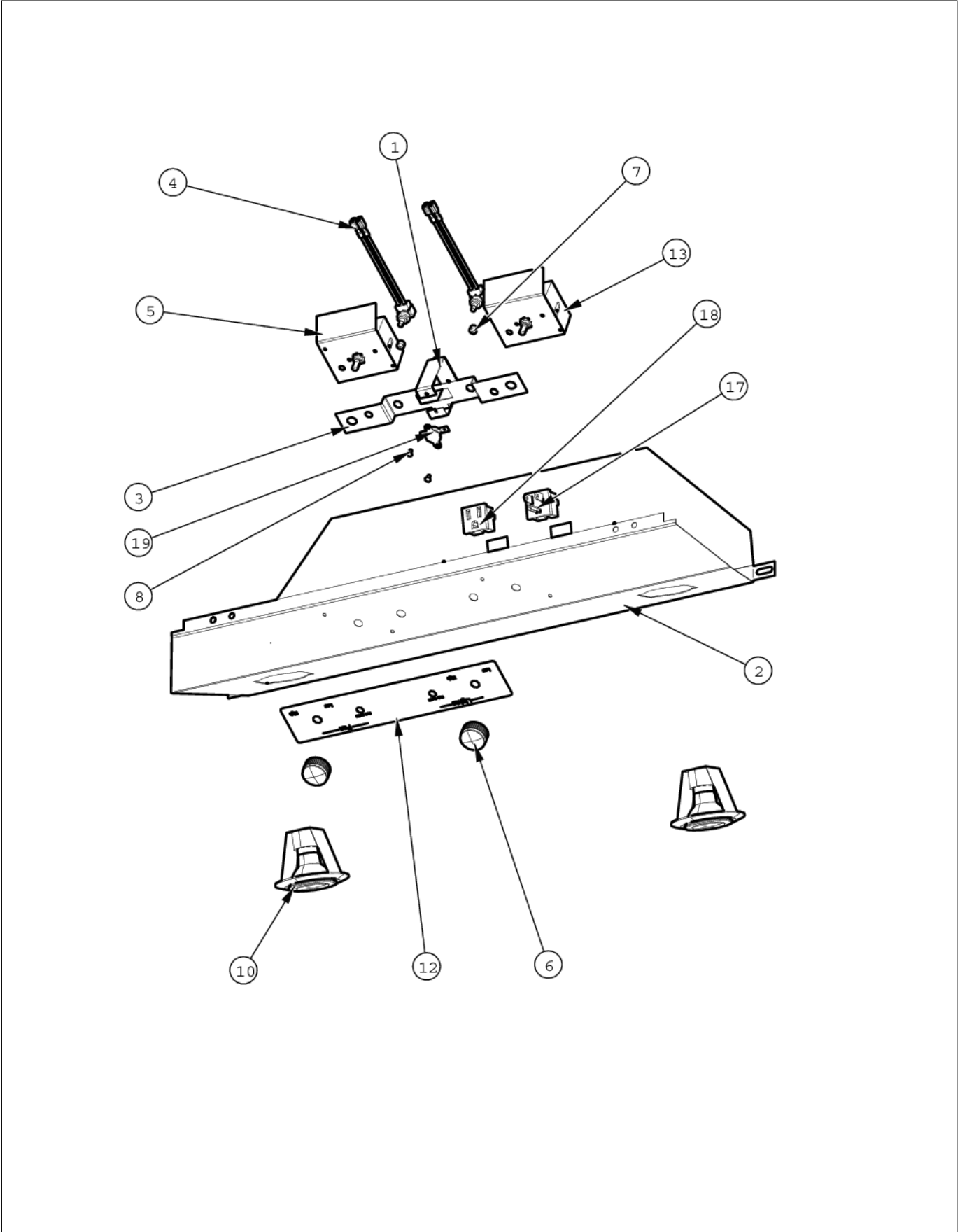
BLOWER





Item	Part No.	Name	Qty	Uom	NOTES
2	PD010035	BLOWER MTG ROD #10-24 99420464	2	EA	
3	PD030010	#10-24 KEPS NUT ZINC PLATED	2	EA	
4	PE050042	BLOWER INT 460 CFM 97007542	1	EA	

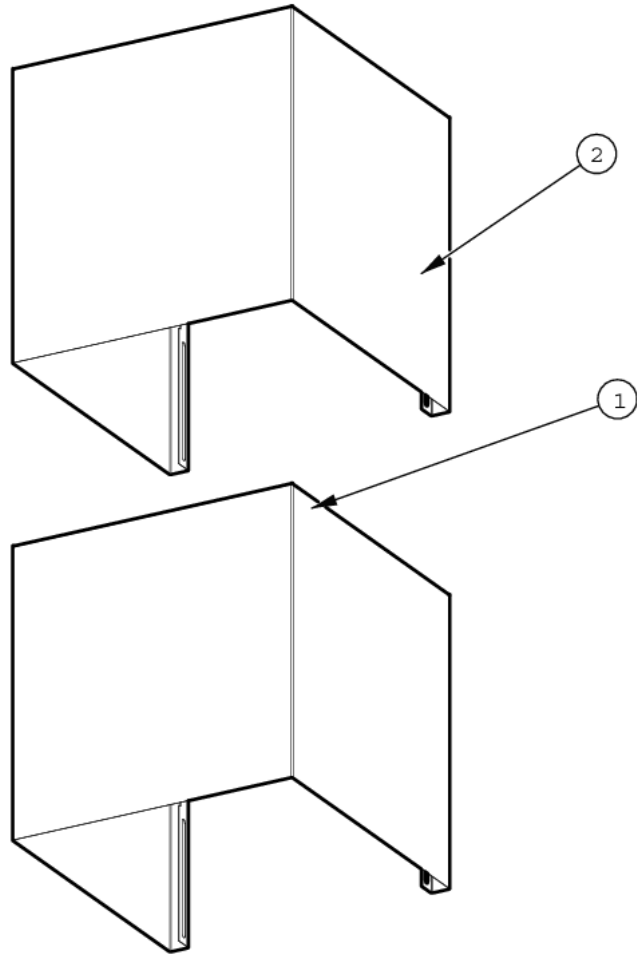
CONTROL PANEL





Item	Part No.	Name	Qty	Uom	NOTES
1	A2103810	THERMODISC BRACKET VWH/VIH	1	EA	
2	B20010260	CONTROL PANEL (DCH3642)	1	EA	NO LONGER AVAILABLE, Not available online / Call for pricing and availability
3	B20010270	LT/FAN SWITCH BRKT (DCH30/36)	1	EA	NO LONGER AVAILABLE, Not available online / Call for pricing and availability
4	PE050168	DCH FAN/LIGHT SWITCH (DCH30/36)	2	EA	
5	062057-604	CNTRL, PRO LIGHT, 120VAC	1	EA	
6	PA010089	KNOB (DESIGNER SERIES HOOD)	2	EA	
7	PA010093	DESIGNER OVEN LT SWITCH KNOB	2	EA	
8	PC040010	POP RIVET (.063/GR -.125) GAMD42-A	2	EA	
10	PE050064	LIGHT ASSEMBLY	2	EA	
12	PE040232	CONTROL PANEL W/ GRAPHICS (DCH30/36)	1	EA	
13	062057-603	CNTRL, PRO FAN, 120VAC	1	EA	
17	PE070197	MALE SOCKET (3 PRONG)	1	EA	
18	PE070541	3-PRONG FEMALE SOCKET	1	EA	
19	PJ030014	HEAT SENSOR (N.O.) 160 DEG.	1	EA	

DUCT COVER

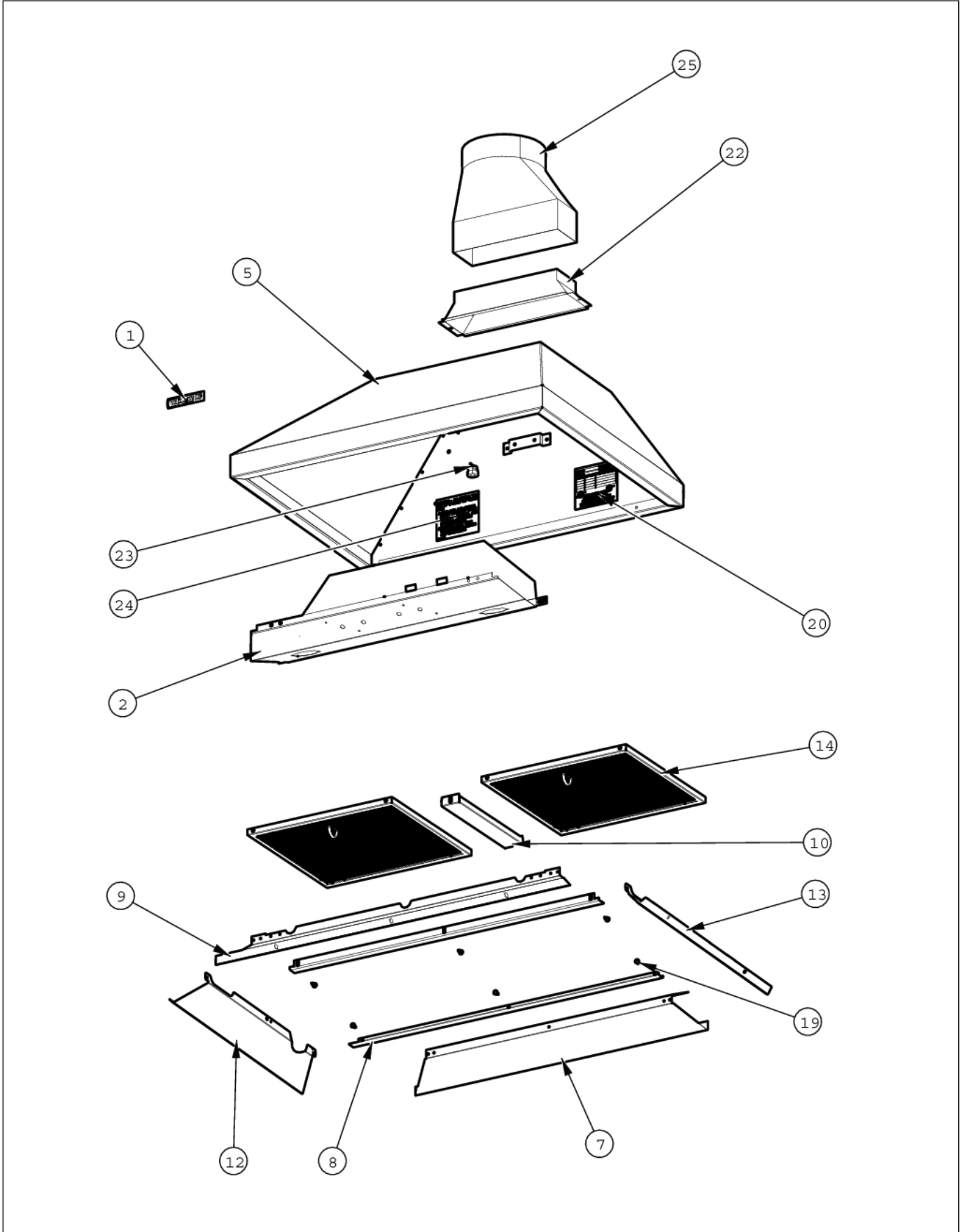






Item	Part No.	Name	Qty	Uom	NOTES
1	DUCT COVER BOTTOM ASSY (DCC16)		1	EA	Not available online / Call for pricing and availability
2	DUCT COVER TOP ASSY (DCC16)		1	EA	Not available online / Call for pricing and availability

HOOD





Item	Part No.	Name	Qty	Uom	NOTES
1	038772-000	NAMEPLATE, DSNR D3, SMALL	1	EA	
2	B20010260	CONTROL PANEL (DCH3642)	1	EA	NO LONGER AVAILABLE, Not available online / Call for pricing and availability
5	G3009376SS	36" CANOPY ASSEMBLY (DCH3642)	1	EA	NO LONGER AVAILABLE, Not available online / Call for pricing and availability
7	B2004665	36" I/S REAR PANEL	1	EA	NO LONGER AVAILABLE
8	025781-000	DCWH 36" REAR FILTER SUPPORT ANGLE	2	EA	
8	042597-000	36" RDWHC SUPPORT KIT	1	EA	
Not Shown	NOTE	(UNITS MANUFACTURED PRIOR TO 3/18/2013)		EA	
9	B2004675	36" FRONT I/S PANEL	1	EA	NO LONGER AVAILABLE
10	B2005018	DCWH36 FILTER SPACER 1.75" X 10.784"	1	EA	
12	B2007324	I/S SIDE PANEL - LH	1	EA	NO LONGER AVAILABLE
13	B2007323	I/S SIDE PANEL - RH	1	EA	NO LONGER AVAILABLE
14	G31010268	FILTER ASSEMBLY (DESIGNER) 13.848 X 10.375	2	EA	
19	PD020087	10 X 1/2 PAN PH. TEK ZINC	17	EA	
20	PE020058	RATING LABEL (ADHESIVE)	2	EA	
22	PE050043	DAMPER/TRANSITION 460 CFM 97006078	1	EA	
23	PE070204	HEYCO STRAIN RELIEF - 7-P2	1	EA	
24	PF030337	HOOD WARNING LABEL	1	EA	
25	PM010045	3 1/4" X 10" RECT. TO 7" DIA (TRANS)	1	EA	



Appendix A:Pages Index

BLOWER .....	1
CONTROL PANEL .....	2
DUCT COVER .....	3
HOOD .....	4



Appendix B:Parts Index

025781-000 ..... 4  
038772-000 ..... 4  
042597-000 ..... 4  
062057-603 ..... 2  
062057-604 ..... 2  
A2103810 ..... 2  
B20010260 ..... 2, 4  
B20010270 ..... 2  
B2004665 ..... 4  
B2004675 ..... 4  
B2005018 ..... 4  
B2007323 ..... 4  
B2007324 ..... 4  
DUCT COVER BOTTOM ASSY (DCC16) ..... 3  
DUCT COVER TOP ASSY (DCC16) ..... 3  
G3009376SS ..... 4  
G31010268 ..... 4  
PA010089 ..... 2  
PA010093 ..... 2  
PC040010 ..... 2  
PD010035 ..... 1  
PD020087 ..... 4  
PD030010 ..... 1  
PE020058 ..... 4  
PE040232 ..... 2  
PE050042 ..... 1  
PE050043 ..... 4  
PE050064 ..... 2  
PE050168 ..... 2  
PE070197 ..... 2  
PE070204 ..... 4  
PE070541 ..... 2  
PF030337 ..... 4  
PJ030014 ..... 2  
PM010045 ..... 4