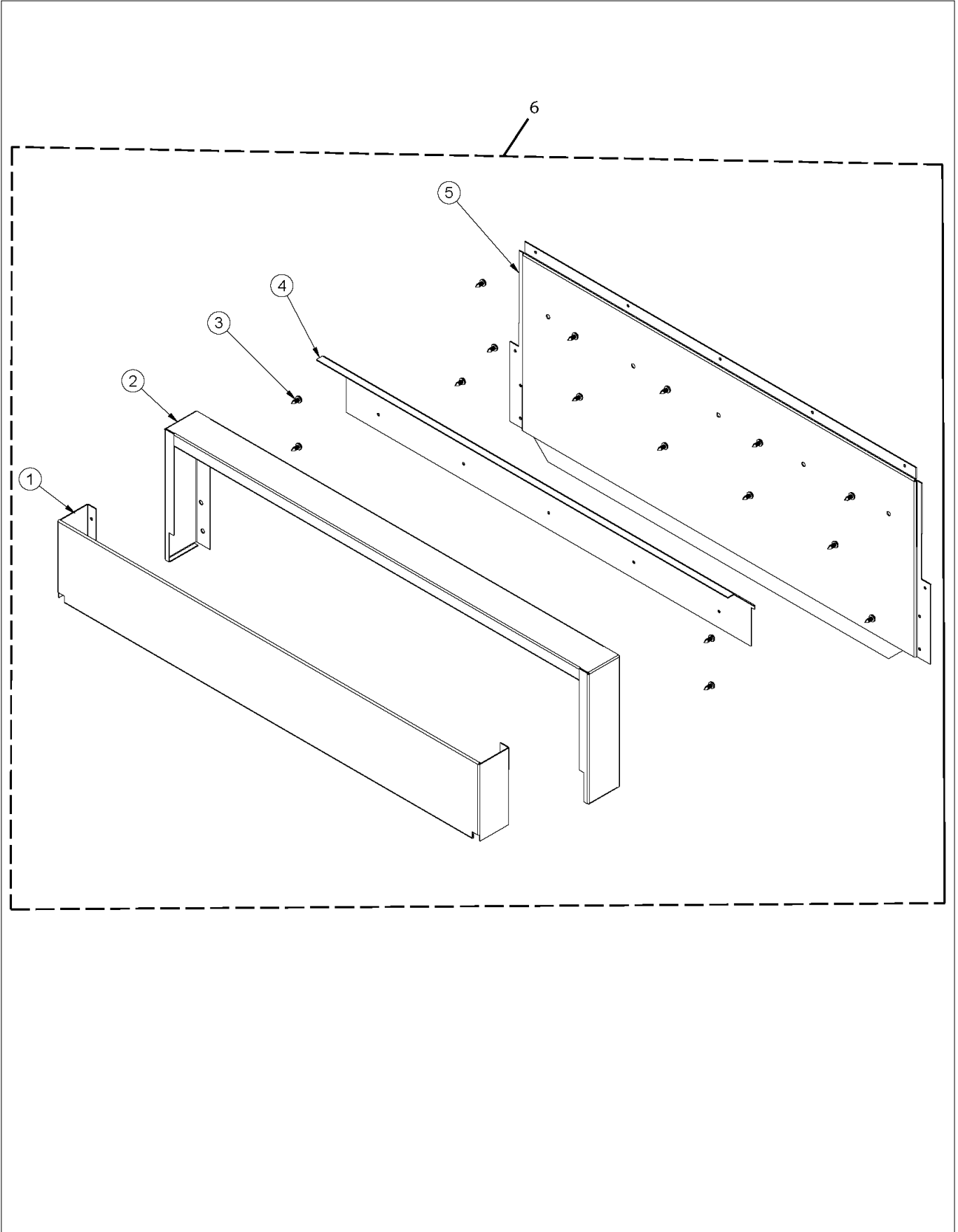


RDSCG2305B

BACKGUARD ASSEMBLY	1
CAVITY AREA	2
CONTROL AREA	3
DOOR ASSEMBLY	4
ISLAND TRIM ASSEMBLY	5
LOWER UNIT AND SIDE PANELS	6
LP ORIFICES	7
OVEN ELECTRONICS	8
OVEN RACKS	9
REAR SHEET METAL	10
SURFACE BURNER AREA	11
WIRING	12
Appendix A:Pages Index	A
Appendix B:Parts Index	B

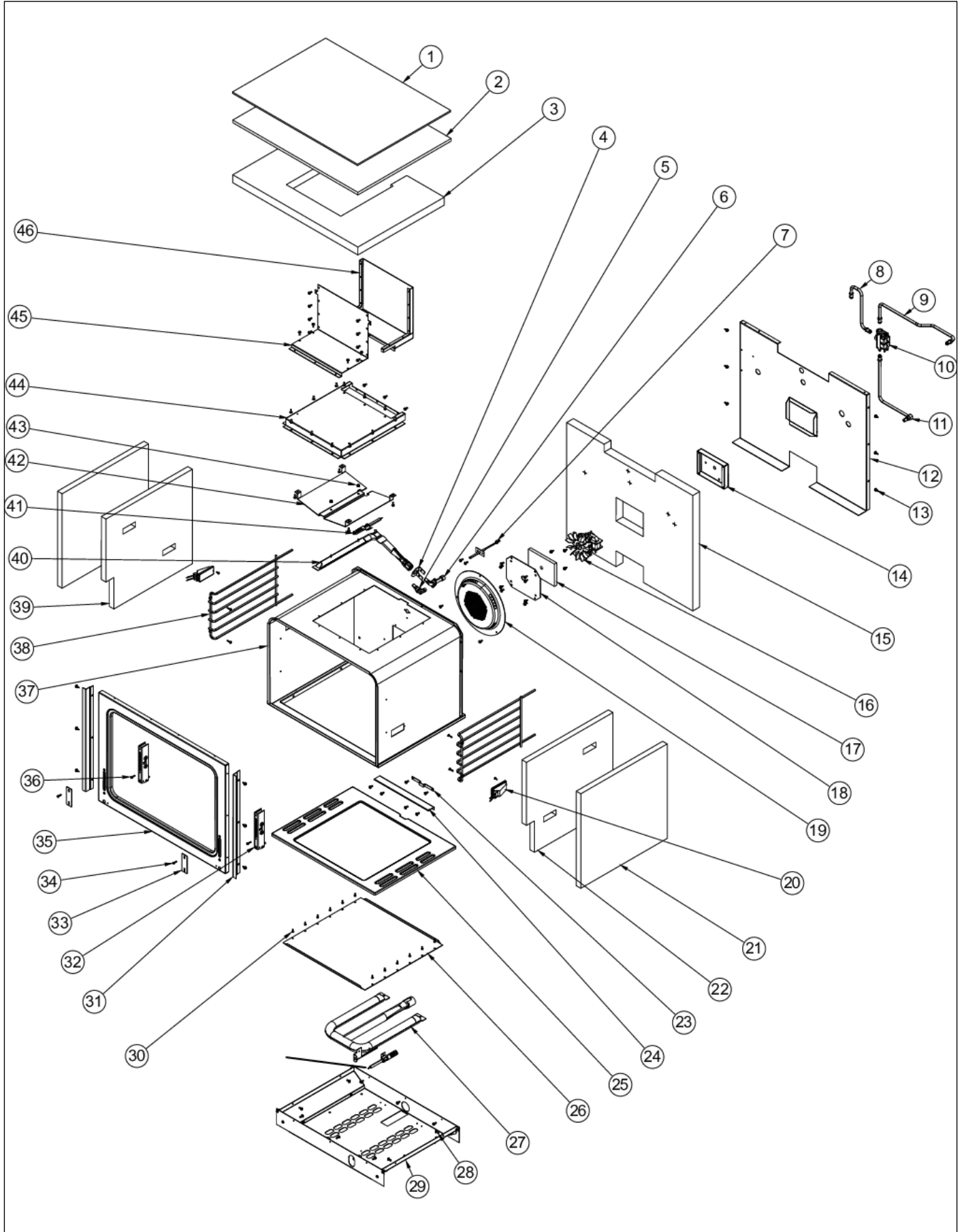
BACKGUARD ASSEMBLY





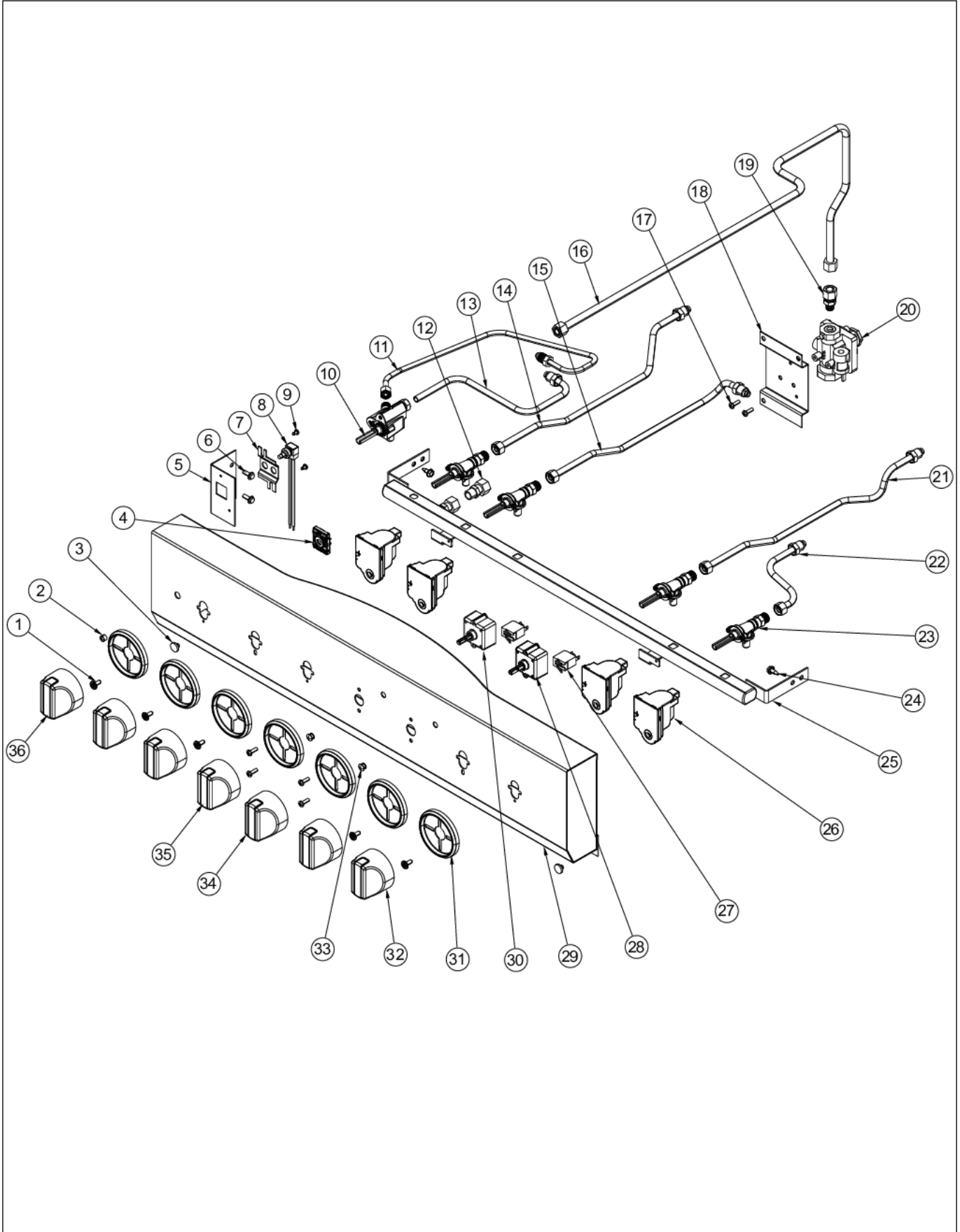
Item	Part No.	Name	Qty	Uom	NOTES
1	033332-000	30" D3 BACKGUARD, FRONT	1	EA	
Not Shown	NOTE	(MUST ORDER ITEM 6)		EA	
2	033331-000	30" D3 BACKGUARD, FRAME	1	EA	Not available online / Call for pricing and availability
Not Shown	NOTE	(MUST ORDER ITEM 6)		EA	
3	PD020055	' #10 X 1/2" PAN PHIL. TEK.*SS*	16	EA	
Not Shown	NOTE	(MUST ORDER ITEM 6)		EA	
4	033334-000	BACKGUARD DEFLECTOR	1	EA	
Not Shown	NOTE	(MUST ORDER ITEM 6)		EA	
5	033333-000	30" D3 BACKGUARD, BACK	1	EA	
Not Shown	NOTE	(MUST ORDER ITEM 6)		EA	
6	033330-000	30" D3 BACKGUARD, ASM	1	EA	

Item	Part No.	Name	Qty	Uom	NOTES
1	033588-000	INSULATION, TOP FOIL BACK	1	EA	
2	033586-000	INSULATION, TOP PAD	1	EA	Not available online / Call for pricing and availability
3	033585-000	INSULATION, TOP	1	EA	Not available online / Call for pricing and availability
4	032142-000	BRACKET, ORIFICE	1	EA	Not available online / Call for pricing and availability
5	PB040190	90 DEGREE ORIFICE FITTING #50 NAT	1	EA	
6	031729-000	VALVE ORIFICE FITTING, BROIL	1	EA	
7	PE050206	RTD THERMOSTAT PROBE	1	EA	
8	031853-000	TUBING, OVEN REGULATOR	1	EA	
9	031855-000	TUBING, BROIL, D3	1	EA	Not available online / Call for pricing and availability
10	009112-000	VALVE, SOL, DOUBLE	1	EA	
11	031857-000	TUBING, BAKE, D3	1	EA	
12	031777-000	PANEL, BACK INSULATION	1	EA	Not available online / Call for pricing and availability
13	003860-000	10-18 x .500 FASTNR,SCR,HXWH,STL,ZPLT	19	EA	
14	031735-000	BOX, INSUL., FAN	1	EA	
15	033583-000	INSULATION, BACK, D3, 30"	1	EA	
16	023089-000	MOTOR, CONVECTION, 120V/60HZ	1	EA	
17	PB070208	CONVECTION FAN INSULATION	1	EA	
18	021199-000	COVER, BOX, INSULATION	1	EA	
19	021225-000	COVER, CNVN, ASM	1	EA	
20	005311-000	LAMP, OVEN, 120V/25W	2	EA	
21	023578-000	INSULATION, SIDE, OUTER	2	EA	Not available online / Call for pricing and availability

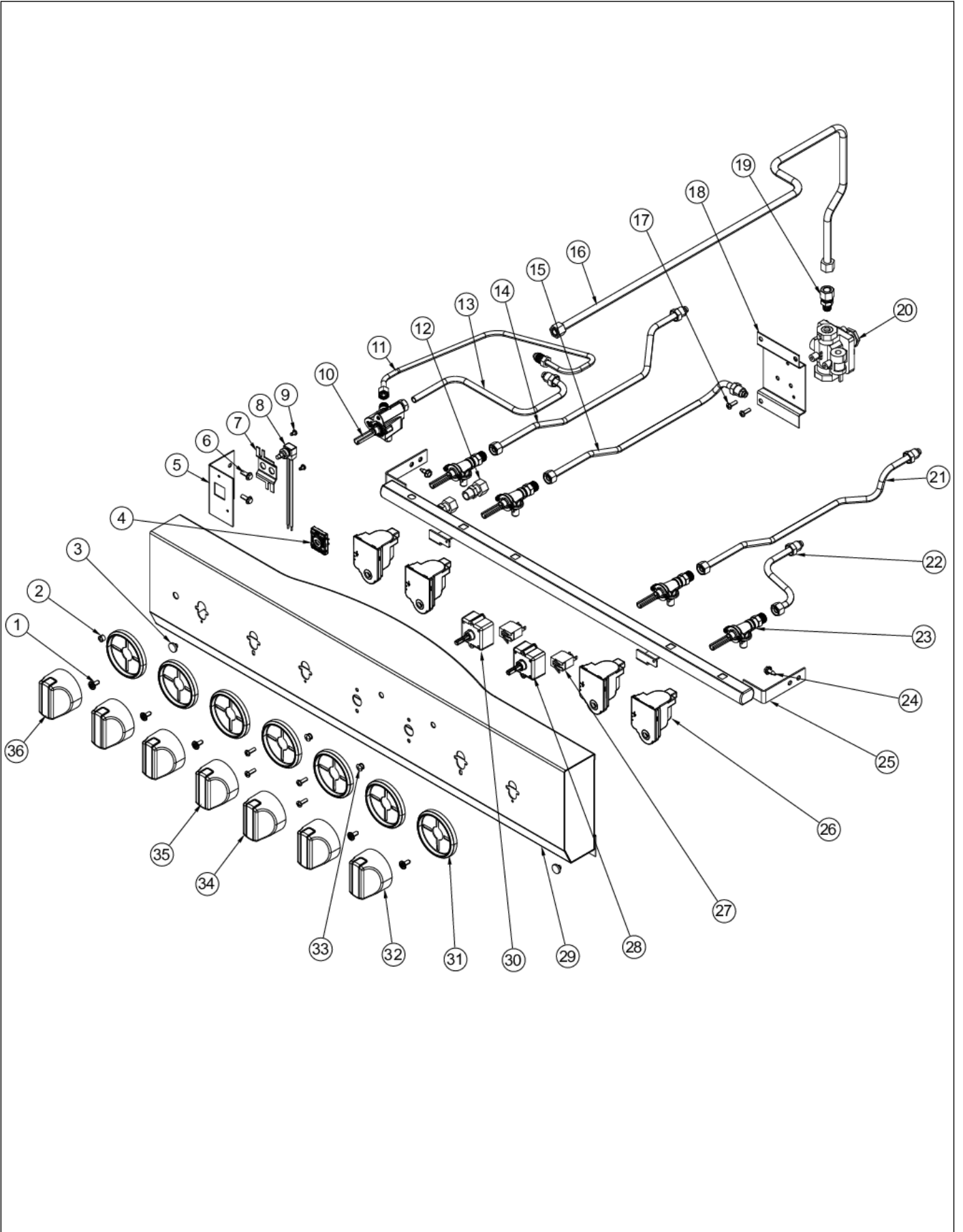


Item	Part No.	Name	Qty	Uom	NOTES
22	023580-000	INSULATION, SIDE, RIGHT	1	EA	
23	A2004428	REAR BOTTOM BRCKT (VGSC306)	1	EA	
24	031445-403	BRACE, OVEN, BOTTOM, BACK	1	EA	
25	066203-000	ASM, BOTTOM, CAVITY, OVEN, GAS, 30"	1	EA	
26	A2004439	OVEN BOTTOM SHIELD (VGSC306)	1	EA	
27	005329-000	BURNER, OVEN, ASM	1	EA	
28	PD020048	NO.10 X 1/2 TEK 410 SS SCREW	56	EA	
29	014748-402	BURNER PAN ASM, BK PORC	1	EA	Not available online / Call for pricing and availability
30	PD020067	' #6 X 3/8" PAN PHIL. TEK *SS*	14	EA	
31	019175-000	BRACKET, SIDE, RH	2	EA	
32	031679-000	RECEPTACLE, HINGE	2	EA	
33	007278-000	ARM HINGE CLIP	2	EA	
34	PD020061	' #8 X 3/4 FLAT HD TEK. *SS*	2	EA	
35	014756-402	FRONT FRAME, BK PORC	1	EA	
36	pd020232	#8 X 3/4" PH PAN HEAD TEK SCREW (BLACK OXIDE)	6	EA	
37	031683-000	OVEN LINER ASM, D3, BK PORC	1	EA	Not available online / Call for pricing and availability
38	066225-402	GUIDE, RACK, RH- BK	2	EA	
39	023579-000	INSULATION, SIDE, LEFT	1	EA	
40	031899-000	BURNER, BROIL, ASM	1	EA	
41	PB040171	BROIL IGNITION ELECTRODE	2	EA	
42	031766-000	BAFFLE, BROIL BURNER	1	EA	
43	PD030044	10-24 KEPS NUT *SS*	2	EA	
44	031678-000	BROIL BURNER BOX, D3	1	EA	
45	031674-000	TOP, GAS DUCT, D3	1	EA	
46	031673-000	BOTTOM, GAS DUCT, D3	1	EA	
47	PB040170	BAKE IGNITION ELECTRODE	1	EA	

CONTROL AREA



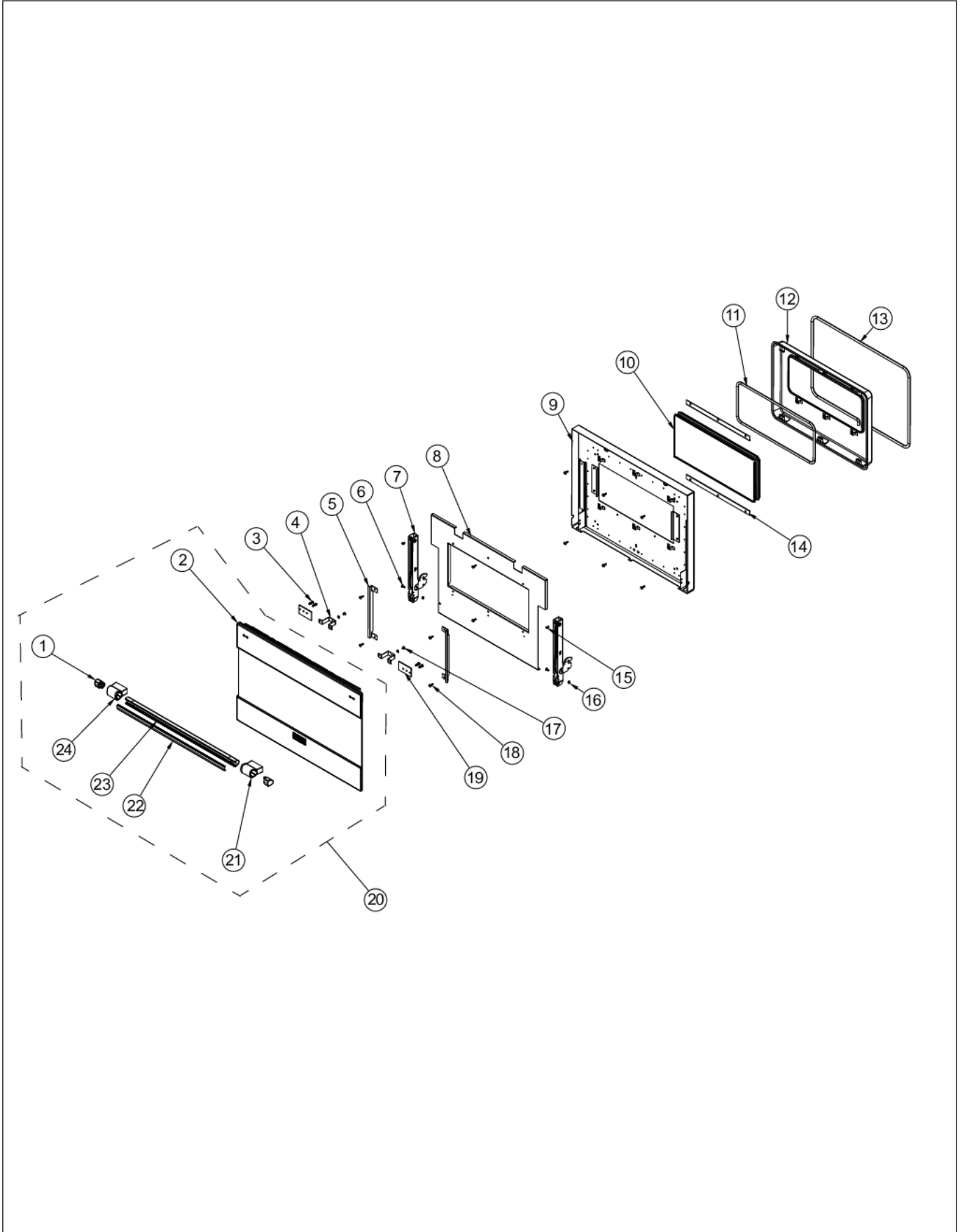
Item	Part No.	Name	Qty	Uom	NOTES
1	PD020046	#8 X 1/2 SCREWS	5	EA	
2	PA010093	DESIGNER OVEN LT SWITCH KNOB	1	EA	
3	PD040004	GROMMET BUMPER	2	EA	
4	PA020045	Spark Ignition Switch	1	EA	
5	031462-000	BRACKET, LIGHT SWITCH	1	EA	
Not Shown	NOTE	(BEFORE 07/09/12)		EA	
5	036576-000	LIGHT SWITCH ASM	1	EA	
Not Shown	NOTE	(ON OR AFTER 07/09/12)		EA	
6	PD020048	NO.10 X 1/2 TEK 410 SS SCREW	2	EA	
7	020474-000	BRACKET, SW	1	EA	
Not Shown	NOTE	(BEFORE 07/09/12)		EA	
7	036576-000	LIGHT SWITCH ASM	1	EA	
Not Shown	NOTE	(ON OR AFTER 07/09/12)		EA	
8	G40015469	LIGHT SWITCH ASSEMBLY	1	EA	
9	PD020006	' #6-32 X 1/4" PH.PAN HD. T(F)	2	EA	
10	032942-000	VALVE, STACK BURNER, 18000 BTU	1	EA	
11	031387-000	TUBING, LF BURNER	1	EA	
12	029914-000	FITTING, COMPRESSION, CC, 3/8"	1	EA	
13	031380-000	TUBING ASM, STACK BURNER	1	EA	
14	031388-000	LR BURNER TUBE	1	EA	
15	031400-000	TUBING, FISH BURNER	1	EA	
16	039215-000	TUBING, FLEX, SST, 32" REPLACES 031830-000	1	EA	
17	PD020261	' #8-32X1/2" PH PANHEAD MACH. SCREW	6	EA	
18	031821-000	BRACKET, REGULATOR MTG	1	EA	
19	035216-000	ADAPTOR, 3/8 NPT TO 1/2 COMP.	1	EA	
20	031818-000	REGULATOR, DUAL OUTLET	1	EA	
21	031392-000	RR BURNER TUBING	1	EA	





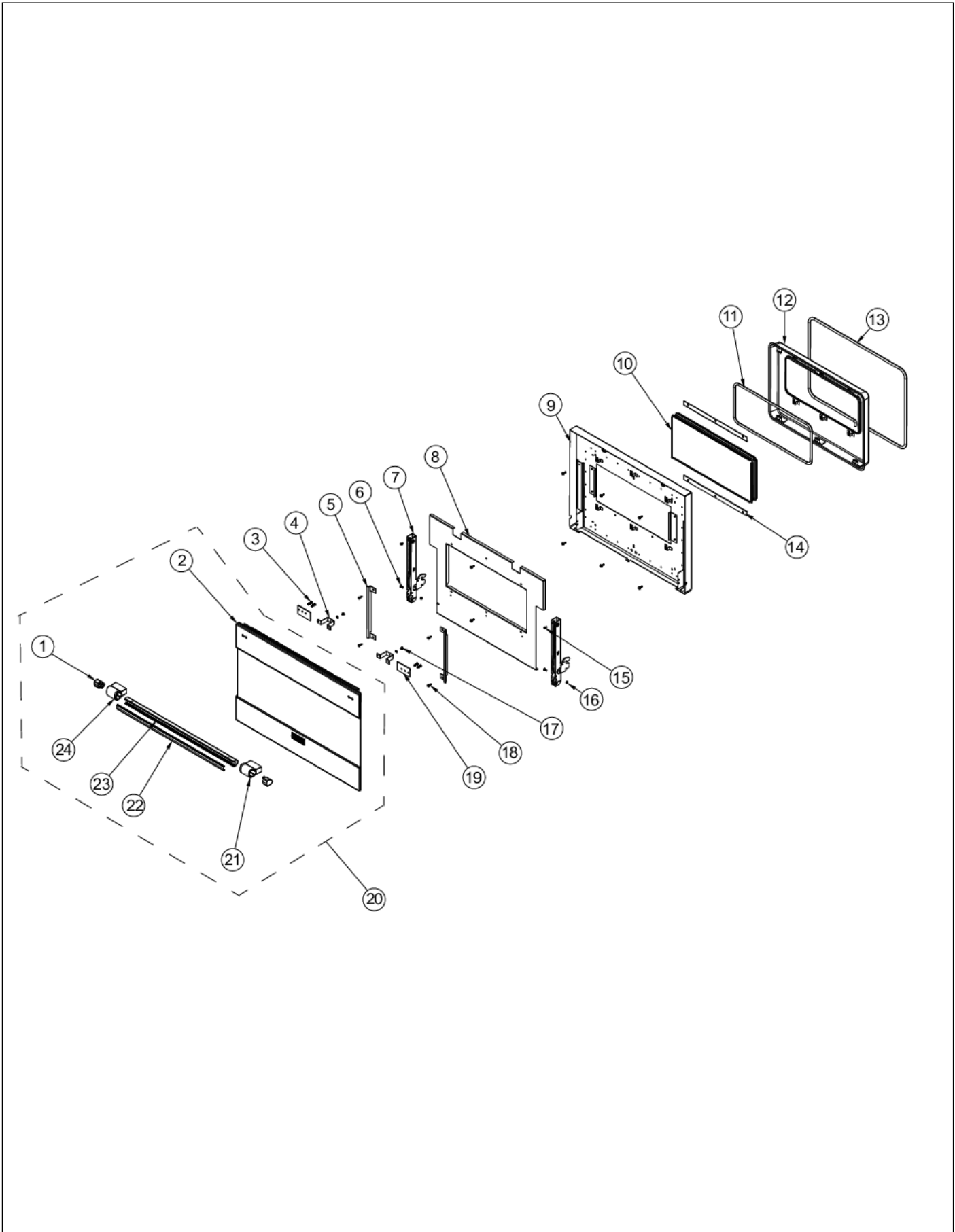
Item	Part No.	Name	Qty	Uom	NOTES
22	031393-000	RF BURNER TUBING	1	EA	
23	031804-000	VALVE, TOP BURNER	4	EA	
24	003860-000	10-18 x .500 FASTNR,SCR,HXWH,STL,ZPLT	2	EA	
25	031297-000	MANIFOLD, 30"	1	EA	
26	PA020058	IRIS SINGLE SPARK MODULE	4	EA	
27	015170-000	HOUSING, LIGHT, BLUE NEON, 125V	2	EA	
28	PJ030035	THERMOSTAT	1	EA	
<p>Comments for Part Num. PJ030035</p> <p>parts@lvdistributes.com on Feb 7, 2018 this is not the correct part for this range it should be a 003225-000 Reply by JREXEC02@AOL.COM on Feb 27, 2018 003225-000 is an Induction Control.</p> <p>PJ030035 is the red colored thermostat for the Gas Range *****</p>					
29	039090-2393	PANEL, CTRL, RDSCD/RDSCG230 ASM	1	EA	
Not Shown	NOTE	MUST ORDER ITEM #5 OR #7 WITH PANEL		EA	
30	PJ030034	SELECTOR, 6 POS	1	EA	
31	031469-000	BEZEL, KNOB, RANGE, BLADE, D3	7	EA	
32	031498-000	KNOB ASM, GAS VALVE	4	EA	
33	015174-000	LENS, BLUE	2	EA	
34	031502-000	KNOB, THERMOSTAT, D3	1	EA	
35	031501-000	KNOB, SELECTOR, D3 GAS	1	EA	
36	032314-000	KNOB ASM, STACKED GAS VALV	1	EA	
NI	036576-000	LIGHT SWITCH ASM	1	EA	

DOOR ASSEMBLY





Item	Part No.	Name	Qty	Uom	NOTES
1	028002-000	CAP, HANDLE, D3	2	EA	
2	039284-000	SKIN ASM, DOOR, W/LOGO, SS	1	EA	
2	039285-002	SKIN ASM, DOOR, W/LOGO, BK	1	EA	
2	039285-003	SKIN ASM, DOOR, W/LOGO, BT	1	EA	
2	039285-004	SKIN ASM, DOOR, W/LOGO, SG	1	EA	
2	039285-005	SKIN ASM, DOOR, W/LOGO, GG	1	EA	
2	039285-006	SKIN ASM, DOOR, W/LOGO, WH	1	EA	
2	039285-008	SKIN ASM, DOOR, W/LOGO, BU	1	EA	
2	039285-009	SKIN ASM, DOOR, W/LOGO, LE	1	EA	
2	039285-010	SKIN ASM, DOOR, W/LOGO, MJ	1	EA	
2	039285-012	SKIN ASM, DOOR, W/LOGO, VB	1	EA	
2	039285-013	SKIN ASM, DOOR, W/LOGO, CB	1	EA	
2	039285-015	SKIN ASM, DOOR, W/LOGO, PL	1	EA	
2	039285-016	SKIN ASM, DOOR, W/LOGO, CH	1	EA	
2	039285-017	SKIN ASM, DOOR, W/LOGO, TP	1	EA	
2	039285-018	SKIN ASM, DOOR, W/LOGO, CW NLA	1	EA	
2	039285-021	SKIN ASM, DOOR, W/LOGO, SA	1	EA	
2	039285-022	SKIN ASM, DOOR, W/LOGO, SE	1	EA	
2	039285-023	SKIN ASM, DOOR, W/LOGO, IB	1	EA	
2	039285-024	SKIN ASM, DOOR, W/LOGO, AR	1	EA	
2	039285-025	SKIN ASM, DOOR, W/LOGO, RR	1	EA	
2	039285-051	SKIN ASM, DOOR, W/LOGO, CN	1	EA	Not available online / Call for pricing and availability
2	039285-052	SKIN ASM, DOOR, W/LOGO, DJ	1	EA	
2	039285-053	SKIN ASM, DOOR, W/LOGO, KB	1	EA	
2	039285-054	SKIN ASM, DOOR, W/LOGO, WS	1	EA	
3	008974-000	SCREW 10 - 32 X 3/4 SLOT HEX WASHER W/ LOCTITE	4	EA	
4	015310-000	HANDLE BRACKET SPACER	2	EA	
5	007583-000	BRACKET, GLASS	2	EA	





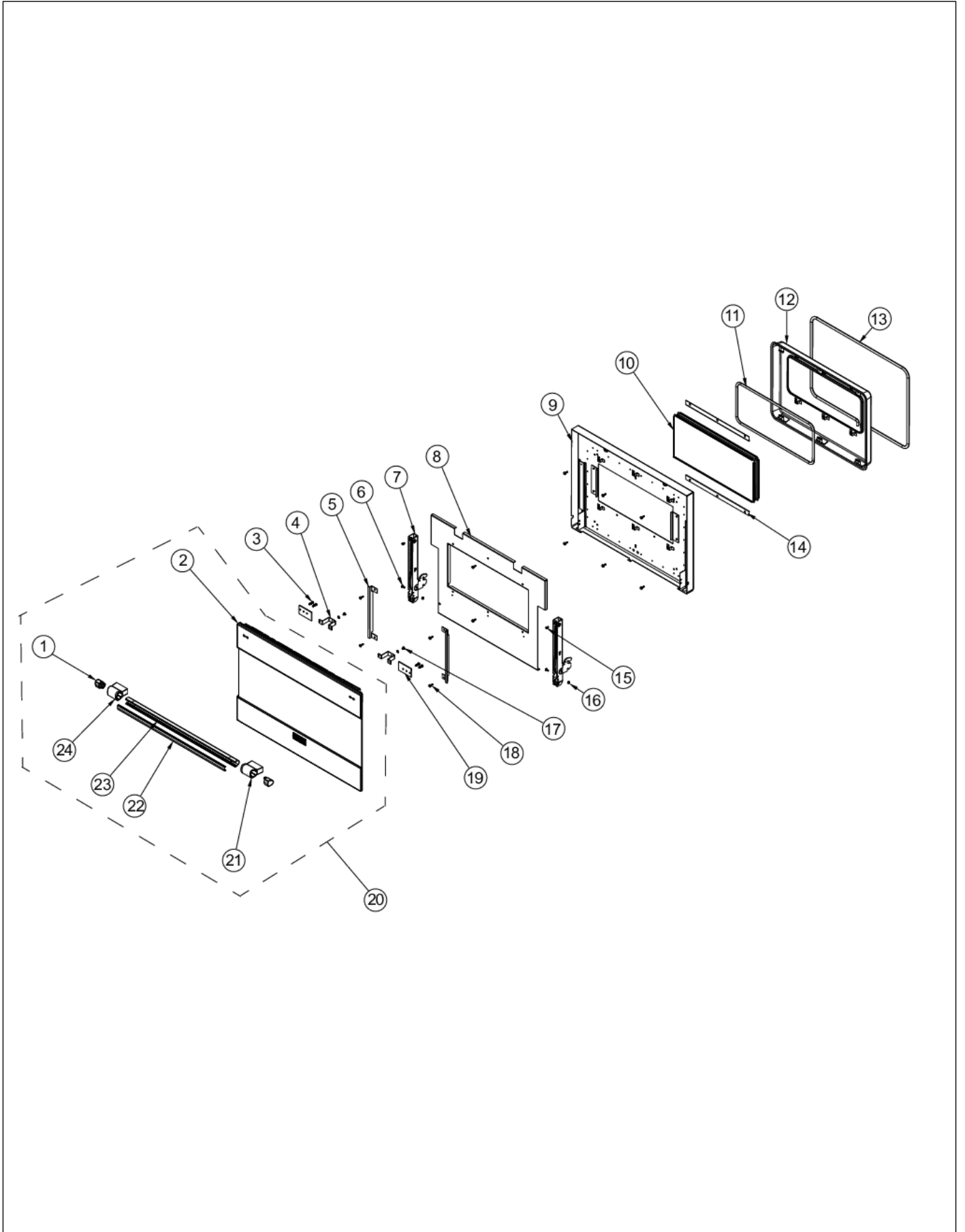
Item	Part No.	Name	Qty	Uom	NOTES
6	PD010003	10-24 X 1/2 PH.TR.HD.SERD.M.S.	2	EA	
7	002740-000	DOOR HINGE	2	EA	See TC-0121- SP Service Bulletin
8	004688-000	DOOR PANEL INSULATION LINER	1	EA	
9	030906-000	DOOR, ASM, RANGE	1	EA	
9	004691-000	DOOR LINER ASSY	1	EA	

Comments for Part Num. 004691-000

profixappliances@gmail.com on Dec 29, 2017

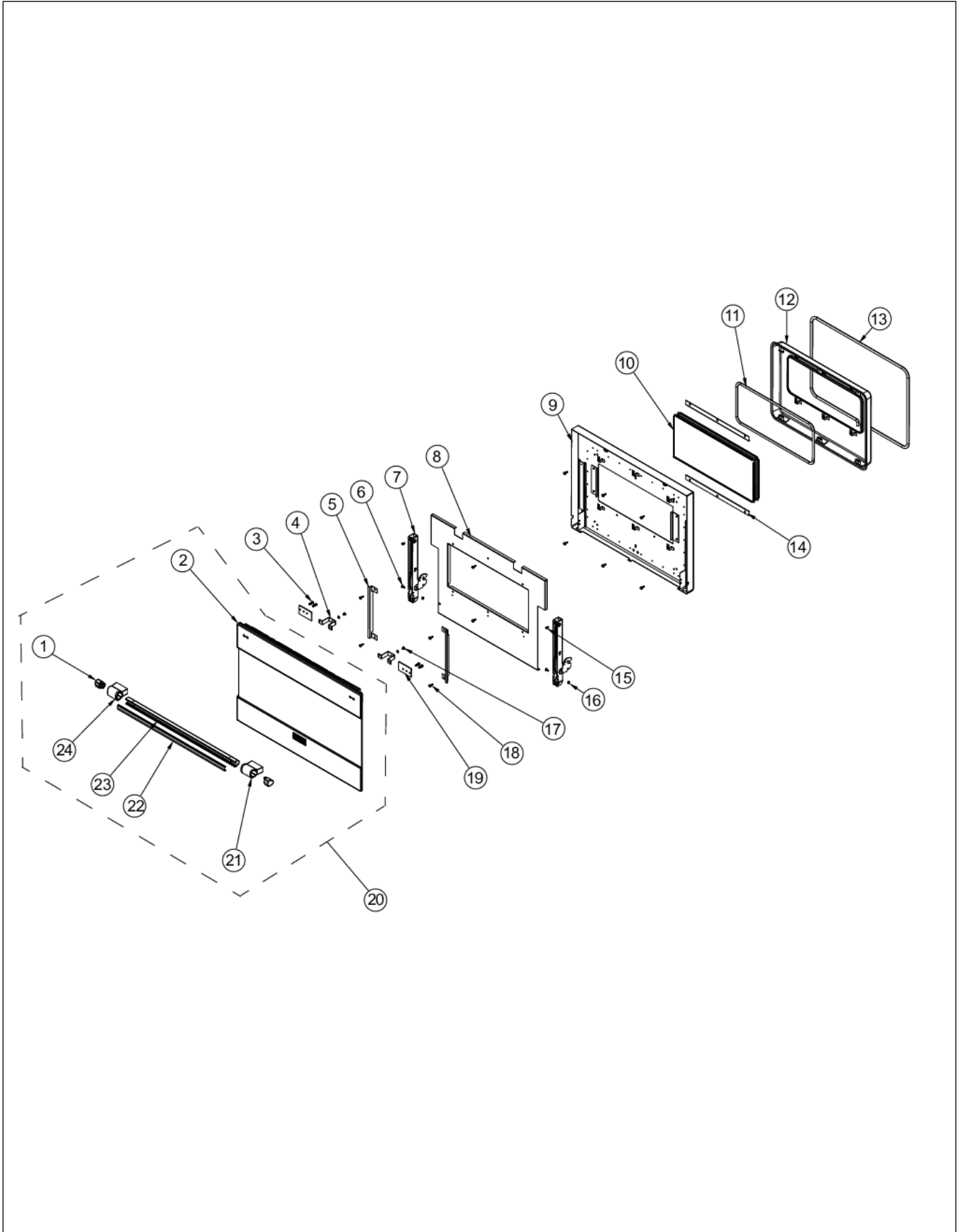
004691-000 IS SPECKLED FINISH, FOR ALL BLACK FINISH ORDER 004691-402.

Not Shown	NOTE	BETWEEN (11/14/11 - 03/07/12)		EA	
10	PE060064	WINDOW PACK, SELF CLEANING OVEN 30"	1	EA	
11	000594-000	BLACK FIBERGLASS ROPE 3/8	1	EA	
12	G9102745	DR PG ASSY VDSC30/48" RE H9102175 (Before 12/20/2012)	1	EA	
13	000042-000	30" DOOR GASKET	1	EA	
14	A2007943	GLASSPACK BRACKET, LARGE	2	EA	
15	PD020004	10X3/8PH.HD.TYPE 25 REPL PD040125	2	EA	
16	PD030010	#10-24 KEPS NUT ZINC PLATED	2	EA	
17	PD020063	SCREW-#8(A) X 3/8"PH WFR HD/BK OXID	2	EA	
18	PD020014	10X3/4 PH TR HD SMS	12	EA	
19	008971-000	SPACER, DOOR, HANDLE	2	EA	
20	030983-000	OUTER DOOR ASM, D3 RANGE 30"	1	EA	
20	035278-002	OUTER DOOR PANEL ASM, 30" D3, BK	1	EA	
20	035278-003	OUTER DOOR PANEL ASM, 30" D3, BT	1	EA	
20	035278-004	OUTER DOOR PANEL ASM, 30" D3, SG	1	EA	
20	035278-005	OUTER DOOR PANEL ASM, 30" D3, GG	1	EA	



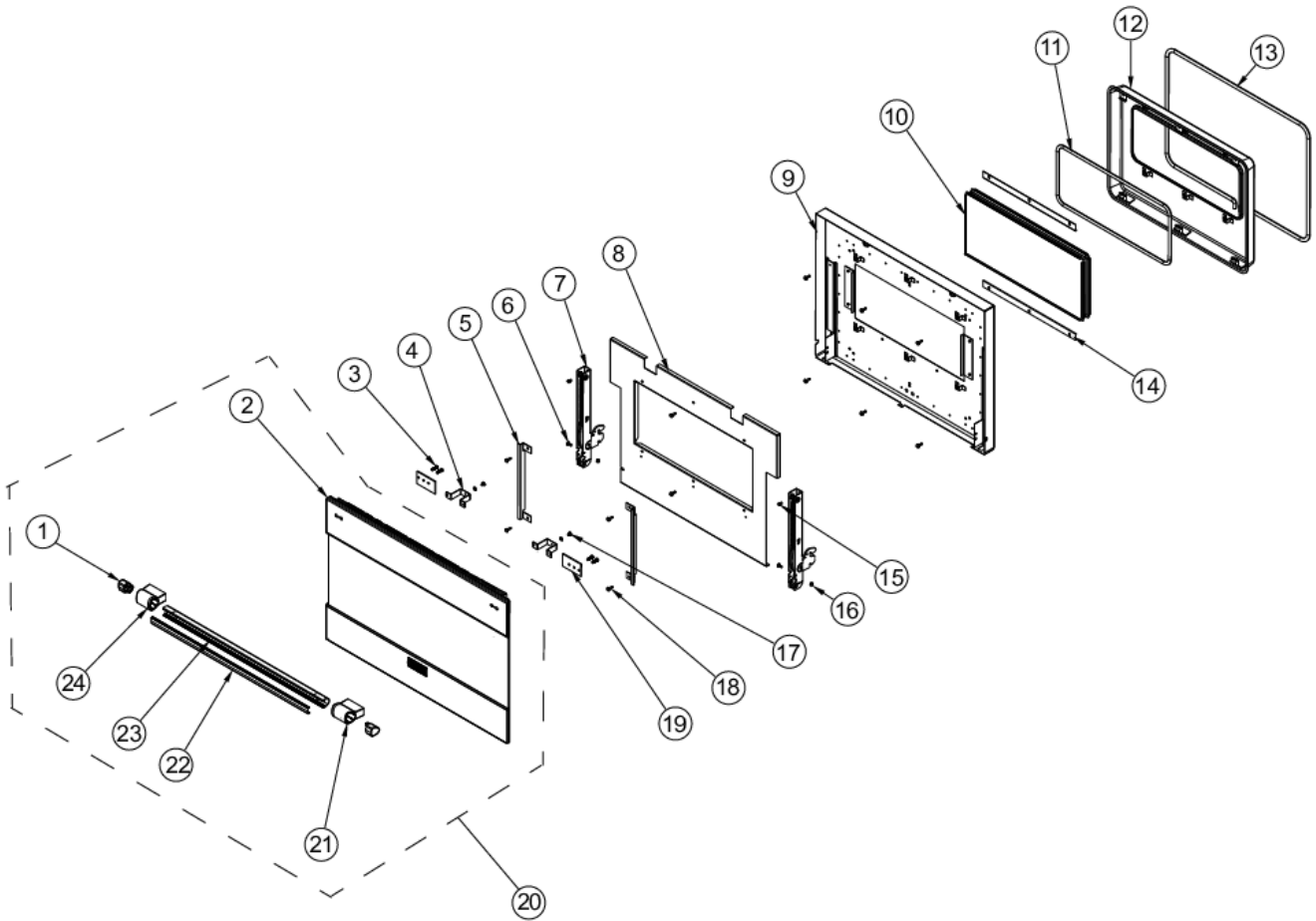


Item	Part No.	Name	Qty	Uom	NOTES
20	035278-006	OUTER DOOR PANEL ASM, 30" D3, WH	1	EA	
20	035278-008	OUTER DOOR PANEL ASM, 30" D3, BU	1	EA	
20	035278-009	OUTER DOOR PANEL ASM, 30" D3, LE	1	EA	
20	035278-010	OUTER DOOR PANEL ASM, 30" D3, MJ	1	EA	
20	035278-012	OUTER DOOR PANEL ASM, 30" D3, VB	1	EA	
20	035278-013	OUTER DOOR PANEL ASM, 30" D3, CB	1	EA	
20	035278-015	OUTER DOOR PANEL ASM, 30" D3, PL	1	EA	
20	035278-016	OUTER DOOR PANEL ASM, 30" D3, CH	1	EA	
20	035278-017	OUTER DOOR PANEL ASM, 30" D3, TP	1	EA	
20	035278-018	OUTER DOOR PANEL ASM, 30" D3, TP NLA	1	EA	
20	035278-021	OUTER DOOR PANEL ASM, 30" D3, SA	1	EA	
20	035278-022	OUTER DOOR PANEL ASM, 30" D3, SE	1	EA	
20	035278-023	OUTER DOOR PANEL ASM, 30" D3, IB	1	EA	
20	035278-024	OUTER DOOR PANEL ASM, 30" D3, AR	1	EA	Not available online / Call for pricing and availability
20	035278-025	OUTER DOOR PANEL ASM, 30" D3, RR	1	EA	
20	035278-051	OUTER DOOR PANEL ASM, 30" D3, CN	1	EA	
20	035278-052	OUTER DOOR PANEL ASM, 30" D3, DJ	1	EA	
20	035278-053	OUTER DOOR PANEL ASM, 30" D3, KB	1	EA	
20	035278-054	OUTER DOOR PANEL ASM, 30" D3, WS	1	EA	
21	028000-000	ENDCAP, RH, D3	1	EA	
22	027988-000	INSERT, D3 30" HANDLE	1	EA	
23	027986-000	HANDLE, D3 30"	1	EA	





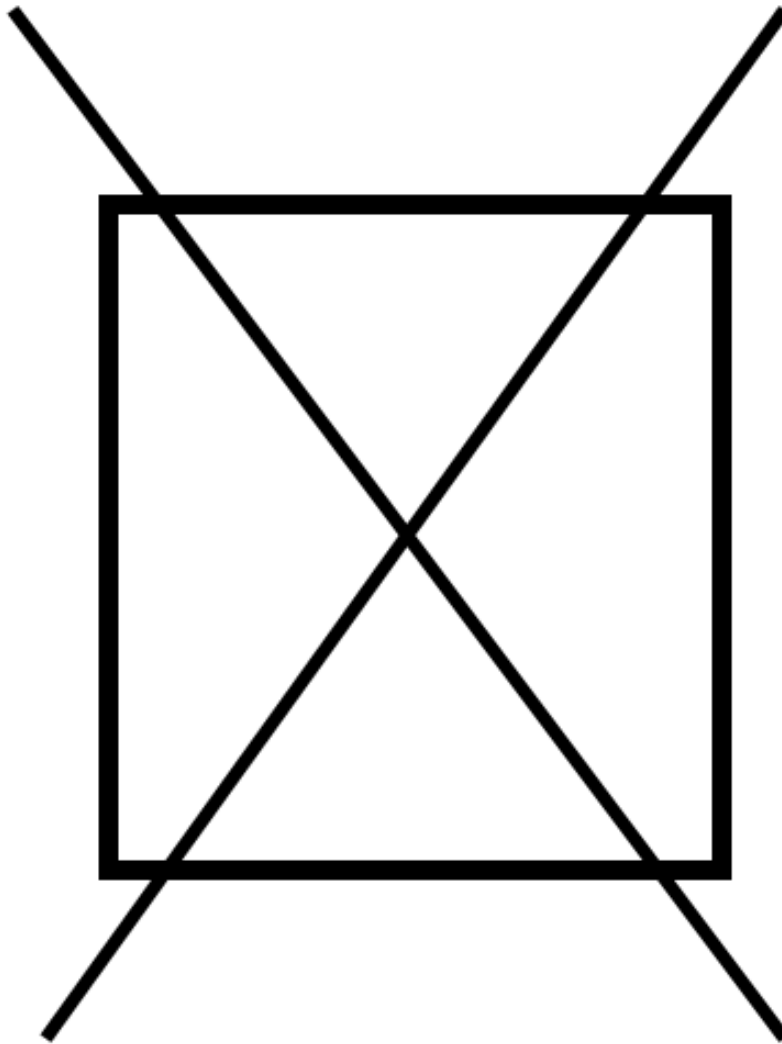
Item	Part No.	Name	Qty	Uom	NOTES
24	028001-000	ENDCAP, LH,D3	1	EA	
NI	030909-000	DOOR ASM, RDSCG230 SS	1	EA	
NI	035280-002	DOOR ASM, 30" D3 GAS OVEN, BK	1	EA	Not available online / Call for pricing and availability
NI	035280-003	DOOR ASM, 30" D3 GAS OVEN, BT	1	EA	Not available online / Call for pricing and availability
NI	035280-004	DOOR ASM, 30" D3 GAS OVEN, SG	1	EA	Not available online / Call for pricing and availability
NI	035280-005	DOOR ASM, 30" D3 GAS OVEN, GG	1	EA	Not available online / Call for pricing and availability
NI	035280-006	DOOR ASM, 30" D3 GAS OVEN, WH	1	EA	Not available online / Call for pricing and availability
NI	035280-008	DOOR ASM, 30" D3 GAS OVEN, BU	1	EA	Not available online / Call for pricing and availability
NI	035280-009	DOOR ASM, 30" D3 GAS OVEN, LE	1	EA	Not available online / Call for pricing and availability
NI	035280-010	DOOR ASM, 30" D3 GAS OVEN, MJ	1	EA	Not available online / Call for pricing and availability
NI	035280-012	DOOR ASM, 30" D3 GAS OVEN, VB	1	EA	Not available online / Call for pricing and availability
NI	035280-013	DOOR ASM, 30" D3 GAS OVEN, CB	1	EA	Not available online / Call for pricing and availability
NI	035280-015	DOOR ASM, 30" D3 GAS OVEN, PL	1	EA	Not available online / Call for pricing and availability
NI	035280-016	DOOR ASM, 30" D3 GAS OVEN, CH	1	EA	Not available online / Call for pricing and availability





Item	Part No.	Name	Qty	Uom	NOTES
NI	035280-017	DOOR ASM, 30" D3 GAS OVEN, TP	1	EA	Not available online / Call for pricing and availability
NI	035280-018	DOOR ASM, 30" D3 GAS OVEN, BK	1	EA	Not available online / Call for pricing and availability
NI	035280-021	DOOR ASM, 30" D3 GAS OVEN, SA	1	EA	Not available online / Call for pricing and availability
NI	035280-022	DOOR ASM, 30" D3 GAS OVEN, SE	1	EA	Not available online / Call for pricing and availability
NI	035280-023	DOOR ASM, 30" D3 GAS OVEN, IB	1	EA	Not available online / Call for pricing and availability
NI	035280-024	DOOR ASM, 30" D3 GAS OVEN, AR	1	EA	Not available online / Call for pricing and availability
NI	035280-025	DOOR ASM, 30" D3 GAS OVEN, RR	1	EA	Not available online / Call for pricing and availability
NI	035280-051	DOOR ASM, 30" D3 GAS OVEN, CN	1	EA	
NI	035280-052	DOOR ASM, 30" D3 GAS OVEN, DJ	1	EA	
NI	035280-053	DOOR ASM, 30" D3 GAS OVEN, KB	1	EA	
NI	035280-054	DOOR ASM, 30" D3 GAS OVEN, WS	1	EA	

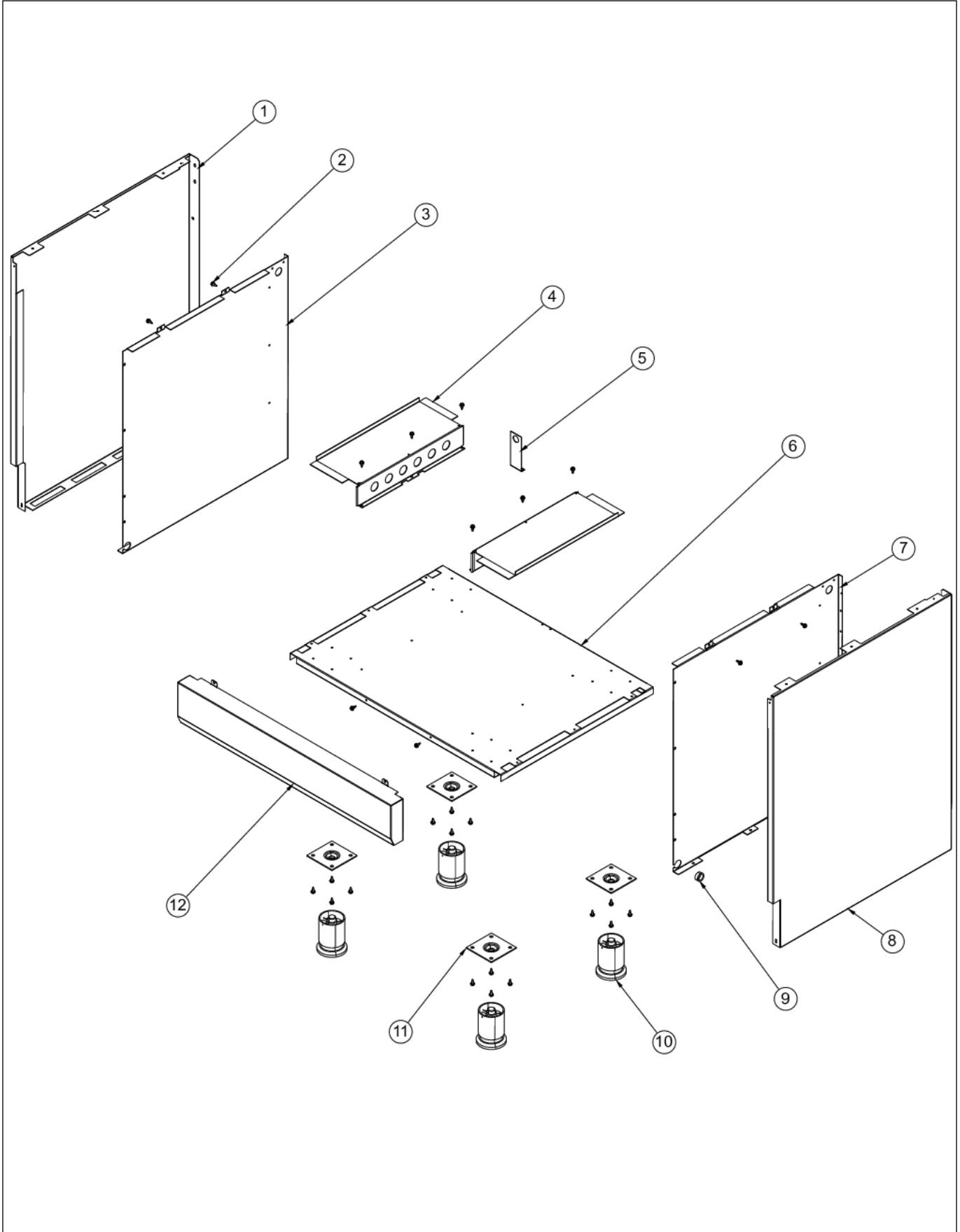
NON
ILLUSTRATED PART



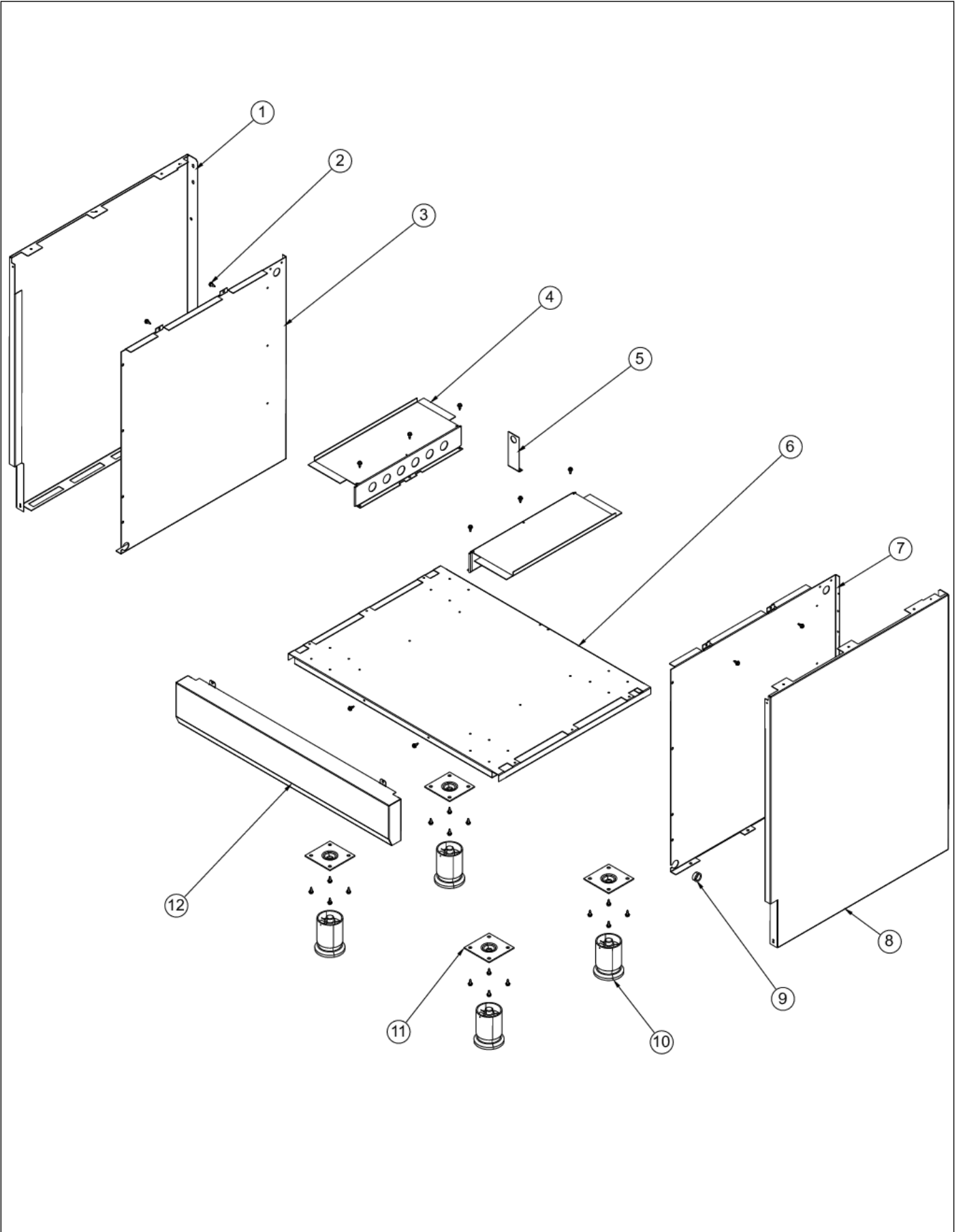


Item	Part No.	Name	Qty	Uom	NOTES
NI	032965-000	D3 ISLAND TRIM ASM	1	EA	

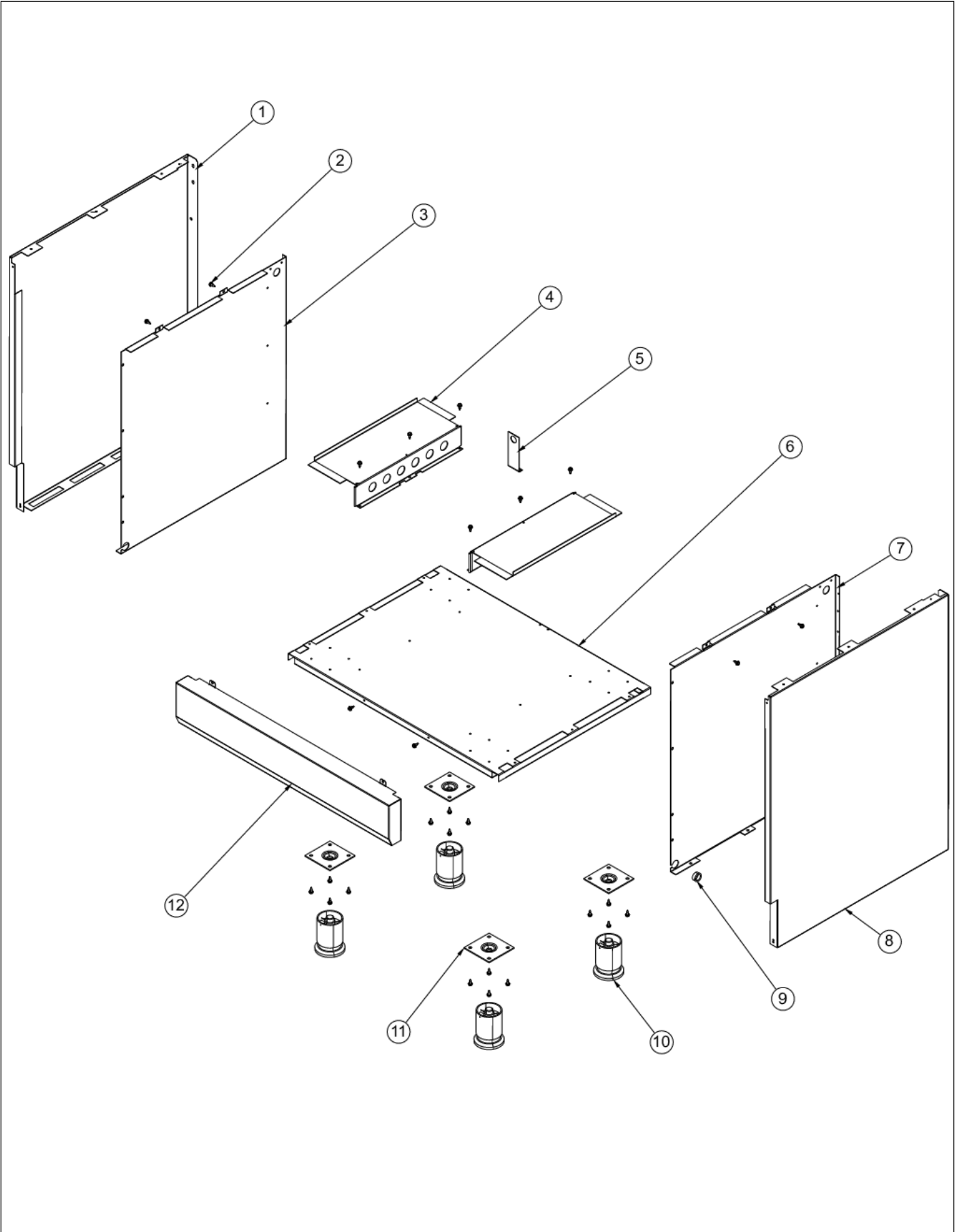
LOWER UNIT AND SIDE PANELS



Item	Part No.	Name	Qty	Uom	NOTES
1	032816-000	PNL, SIDE, LH, D3 - SS	1	EA	
1	035005-002	PNL, SIDE, LH, D3 - BK	1	EA	
1	035005-003	PANEL, SIDE, LH, D3, BT	1	EA	
1	035005-004	PANEL, SIDE, LH, D3, SG	1	EA	
1	035005-005	PANEL, SIDE, LH, D3, GG	1	EA	
1	035005-006	PNL, SIDE, LH, D3 - WH	1	EA	
1	035005-008	PANEL, SIDE, LH, D3, BU	1	EA	Not available online / Call for pricing and availability
1	035005-009	PANEL, SIDE, LH, D3, LE	1	EA	
1	035005-010	PANEL, SIDE, LH, D3, MJ	1	EA	
1	035005-012	PANEL, SIDE, LH, D3, VB	1	EA	Not available online / Call for pricing and availability
1	035005-013	PANEL, SIDE, LH, D3, CB	1	EA	
1	035005-015	PANEL, SIDE, LH, D3, PL	1	EA	
1	035005-016	PANEL, SIDE, LH, D3, CH	1	EA	
1	035005-017	PANEL, SIDE, LH, D3, TP	1	EA	
1	035005-018	PANEL, SIDE, LH, D3, CW NLA	1	EA	
1	035005-021	PANEL, SIDE, LH, D3, SA	1	EA	
1	035005-022	PANEL, SIDE, LH, D3, SE	1	EA	
1	035005-023	PANEL, SIDE, LH, D3, IB	1	EA	
1	035005-024	PANEL, SIDE, LH, D3, AR	1	EA	Not available online / Call for pricing and availability
1	035005-025	PANEL, SIDE, LH, D3, RR	1	EA	
1	035005-051	PANEL, SIDE, LH, D3, CN	1	EA	
1	035005-052	PANEL, SIDE, LH, D3, DJ	1	EA	
1	035005-053	PANEL, SIDE, LH, D3, KB	1	EA	
1	035005-054	PANEL, SIDE, LH, D3, WS	1	EA	
2	003860-000	10-18 x .500 FASTNR,SCR,HXWH,STL,ZPLT	28	EA	
3	013660-000	INSULATION, PNL, SIDE, LH	1	EA	
4	013661-000	BRACKET, SUPPORT	2	EA	
5	014642-000	BRACKET, BAKE ORIFICE	1	EA	



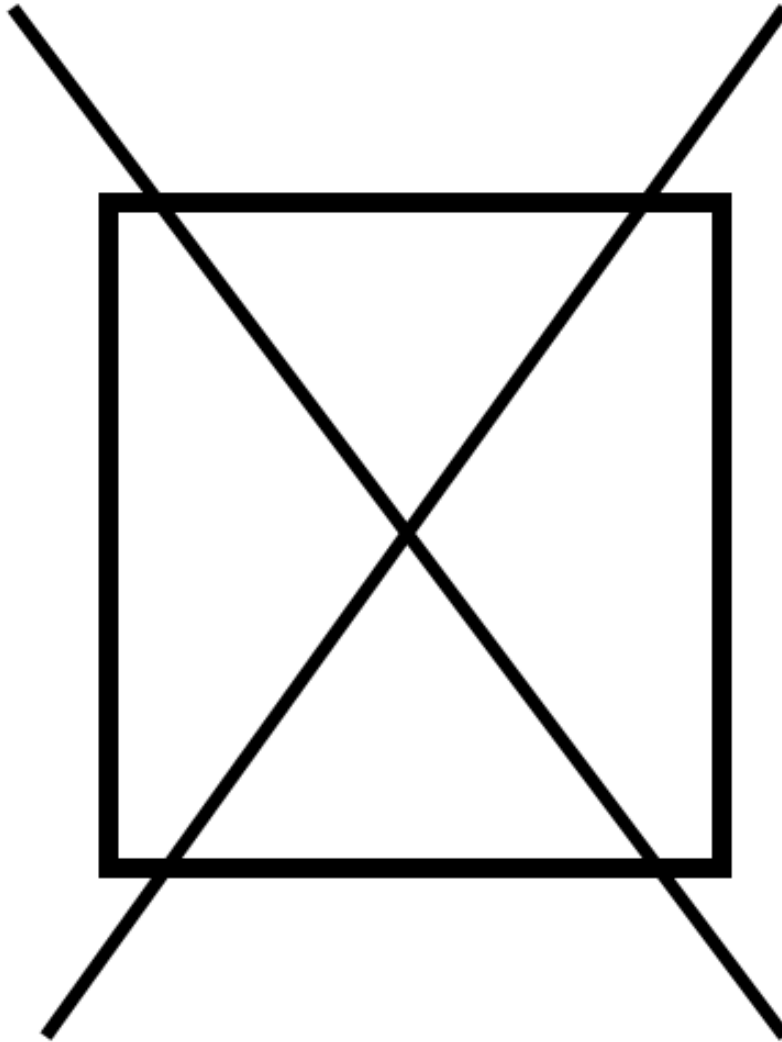
Item	Part No.	Name	Qty	Uom	NOTES
6	020083-000	BOTTOM, MAIN, 30"	1	EA	
7	013659-000	INSULATION, PNL, SIDE, RH	1	EA	
8	032813-000	PNL, SIDE, RH, D3 - SS	1	EA	
8	035006-002	PNL, SIDE, RH, D3 - BK	1	EA	
8	035006-003	PANEL, SIDE, RH, D3, BT	1	EA	
8	035006-004	PANEL, SIDE, RH, D3, SG	1	EA	
8	035006-005	PANEL, SIDE, RH, D3, GG	1	EA	
8	035006-006	PNL, SIDE, RH, D3 - WH	1	EA	
8	035006-008	PANEL, SIDE, RH, D3, BU	1	EA	
8	035006-009	PANEL, SIDE, RH, D3, LE	1	EA	
8	035006-010	PANEL, SIDE, RH, D3, MJ	1	EA	
8	035006-012	PANEL, SIDE, RH, D3, VB	1	EA	
8	035006-013	PANEL, SIDE, RH, D3, CB	1	EA	
8	035006-015	PANEL, SIDE, RH, D3, PL	1	EA	
8	035006-016	PANEL, SIDE, RH, D3, CH	1	EA	
8	035006-017	PANEL, SIDE, RH, D3, TP	1	EA	
8	035006-018	PANEL, SIDE, RH, D3, CW NLA	1	EA	
8	035006-021	PANEL, SIDE, RH, D3, SA	1	EA	
8	035006-022	PANEL, SIDE, RH, D3, SE	1	EA	
8	035006-023	PANEL, SIDE, RH, D3, IB	1	EA	
8	035006-024	PANEL, SIDE, RH, D3, AR	1	EA	Not available online / Call for pricing and availability
8	035006-025	PANEL, SIDE, RH, D3, RR	1	EA	
8	035006-051	PANEL, SIDE, RH, D3, CN	1	EA	
8	035006-052	PANEL, SIDE, RH, D3, DJ	1	EA	
8	035006-053	PANEL, SIDE, RH, D3, KB	1	EA	
8	035006-054	PANEL, SIDE, RH, D3, WS	1	EA	
9	PD040005	SNAP BUSHING - 7/8"	1	EA	
10	044178-000	RANGE, LEG, ADJUSTABLE	4	EA	
11	PC030007	LEG PLATE - 3/4" THREADED HOLE	4	EA	
12	030961-000	KICKPLATE, D3, SS	1	EA	
12	038552-006	KICKPLATE, DESIGNER WH	1	EA	





Item	Part No.	Name	Qty	Uom	NOTES
12	038552-002	KICKPLATE DESIGNER BK	1	EA	
12	038552-003	KICKPLATE DESIGNER BT	1	EA	
12	038552-004	KICKPLATE DESIGNER SG	1	EA	
12	038552-005	KICKPLATE DESIGNER GG	1	EA	
12	038552-008	KICKPLATE DESIGNER BU	1	EA	
12	038552-009	KICKPLATE DESIGNER LE	1	EA	
12	038552-010	KICKPLATE DESIGNER MJ	1	EA	
12	038552-012	KICKPLATE DESIGNER VB	1	EA	
12	038552-013	KICKPLATE DESIGNER CB	1	EA	
12	038552-015	KICKPLATE DESIGNER PL	1	EA	
12	038552-016	KICKPLATE DESIGNER CH	1	EA	
12	038552-017	KICKPLATE DESIGNER TP	1	EA	
12	038552-018	KICKPLATE DESIGNER CW NLA	1	EA	
12	038552-021	KICKPLATE DESIGNER SA	1	EA	
12	038552-022	KICKPLATE DESIGNER SE	1	EA	
12	038552-023	KICKPLATE DESIGNER IB	1	EA	
12	038552-024	KICKPLATE DESIGNER AR	1	EA	
12	038552-025	KICKPLATE DESIGNER RR	1	EA	
12	038552-051	KICKPLATE DESIGNER CN	1	EA	
12	038552-052	KICKPLATE DESIGNER DJ	1	EA	
12	038552-054	KICKPLATE DESIGNER WS	1	EA	

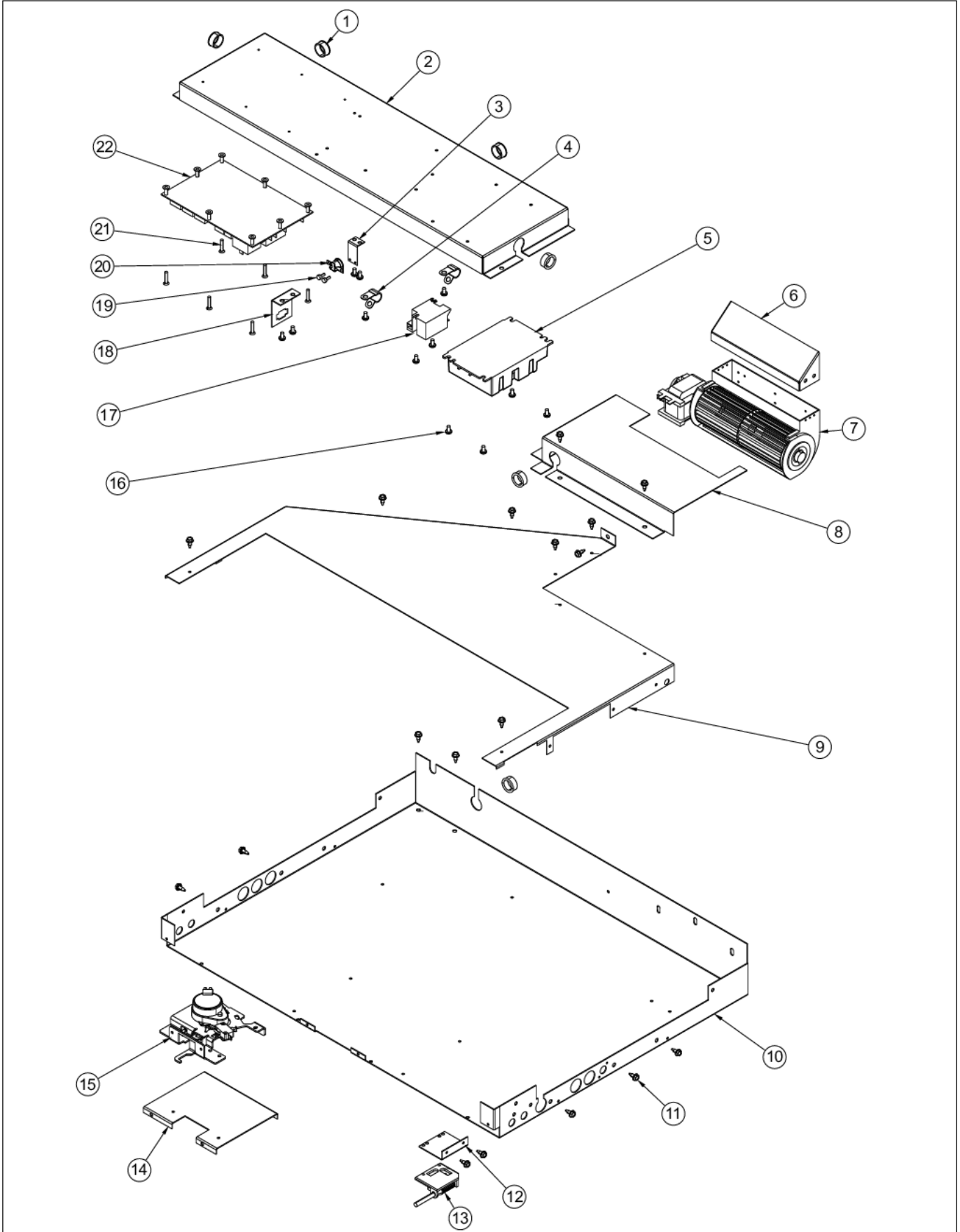
NON
ILLUSTRATED PART





Item	Part No.	Name	Qty	Uom	NOTES
NI	035267-000	LR Injector, LP, 0.79 MM	1	EA	
NI	036165-000	LF-High Injector, LP, 1.09 MM	1	EA	
NI	035266-000	LF-Low Injector, LP, 0.33 MM	1	EA	
NI	041847-000	D3 LP ORIFICE KIT FOR TC-0086 - SP BULLITEN	1	EA	
Not Shown	NOTE	(BUILT PRIOR TO 01/03/13)		EA	
NI	035268-000	Center-Injector, LP, 0.87 MM	1	EA	
NI	035265-000	RF Injector, LP, 1.19 MM	1	EA	
NI	035270-000	RR Injector, LP, 1.01 MM	1	EA	

OVEN ELECTRONICS





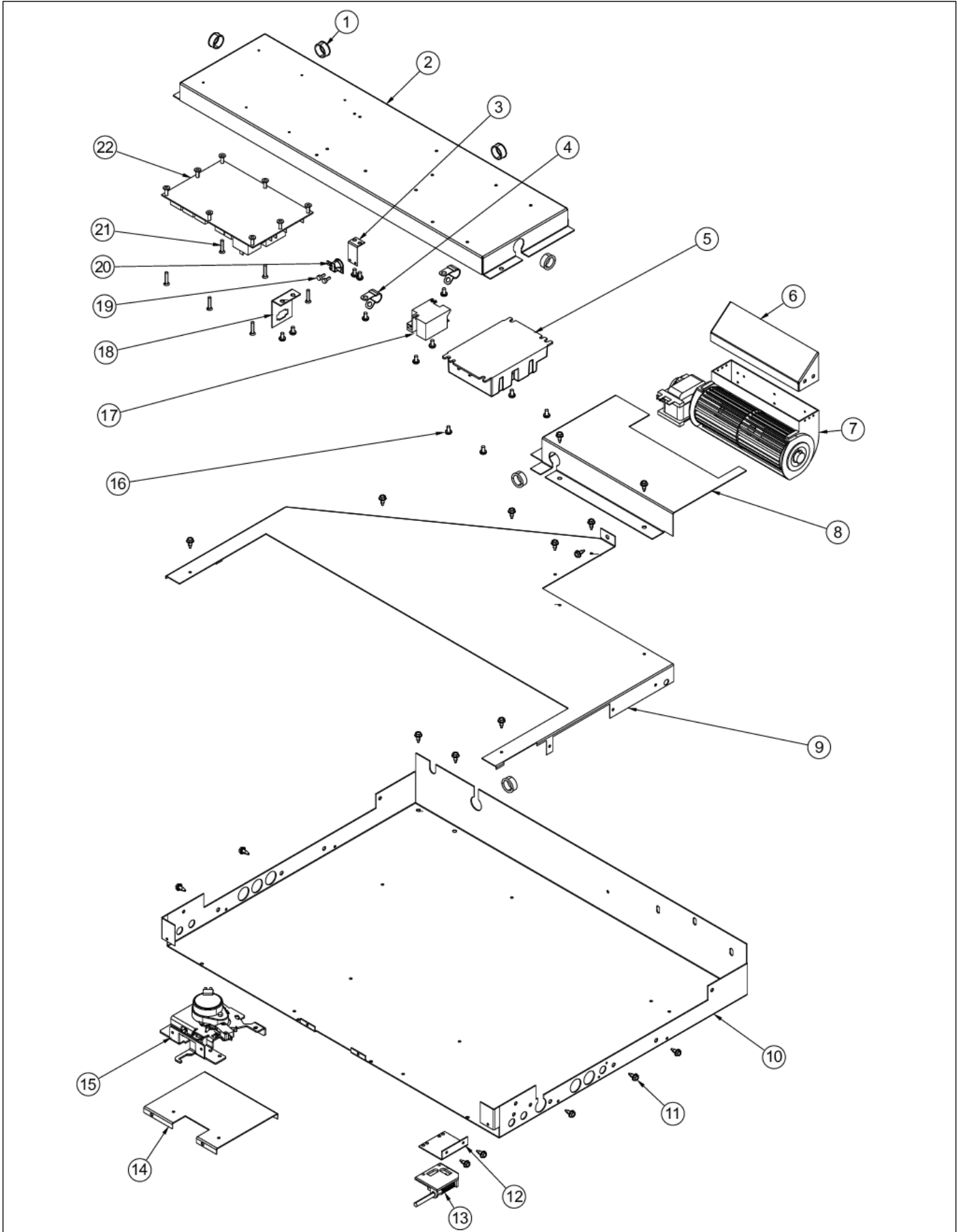
Item	Part No.	Name	Qty	Uom	NOTES
1	PD040005	SNAP BUSHING - 7/8"	6	EA	
2	033529-000	PLATE, MTG, COMP.	1	EA	
3	A20014089	DISC BRACKET	1	EA	
4	015208-000	Clip, Wiring 3/8"	2	EA	Not available online / Call for pricing and availability
5	023651-000	DSI120-2-LVS	1	EA	
6	031030-000	FAN DEFLECTOR	1	EA	
7	PE050250	Blower	1	EA	

Comments for Part Num. PE050250

highendappsvc@gmail.com on Jan 28, 2019

If you need to replace cooling fan for the model vgsc5486gss serial date code 031412, do not order this fan, this fan is larger and configured wrong. The correct fan is 007794-000. it is smaller.

Not Shown	NOTE	BEFORE 8/22/12		EA	
7	019958-000	FAN,COOLING,SINGLE, 120Vx180(51399)	1	EA	
Not Shown	NOTE	AFTER 8/22/12		EA	
8	031034-000	COVER, FAN	1	EA	
9	031015-000	AIR DUCT, D3	1	EA	
10	031014-000	RETAINER, TOP INSULATION, RDSCG, 30"	1	EA	Not available online / Call for pricing and availability
11	003860-000	10-18 x .500 FASTNR,SCR,HXWH,STL,ZPLT	21	EA	
12	A20012649	DOOR SWITCH BRACKET	1	EA	
13	PE050208	DOOR SWITCH	1	EA	
14	030985-000	LATCH MOUNT	1	EA	
15	012565-000	LATCH,DOOR,ASM,120V, LOCKED POSITION	1	EA	
16	PD020004	10X3/8PH.HD.TYPE 25 REPL PD040125	12	EA	
17	PA020037	SINGLE MODULE 120V	1	EA	
18	033668-000	BRACKET, DISCONNECT	1	EA	
19	PD020067	' #6 X 3/8" PAN PHIL. TEK *SS*	2	EA	





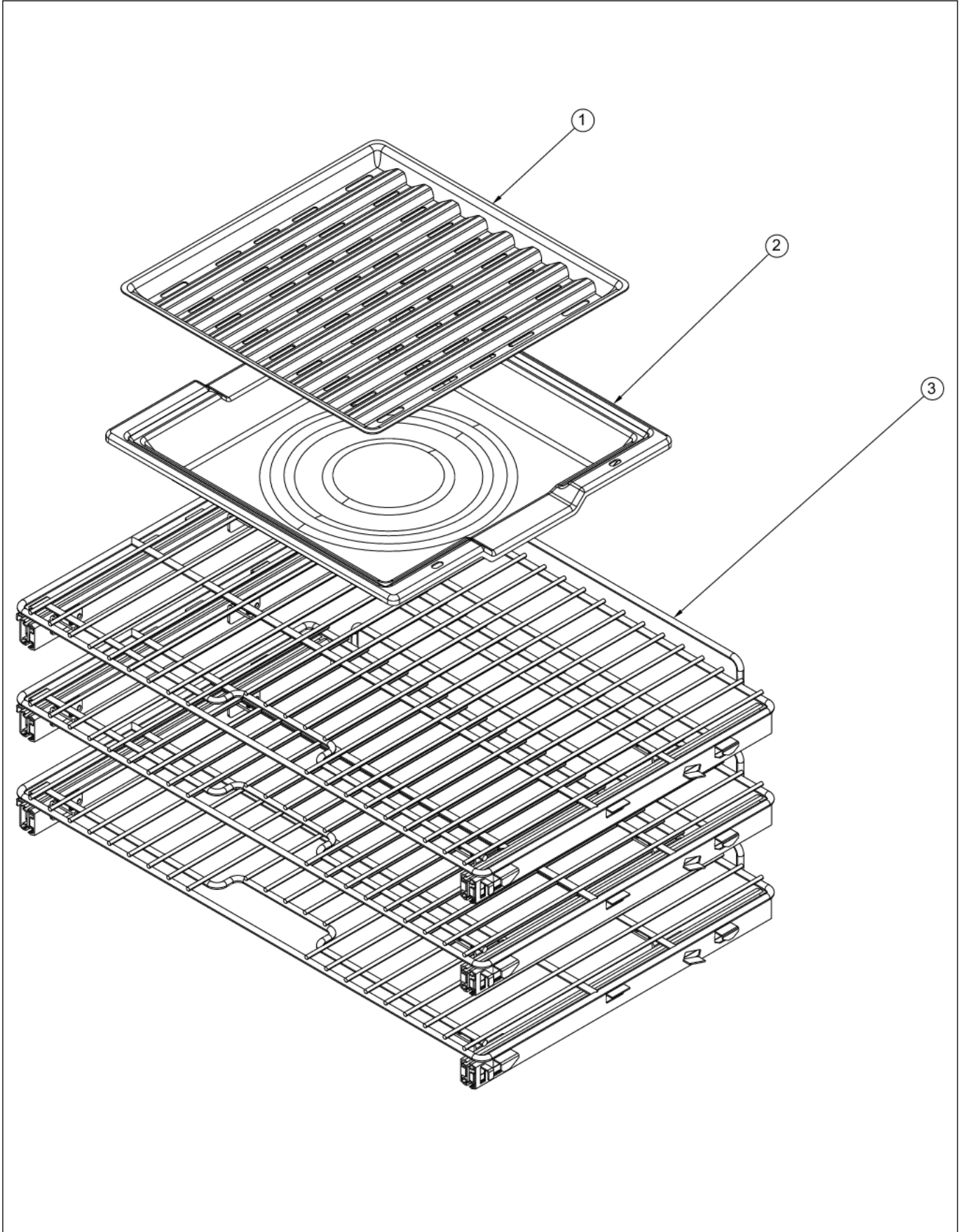
Item	Part No.	Name	Qty	Uom	NOTES
20	PJ030039	BI-METAL THERMOSTAT 275 DEGREES	1	EA	
21	PD020043	#6-32 X .750 PH. CTRSK T(F)-VGSO166	6	EA	
22	015981-000	CONTROL,BD,EOC2 GAS SELF CLEAN	1	EA	

Comments for Part Num. 015981-000

gboltz@VikingRange.com on Sep 16, 2016

SEE TC-0043-SP BULLETIN BEFORE ORDERING

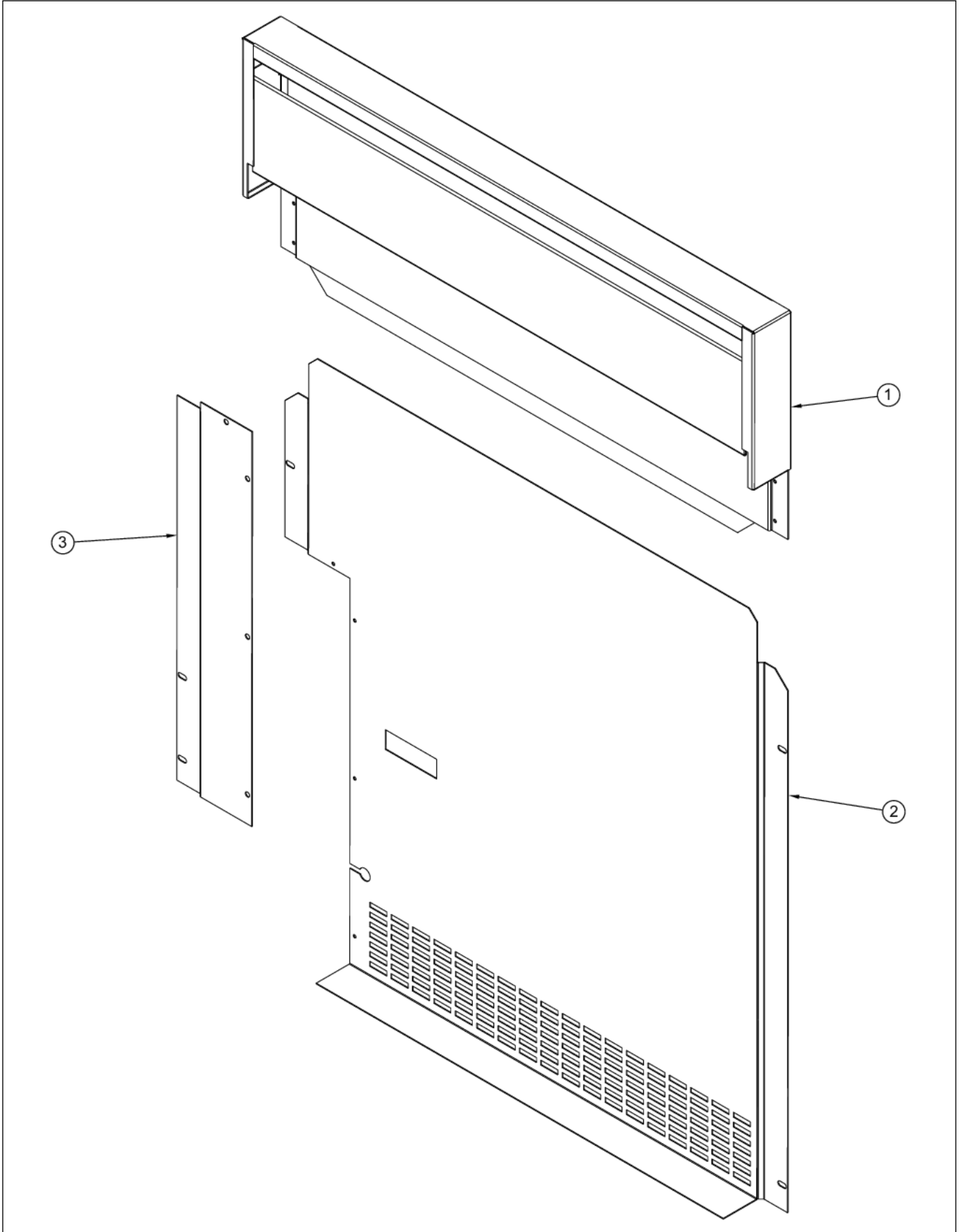
OVEN RACKS





Item	Part No.	Name	Qty	Uom	NOTES
1	042251-000	PAN, GRILL, TOP, PORCELAIN	1	EA	
2	042252-000	PAN, BROILER, BTM, PORCELAIN	1	EA	
3	051818-000	RACK, GLIDE, GAS 30"	3	EA	
NI	042253-000	PAN, BROILER, PORCELAIN ASM	1	EA	

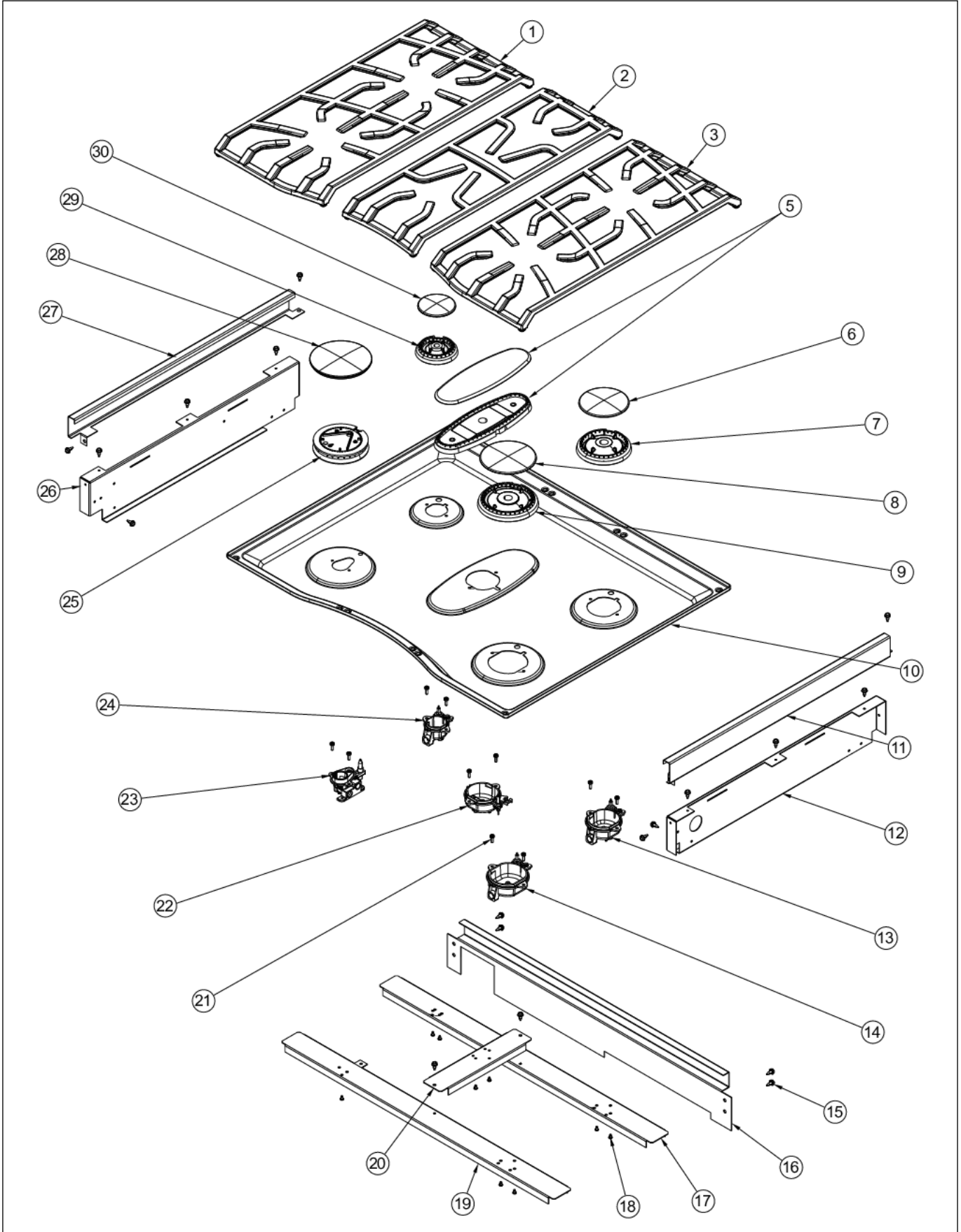
REAR SHEET METAL



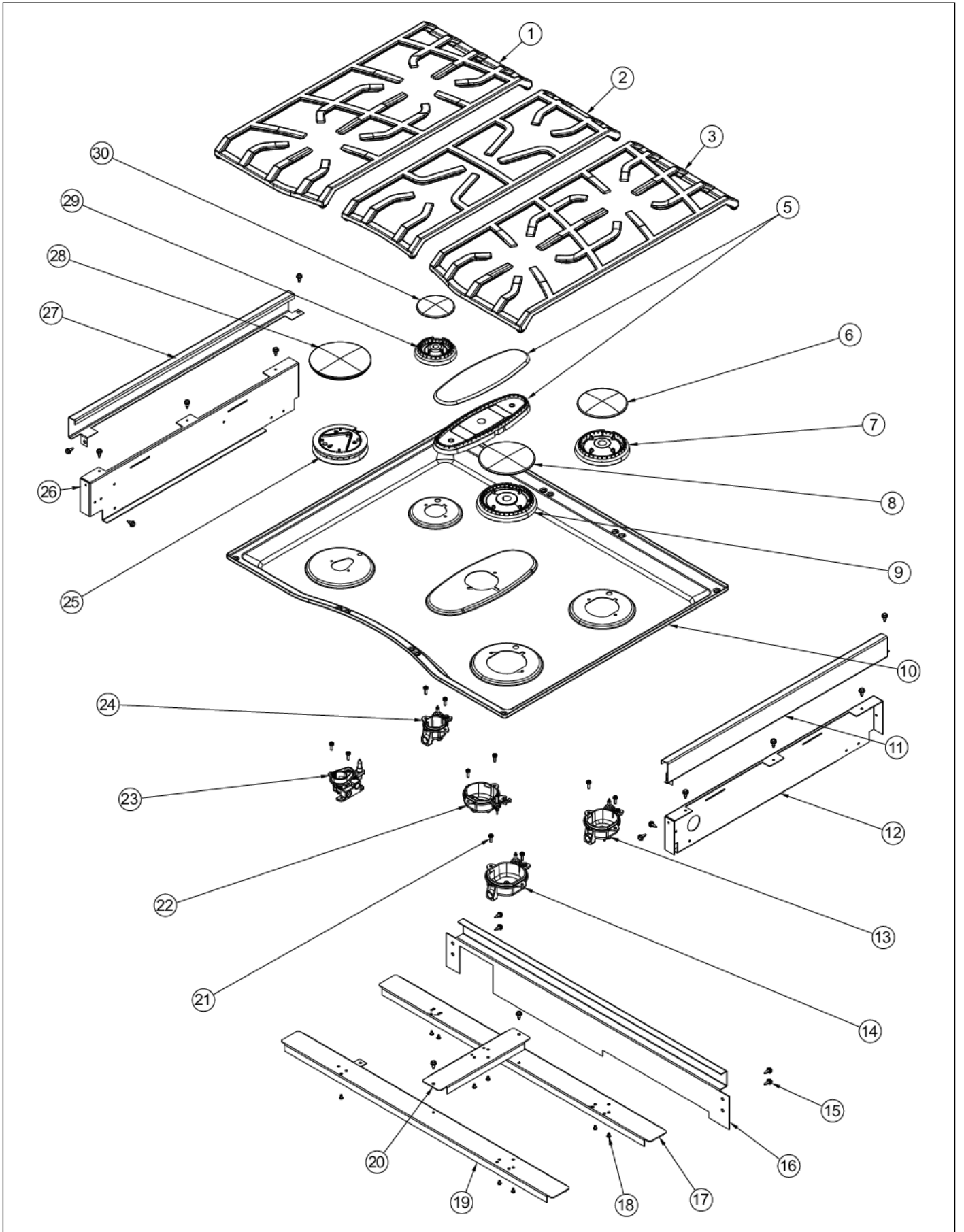


Item	Part No.	Name	Qty	Uom	NOTES
1	033330-000	30" D3 BACKGUARD, ASM	1	EA	
2	031320-000	BACK, OVEN, D3	1	EA	
3	031831-000	ACCESS COVER, REGULATOR	1	EA	
NI	A2002654	ANTI-TIP DEVICE (VDSC)	1	EA	

SURFACE BURNER AREA



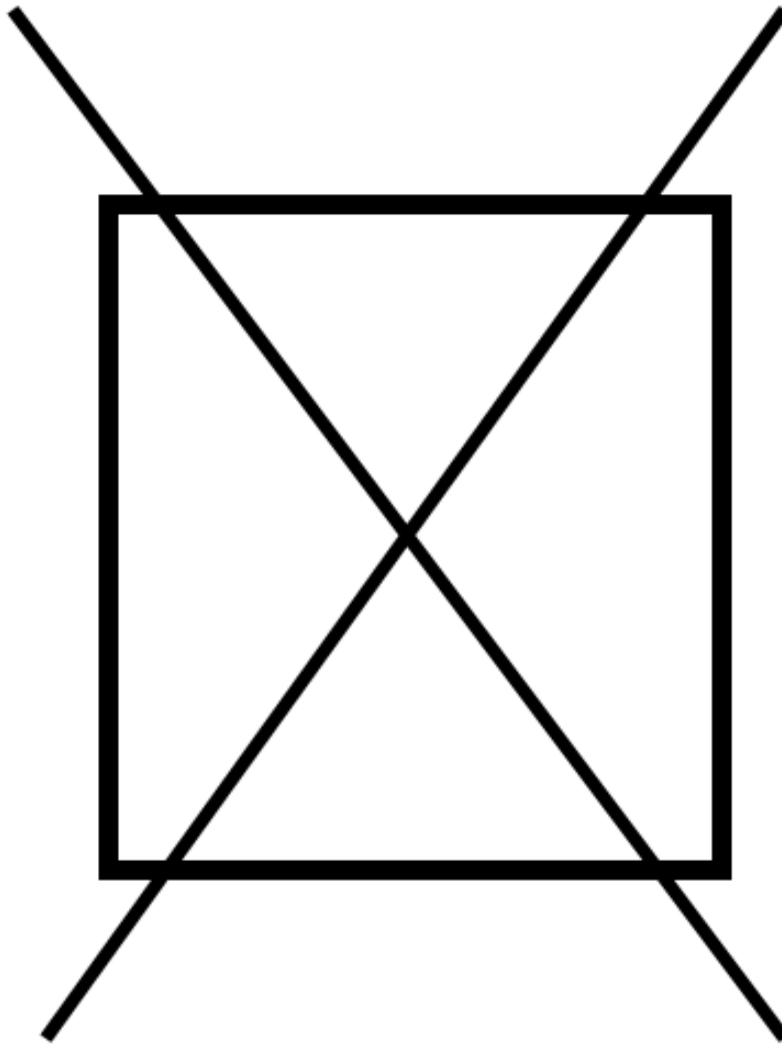
Item	Part No.	Name	Qty	Uom	NOTES
1	031224-000	D3 LH GRATE ASM	1	EA	
2	031225-000	D3 CENTER GRATE ASM	1	EA	
3	031223-000	D3 RH GRATE ASM	1	EA	
5	030984-000	FISH BURNER, 92000 BTU	1	EA	
6	031413-000	BNR CAP, RAPID, 12000 BTU	1	EA	
7	031417-000	BNR HEAD, RAPID, 12000 BTU	1	EA	
8	031412-000	BNR CAP, ULTRARAPID, 18000 BTU	1	EA	
9	031416-000	BNR HEAD, ULTRARAPID, 18000 BTU	1	EA	
10	030938-402	30" D3 SEALED TOP W/BK PORCELAIN	1	EA	
11	013986-000	TRIM, SIDE, RT, D130	1	EA	
12	031073-000	PANEL, BURNER BOX SIDE, RH	1	EA	
13	030973-000	BNR BASE, RAPID, 12000 BTU	1	EA	
14	031022-000	BNR BASE, ULTRARAPID, 18000 BTU	1	EA	
15	003860-000	10-18 x .500 FASTNR,SCR,HXWH,STL,ZPLT	18	EA	
16	031023-000	SUPPORT, REAR BURNER BOX	1	EA	
17	031004-000	BURNER CHANNEL, REAR	1	EA	
18	PD020006	' #6-32 X 1/4" PH.PAN HD. T(F)	9	EA	
19	031003-000	BURNER CHANNEL, FRONT	1	EA	
20	031005-000	CENTER BURNER CHANNEL	1	EA	
21	036100-000	FASTENER, SCR, M4	10	EA	
22	030977-000	BURNER BASE, FISH, 9200 BTU	1	EA	
23	030978-000	BASE, STACKED BURNER	1	EA	
24	030974-000	BNR BASE, SEMIRAPID, 8000 BTU	1	EA	
25	031419-000	BURNER HEAD, STACKED	1	EA	
26	031074-000	PANEL, BURNER BOX SIDE, LH	1	EA	
27	014543-000	TRIM, SIDE, LF, DESIGNER	1	EA	
28	031415-000	BURNER CAP, STACKED	1	EA	
29	031418-000	BNR HEAD, SEMIRIPID, 8000 BTU	1	EA	
30	031414-000	BNR CAP, SIMIRAPID, 80000 BTU	1	EA	





Item	Part No.	Name	Qty	Uom	NOTES
NI	031430-000	GRATE, FOOT	12	EA	

NON ILLUSTRATED PART





Item	Part No.	Name	Qty	Uom	NOTES
NI	023341-000	IRIS HARNESS 24, 30	1	EA	
NI	000647-000	IRIS IGNITOR WIRE, FRONT BURNER	1	EA	
NI	006766-000	IRIS IGNITOR WIRE, BACK BURNER	3	EA	
NI	033674-000	HARNESS, MAIN, D3 GAS	1	EA	
NI	004133-000	CONTROL PANEL HARNESS	1	EA	
NI	023750-000	CORD, SUPPLY	1	EA	
NI	024606-000	WIRE, BAKE, ELECTRODE, ASM	1	EA	
NI	PE070036	NYLON CABLE TIES -7"	2	EA	
NI	036199-000	HARNESS, IGNITOR, ASM	1	EA	
NI	G4000936	GROUND WIRE	1	EA	
NI	PE070796	HARN, HEADER, MODEL 4 (SEE MODEL_HEADER) - NLA	1	EA	



Appendix A:Pages Index

BACKGUARD ASSEMBLY 1
CAVITY AREA 2
CONTROL AREA 3
DOOR ASSEMBLY 4
ISLAND TRIM ASSEMBLY 5
LOWER UNIT AND SIDE PANELS 6
LP ORIFICES 7
OVEN ELECTRONICS 8
OVEN RACKS 9
REAR SHEET METAL 10
SURFACE BURNER AREA 11
WIRING 12



Appendix B:Parts Index

000042-000	4	023580-000	2
000594-000	4	023651-000	8
000647-000	12	023750-000	12
002740-000	4	024606-000	12
003860-000	2, 3, 6, 8, 11	027986-000	4
004133-000	12	027988-000	4
004688-000	4	028000-000	4
004691-000	4	028001-000	4
005311-000	2	028002-000	4
005329-000	2	029914-000	3
006766-000	12	030906-000	4
007278-000	2	030909-000	4
007583-000	4	030938-402	11
008971-000	4	030961-000	6
008974-000	4	030973-000	11
009112-000	2	030974-000	11
012565-000	8	030977-000	11
013659-000	6	030978-000	11
013660-000	6	030983-000	4
013661-000	6	030984-000	11
013986-000	11	030985-000	8
014543-000	11	031003-000	11
014642-000	6	031004-000	11
014748-402	2	031005-000	11
014756-402	2	031014-000	8
015170-000	3	031015-000	8
015174-000	3	031022-000	11
015208-000	8	031023-000	11
015310-000	4	031030-000	8
015981-000	8	031034-000	8
019175-000	2	031073-000	11
019958-000	8	031074-000	11
020083-000	6	031223-000	11
020474-000	3	031224-000	11
021199-000	2	031225-000	11
021225-000	2	031297-000	3
023089-000	2	031320-000	10
023341-000	12	031380-000	3
023578-000	2	031387-000	3
023579-000	2	031388-000	3
		031392-000	3



031393-000	3	033331-000	1
031400-000	3	033332-000	1
031412-000	11	033333-000	1
031413-000	11	033334-000	1
031414-000	11	033529-000	8
031415-000	11	033583-000	2
031416-000	11	033585-000	2
031417-000	11	033586-000	2
031418-000	11	033588-000	2
031419-000	11	033668-000	8
031430-000	11	033674-000	12
031445-403	2	035005-002	6
031462-000	3	035005-003	6
031469-000	3	035005-004	6
031498-000	3	035005-005	6
031501-000	3	035005-006	6
031502-000	3	035005-008	6
031673-000	2	035005-009	6
031674-000	2	035005-010	6
031678-000	2	035005-012	6
031679-000	2	035005-013	6
031683-000	2	035005-015	6
031729-000	2	035005-016	6
031735-000	2	035005-017	6
031766-000	2	035005-018	6
031777-000	2	035005-021	6
031804-000	3	035005-022	6
031818-000	3	035005-023	6
031821-000	3	035005-024	6
031831-000	10	035005-025	6
031853-000	2	035005-051	6
031855-000	2	035005-052	6
031857-000	2	035005-053	6
031899-000	2	035005-054	6
032142-000	2	035006-002	6
032314-000	3	035006-003	6
032813-000	6	035006-004	6
032816-000	6	035006-005	6
032942-000	3	035006-006	6
032965-000	5	035006-008	6
033330-000	1, 10	035006-009	6



035006-010	6	035278-051	4
035006-012	6	035278-052	4
035006-013	6	035278-053	4
035006-015	6	035278-054	4
035006-016	6	035280-002	4
035006-017	6	035280-003	4
035006-018	6	035280-004	4
035006-021	6	035280-005	4
035006-022	6	035280-006	4
035006-023	6	035280-008	4
035006-024	6	035280-009	4
035006-025	6	035280-010	4
035006-051	6	035280-012	4
035006-052	6	035280-013	4
035006-053	6	035280-015	4
035006-054	6	035280-016	4
035216-000	3	035280-017	4
035265-000	7	035280-018	4
035266-000	7	035280-021	4
035267-000	7	035280-022	4
035268-000	7	035280-023	4
035270-000	7	035280-024	4
035278-002	4	035280-025	4
035278-003	4	035280-051	4
035278-004	4	035280-052	4
035278-005	4	035280-053	4
035278-006	4	035280-054	4
035278-008	4	036100-000	11
035278-009	4	036165-000	7
035278-010	4	036199-000	12
035278-012	4	036576-000	3, 3, 3
035278-013	4	038552-002	6
035278-015	4	038552-003	6
035278-016	4	038552-004	6
035278-017	4	038552-005	6
035278-018	4	038552-006	6
035278-021	4	038552-008	6
035278-022	4	038552-009	6
035278-023	4	038552-010	6
035278-024	4	038552-012	6
035278-025	4	038552-013	6



038552-015	6	042253-000	9
038552-016	6	044178-000	6
038552-017	6	051818-000	9
038552-018	6	066203-000	2
038552-021	6	066225-402	2
038552-022	6	A20012649	8
038552-023	6	A20014089	8
038552-024	6	A2002654	10
038552-025	6	A2004428	2
038552-051	6	A2004439	2
038552-052	6	A2007943	4
038552-054	6	G4000936	12
039090-2393	3	G40015469	3
039215-000	3	G9102745	4
039284-000	4	PA010093	3
039285-002	4	PA020037	8
039285-003	4	PA020045	3
039285-004	4	PA020058	3
039285-005	4	PB040170	2
039285-006	4	PB040171	2
039285-008	4	PB040190	2
039285-009	4	PB070208	2
039285-010	4	PC030007	6
039285-012	4	PD010003	4
039285-013	4	PD020004	4, 8
039285-015	4	PD020006	3, 11
039285-016	4	PD020014	4
039285-017	4	PD020043	8
039285-018	4	PD020046	3
039285-021	4	PD020048	2, 3
039285-022	4	PD020055	1
039285-023	4	PD020061	2
039285-024	4	PD020063	4
039285-025	4	PD020067	2, 8
039285-051	4	PD020261	3
039285-052	4	PD030010	4
039285-053	4	PD030044	2
039285-054	4	PD040004	3
041847-000	7	PD040005	6, 8
042251-000	9	PE050206	2
042252-000	9	PE050208	8



PE050250	8
PE060064	4
PE070036	12
PE070796	12
PJ030034	3
PJ030035	3
PJ030039	8
pd020232	2