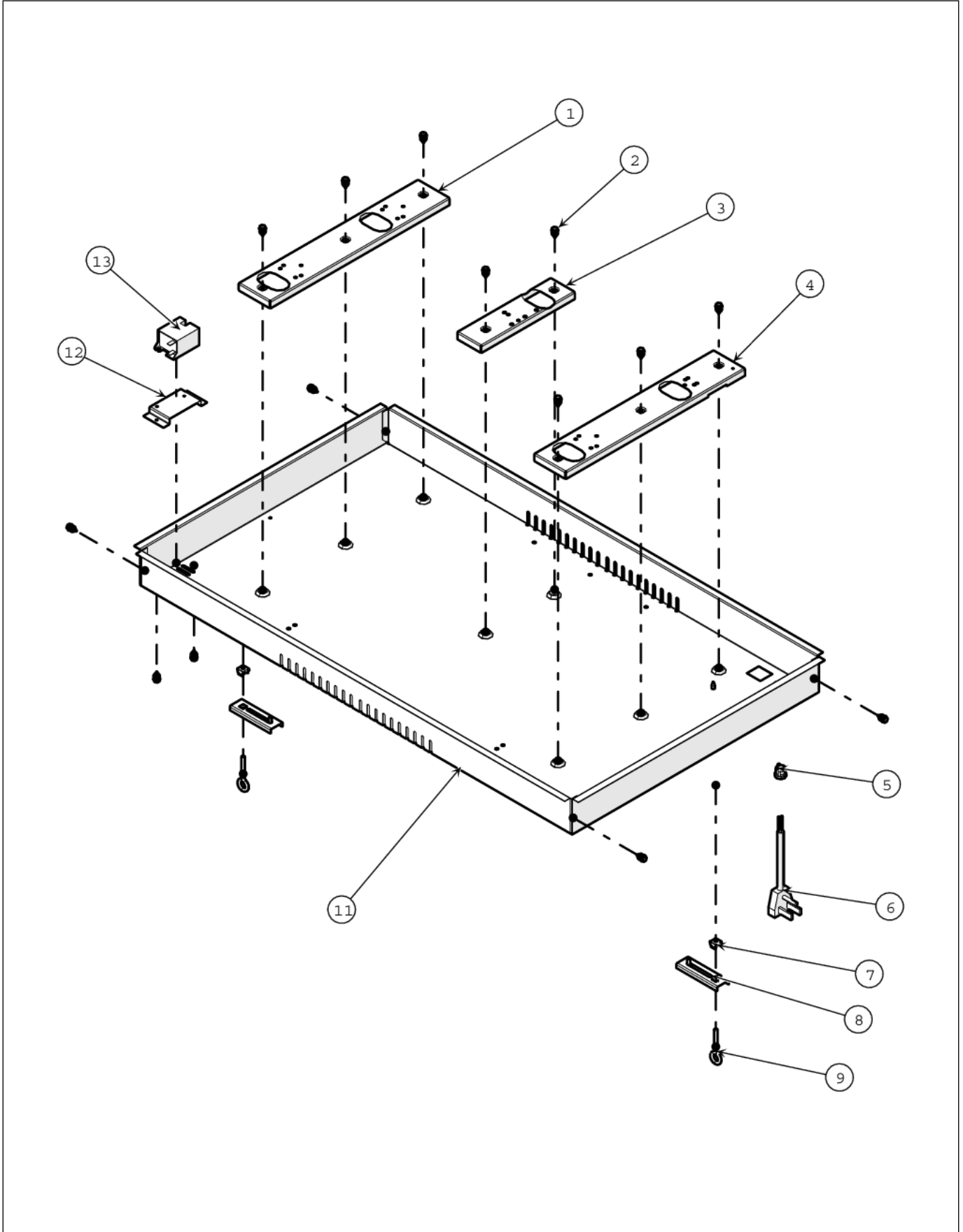


**RDGSU2605B**

BASE .....	1
INTERNAL .....	2
TOP .....	3
WIRING .....	4
Appendix A:Pages Index .....	A
Appendix B:Parts Index .....	B



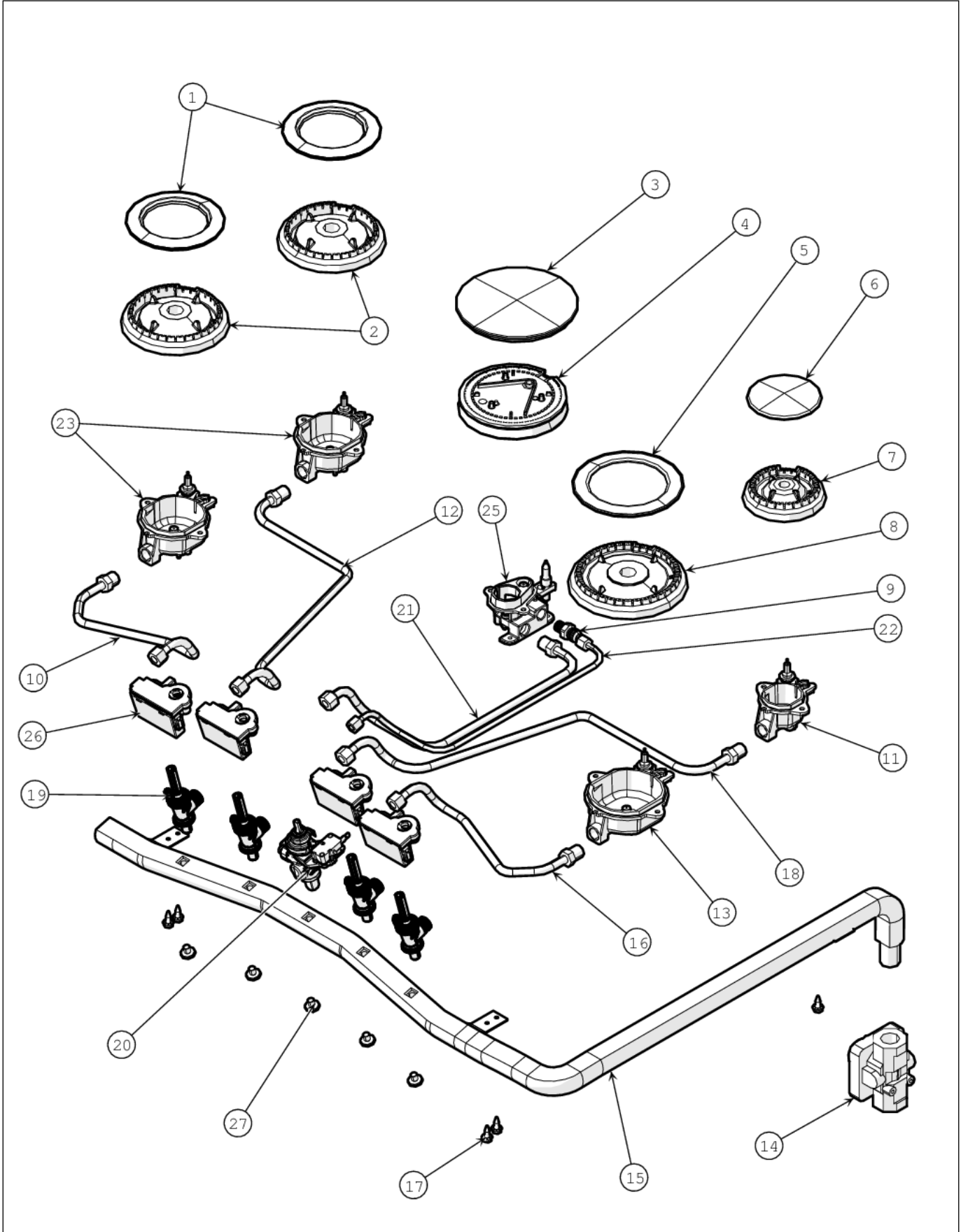
BASE





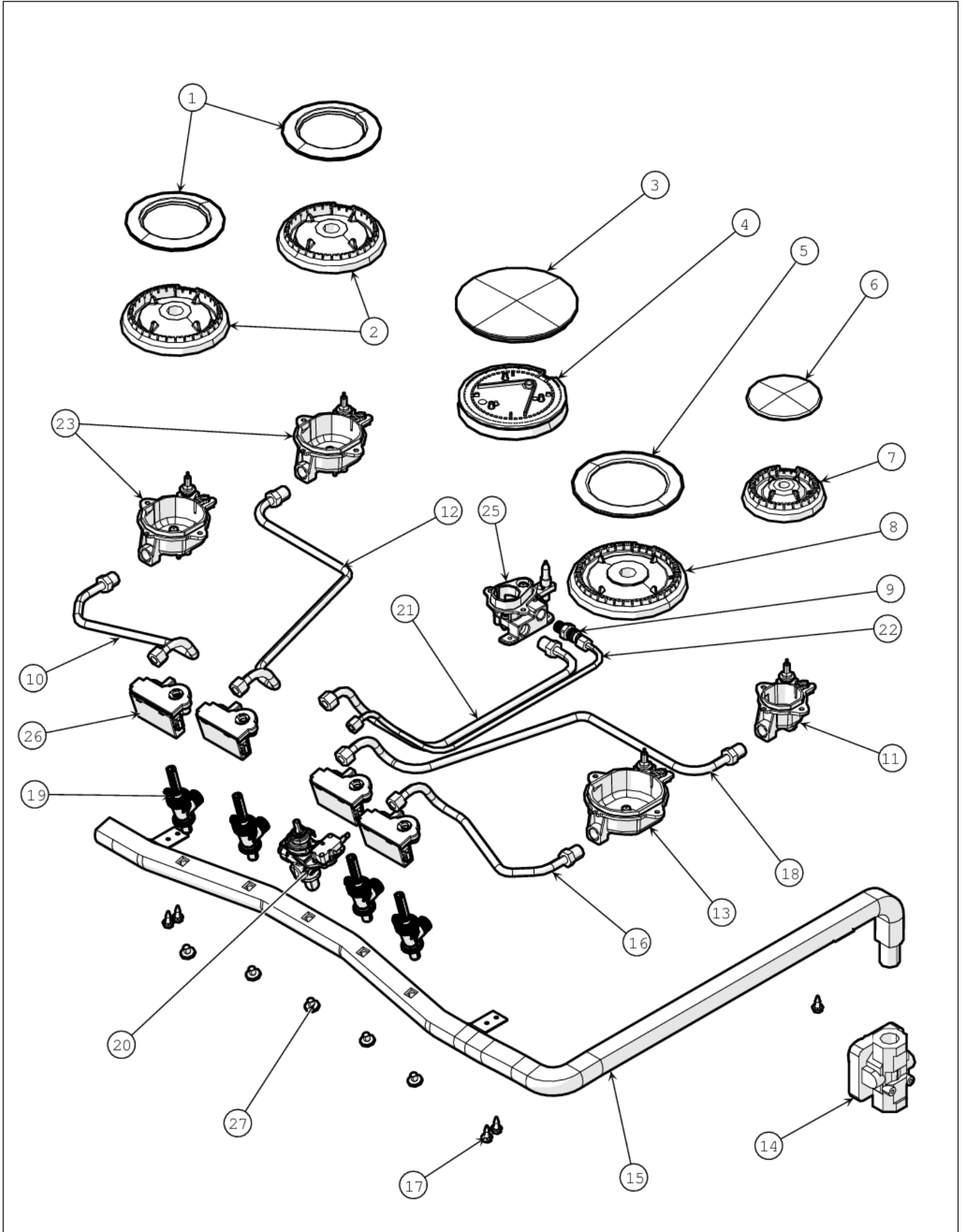
Item	Part No.	Name	Qty	Uom	NOTES
1	031580-000	LH BURNER SUPPORT DGSU, D3	1	EA	
2	003860-000	10-18 x .500 FASTNR,SCR,HXWH,STL,ZPLT	14	EA	
3	031583-000	CENTER BURNER SUPPORT DGSU, D3	1	EA	
4	031579-000	RH BURNER SUPPORT DGSU, D3	1	EA	
5	PE070069	STRAIGHT-THRU BUSHING	1	EA	
6	G4007440	SUPPLY CORD ASSY	1	EA	
7	PD030029	SELF RETAINING NUT (1/4-20)	2	EA	
8	A2003053	Retainer Bracket	2	EA	
9	PD010027	EYE BOLT-VGSU101/161	2	EA	
11	031600-000	D3 36" COOKTOP BURNER BOX	1	EA	Not available online / Call for pricing and availability
12	031933-000	SNGL SPARK MODULE MOUNT	1	EA	
13	PA020037	SINGLE MODULE 120V	1	EA	
NI	031948-000	D3 VENT SHEILD	1	EA	

INTERNAL





Item	Part No.	Name	Qty	Uom	NOTES
1	031413-000	BNR CAP, RAPID, 12000 BTU	2	EA	
2	031417-000	BNR HEAD, RAPID, 12000 BTU	2	EA	
3	031415-000	BURNER CAP, STACKED	1	EA	
4	031419-000	BURNER HEAD, STACKED	1	EA	
5	031412-000	BNR CAP, ULTRARAPID, 18000 BTU	1	EA	
6	031414-000	BNR CAP, SEMIRAPID, 80000 BTU	1	EA	
7	031418-000	BNR HEAD, SEMIRIPID, 8000 BTU	1	EA	
8	031416-000	BNR HEAD, ULTRARAPID, 18000 BTU	1	EA	
9	033202-000	STACK BURNER LOW ORIFICE ADAPTER	1	EA	
10	031628-000	36" COOKTOP LF BURNER TUBE	1	EA	
11	030974-000	BNR BASE, SEMIRAPID, 8000 BTU	1	EA	
12	031630-000	36" COOKTOP LR BURNER TUBE	1	EA	
13	031022-000	BNR BASE, ULTRARAPID, 18000 BTU	1	EA	
NI	036100-000	FASTENER, SCR, M4	10	EA	
14	023883-000	REGULATOR, PRSS, NAT, 5", DESIGNER	1	EA	
15	031576-000	D3 GAS COOKTOP MANIFOLD	1	EA	
16	031629-000	36" COOKTOP RF BURNER TUBE	1	EA	
17	003860-000	10-18 x .500 FASTNR, SCR, HXWH, STL, ZPLT	5	EA	
18	031631-000	36" COOKTOP RR BURNER TUBE	1	EA	
19	032331-000	SINGLE GAS VALVE	4	EA	
20	032349-000	DUAL GAS VALVE	1	EA	
21	032521-000	CENTER HIGH BURNER TUBE	1	EA	
22	032541-000	CENTER LOW BURNER TUBE	1	EA	
23	030973-000	BNR BASE, RAPID, 12000 BTU	2	EA	
25	036410-000	17K STACK JETHOLDER W/0.53MM - 1.88MM INJECTORS	1	EA	

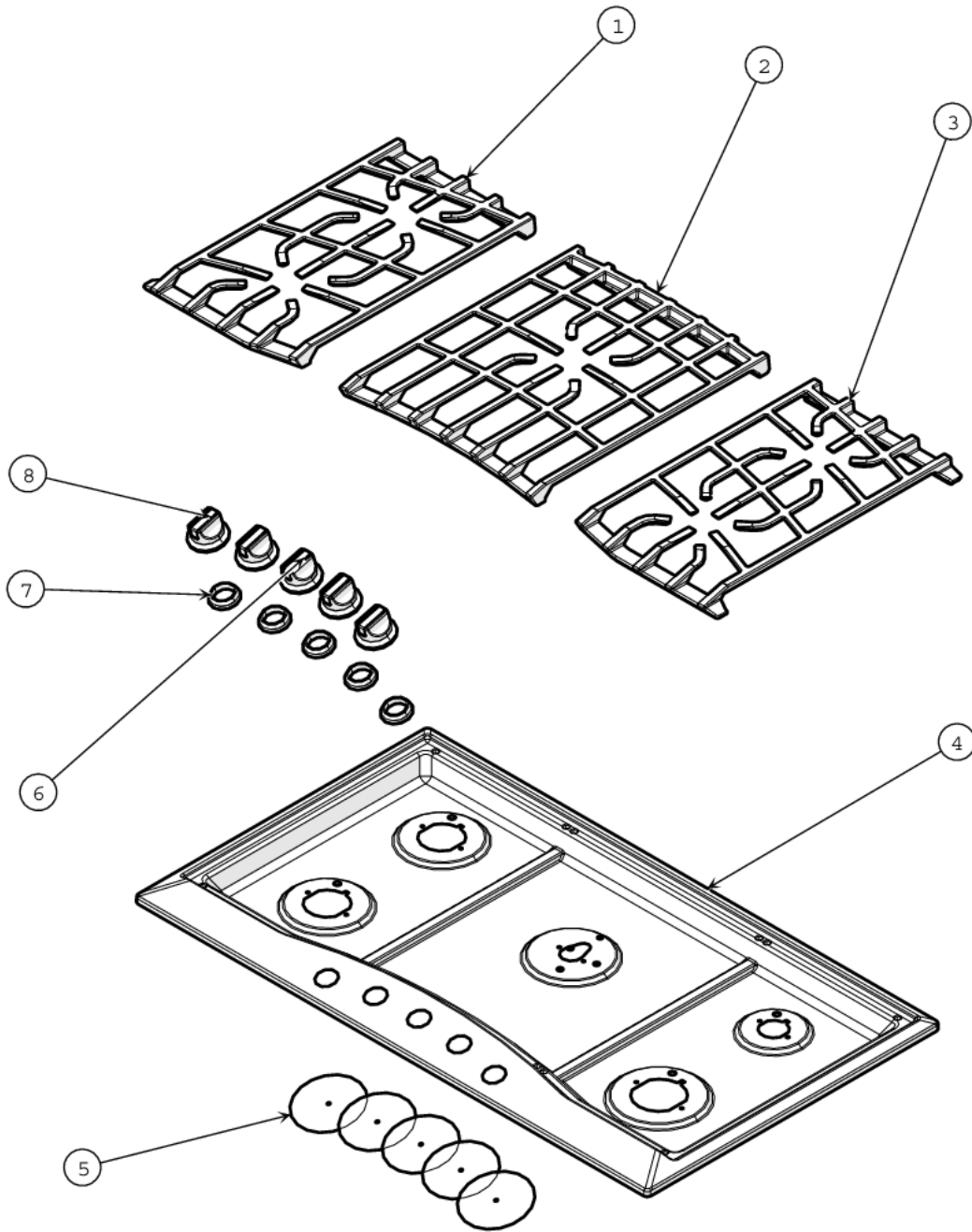






Item	Part No.	Name	Qty	Uom	NOTES
26	015112-000	MODULE, SPK IRIS COOKTOP	4	EA	
27	PD010012	VALVE BOLT 1/4-20 UNC-2B 5/16" M.S.	5	EA	
NI	036100-000	FASTENER, SCR, M4	12	EA	
NI	036410-000	17K STACK JETHOLDER W/0.53MM - 1.88MM INJECTORS	1	EA	

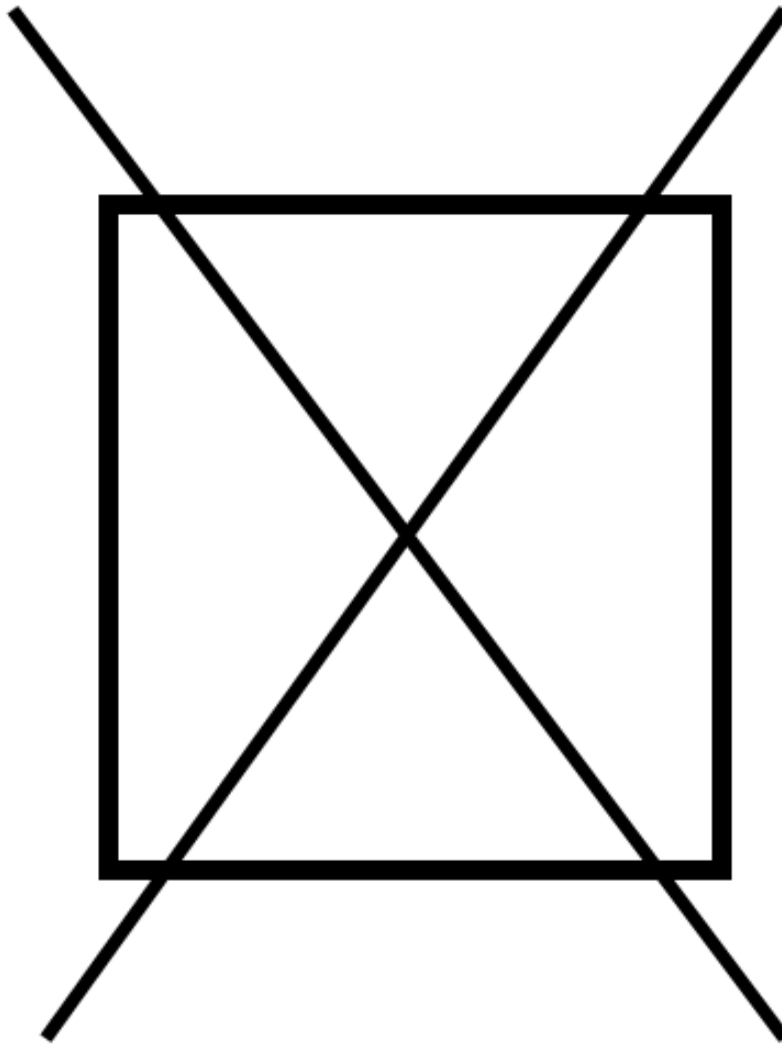
TOP





Item	Part No.	Name	Qty	Uom	NOTES
1	052997-000	LH GRATE 36" COOKTOP ASM	1	EA	
2	031876-000	36" CENTER GRATE ASM	1	EA	
3	031878-000	36" RH GRATE ASM	1	EA	
4	031290-2365	36" D3 SEALED COOKTOP W/GRAPHICS	1	EA	
6	032341-000	DUAL KNOB, ASM, COOKTOP, BLADE, D3	1	EA	
7	PB070320	SILICONE EXTRUSION	5	EA	
8	032332-000	SNGL KNOB, ASM, COOKTOP, BLADE, D3	4	EA	

NON  
ILLUSTRATED PART





Item	Part No.	Name	Qty	Uom	NOTES
NI	G4007440	SUPPLY CORD ASSY	1	EA	
NI	006766-000	IRIS IGNITOR WIRE, BACK BURNER	2	EA	
NI	000647-000	IRIS IGNITOR WIRE, FRONT BURNER	2	EA	
NI	040138-000	HARNESS, IRIS, 36"	1	EA	
NI	034731-000	HARNESS, WIRE, STACK BURNER	1	EA	



Appendix A:Pages Index

BASE .....	1
INTERNAL .....	2
TOP .....	3
WIRING .....	4



Appendix B:Parts Index

000647-000	4	040138-000	4
003860-000	1, 2	052997-000	3
006766-000	4	A2003053	1
015112-000	2	G4007440	1, 4
023883-000	2	PA020037	1
030973-000	2	PB070320	3
030974-000	2	PD010012	2
031022-000	2	PD010027	1
031290-2365	3	PD030029	1
031412-000	2	PE070069	1
031413-000	2		
031414-000	2		
031415-000	2		
031416-000	2		
031417-000	2		
031418-000	2		
031419-000	2		
031576-000	2		
031579-000	1		
031580-000	1		
031583-000	1		
031600-000	1		
031628-000	2		
031629-000	2		
031630-000	2		
031631-000	2		
031876-000	3		
031878-000	3		
031933-000	1		
031948-000	1		
032331-000	2		
032332-000	3		
032341-000	3		
032349-000	2		
032521-000	2		
032541-000	2		
033202-000	2		
034731-000	4		
036100-000	2, 2		
036410-000	2, 2		