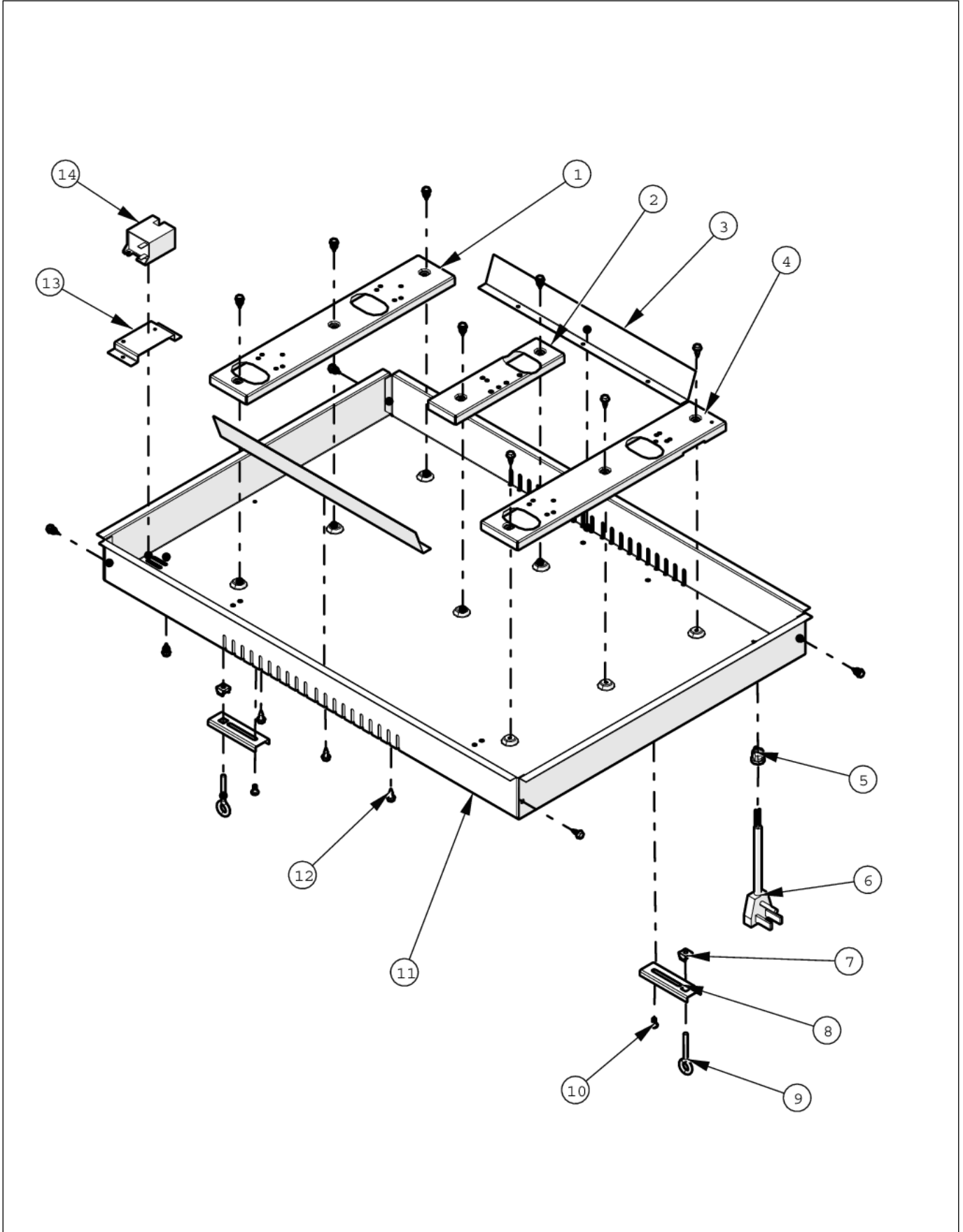


RDGSU2005B

BASE	1
INTERNAL	2
TOP	3
WIRING	4
Appendix A:Pages Index	A
Appendix B:Parts Index	B

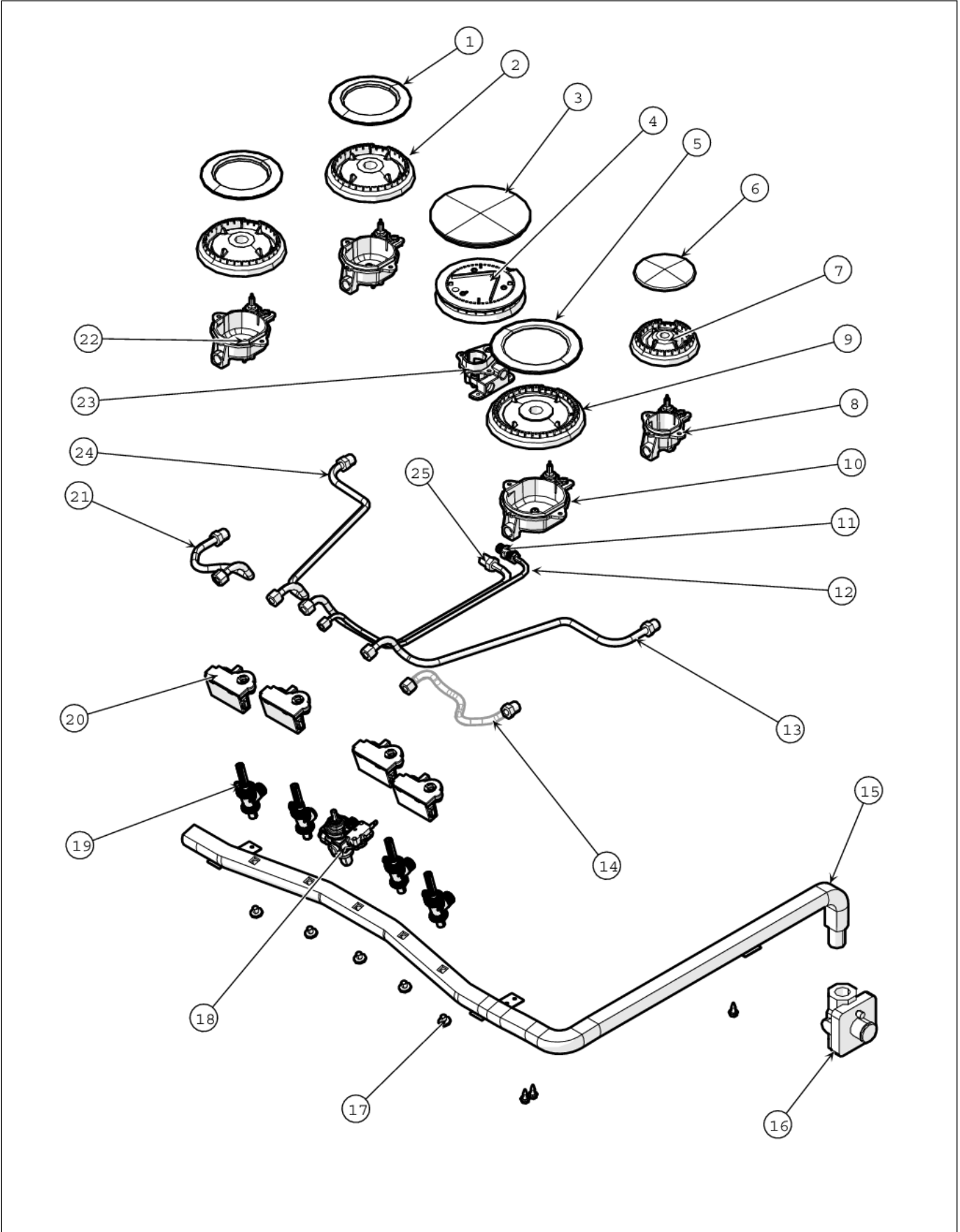
BASE





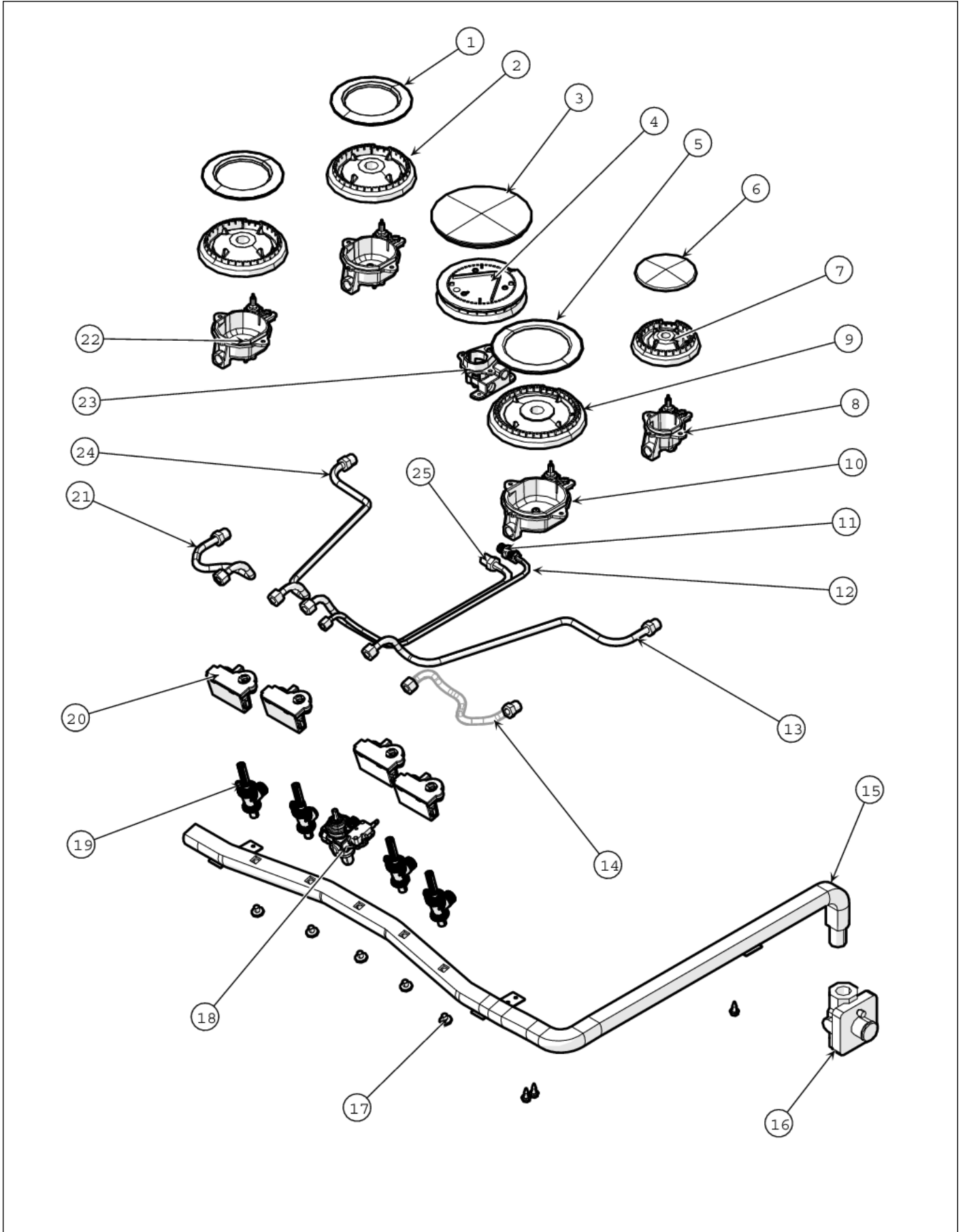
Item	Part No.	Name	Qty	Uom	NOTES
1	031580-000	LH BURNER SUPPORT DGSU, D3	1	EA	
2	031583-000	CENTER BURNER SUPPORT DGSU, D3	1	EA	
3	031948-000	D3 VENT SHEILD	2	EA	
4	031579-000	RH BURNER SUPPORT DGSU, D3	1	EA	
5	PE070069	STRAIGHT-THRU BUSHING	1	EA	
6	G4007440	SUPPLY CORD ASSY	1	EA	
7	PD030029	SELF RETAINING NUT (1/4-20)	2	EA	
8	A2003053	Retainer Bracket	2	EA	
9	PD010027	EYE BOLT-VGSU101/161	2	EA	
10	PD020004	10X3/8PH.HD.TYPE 25 REPL PD040125	2	EA	
11	031402-000	D3 30" COOKTOP BURNER BOX	1	EA	
12	003860-000	10-18 x .500 FASTNR,SCR,HXWH,STL,ZPLT	20	EA	
13	031933-000	SNGL SPARK MODULE MOUNT	1	EA	
14	PA020037	SINGLE MODULE 120V	1	EA	

INTERNAL





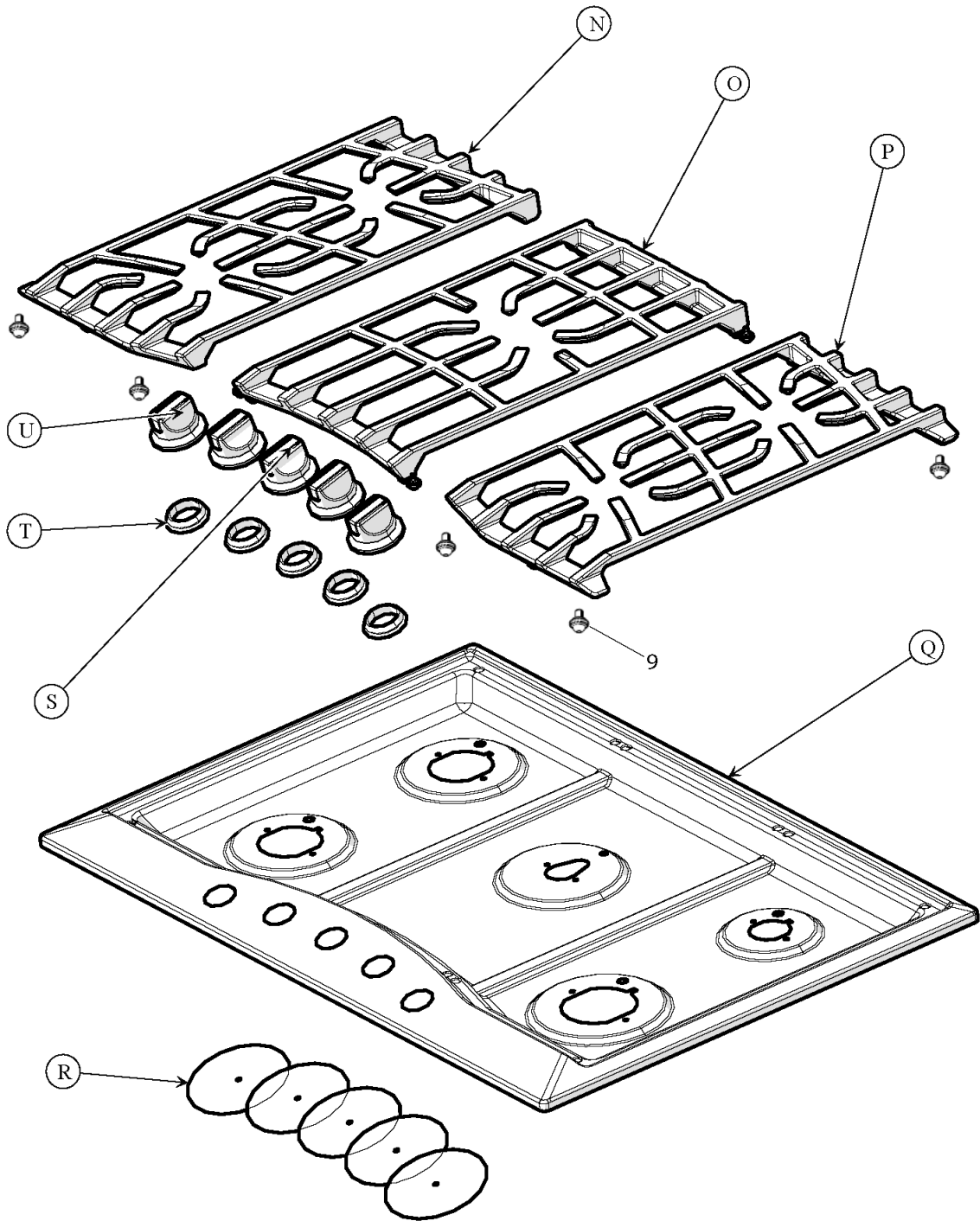
Item	Part No.	Name	Qty	Uom	NOTES
1	031413-000	BNR CAP, RAPID, 12000 BTU	2	EA	
2	031417-000	BNR HEAD, RAPID, 12000 BTU	2	EA	
3	031415-000	BURNER CAP, STACKED	1	EA	
4	031419-000	BURNER HEAD, STACKED	1	EA	
5	031412-000	BNR CAP, ULTRARAPID, 18000 BTU	1	EA	
6	031414-000	BNR CAP, SIMIRAPID, 80000 BTU	1	EA	
7	031418-000	BNR HEAD, SEMIRIPID, 8000 BTU	1	EA	
8	030974-000	BNR BASE, SEMIRAPID, 8000 BTU	1	EA	
9	031416-000	BNR HEAD, ULTRARAPID, 18000 BTU	1	EA	
10	031022-000	BNR BASE, ULTRARAPID, 18000 BTU	1	EA	
NI	036100-000	FASTENER, SCR, M4	10	EA	
11	033202-000	STACK BURNER LOW ORIFICE ADAPTER	1	EA	
12	032541-000	CENTER LOW BURNER TUBE	1	EA	
13	031626-000	30" COOKTOP RR BURNER TUBE	1	EA	
14	031616-000	30" COOKTOP RF BURNER TUBE	1	EA	
15	031576-000	D3 GAS COOKTOP MANIFOLD	1	EA	
16	023883-000	REGULATOR, PRSS, NAT, 5", DESIGNER	1	EA	
17	PS010012	VALVE BOLT 1/4-20 UNC-2B 5/16" M.S.	5	EA	Not available online / Call for pricing and availability
18	032349-000	DUAL GAS VALVE	1	EA	
19	032331-000	SINGLE GAS VALVE	4	EA	
20	015112-000	MODULE, SPK IRIS COOKTOP	4	EA	
21	031615-000	30" COOKTOP LF BURNER TUBE	1	EA	
22	030973-000	BNR BASE, RAPID, 12000 BTU	2	EA	
23	030978-000	BASE, STACKED BURNER	1	EA	
24	031618-000	30" COOKTOP LR BURNER TUBE	1	EA	





Item	Part No.	Name	Qty	Uom	NOTES
25	032521-000	CENTER HIGH BURNER TUBE	1	EA	
26	003860-000	10-18 x .500 FASTNR,SCR,HXWH,STL,ZPLT	5	EA	
NI	036100-000	FASTENER, SCR, M4	12	EA	
NI	036410-000	17K STACK JETHOLDER W/O.53MM - 1.88MM INJECTORS	1	EA	

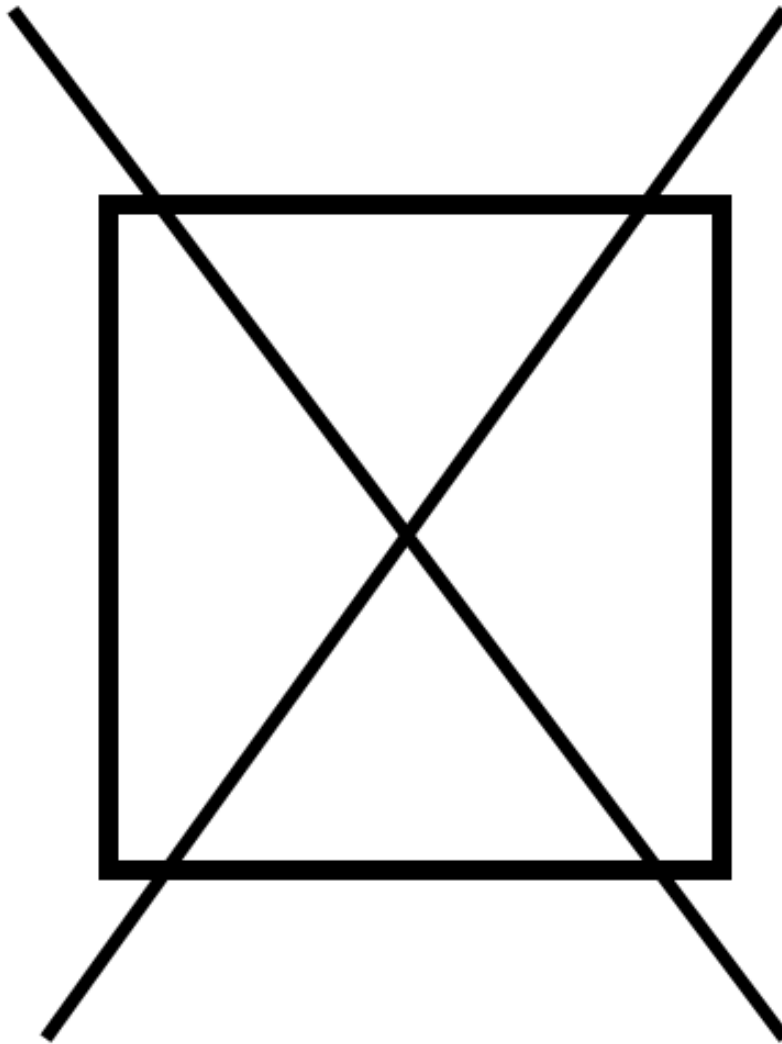
TOP





Item	Part No.	Name	Qty	Uom	NOTES
1	052991-000	LH GRATE 30" COOKTOP ASSY	1	EA	
2	052993-000	CENTER GRATE 30" COOKTOP ASSY	1	EA	
3	052995-000	RH GRATE 30" COOKTOP ASSY	1	EA	
4	031271-2365	30" D3 SEALED COOKTOP W/GRAPHICS	1	EA	
5	019955-000	SHIELD, WTR	1	EA	
6	032341-000	DUAL KNOB, ASM, COOKTOP, BLADE, D3	1	EA	
7	PB070320	SILICONE EXTRUSION	5	EA	
8	032332-000	SNGL KNOB, ASM, COOKTOP, BLADE, D3	4	EA	
9	051547-000	GRATE FOOT	12	EA	

NON ILLUSTRATED PART





Item	Part No.	Name	Qty	Uom	NOTES
NI	G4007440	SUPPLY CORD ASSY	1	EA	
NI	006766-000	IRIS IGNITOR WIRE, BACK BURNER	2	EA	
NI	000647-000	IRIS IGNITOR WIRE, FRONT BURNER	2	EA	
NI	040138-000	HARNESS, IRIS, 36"	1	EA	
NI	034731-000	HARNESS, WIRE, STACK BURNER	1	EA	



Appendix A:Pages Index

BASE	1
INTERNAL	2
TOP	3
WIRING	4



Appendix B:Parts Index

000647-000	4	040138-000	4
003860-000	1, 2	051547-000	3
006766-000	4	052991-000	3
015112-000	2	052993-000	3
019955-000	3	052995-000	3
023883-000	2	A2003053	1
030973-000	2	G4007440	1, 4
030974-000	2	PA020037	1
030978-000	2	PB070320	3
031022-000	2	PD010027	1
031271-2365	3	PD020004	1
031402-000	1	PD030029	1
031412-000	2	PE070069	1
031413-000	2	PS010012	2
031414-000	2		
031415-000	2		
031416-000	2		
031417-000	2		
031418-000	2		
031419-000	2		
031576-000	2		
031579-000	1		
031580-000	1		
031583-000	1		
031615-000	2		
031616-000	2		
031618-000	2		
031626-000	2		
031933-000	1		
031948-000	1		
032331-000	2		
032332-000	3		
032341-000	3		
032349-000	2		
032521-000	2		
032541-000	2		
033202-000	2		
034731-000	4		
036100-000	2, 2		
036410-000	2		