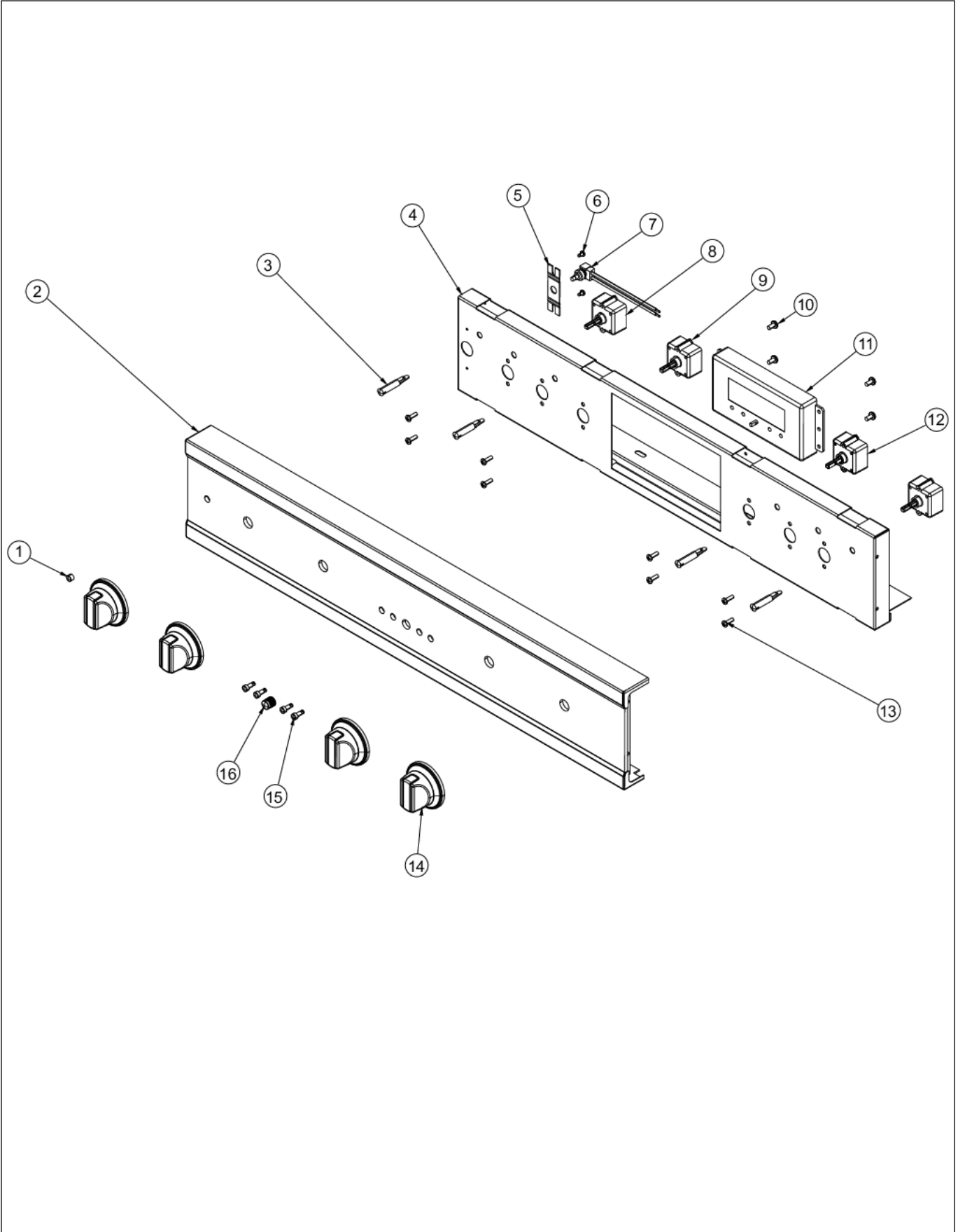


**RDDOE306**

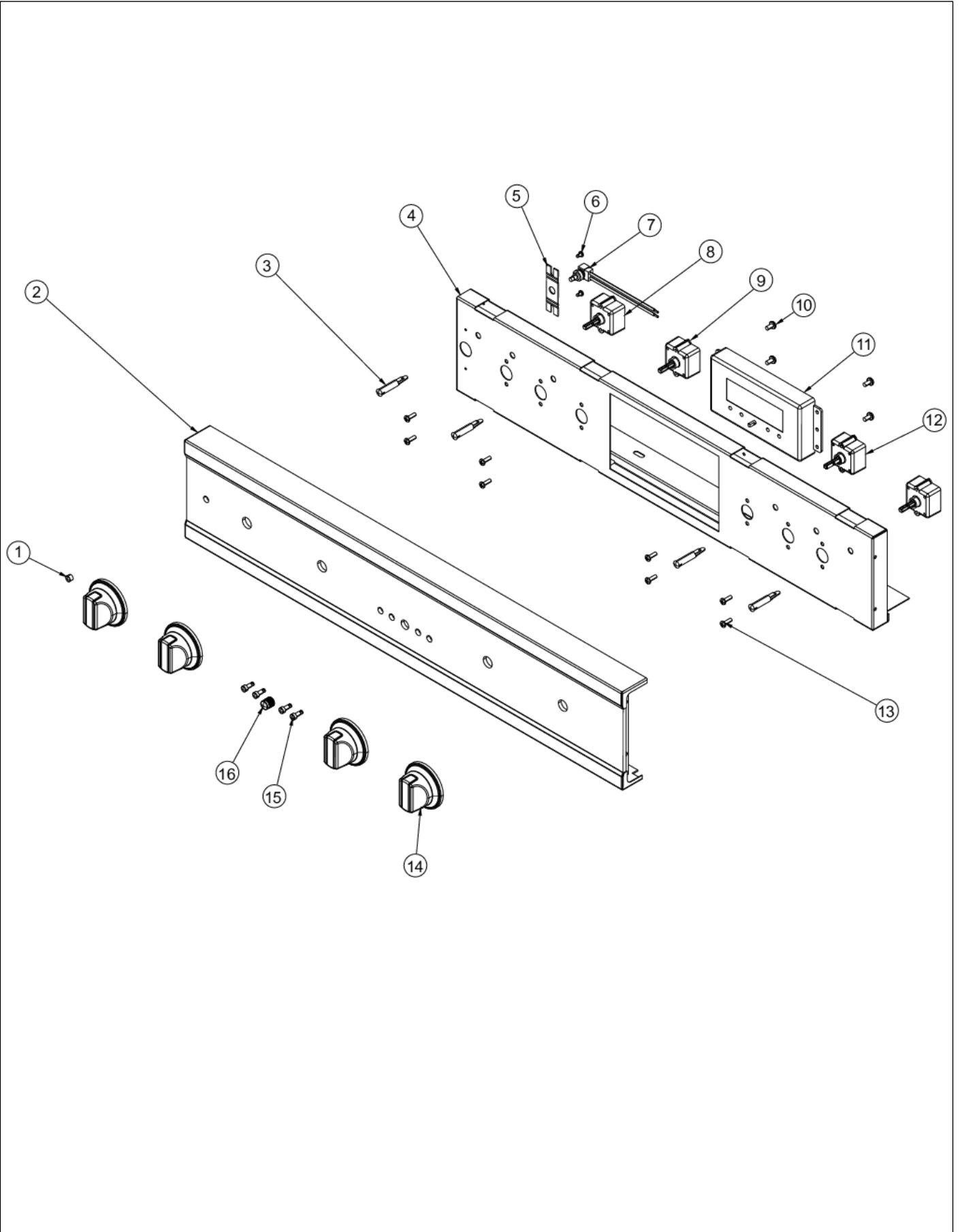
CONTROL PANEL .....	1
LOWER DOOR ASSEMBLY .....	2
LOWER EXTERIOR AREA .....	3
LOWER OVEN CAVITY .....	4
LOWER RACKS .....	5
MIDDLE EXTERIOR AREA .....	6
REAR UNIT AREA .....	7
UPPER DOOR ASSEMBLY .....	8
UPPER EXTERIOR AREA .....	9
UPPER OVEN CAVITY .....	10
UPPER RACKS .....	11
WIRING .....	12
Appendix A:Pages Index .....	A
Appendix B:Parts Index .....	B



CONTROL PANEL



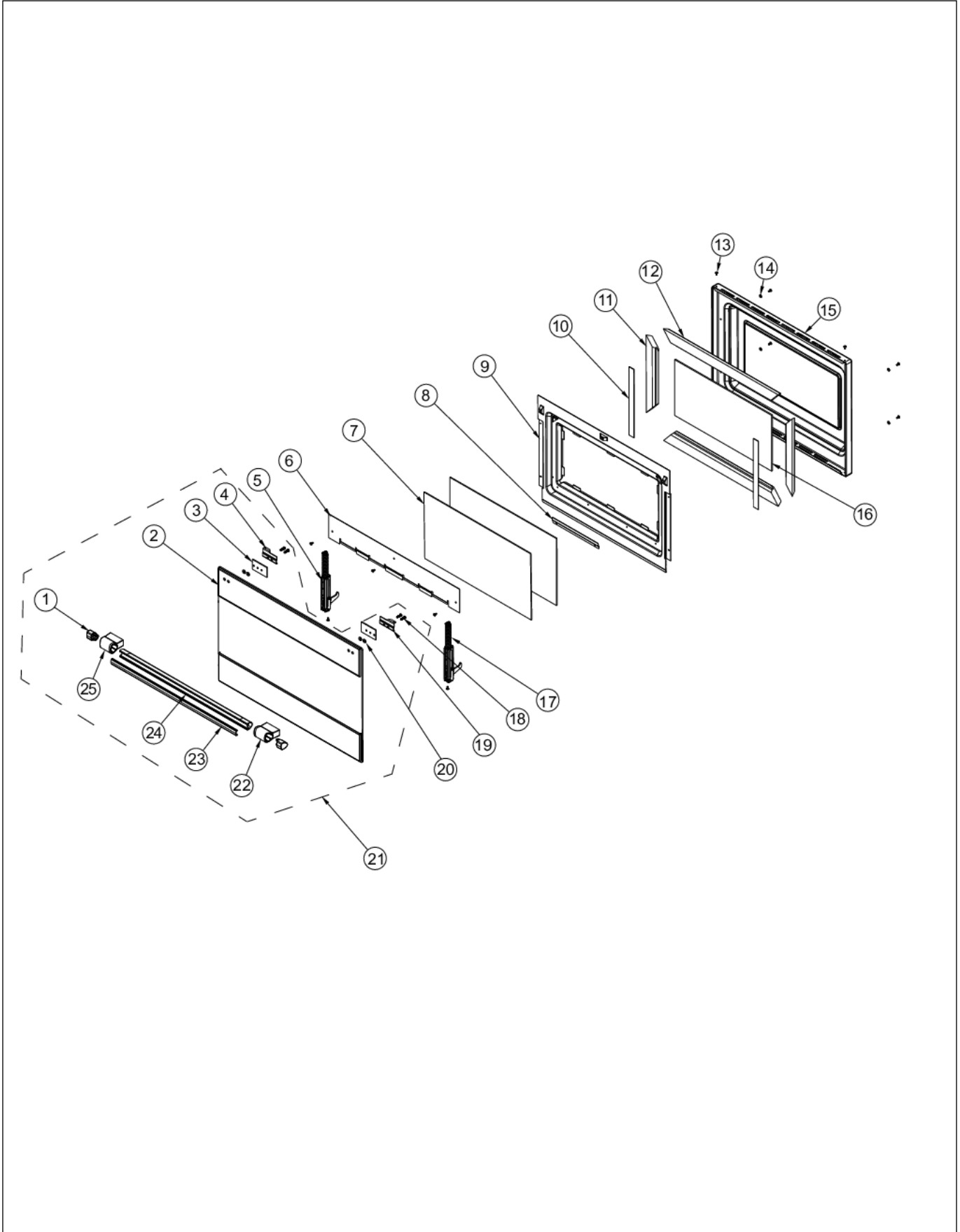
Item	Part No.	Name	Qty	Uom	NOTES
1	PA010093	DESIGNER OVEN LT SWITCH KNOB	1	EA	
2	0303331-2339	PANEL, CNTRL, ASM, RDDOE306, SS	1	EA	Not available online / Call for pricing and availability
2	030331-002	PANEL, CNTRL, ASM, RDDOE306, BK	1	EA	Not available online / Call for pricing and availability
2	030331-005	PANEL, CNTRL, ASM, RDDOE306, GG	1	EA	Not available online / Call for pricing and availability
2	030331-006	PANEL, CNTRL, ASM, RDDOE306, WH	1	EA	Not available online / Call for pricing and availability
2	030331-008	PANEL, CNTRL, ASM, RDDOE306, BU	1	EA	Not available online / Call for pricing and availability
2	030331-024	PANEL, CNTRL, ASM, RDDOE306, AR	1	EA	Not available online / Call for pricing and availability
2	030331-013	PANEL, CNTRL, ASM, RDDOE306, CB	1	EA	Not available online / Call for pricing and availability
3	015043-000	INDICATOR, LIGHT, BLUE LED	4	EA	
4	019340-000	CONTROL MOUNT	1	EA	
5	A10014045	LIGHT SWITCH BRACKET	1	EA	
6	PD020006	' #6-32 X 1/4" PH.PAN HD. T(F)	2	EA	
7	G40015469	LIGHT SWITCH ASSEMBLY	1	EA	
8	PJ030033	SELECTOR (10 POS)	1	EA	
9	PJ030035	THERMOSTAT	2	EA	





Item	Part No.	Name	Qty	Uom	NOTES
<p>Comments for Part Num. PJ030035</p> <p>parts@lvdistributes.com on Feb 7, 2018  this is not the correct part for this range it should be a 003225-000  Reply by JREXEC02@AOL.COM on Feb 27, 2018  003225-000 is an Induction Control.</p> <p>PJ030035 is the red colored thermostat for the Gas Range  *****</p>					
10	PD020004	10X3/8PH.HD.TYPE 25 REPL PD040125	4	EA	
11	039199-000	D3 PREMIERE CLOCK KIT	1	EA	Before 9-7-2012
<p>Comments for Part Num. 039199-000</p> <p>gboltz@VikingRange.com on Jun 21, 2016  BEFORE 9/7/2012</p>					
11	037823-000	D3 PREMIERE CLOCK KIT	1	EA	On or after 9-7-2012
<p>Comments for Part Num. 037823-000</p> <p>gboltz@VikingRange.com on Jun 21, 2016  ON OR AFTER 9/7/2012</p>					
12	PJ030034	SELECTOR, 6 POS	1	EA	
13	PD020261	' #8-32X1/2" PH PANHEAD MACH. SCREW	8	EA	
14	031594-000	KNOB, ASSEMBLY, WALL OVEN, BLADE, D3	4	EA	
15	PB010315	DES. CLOCK BUTTON	4	EA	
16	PB010222	DESIGNER BIT GENERATOR KNOB	1	EA	

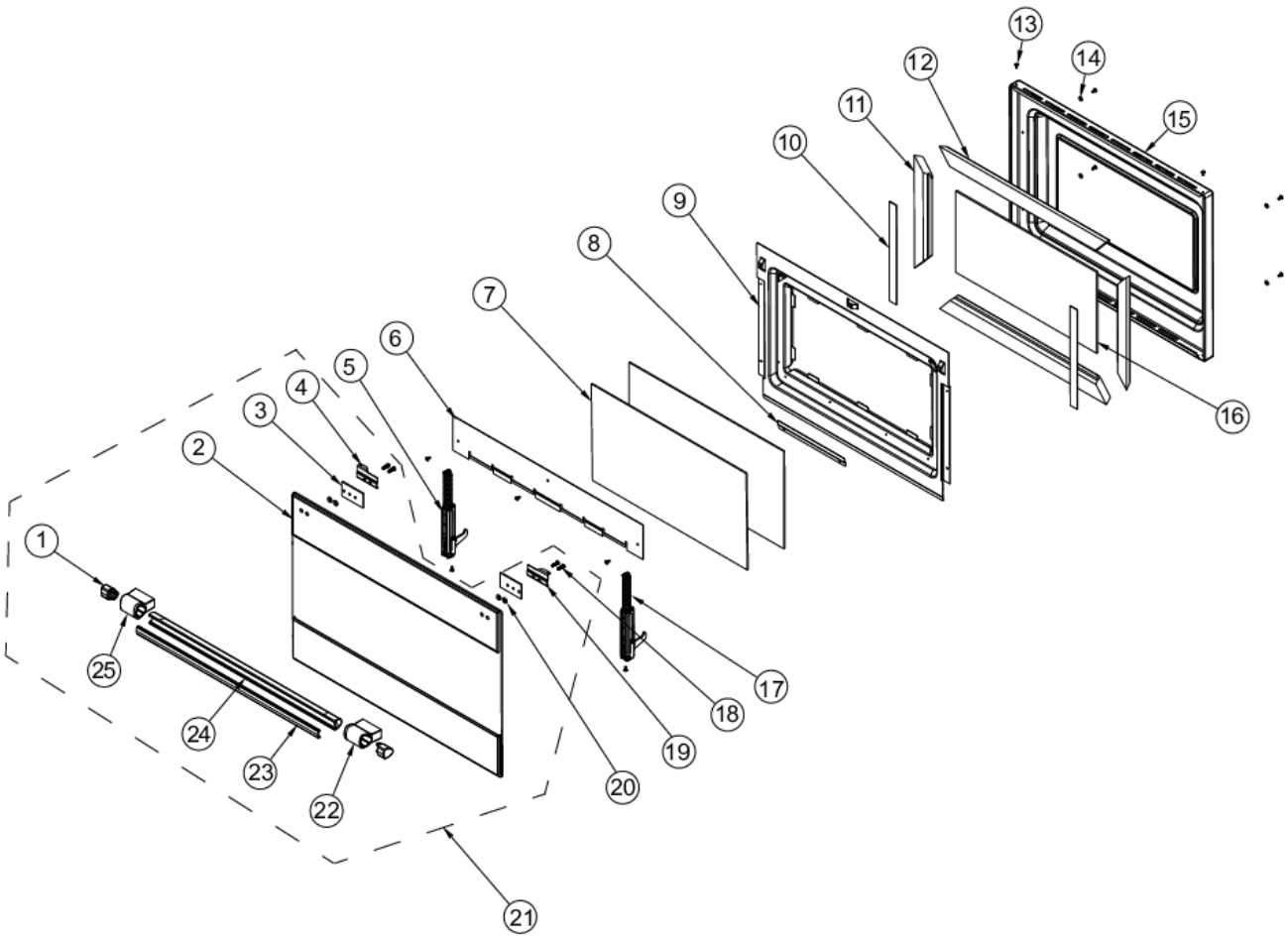
LOWER DOOR ASSEMBLY



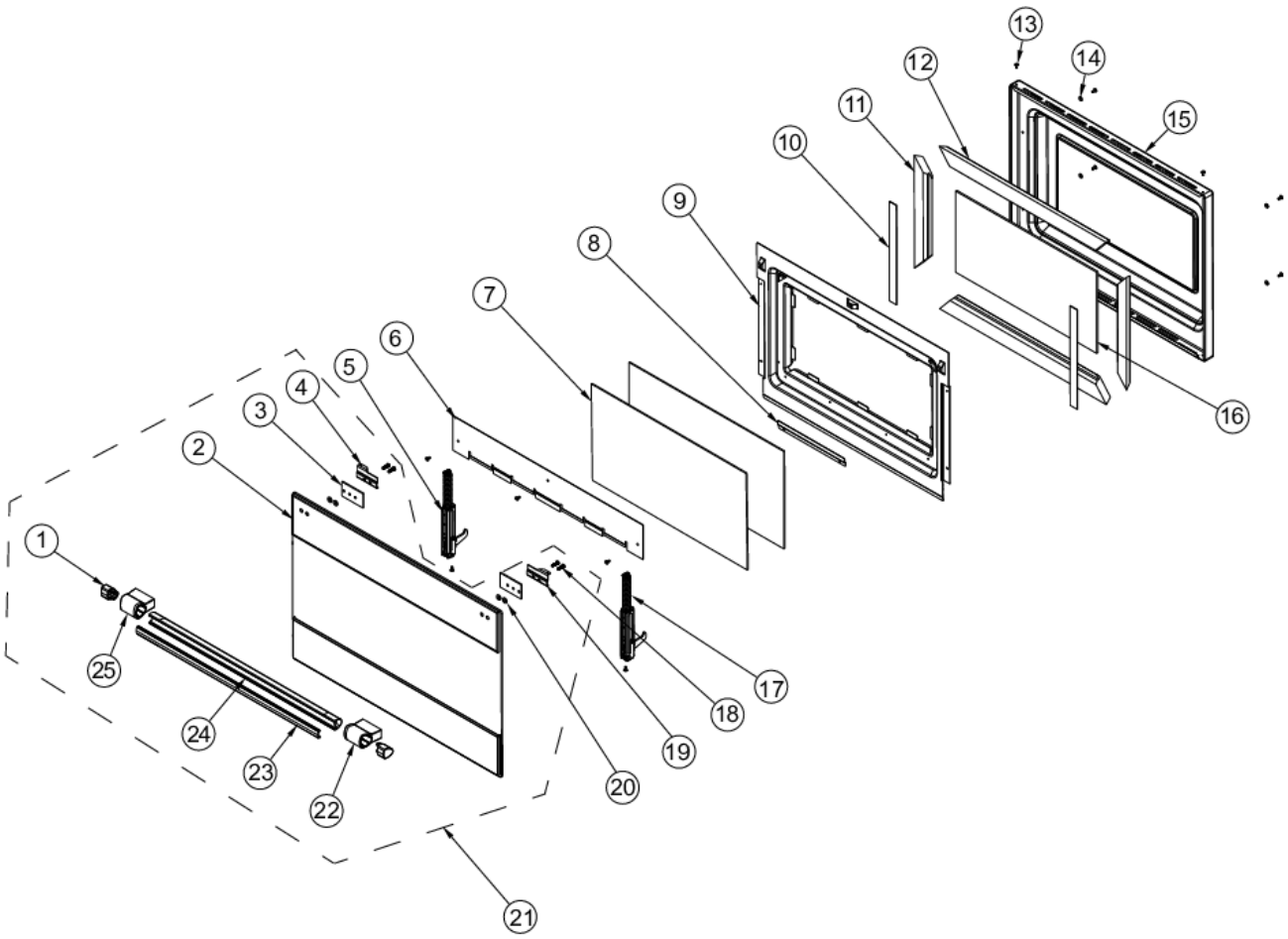




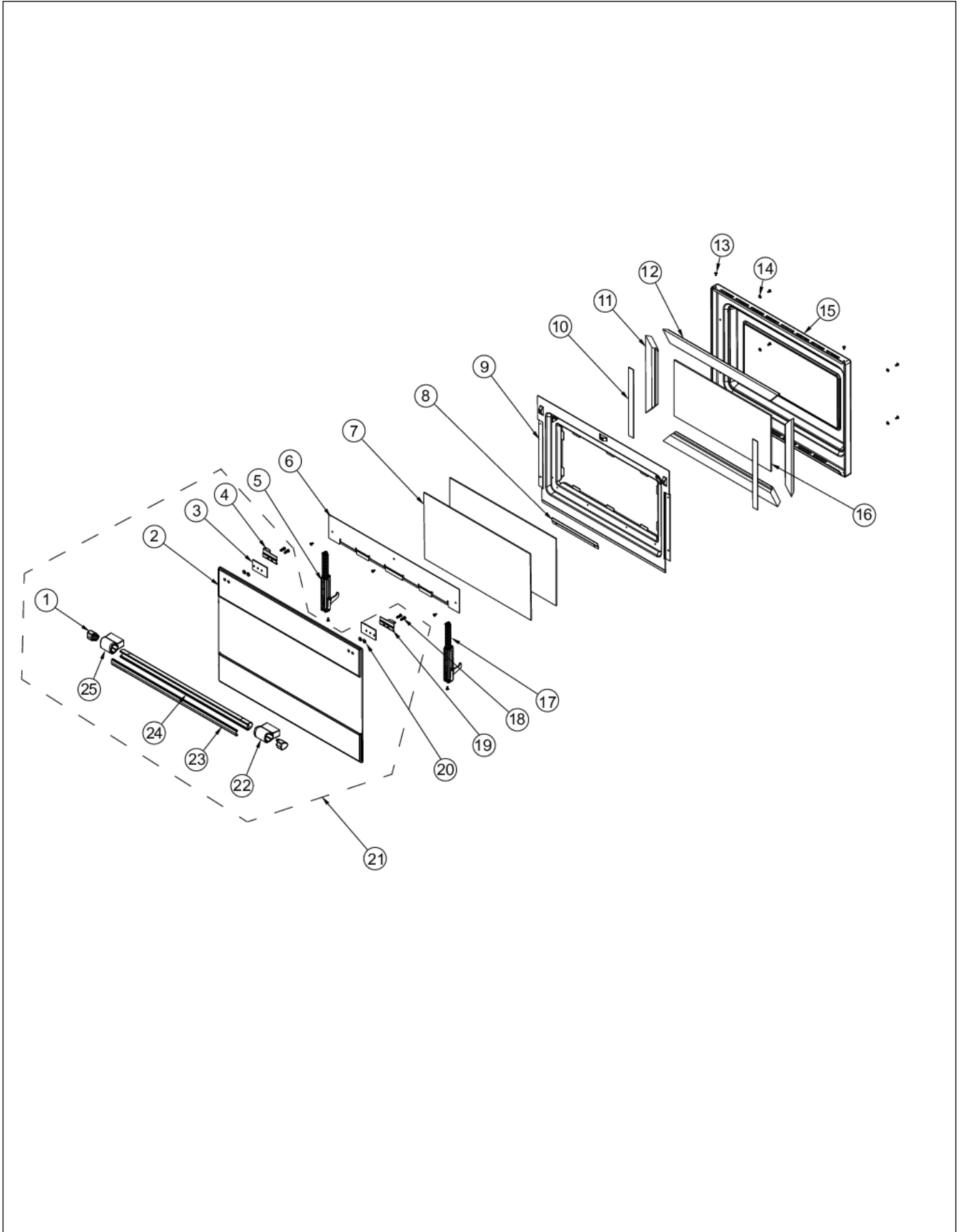
Item	Part No.	Name	Qty	Uom	NOTES
1	028002-000	CAP, HANDLE, D3	2	EA	
2	039268-000	SKIN ASM, DOOR, W/O LOGO, SS	1	EA	
2	039269-002	SKIN ASM, DOOR, W/O LOGO, BK	1	EA	
2	039269-003	SKIN ASM, DOOR, W/O LOGO, BT	1	EA	
2	039269-004	SKIN ASM, DOOR, W/O LOGO, SG	1	EA	
2	039269-005	SKIN ASM, DOOR, W/O LOGO, GG	1	EA	
2	039269-006	SKIN ASM, DOOR, W/O LOGO, WH	1	EA	
2	039269-008	SKIN ASM, DOOR, W/O LOGO, BU	1	EA	
2	039269-009	SKIN ASM, DOOR, W/O LOGO, LE	1	EA	
2	039269-010	SKIN ASM, DOOR, W/O LOGO, MJ	1	EA	
2	039269-012	SKIN ASM, DOOR, W/O LOGO, VB	1	EA	
2	039269-013	SKIN ASM, DOOR, W/O LOGO, CB	1	EA	
2	039269-015	SKIN ASM, DOOR, W/O LOGO, PL	1	EA	
2	039269-016	SKIN ASM, DOOR, W/O LOGO, CH	1	EA	
2	039269-017	SKIN ASM, DOOR, W/O LOGO, TP	1	EA	
2	039269-018	SKIN ASM, DOOR, W/O LOGO, CW NLA	1	EA	
2	039269-021	SKIN ASM, DOOR, W/O LOGO, SA	1	EA	
2	039269-022	SKIN ASM, DOOR, W/O LOGO, SE	1	EA	
2	039269-023	SKIN ASM, DOOR, W/O LOGO, IB	1	EA	
2	039269-024	SKIN ASM, DOOR, W/O LOGO, AR	1	EA	
2	039269-025	SKIN ASM, DOOR, W/O LOGO, RR	1	EA	
2	039269-051	SKIN ASM, DOOR, W/O LOGO, CN	1	EA	



Item	Part No.	Name	Qty	Uom	NOTES
2	039269-052	SKIN ASM, DOOR, W/O LOGO, DJ	1	EA	
2	039269-053	SKIN ASM, DOOR, W/O LOGO, KB	1	EA	
2	039269-054	SKIN ASM, DOOR, W/O LOGO, WS	1	EA	
3	008971-000	SPACER, DOOR, HANDLE	2	EA	
4	008973-000	CLIP, GL, DOOR, LH	1	EA	
5	008958-000	HINGE LH	1	EA	
6	008959-000	RETAINER, GL, TOP	1	EA	
7	008952-000	INNER DOOR GLASS	2	EA	
8	042622-000	RETAINER, GL, BOT	1	EA	Not available online / Call for pricing and availability
9	030622-000	DOOR INSUL, RETAINER	1	EA	
10	020510-000	TAPE, VINYL, SINGLE COATED	2	EA	
11	008960-000	DOOR INSULATION VERTICAL	2	EA	
12	008962-000	DOOR INSULATION HORIZONTAL	2	EA	
13	008863-000	SCREW #8 - 18 X 3/8, PHIL, LOW PROFILE TRUSS	14	EA	
14	021181-000	WASHER, FIBER	4	EA	
15	030620-402	DOOR PLUG W/BK PORC	1	EA	
16	008949-000	INNER DOOR GLASS	1	EA	
17	008955-000	HINGE RH	1	EA	
18	008974-000	SCREW 10 - 32 X 3/4 SLOT HEX WASHER W/ LOCTITE	4	EA	
19	008972-000	CLIP, GL, DOOR, RH	1	EA	
20	030636-000	OUTER DOOR PANEL ASM, W/O LOGO, SS	1	EA	
20	035273-002	OUTER DOOR PANEL ASM, W/O LOGO, BK	1	EA	
20	035273-003	OUTER DOOR PANEL ASM, W/O LOGO, BT	1	EA	
20	035273-004	OUTER DOOR PANEL ASM, W/O LOGO, SG	1	EA	
20	035273-005	OUTER DOOR PANEL ASM, W/O LOGO, GG	1	EA	



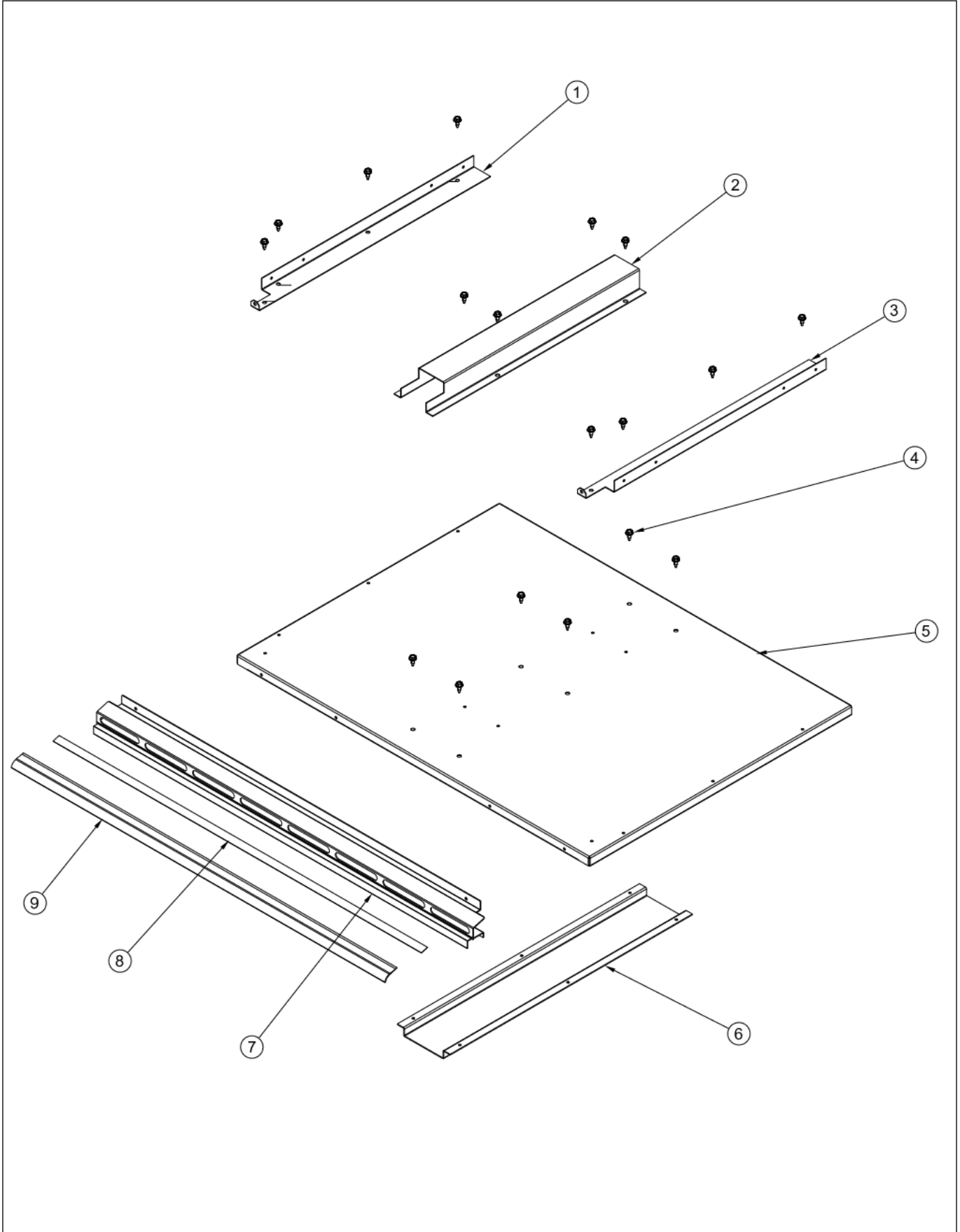
Item	Part No.	Name	Qty	Uom	NOTES
20	035273-006	OUTER DOOR PANEL ASM, W/O LOGO, WH	1	EA	
20	035273-008	OUTER DOOR PANEL ASM, W/O LOGO, BU	1	EA	
20	035273-009	OUTER DOOR PANEL ASM, W/O LOGO, LE	1	EA	
20	035273-010	OUTER DOOR PANEL ASM, W/O LOGO, MJ	1	EA	
20	035273-012	OUTER DOOR PANEL ASM, W/O LOGO, VB	1	EA	
20	035273-013	OUTER DOOR PANEL ASM, W/O LOGO, CB	1	EA	
20	035273-015	OUTER DOOR PANEL ASM, W/O LOGO, PL	1	EA	
20	035273-016	OUTER DOOR PANEL ASM, W/O LOGO, CH	1	EA	
20	035273-017	OUTER DOOR PANEL ASM, W/O LOGO, TP	1	EA	
20	035273-018	OUTER DOOR PANEL ASM, W/O LOGO, CW NLA	1	EA	
20	035273-021	OUTER DOOR PANEL ASM, W/O LOGO, SA	1	EA	
20	035273-022	OUTER DOOR PANEL ASM, W/O LOGO, SE	1	EA	
20	035273-023	OUTER DOOR PANEL ASM, W/O LOGO, IB	1	EA	
20	035273-024	OUTER DOOR PANEL ASM, W/O LOGO, AR	1	EA	
20	035273-025	OUTER DOOR PANEL ASM, W/O LOGO, RR	1	EA	
20	035273-051	OUTER DOOR PANEL ASM, W/O LOGO, CN	1	EA	
20	035273-052	OUTER DOOR PANEL ASM, W/O LOGO, DJ	1	EA	
20	035273-053	OUTER DOOR PANEL ASM, W/O LOGO, KB	1	EA	
20	035273-054	OUTER DOOR PANEL ASM, W/O LOGO, WS	1	EA	
21	028000-000	ENDCAP, RH, D3	1	EA	
22	027988-000	INSERT, D3 30" HANDLE	1	EA	
23	027986-000	HANDLE, D3 30"	1	EA	
24	028001-000	ENDCAP, LH,D3	1	EA	





Item	Part No.	Name	Qty	Uom	NOTES
NI	030638-000	OVEN DOOR ASM, W/O LOGO, SS	1	EA	
NI	035275-002	DOOR ASM, W/O LOGO, BK	1	EA	
NI	035275-003	DOOR ASM, W/O LOGO, BT	1	EA	
NI	035275-004	DOOR ASM, W/O LOGO, SG	1	EA	
NI	035275-005	DOOR ASM, W/O LOGO, GG	1	EA	
NI	035275-006	DOOR ASM, W/O LOGO, WH	1	EA	
NI	035275-008	DOOR ASM, W/O LOGO, BU	1	EA	
NI	035275-009	DOOR ASM, W/O LOGO, LE	1	EA	
NI	035275-010	DOOR ASM, W/O LOGO, MJ	1	EA	
NI	035275-012	DOOR ASM, W/O LOGO, VB	1	EA	
NI	035275-013	DOOR ASM, W/O LOGO, CB	1	EA	
NI	035275-015	DOOR ASM, W/O LOGO, PL	1	EA	Not available online / Call for pricing and availability
NI	035275-016	DOOR ASM, W/O LOGO, CH	1	EA	Not available online / Call for pricing and availability
NI	035275-017	DOOR ASM, W/O LOGO, TP	1	EA	Not available online / Call for pricing and availability
NI	035275-018	DOOR ASM, W/O LOGO, CW NLA	1	EA	
NI	035275-021	DOOR ASM, W/O LOGO, SA	1	EA	
NI	035275-022	DOOR ASM, W/O LOGO, SE	1	EA	
NI	035275-023	DOOR ASM, W/O LOGO, IB	1	EA	
NI	035275-024	DOOR ASM, W/O LOGO, AR	1	EA	
NI	035275-025	DOOR ASM, W/O LOGO, RR	1	EA	
NI	035275-051	DOOR ASM, W/O LOGO, CN	1	EA	
NI	035275-052	DOOR ASM, W/O LOGO, DJ	1	EA	
NI	035275-053	DOOR ASM, W/O LOGO, KB	1	EA	
NI	035275-054	DOOR ASM, W/O LOGO, WS	1	EA	

LOWER EXTERIOR AREA

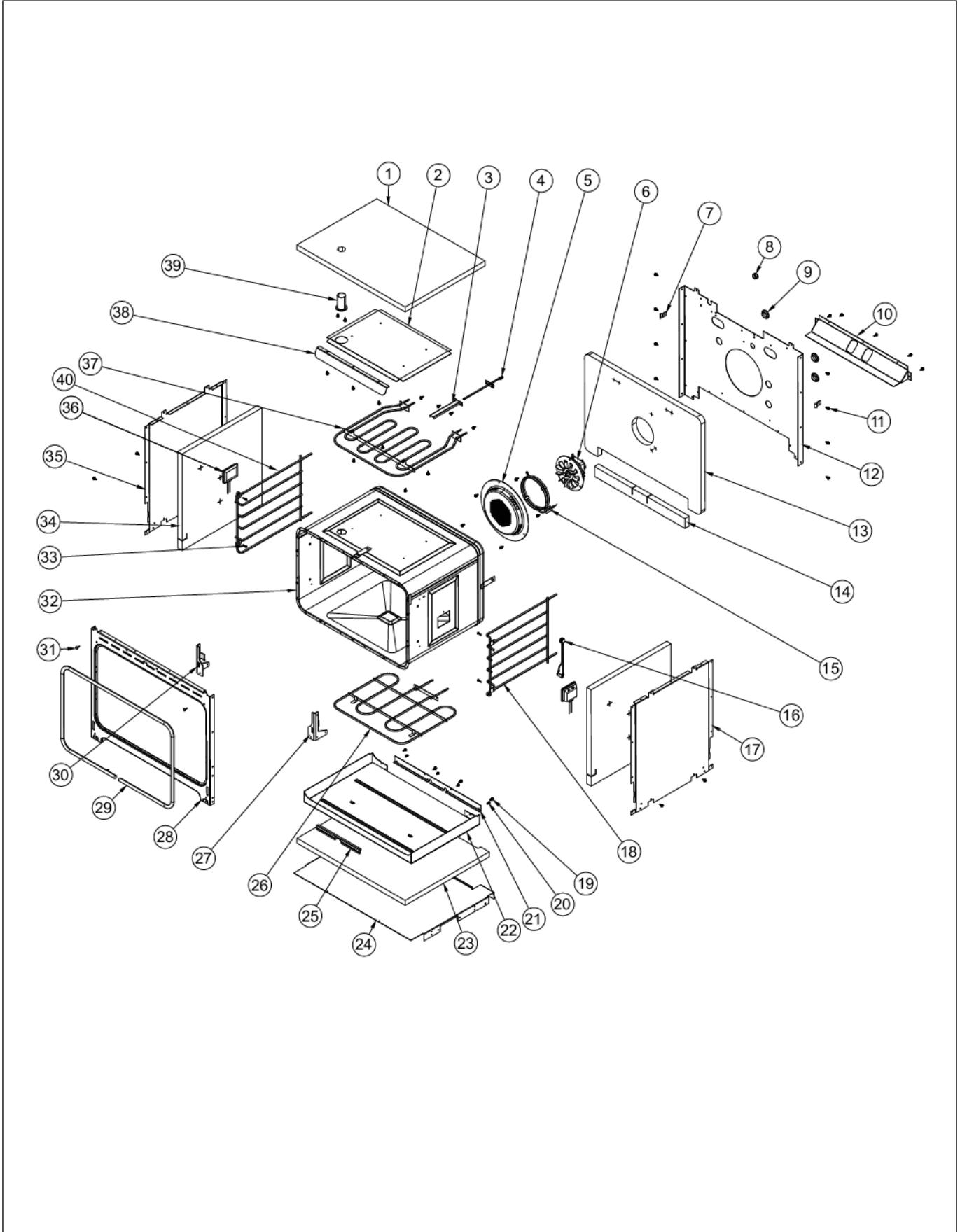




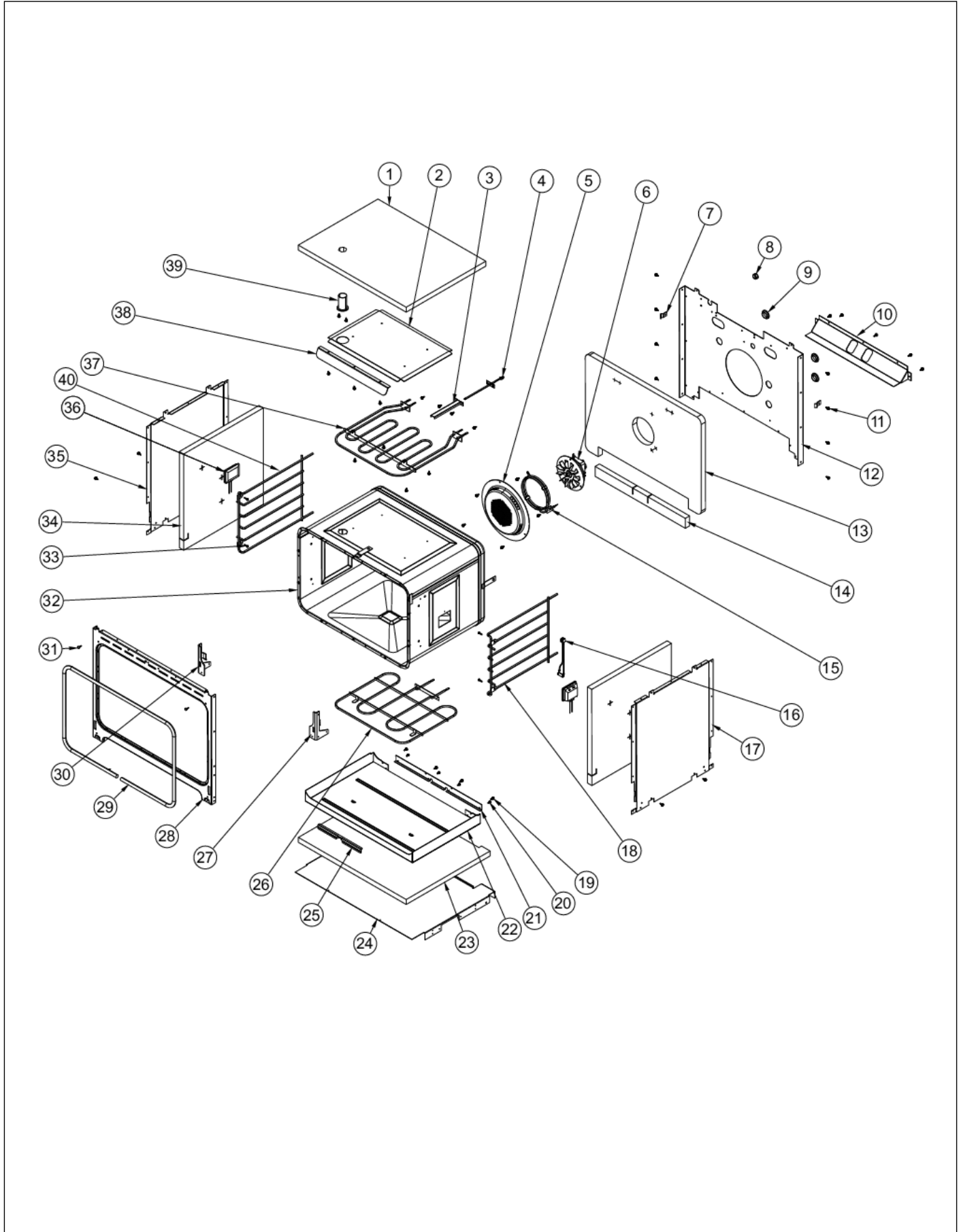


Item	Part No.	Name	Qty	Uom	NOTES
1	020952-000	BRACKET, BOTT, SIDE, LH	1	EA	
2	020955-000	BRACE, CENTER	1	EA	
3	020947-000	BRACKET, BOTT, SIDE, RH	1	EA	
4	003860-000	10-18 x .500 FASTNR,SCR,HXWH,STL,ZPLT	18	EA	
5	020941-000	BASE, MAIN	1	EA	
6	020962-000	BRACE, BOTTOM	1	EA	
7	008932-000	LOWER VENT EXTRUSION	1	EA	
8	015868-000	TAPE, .010 3M VHB 4926	1	EA	
9	015712-000	LOUVER, EXTD, DESIGNER	1	EA	

LOWER OVEN CAVITY



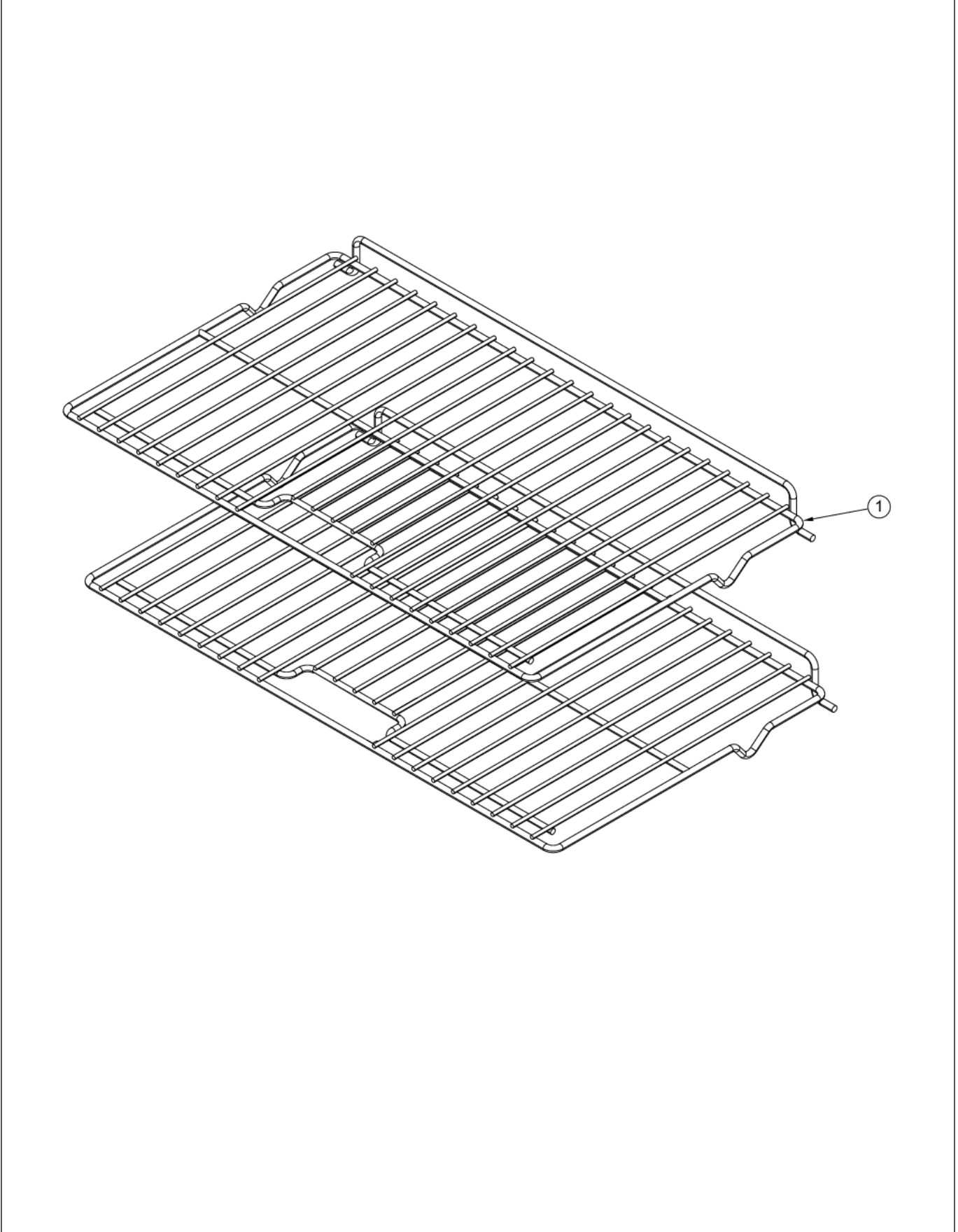
Item	Part No.	Name	Qty	Uom	NOTES
1	013502-000	INSULATION, TOP, DESIGNER	1	EA	
2	008867-000	BROIL REFLECTOR	1	EA	
3	008872-000	RTD COVER	1	EA	
4	008870-000	RTD	1	EA	
5	013580-402	CONV COVER W/BK PORC	1	EA	
6	019668-000	FAN, CONV, ASM	1	EA	
7	013070-000	SIDE SPACER	2	EA	
8	PD040005	SNAP BUSHING - 7/8"	1	EA	
9	PB070079	SILICONE EXTRUSION (DGSU)	3	EA	
10	008898-000	FAN DEFLECTOR	1	EA	
11	003860-000	10-18 x .500 FASTNR,SCR,HXWH,STL,ZPLT	17	EA	
12	008888-000	BACK INS RETAINER	1	EA	
13	008860-000	INSULATION BACK	1	EA	
14	013504-000	BAKE INSULATION	1	EA	
15	008862-000	CONV ELEMENT	1	EA	
16	008880-000	MEAT PROBE RECEPTACLE ASM	1	EA	
17	008896-000	COVER, INSL, SIDE	1	EA	
18	036573-402	RACK SUPPORT RT	1	EA	
Not Shown	NOTE	(AS OF 6/14/12)		EA	
19	PD020048	NO.10 X 1/2 TEK 410 SS SCREW	22	EA	
20	008856-000	SCR,#8-18 HEX, SERRATED, WASHER, HD.	4	EA	Not available online / Call for pricing and availability
21	008855-000	COVER BAKE TRAY	1	EA	
22	008857-000	COVER BAKE ELEMENT	1	EA	
23	013503-000	INSULATION, BOTTOM, DESIGNER	1	EA	
24	008889-000	RETAINER, BOT, INSULATION	1	EA	
25	009005-000	GASKET CLIP RAW	1	EA	Not available online / Call for pricing and availability
26	008854-000	BAKE ELEMENT	1	EA	





Item	Part No.	Name	Qty	Uom	NOTES
27	008895-000	RECEIVER, HINGE RIGHT	1	EA	
28	013505-402	FRONT FRAME W/BK PORC	1	EA	
29	009007-000	DOOR GASKET	1	EA	
30	008894-000	RECEIVER, HINGE LEFT	1	EA	
31	008864-000	SILICONE BUMPER	2	EA	
32	NON-SERVICEABLE	CAVITY ASM	1	EA	
33	PD020232	#8 X 3/4" PH PAN HEAD TEK SCREW (BLACK OXIDE)	4	EA	
34	023097-000	INSULATION, SIDE, DESIGNER	2	EA	
35	008896-000	COVER, INSL, SIDE	1	EA	
36	020403-000	LAMP, OVEN, 120V/40W	2	EA	
37	008871-000	BROIL ELEMENT	1	EA	
38	013753-402	DEFLECTOR, BRL, ASM W/BK PORC	1	EA	
39	008868-000	SMOKE ELIMINATOR	1	EA	
40	036548-402	RACK SUPPORT LT	1	EA	
Not Shown	NOTE	(AS OF 6/14/12)		EA	

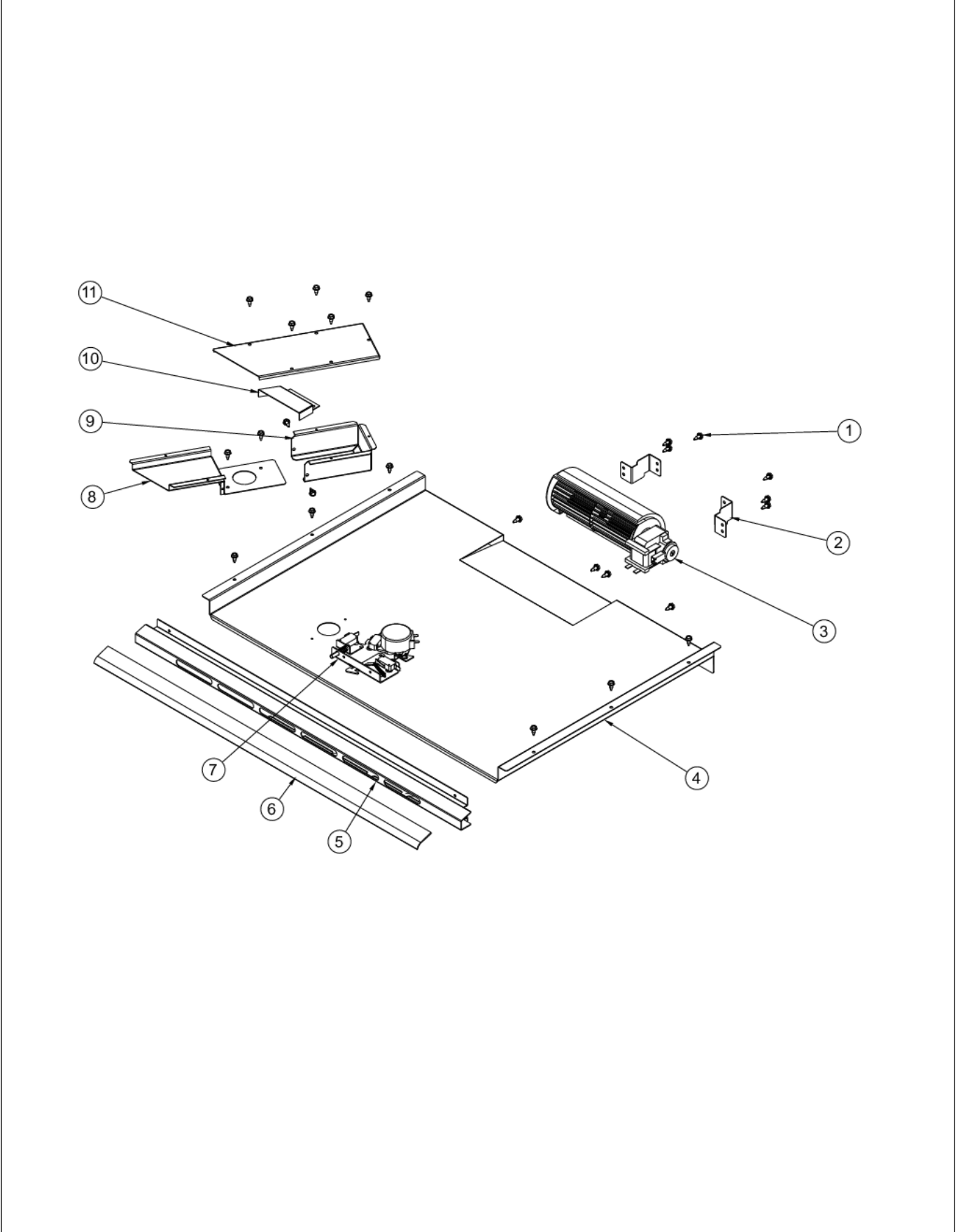
LOWER RACKS





Item	Part No.	Name	Qty	Uom	NOTES
1	027919-000	OVEN RACK D3	2	EA	

MIDDLE EXTERIOR AREA

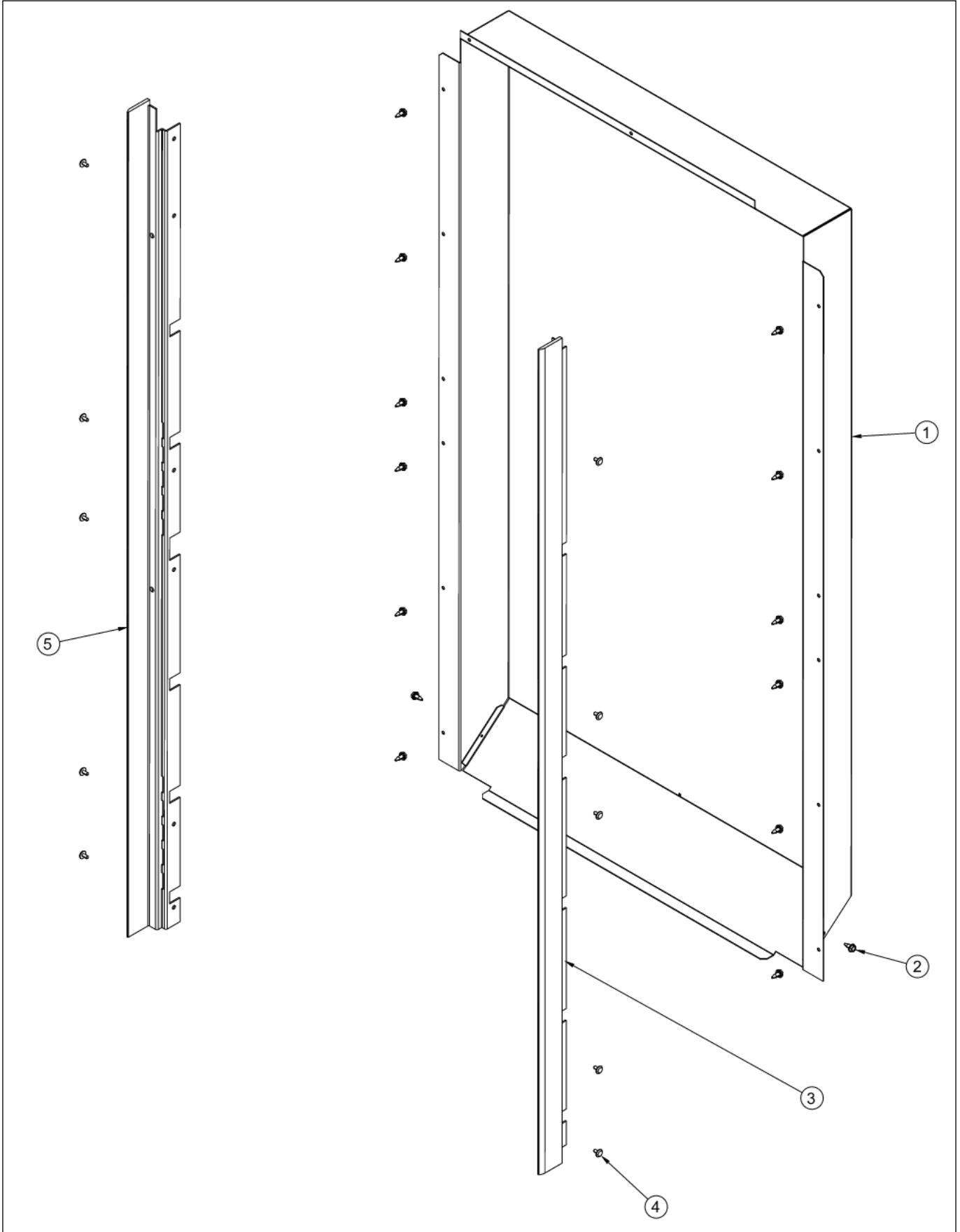






Item	Part No.	Name	Qty	Uom	NOTES
1	003860-000	10-18 x .500 FASTNR,SCR,HXWH,STL,ZPLT	25	EA	
2	008899-000	COOLING FAN BRACKET	2	EA	
3	PE050250	Blower	1	EA	
<p>Comments for Part Num. PE050250</p> <p>highendappsvc@gmail.com on Jan 28, 2019</p> <p>If you need to replace cooling fan for the model vgsc5486gss serial date code 031412, do not order this fan, this fan is larger and configured wrong. The correct fan is 007794-000. it is smaller.</p>					
Not Shown	NOTE	BEFORE 9/26/12		EA	
3	018607-000	FAN, BLO, 220-240V 50/60Hz ASM (MT1664)	1	EA	
Not Shown	NOTE	AFTER 9/26/12		EA	
4	008901-000	RETAINER INSL, TOP	1	EA	
5	008931-000	MID/UPPER VENT EXTRUSION	1	EA	
6	015712-000	LOUVER, EXTD, DESIGNER	1	EA	
7	035630-000	LATCH, ELEC, DOOR ASM (INCLUDES SWITCHES)	1	EA	
8	008902-000	SMOKE ELIM VENT BOTTOM	1	EA	
9	008912-000	SMOKE ELIMIN BACK	1	EA	
10	008914-000	TRIM, VENT, SEAL	1	EA	Not available online / Call for pricing and availability
11	008913-000	SMOKE ELIM VENT, TOP	1	EA	

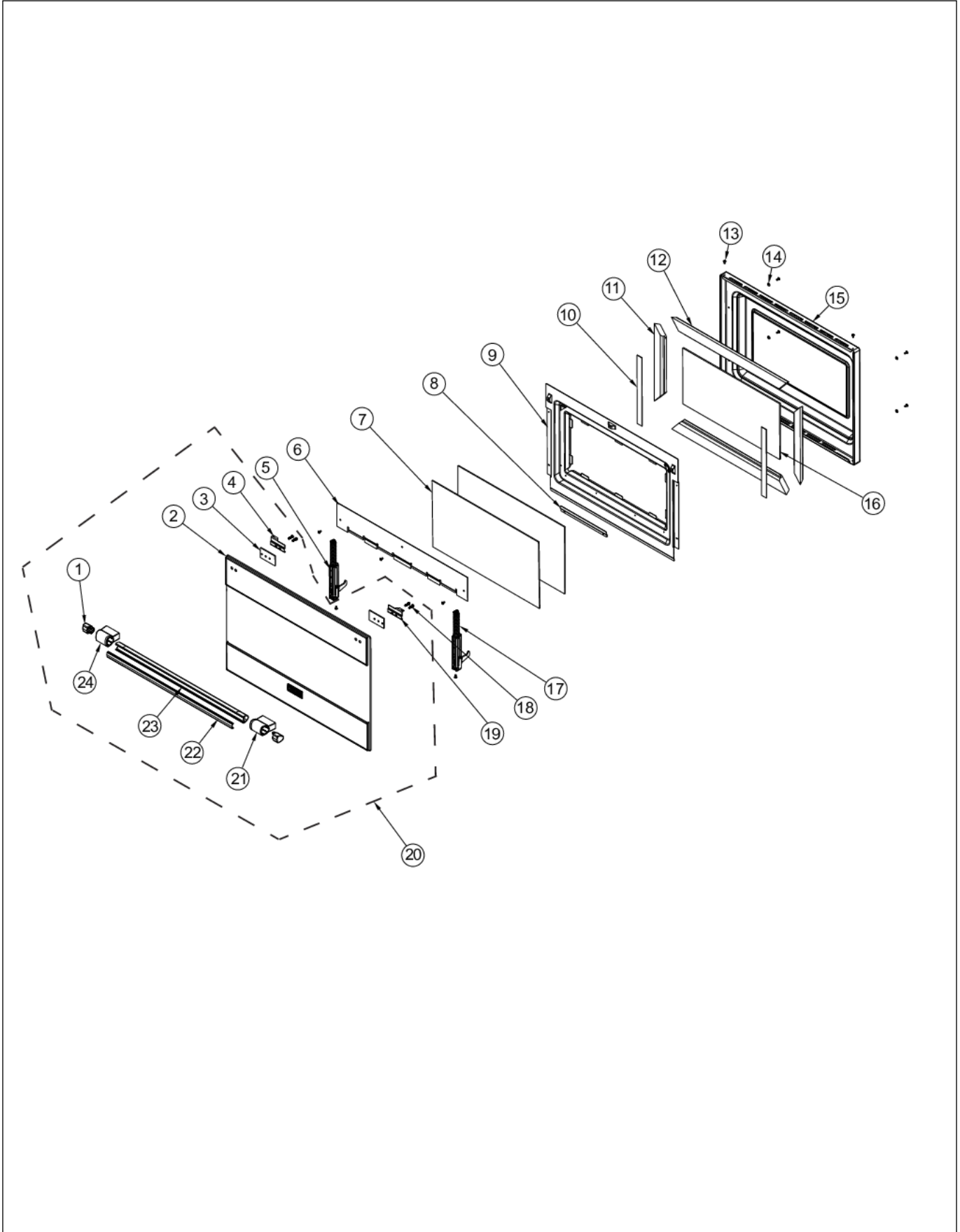
REAR UNIT AREA



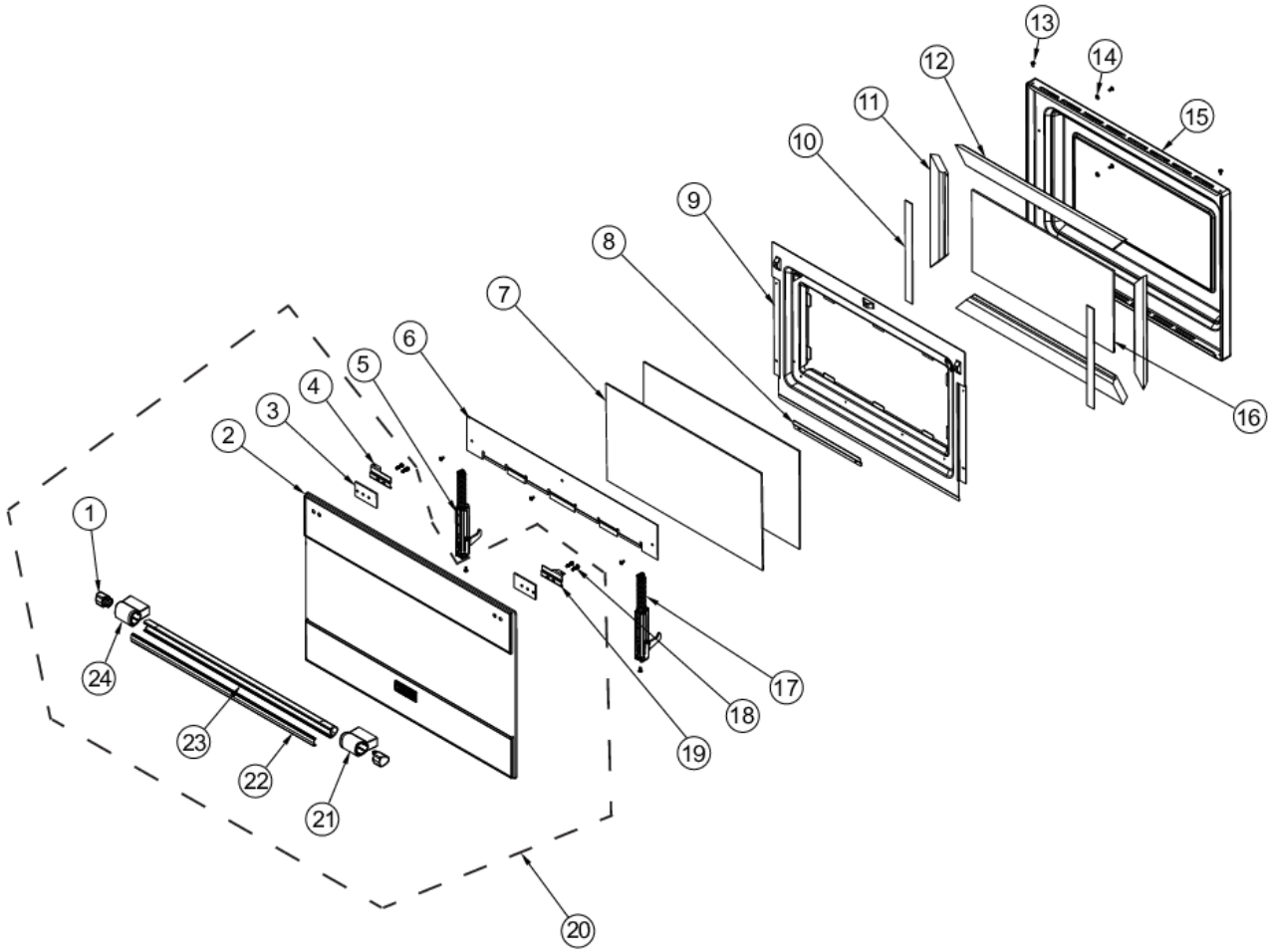


Item	Part No.	Name	Qty	Uom	NOTES
1	020957-000	COVER, BACK, DOUBLE	1	EA	
2	003860-000	10-18 x .500 FASTNR,SCR,HXWH,STL,ZPLT	14	EA	
3	011323-000	DOUBLE RH SIDE TRIM EXTRUSION	1	EA	
4	PD020032	SRW-8(A)X3/8"PH.WFR HD 7/16DIA*NICL	10	EA	
5	011324-000	DOUBLE LH SIDE TRIM EXTRUSION	1	EA	

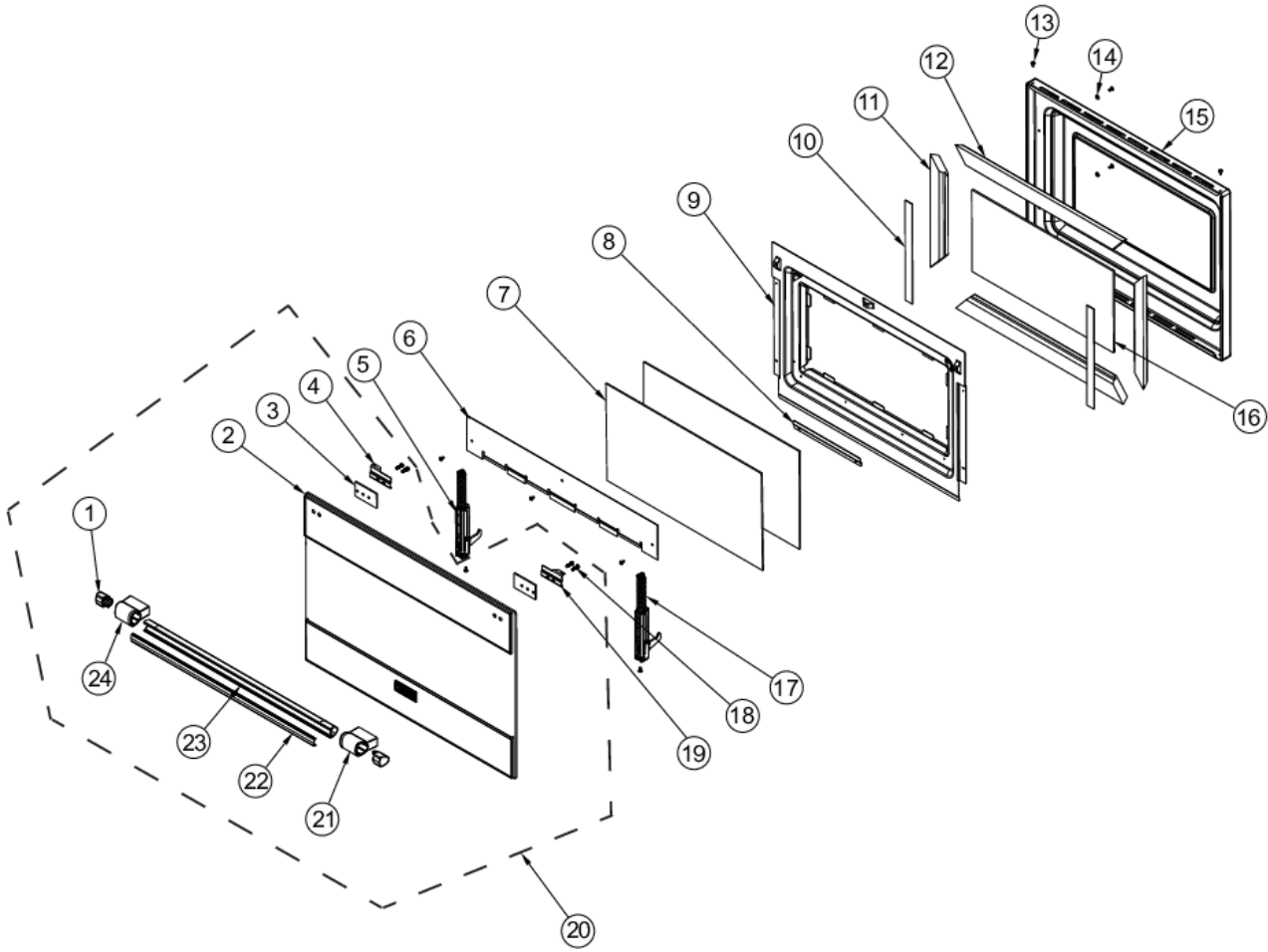
UPPER DOOR ASSEMBLY



Item	Part No.	Name	Qty	Uom	NOTES
1	028002-000	CAP, HANDLE, D3	2	EA	
2	039266-000	SKIN ASM, DOOR, W/LOGO, SS	1	EA	
2	039267-002	SKIN ASM, DOOR, W/LOGO, BK	1	EA	
2	039267-003	SKIN ASM, DOOR, W/LOGO, BT	1	EA	
2	039267-004	SKIN ASM, DOOR, W/LOGO, SG	1	EA	
2	039267-005	SKIN ASM, DOOR, W/LOGO, GG	1	EA	
2	039267-006	SKIN ASM, DOOR, W/LOGO, WH	1	EA	
2	039267-008	SKIN ASM, DOOR, W/LOGO, BU	1	EA	
2	039267-009	SKIN ASM, DOOR, W/LOGO, LE	1	EA	
2	039267-010	SKIN ASM, DOOR, W/LOGO, MJ	1	EA	
2	039267-012	SKIN ASM, DOOR, W/LOGO, VB	1	EA	
2	039267-013	SKIN ASM, DOOR, W/LOGO, CB	1	EA	
2	039267-015	SKIN ASM, DOOR, W/LOGO, PL	1	EA	
2	039267-016	SKIN ASM, DOOR, W/LOGO, CH	1	EA	
2	039267-017	SKIN ASM, DOOR, W/LOGO, TP	1	EA	
2	039267-018	SKIN ASM, DOOR, W/LOGO, CW NLA	1	EA	
2	039267-021	SKIN ASM, DOOR, W/LOGO, SA	1	EA	
2	039267-022	SKIN ASM, DOOR, W/LOGO, SE	1	EA	
2	039267-023	SKIN ASM, DOOR, W/LOGO, IB	1	EA	
2	039267-024	SKIN ASM, DOOR, W/LOGO, AR	1	EA	
2	039267-025	SKIN ASM, DOOR, W/LOGO, RR	1	EA	Not available online / Call for pricing and availability
2	039267-051	SKIN ASM, DOOR, W/LOGO, CN	1	EA	Not available online / Call for pricing and availability
2	039267-052	SKIN ASM, DOOR, W/LOGO, DJ	1	EA	
2	039267-053	SKIN ASM, DOOR, W/LOGO, KB	1	EA	
2	039267-054	SKIN ASM, DOOR, W/LOGO, WS	1	EA	
3	008971-000	SPACER, DOOR, HANDLE	2	EA	
4	008973-000	CLIP, GL, DOOR, LH	1	EA	
5	008958-000	HINGE LH	1	EA	

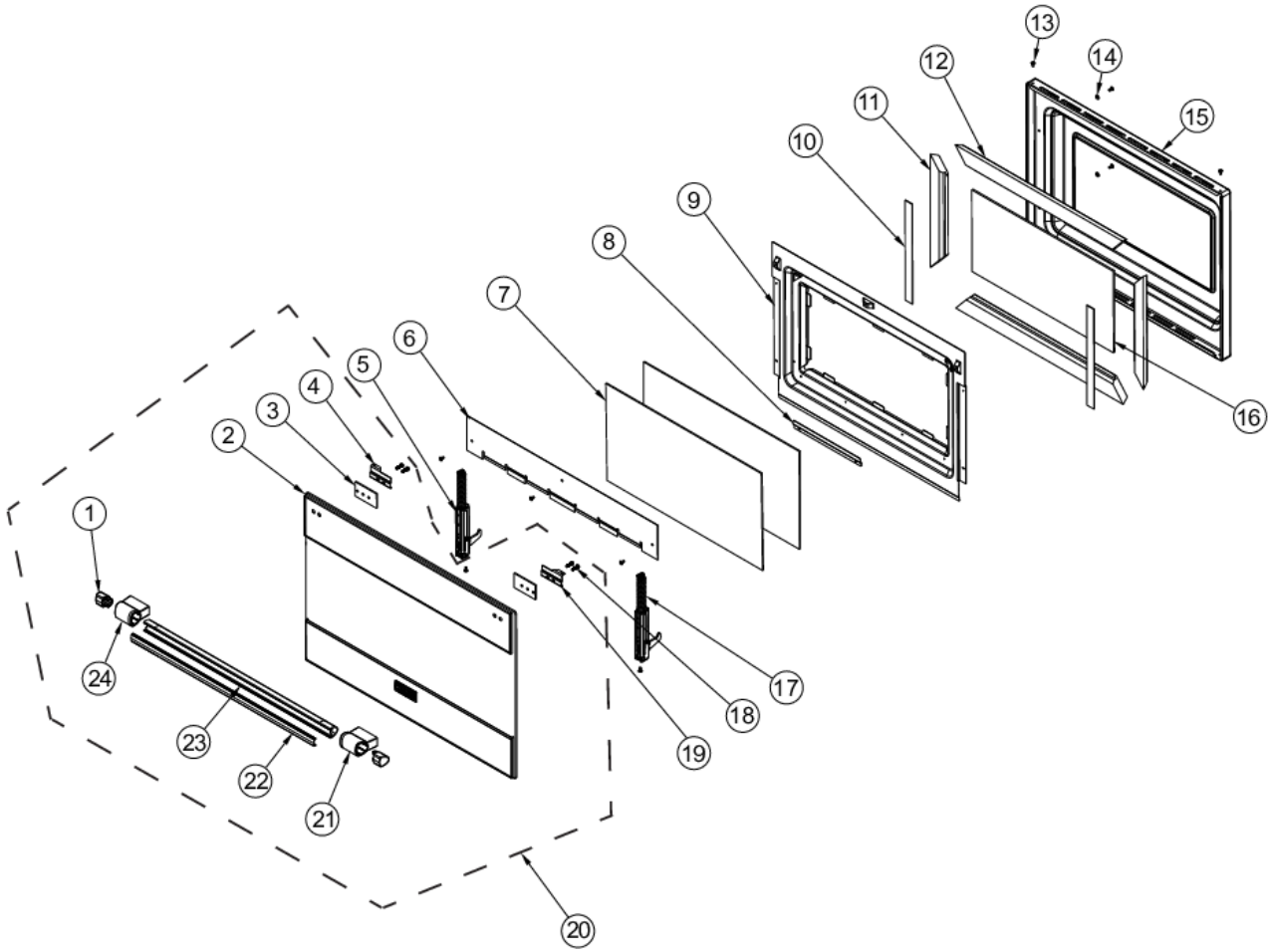


Item	Part No.	Name	Qty	Uom	NOTES
6	008959-000	RETAINER, GL, TOP	1	EA	
7	008952-000	INNER DOOR GLASS	2	EA	
8	042622-000	RETAINER, GL, BOT	1	EA	Not available online / Call for pricing and availability
9	030622-000	DOOR INSUL, RETAINER	1	EA	
10	020510-000	TAPE, VINYL, SINGLE COATED	2	EA	
11	008960-000	DOOR INSULATION VERTICAL	2	EA	
12	008962-000	DOOR INSULATION HORIZONTAL	2	EA	
13	008863-000	SCREW #8 - 18 X 3/8, PHIL, LOW PROFILE TRUSS	14	EA	
14	021181-000	WASHER, FIBER	4	EA	
15	030620-402	DOOR PLUG W/BK PORC	1	EA	
16	008949-000	INNER DOOR GLASS	1	EA	
17	008955-000	HINGE RH	1	EA	
18	008974-000	SCREW 10 - 32 X 3/4 SLOT HEX WASHER W/ LOCTITE	4	EA	
19	008972-000	CLIP, GL, DOOR, RH	1	EA	
20	028000-000	ENDCAP, RH, D3	1	EA	
20	030635-000	OUTER DOOR PANEL ASM W/LOGO, SS	1	EA	
20	035272-002	OUTER DOOR PANEL ASM, W/LOGO, BK	1	EA	
20	035272-003	OUTER DOOR PANEL ASM, W/LOGO, BT	1	EA	
20	035272-004	OUTER DOOR PANEL ASM, W/LOGO, SG	1	EA	
20	035272-005	OUTER DOOR PANEL ASM, W/LOGO, GG	1	EA	
20	035272-006	OUTER DOOR ASM, W/LOGO, WH	1	EA	
20	035272-008	OUTER DOOR PANEL ASM, W/LOGO, BU	1	EA	
20	035272-009	OUTER DOOR PANEL ASM, W/LOGO, LE	1	EA	
20	035272-010	OUTER DOOR PANEL ASM, W/LOGO, MJ	1	EA	
20	035272-012	OUTER DOOR PANEL ASM, W/LOGO, VB	1	EA	





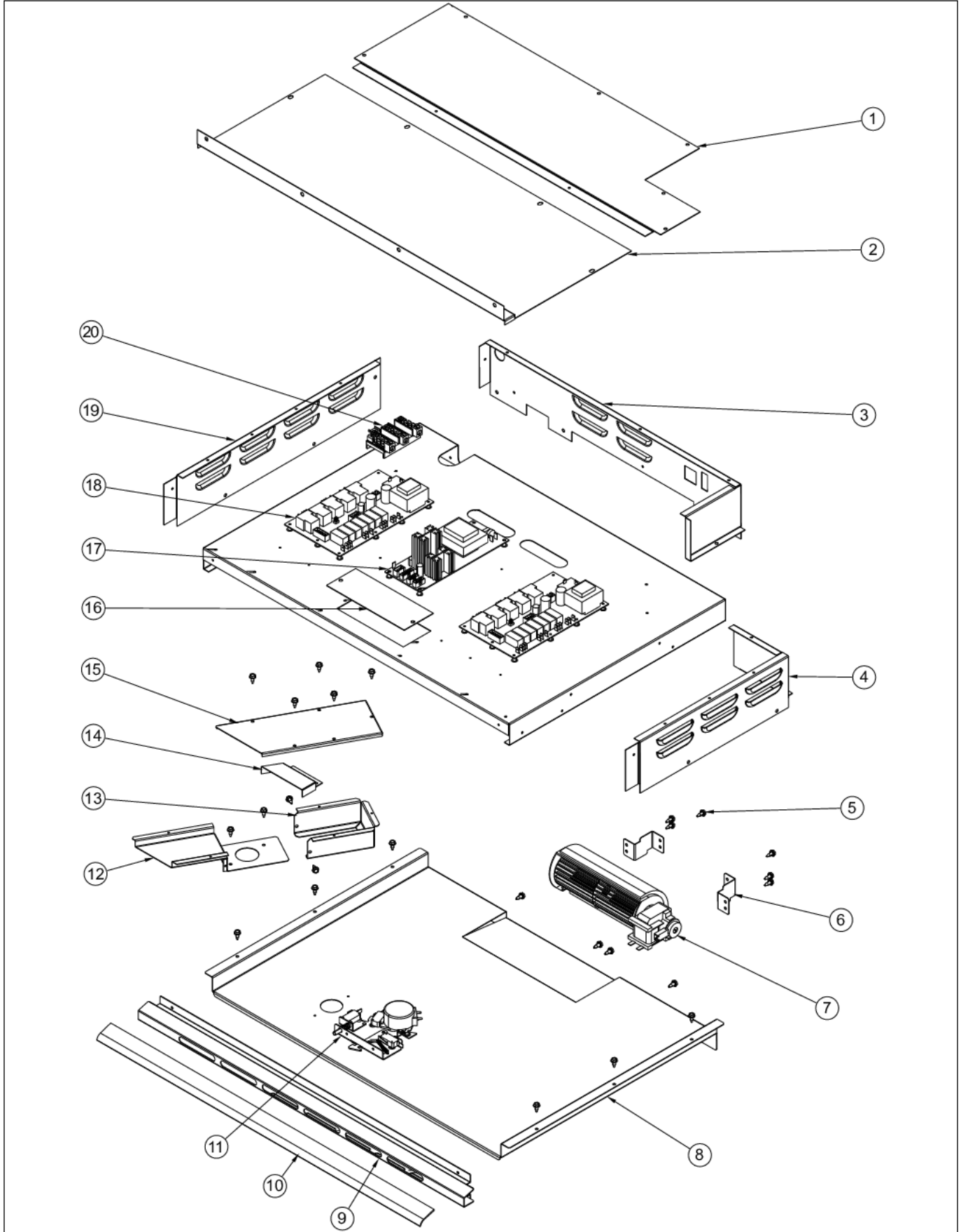
Item	Part No.	Name	Qty	Uom	NOTES
20	035272-013	OUTER DOOR PANEL ASM, W/LOGO, CB	1	EA	
20	035272-015	OUTER DOOR PANEL ASM, W/LOGO, PL	1	EA	
20	035272-016	OUTER DOOR PANEL ASM, W/LOGO, CH	1	EA	
20	035272-017	OUTER DOOR PANEL ASM, W/LOGO, TP	1	EA	
20	035272-018	OUTER DOOR PANEL ASM, W/LOGO, CW NLA	1	EA	
20	035272-021	OUTER DOOR PANEL ASM, W/LOGO, SA	1	EA	
20	035272-022	OUTER DOOR PANEL ASM, W/LOGO, SE	1	EA	
20	035272-023	OUTER DOOR PANEL ASM, W/LOGO, IB	1	EA	
20	035272-024	OUTER DOOR PANEL ASM, W/LOGO, AR	1	EA	
20	035272-025	OUTER DOOR PANEL ASM, W/LOGO, RR	1	EA	
20	035272-051	OUTER DOOR PANEL ASM, W/LOGO, CN	1	EA	
20	035272-052	OUTER DOOR PANEL ASM, W/LOGO, DJ	1	EA	
20	035272-053	OUTER DOOR PANEL ASM, W/LOGO, KB	1	EA	
20	035272-054	OUTER DOOR PANEL ASM, W/LOGO, WS	1	EA	
21	027988-000	INSERT, D3 30" HANDLE	1	EA	
22	027986-000	HANDLE, D3 30"	1	EA	
23	028001-000	ENDCAP, LH,D3	1	EA	
NI	030639-000	DOOR ASM W/LOGO, SS	1	EA	
NI	035274-002	DOOR ASM, W/LOGO, BK	1	EA	
NI	035274-003	DOOR ASM, W/LOGO, BT	1	EA	
NI	035274-004	DOOR ASM, W/LOGO, SG	1	EA	
NI	035274-005	DOOR ASM, W/LOGO, GG	1	EA	
NI	035274-006	DOOR ASM, W/LOGO, WH	1	EA	
NI	035274-008	DOOR ASM, W/LOGO, BU	1	EA	
NI	035274-009	DOOR ASM, W/LOGO, LE	1	EA	
NI	035274-010	DOOR ASM, W/LOGO, MJ	1	EA	





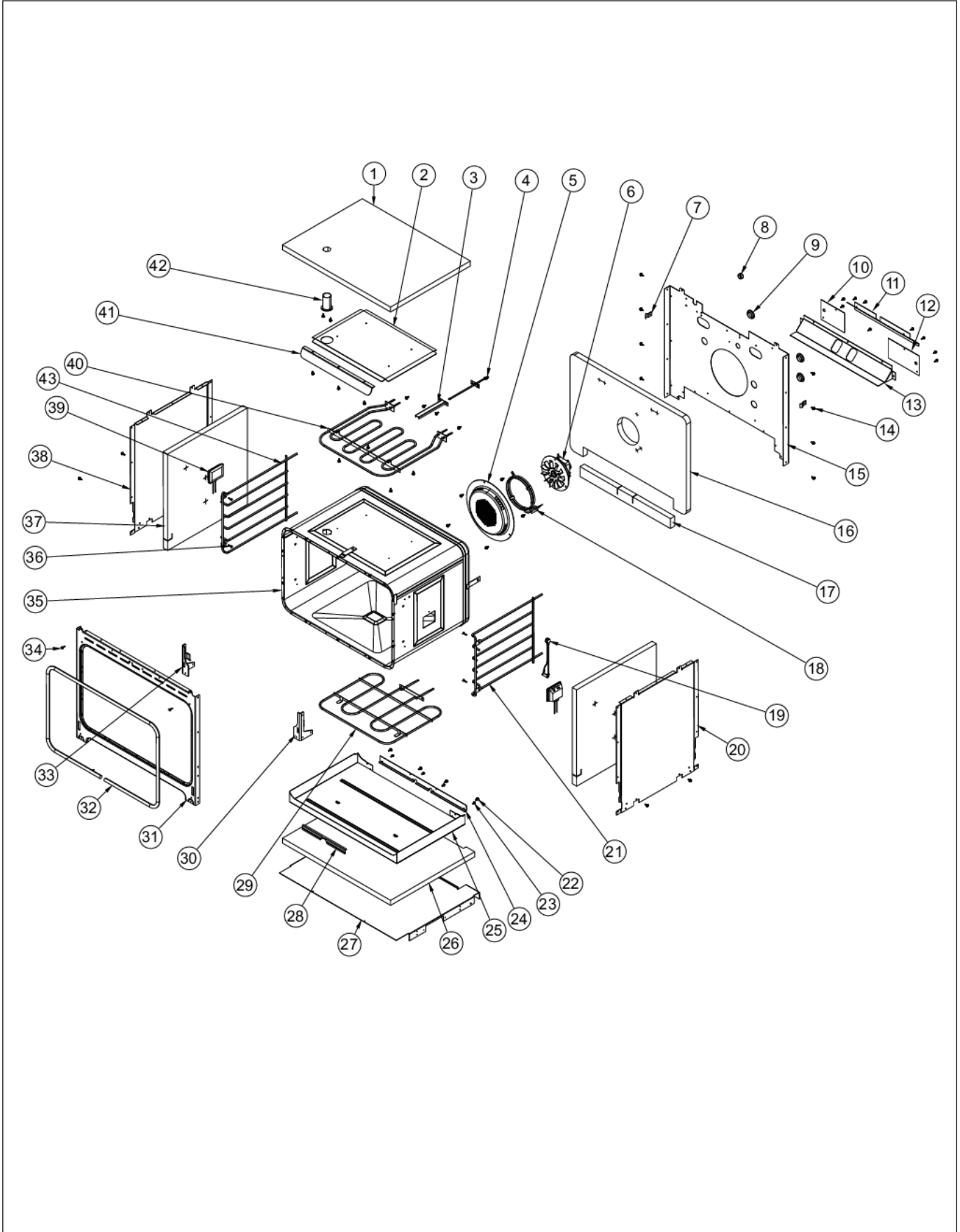
Item	Part No.	Name	Qty	Uom	NOTES
NI	035274-012	DOOR ASM, W/LOGO, VB	1	EA	
NI	035274-013	DOOR ASM, W/LOGO, CB	1	EA	
NI	035274-015	DOOR ASM, W/LOGO, PL	1	EA	
NI	035274-016	DOOR ASM, W/LOGO, CH	1	EA	
NI	035274-017	DOOR ASM, W/LOGO, TP	1	EA	
NI	035274-018	DOOR ASM, W/LOGO, CW NLA	1	EA	
NI	035274-021	DOOR ASM, W/LOGO, SA	1	EA	
NI	035274-022	DOOR ASM, W/LOGO, SE	1	EA	
NI	035274-023	DOOR ASM, W/LOGO, IB	1	EA	
NI	035274-024	DOOR ASM, W/LOGO, AR	1	EA	
NI	035274-025	DOOR ASM, W/LOGO, RR	1	EA	
NI	035274-051	DOOR ASM, W/LOGO, CN	1	EA	
NI	035274-052	DOOR ASM, W/LOGO, DJ	1	EA	
NI	035274-053	DOOR ASM, W/LOGO, KB	1	EA	
NI	035274-054	DOOR ASM, W/LOGO, WS	1	EA	

UPPER EXTERIOR AREA



Item	Part No.	Name	Qty	Uom	NOTES
1	015776-000	PANEL, ACS, TOP, REAR	1	EA	
2	012541-000	PANEL, ACS, FR	1	EA	
3	020956-000	COVER, BACK, SINGLE	1	EA	
4	015777-000	TOP SIDE, RH	1	EA	NO LONGER AVAILABLE
5	003860-000	10-18 x .500 FASTNR,SCR,HXWH,STL,ZPLT	25	EA	
6	008899-000	COOLING FAN BRACKET	2	EA	
7	PE050250	Blower	1	EA	
<p>Comments for Part Num. PE050250</p> <p>highendappsvc@gmail.com on Jan 28, 2019</p> <p>If you need to replace cooling fan for the model vgsc5486gss serial date code 031412, do not order this fan, this fan is larger and configured wrong. The correct fan is 007794-000. it is smaller.</p>					
Not Shown	NOTE	BEFORE 9/26/12		EA	
7	018607-000	FAN, BLO, 220-240V 50/60Hz ASM (MT1664)	1	EA	
Not Shown	NOTE	AFTER 9/26/12		EA	
8	008901-000	RETAINER INSL, TOP	1	EA	
9	008931-000	MID/UPPER VENT EXTRUSION	1	EA	
10	009011-000	LOUVER EXTRUSION	1	EA	
11	035630-000	LATCH, ELEC, DOOR ASM (INCLUDES SWITCHES)	1	EA	
12	008902-000	SMOKE ELIM VENT BOTTOM	1	EA	
13	008912-000	SMOKE ELIMIN BACK	1	EA	
14	008914-000	TRIM, VENT, SEAL	1	EA	Not available online / Call for pricing and availability
15	008913-000	SMOKE ELIM VENT, TOP	1	EA	
16	020545-000	COVER, ACCESS	1	EA	
17	015201-000	LINEAR POWER SUPPLY	1	EA	
18	046142-556	CONTROL, EOC4, LED, V39/V51 & FAMILY	2	EA	
19	012540-000	TOP SIDE, LH	1	EA	NO LONGER AVAILABLE
20	PE070147	TERMINAL BLOCK (VDSC)	1	EA	

UPPER OVEN CAVITY





Item	Part No.	Name	Qty	Uom	NOTES
1	013502-000	INSULATION, TOP, DESIGNER	1	EA	
2	008867-000	BROIL REFLECTOR	1	EA	
3	008872-000	RTD COVER	1	EA	
4	008870-000	RTD	1	EA	
5	013580-402	CONV COVER W/BK PORC	1	EA	
6	019668-000	FAN, CONV, ASM	1	EA	
7	013070-000	SIDE SPACER	2	EA	
8	PD040005	SNAP BUSHING - 7/8"	1	EA	
9	PB070079	SILICONE EXTRUSION (DGSU)	3	EA	
10	009020-000	COVER, RH	1	EA	
11	009010-000	AIR DEFLECTOR	1	EA	Not available online / Call for pricing and availability
12	009018-000	COVER, REAR	1	EA	
13	008898-000	FAN DEFLECTOR	1	EA	
14	003860-000	10-18 x .500 FASTNR,SCR,HXWH,STL,ZPLT	21	EA	
15	008888-000	BACK INS RETAINER	1	EA	
16	008860-000	INSULATION BACK	1	EA	
17	013504-000	BAKE INSULATION	1	EA	
18	008862-000	CONV ELEMENT	1	EA	
19	008880-000	MEAT PROBE RECEPTACLE ASM	1	EA	
20	008896-000	COVER, INSL, SIDE	1	EA	
21	036573-402	RACK SUPPORT RT	1	EA	
22	PD020048	NO.10 X 1/2 TEK 410 SS SCREW	22	EA	
23	008856-000	SCR,#8-18 HEX, SERRATED, WASHER, HD.	4	EA	Not available online / Call for pricing and availability
24	008855-000	COVER BAKE TRAY	1	EA	
25	008857-000	COVER BAKE ELEMENT	1	EA	
26	013503-000	INSULATION, BOTTOM, DESIGNER	1	EA	
27	008889-000	RETAINER, BOT, INSULATION	1	EA	

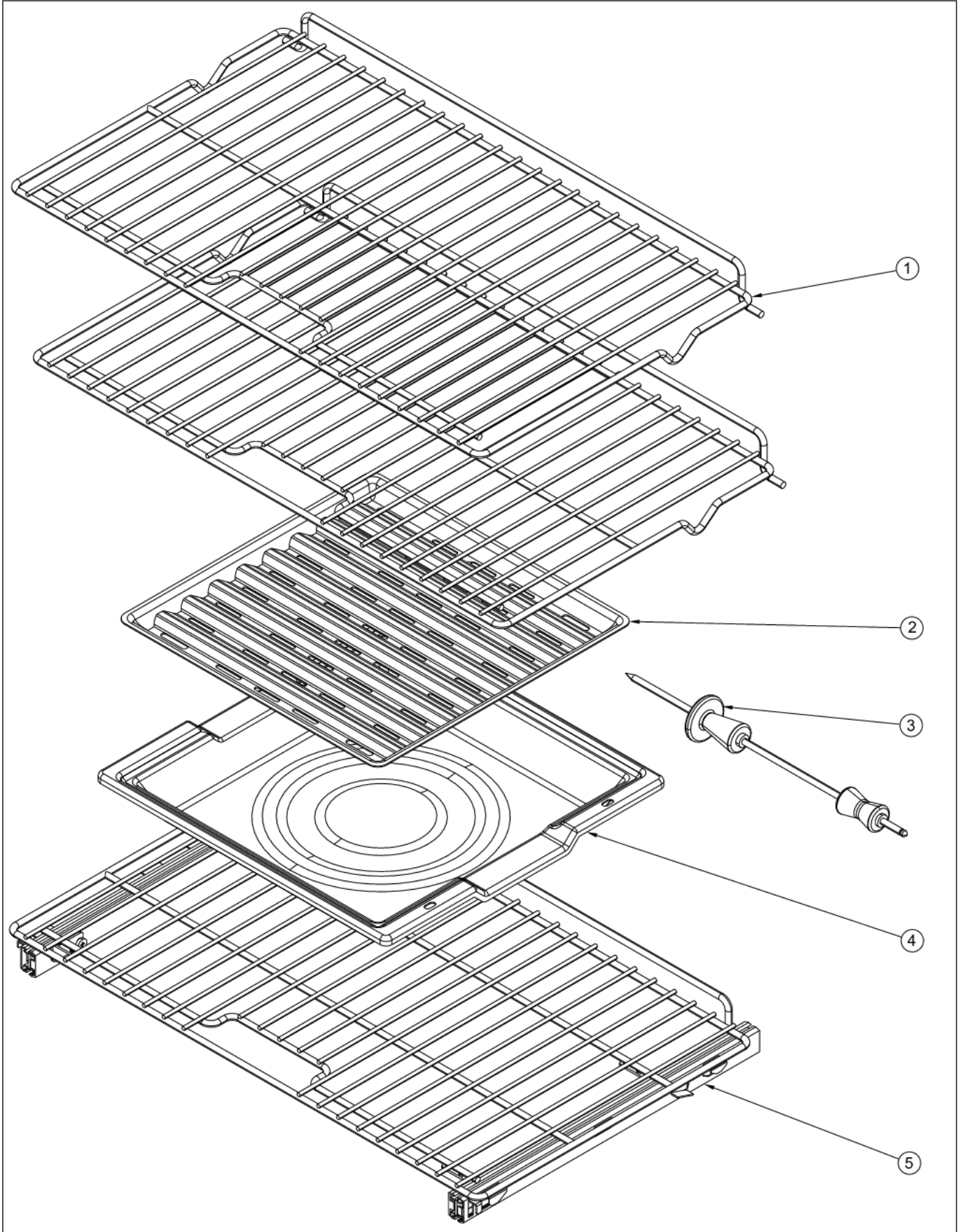






Item	Part No.	Name	Qty	Uom	NOTES
28	009005-000	GASKET CLIP RAW	1	EA	Not available online / Call for pricing and availability
29	008854-000	BAKE ELEMENT	1	EA	
30	008895-000	RECEIVER, HINGE RIGHT	1	EA	
31	013505-402	FRONT FRAME W/BK PORC	1	EA	
32	009007-000	DOOR GASKET	1	EA	
33	008894-000	RECEIVER, HINGE LEFT	1	EA	
34	008864-000	SILICONE BUMPER	2	EA	
35	NON-SERVICEABLE	CAVITY ASM	1	EA	
36	PD020232	#8 X 3/4" PH PAN HEAD TEK SCREW (BLACK OXIDE)	4	EA	
37	023097-000	INSULATION, SIDE, DESIGNER	2	EA	
38	008896-000	COVER, INSL, SIDE	1	EA	
39	020403-000	LAMP, OVEN, 120V/40W	2	EA	
40	008871-000	BROIL ELEMENT	1	EA	
41	013753-402	DEFLECTOR, BRL, ASM W/BK PORC	1	EA	
42	008868-000	SMOKE ELIMINATOR	1	EA	
43	036548-402	RACK SUPPORT LT	1	EA	

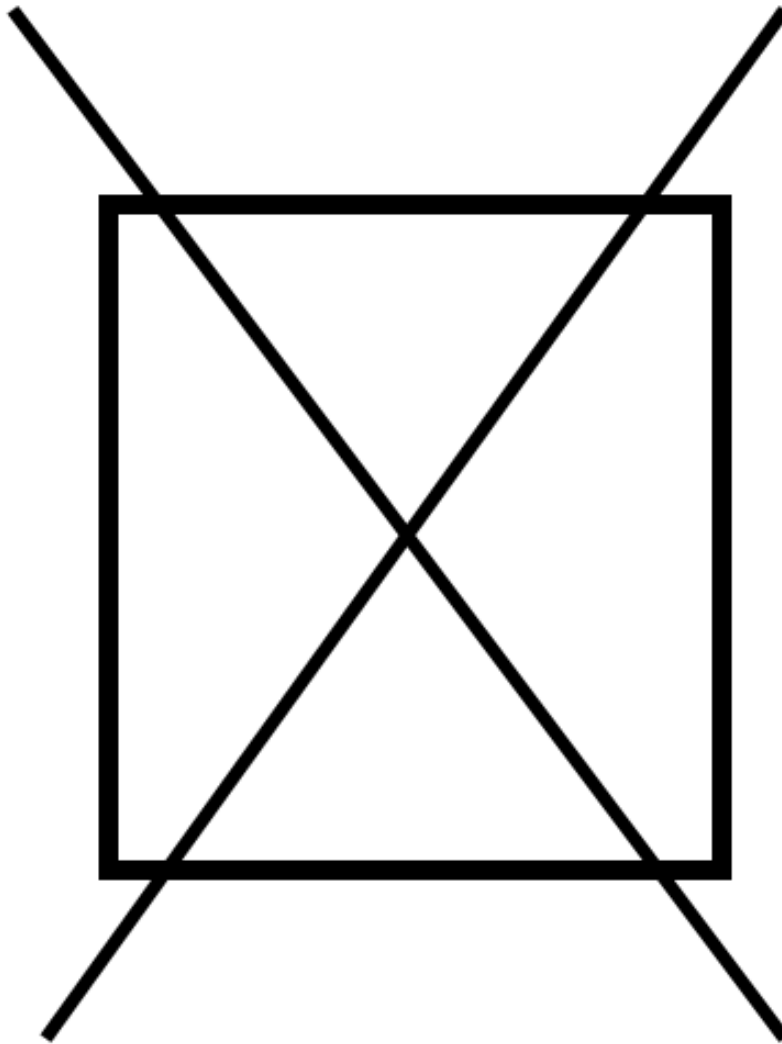
UPPER RACKS





Item	Part No.	Name	Qty	Uom	NOTES
1	027919-000	OVEN RACK D3	2	EA	
Not Shown	NOTE	(AS OF 6/14/12)		EA	
2	042251-000	PAN, GRILL, TOP, PORCELAIN	1	EA	
3	013803-000	PROBE, MEAT, DESIGNER	1	EA	
4	042252-000	PAN, BROILER, BTM, PORCELAIN	1	EA	
5	051822-000	RACK, GLIDE, W/O 30"	1	EA	
Not Shown	NOTE	(AS OF 6/14/12)		EA	
NI	042253-000	PAN, BROILER, PORCELAIN ASM	1	EA	

NON  
ILLUSTRATED PART





Item	Part No.	Name	Qty	Uom	NOTES
NI	016290-000	HARNESS, LATCH	1	EA	
Not Shown	NOTE	(BEFORE 5/21/13)		EA	
NI	041666-000	HARNESS,LATCH	1	EA	
Not Shown	NOTE	(ON OR AFTER 5/21/13)		EA	
NI	036541-000	HARN, W, UPR, RDDOE306	1	EA	
Not Shown	NOTE	(BEFORE 5/21/13)		EA	
NI	041668-000	HARN,W,UPR	1	EA	
Not Shown	NOTE	(ON OR AFTER 5/21/13)		EA	
NI	036542-000	HARN, W, LWR, RDDOE306á	1	EA	
Not Shown	NOTE	(BEFORE 5/21/13)		EA	
NI	041667-000	HARN,W,LWR	1	EA	
Not Shown	NOTE	(ON OR AFTER 5/21/13)		EA	



Appendix A:Pages Index

CONTROL PANEL ..... 1  
LOWER DOOR ASSEMBLY ..... 2  
LOWER EXTERIOR AREA ..... 3  
LOWER OVEN CAVITY ..... 4  
LOWER RACKS ..... 5  
MIDDLE EXTERIOR AREA ..... 6  
REAR UNIT AREA ..... 7  
UPPER DOOR ASSEMBLY ..... 8  
UPPER EXTERIOR AREA ..... 9  
UPPER OVEN CAVITY ..... 10  
UPPER RACKS ..... 11  
WIRING ..... 12



Appendix B:Parts Index

003860-000	3, 4, 6, 7, 9, 10	009005-000	4, 10
008854-000	4, 10	009007-000	4, 10
008855-000	4, 10	009010-000	10
008856-000	4, 10	009011-000	9
008857-000	4, 10	009018-000	10
008860-000	4, 10	009020-000	10
008862-000	4, 10	011323-000	7
008863-000	2, 8	011324-000	7
008864-000	4, 10	012540-000	9
008867-000	4, 10	012541-000	9
008868-000	4, 10	013070-000	4, 10
008870-000	4, 10	013502-000	4, 10
008871-000	4, 10	013503-000	4, 10
008872-000	4, 10	013504-000	4, 10
008880-000	4, 10	013505-402	4, 10
008888-000	4, 10	013580-402	4, 10
008889-000	4, 10	013753-402	4, 10
008894-000	4, 10	013803-000	11
008895-000	4, 10	015043-000	1
008896-000	4, 4, 10, 10	015201-000	9
008898-000	4, 10	015712-000	3, 6
008899-000	6, 9	015776-000	9
008901-000	6, 9	015777-000	9
008902-000	6, 9	015868-000	3
008912-000	6, 9	016290-000	12
008913-000	6, 9	018607-000	6, 9
008914-000	6, 9	019340-000	1
008931-000	6, 9	019668-000	4, 10
008932-000	3	020403-000	4, 10
008949-000	2, 8	020510-000	2, 8
008952-000	2, 8	020545-000	9
008955-000	2, 8	020941-000	3
008958-000	2, 8	020947-000	3
008959-000	2, 8	020952-000	3
008960-000	2, 8	020955-000	3
008962-000	2, 8	020956-000	9
008971-000	2, 8	020957-000	7
008972-000	2, 8	020962-000	3
008973-000	2, 8	021181-000	2, 8
008974-000	2, 8	023097-000	4, 10
		027919-000	5, 11



027986-000	2, 8	035272-054	8
027988-000	2, 8	035273-002	2
028000-000	2, 8	035273-003	2
028001-000	2, 8	035273-004	2
028002-000	2, 8	035273-005	2
030331-002	1	035273-006	2
030331-005	1	035273-008	2
030331-006	1	035273-009	2
030331-008	1	035273-010	2
030331-013	1	035273-012	2
030331-024	1	035273-013	2
0303331-2339	1	035273-015	2
030620-402	2, 8	035273-016	2
030622-000	2, 8	035273-017	2
030635-000	8	035273-018	2
030636-000	2	035273-021	2
030638-000	2	035273-022	2
030639-000	8	035273-023	2
031594-000	1	035273-024	2
035272-002	8	035273-025	2
035272-003	8	035273-051	2
035272-004	8	035273-052	2
035272-005	8	035273-053	2
035272-006	8	035273-054	2
035272-008	8	035274-002	8
035272-009	8	035274-003	8
035272-010	8	035274-004	8
035272-012	8	035274-005	8
035272-013	8	035274-006	8
035272-015	8	035274-008	8
035272-016	8	035274-009	8
035272-017	8	035274-010	8
035272-018	8	035274-012	8
035272-021	8	035274-013	8
035272-022	8	035274-015	8
035272-023	8	035274-016	8
035272-024	8	035274-017	8
035272-025	8	035274-018	8
035272-051	8	035274-021	8
035272-052	8	035274-022	8
035272-053	8	035274-023	8





035274-024	8	039267-006	8
035274-025	8	039267-008	8
035274-051	8	039267-009	8
035274-052	8	039267-010	8
035274-053	8	039267-012	8
035274-054	8	039267-013	8
035275-002	2	039267-015	8
035275-003	2	039267-016	8
035275-004	2	039267-017	8
035275-005	2	039267-018	8
035275-006	2	039267-021	8
035275-008	2	039267-022	8
035275-009	2	039267-023	8
035275-010	2	039267-024	8
035275-012	2	039267-025	8
035275-013	2	039267-051	8
035275-015	2	039267-052	8
035275-016	2	039267-053	8
035275-017	2	039267-054	8
035275-018	2	039268-000	2
035275-021	2	039269-002	2
035275-022	2	039269-003	2
035275-023	2	039269-004	2
035275-024	2	039269-005	2
035275-025	2	039269-006	2
035275-051	2	039269-008	2
035275-052	2	039269-009	2
035275-053	2	039269-010	2
035275-054	2	039269-012	2
035630-000	6, 9	039269-013	2
036541-000	12	039269-015	2
036542-000	12	039269-016	2
036548-402	4, 10	039269-017	2
036573-402	4, 10	039269-018	2
037823-000	1	039269-021	2
039199-000	1	039269-022	2
039266-000	8	039269-023	2
039267-002	8	039269-024	2
039267-003	8	039269-025	2
039267-004	8	039269-051	2
039267-005	8	039269-052	2



039269-053 ..... 2  
039269-054 ..... 2  
041666-000 ..... 12  
041667-000 ..... 12  
041668-000 ..... 12  
042251-000 ..... 11  
042252-000 ..... 11  
042253-000 ..... 11  
042622-000 ..... 2, 8  
046142-556 ..... 9  
051822-000 ..... 11  
A10014045 ..... 1  
G40015469 ..... 1  
PA010093 ..... 1  
PB010222 ..... 1  
PB010315 ..... 1  
PB070079 ..... 4, 10  
PD020004 ..... 1  
PD020006 ..... 1  
PD020032 ..... 7  
PD020048 ..... 4, 10  
PD020232 ..... 4, 10  
PD020261 ..... 1  
PD040005 ..... 4, 10  
PE050250 ..... 6, 9  
PE070147 ..... 9  
PJ030033 ..... 1  
PJ030034 ..... 1  
PJ030035 ..... 1