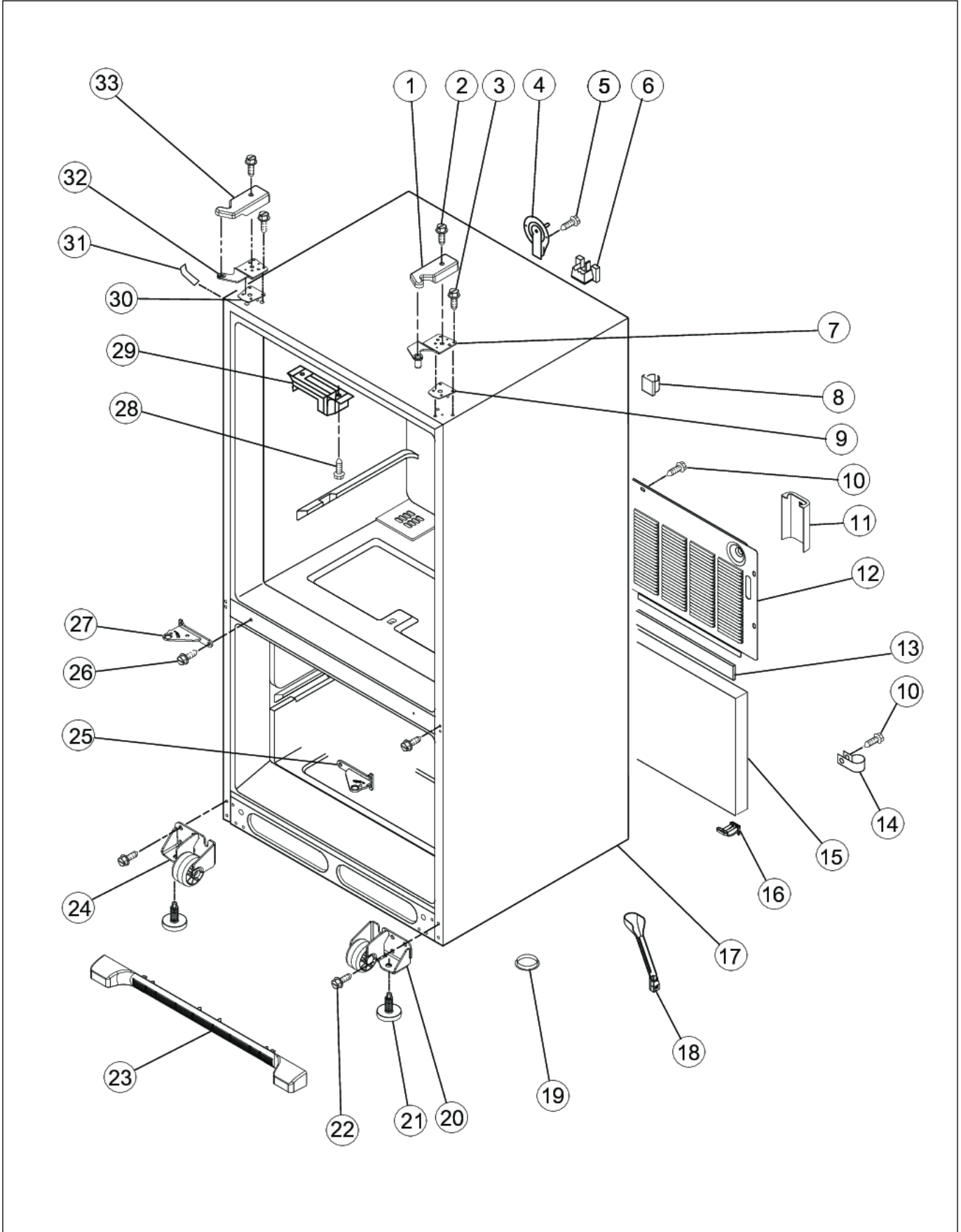


RDDEF236SS02

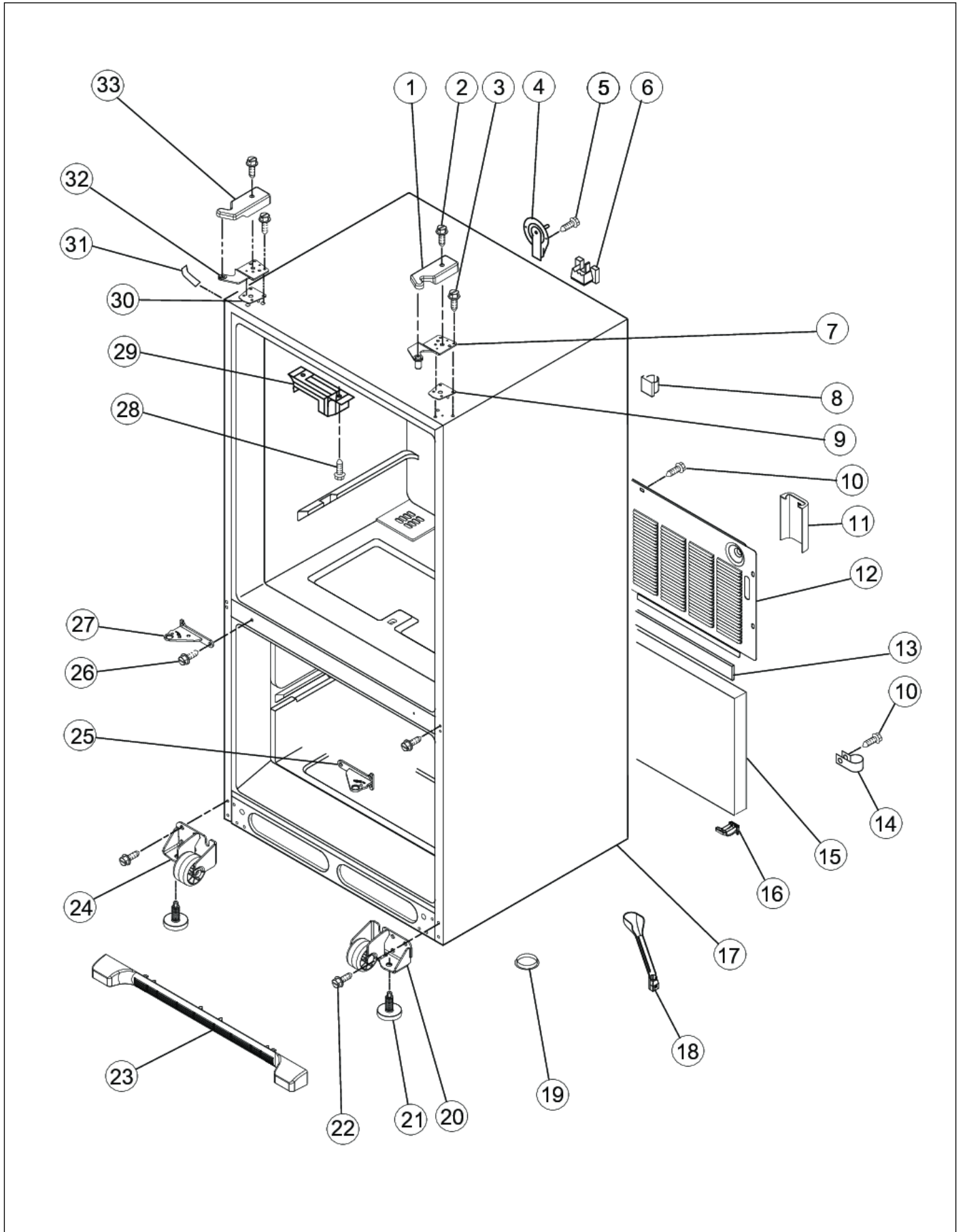
CABINET	1
FZ DOOR	2
FZ LINER	3
ICE MAKER	4
REF DOOR	5
REF LINER	6
SHELF	7
UNIT PART	8
Appendix A:Pages Index	A
Appendix B:Parts Index	B

CABINET





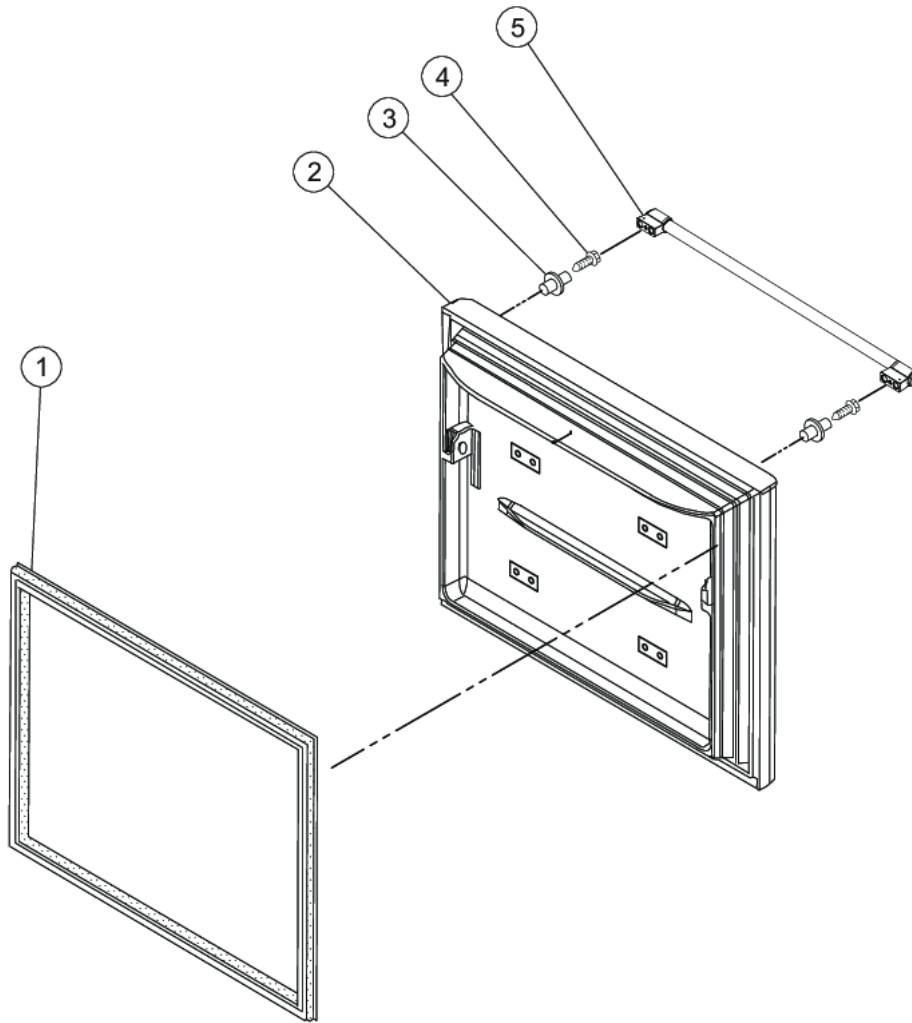
Item	Part No.	Name	Qty	Uom	NOTES
1	034453-000	COVER, RIGHT HINGE, APOLLO GREY	1	EA	
2	034454-000	SCREW	2	EA	
3	021733-000	SCREW	6	EA	
4	021685-000	COVER, WATER LINE	1	EA	Not available online / Call for pricing and availability
5	021711-000	SCREW	1	EA	
6	021688-000	BLOCK, FILL TUBE	1	EA	
7	034455-000	HINGE, TOP RIGHT	1	EA	
8	PS400180	CLIP	2	EA	
9	021939-000	SHIM, TOP HINGE, RIGHT	1	EA	
10	PS400129	SCREW, SMALL (67006425)	10	EA	
11	021820-000	COVER-WATER VALVE	1	EA	
12	021823-000	COVER, UNIT	1	EA	
13	021790-000	GASKET	1	EA	
14	021794-000	CLAMP, TUBE	1	EA	
15	021697-000	INSULATION, SOUND	1	EA	
16	021700-000	SWEEP, DUAL TUBE	1	EA	
17	NOTE	CABINET	1	EA	
17	NOTE	NON-SERVICEABLE		EA	
18	028580-000	P TRAP DRAIN	1	EA	
Comments for Part Num. 028580-000					
bradleysapplianceservice@shaw.ca on Dec 9, 2016					
028580-000 NEW STYLE P-TRAP DRAIN TUBE					
19	PS400097	PLUG, BUTTON	1	EA	
20	021847-000	ROLLER ASSY., FRONT RIGHT	1	EA	
21	011488-000	BRAKE, FOOT	1	EA	
22	021728-000	SCREW	8	EA	
23	PS400103	GRILLE, TOE, BLACK	1	EA	
24	021848-000	ROLLER ASSY., FRONT LEFT	1	EA	
25	034456-000	HINGE, CENTER (RT), STAINLESS	1	EA	





Item	Part No.	Name	Qty	Uom	NOTES
26	039234-000	SCREW, CENTER HINGE	6	EA	
27	034457-000	HINGE, CENTER (LT), STAINLESS	1	EA	
28	021946-000	SCREW	2	EA	
29	034458-000	BLOCK, PIVOT	1	EA	
30	021938-000	SHIM, TOP HINGE, LEFT	1	EA	
31	017004-000	COVER, CORNER, APOLLO GREY	2	EA	
32	034459-000	HINGE, TOP LEFT	1	EA	
33	034460-000	COVER, LEFT HINGE, APOLLO GREY	1	EA	

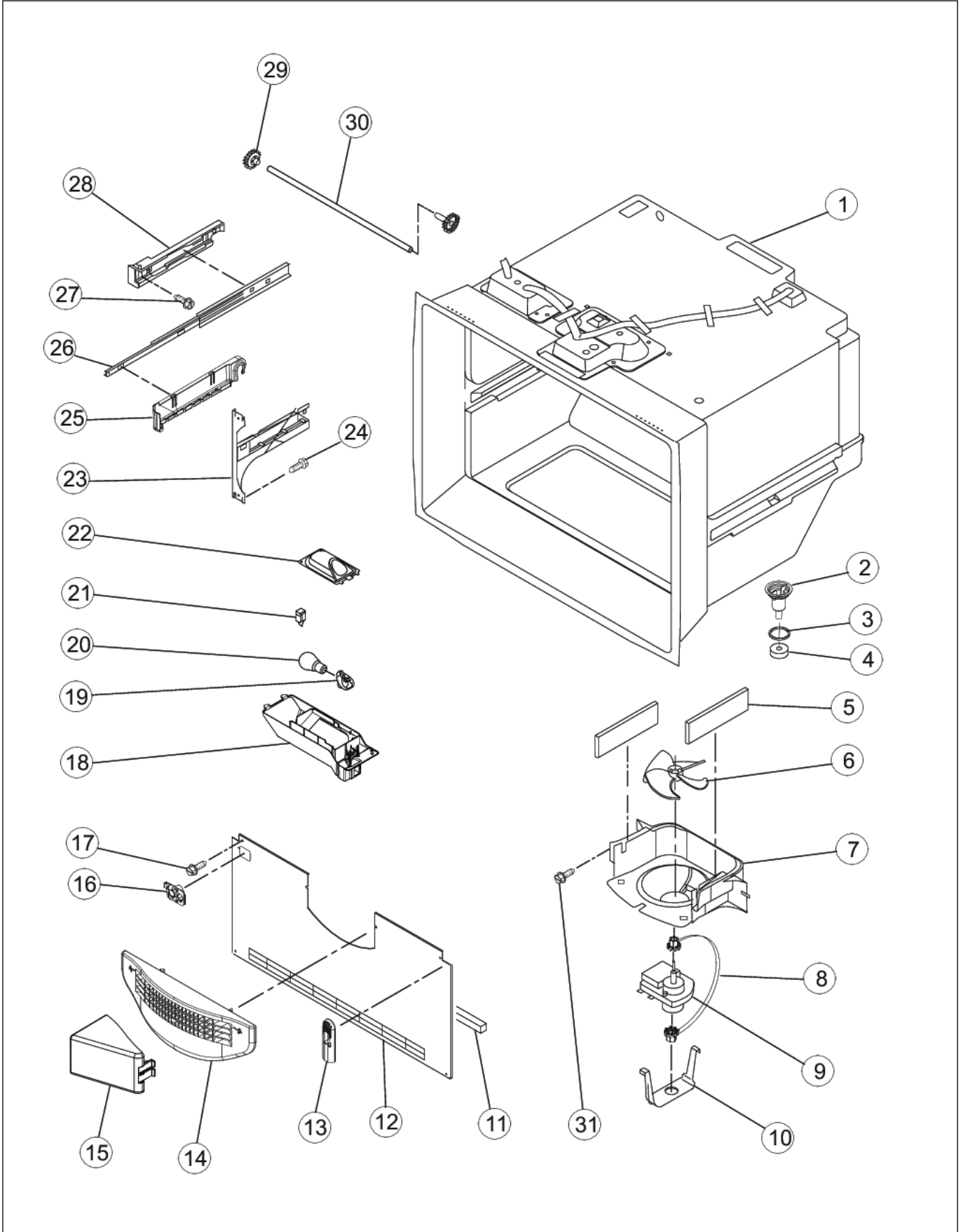
FZ DOOR



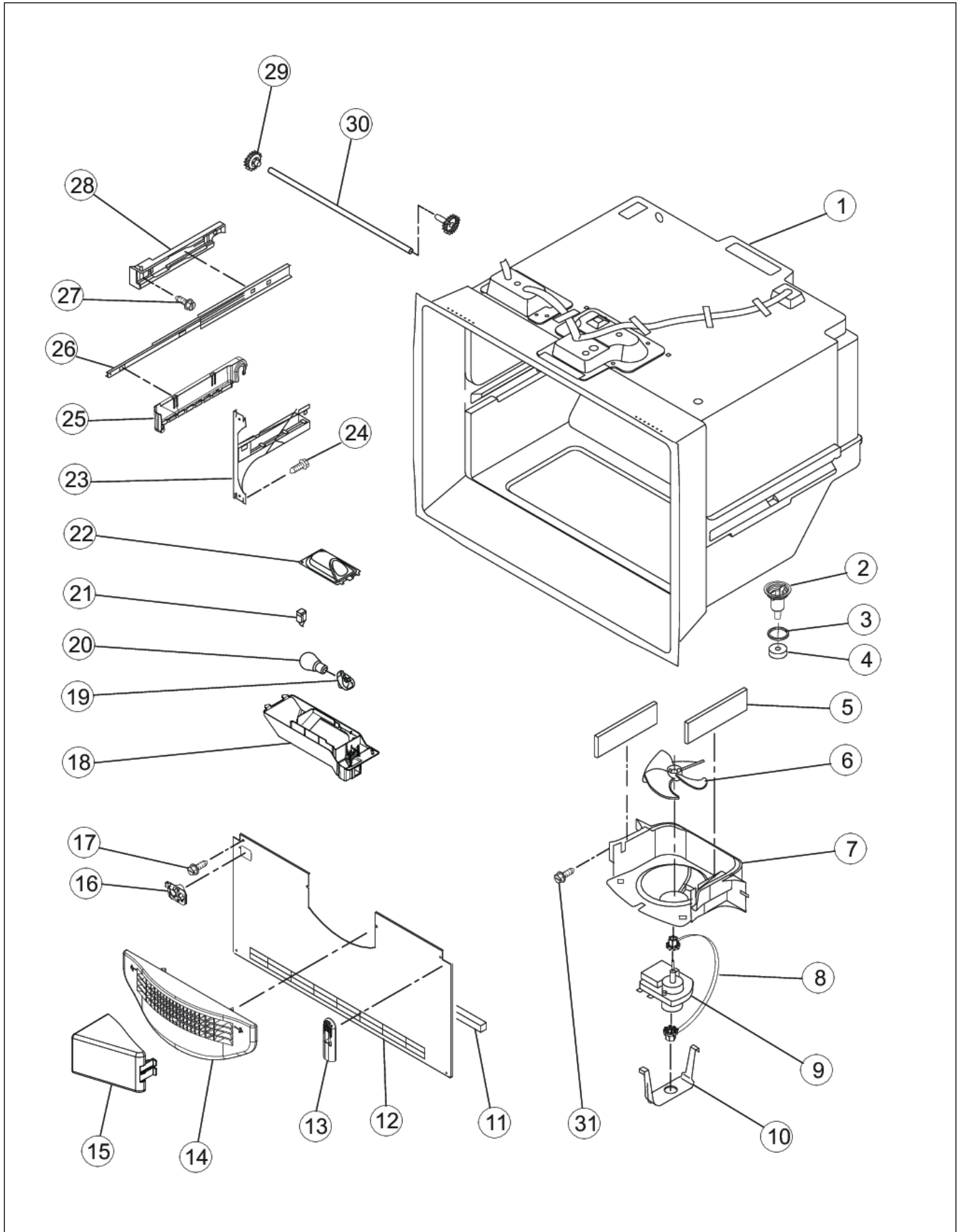


Item	Part No.	Name	Qty	Uom	NOTES
1	021869-000	GASKET, FREEZER DOOR (APOLLO GREY)	1	EA	
2	034493-000	DOOR, FREEZER (SS)	1	EA	
Comments for Part Num. 034493-000					
olsonservice@frontier.com on Apr 8, 2016					
This gasket is black, not grey as shown for the refrigerator section. As far as we can tell, the grey gasket for this freezer is part# 039240-000					
3	021567-000	STUD, HANDLE	2	EA	
4	021598-000	SCREW, HANDLE	2	EA	
5	038403-000	HANDLE, DOOR (STAINLESS)	1	EA	

FZ LINER



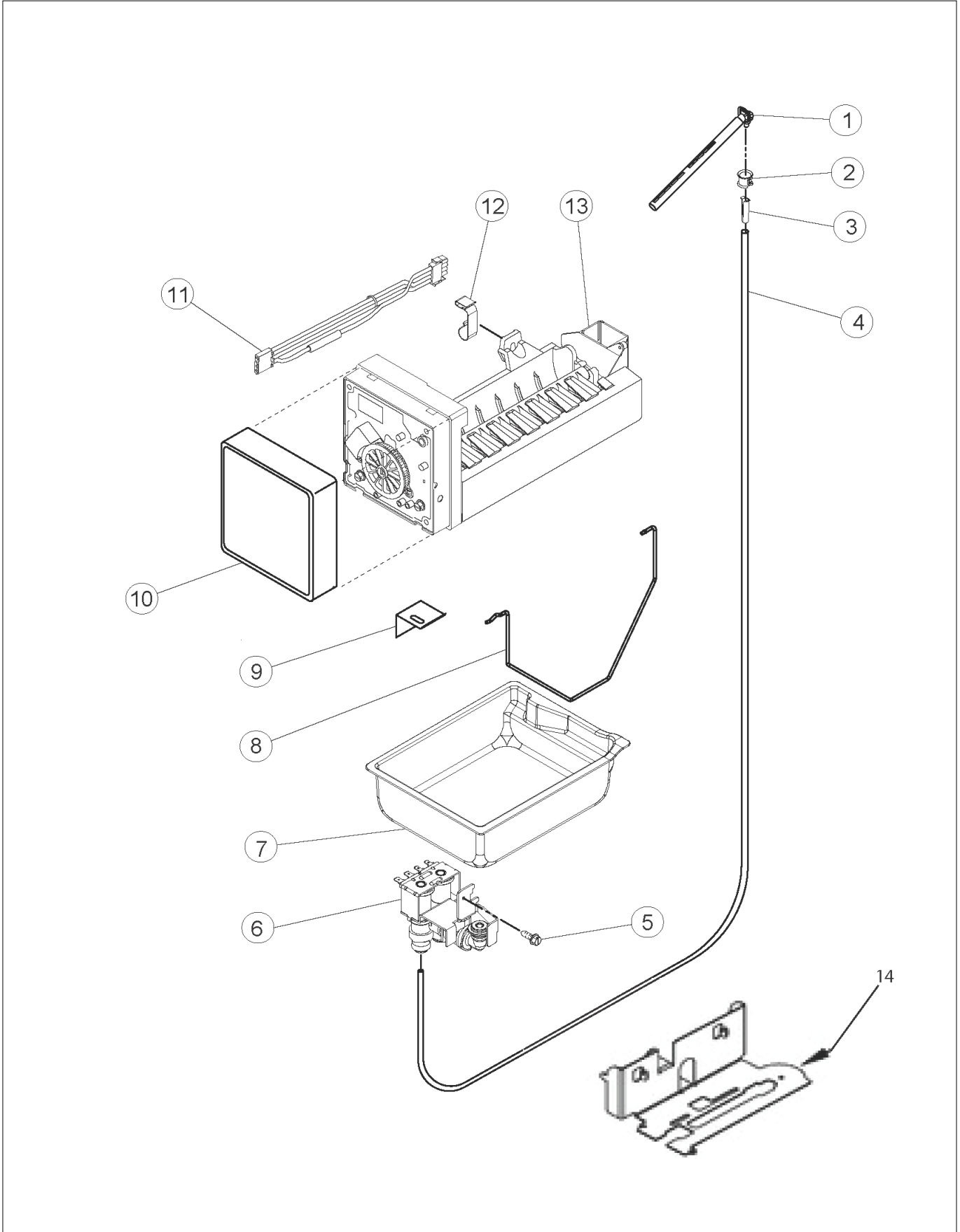
Item	Part No.	Name	Qty	Uom	NOTES
1	NOTE	LINER	1	EA	
1	NOTE	NON-SERVICEABLE		EA	
2	PS400092	FUNNEL, DRAIN	1	EA	
3	PS400091	SEAL, O-RING	1	EA	
4	PS400090	GASKET, DRAIN TUBE	1	EA	
5	021787-000	GASKET, FOAM	1	EA	
6	021741-000	BLADE, FAN (EVAPORATOR)	1	EA	
7	021738-000	SHROUD, EVAPORATOR FAN	1	EA	
8	011508-000	GROMMET	1	EA	
9	PS400139	MOTOR, EVAPORATOR FAN (67003636)	1	EA	
10	021739-000	CLIP, EVAP MOTOR	1	EA	
11	021977-000	GASKET, FOAM	1	EA	
12	034472-000	COVER, EVAPORATOR	1	EA	
13	021696-000	COVER, THERMISTOR	1	EA	
14	021736-000	GRILLE, FZ AIR	1	EA	
15	017115-000	DIVERTER, AIR	1	EA	
16	021704-000	GUIDE, FILL TUBE	1	EA	
17	PS400129	SCREW, SMALL (67006425)	4	EA	
18	034473-000	MODULE, LIGHT	1	EA	
19	021765-000	SOCKET, LIGHT	1	EA	
20	038395-000	BULB, LIGHT	1	EA	
21	021669-000	SWITCH, LIGHT	1	EA	
22	021759-000	HOUSING, LIGHT	1	EA	
23	034474-000	BRACKET, DOOR, LEFT	1	EA	
23	034475-000	BRACKET, DOOR, RIGHT	1	EA	
24	021724-000	SCREW	8	EA	
25	034476-000	CRADLE, BASKET, LEFT	1	EA	
25	034477-000	CRADLE, BASKET, RIGHT	1	EA	
26	021737-000	SLIDE, DRAWER	2	EA	
27	021710-000	SCREW	6	EA	
28	034479-000	ADAPTER, SLIDE, LEFT	1	EA	
28	034480-000	ADAPTER, SLIDE, RIGHT	1	EA	





Item	Part No.	Name	Qty	Uom	NOTES
29	011497-000	GEAR, LT/RT	2	EA	
30	021917-000	SHAFT, RACK	1	EA	
31	021711-000	SCREW	2	EA	
NI	034481-000	HARNESS, FZ MODULE	1	EA	
NI	026692-000	KIT, THERMISTOR REPLACEMENT	1	EA	

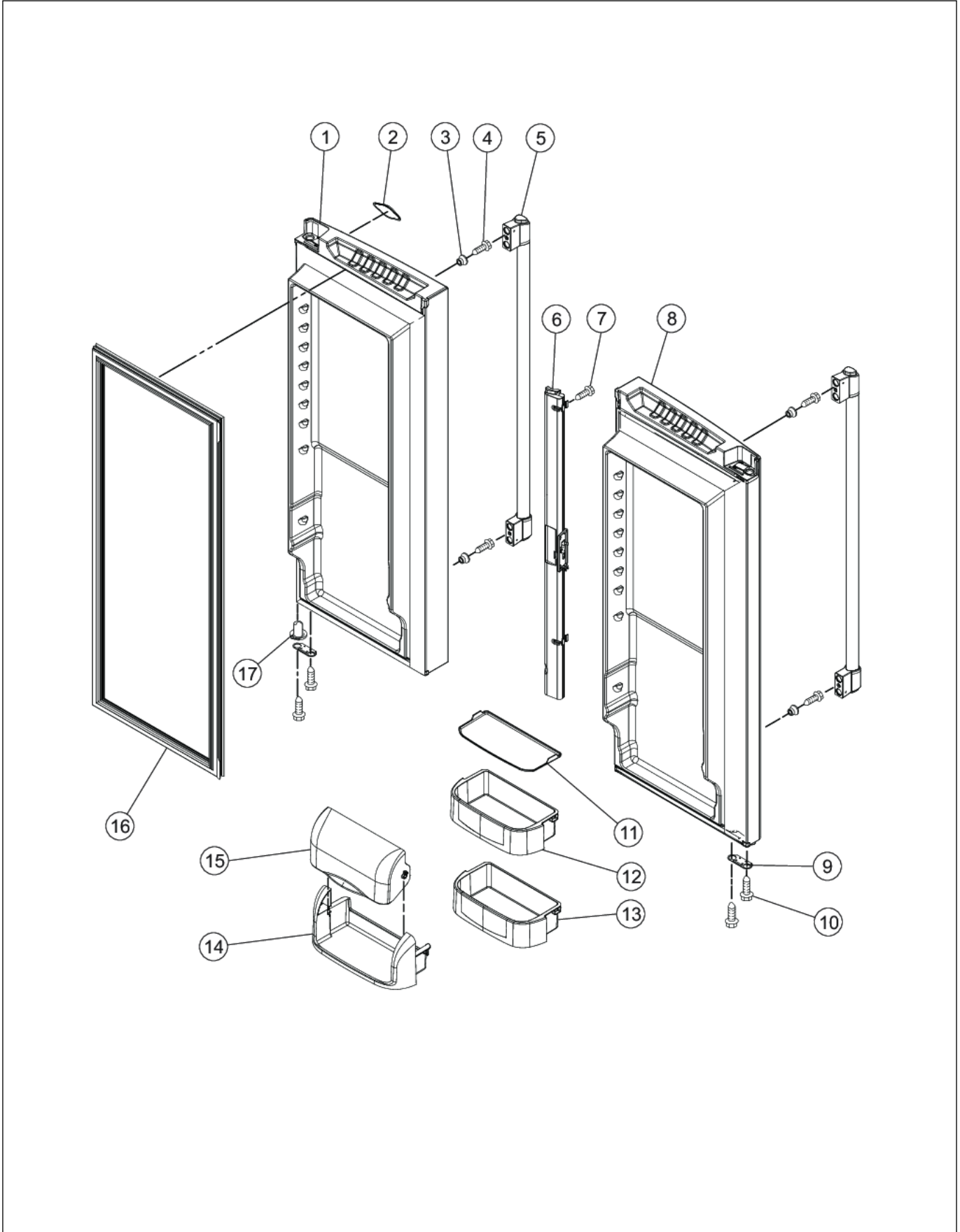
ICE MAKER





Item	Part No.	Name	Qty	Uom	NOTES
1	PS400185	ELBOW, FILL TUBE	1	EA	
2	021795-000	CLIP	1	EA	
3	PS400178	INSERT, TUBE	1	EA	
4	021789-000	TUBING, PLASTIC	1	EA	
5	011587-000	SCREW	1	EA	
6	034536-000	VALVE-INLET	1	EA	
7	034537-000	PAN, ICE	1	EA	
8	034538-000	ARM, SHUTOFF	1	EA	
9	011577-000	BRACKET, ICE MAKER	1	EA	
10	039246-000	COVER, ICE MAKER	1	EA	
11	039247-000	HARNESS, ICE MAKER	1	EA	
12	022170-000	CLAMP	1	EA	
13	034541-000	ICE MAKER ASSY	1	EA	
14	057336-000	ICEMAKER BRACKET	1	EA	

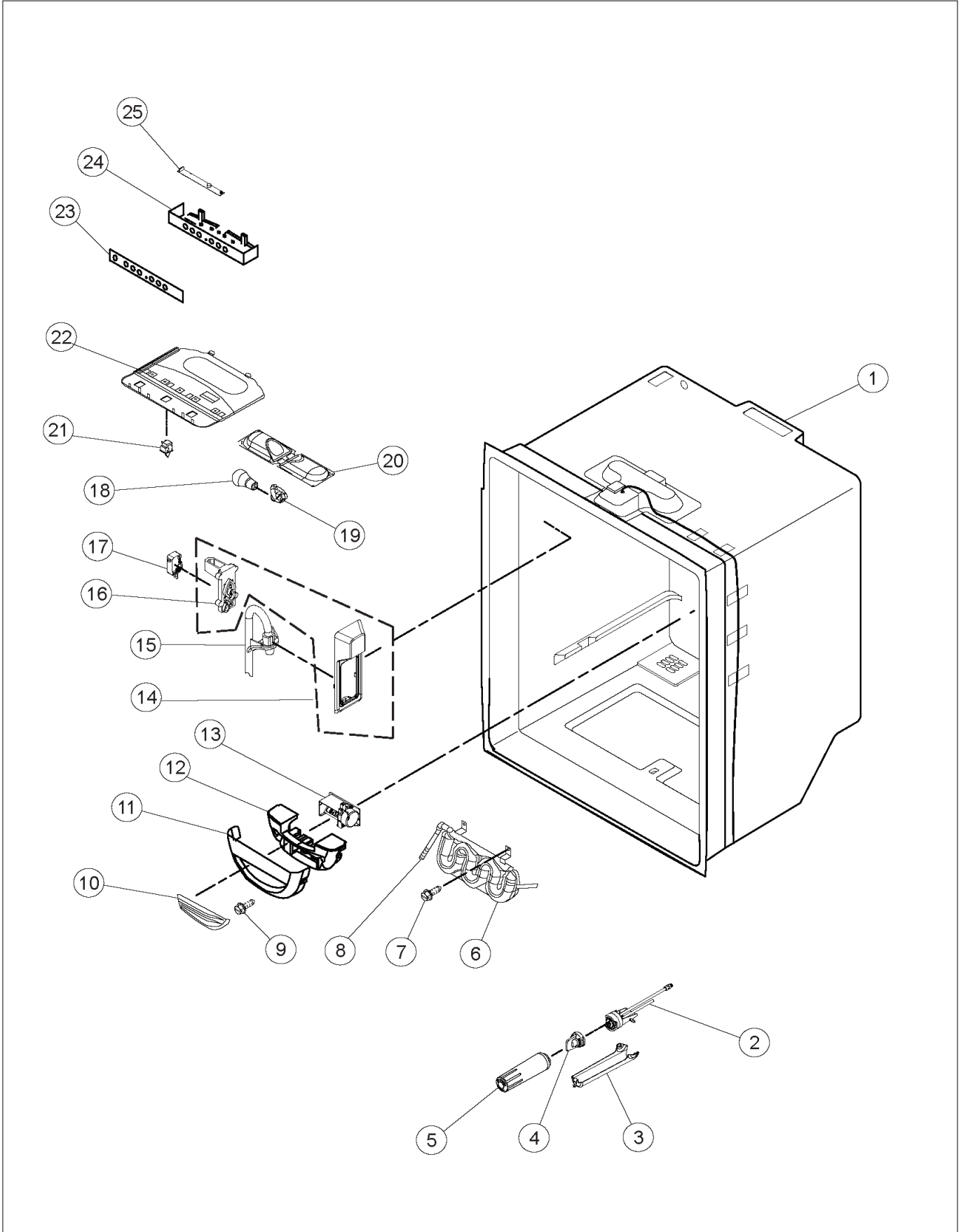
REF DOOR





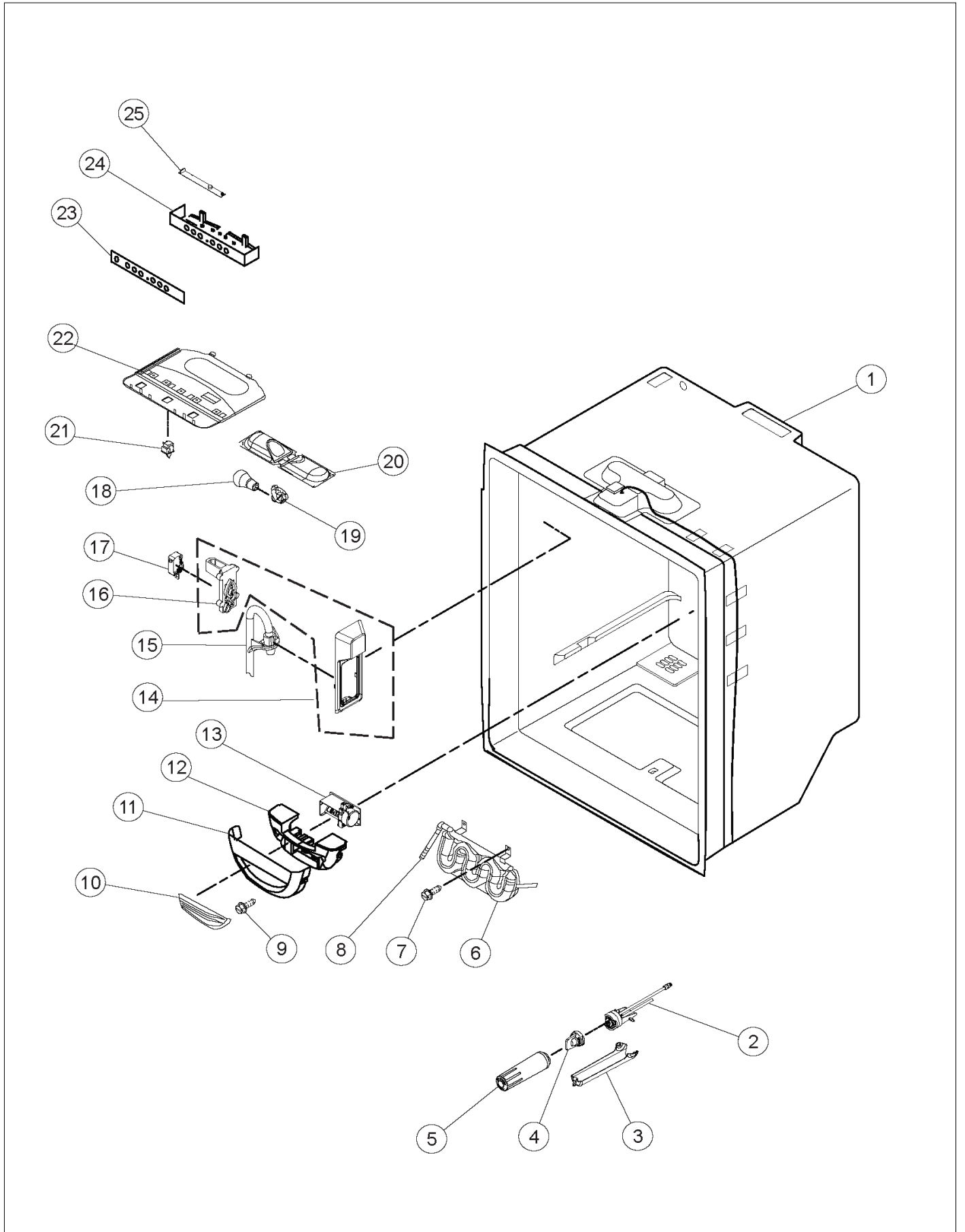
Item	Part No.	Name	Qty	Uom	NOTES
1	034482-000	DOOR, RIGHT, STAINLESS	1	EA	
2	038773-000	NAMEPLATE	1	EA	
3	021567-000	STUD, HANDLE	4	EA	
4	021598-000	SCREW, HANDLE	4	EA	
5	038403-000	HANDLE, DOOR (STAINLESS)	2	EA	
6	034484-000	MULLION, DOOR, APOLLO GREY	1	EA	
7	021708-000	SCREW	1	EA	
8	034485-000	DOOR, LEFT, STAINLESS	1	EA	
9	034486-000	STOP, DOOR, APOLLO GREY	2	EA	
10	021711-000	SCREW	4	EA	
11	034487-000	GRIPPER, MEDIUM BUCKET	3	EA	
12	034488-000	BUCKET, MEDIUM	3	EA	
13	034489-000	BUCKET, GALLON	2	EA	
14	021758-000	TRAY, DAIRY	1	EA	
15	034490-000	DOOR, DAIRY	1	EA	
16	039239-000	GASKET, DOOR, APOLLO GREY	2	EA	
17	021860-000	CLOSURE, DOOR, APOLLO GREY	2	EA	
NI	034492-000	GRIPPER, GALLON BUCKET	2	EA	

REF LINER





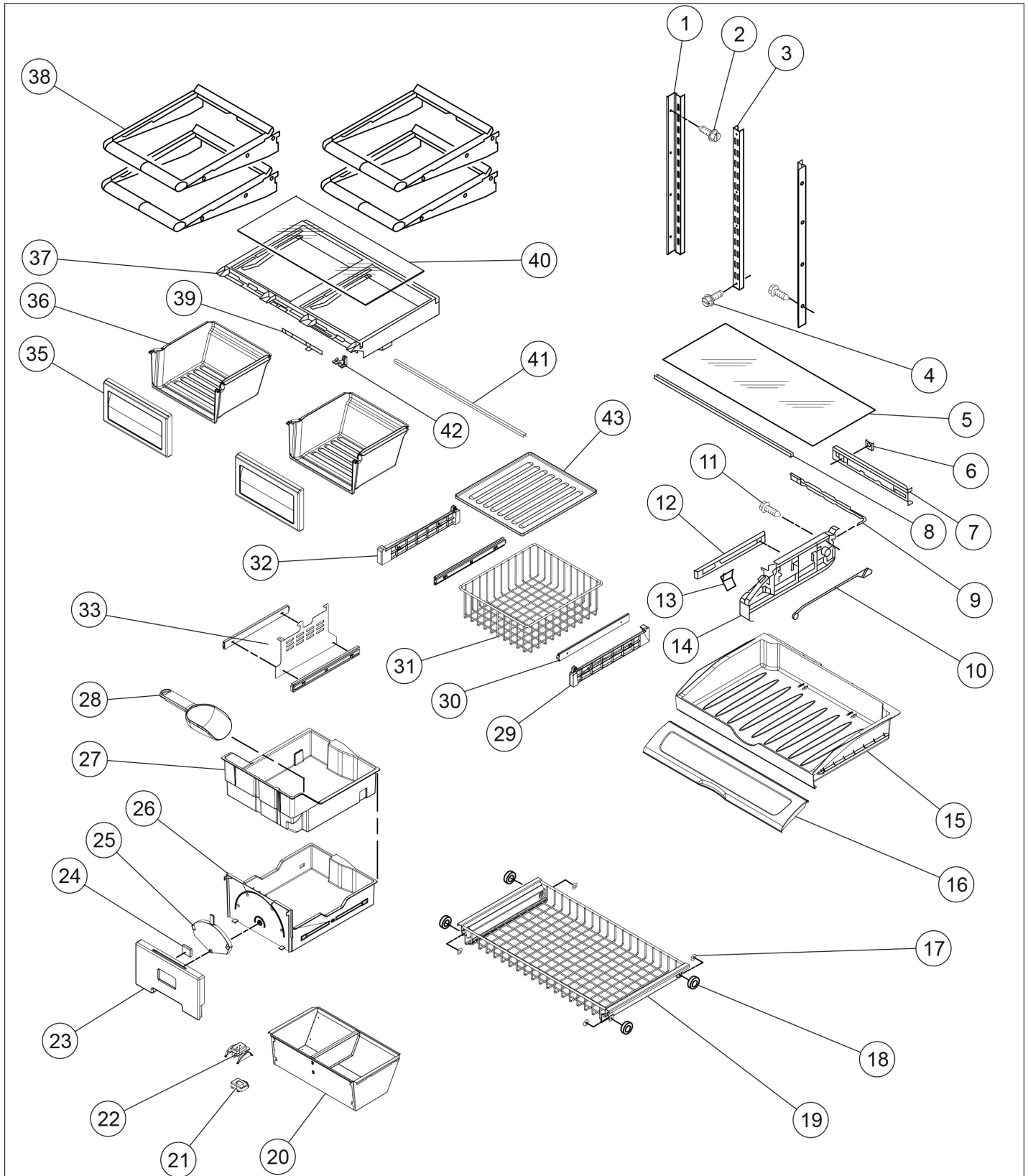
Item	Part No.	Name	Qty	Uom	NOTES
1	Non Replaceable	REFRIGERATOR LINER	1	EA	
2	034461-000	HEAD, WATER FILTER	1	EA	
3	034462-000	COVER, FILTER	1	EA	
4	022157-000	PLUG, BYPASS	1	EA	
5	034463-000	FILTER, WATER	1	EA	
6	PS400039	WATER TANK (W10153959)	1	EA	
7	021711-000	SCREW	1	EA	
8	PS400040	UNION (5/16 X 5/16)	1	EA	
9	021725-000	SCREW	1	EA	Not available online / Call for pricing and availability
10	021695-000	INSERT, DAMPER COVER	1	EA	
11	021694-000	COVER, DAMPER	1	EA	
12	021735-000	INSULATION	1	EA	
13	021819-000	CONTROL, DAMPER	1	EA	
14	034464-000	FACADE, DISPENCER	1	EA	
15	034465-000	WATERLINE, DISPENSER	1	EA	
16	N/P	Plunger Switch	1	EA	
Not Shown	NOTE	(MUST ORDER ITEM 14)		EA	
17	PS400279	LIMIT SWITCH (12575502)	1	EA	
18	021955-000	BULB, LIGHT	2	EA	
19	021765-000	SOCKET, LIGHT	2	EA	
20	034467-000	HOUSING, LIGHT	1	EA	
21	PS400340	SWITCH, REFRIGERATOR LIGHT (12466104)	2	EA	
22	039236-000	MODULE, LIGHT	1	EA	Not available online / Call for pricing and availability
23	039237-000	OVERLAY	1	EA	
24	039238-000	HOUSING, CONTROL	1	EA	
25	034470-000	BOARD, CONTROL	1	EA	





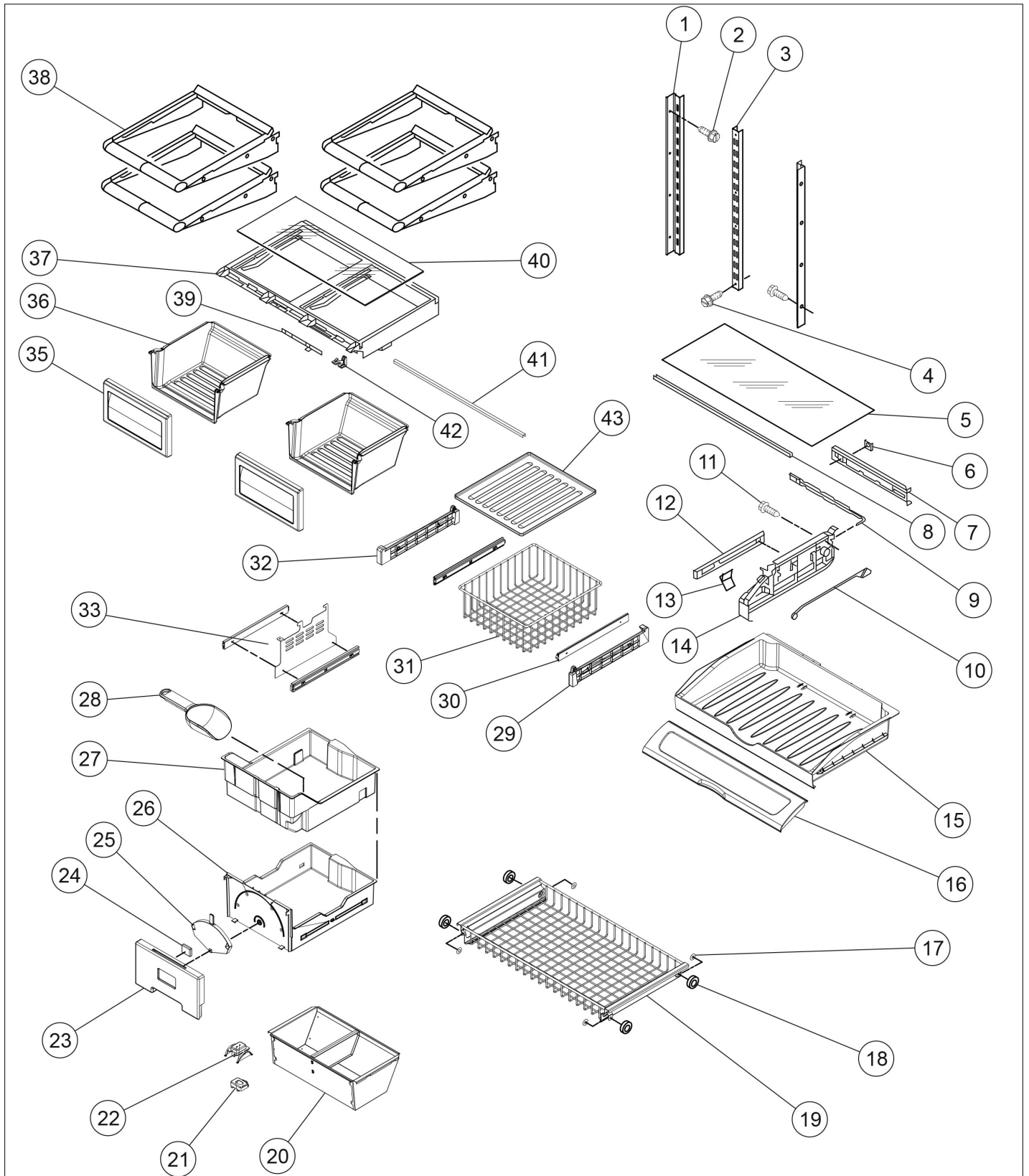
Item	Part No.	Name	Qty	Uom	NOTES
<p>Comments for Part Num. 034470-000</p> <p>JREXEC02@AOL.COM on Aug 23, 2018</p> <p>Need to include instructions on how to program it.</p>					
NI	034471-000	HARNESS, CONTROL (INCLUDES THERMISTOR)	1	EA	

SHELF





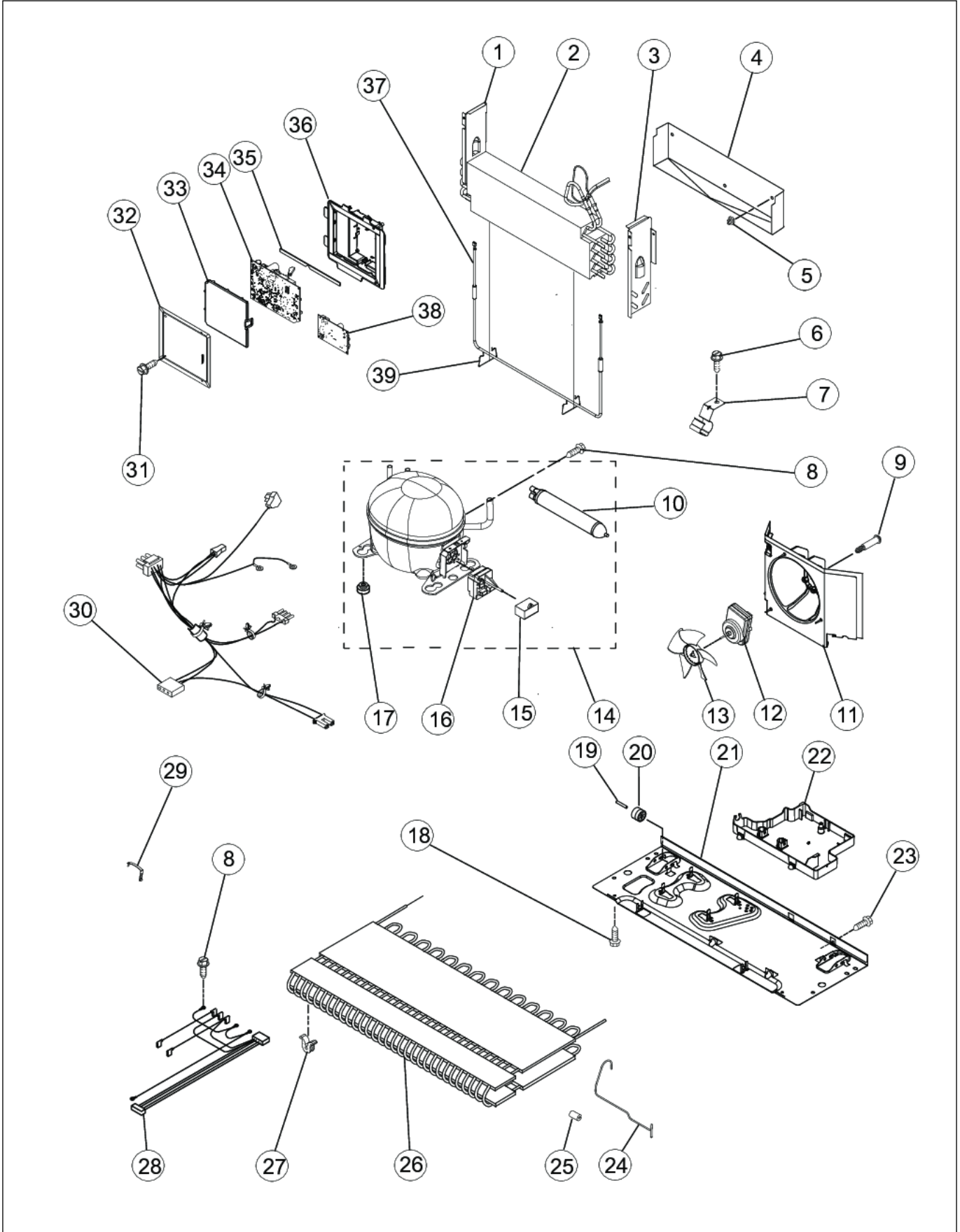
Item	Part No.	Name	Qty	Uom	NOTES
1	021838-000	LADDER, RH / LH	2	EA	Not available online / Call for pricing and availability
2	PS400129	SCREW, SMALL (67006425)	6	EA	
3	021846-000	LADDER, CENTER	1	EA	
4	021723-000	SCREW	1	EA	
5	021911-000	GLASS, PANTRY	1	EA	
6	021678-000	GASKET, PANTRY	1	EA	
7	021677-000	HOUSING, CONTROL	1	EA	
8	021756-000	BRACE, PANTRY	1	EA	
9	021676-000	SLIDE TEMPERATURE	1	EA	
10	021675-000	ROD, TEMP CONTROL	1	EA	
11	021711-000	SCREW	4	EA	
12	034503-000	GLIDE, DRAWER LEFT	1	EA	
12	034504-000	GLIDE, DRAWER RIGHT	1	EA	
13	021771-000	KNOB, TEMP CONTROL	1	EA	
14	034505-000	END CAP, PANTRY LEFT	1	EA	
14	034506-000	END CAP, PANTRY RIGHT	1	EA	
15	034507-000	DRAWER, PANTRY	1	EA	
16	034508-000	DOOR, PANTRY DRAWER	1	EA	
17	034509-000	NUT, BASKET ROLLER	1	EA	
18	034510-000	ROLLER, BASKET	1	EA	
19	034511-000	BASKET, MIDDLE	1	EA	
20	034512-000	BIN ASSEMBLY	1	EA	
21	034513-000	HOUSING, COUPLER	1	EA	
22	034514-000	LATCH, COUPLER	1	EA	
23	034515-000	FRONT, ICE PAN	1	EA	
24	034516-000	LATCH, MAGNET	1	EA	
25	034517-000	LEVER, ICE PAN	1	EA	
26	034518-000	CARRIER, ICE PAN	1	EA	
27	034519-000	PAN, ICE	1	EA	
28	034520-000	SCOOP, ICE PAN	1	EA	
29	034521-000	ADAPTER BASKET, RIGHT	1	EA	



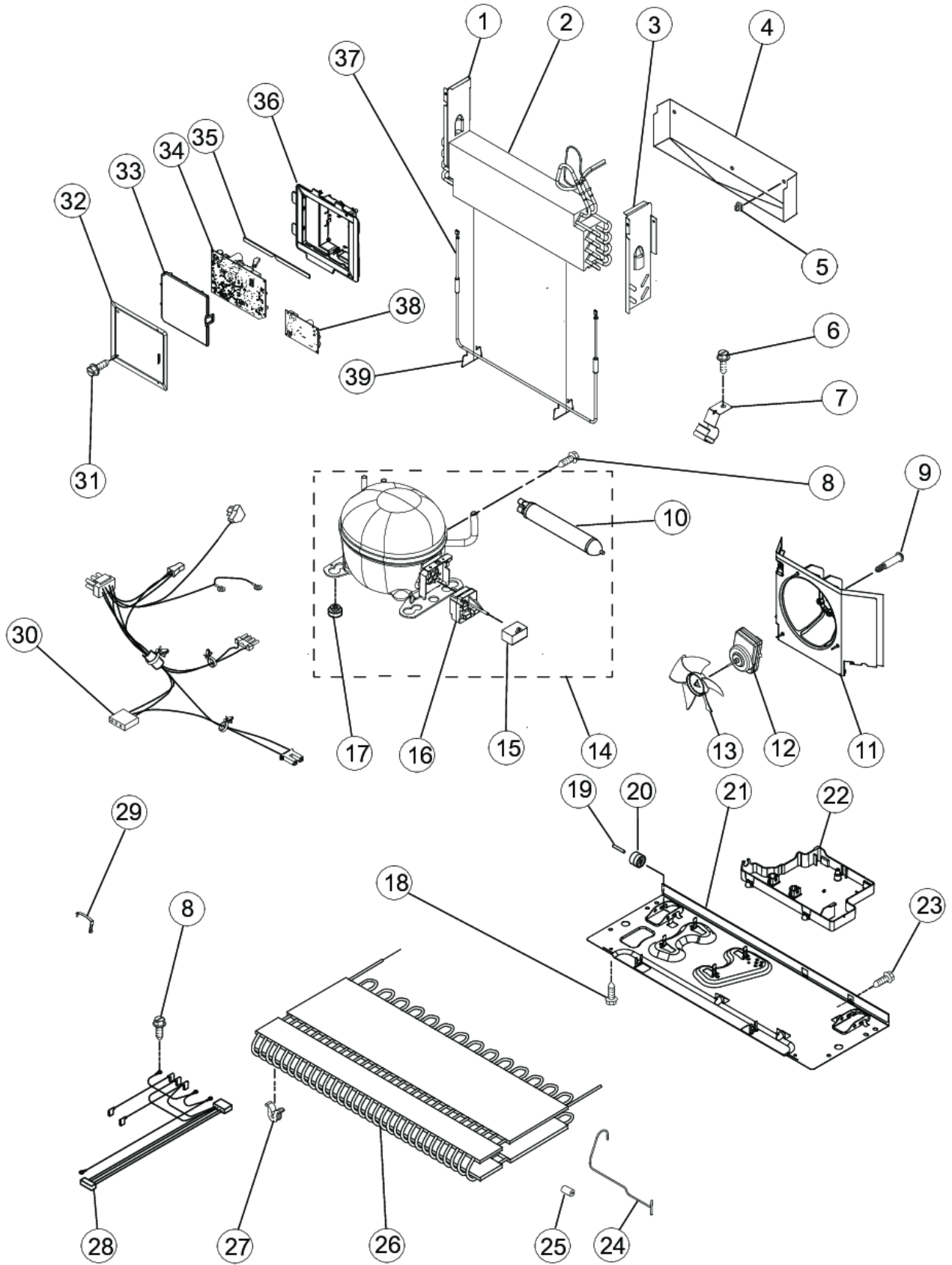


Item	Part No.	Name	Qty	Uom	NOTES
30	034522-000	GLIDE, UPPER BASKET	2	EA	
31	034523-000	BASKET, UPPER	1	EA	
32	034524-000	ADAPTER BASKET, LEFT	1	EA	
33	061015-000	PAN GLIDE and SUPPORT, FZ DOOR	1	EA	
35	039244-000	FRONT, CRISPER	2	EA	
36	034528-000	CRISPER PAN	2	EA	
37	034529-000	FRAME, CRISPER	1	EA	
38	034530-000	SHELF, STATIONARY	4	EA	
39	034531-000	SLIDE, HUMIDITY CONTROL	1	EA	
40	034532-000	GLASS, CRISPER COVER	1	EA	
41	034533-000	BRACE, CRISPER	1	EA	
42	034534-000	SLIDE, HUMIDITY CONTROL	2	EA	
43	034535-000	MAT, UPPER BASKET	1	EA	

UNIT PART



Item	Part No.	Name	Qty	Uom	NOTES
1	021665-000	DAM, LEFT SIDE	1	EA	
2	026689-000	EVAPORATOR	1	EA	
3	021666-000	DAM, RIGHT SIDE	1	EA	
4	021885-000	TRAY, DRIP	1	EA	
5	PS400124	CLIP, EVAPORATOR	1	EA	Not available online / Call for pricing and availability
6	021726-000	SCREW	1	EA	
7	022725-000	CLIP, DRIER	1	EA	
8	021731-000	SCREW	1	EA	
9	021824-000	SCREW, SHOULDER	1	EA	
10	021799-000	DRIER	1	EA	
11	021810-000	SHROUD	1	EA	
12	021893-000	MOTOR, FAN	1	EA	
13	021699-000	BLADE, FAN	1	EA	
14	028673-000	COMPRESSOR	1	EA	
15	021661-000	CAPACITOR	1	EA	
16	039242-000	START DEVICE	1	EA	
17	021750-000	GROMMET	4	EA	
18	021743-000	SCREW	1	EA	
19	021671-000	AXLE, ROLLER	2	EA	
20	021670-000	ROLLER	2	EA	
21	038452-000	BASEPAN	1	EA	
22	021853-000	PAN, DRAIN	1	EA	
23	PS400129	SCREW, SMALL (67006425)	1	EA	
24	028675-000	TUBE, DISCHARGE	1	EA	
25	021551-000	GROMMET, CONDENSER	1	EA	
26	028348-000	CONDENSER	1	EA	
27	011560-000	GROMMET, COND	4	EA	
28	034497-000	HARNES, EVAP. HEATER (INCLUDES DEFROST TERMINATOR)	1	EA	
29	034498-000	STRAP, BALE	1	EA	
30	039243-000	HARNES, UNIT WITH POWER CORD	1	EA	





Item	Part No.	Name	Qty	Uom	NOTES
31	021727-000	SCREW	1	EA	
32	021707-000	COVER-CONTROL BOX	1	EA	
33	021933-000	LID, HV BOX	1	EA	
34	034500-000	BOARD, CONTROL	1	EA	
35	021706-000	GASKET, HV BOX	1	EA	
36	034501-000	BOX, HV CONTROL	1	EA	
37	021687-000	HEATER, DEFROST	1	EA	
38	034502-000	BOARD, POWER	1	EA	
39	011548-000	CLIP, HEATER - SUBS TO 10428101	2	EA	



Appendix A:Pages Index

CABINET 1
FZ DOOR 2
FZ LINER 3
ICE MAKER 4
REF DOOR 5
REF LINER 6
SHELF 7
UNIT PART 8



Appendix B:Parts Index

011488-000	1	021726-000	8
011497-000	3	021727-000	8
011508-000	3	021728-000	1
011548-000	8	021731-000	8
011560-000	8	021733-000	1
011577-000	4	021735-000	6
011587-000	4	021736-000	3
017004-000	1	021737-000	3
017115-000	3	021738-000	3
021551-000	8	021739-000	3
021567-000	2, 5	021741-000	3
021598-000	2, 5	021743-000	8
021661-000	8	021750-000	8
021665-000	8	021756-000	7
021666-000	8	021758-000	5
021669-000	3	021759-000	3
021670-000	8	021765-000	3, 6
021671-000	8	021771-000	7
021675-000	7	021787-000	3
021676-000	7	021789-000	4
021677-000	7	021790-000	1
021678-000	7	021794-000	1
021685-000	1	021795-000	4
021687-000	8	021799-000	8
021688-000	1	021810-000	8
021694-000	6	021819-000	6
021695-000	6	021820-000	1
021696-000	3	021823-000	1
021697-000	1	021824-000	8
021699-000	8	021838-000	7
021700-000	1	021846-000	7
021704-000	3	021847-000	1
021706-000	8	021848-000	1
021707-000	8	021853-000	8
021708-000	5	021860-000	5
021710-000	3	021869-000	2
021711-000	1, 3, 5, 6, 7	021885-000	8
021723-000	7	021893-000	8
021724-000	3	021911-000	7
021725-000	6	021917-000	3
		021933-000	8



021938-000	1	034485-000	5
021939-000	1	034486-000	5
021946-000	1	034487-000	5
021955-000	6	034488-000	5
021977-000	3	034489-000	5
022157-000	6	034490-000	5
022170-000	4	034492-000	5
022725-000	8	034493-000	2
026689-000	8	034497-000	8
026692-000	3	034498-000	8
028348-000	8	034500-000	8
028580-000	1	034501-000	8
028673-000	8	034502-000	8
028675-000	8	034503-000	7
034453-000	1	034504-000	7
034454-000	1	034505-000	7
034455-000	1	034506-000	7
034456-000	1	034507-000	7
034457-000	1	034508-000	7
034458-000	1	034509-000	7
034459-000	1	034510-000	7
034460-000	1	034511-000	7
034461-000	6	034512-000	7
034462-000	6	034513-000	7
034463-000	6	034514-000	7
034464-000	6	034515-000	7
034465-000	6	034516-000	7
034467-000	6	034517-000	7
034470-000	6	034518-000	7
034471-000	6	034519-000	7
034472-000	3	034520-000	7
034473-000	3	034521-000	7
034474-000	3	034522-000	7
034475-000	3	034523-000	7
034476-000	3	034524-000	7
034477-000	3	034528-000	7
034479-000	3	034529-000	7
034480-000	3	034530-000	7
034481-000	3	034531-000	7
034482-000	5	034532-000	7
034484-000	5	034533-000	7



034534-000 7
034535-000 7
034536-000 4
034537-000 4
034538-000 4
034541-000 4
038395-000 3
038403-000 2, 5
038452-000 8
038773-000 5
039234-000 1
039236-000 6
039237-000 6
039238-000 6
039239-000 5
039242-000 8
039243-000 8
039244-000 7
039246-000 4
039247-000 4
057336-000 4
061015-000 7
Non Replaceable 6
PS400039 6
PS400040 6
PS400090 3
PS400091 3
PS400092 3
PS400097 1
PS400103 1
PS400124 8
PS400129 1, 3, 7, 8
PS400139 3
PS400178 4
PS400180 1
PS400185 4
PS400279 6
PS400340 6