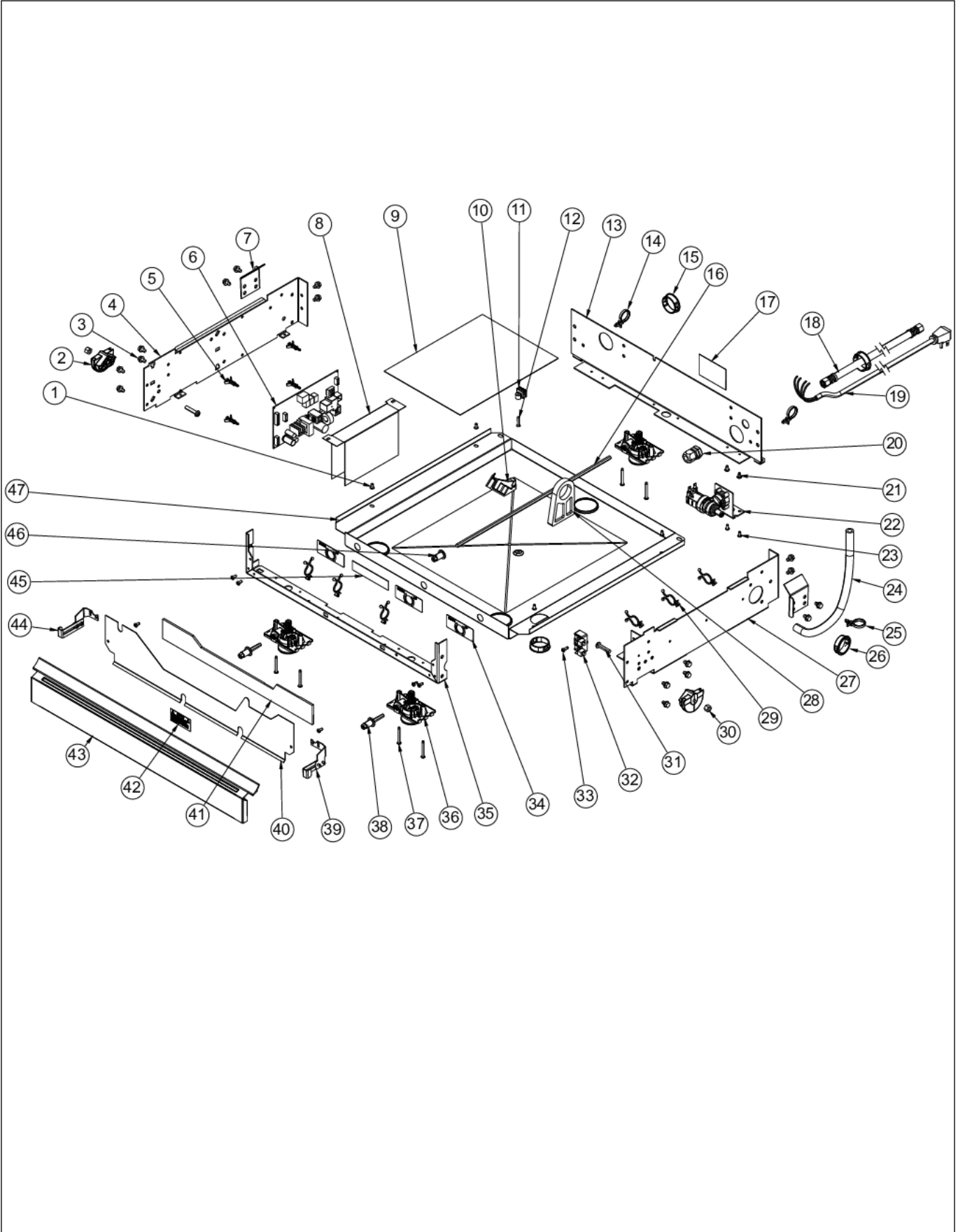


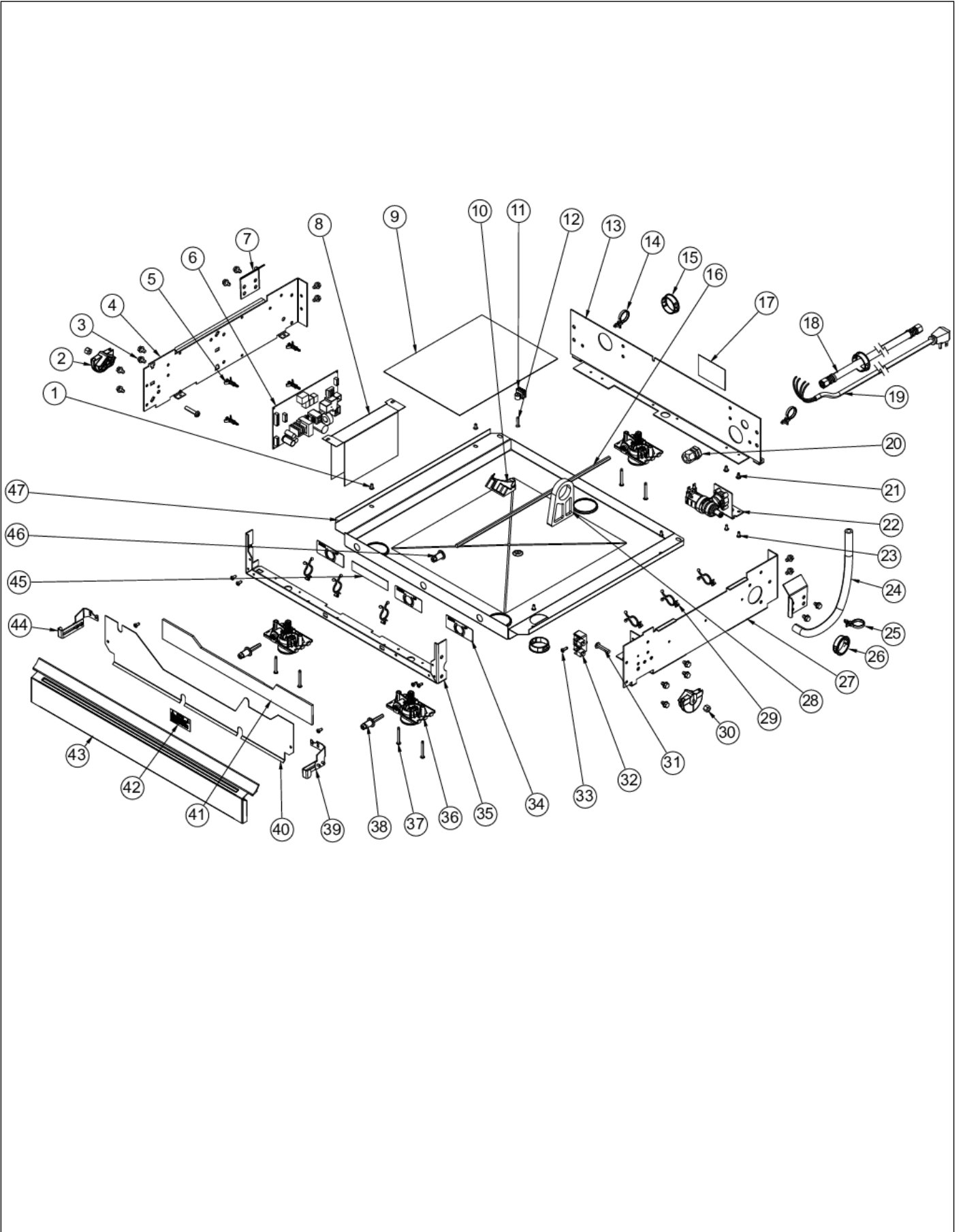
RDDDB301

BASE	1
BASKETS	2
BOTTOM WELL	3
CABINET AREA	4
CONTROL PANEL	5
DOOR	6
WASH SYSTEM	7
WIRING	8
Appendix A:Pages Index	A
Appendix B:Parts Index	B

BASE

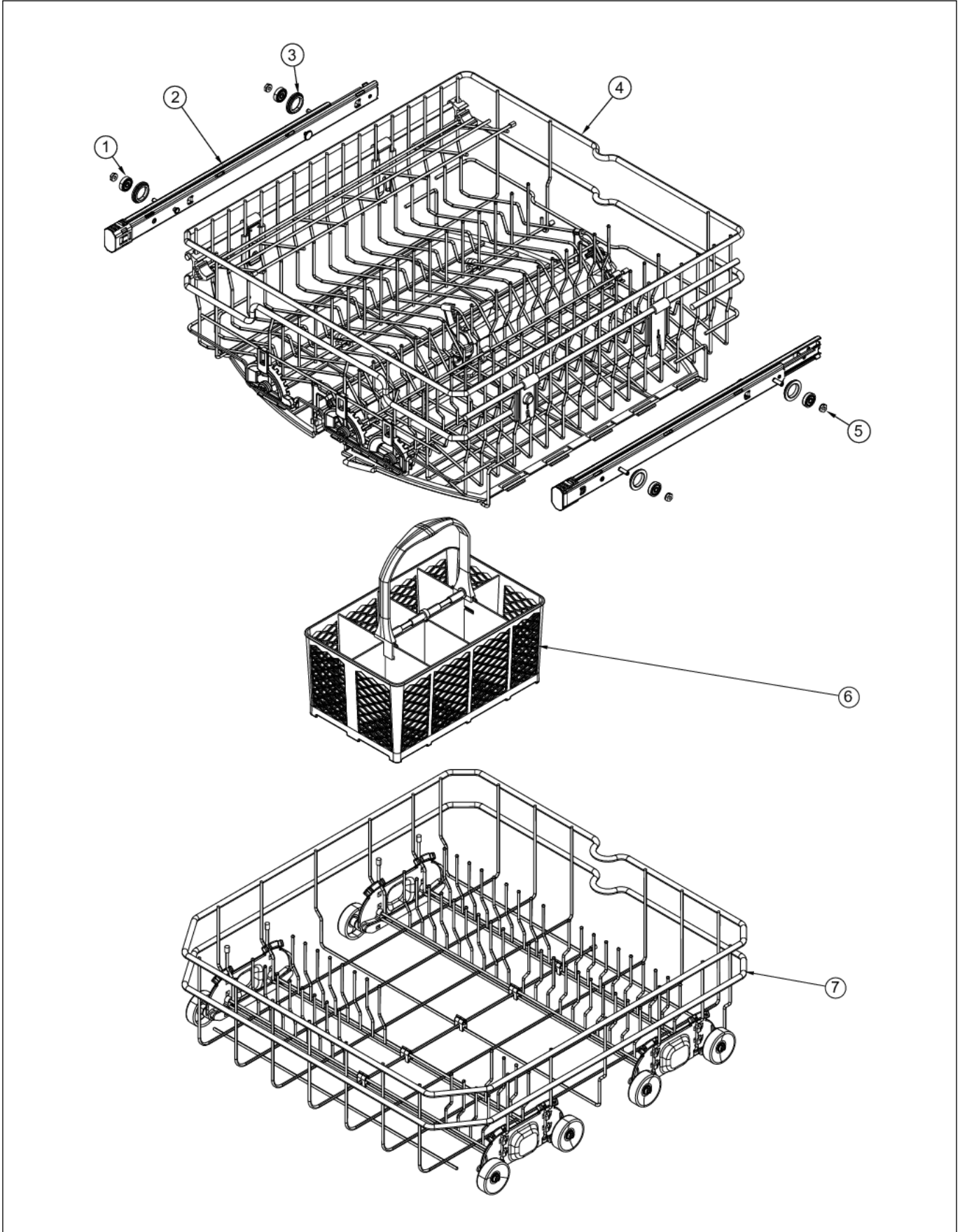


Item	Part No.	Name	Qty	Uom	NOTES
1	PD020249	SCREW, #8-18 X 3/8, TYPE B, TORX, PAN HEAD, ZINC, BLUNT	6	EA	
2	PM810488	DOOR DAMPENER PULLEY	2	EA	
3	PD020255	1/4-20 X 3/8 HEX WSHR THD CUT ZINC	16	EA	
4	032445-000	BASE, SIDE, LEFT, 201/351	1	EA	
5	016332-000	CIRCUIT BOARD, NYLON, G60 SHIELD	4	EA	
6	031421-000	CONTROLLER, MACHINE, DISHWASHER-ELAN'	1	EA	
7	023975-000	CLAMP, TUB, REAR	2	EA	
8	PB070338	SHIELD, DIELECTRIC	1	EA	
9	NON-SERVICEABLE	DECAL, WIRING DIAGRAM-201/301	1	EA	
10	000380-000	SUPPORT, MOTOR	1	EA	
11	PE050229	FLOOD SENSOR	1	EA	
12	PD020236	SCREW, #8 - 16 X 3/4, TORX, FLAT HEAD, HI-LO, 304SS	1	EA	
13	024041-000	BRACKET, BASE, REAR	1	EA	
14	006575-000	TIE WRAP	2	EA	
15	PD040163	BUSHING, POWER CORD	3	EA	
16	PM810495	HEX BAR	1	EA	
17	017130-000	MAXIMUM DEPTH INSTALLATION STICKER	1	EA	Not available online / Call for pricing and availability
18	007564-000	HOSE, WATER FILL, 5-FOOT	1	EA	
19	005033-000	POWER CORD-90 DEGREE	1	EA	
20	PE070209	STRAIN RELIEF	1	EA	Not available online / Call for pricing and availability
21	PD020263	SCREW; 10-32 x 5/8 TORX, FLAT HD, MACHINE, 18-8SS	2	EA	
22	029377-000	WATER VALVE ASSEMBLY S-101D	1	EA	
23	PD020249	SCREW, #8-18 X 3/8, TYPE B, TORX, PAN HEAD, ZINC, BLUNT	5	EA	
24	034959-000	HOSE, 12" INL. VALVE TO AIR/ WATER INLET	1	EA	



Item	Part No.	Name	Qty	Uom	NOTES
25	006575-000	TIE WRAP	1	EA	
26	PD040163	BUSHING, POWER CORD	1	EA	
27	032444-000	BASE, RIGHT SIDE, WELD ASSY- 201/301	1	EA	
28	000370-000	MOUNT, MOTOR	1	EA	NO LONGER AVAILABLE
29	001796-000	RETAINER, HARNESS	6	EA	
30	PD030179	1/4-20 HEX NYLON INSERT LOCK NUT	2	EA	
31	PD020265	1/4-20 x 1 1/4 TORX PAN HD MACHINE SCREW	2	EA	
32	PE070708	TERMINAL BLOCK	1	EA	
33	003655-000	#8-32 X 1/4 FLAT 18-8 PASSIVATED MACHINE TORX	1	EA	
34	PF031283	LABEL, LEVELING ARROWS	3	EA	
35	019591-000	FRONT BASE BRACKET ASSY	1	EA	
36	G5088830	LEG LEVELING SYSTEM ASSEMBLY	3	EA	
37	PD020215	SCREW, TYPE F, PAN, TORX, ZINC, 8-32 X 1.5", BLUNT	6	EA	
38	PK830366	HEX HEAD ADJUSTER, REAR	2	EA	
39	010851-000	BRACKET, ADJUSTABLE TOE KICK, RIGHT, ASSY	1	EA	
40	035138-000	PANEL, BASE, FR, BR	1	EA	
41	031863-000	BITUMEN, PANEL, FR, 3.875	1	EA	NOT FIELD REPLACEABLE
42	032718-000	LABEL, WARNINIG, KICK PLATE	1	EA	
43	017249-000	KICKPLATE, BLACK, ASSY	1	EA	
44	010850-000	BRACKET, ADJUSTABLE TOE KICK, LEFT, ASSY	1	EA	
45	032720-000	LABEL, CAUTION, LEVELING LEGS	1	EA	
46	PK830366	HEX HEAD ADJUSTER, REAR	1	EA	
47	024147-000	PAN, BASE, BOTTOM	1	EA	

BASKETS



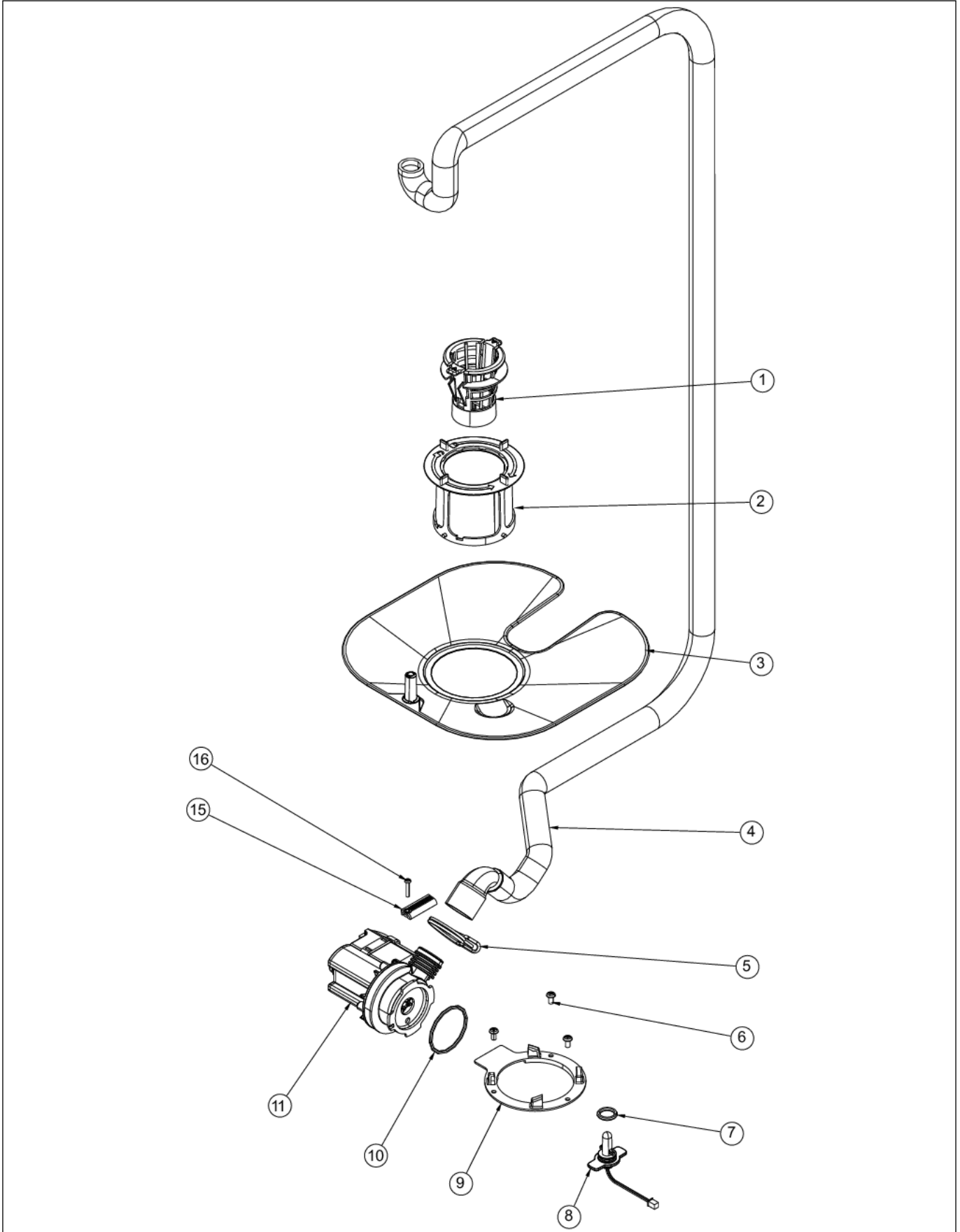


Item	Part No.	Name	Qty	Uom	NOTES
1	PK030448	RACK SLIDE SPACER	4	EA	
2	037726-000	SLIDE, RACK ASSY- W/END CAP	2	EA	
3	PK030536	SLEEVE, SPACER	4	EA	
4	035210-000	UPPER RACK ASSEMBLY-301	1	EA	
5	PD030044	10-24 KEPS NUT *SS*	4	EA	
6	G5088897	SILVERWARE BASKET ASSEMBLY	1	EA	
7	035340-000	ULTRA PREMIUM LOWER RACK ASSY - 301	1	EA	

Comments for Part Num. 035340-000

bradleysapplianceservice@shaw.ca on Sep 14, 2017
SUBS TO: 035340-000 LOWER RACK ASSEMBLY 325

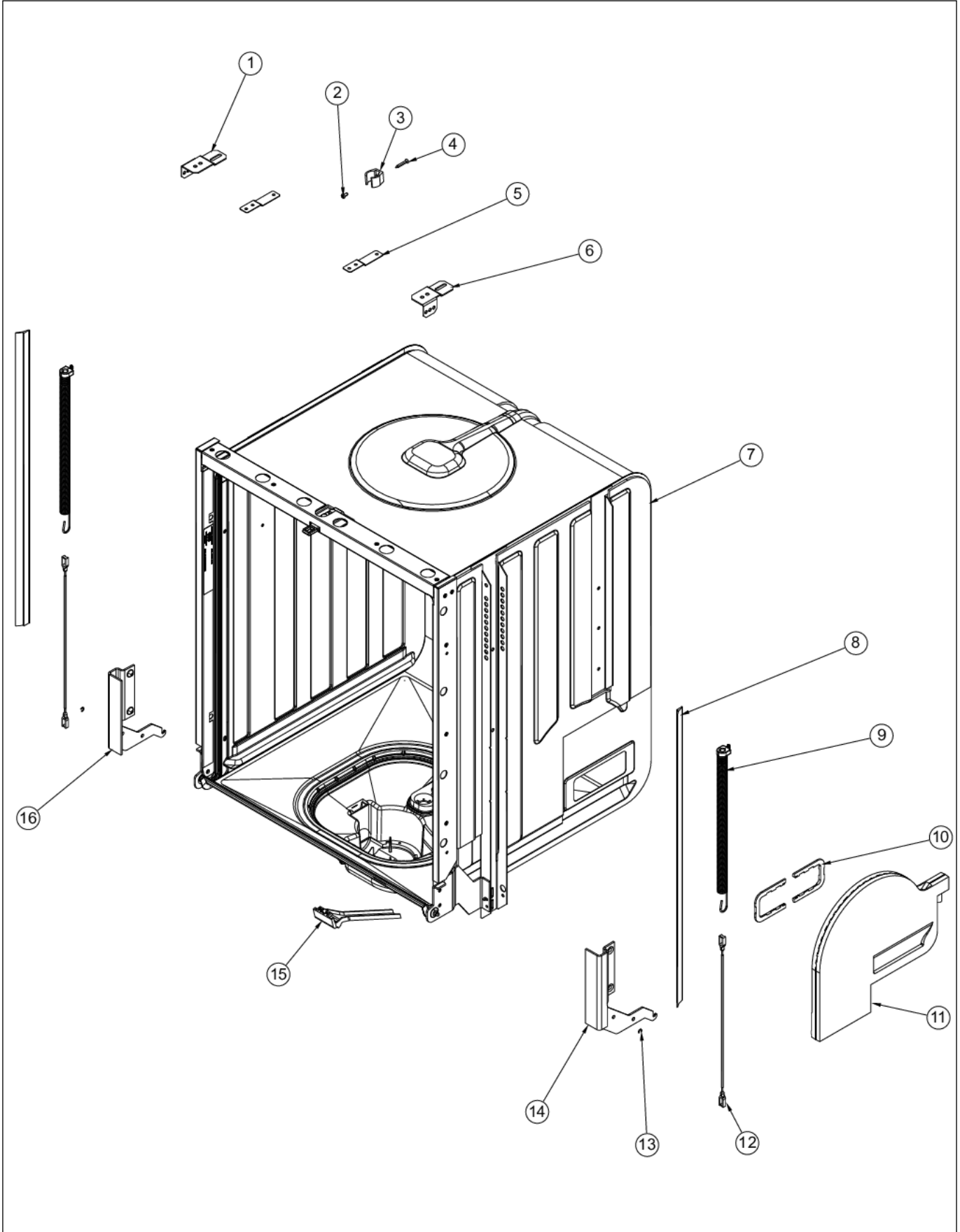
BOTTOM WELL





Item	Part No.	Name	Qty	Uom	NOTES
1	PB880032	TRAP, GLASS	1	EA	
2	G5088865	FINE FILTER ASSEMBLY	1	EA	
3	019381-000	FILTER, PRIMARY ASSY	1	EA	
4	PB820205	HOSE, DRAIN	1	EA	
5	PD030164	CLAMP, DOUBLE WIRE, HOSE, .126	1	EA	
6	009039-000	SCREW, #10 X 3/8 PHIL PAN HD PLASTITE 18-8 PASSIVATED	3	EA	Not available online / Call for pricing and availability
7	020784-000	TEMPERATURE SENSOR ASSY W/O-RING	1	EA	
8	020784-000	TEMPERATURE SENSOR ASSY W/O-RING	1	EA	
9	PD830110	FILTER LOCKING PLATE	1	EA	
10	PB870195	O-RING, DRAIN PUMP	1	EA	
11	006521-000	PUMP, DRAIN ASM	1	EA	
15	PK830239	DRAIN FILTER	1	EA	
16	PD020245	SCREW, #6-19 X 3/4 TORX, PAN HEAD, PLASTITE, 304SS	1	EA	

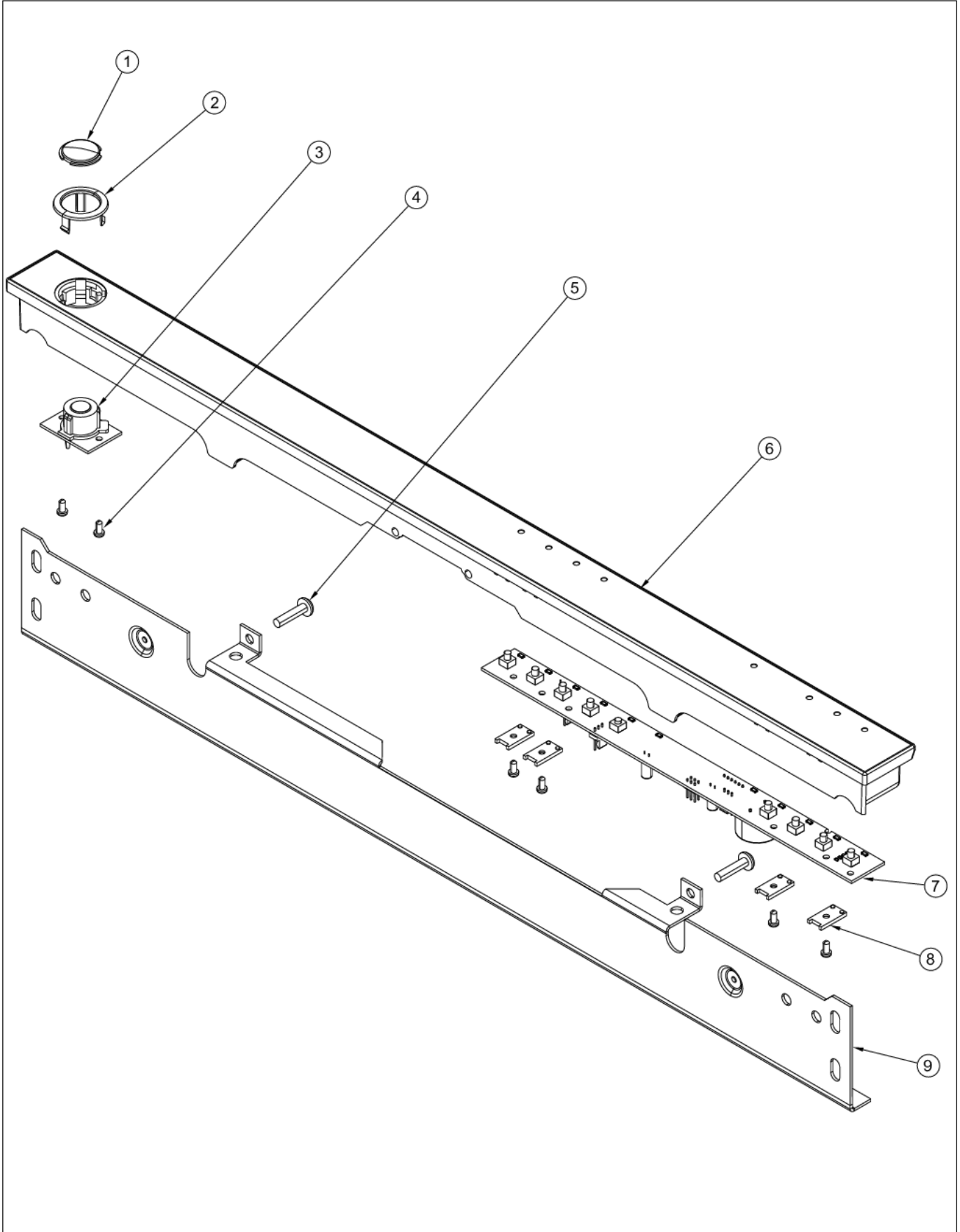
CABINET AREA





Item	Part No.	Name	Qty	Uom	NOTES
1	016606-000	BRACKET, MTG, TOP, CTR, R	1	EA	
2	PD020249	SCREW, #8-18 X 3/8, TYPE B, TORX, PAN HEAD, ZINC, BLUNT	1	EA	
3	000572-000	CLIP, MTG	1	EA	
4	001470-000	SCREW; #8, 18-8SS, FLAT HEAD, TORX, WOOD	1	EA	
5	002547-000	BRACKET, FLEX MTG	2	EA	
6	016599-000	BRACKET, MTG, TOP , LEFT	1	EA	
7	NON-SERVICEABLE	TUB ASSY, W/O VENT-201/301	1	EA	
8	013449-000	EDGING, MOUNTING TRIM, 325	2	EA	
9	PC810018	DOOR DAMPENER COIL SPRING	2	EA	
10	PK830276	LOCK, AIR & WATER INLET	2	EA	
11	035162-000	AIR & WATER INLET ASSY, W/GASKET-301/451	1	EA	
12	PM810487	DOOR DAMPENER CABLE	2	EA	
13	000124-000	RING, RTNG, CLIP, ZPLT	2	EA	
14	C93813632	HINGE, DOOR RIGHT PLATED	1	EA	
15	030903-000	CHANNEL, OVERFLOW INSERT- BLACK	1	EA	
16	C93813631	HINGE, DOOR LEFT PLATED	1	EA	
NI	035154-000	INSTALLATION KIT ASSY - 301	1	EA	

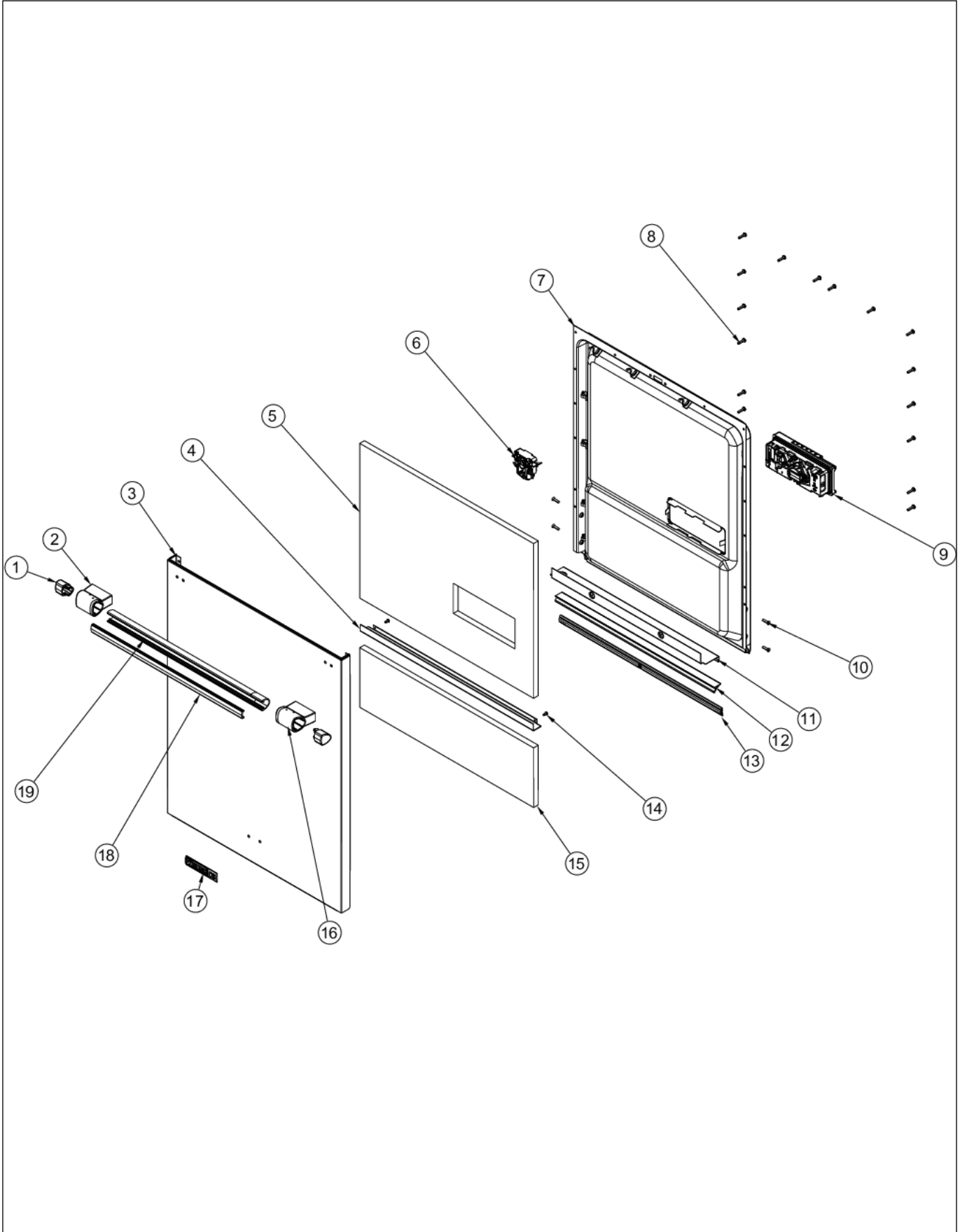
CONTROL PANEL





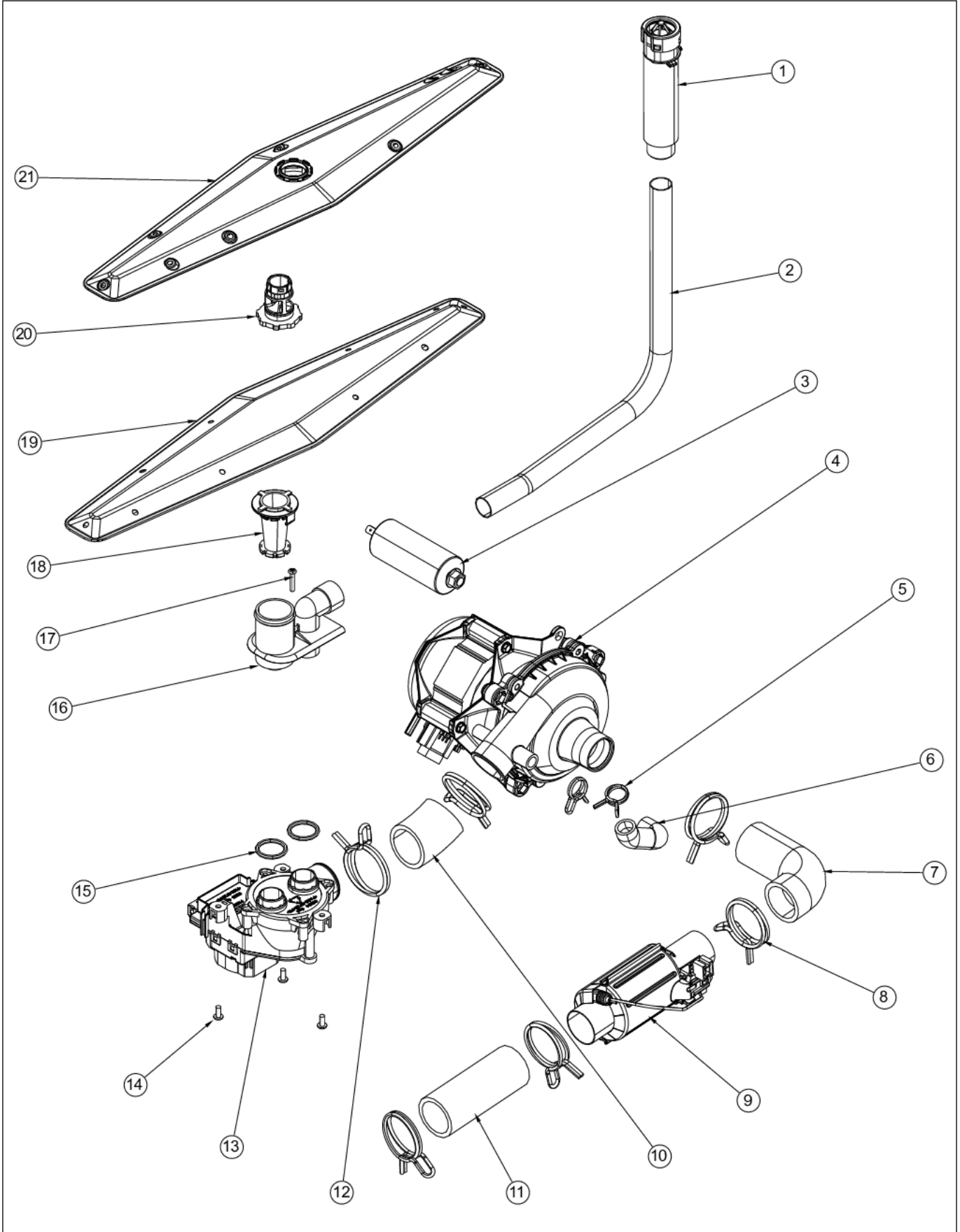
Item	Part No.	Name	Qty	Uom	NOTES
1	030795-000	BUTTON, COVER	1	EA	
2	030796-000	RING, BEZEL	1	EA	
3	029931-000	SWITCH, START, ASM	1	EA	
4	PD020197	SCREW, HI-LOW, PAN, TORX, ZINC, 4-20 X 0.25"	6	EA	
5	033411-000	#6 X 0.75 PLASTITE SCREW W/#8 TORX TRUSS HD	2	EA	
6	034893-000	OVERLAY-301	1	EA	
7	031422-000	USER INTERFACE, PROGRAMMED-201/301	1	EA	
Comments for Part Num. 031422-000					
bradleysapplianceservice@shaw.ca on Feb 16, 2016					
SUB TO 035111-000 CONSOLE ASSEMBLY - 301					
8	031187-000	FASTENER, UBS, UI	4	EA	
9	032814-000	BRACE, HANDLE, DOOR	1	EA	
NI	035110-000	CONSOLE & OVERLAY ASSY- 301	1	EA	

DOOR



Item	Part No.	Name	Qty	Uom	NOTES
1	028002-000	CAP, HANDLE, D3	2	EA	
2	028000-000	ENDCAP, RH, D3	1	EA	
3	033326-000	DOOR, OUTER, SS DESIGNER	1	EA	
3	035050-002	DOOR PANEL, DESIGNER, BLACK	1	EA	
3	035050-006	DOOR PANEL, DESIGNER, WHITE	1	EA	
4	031062-000	BRACKET, DOOR, SPREADER	1	EA	
5	035093-000	ABSORBER, SOUND, DOOR, UPPER	1	EA	Not available online / Call for pricing and availability
6	013380-000	DOOR LATCH	1	EA	
7	035114-000	DOOR, INNER, ASSY, W/BITUMEN-301	1	EA	
8	033411-000	#6 X 0.75 PLASTITE SCREW W/#8 TORX TRUSS HD	16	EA	
9	039000-000	SLIDE SOAP DISPENSER	1	EA	
10	PD020263	SCREW; 10-32 x 5/8 TORX, FLAT HD, MACHINE, 18-8SS	4	EA	
11	031061-000	BRACKET, DOOR, INNER	1	EA	
12	025033-000	DOOR WIPER, 6"	1	EA	
13	014072-000	SEAL, DOOR, LOWER	1	EA	
14	PD020249	SCREW, #8-18 X 3/8, TYPE B, TORX, PAN HEAD, ZINC, BLUNT	2	EA	
15	035095-000	ABSORBER, SOUND, DOOR, LOWER	1	EA	Not available online / Call for pricing and availability
16	028001-000	ENDCAP, LH,D3	1	EA	
17	034788-000	NAMEPLATE, D3 LARGE W/PINS	1	EA	
18	030572-000	HANDLE/INSERT, D3 ASSY	1	EA	
19	027987-000	HANDLE, DISH, D3	1	EA	
NI	035090-000	OUTER DOOR D3 SS INTEGRATED ASSEMBLY	1	EA	
NI	035087-002	OUTER DOOR D3 BK INTEGRATED ASSEMBLY	1	EA	
NI	035087-006	OUTER DOOR D3 WH INTEGRATED ASSEMBLY	1	EA	

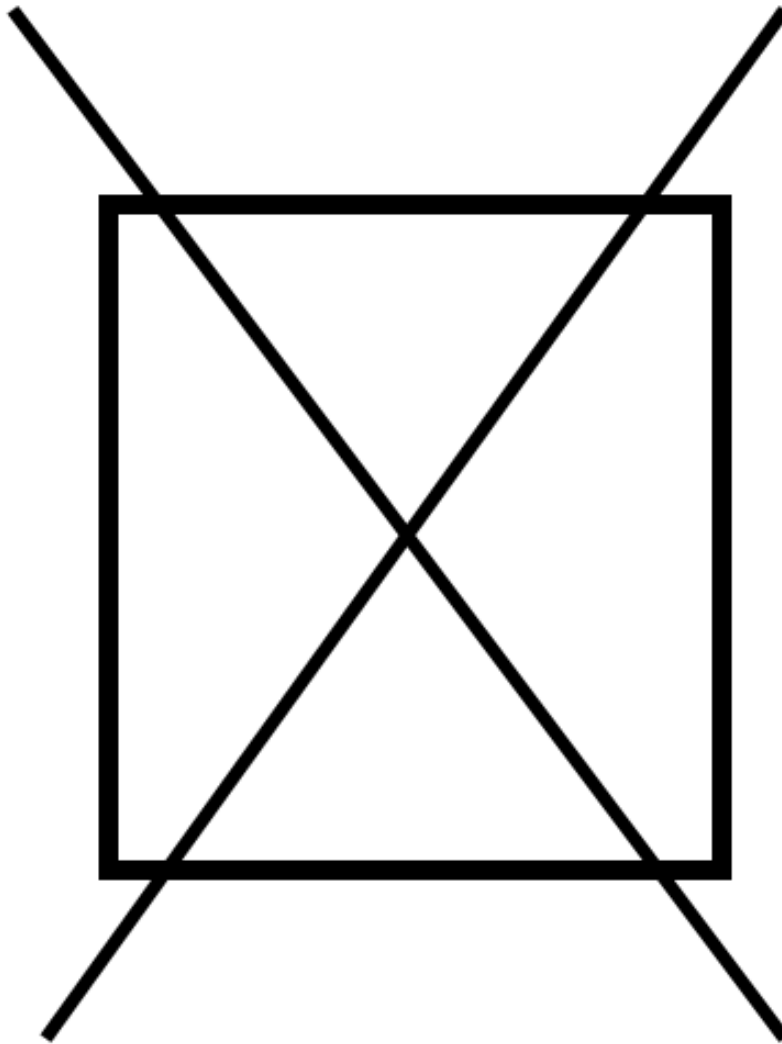
WASH SYSTEM





Item	Part No.	Name	Qty	Uom	NOTES
1	004062-000	REAR PORT ASSEMBLY	1	EA	
2	F2088867	CONDUIT, LOWER	1	EA	
3	020738-000	CAPACITOR, MICROFORAD-17UF/250VAC	1	EA	
4	016721-000	EMERSON SINGLE SPEED MOTOR & PUMP ASSY	1	EA	
5	PD030165	CLAMP, WIRE, HOSE	2	EA	
6	PB020264	HOSE, PUMP TO PERIMETER SPRAYER	1	EA	
7	038843-000	HOSE, HEATER TO PUMP	1	EA	
8	PD030163	CLAMP, WIRE HOSE	4	EA	
9	038415-000	HEATER, FLOW-THROUGH, ZOPPAS 1200V	1	EA	
10	PB020263	HOSE, PUMP TO DIVERter VALVE	1	EA	
11	038844-000	HOSE, SUMP TO HEATER	1	EA	
12	002283-000	CLAMP, DOUBLE WIRE, HOSE	2	EA	
13	040626-000	DIVERter VALVE KIT	1	EA	
14	PD020262	SCREW, 8-14x3/8 TORX, PAN HEAD, PLASTITE, 304 SS	3	EA	
15	PB870194	O-RING, DIVERter VALVE	2	EA	
16	035260-000	VENTURI PLATE, BLACK-201/301	1	EA	
17	PD020245	SCREW, #6-19 X 3/4 TORX, PAN HEAD, PLASTITE, 304SS	1	EA	
18	PK830260	LOWER SPRAY ARM VENTURI SPINDLE	1	EA	
19	G2188882	LOWER SPRAY ARM, ASSEMBLY	1	EA	
20	PK830375	MIDDLE SPRAY ARM LOCK NUT, 1/4 TURN	1	EA	
21	G2188879	MIDDLE SPRAY ARM, ASSEMBLY	1	EA	

NON
ILLUSTRATED PART





Item	Part No.	Name	Qty	Uom	NOTES
NI	001796-000	RETAINER, HARNESS	3	EA	
NI	032632-000	HARNESS, HV BASE ASSY	1	EA	Not available online / Call for pricing and availability
NI	040967-000	HARNESS, LOW VOLTAGE BASE	1	EA	
NI	PK030170	RETAINER, HARNESS	5	EA	
NI	040953-000	HARNESS, DOOR	1	EA	
NI	040965-000	DOOR JUMPER	1	EA	



Appendix A:Pages Index

BASE 1
BASKETS 2
BOTTOM WELL 3
CABINET AREA 4
CONTROL PANEL 5
DOOR 6
WASH SYSTEM 7
WIRING 8



Appendix B:Parts Index

000124-000	4	030572-000	6
000370-000	1	030795-000	5
000380-000	1	030796-000	5
000572-000	4	030903-000	4
001470-000	4	031061-000	6
001796-000	1, 8	031062-000	6
002283-000	7	031187-000	5
002547-000	4	031421-000	1
003655-000	1	031422-000	5
004062-000	7	031863-000	1
005033-000	1	032444-000	1
006521-000	3	032445-000	1
006575-000	1, 1	032632-000	8
007564-000	1	032718-000	1
009039-000	3	032720-000	1
010850-000	1	032814-000	5
010851-000	1	033326-000	6
013380-000	6	033411-000	5, 6
013449-000	4	034788-000	6
014072-000	6	034893-000	5
016332-000	1	034959-000	1
016599-000	4	035050-002	6
016606-000	4	035050-006	6
016721-000	7	035087-002	6
017130-000	1	035087-006	6
017249-000	1	035090-000	6
019381-000	3	035093-000	6
019591-000	1	035095-000	6
020738-000	7	035110-000	5
020784-000	3, 3	035114-000	6
023975-000	1	035138-000	1
024041-000	1	035154-000	4
024147-000	1	035162-000	4
025033-000	6	035210-000	2
027987-000	6	035260-000	7
028000-000	6	035340-000	2
028001-000	6	037726-000	2
028002-000	6	038415-000	7
029377-000	1	038843-000	7
029931-000	5	038844-000	7
		039000-000	6



040626-000	7	PK030448	2
040953-000	8	PK030536	2
040965-000	8	PK830239	3
040967-000	8	PK830260	7
C93813631	4	PK830276	4
C93813632	4	PK830366	1, 1
F2088867	7	PK830375	7
G2188879	7	PM810487	4
G2188882	7	PM810488	1
G5088830	1	PM810495	1
G5088865	3		
G5088897	2		
PB020263	7		
PB020264	7		
PB070338	1		
PB820205	3		
PB870194	7		
PB870195	3		
PB880032	3		
PC810018	4		
PD020197	5		
PD020215	1		
PD020236	1		
PD020245	3, 7		
PD020249	1, 1, 4, 6		
PD020255	1		
PD020262	7		
PD020263	1, 6		
PD020265	1		
PD030044	2		
PD030163	7		
PD030164	3		
PD030165	7		
PD030179	1		
PD040163	1, 1		
PD830110	3		
PE050229	1		
PE070209	1		
PE070708	1		
PF031283	1		
PK030170	8		