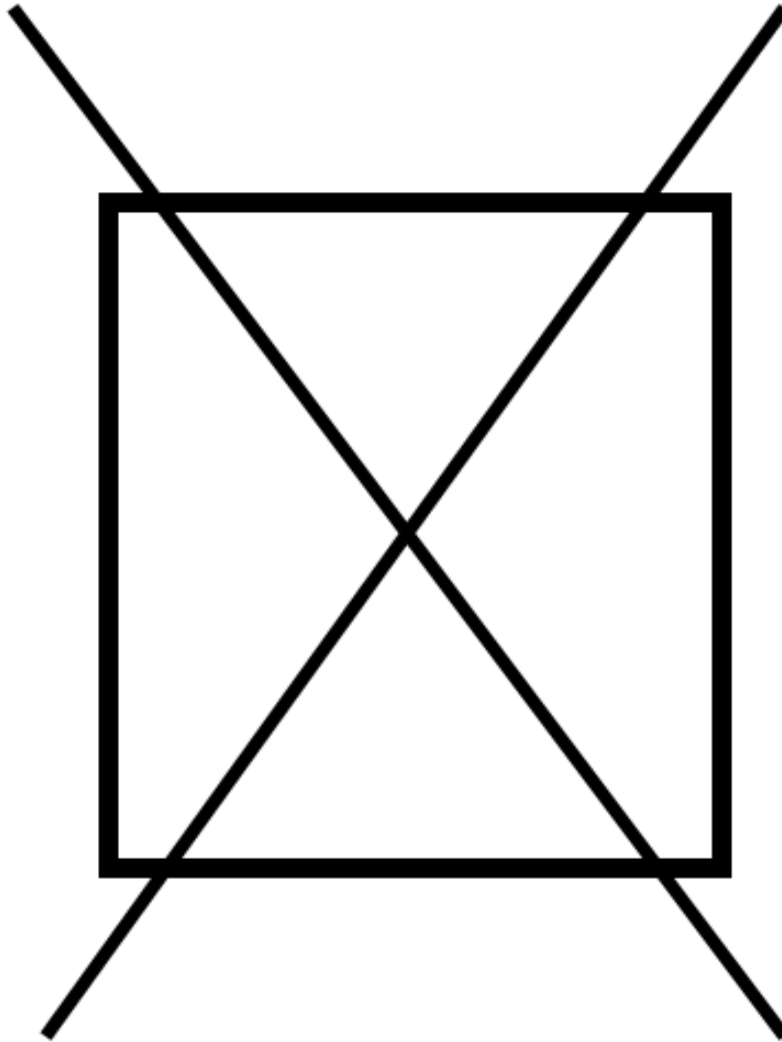


FDW100WS

ACCESSORIES	1
DOOR GROUP	2
INNER TUB	3
MAIN BODY	4
PUMP ASSY	5
RVDP324SS Outer Door Assy	6
Appendix A:Pages Index	A
Appendix B:Parts Index	B

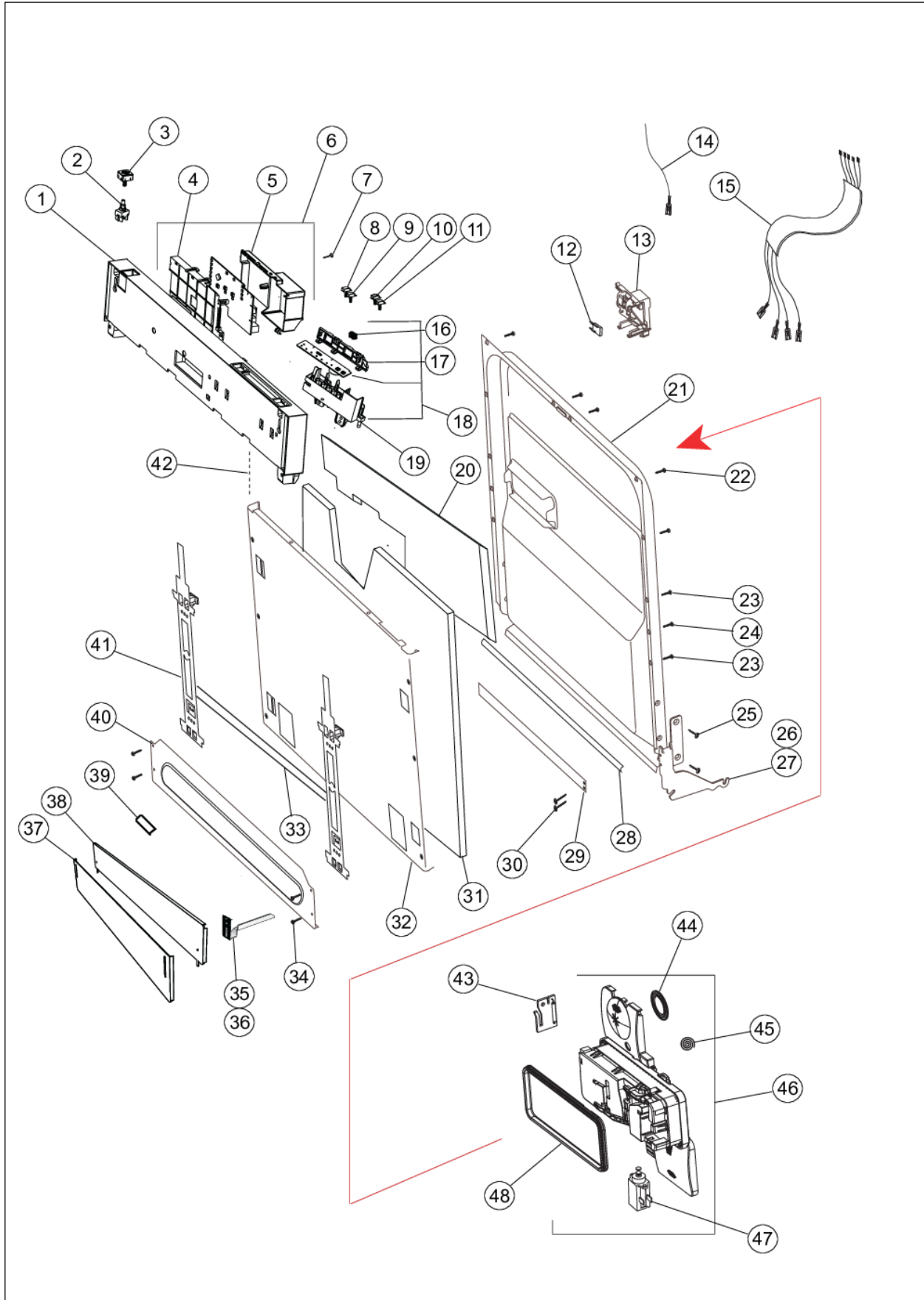
NON
ILLUSTRATED PART



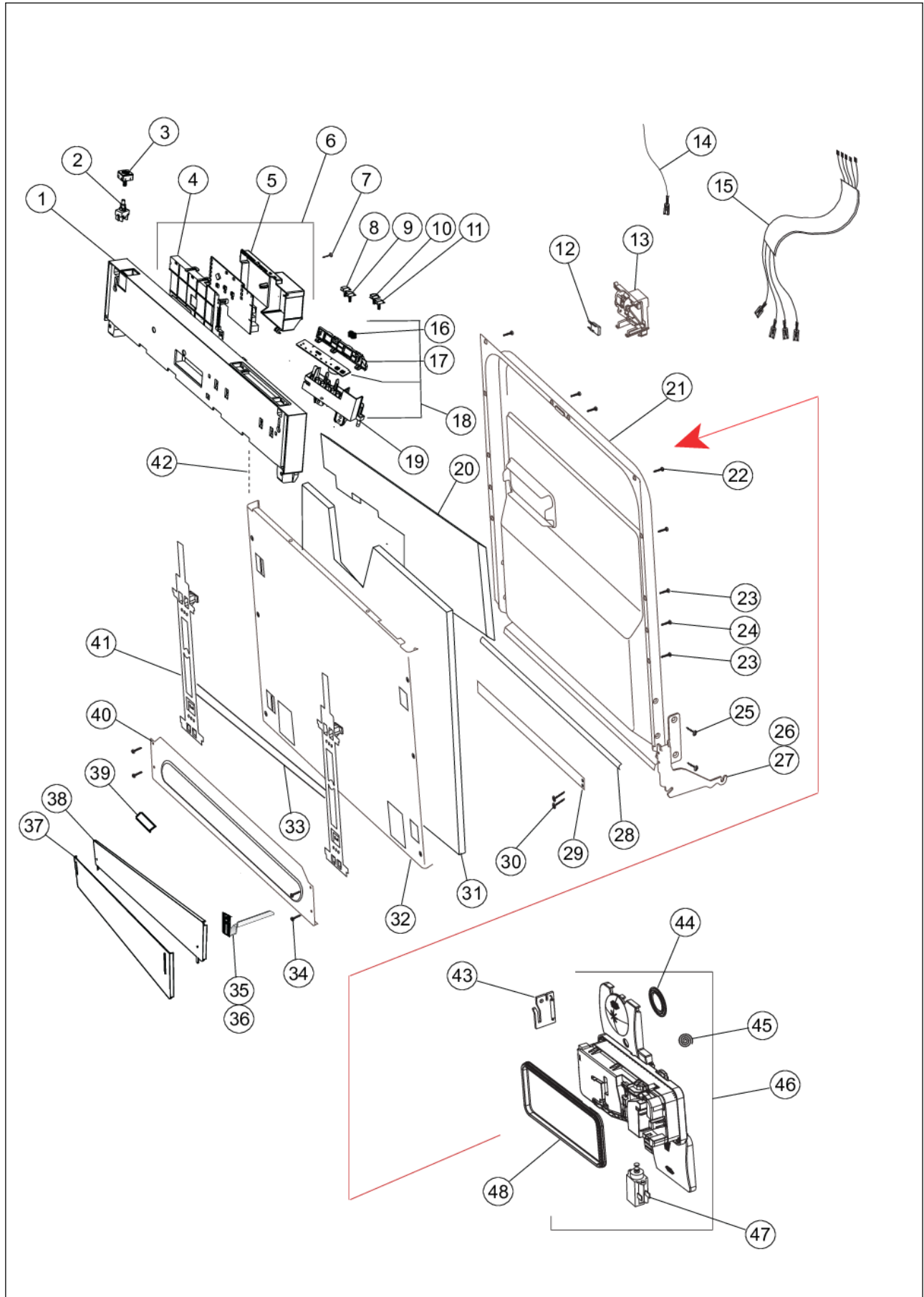


Item	Part No.	Name	Qty	Uom	NOTES
NI	046542-000	ACCESSORIES	1	EA	
NI	071566-000	MOUNTING BRACKET KIT	1	EA	
Not Shown	NOTE	TO SECURE UNIT TO CABINET		EA	

DOOR GROUP



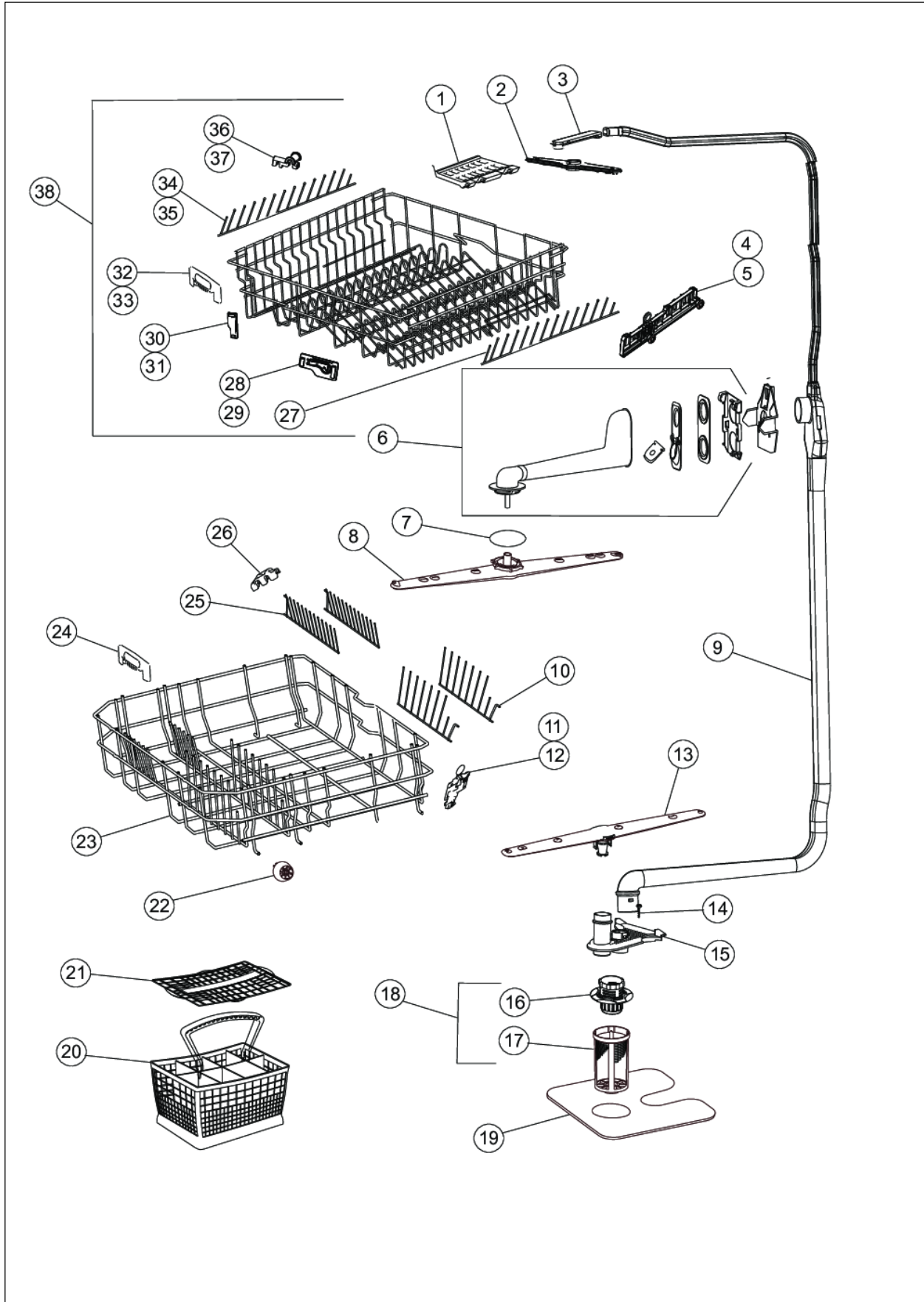
Item	Part No.	Name	Qty	Uom	NOTES
1	039755-000	PANEL GROUP	1	EA	
2	039884-000	ON OFF SWITCH	1	EA	
3	039799-000	ON OFF BUTTON	1	EA	
4	039798-000	CARD HOLDER-FRONT	1	EA	
5	039800-000	CARD HOLDER-BACK	1	EA	
6	039837-000	ELECTRONIC CARD GROUP	1	EA	
7	039879-000	SCREW	4	EA	
8	039852-000	CLAD F5 START STOP BUTTON PRINTED -BLACK	1	EA	
9	039851-000	F5 PRG. SECIM TUSU BASKILI - BLACK	1	EA	
10	039853-000	CLAD F5 HALF LOAD BUTOON PRINTED - BLACK	1	EA	
11	039854-000	CLAD F5 PROGRAM DELAY BUTTON - BLACK	1	EA	
12	059878-000	NEW DOOR SWITCH	1	EA	
13	057515-000	DOOR LOCK GROUP	1	EA	
14	039754-000	CABLE HARNESS COMPLETE	1	EA	
15	039838-000	F5 CABLE HARNESS UL	1	EA	
16	039795-000	BUTTON GASKET	2	EA	
17	039797-000	DISPLAY CARD HOLDER-BACK	1	EA	
18	039794-000	DISPLAY CARD GROUP	1	EA	
19	039796-000	DISPLAY CARD HOLDER- FRONT	1	EA	
20	039932-000	DOOR INSULATION	1	EA	
21	039720-000	INNER DOOR GR	1	EA	
22	039914-000	SCREW	6	EA	
23	039916-000	SCREW	4	EA	
24	039912-000	INNER DOOR STOPER	2	EA	
25	039877-000	SCREW	4	EA	
26	039739-000	HINGE ARM RIGHT	1	EA	
27	039738-000	HINGE ARM LEFT	1	EA	
28	039908-000	DOOR SEALING GASKET	1	EA	
29	039935-000	HINGE ARM SUPPORT	1	EA	
30	039917-000	BOLT M4X8 D3731 D3421	21	EA	



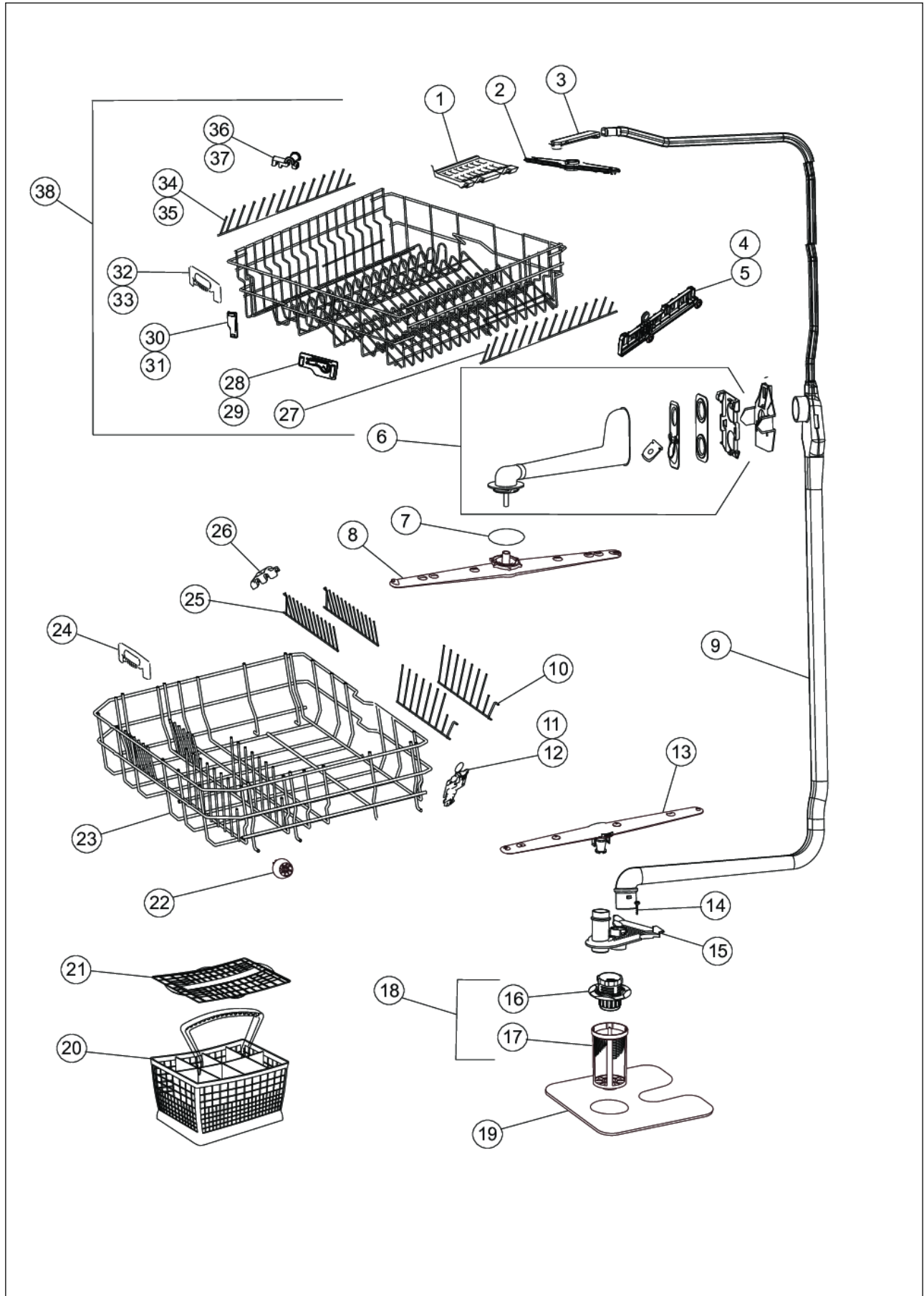


Item	Part No.	Name	Qty	Uom	NOTES
31	039903-000	DOOR INSULATION	1	EA	
32	039772-000	B_I OUTER DOOR TALL TUB	1	EA	
33	039946-000	DECORATIVE DOOR FIXATION SUPPORT	1	EA	
34	039876-000	SCREW	22	EA	
35	039924-000	PLINTH ADJUSTMENT SHEET LEFT	1	EA	
36	039925-000	PLINTH ADJUSTMENT SHEET RIGHT	1	EA	
37	060210-000	KICK PLATE SHEET	1	EA	
38	039926-000	KICK PLATE SHEET	1	EA	
39	039928-000	KICK PLATE ADJUSTING LOCKET	1	EA	
40	039773-000	KICK PLATE SHEET	1	EA	
41	039911-000	DECORATIVE DOOR FIXATION SUPPORT	2	EA	
42	039871-000	HOSE	2	EA	
43	040589-000	RINSE AID SWITCH	1	EA	
44	039713-000	RINSE AID GASKET	1	EA	
45	040590-000	COVER SPRING	1	EA	
46	039715-000	DETERGENT DISPENSER GROUP	1	EA	
47	039882-000	THERMOACTUATOR D3731 D3421	1	EA	
48	039714-000	DETERGENT DISPENSER GASKET	1	EA	
NI	041992-000	NAMEPLATE, VIKING, 4.500"	1	EA	

INNER TUB



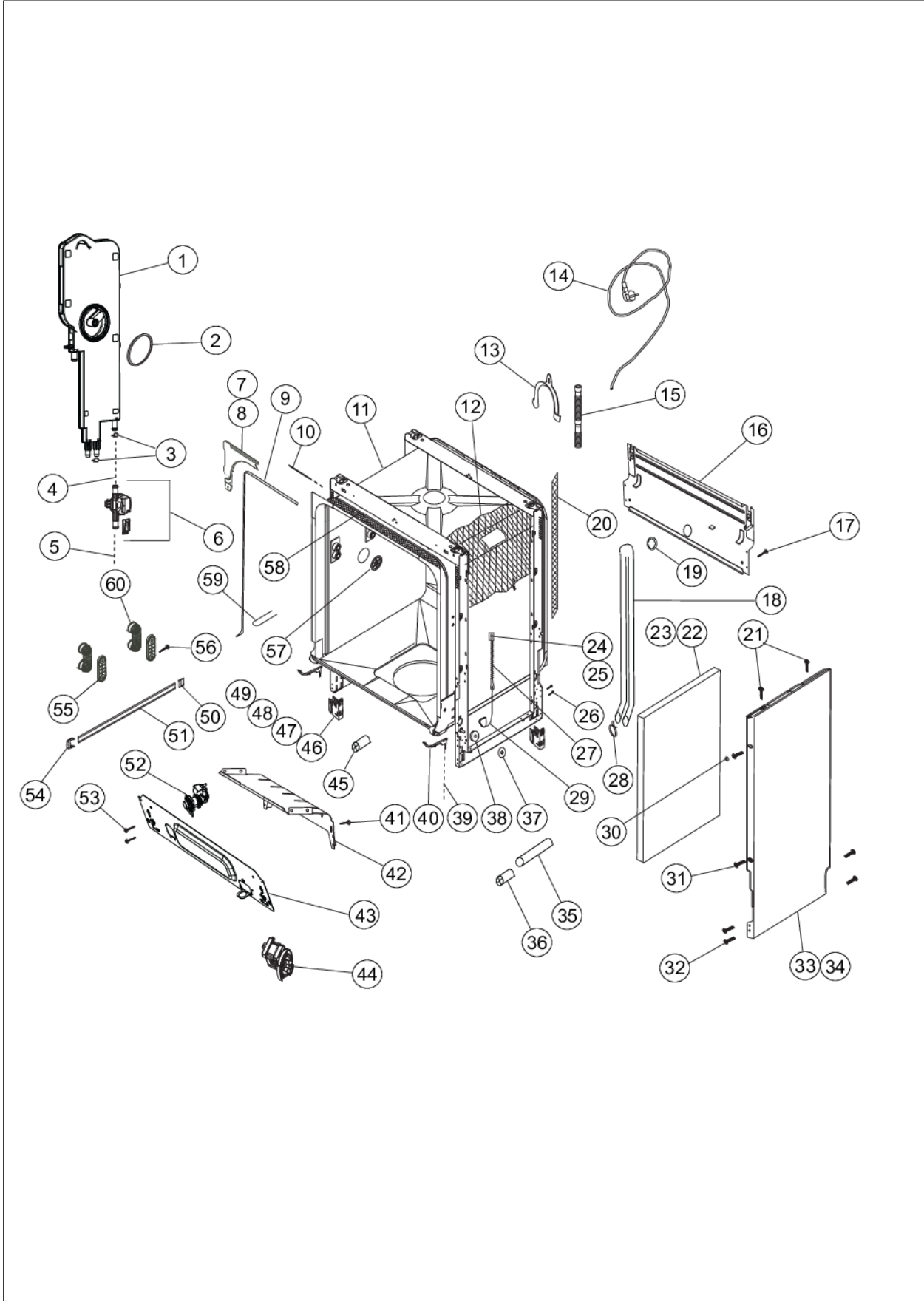
Item	Part No.	Name	Qty	Uom	NOTES
1	039785-000	SHELF GROUP	4	EA	
2	039841-000	CEILING SPRAY GROUP	1	EA	
3	039847-000	CEILING SPRAY ARM FEED PIPE	1	EA	
4	039786-000	UPPER BASKET MECHANISM-LEFT	1	EA	
5	039787-000	UPPER BASKET MECHANISM-RIGHT	1	EA	
6	039862-000	UPPER SPRAY ARM FEED PIPE	1	EA	
7	039870-000	GASKET	1	EA	
8	039892-000	UPPER SPRAY ARM GROUP	1	EA	
9	039840-000	WATER SUPPLY TUBE GROUP	1	EA	
10	039788-000	PLATE HOLDER-LEFT	2	EA	
11	039856-000	LOWER BASKET FOLDING PART	1	EA	
12	039857-000	LOWER BASKET FOLDING PART	1	EA	
13	039896-000	LOWER SPRAY ARM GROUP	1	EA	
14	039945-000	SCREW	5	EA	
15	039734-000	FILTER SUPPORT GROUP	1	EA	
16	039729-000	COARSE FILTER	1	EA	
17	039728-000	MICRO FILTER GROUP	1	EA	
18	039733-000	FILTER GROUP	1	EA	
19	039730-000	METAL FILTER GROUP	1	EA	
20	039790-000	CUTLERY BASKET GROUP	1	EA	
21	039791-000	CUTLERY BASKET SEPARATOR	2	EA	
22	039930-000	LOWER BASKET WHEEL GROUP	8	EA	
23	039858-000	LOWER BASKET GROUP	1	EA	
24	039842-000	LOWER BASKET HANDLE	1	EA	
25	039789-000	PLATE HOLDER-RIGHT	2	EA	
26	039855-000	LOWER BASKET CLIPS	4	EA	
27	039780-000	CAD ITEM	2	EA	
28	039784-000	FOLDING PART	1	EA	
29	039782-000	FOLDING PART	1	EA	





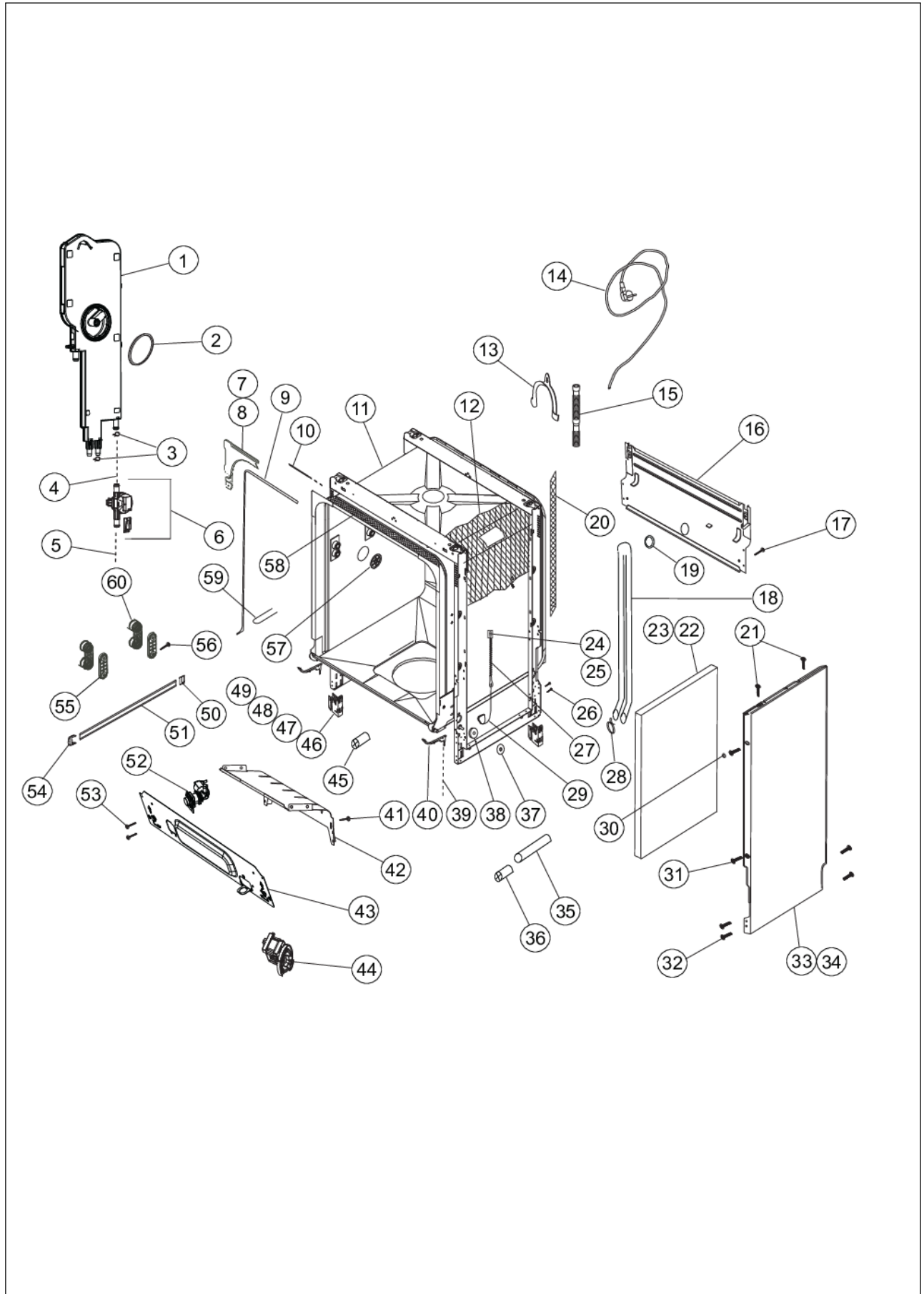
Item	Part No.	Name	Qty	Uom	NOTES
30	039859-000	BOWL FOLDING PART	1	EA	
31	039860-000	BOWL FOLDING PART CLIPS RIGHT	1	EA	
32	039846-000	UPPER BASKET HANDLE GR	1	EA	
33	039845-000	UPPER BASKET HANDLE	1	EA	
34	039779-000	UPPER BASKET SUPPORT WIRE	1	EA	
35	039781-000	UPPER BASKET SUPPORT WIRE	1	EA	
36	039861-000	UPPER BASKET CLIPS	11	EA	
37	039783-000	FOLDING PART CLIPS RIGHT	1	EA	
38	039848-000	UPPER BASKET GROUP	1	EA	

MAIN BODY

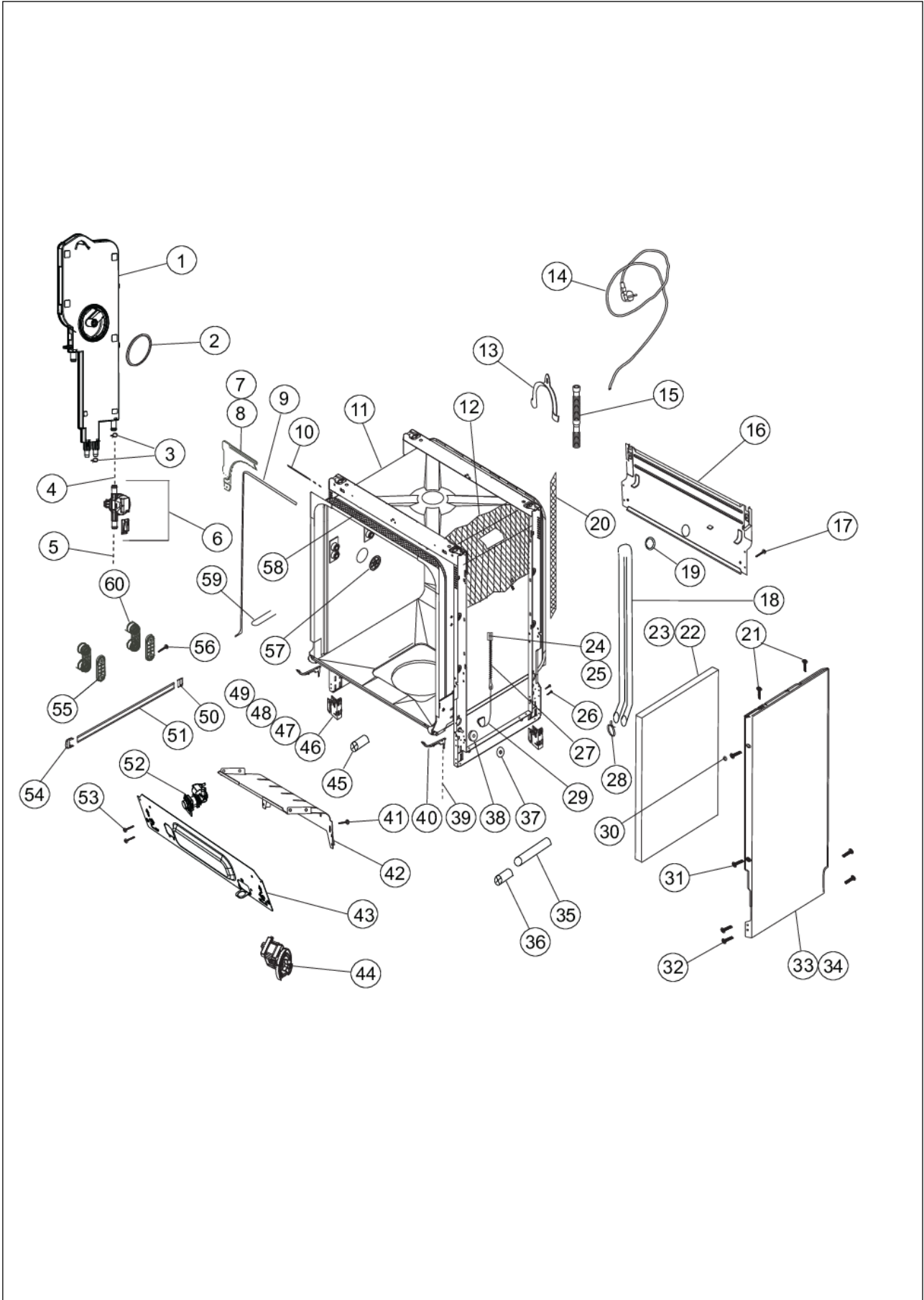




Item	Part No.	Name	Qty	Uom	NOTES
1	039736-000	REGENERATION UNIT	1	EA	
2	039910-000	AIR FUNNEL GASKET	1	EA	
Comments for Part Num. 039910-000 bradleysapplianceservice@shaw.ca on Feb 28, 2017 SUBS TO: 039910-000 AIR FUNNEL GASKET					
3	039958-000	HOSE CLAMP (Ø 15.88)	1	EA	
4	039866-000	HOSE BETWEEN COUNTER AND REGENERATION U.	1	EA	
5	039867-000	HOSE	1	EA	
6	050887-000	COUNTER GROUP	1	EA	
7	039767-000	TOP CORNER BRACKET - LEFT	1	EA	
8	039768-000	TOP CORNER BRACKET - RIGHT	1	EA	
9	039769-000	DOOR SEALING GASKET	1	EA	
10	039904-000	NOISE ISOLATION FOR TUB RAL 7037.	1	EA	
11	039775-000	WELDED MECHANICAL GROUP	1	EA	
12	039774-000	INNER TUB ISOLATION	1	EA	
13	040591-000	Drain Hose Holder	1	EA	
14	039949-000	MAIN PLUG EURO 120 V CANADA	1	EA	
15	039725-000	DRAIN HOSE	1	EA	
Comments for Part Num. 039725-000 profixappliances@gmail.com on Dec 12, 2017 Per Bradleysapplianceservice: IF LONG EXTERIOR DRAIN HOSE IS REQUIRED - FROM BACK OF DISHWASHER TO DRAIN OUTLET - ORDER PART NUMBER: 039726-000 DRAIN HOSE IF SUMP TO BACK OF UNIT DRAIN HOSE IS REQUIRED - INSIDE OF UNIT - ORDER PART NUMBER: 039725-000 SUMP DRAIN HOSE (16 INCHES LONG)					
16	040592-000	REAR BOTTOM SUPPORT	1	EA	
17	039876-000	SCREW	22	EA	
18	039792-000	COLUMN ASSY	1	EA	
19	039918-000	DRAIN HOSE HOLDER 7037	2	EA	
20	039922-000	REAR FRAME COTTON FLEECE	1	EA	



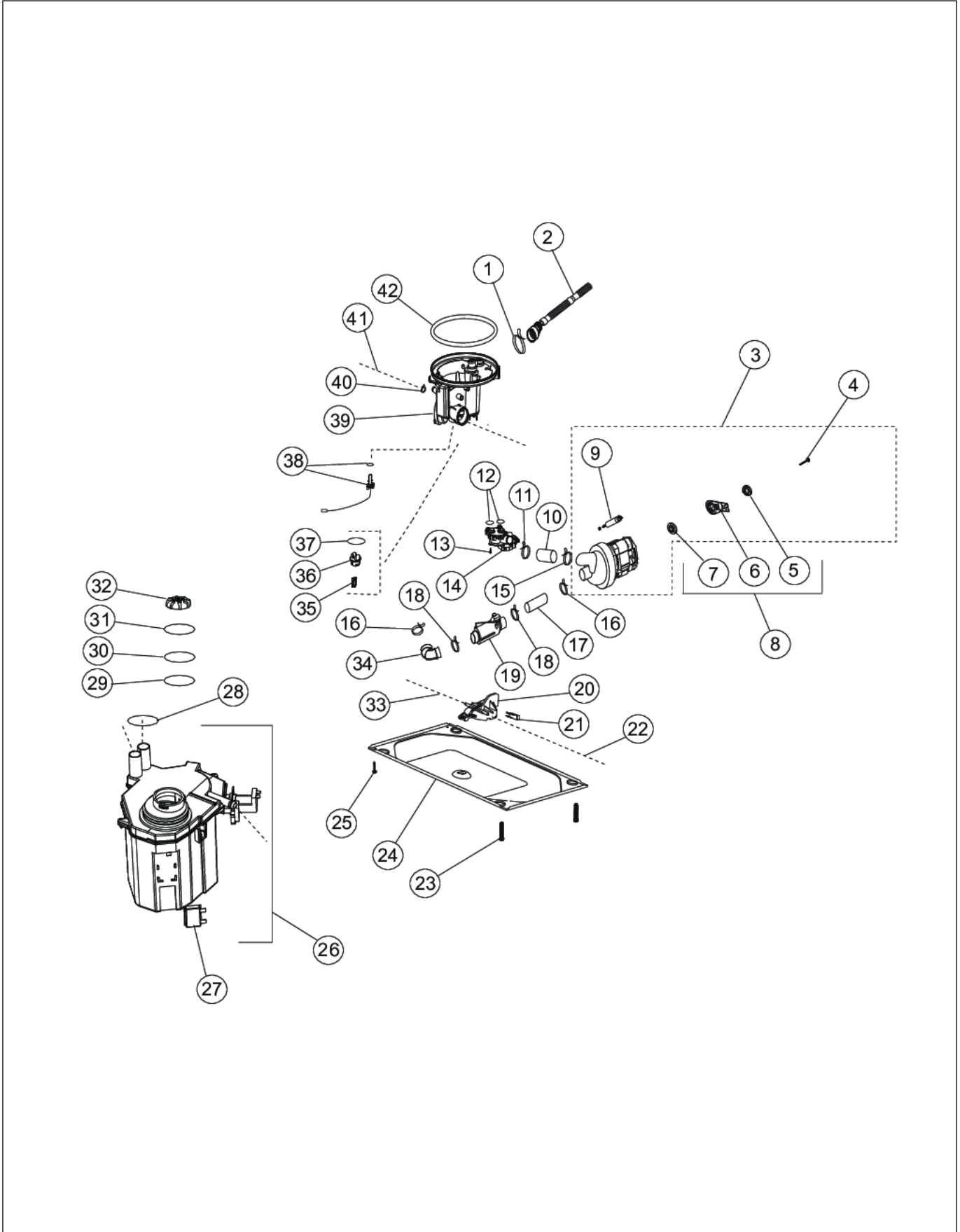
Item	Part No.	Name	Qty	Uom	NOTES
21	039876-000	SCREW	22	EA	
22	039888-000	NOISE ISOLATION	2	EA	
Not Shown	NOTE	SLIDES ON TRIM OF TUB		EA	
23	039760-000	NOISE ISOLATION	2	EA	
Not Shown	NOTE	STICKS ON SIDE OF UNIT		EA	
24	039763-000	DOOR ADJUSTMENT GROUP-LEFT	1	EA	
25	039764-000	DOOR ADJUSTMENT GROUP-RIGHT	1	EA	
26	039917-000	BOLT M4X8 D3731 D3421	21	EA	
27	039895-000	HINGE SPRING	2	EA	
28	039952-000	HOSE CLAMP (Ø 28_7)	2	EA	
29	039894-000	HINGE ROPE GROUP	2	EA	
30	039905-000	SCREW CAP SIDE WALLS	2	EA	
31	039876-000	SCREW	22	EA	
32	039770-000	SIDE PANEL-LEFT	1	EA	
34	039771-000	SIDE PANEL-RIGHT	1	EA	
35	039938-000	REAR ADJUSTABLE DOOR CONNECTION PART	2	EA	
36	039937-000	REAR ADJUSTABLE FOOT CONNECTION PART	2	EA	
37	039883-000	WASHER	2	EA	
38	039893-000	HINGE WHEEL	2	EA	
39	039872-000	HOSE	1	EA	
40	039921-000	OVERFLOW SIPHON	2	EA	
41	039917-000	BOLT M4X8 D3731 D3421	21	EA	
42	039885-000	LOWER SUPPORT - FRONT	1	EA	
43	039773-000	KICK PLATE SHEET	1	EA	
44	039758-000	DRAIN PUMP GROUP	1	EA	
45	039765-000	DOOR ADJUSTING ADAPTOR	2	EA	
46	039943-000	Rear feet Adjustable LEFT BACK	1	EA	
47	039942-000	FOOT GROUP-ADJUSTABLE-LEFT-FRONT	1	EA	
48	039941-000	FOOT GROUP-ADJUSTABLE-RIGHT-BACK	1	EA	



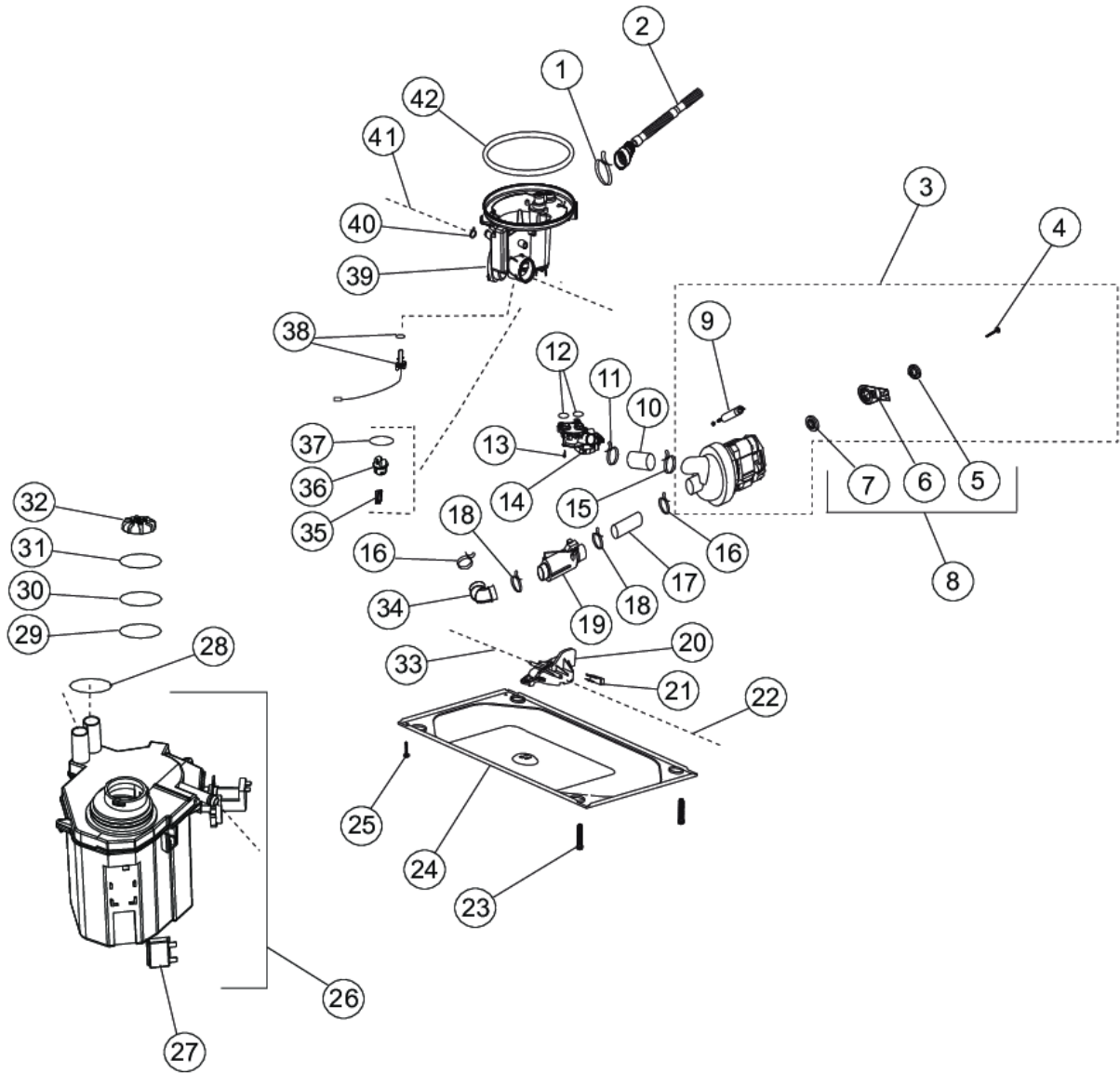


Item	Part No.	Name	Qty	Uom	NOTES
49	050779-000	FOOT GROUP-ADJUSTABLE- RIGHT-FRONT	1	EA	
49	039898-000	FOOT SUPPORT PART	1	EA	
50	039891-000	RAIL CAP	2	EA	
51	039887-000	RAIL	2	EA	
52	039756-000	WATER INLET VALVE	1	EA	
53	039761-000	SCREW	2	EA	
54	039717-000	RAIL CAP	2	EA	
55	039777-000	RAIL WHEEL HOLDER	4	EA	
56	039766-000	RAIL WHEEL SCREW	8	EA	
57	039909-000	AIR FUNNEL COVER	1	EA	
58	039923-000	DOOR LOCK COTTON FLEECE	1	EA	
59	039901-000	DOOR LOCK HOOK	1	EA	
60	039793-000	RAIL WHEEL GROUP	4	EA	

PUMP ASSY



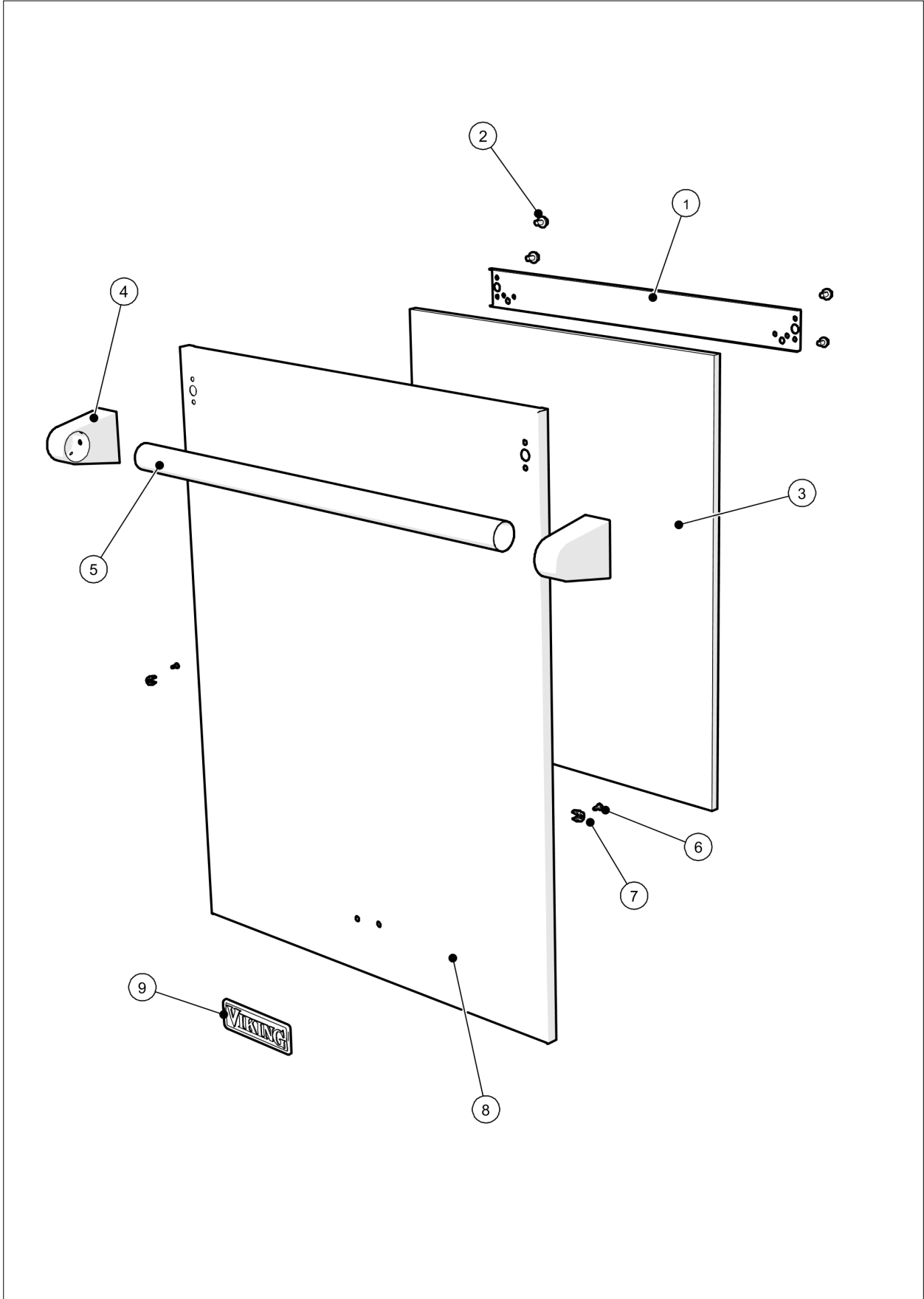
Item	Part No.	Name	Qty	Uom	NOTES
1	039954-000	Hose Clamp	1	EA	
2	039726-000	DRAIN HOSE	1	EA	
Comments for Part Num. 039726-000 bradleysapplianceservice@shaw.ca on Jul 15, 2016 IF LONG EXTERIOR DRAIN HOSE IS REQUIRED - FROM BACK OF DISHWASHER TO DRAIN OUTLET - ORDER PART NUMBER: 039726-000 DRAIN HOSE IF SUMP TO BACK OF UNIT DRAIN HOSE IS REQUIRED - INSIDE OF UNIT - ORDER PART NUMBER: 039725-000 SUMP DRAIN HOSE (16 INCHES LONG) Reply by profixappliances@gmail.com on Dec 12, 2017 Thank you for the clarification!					
3	039732-000	MOTOR & SPRAY PUMP	1	EA	
4	039915-000	SCREW	1	EA	
5	039890-000	MOTOR FIXING CAP	1	EA	
6	039724-000	MOTOR BRACKET GROUP	1	EA	
7	039897-000	DAMPENING RUBBER	1	EA	
8	039731-000	MOTOR BRACKET GROUP	1	EA	
9	039759-000	CAPACITOR	1	EA	
10	039727-000	HOSE	1	EA	
11	039953-000	HOSE CLAMP.(+ 34_1)	1	EA	
12	039902-000	O-RING (FLOW DIVERTER)	2	EA	
13	039880-000	SCREW	4	EA	
14	039863-000	THREE WAY VALVE	1	EA	
15	039957-000	HOSE CLAMP	2	EA	
16	039955-000	HOSE CLAMP	1	EA	
17	039716-000	PUMP INLET HOSE	1	EA	
18	039955-000	HOSE CLAMP	1	EA	
19	039757-000	FLOW THROUGH HEATER	1	EA	
20	039934-000	OVERFLOW FLOAT GROUP	1	EA	
21	039913-000	MICRO SWITCH	1	EA	
22	039872-000	HOSE	1	EA	
23	039889-000	FOOT GROUP-ADJUSTABLE	4	EA	
24	039886-000	BOTTOM TRAY	1	EA	
25	039876-000	SCREW	22	EA	





Item	Part No.	Name	Qty	Uom	NOTES
26	039752-000	WATER SOFTENER GROUP	1	EA	
27	039865-000	SALT INDICATOR SWITCH	1	EA	Not available online / Call for pricing and availability
28	039753-000	O RING -WATER SOFTENER	1	EA	
29	039869-000	WATER SOFTENER CAP GASKET	1	EA	
30	039936-000	WATER SOFTENER NUT	1	EA	
31	039920-000	WATER SOFTENER CAP GASKET	1	EA	
32	039919-000	WATER SOFTENER CAP	1	EA	
33	039873-000	HOSE	1	EA	
34	039723-000	HOSE BETWEEN SUMP AND HEATER	1	EA	
35	039950-000	TURBIDITY CARD AND LED HOLDER GR	1	EA	
36	039900-000	TURBIDITY FRAME	1	EA	
37	039868-000	O-RING (TURBIDITY)	1	EA	
38	039933-000	NTC GROUP	1	EA	
39	039735-000	SUMP GROUP	1	EA	
40	039951-000	HOSE CLAMP (DIA 17.3)	1	EA	
41	039874-000	HOSE	1	EA	
42	039722-000	SUMP GASKET	1	EA	

RVDP324SS Outer Door Assy





Item	Part No.	Name	Qty	Uom	NOTES
1	034986-000	BRACE, DOOR SKIN, HORIZONTAL	1	EA	
2	PD010019	BLT-1/4-20X3/8"HEX WASHER SERATED	4	EA	
3	036741-000	ABSORBER, SOUND, DOOR SKIN	1	EA	
4	026965-000	END CAP, ASM, DOOR HANDLE	2	EA	
5	034825-000	HANDLE, DW	1	EA	
6	PD020249	SCREW, #8-18 X 3/8, TYPE B, TORX, PAN HEAD, ZINC, BLUNT	2	EA	
7	PD030178	CLIP, DOOR SKIN LOCATOR	2	EA	
8	043241-000	SKIN, DOOR, OTR, SS	1	EA	
8	043244-002	SKIN, DOOR, OTR, BLACK	1	EA	
8	043244-006	SKIN, DOOR, OTR, WHITE	1	EA	
9	041992-000	NAMEPLATE, VIKING, 4.500"	1	EA	
NI	023879-000	TRUSS, AB, TORX, #8-18 X 1.75, SS, PASSIVATED	4	EA	
NI	039971-000	FASTENER, SCR, #8-18, SS, FLAT, 1-1/2, AB	4	EA	



Appendix A:Pages Index

ACCESSORIES 1
DOOR GROUP2
INNER TUB3
MAIN BODY 4
PUMP ASSY 5
RVDP324SS Outer Door Assy 6



Appendix B:Parts Index

023879-000	6	039765-000	4
026965-000	6	039766-000	4
034825-000	6	039767-000	4
034986-000	6	039768-000	4
036741-000	6	039769-000	4
039713-000	2	039770-000	4
039714-000	2	039771-000	4
039715-000	2	039772-000	2
039716-000	5	039773-000	2, 4
039717-000	4	039774-000	4
039720-000	2	039775-000	4
039722-000	5	039777-000	4
039723-000	5	039779-000	3
039724-000	5	039780-000	3
039725-000	4	039781-000	3
039726-000	5	039782-000	3
039727-000	5	039783-000	3
039728-000	3	039784-000	3
039729-000	3	039785-000	3
039730-000	3	039786-000	3
039731-000	5	039787-000	3
039732-000	5	039788-000	3
039733-000	3	039789-000	3
039734-000	3	039790-000	3
039735-000	5	039791-000	3
039736-000	4	039792-000	4
039738-000	2	039793-000	4
039739-000	2	039794-000	2
039752-000	5	039795-000	2
039753-000	5	039796-000	2
039754-000	2	039797-000	2
039755-000	2	039798-000	2
039756-000	4	039799-000	2
039757-000	5	039800-000	2
039758-000	4	039837-000	2
039759-000	5	039838-000	2
039760-000	4	039840-000	3
039761-000	4	039841-000	3
039763-000	4	039842-000	3
039764-000	4	039845-000	3
		039846-000	3



039847-000	3	039894-000	4
039848-000	3	039895-000	4
039851-000	2	039896-000	3
039852-000	2	039897-000	5
039853-000	2	039898-000	4
039854-000	2	039900-000	5
039855-000	3	039901-000	4
039856-000	3	039902-000	5
039857-000	3	039903-000	2
039858-000	3	039904-000	4
039859-000	3	039905-000	4
039860-000	3	039908-000	2
039861-000	3	039909-000	4
039862-000	3	039910-000	4
039863-000	5	039911-000	2
039865-000	5	039912-000	2
039866-000	4	039913-000	5
039867-000	4	039914-000	2
039868-000	5	039915-000	5
039869-000	5	039916-000	2
039870-000	3	039917-000	2, 4, 4
039871-000	2	039918-000	4
039872-000	4, 5	039919-000	5
039873-000	5	039920-000	5
039874-000	5	039921-000	4
039876-000	2, 4, 4, 4, 5	039922-000	4
039877-000	2	039923-000	4
039879-000	2	039924-000	2
039880-000	5	039925-000	2
039882-000	2	039926-000	2
039883-000	4	039928-000	2
039884-000	2	039930-000	3
039885-000	4	039932-000	2
039886-000	5	039933-000	5
039887-000	4	039934-000	5
039888-000	4	039935-000	2
039889-000	5	039936-000	5
039890-000	5	039937-000	4
039891-000	4	039938-000	4
039892-000	3	039941-000	4
039893-000	4	039942-000	4



039943-000	4
039945-000	3
039946-000	2
039949-000	4
039950-000	5
039951-000	5
039952-000	4
039953-000	5
039954-000	5
039955-000	5, 5
039957-000	5
039958-000	4
039971-000	6
040589-000	2
040590-000	2
040591-000	4
040592-000	4
041992-000	2, 6
043241-000	6
043244-002	6
043244-006	6
046542-000	1
050779-000	4
050887-000	4
057515-000	2
059878-000	2
060210-000	2
071566-000	1
PD010019	6
PD020249	6
PD030178	6