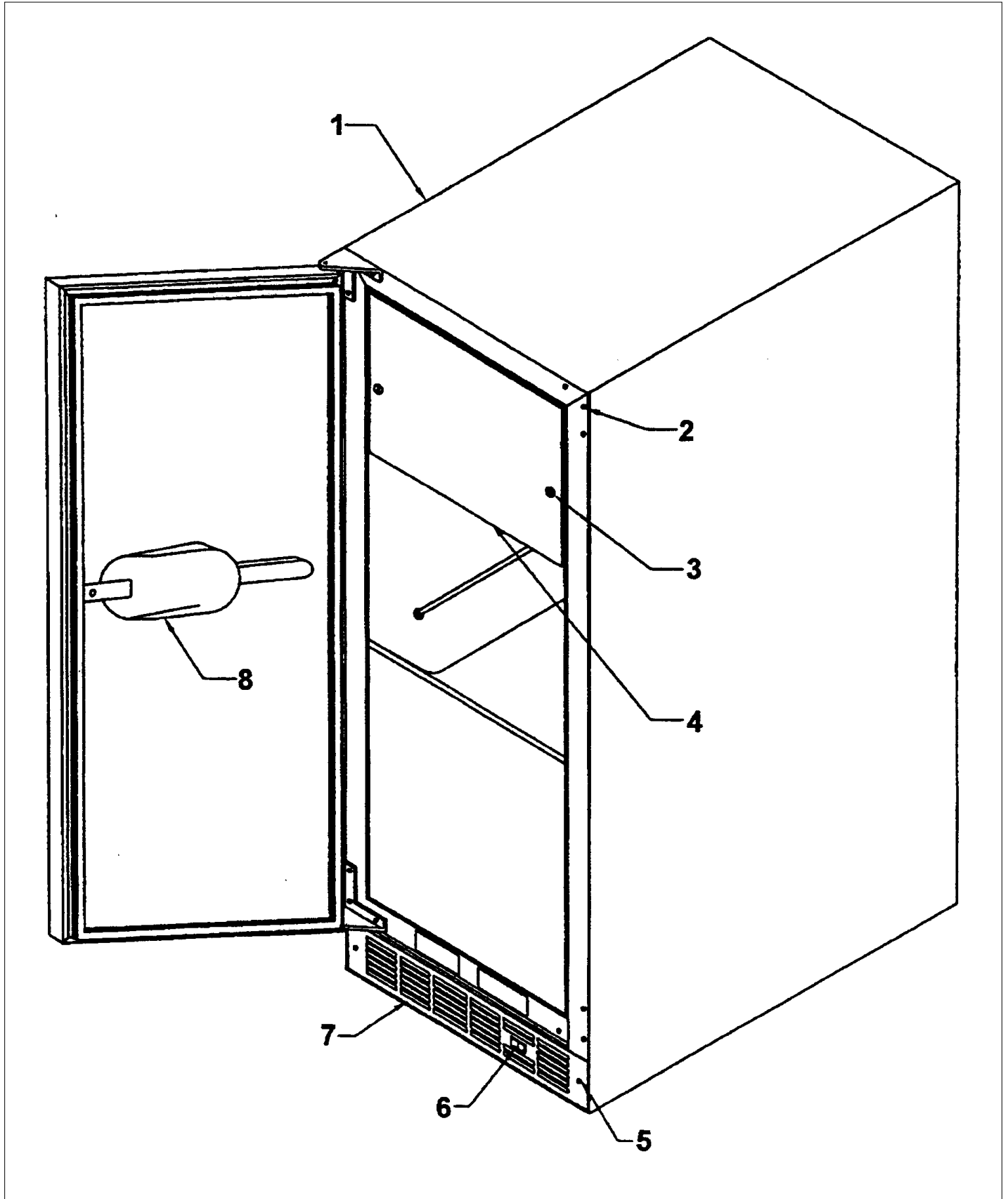


DUIM150

CABINET ASSY	1
DOOR ASSY	2
FUNCTIONAL PARTS	3
INTERNAL ASSY - VIEW 1	4
INTERNAL ASSY - VIEW 2	5
Appendix A:Pages Index	A
Appendix B:Parts Index	B

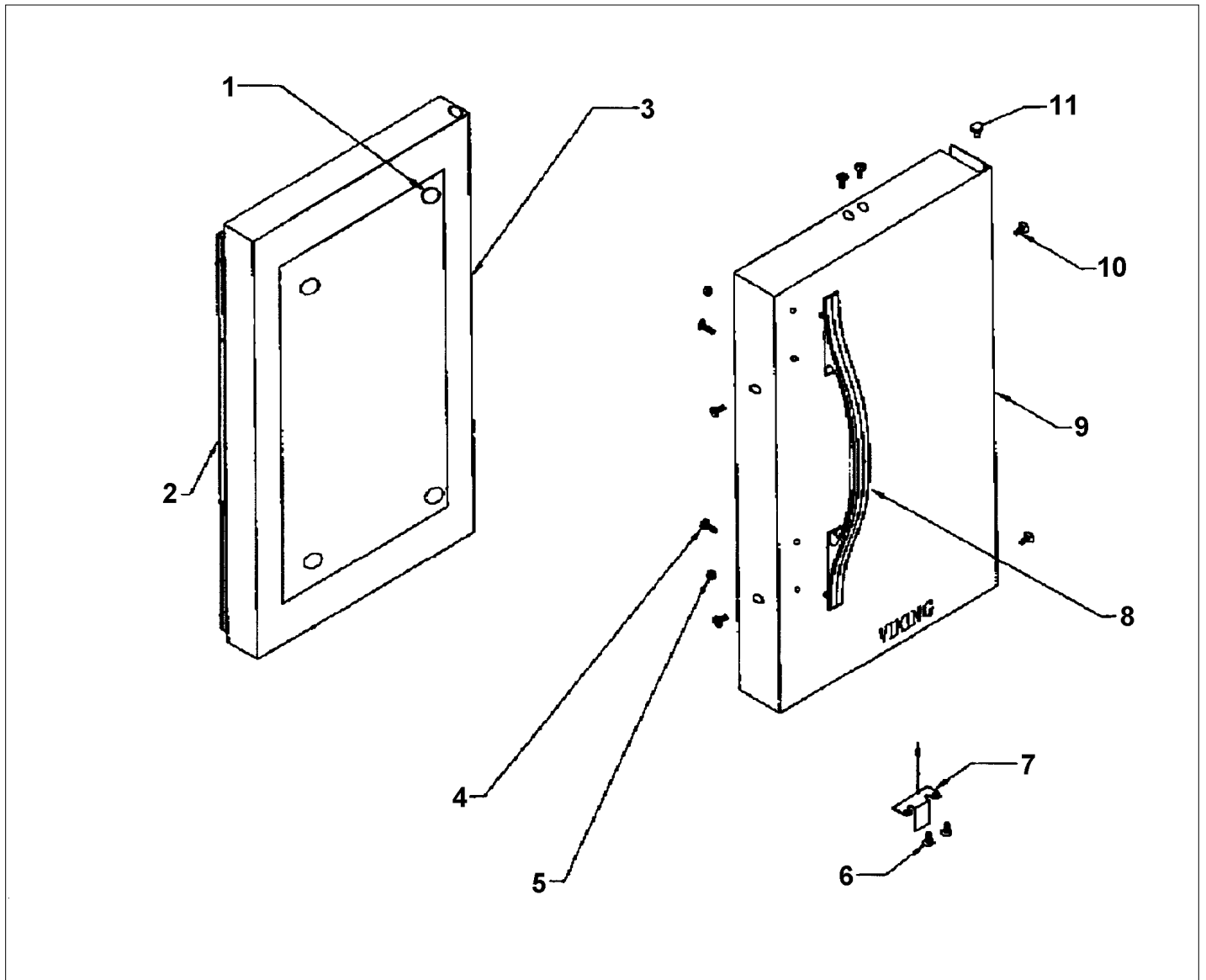
CABINET ASSY





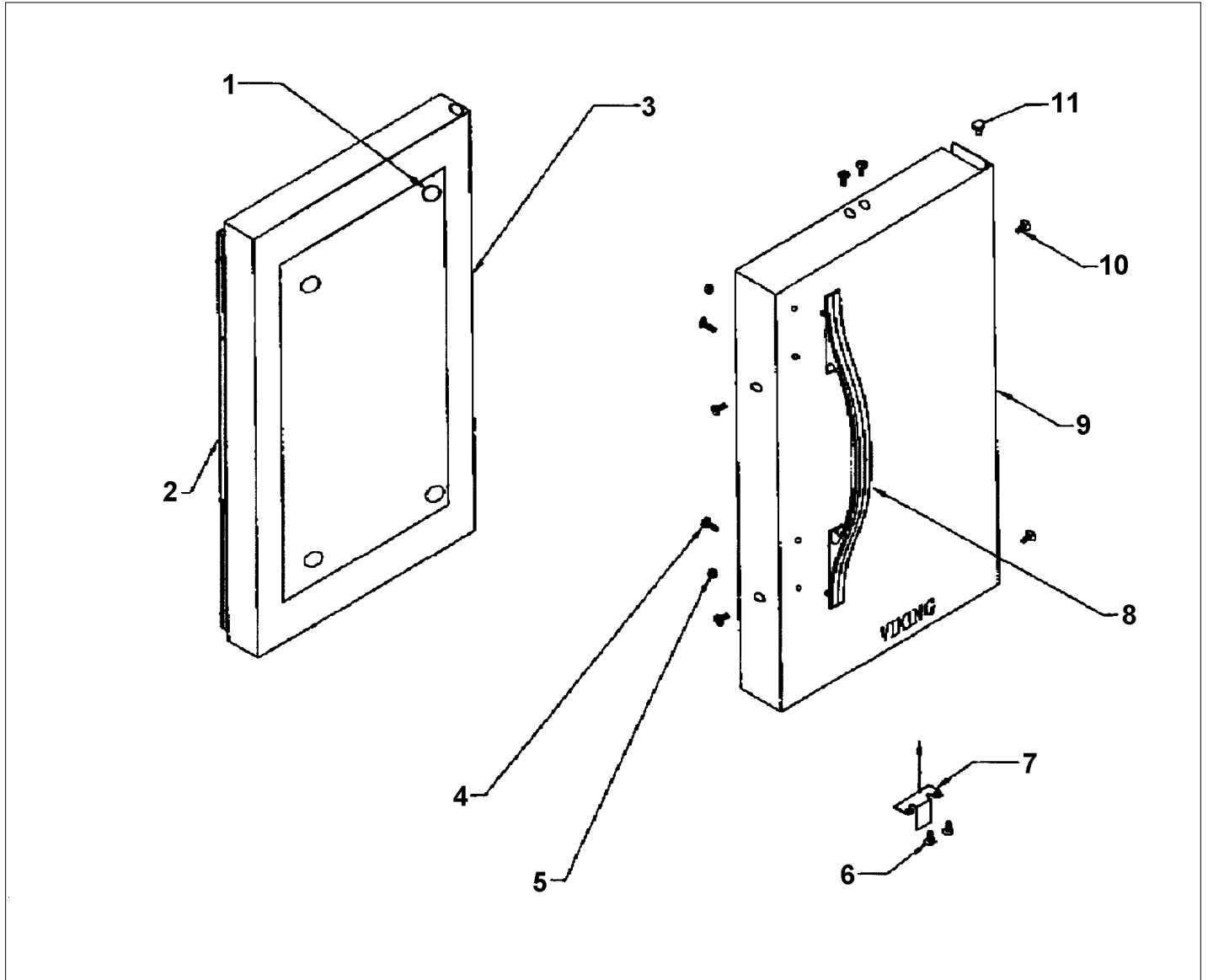
Item	Part No.	Name	Qty	Uom	NOTES
1	NOT REPLACABLE	CABINET ASSEMBLY	1	EA	
2	PW300138	HOLE PLUG	1	EA	Not available online / Call for pricing and availability
3	PART OF ITEM # 4	THUMB SCREW	1	EA	
4	PW300157	ESCUTHEON PNL/SCREW 42242989	1	EA	
5	G3096974*	GRILLE ASSEMBLY	1	EA	Not available online / Call for pricing and availability
6	PW300158	ON/OFF CLEAN SWITCH (VUIM) 42242992	1	EA	
7	PW300144	SCREW, GRILLE - WH (VUIM) 42243104	1	EA	NO LONGER AVAILABLE, Not available online / Call for pricing and availability
Not Shown	PW300165	SCREW, GRILLE - BK (VUIM) 42242847	1	EA	NO LONGER AVAILABLE
8	PW300156	ICE SCOOP (VUIM150) 42242993	1	EA	

DOOR ASSY





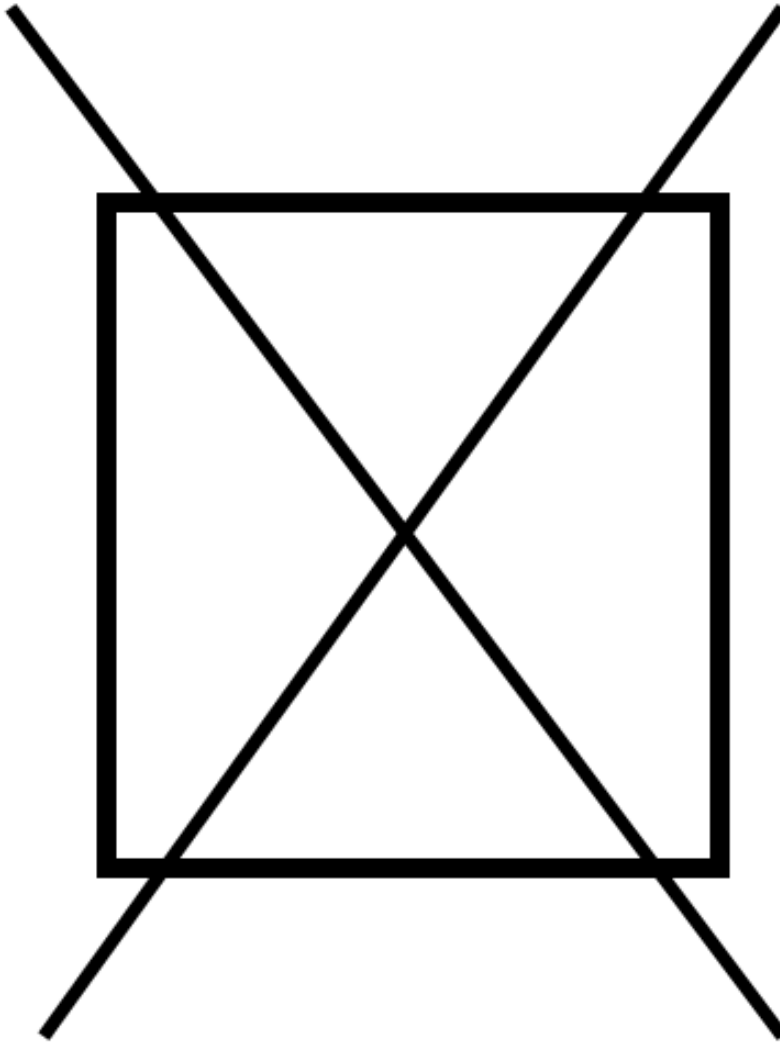
Item	Part No.	Name	Qty	Uom	NOTES
1	PW230039	BUMPER - 41005890	1	EA	Not available online / Call for pricing and availability
2	PW300265	DOOR GASKET (42243388) VUIM150	1	EA	
3	PW230038	ICE MAKER DOOR SUBASSEMBLY (42243726)	1	EA	NO LONGER AVAILABLE
4	PW200049	SCREW (PACK OF 2)	1	EA	NO LONGER AVAILABLE
5	PW200050	HEX-KEP NUT (42247454)	1	EA	NO LONGER AVAILABLE
6	PW200051	SCREW	1	EA	Not available online / Call for pricing and availability
7	PW220013	STRIKER PLATE (41006713)	1	EA	NO LONGER AVAILABLE, Not available online / Call for pricing and availability
8	PE030090	HANDLE - SS	1	EA	Not available online / Call for pricing and availability
Not Shown	PE030090PVD	DOOR HANDLE 27" *BR* PVD	1	EA	NO LONGER AVAILABLE, Not available online / Call for pricing and availability
9	PS100001	DOOR SKIN - SS (LH)	1	EA	Not available online / Call for pricing and availability
Not Shown	L9297545BK	SUB TO C9297545BK - SILK SCREEN (DUIM150)	1	EA	NO LONGER AVAILABLE
Not Shown	C9297545BT	SILK SCREEN (DUIM150)	1	EA	NO LONGER AVAILABLE, Not available online / Call for pricing and availability
Not Shown	C9297545GG	SILK SCREEN (DUIM150)	1	EA	NO LONGER AVAILABLE, Not available online / Call for pricing and availability
Not Shown	C9297545SG	SILK SCREEN (DUIM150)	1	EA	NO LONGER AVAILABLE, Not available online / Call for pricing and availability





Item	Part No.	Name	Qty	Uom	NOTES
Not Shown	L9297545WH	SUB TO C9297545WH - SILK SCREEN (DUIM150)	1	EA	NO LONGER AVAILABLE, Not available online / Call for pricing and availability
Not Shown	PW230042	COMPLETE SOLID DOOR (RH) 42244082	1	EA	NO LONGER AVAILABLE
Not Shown	L9297599BK	DOOR SKIN - BK (RH)	1	EA	Not available online / Call for pricing and availability
Not Shown	C9297599BT	SILK SCREEN (DUIM150DR)	1	EA	NO LONGER AVAILABLE, Not available online / Call for pricing and availability
Not Shown	C9297599GG	SILK SCREEN (DUIM150DR)	1	EA	NO LONGER AVAILABLE, Not available online / Call for pricing and availability
Not Shown	C9297599SG	SILK SCREEN (DUIM150DR)	1	EA	NO LONGER AVAILABLE, Not available online / Call for pricing and availability
Not Shown	L9297599WH	DOOR SKIN - WH (RH)	1	EA	Not available online / Call for pricing and availability
10	PW200052	SCREW	1	EA	Not available online / Call for pricing and availability
11	PW220010	HINGE BUSHING (VUAR/VUWC) 42242282	1	EA	
NI	PW230041	VUIM DOOR ASSEMBLY - LH (SS) 42244083	1	EA	NO LONGER AVAILABLE
NI	PW230042	COMPLETE SOLID DOOR (RH) 42244082	1	EA	NO LONGER AVAILABLE

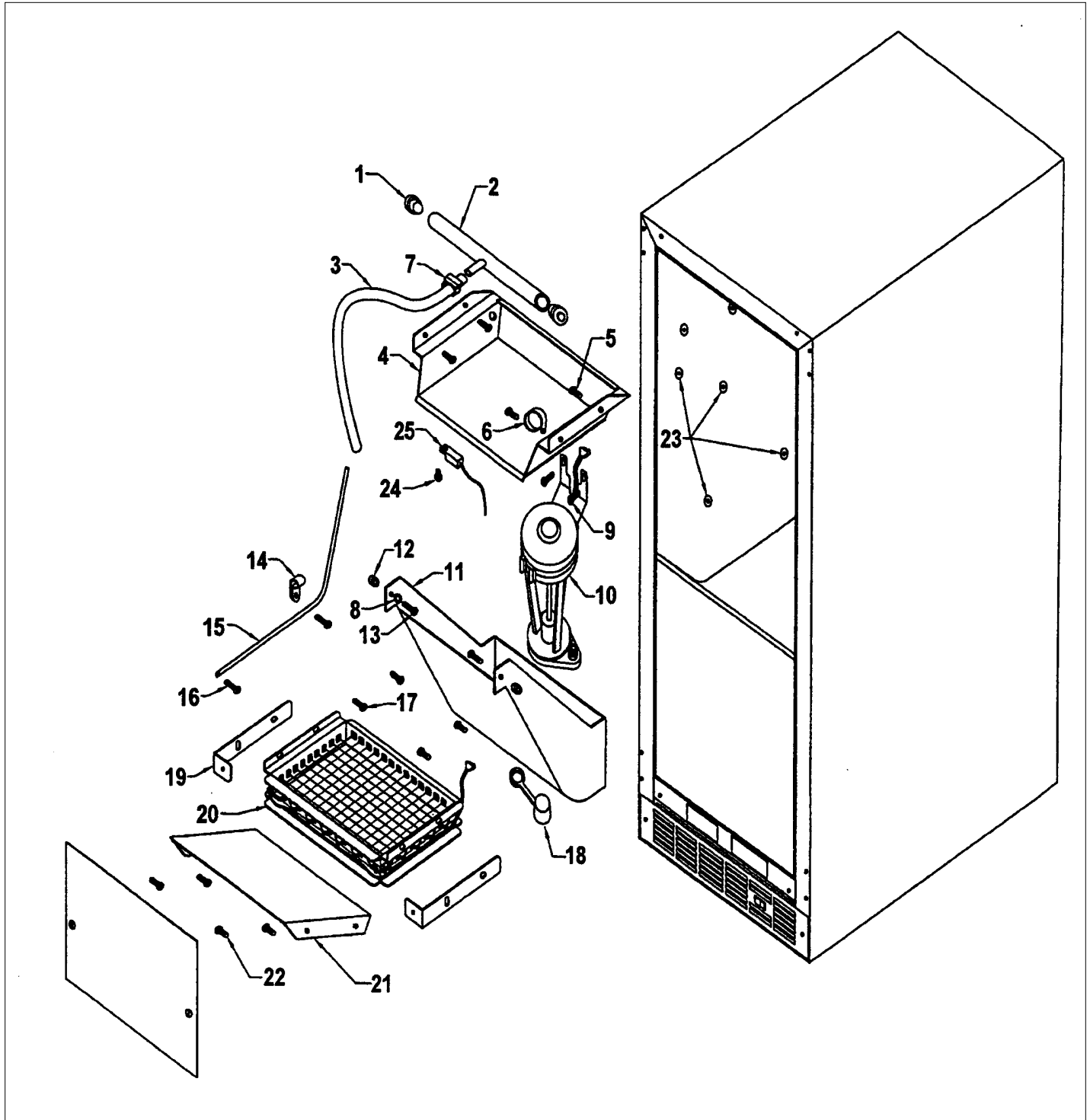
NON
ILLUSTRATED PART



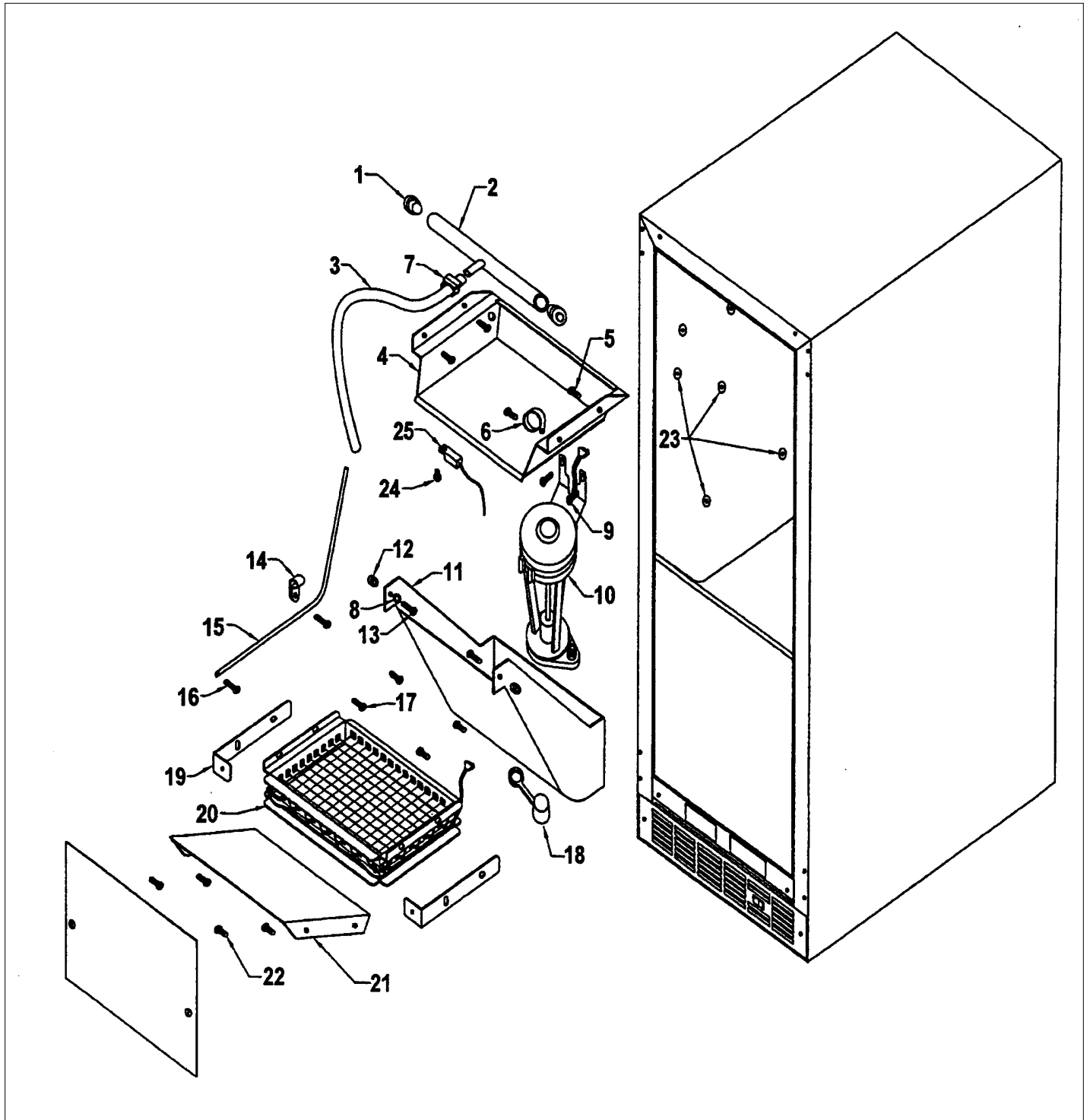


Item	Part No.	Name	Qty	Uom	NOTES
1	PW300188	CIRCULATION PUMP VUIM 42242980	1	EA	
2	PW300193	COMPRESSOR ASSY (VUIM) 42245141	1	EA	
3	PW240012	RUN CAPACITOR (VUWC140) 42242061	1	EA	
4	PW300159	CONDENSER ASSY	1	EA	
5	028417-000	DRAIN VALVE	1	EA	
6	PW300162	DRIER ASSEMBLY (VUIM150) 42242961	1	EA	
7	022797-000	ELECTRONIC CONTROL, SATURN	1	EA	
8	PW300155	EVAPORATOR ASSY (VUIM150) 42242978	1	EA	
9	PW300152	FAN MOTOR ASSY (VUIM150) 42244701	1	EA	
10	011138-000	HOT GAS VALVE	1	EA	
11	PW300158	ON/OFF CLEAN SWITCH (VUIM) 42242992	1	EA	
12	PW300153	POWER CORD (VUIM150) 42242963	1	EA	
13	PW240007	PTC STARTER (VUWC140) 42242427	1	EA	
14	PW300139	SOLENOID COIL (VUIM150) 42241490 NLA	1	EA	
15	PW240008	TERMINAL BLOCK VUWC140 42242407	1	EA	
16	PW300195	THERMISTOR 42243392	1	EA	
17	PW300154	TRANSFORMER (VUIM150) 42242973	1	EA	
18	PW300184	WATER VALVE ASSY (VUIM150), INDOOR UNITS 42249466	1	EA	

INTERNAL ASSY - VIEW 1



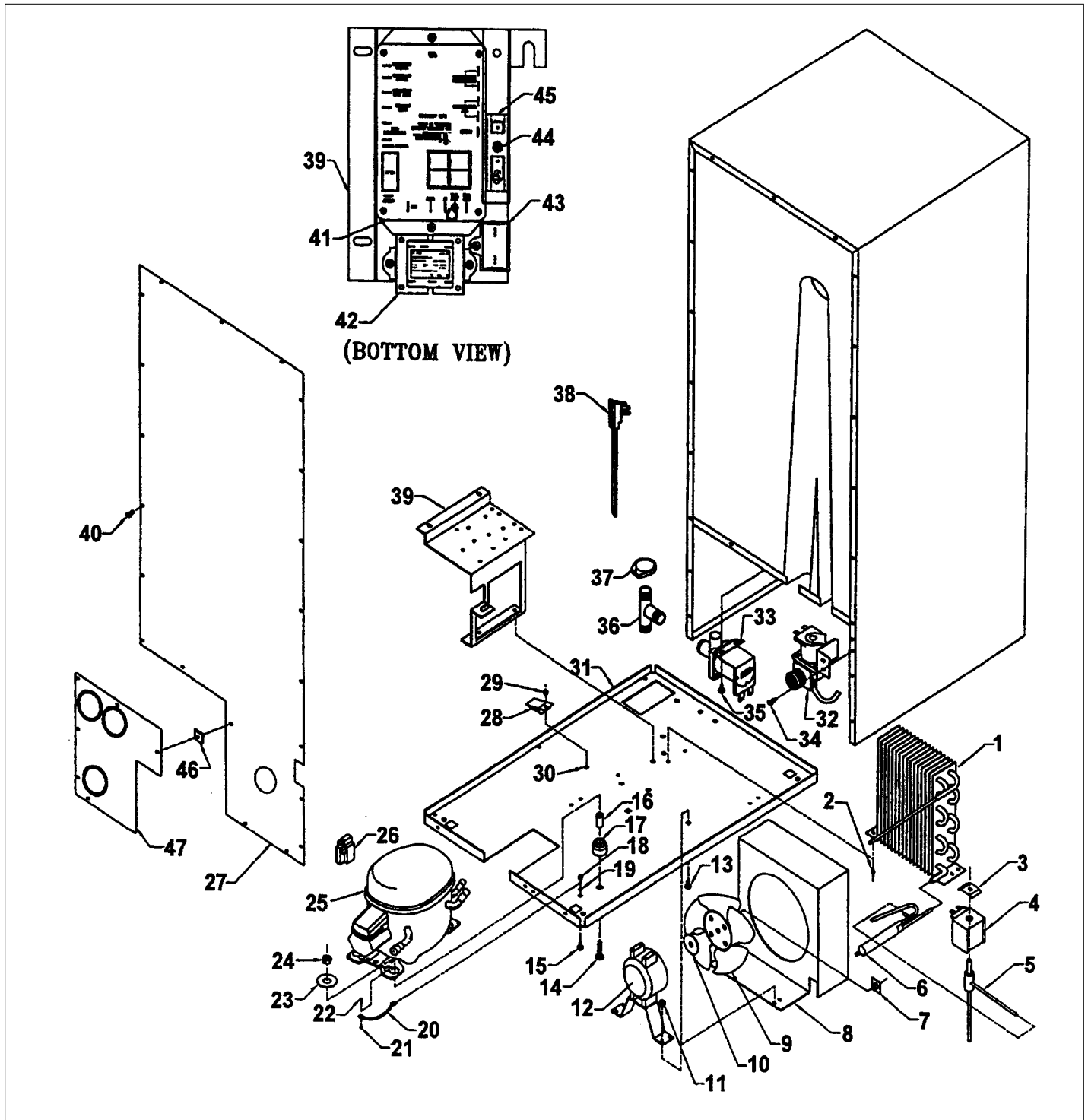
Item	Part No.	Name	Qty	Uom	NOTES
1	PW300187	DISTRIBUTOR TUBE END (VUIM)42242977	1	EA	
2	PW300142	DISTRIBUTOR TUBE (VUIM150) 42242976	1	EA	
3	PART OF NO. 2	TUBING	1	EA	
4	PW300155	EVAPORATOR ASSY (VUIM150) 42242978	1	EA	
5	PW300163	SCREW (VUIM150) 42243357	1	EA	
6	PW300147	CLAMP (41006002)	1	EA	NO LONGER AVAILABLE, Not available online / Call for pricing and availability
7	PW300182	HOSE CLAMP	1	EA	Not available online / Call for pricing and availability
8	PW300164	WASHER	1	EA	Not available online / Call for pricing and availability
9	PW300163	SCREW (VUIM150) 42243357	1	EA	
10	PW300188	CIRCULATION PUMP VUIM 42242980	1	EA	
NI	025147-000	DRAIN PUMP, AUXILIARY, SEALED RESERVOIR	1	EA	
11	PW300189	RESERVOIR (VUIM150) 42242981	1	EA	
12	PW300172	SPACER	1	EA	Not available online / Call for pricing and availability
13	PW300178	SCREW	1	EA	Not available online / Call for pricing and availability
14	PW200011	P CLAMP & SCREWS (PKG 20) 42242071	1	EA	
15	PW300183	THERMISTOR W/SLEEVE 42242986	1	EA	
Not Shown	NOTE	(BEFORE 08-08-07)		EA	
Not Shown	006331-000	BIN THERMISTOR W/SLEEVE	1	EA	
Not Shown	NOTE	(AFTER 08-08-07)		EA	



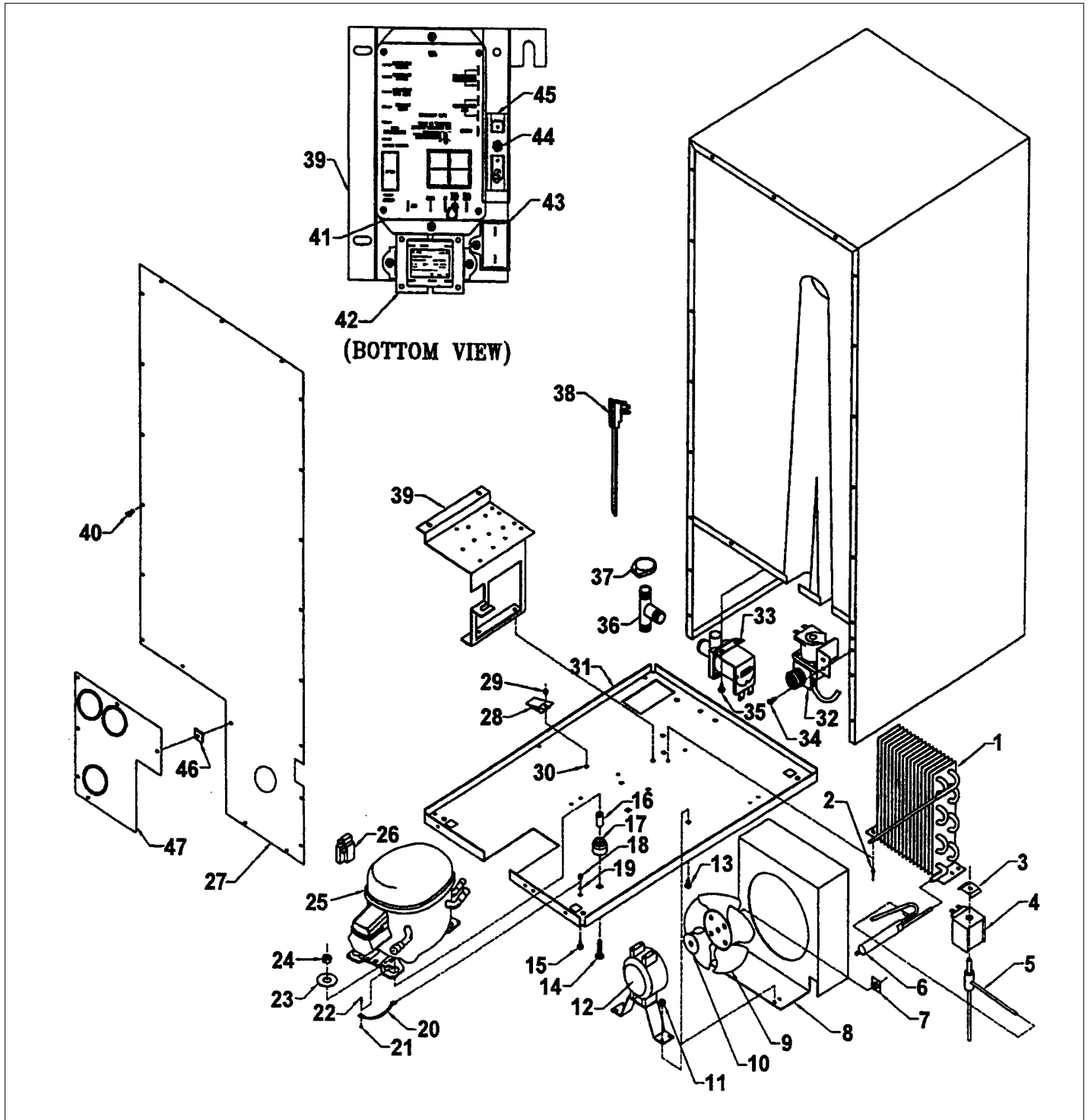


Item	Part No.	Name	Qty	Uom	NOTES
16	PW300163	SCREW (VUIM150) 42243357	1	EA	
17	PW300163	SCREW (VUIM150) 42243357	1	EA	
18	PW300190	DRAIN PLUG (VUIM150) 42242982	1	EA	
19	PW300181	ANGLE BRACKET	1	EA	Not available online / Call for pricing and availability
20	PW300191	GRID CUTTER ASSY (VUIM) 42242984	1	EA	
21	PW300180	DFLCTOR W/SCREWS (VUIM150) 42242985	1	EA	
22	PW300163	SCREW (VUIM150) 42243357	1	EA	
23	PW300175	WELLNUT (VUIM150) 42242987	1	EA	
24	PW300171	SCREW	1	EA	Not available online / Call for pricing and availability
25	PW300195	THERMISTOR 42243392	1	EA	
Not Shown	NOTE	(BEFORE 08-08-07)		EA	
Not Shown	NOTE	THERMISTOR		EA	
Not Shown	NOTE	(AFTER 08-08-07)		EA	

INTERNAL ASSY - VIEW 2

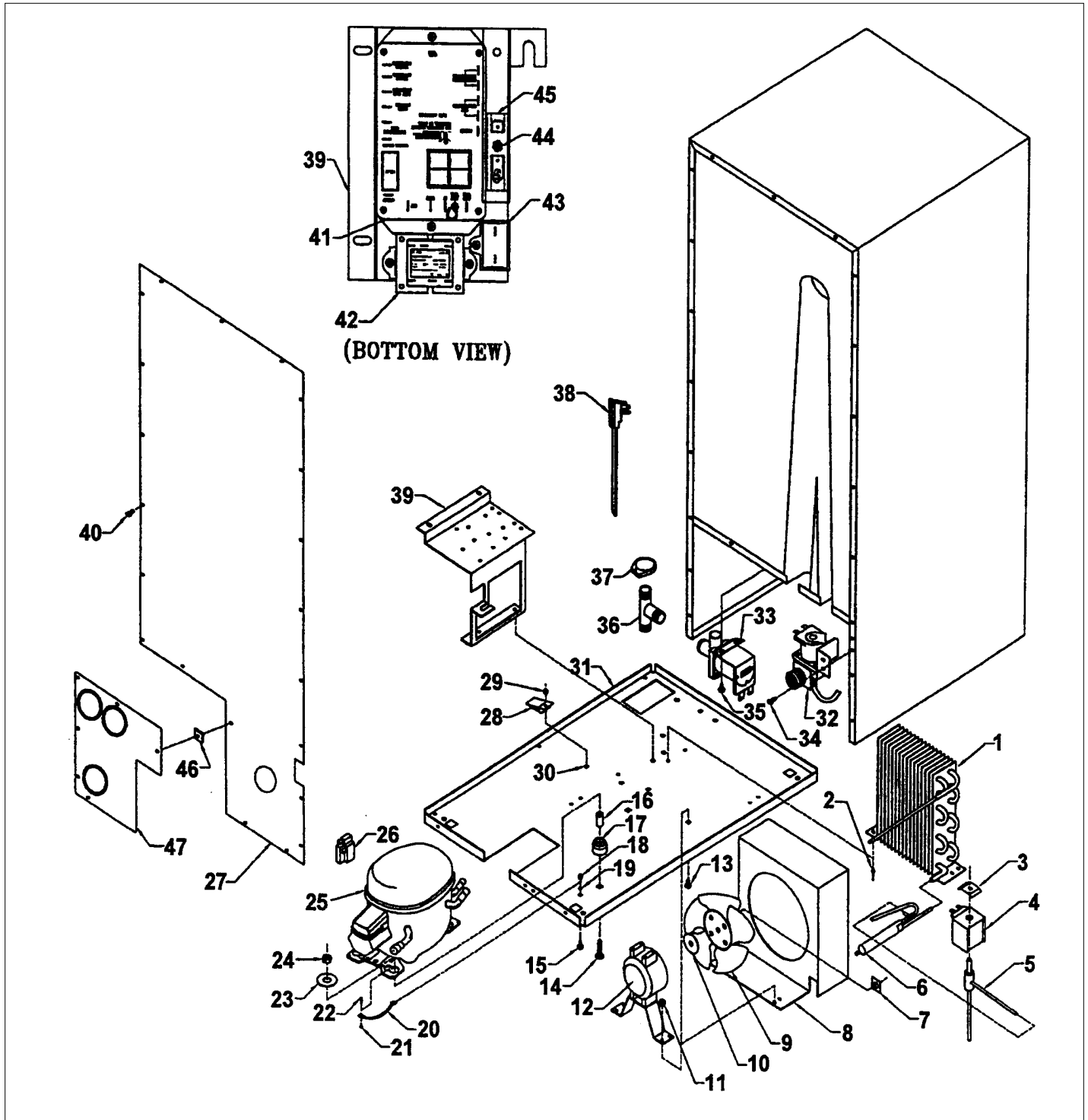


Item	Part No.	Name	Qty	Uom	NOTES
1	PW300159	CONDENSER ASSY	1	EA	
2	PW300141	POP RIVET, SS (VUIM150) 42243617	1	EA	NO LONGER AVAILABLE, Not available online / Call for pricing and availability
3	PW300140	CELL RETAINER	1	EA	NO LONGER AVAILABLE
4	PW300139	SOLENOID COIL (VUIM150) 42241490 NLA	1	EA	
5	011138-000	HOT GAS VALVE	1	EA	
6	PW300162	DRIER ASSEMBLY (VUIM150) 42242961	1	EA	
7	PW200020	NUT, TINNERMAN	1	EA	Not available online / Call for pricing and availability
8	PW300145	FAN SHROUD (VUIM150) 42242902	1	EA	
9	PW200037	FAN BLADE	1	EA	
10	PW200036	SILENCER, FAN MOTOR SPACER	1	EA	Not available online / Call for pricing and availability
11	PW300169	LOCK NUT	1	EA	Not available online / Call for pricing and availability
12	PW300152	FAN MOTOR ASSY (VUIM150) 42244701	1	EA	
13	PW300168	CARRIAGE BOLT (VUIM150) 42243618	1	EA	NO LONGER AVAILABLE
14	PW300166	CARRIAGE BOLT	1	EA	Not available online / Call for pricing and availability
15	PW300168	CARRIAGE BOLT (VUIM150) 42243618	1	EA	NO LONGER AVAILABLE
16	PW200030	SLEEVE, COMPRESSOR	1	EA	Not available online / Call for pricing and availability
17	PW200040	COMPRESSOR ASSEMBLY 42242580	1	EA	
18	PW300169	LOCK NUT	1	EA	Not available online / Call for pricing and availability





Item	Part No.	Name	Qty	Uom	NOTES
19	PW300143	LOCK WASHER (VUIM150) 42243619	1	EA	NO LONGER AVAILABLE
20	PW300137	Ground Wire	1	EA	Not available online / Call for pricing and availability
21	PW200027	NO. 8 STAR WASHER	1	EA	
22	PW300167	SCREW (VUIM150) 42243240	1	EA	NO LONGER AVAILABLE
23	PW200018	FLAT WASHER	1	EA	
24	PW200017	LOCK NUT .25-.20 UNC	1	EA	NO LONGER AVAILABLE, Not available online / Call for pricing and availability
25	PW300193	COMPRESSOR ASSY (VUIM) 42245141	1	EA	
26	PW240007	PTC STARTER (VUWC140) 42242427	1	EA	
27	PW300174	BACK PANEL (VUIM150) 42242962	1	EA	NO LONGER AVAILABLE
28	PW300170	POWER CORD CLAMP	1	EA	Not available online / Call for pricing and availability
29	PW300169	LOCK NUT	1	EA	Not available online / Call for pricing and availability
30	PW300168	CARRIAGE BOLT (VUIM150) 42243618	1	EA	NO LONGER AVAILABLE
31	PW300173	BASE PLATE (42242964)	1	EA	
32	PW300184	WATER VALVE ASSY (VUIM150), INDOOR UNITS 42249466	1	EA	
33	028417-000	DRAIN VALVE	1	EA	
34	PW200004	SCREW LENS COVER 42243354	1	EA	
35	PW200004	SCREW LENS COVER 42243354	1	EA	
36	PW300176	TEE FITTING 42242967	1	EA	
37	PW300177	HOSE CLAMP	1	EA	Not available online / Call for pricing and availability





Item	Part No.	Name	Qty	Uom	NOTES
38	PW300153	POWER CORD (VUIM150) 42242963	1	EA	
39	PW300146	BRACKET (VUIM150) 42242968	1	EA	NO LONGER AVAILABLE, Not available online / Call for pricing and availability
40	PW200004	SCREW LENS COVER 42243354	1	EA	
41	022797-000	ELECTRONIC CONTROL, SATURN	1	EA	
Not Shown	NOTE	(BEFORE 08-08-07)		EA	
004566-000	017662-000	ELECTRONIC CONTROL, SATURN	1	EA	
Not Shown	NOTE	(AFTER 08-08-07)		EA	
42	PW300154	TRANSFORMER (VUIM150) 42242973	1	EA	
43	PW240012	RUN CAPACITOR (VUWC140) 42242061	1	EA	
44	PW200029	SCREW	1	EA	NO LONGER AVAILABLE
45	PW240008	TERMINAL BLOCK VUWC140 42242407	1	EA	
46	PW300179	U-CLIP W/SCREWS (VUIM150) 42243015	1	EA	NO LONGER AVAILABLE
47	PW300192	ACCESS PANEL ASSY (VUIM) 42243016	1	EA	



Appendix A:Pages Index

CABINET ASSY	1
DOOR ASSY	2
FUNCTIONAL PARTS	3
INTERNAL ASSY - VIEW 1	4
INTERNAL ASSY - VIEW 2	5



Appendix B:Parts Index

006331-000	4	PW230042	2, 2
011138-000	3, 5	PW240007	3, 5
017662-000	5	PW240008	3, 5
022797-000	3, 5	PW240012	3, 5
025147-000	4	PW300137	5
028417-000	3, 5	PW300138	1
C9297545BT	2	PW300139	3, 5
C9297545GG	2	PW300140	5
C9297545SG	2	PW300141	5
C9297599BT	2	PW300142	4
C9297599GG	2	PW300143	5
C9297599SG	2	PW300144	1
G3096974*	1	PW300145	5
L9297545BK	2	PW300146	5
L9297545WH	2	PW300147	4
L9297599BK	2	PW300152	3, 5
L9297599WH	2	PW300153	3, 5
PE030090	2	PW300154	3, 5
PE030090PVD	2	PW300155	3, 4
PS100001	2	PW300156	1
PW200004	5, 5, 5	PW300157	1
PW200011	4	PW300158	1, 3
PW200017	5	PW300159	3, 5
PW200018	5	PW300162	3, 5
PW200020	5	PW300163	4, 4, 4, 4, 4
PW200027	5	PW300164	4
PW200029	5	PW300165	1
PW200030	5	PW300166	5
PW200036	5	PW300167	5
PW200037	5	PW300168	5, 5, 5
PW200040	5	PW300169	5, 5, 5
PW200049	2	PW300170	5
PW200050	2	PW300171	4
PW200051	2	PW300172	4
PW200052	2	PW300173	5
PW220010	2	PW300174	5
PW220013	2	PW300175	4
PW230038	2	PW300176	5
PW230039	2	PW300177	5
PW230041	2	PW300178	4
		PW300179	5



PW300180	4
PW300181	4
PW300182	4
PW300183	4
PW300184	3, 5
PW300187	4
PW300188	3, 4
PW300189	4
PW300190	4
PW300191	4
PW300192	5
PW300193	3, 5
PW300195	3, 4
PW300265	2