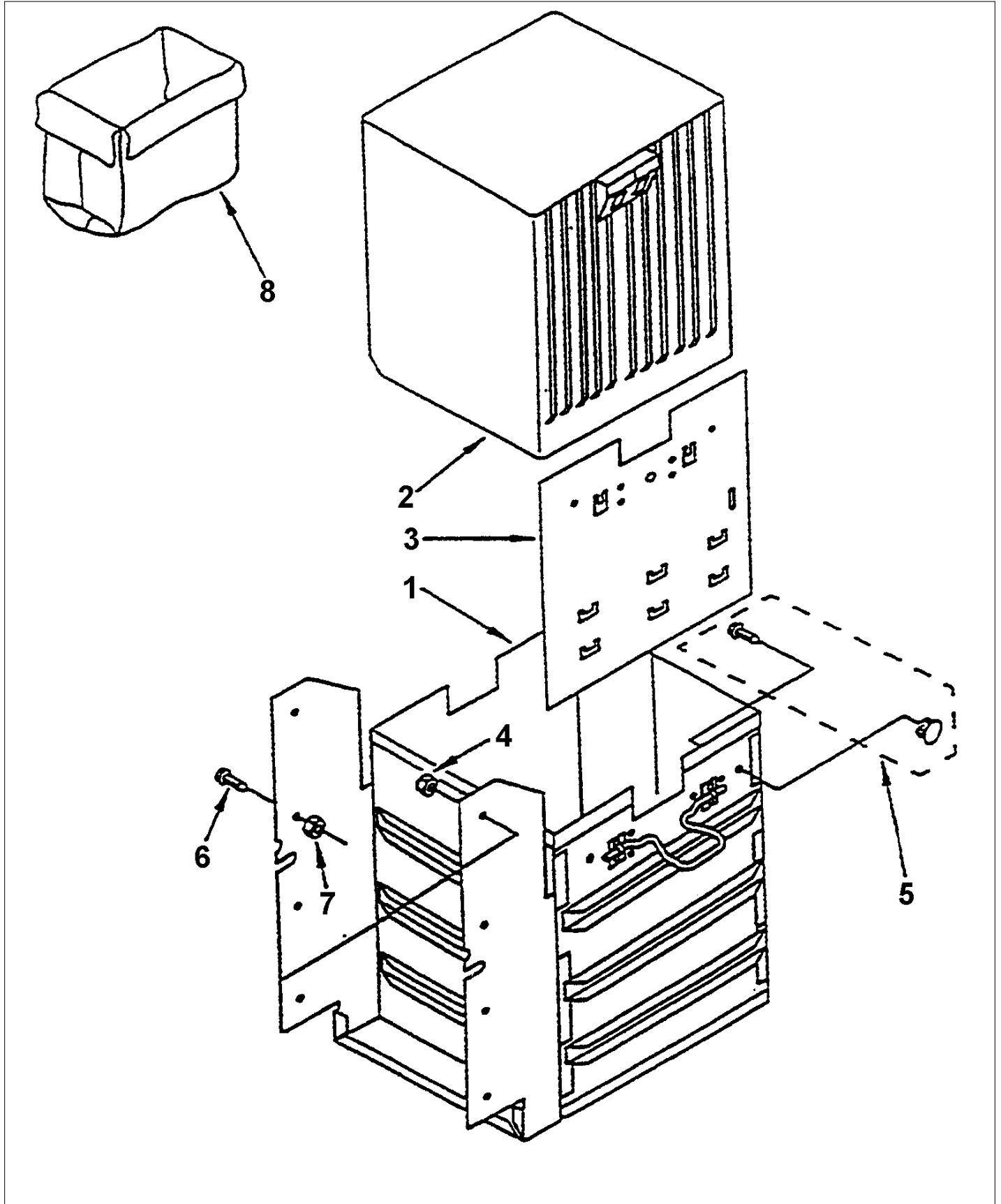


DUC180

CONTAINER ASSEMBLY	1
CONTROL PANEL	2
DOOR ASSEMBLY	3
DRIVE MOTOR & RAM PARTS	4
EXTERIOR ASSEMBLY	5
FRAME	6
Appendix A:Pages Index	A
Appendix B:Parts Index	B

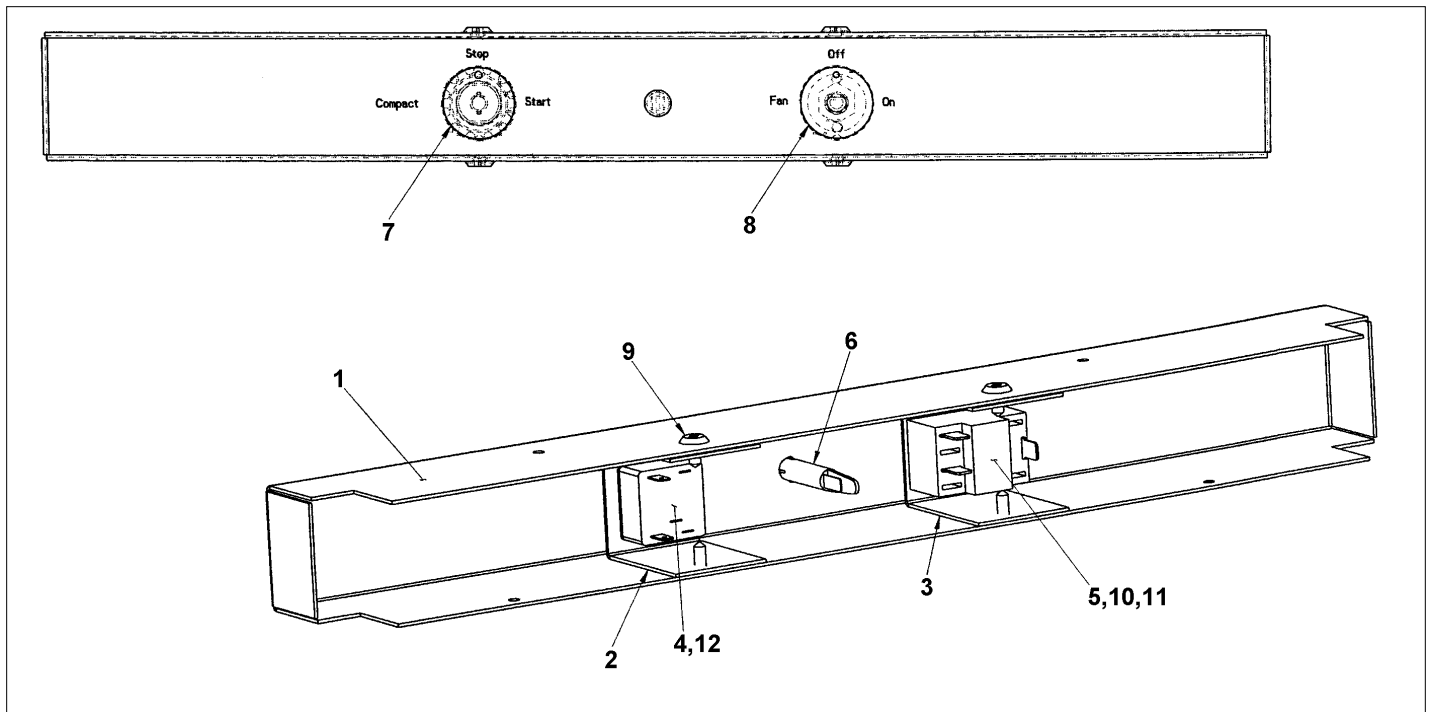
CONTAINER ASSEMBLY



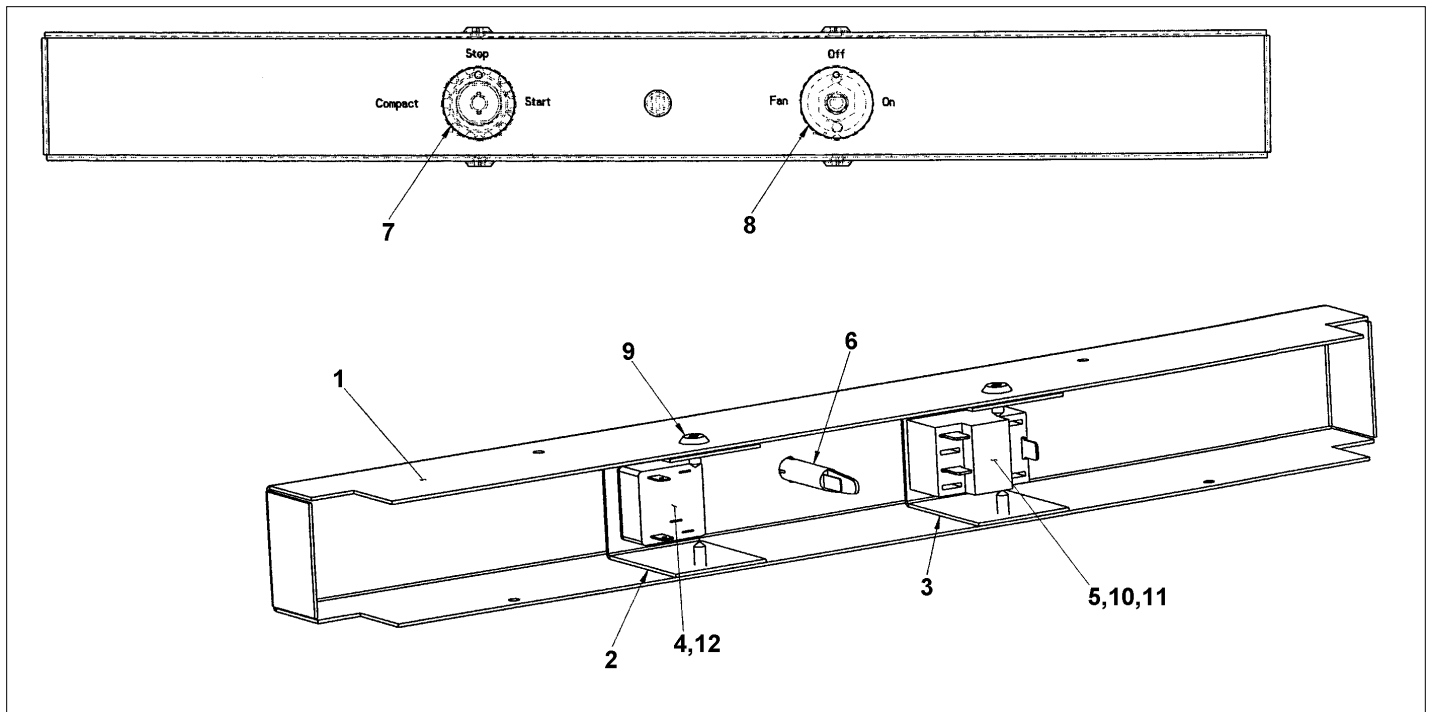


Item	Part No.	Name	Qty	Uom	NOTES
1	PC130006	CONTAINER	1	EA	
2	PC110024	SUB TO G50012660 - CONTAINER LINER	1	EA	NO LONGER AVAILABLE
3	PC110028	RELIEF PLATE	1	EA	
4	PC100038	#10-32 NUT	1	EA	NO LONGER AVAILABLE
5	PC100041	BAG RETAINER	1	EA	NO LONGER AVAILABLE
6	PD010009	#10-32 X 3/8" PH.TR.HD.	1	EA	
7	PC100042	LOCK NUT	1	EA	
8	SALES ITEM	TRASH BAGS	1	EA	
NI	PC120015	POWER CORD	1	EA	
NI	PC120016	WIRING HARNESS-MAIN	1	EA	
NI	PC120017	WIRING HARNESS-RAM SWITCH TO KEY	1	EA	
NI	PC120018	WIRING HARNESS-ROCKER SWITCH TO FAN	1	EA	
NI	PC120019	WIRING HARNESS-MTR DR TO DIRECT SWT	1	EA	
NI	PC120020	WIRING HARNESS-INTERLOCK TO BYPASS	1	EA	Not available online / Call for pricing and availability
NI	PC120021	WIRING HARNESS-POWER DISTRIBUTION	1	EA	

CONTROL PANEL



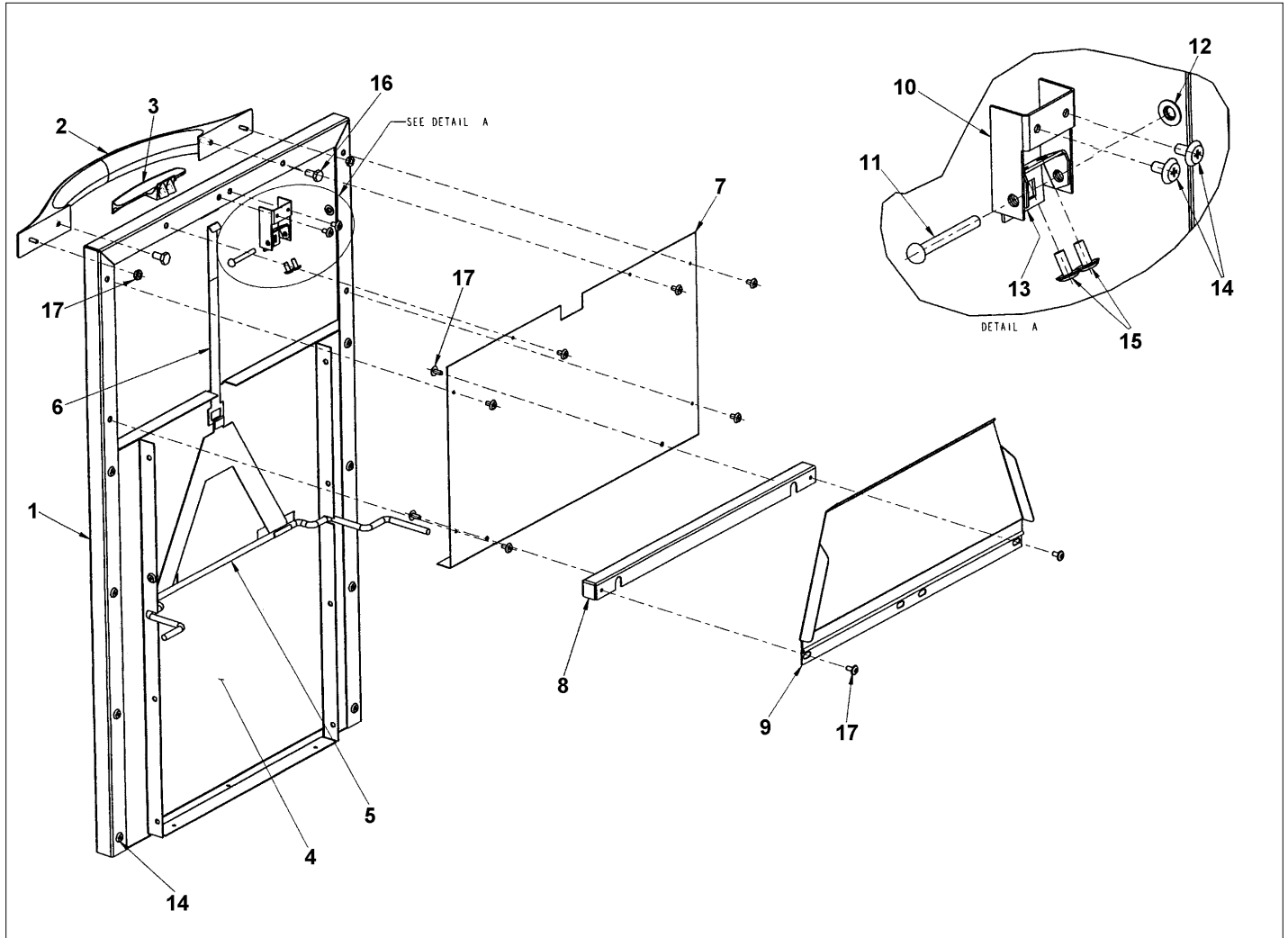
Item	Part No.	Name	Qty	Uom	NOTES
1	B9207684	CONTROL PANEL (DUC180)	1	EA	NO LONGER AVAILABLE
Not Shown	C9207684BK	CONTROL PANEL *BK*	1	EA	NO LONGER AVAILABLE
Not Shown	C9207684BT	CONTROL PANEL - BT	1	EA	Not available online / Call for pricing and availability
Not Shown	C9207684GG	CONTROL PANEL - GG	1	EA	Not available online / Call for pricing and availability
Not Shown	C9207684SG	CONTROL PANEL - SG	1	EA	Not available online / Call for pricing and availability
Not Shown	C9207684WH	CONTROL PANEL *WH*	1	EA	
2	A2007680	FAN SWITCH BRACKET	1	EA	NO LONGER AVAILABLE, Not available online / Call for pricing and availability
3	A2007682	KEYLOCK SWITCH BRACKET	1	EA	Not available online / Call for pricing and availability
4	PE050117	FAN SWITCH -DESIGN. TRASH COMPACTOR	1	EA	
5	PC120012BK	ROTARY SWITCH (FOR BLACK MODELS)	1	EA	
6	PE050073	DESIGNER INDICATOR LT	1	EA	
7	PA010128	SELECTOR KNOB ASSY	1	EA	
Not Shown	PA010128PVD	SELECTOR KNOB ASSY BRASS	1	EA	NO LONGER AVAILABLE
Not Shown	PA010132	SELECTOR KNOB ASSY GRAY	1	EA	Not available online / Call for pricing and availability
Not Shown	PA010132PVD	KEY KNOB ASSY. - WH / BR	1	EA	Not available online / Call for pricing and availability
8	PA010127	FAN SWITCH KNOB ASSY	1	EA	
Not Shown	PA010127PVD	FAN SWITCH KNOB ASSY BRASS	1	EA	NO LONGER AVAILABLE



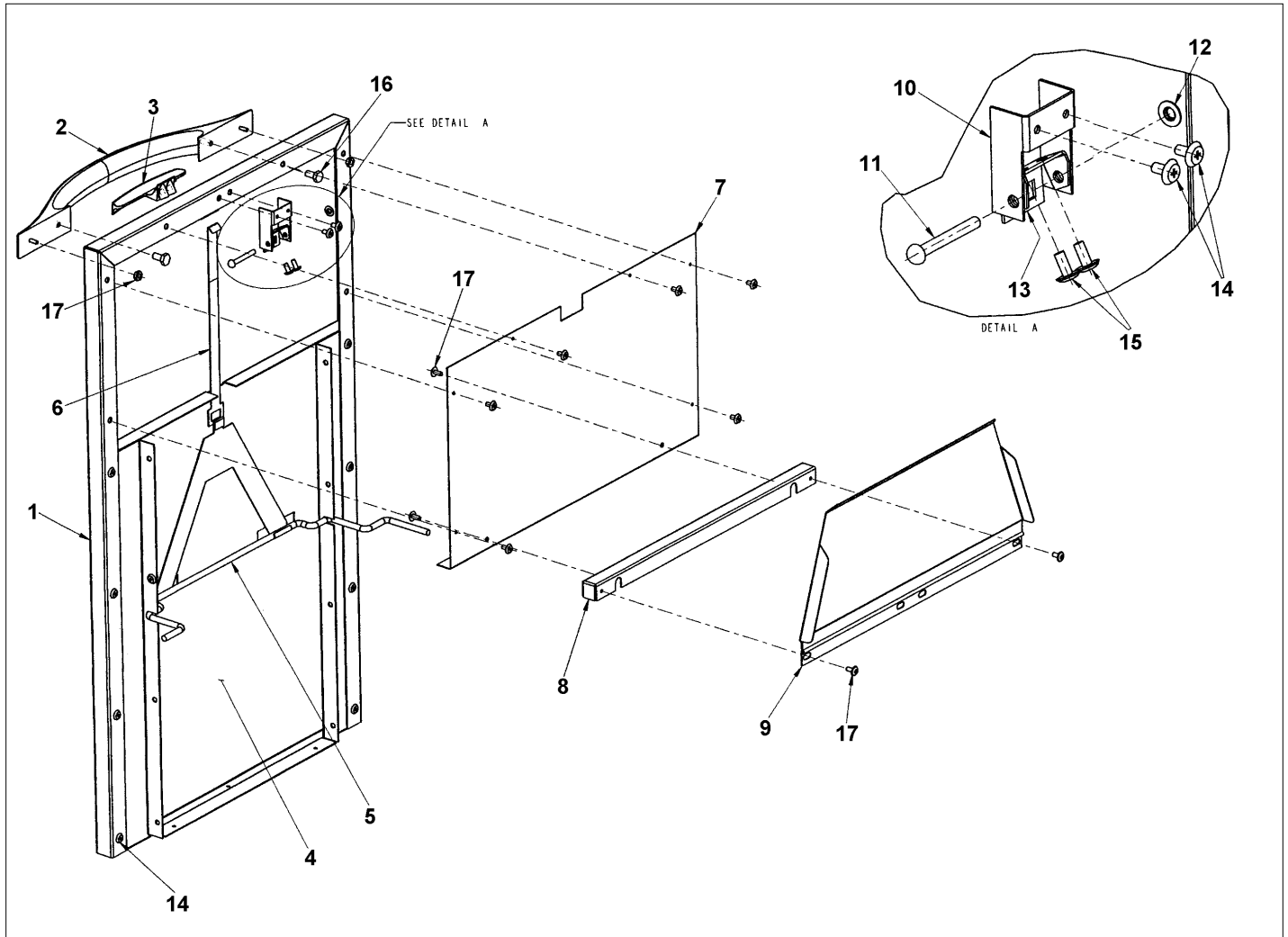


Item	Part No.	Name	Qty	Uom	NOTES
Not Shown	PA010131	FAN KNOB ASSY. - WH	1	EA	Not available online / Call for pricing and availability
Not Shown	PA010131PVD	FAN KNOB ASSY. - WH / BR	1	EA	Not available online / Call for pricing and availability
9	PD020032	SRW-8(A)X3/8"PH.WFR HD 7/16DIA*NICL	1	EA	
10	PC100052	WASHER	1	EA	
11	PC100047BK	SWITCH NUT (BLACK)	1	EA	Not available online / Call for pricing and availability
Not Shown	PC100047SS	SWITCH NUT (S.S.)	1	EA	
Not Shown	PC100047WH	SWITCH NUT	1	EA	Not available online / Call for pricing and availability
12	PD020084	6-32 X 1/4 PAN PHIL TYPE F *SS*	1	EA	

DOOR ASSEMBLY



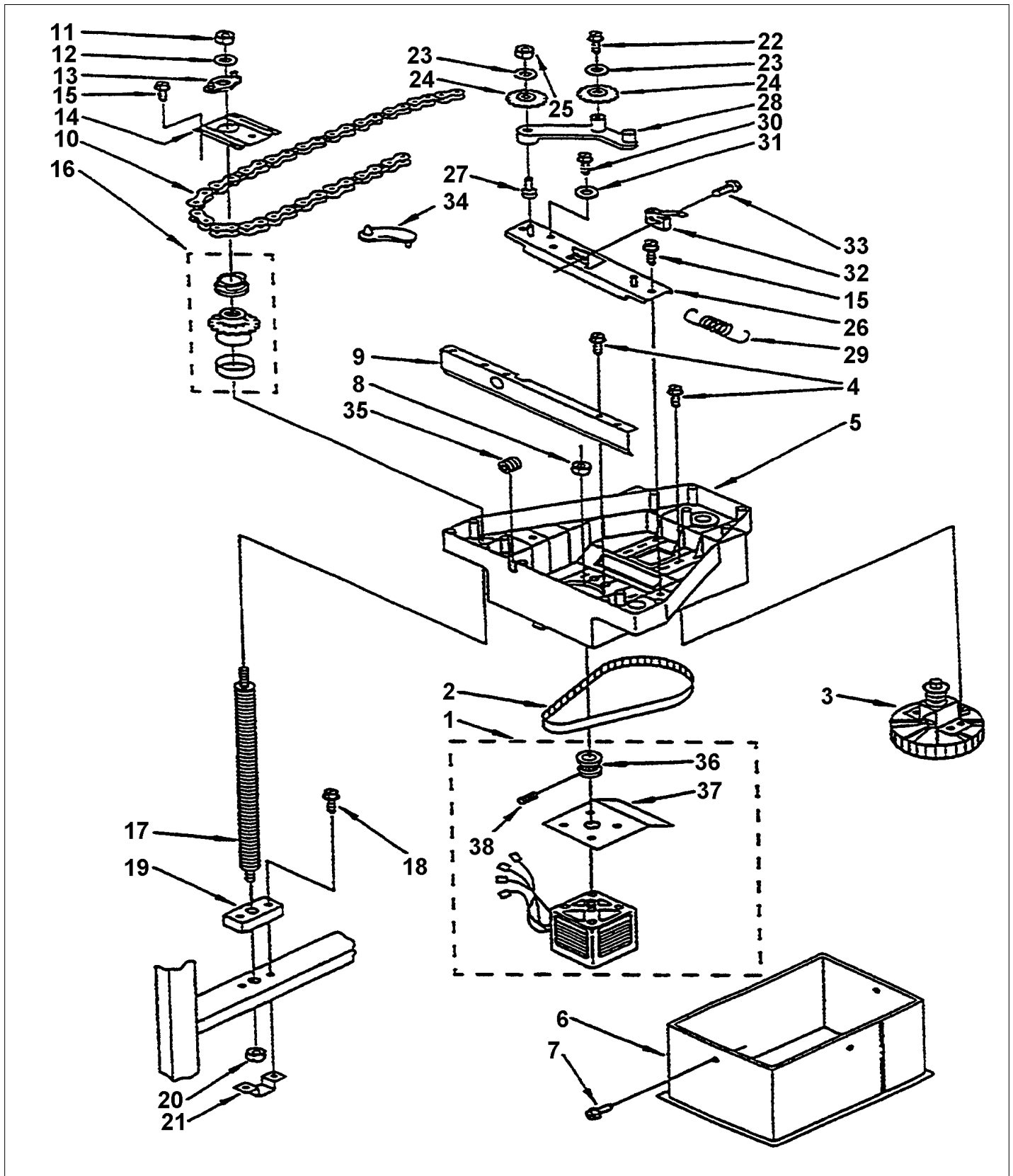
Item	Part No.	Name	Qty	Uom	NOTES
1	B3007683	FRONT DOOR DUC180	1	EA	NO LONGER AVAILABLE
Not Shown	C9007683BK	DOOR SKIN *BK* DESIGN COMPACTOR	1	EA	NO LONGER AVAILABLE
Not Shown	C9007683BT	O/S DOOR PANEL - BT	1	EA	Not available online / Call for pricing and availability
Not Shown	C9007683GG	DOOR SKIN *GG* DESIGN COMPACTOR	1	EA	NO LONGER AVAILABLE, Not available online / Call for pricing and availability
Not Shown	C9007683SG	O/S DOOR PANEL - SG	1	EA	Not available online / Call for pricing and availability
Not Shown	C9007683WH	DOOR SKIN *WH* DESIGN COMPACTOR	1	EA	Not available online / Call for pricing and availability
2	PE030168	DESIGNER COMPACTOR HANDLE	1	EA	
Not Shown	PE030168PVD	DESIGNER COMPACTOR HANDLE PVD	1	EA	NO LONGER AVAILABLE
3	PE030118	LIFT HANDLE DUC180	1	EA	
Not Shown	PE030118PVD	BRASS LIFT HANDLE (DESIGNER COMPACTOR)	1	EA	NO LONGER AVAILABLE, Not available online / Call for pricing and availability
4	A2007686	FRONT CONTAINER	1	EA	NO LONGER AVAILABLE
5	PC120011	LATCH ASSEMBLY	1	EA	NO LONGER AVAILABLE
6	A2007929	LATCH EXTENSION DUC180	1	EA	NO LONGER AVAILABLE
7	B2007685	DOOR COVER	1	EA	NO LONGER AVAILABLE, Not available online / Call for pricing and availability
8	B2008291	BRACKET, STORAGE COVER	1	EA	NO LONGER AVAILABLE
9	G3108298	STORAGE COVER ASSEMBLY (DUC180)	1	EA	
10	A2007927	LATCH HINGE	1	EA	
11	PC100040	PIN	1	EA	



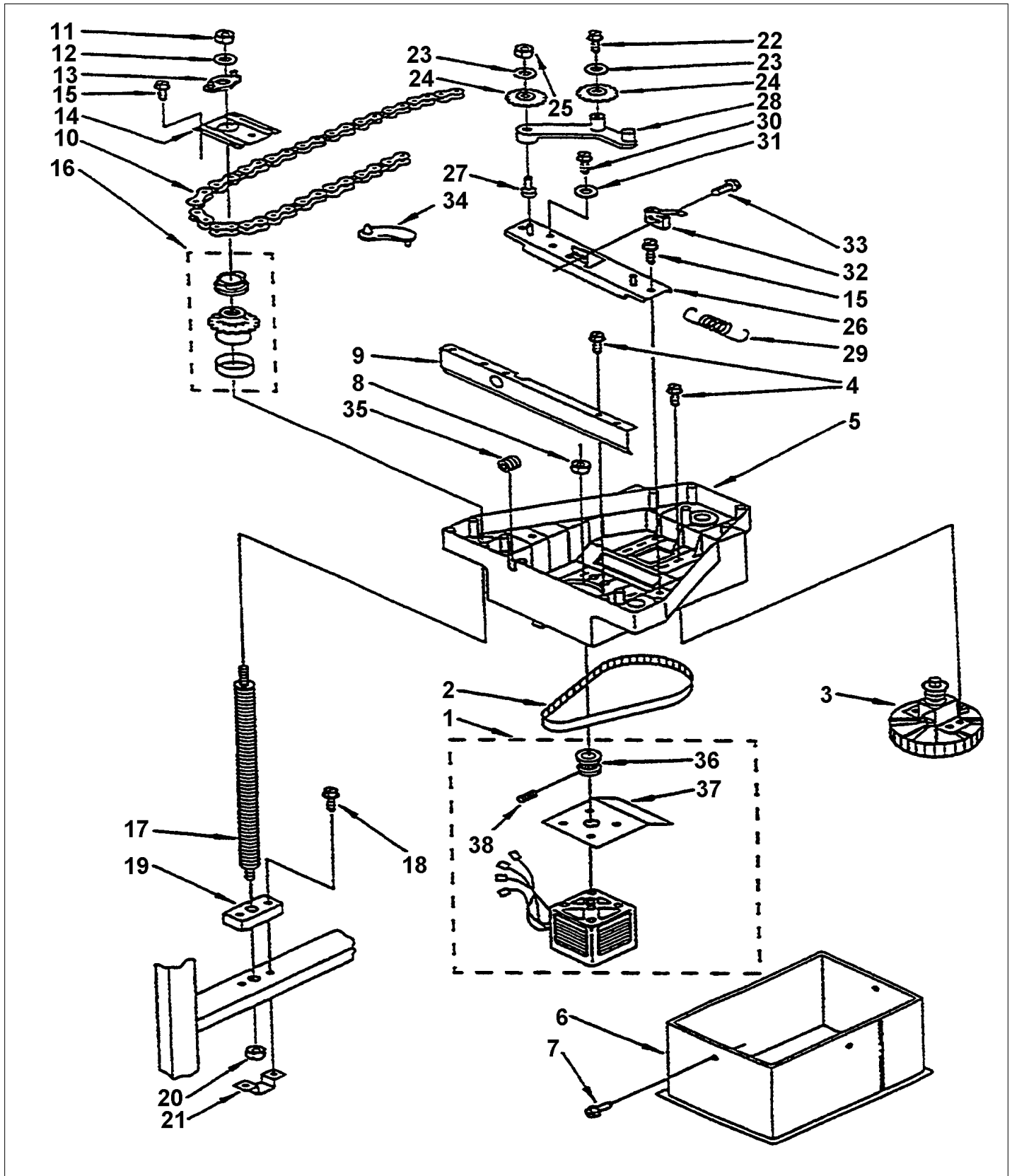


Item	Part No.	Name	Qty	Uom	NOTES
12	PC100053	NLA	1	EA	
13	A2007928	LATCH, ELBOW	1	EA	
14	PD020032	SRW-8(A)X3/8"PH.WFR HD 7/16DIA*NICL	1	EA	
15	PD020004	10X3/8PH.HD.TYPE 25 REPL PD040125	1	EA	
16	PD010019	BLT-1/4-20X3/8"HEX WASHER SERATED	1	EA	
17	PD020002	10 X 1/2 PH.TR.HD.SMS.	1	EA	
18	PD030044	10-24 KEPS NUT *SS*	1	EA	
NI	014340-000	COMPACTOR, DOOR, SST, DESIGNER	1	EA	

DRIVE MOTOR & RAM PARTS

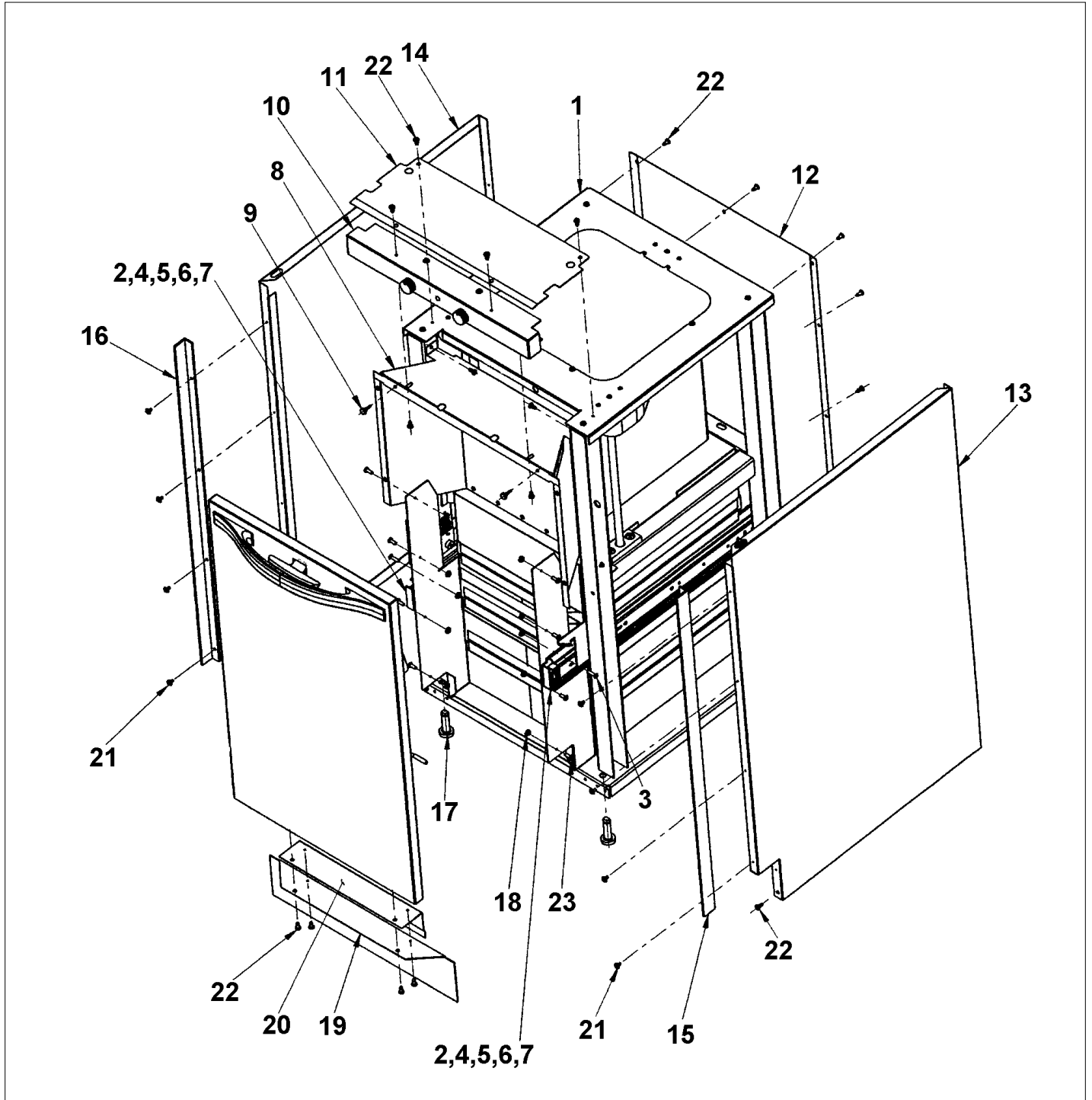


Item	Part No.	Name	Qty	Uom	NOTES
1	029927-000	MOTOR DRIVE	1	EA	
2	PC100019	DRIVE BELT	1	EA	
3	PC100020	DRIVEN SPROCKET	1	EA	
4	PC100001	1/4-20 X 2" SCREW	1	EA	NO LONGER AVAILABLE, Not available online / Call for pricing and availability
5	PC110001	TOP RAM	1	EA	
6	PC110002	BOTTOM RAM	1	EA	NO LONGER AVAILABLE, Not available online / Call for pricing and availability
7	PD020028	SCREW, DRIVE #8-18 X 1/2" PAN C.REC	1	EA	
8	PC100003	10-32 NUT	1	EA	NO LONGER AVAILABLE, Not available online / Call for pricing and availability
9	PC110003	TOP BRACE	1	EA	
10	PC100018	DRIVE CHAIN	1	EA	
11	PC100004	5/16-18 NUT	1	EA	
12	PC100005	WASHER	1	EA	NO LONGER AVAILABLE
13	PC110004	UPPER RAM STOP	1	EA	
14	PC110007	SIDE PANEL-L.H.	1	EA	Not available online / Call for pricing and availability
Not Shown	PC110008	SIDE PANEL-R.H.	1	EA	
Not Shown	PC110009	REAR PANEL	1	EA	
15	PD010003	10-24 X 1/2 PH.TR.HD.SERD.M.S.	1	EA	
16	PC100021	POWER SCREW SPROCKET	1	EA	
17	PC100022	POWER SCREW	1	EA	
18	PD010006	HEX HD. BOLT - 1/4-20 X 1/2	1	EA	
19	PC110010	LOWER STOP RAM	1	EA	
20	PC100002	NUT	1	EA	
21	PC100006	NUT RETAINER	1	EA	

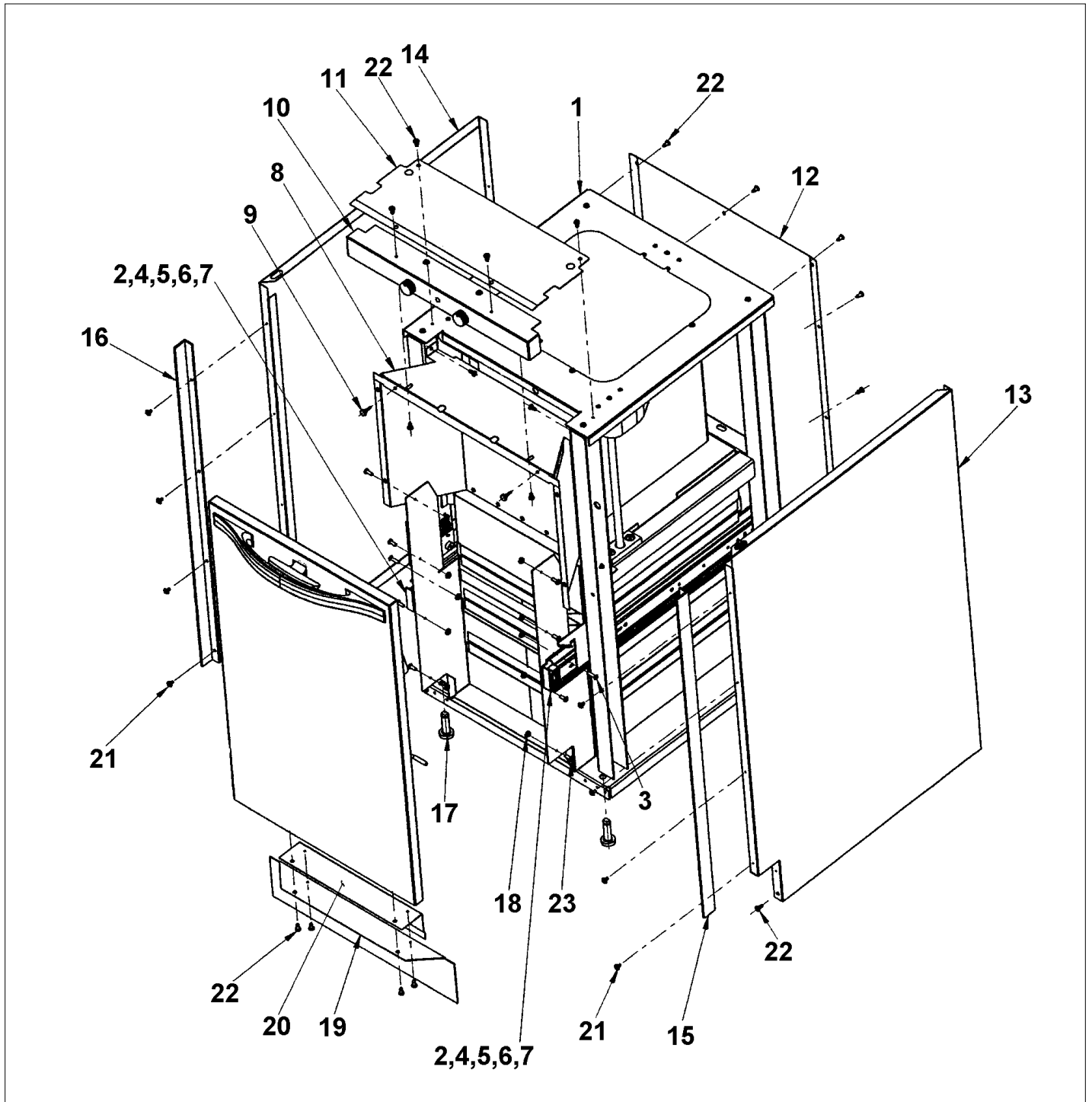


Item	Part No.	Name	Qty	Uom	NOTES
22	PC100007	#8 X 5/16 SCREW	1	EA	
23	PC100008	WASHER	1	EA	
24	PC100023	IDLER SPROCKET	1	EA	
25	PC100009	REPL PC100043 PUSH NUT	1	EA	
26	PC110011	IDLER PLATE	1	EA	Not available online / Call for pricing and availability
27	PC100010	BUSHING	1	EA	
28	PC110012	IDLER ARM-L.H.	1	EA	
Not Shown	PC110013	IDLER ARM-R.H.	1	EA	
29	PC100011	CHAIN TENSION SPRING	1	EA	
30	PC100012	#10 X 12 SCREW	1	EA	Not available online / Call for pricing and availability
31	PC100013	WASHER	1	EA	Not available online / Call for pricing and availability
32	PC120002	DIRECTIONAL SWITCH	1	EA	
33	PD020025	SCREW, DRIVE #6-32 X 1" PAN C.REC.T	1	EA	NO LONGER AVAILABLE
34	PC100014	WIRE RETAINER	1	EA	Not available online / Call for pricing and availability
35	PC100015	WIRING GROMMET	1	EA	NO LONGER AVAILABLE
36	PC100024	TIMING PULLEY	1	EA	
37	PC110014	DEFLECTOR DEBRIS	1	EA	NO LONGER AVAILABLE
38	PC100016	GEAR PIN	1	EA	NO LONGER AVAILABLE

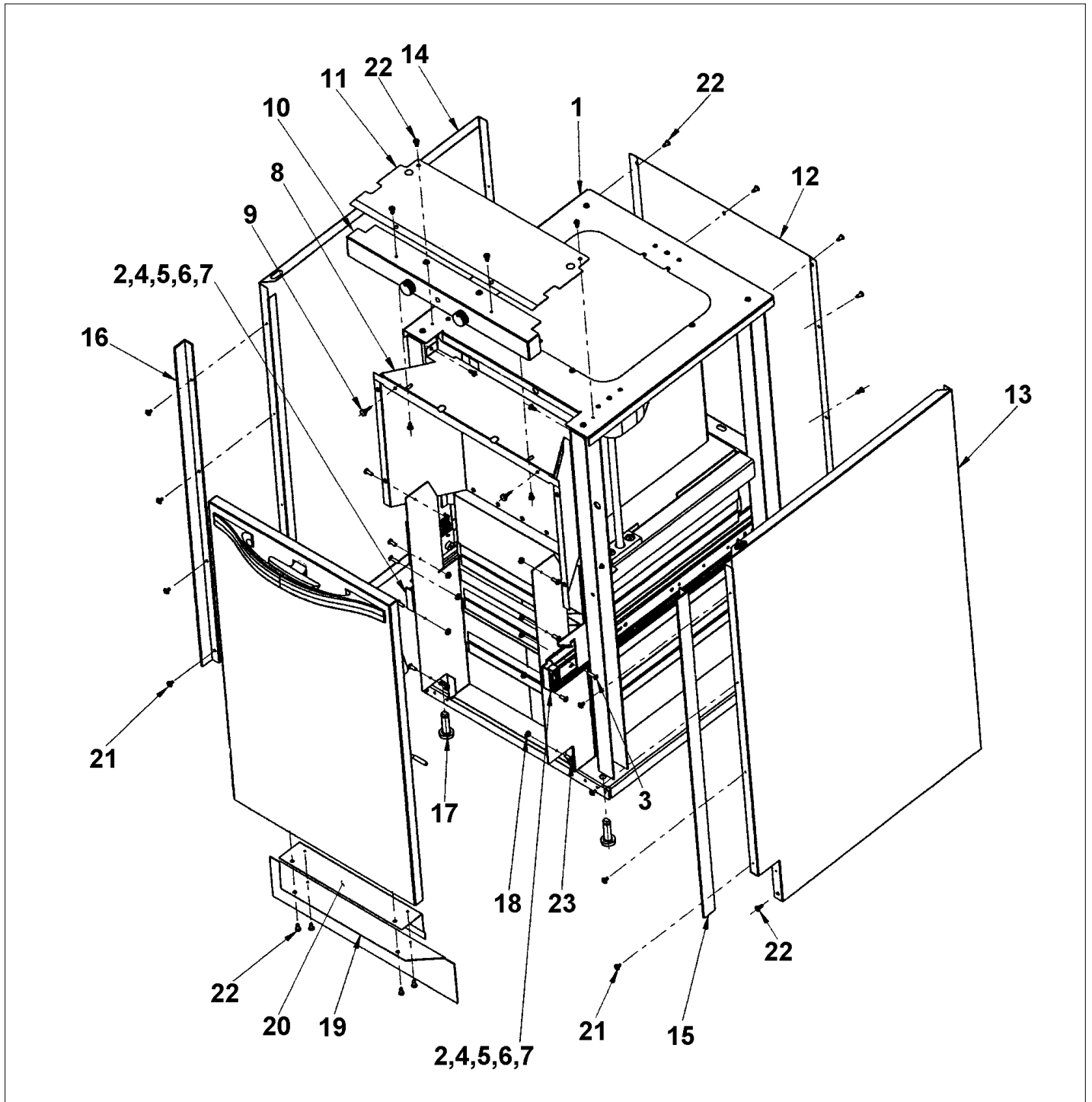
EXTERIOR ASSEMBLY



Item	Part No.	Name	Qty	Uom	NOTES
1	NOT REPLACEABLE	FRAME ASSEMBLY	1	EA	
2	G3007982	SLIDE WELDING ASSY, RH	1	EA	NO LONGER AVAILABLE
Not Shown	G3007983	SLIDE WELDING ASSY, LH	1	EA	NO LONGER AVAILABLE
3	PD020017	SCREW - #10 X 1/2 PH.CTRSK.SMS	1	EA	
4	PD010006	HEX HD. BOLT - 1/4-20 X 1/2	1	EA	
5	PC100031	TRACK SPRING	1	EA	
6	PD030008	HEX NUT	1	EA	
7	PC100032	WASHER	1	EA	
8	G3108297	LITTER BIN ASSY (DUC180)	1	EA	NOT FIELD REPLACEABLE
9	PC100029	DOOR BUMPER	1	EA	NO LONGER AVAILABLE
10	G3207984BK	CONTROL PANEL (BK) DUC180	1	EA	NO LONGER AVAILABLE, Not available online / Call for pricing and availability
Not Shown	G3207984BKBR	COMPLETE CONTROL PANEL ASSY. - BKBR	1	EA	Not available online / Call for pricing and availability
Not Shown	G3207984BT	COMPLETE CONTROL PANEL ASSY. - BT	1	EA	Not available online / Call for pricing and availability
Not Shown	G3207984BTBR	COMPLETE CONTROL PANEL ASSY. - BTBR	1	EA	Not available online / Call for pricing and availability
Not Shown	G3207984GG	COMPLETE CONTROL PANEL ASSY. - GG	1	EA	Not available online / Call for pricing and availability
Not Shown	G3207984GGBR	COMPLETE CONTROL PANEL ASSY. - GGBR	1	EA	Not available online / Call for pricing and availability
Not Shown	G3207984SG	COMPLETE CONTROL ASSY *SG* (DUC180)	1	EA	NO LONGER AVAILABLE, Not available online / Call for pricing and availability



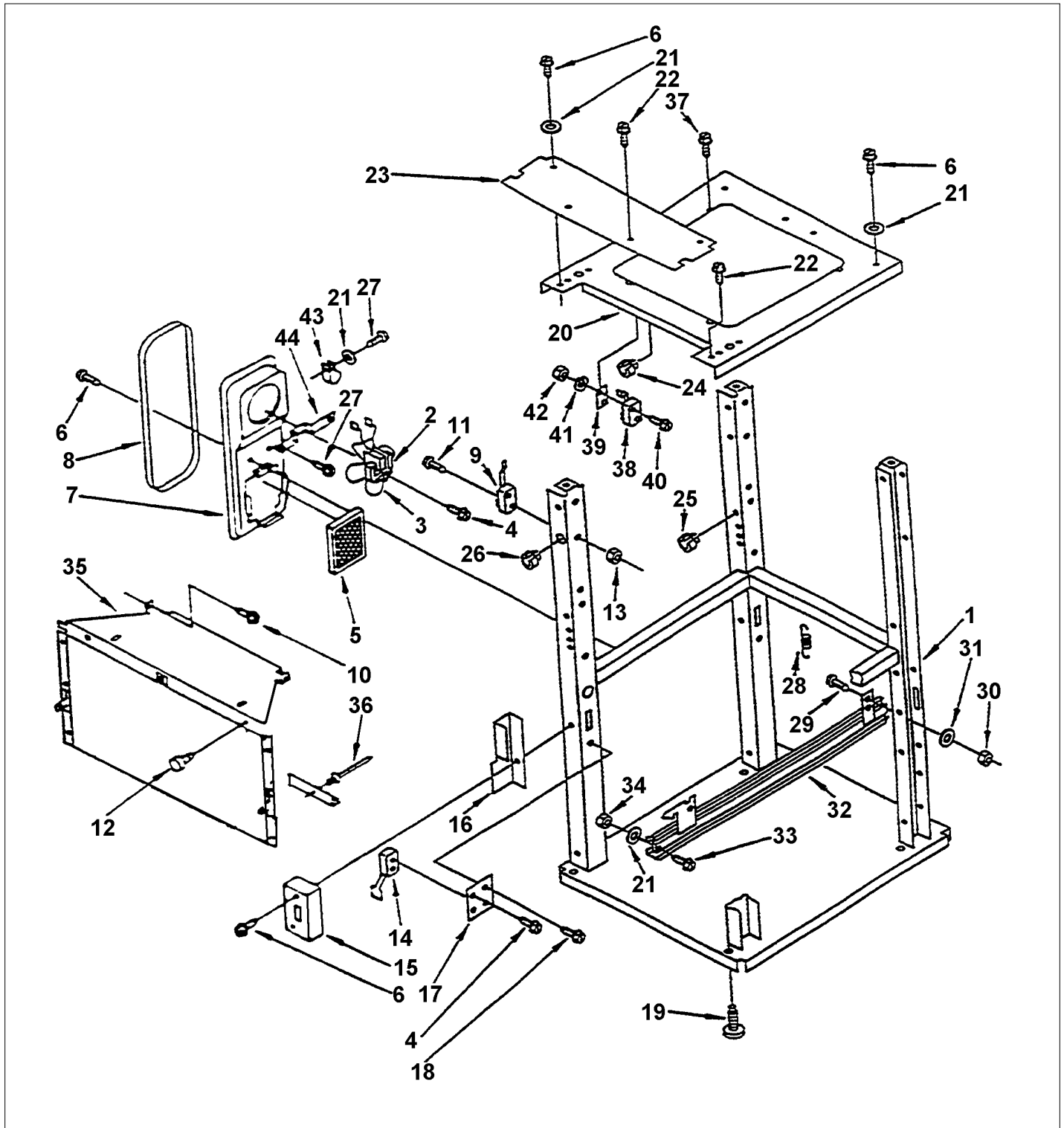
Item	Part No.	Name	Qty	Uom	NOTES
Not Shown	G3207984SGBR	COMPLETE CONTROL PANEL ASSY. - SGBR	1	EA	Not available online / Call for pricing and availability
Not Shown	G3207984SS	DUC CONTROL ASSEMBLY	1	EA	NO LONGER AVAILABLE
Not Shown	G3207984SSBR	COMPLETE CONTROL PANEL ASSY. - SSBR	1	EA	Not available online / Call for pricing and availability
Not Shown	G3207984WH	COMPLETE CONTROL PANEL ASSY. - WH	1	EA	Not available online / Call for pricing and availability
Not Shown	G3207984WHBR	COMPLETE CONTROL PANEL ASSY. - WHBR	1	EA	Not available online / Call for pricing and availability
11	PC110020	TOP FRONT PLATE	1	EA	NO LONGER AVAILABLE
12	PC110033	CABINET BACK PANEL	1	EA	NO LONGER AVAILABLE
13	C9007688BK	SIDE PANEL-RH *BK*	1	EA	NO LONGER AVAILABLE
14	C9007687BK	SIDE PANEL-RH *BK*	1	EA	NO LONGER AVAILABLE
15	F1007678	CABINET TRIM-RH SIDE	1	EA	NO LONGER AVAILABLE, Not available online / Call for pricing and availability
16	F1007677	CABINET TRIM - LH SIDE	1	EA	NO LONGER AVAILABLE
17	PC130003	LEVELING FOOT	1	EA	
18	PC100038	#10-32 NUT	1	EA	NO LONGER AVAILABLE
19	PC110026	TOE PLATE	1	EA	
20	PC110027	TOE PLATE BRACKET	1	EA	Not available online / Call for pricing and availability
21	PD020032	SRW-8(A)X3/8"PH.WFR HD 7/16DIA*NICL	1	EA	
22	PD020002	10 X 1/2 PH.TR.HD.SMS.	1	EA	



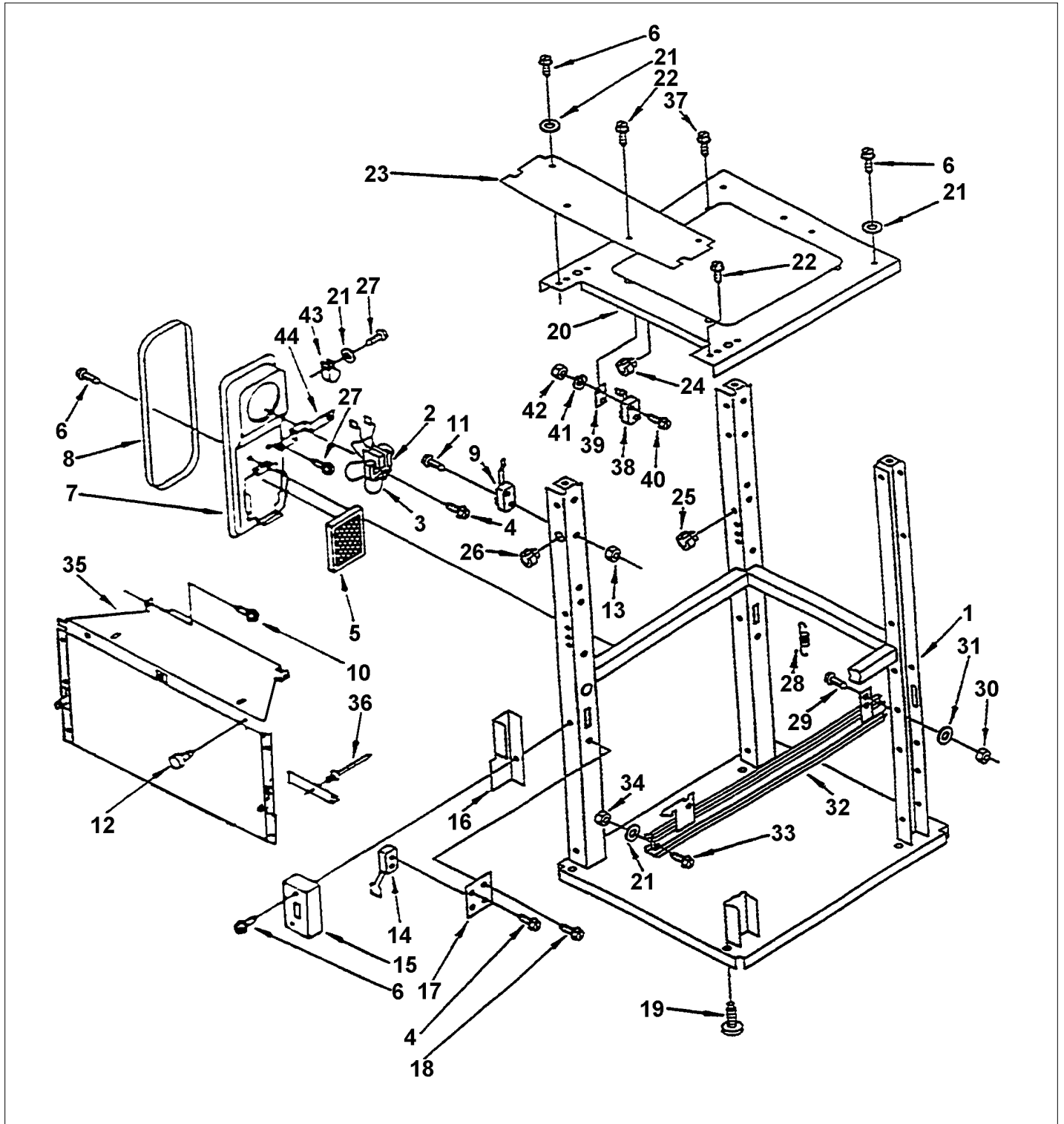


Item	Part No.	Name	Qty	Uom	NOTES
23	PD020018	SCREW - #10-32 X 1/2" PH.TR.SER.HD.	1	EA	NO LONGER AVAILABLE, Not available online / Call for pricing and availability

FRAME



Item	Part No.	Name	Qty	Uom	NOTES
1	NOT REPLACEABLE	FRAME	1	EA	
2	PC120003	FAN MOTOR	1	EA	
3	PC120004	FAN BLADE	1	EA	
4	PD020025	SCREW, DRIVE #6-32 X 1" PAN C.REC.T	1	EA	NO LONGER AVAILABLE
5	PC130001	AIR FILTER	1	EA	
6	PD010003	10-24 X 1/2 PH.TR.HD.SERD.M.S.	1	EA	
7	PC110015	FILTER HOUSING	1	EA	NO LONGER AVAILABLE
8	PC130002	HOUSING GASKET	1	EA	NO LONGER AVAILABLE
9	PC120005	RAM STOP SWITCH	1	EA	
10	PD010003	10-24 X 1/2 PH.TR.HD.SERD.M.S.	1	EA	
11	PD020025	SCREW, DRIVE #6-32 X 1" PAN C.REC.T	1	EA	NO LONGER AVAILABLE
12	PC100029	DOOR BUMPER	1	EA	NO LONGER AVAILABLE
13	PD030012	6-32 HEX NUT	1	EA	
14	PC120006	DRAWER SWITCH	1	EA	
15	PC110016	BLOCK	1	EA	
16	PC110017	BARRIER	1	EA	
17	PC110018	BRACKET	1	EA	
18	PD020004	10X3/8PH.HD.TYPE 25 REPL PD040125	1	EA	
19	PC130003	LEVELING FOOT	1	EA	
20	PC110019	FRAME COVER PLATE	1	EA	NO LONGER AVAILABLE
21	PC100028	WASHER	1	EA	
22	PD020013	TYPE "AB" #6 X 3/8 PH PAN HD. SMS	1	EA	
23	PC110020	TOP FRONT PLATE	1	EA	NO LONGER AVAILABLE
24	PC100026	BUSHING	1	EA	NO LONGER AVAILABLE
25	PC100030	STRAIN RELIEF	1	EA	NO LONGER AVAILABLE, Not available online / Call for pricing and availability



Item	Part No.	Name	Qty	Uom	NOTES
26	PC100027	BUSHING	1	EA	NO LONGER AVAILABLE
27	PC100025	SCREW	1	EA	NO LONGER AVAILABLE, Not available online / Call for pricing and availability
28	PC100031	TRACK SPRING	1	EA	
29	PD010006	HEX HD. BOLT - 1/4-20 X 1/2	1	EA	
30	PD030008	HEX NUT	1	EA	
31	PC100032	WASHER	1	EA	
32	G3007982	SLIDE WELDING ASSY, RH	1	EA	NO LONGER AVAILABLE
Not Shown	G3007983	SLIDE WELDING ASSY, LH	1	EA	NO LONGER AVAILABLE
33	PD010009	#10-32 X 3/8" PH.TR.HD.	1	EA	
34	PD030012	6-32 HEX NUT	1	EA	
35	G3108297	LITTER BIN ASSY (DUC180)	1	EA	NOT FIELD REPLACEABLE
36	PC100017	RIVET	1	EA	
37	PD020013	TYPE "AB" #6 X 3/8 PH PAN HD. SMS	1	EA	
38	PC120008	LIMIT SWITCH	1	EA	
39	PC130005	BAFFLE	1	EA	NO LONGER AVAILABLE
40	PD020029	DRIVE SRW - #4-40 X 3/4T(F)PN.HD.CR	1	EA	NO LONGER AVAILABLE
41	PC100033	LOCK WASHER	1	EA	NO LONGER AVAILABLE, Not available online / Call for pricing and availability
42	PC100034	NUT	1	EA	NO LONGER AVAILABLE
43	PC100035	CORD RETAINER	1	EA	NO LONGER AVAILABLE, Not available online / Call for pricing and availability
44	PC110023	MOTOR BRACKET	1	EA	NO LONGER AVAILABLE



Appendix A:Pages Index

CONTAINER ASSEMBLY	1
CONTROL PANEL	2
DOOR ASSEMBLY	3
DRIVE MOTOR & RAM PARTS	4
EXTERIOR ASSEMBLY	5
FRAME	6



Appendix B:Parts Index

014340-000	3	G3207984WH	5
029927-000	4	G3207984WHBR	5
A2007680	2	PA010127	2
A2007682	2	PA010127PVD	2
A2007686	3	PA010128	2
A2007927	3	PA010128PVD	2
A2007928	3	PA010131	2
A2007929	3	PA010131PVD	2
B2007685	3	PA010132	2
B2008291	3	PA010132PVD	2
B3007683	3	PC100001	4
B9207684	2	PC100002	4
C9007683BK	3	PC100003	4
C9007683BT	3	PC100004	4
C9007683GG	3	PC100005	4
C9007683SG	3	PC100006	4
C9007683WH	3	PC100007	4
C9007687BK	5	PC100008	4
C9007688BK	5	PC100009	4
C9207684BK	2	PC100010	4
C9207684BT	2	PC100011	4
C9207684GG	2	PC100012	4
C9207684SG	2	PC100013	4
C9207684WH	2	PC100014	4
F1007677	5	PC100015	4
F1007678	5	PC100016	4
G3007982	5, 6	PC100017	6
G3007983	5, 6	PC100018	4
G3108297	5, 6	PC100019	4
G3108298	3	PC100020	4
G3207984BK	5	PC100021	4
G3207984BKBR	5	PC100022	4
G3207984BT	5	PC100023	4
G3207984BTBR	5	PC100024	4
G3207984GG	5	PC100025	6
G3207984GGBR	5	PC100026	6
G3207984SG	5	PC100027	6
G3207984SGBR	5	PC100028	6
G3207984SS	5	PC100029	5, 6
G3207984SSBR	5	PC100030	6
		PC100031	5, 6



PC100032	5, 6	PC120006	6
PC100033	6	PC120008	6
PC100034	6	PC120011	3
PC100035	6	PC120012BK	2
PC100038	1, 5	PC120015	1
PC100040	3	PC120016	1
PC100041	1	PC120017	1
PC100042	1	PC120018	1
PC100047BK	2	PC120019	1
PC100047SS	2	PC120020	1
PC100047WH	2	PC120021	1
PC100052	2	PC130001	6
PC100053	3	PC130002	6
PC110001	4	PC130003	5, 6
PC110002	4	PC130005	6
PC110003	4	PC130006	1
PC110004	4	PD010003	4, 6, 6
PC110007	4	PD010006	4, 5, 6
PC110008	4	PD010009	1, 6
PC110009	4	PD010019	3
PC110010	4	PD020002	3, 5
PC110011	4	PD020004	3, 6
PC110012	4	PD020013	6, 6
PC110013	4	PD020017	5
PC110014	4	PD020018	5
PC110015	6	PD020025	4, 6, 6
PC110016	6	PD020028	4
PC110017	6	PD020029	6
PC110018	6	PD020032	2, 3, 5
PC110019	6	PD020084	2
PC110020	5, 6	PD030008	5, 6
PC110023	6	PD030012	6, 6
PC110024	1	PD030044	3
PC110026	5	PE030118	3
PC110027	5	PE030118PVD	3
PC110028	1	PE030168	3
PC110033	5	PE030168PVD	3
PC120002	4	PE050073	2
PC120003	6	PE050117	2
PC120004	6		
PC120005	6		