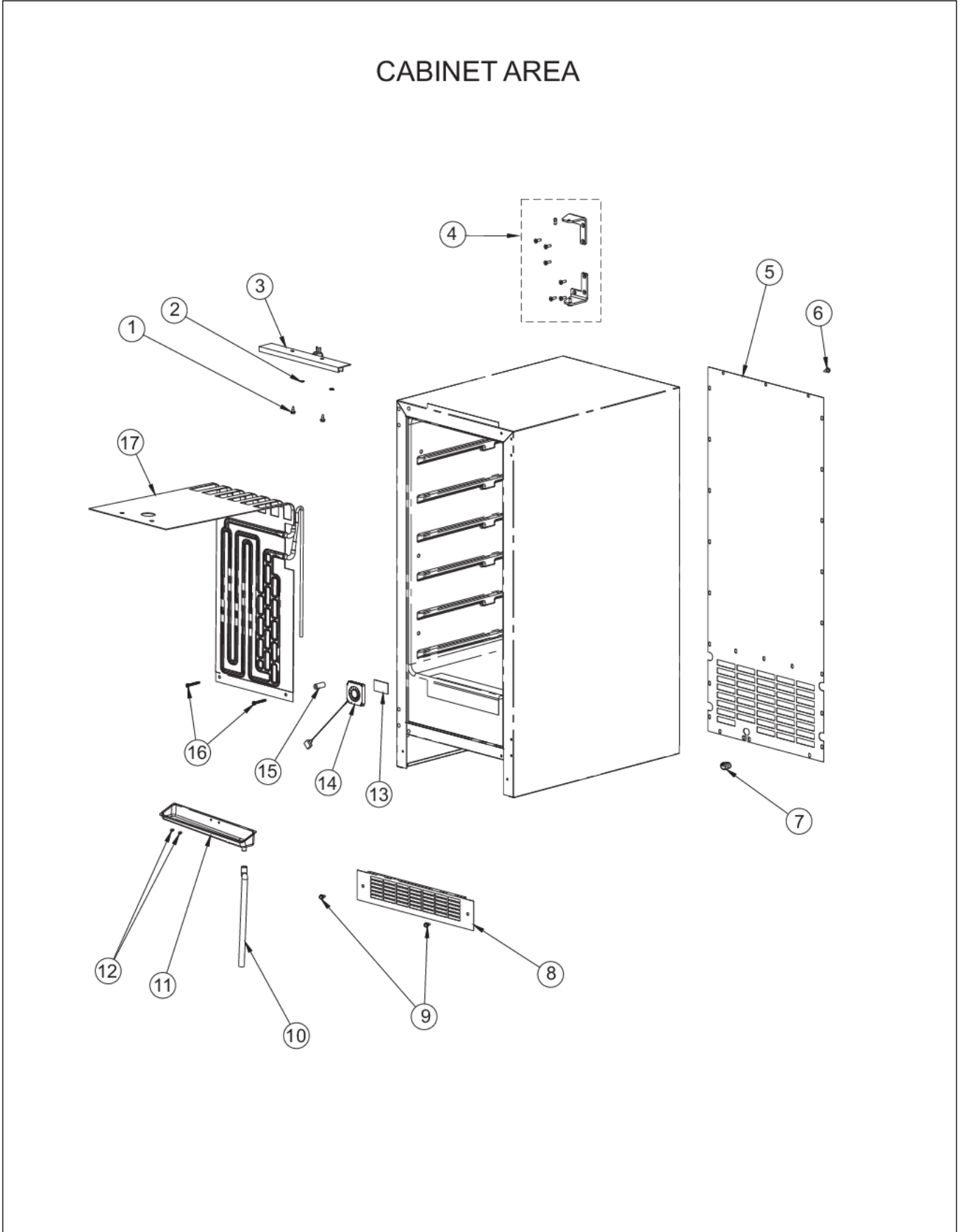


DUAR154

CABINET AREA	1
CONTROL AREA	2
DESIGNER GLASS DOOR	3
DESIGNER SOLID DOOR	4
INTERIOR SHELVING AREA	5
LOWER UNIT AREA	6
Appendix A:Pages Index	A
Appendix B:Parts Index	B

CABINET AREA

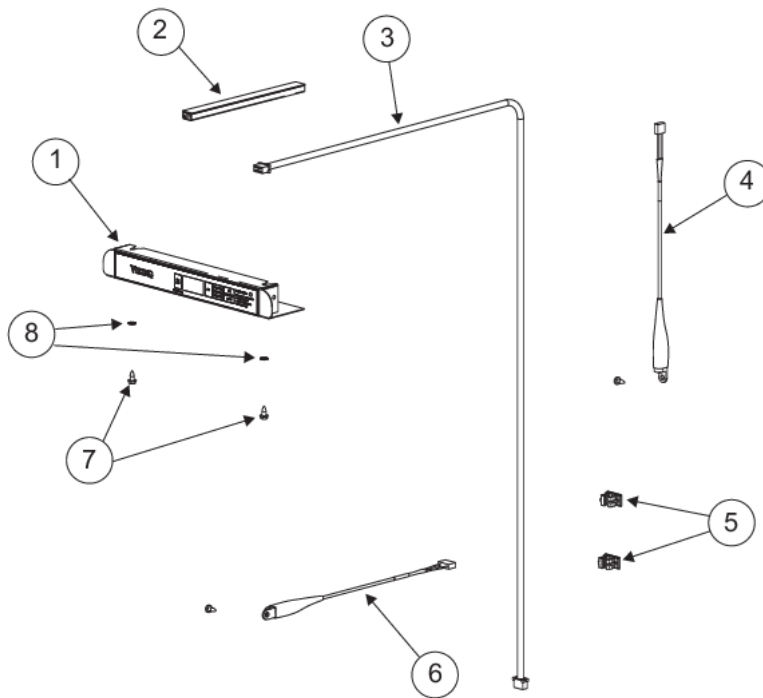




Item	Part No.	Name	Qty	Uom	NOTES
1	009924-000	WASHER HD SCREW - ZN	2	EA	
2	007641-000	#10 EXTERNAL TOOTH LOCKWASHER	2	EA	
3	PS100007	AURA LIGHT ASSY (BLACK) 42245124	1	EA	
5	010695-000	STANDARD HINGE, RIGHT TOP, CHROME	1	EA	
4	010223-000	SCREW, #10-32 X .75 COUNTERSUNK, SS	6	EA	
9	010702-000	STANDARD HINGE, RIGHT BOTTOM, CHROME	1	EA	
6	PS100019	BACK PANEL ASSEMBLY (42245283) 152 WC	1	EA	
7	009924-000	WASHER HD SCREW - ZN	26	EA	
8	010021-000	BUSHING	1	EA	
10	028470-000	TOE GRILLE, BLACK	1	EA	
11	009489-000	#12 X 3/4 TYPE AB PHILLIPS SCREW, BLACK	2	EA	
12	010026-000	DRAIN TUBE - BK	1	EA	
13	PW210043	SERV. ASSY 151 BLK DRIP TRAY 42244610	1	EA	NO LONGER AVAILABLE, Not available online / Call for pricing and availability
14	PW200019	POP RIVET	2	EA	Not available online / Call for pricing and availability
15	009492-000	EVAPORATOR TRIM - BK	1	EA	
16	009747-000	EVAPORATOR FAN	1	EA	
17	010028-000	1" SPACER - BK	2	EA	
18	PW200007	SCREW, EVAPOR. (VUWC140)* 08204902	2	EA	NO LONGER AVAILABLE
19	PW240049	151 EVAP ASSY (42244612)	1	EA	
NI	010031-000	LEVELING LEG	4	EA	

CONTROL AREA

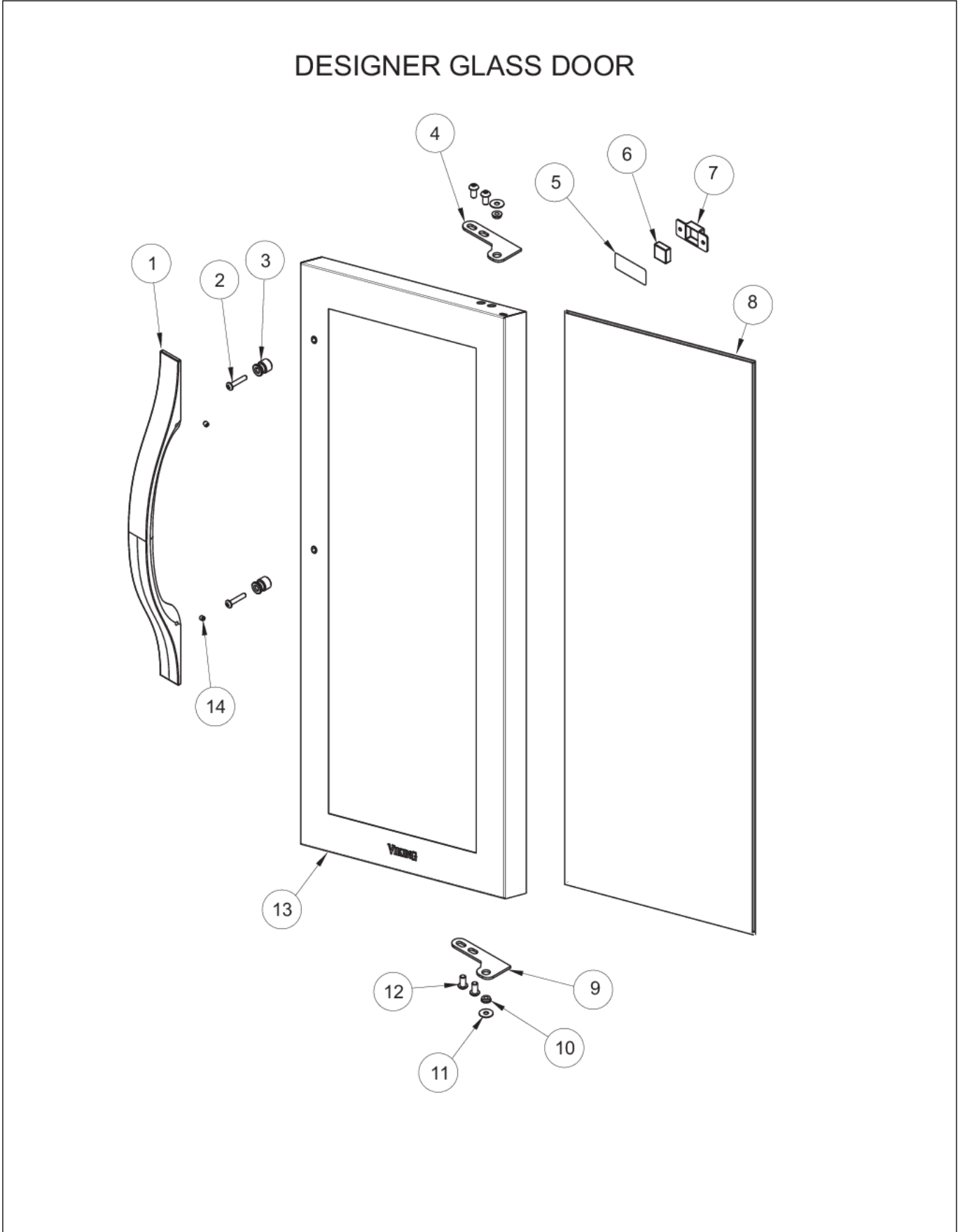
CONTROL AREA





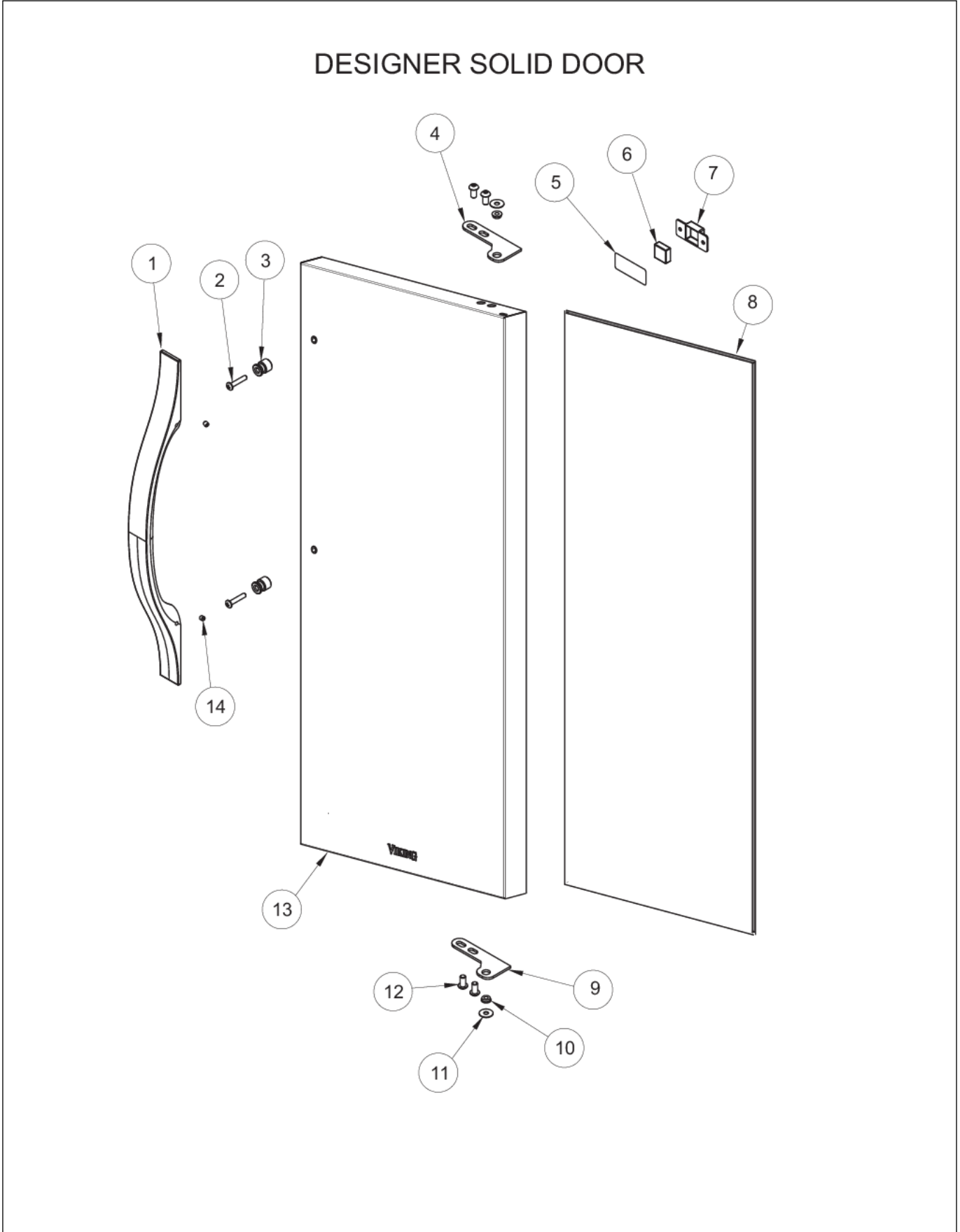
Item	Part No.	Name	Qty	Uom	NOTES
1	028583-000	DISPLAY ASM BK, 15" BC GLASS DR.	1	EA	
2	010022-000	WIRE CONDUIT	1	EA	
3	009482-000	COMMUNICATION CABLE	1	EA	
4	009483-000	EVAPORATOR TEMPERATURE THERMISTOR	1	EA	
5	007640-000	PLASTIC WIRE CLIP	2	EA	Not available online / Call for pricing and availability
6	009484-000	DISPLAY TEMPERATURE THERMISTOR	1	EA	
7	009924-000	WASHER HD SCREW - ZN	2	EA	
8	007641-000	#10 EXTERNAL TOOTH LOCKWASHER	2	EA	

DESIGNER GLASS DOOR



Item	Part No.	Name	Qty	Uom	NOTES
1	010081-000	SUBS TO 022188-000 - DES DOOR HANDLE - SS	1	EA	
2	PW300163	SCREW (VUIM150) 42243357	2	EA	
3	010080-000	SUBS TO 022189-000 - STAND- OFF STUD - DESIGNER	2	EA	
4	009780-000	OUTER CHUTE DOOR SKIN	1	EA	Not available online / Call for pricing and availability
5	009762-000	3M TAPE, 1.75"	1	EA	
6	010668-000	RETAINER, MAGNET	1	EA	
7	009759-000	DOOR SWITCH MAGNET	1	EA	
8	PW230017	DOOR GASKET (VUAR/VUWC) 42242914	1	EA	
9	009757-000	HINGE ADAPTER, RIGHT BOTTOM,SS	1	EA	
10	009755-000	HINGE BUSHING	2	EA	
11	009761-000	WASHER, NYLON	2	EA	
12	010212-000	SCREW, 1/4-20 SS	4	EA	
13	010010-000	DOOR ASSEMBLY - RH CLEAR GLASS	1	EA	
NI	010011-000	DOOR ASSEMBLY - LH CLEAR GLASS	1	EA	
NI	010012-000	DOOR ASSEMBLY - RH FLUTED GLASS	1	EA	
NI	010013-000	DOOR ASSEMBLY - LH FLUTED GLASS	1	EA	
14	009644-000	SET SCREW	2	EA	
NI	014539-000	FLUTED GALSS, COM. DOOR ASSY, LH	1	EA	
NI	020762-000	FLUTED GLASS, COM. DOOR ASSY, RH	1	EA	

DESIGNER SOLID DOOR

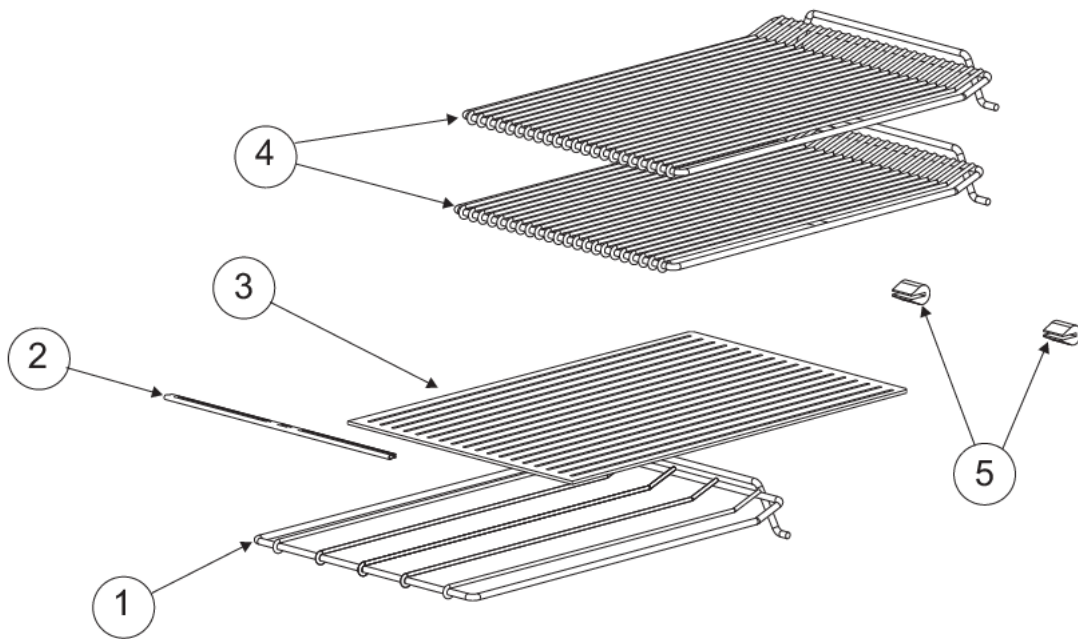




Item	Part No.	Name	Qty	Uom	NOTES
1	010081-000	SUBS TO 022188-000 - DES DOOR HANDLE - SS	1	EA	
2	PW300163	SCREW (VUIM150) 42243357	2	EA	
3	010080-000	SUBS TO 022189-000 - STAND- OFF STUD - DESIGNER	2	EA	
4	009780-000	OUTER CHUTE DOOR SKIN	1	EA	Not available online / Call for pricing and availability
5	009762-000	3M TAPE, 1.75"	1	EA	
6	009759-000	DOOR SWITCH MAGNET	1	EA	
7	010668-000	RETAINER, MAGNET	1	EA	
8	PW230017	DOOR GASKET (VUAR/VUWC) 42242914	1	EA	
9	009757-000	HINGE ADAPTER, RIGHT BOTTOM,SS	1	EA	
10	009755-000	HINGE BUSHING	2	EA	
11	009761-000	WASHER, NYLON	2	EA	
12	010212-000	SCREW, 1/4-20 SS	4	EA	
13	010014-000	DOOR ASSEMBLY - RH, WH DR, WH GKT	1	EA	
NI	010015-000	DOOR ASSEMBLY - LH, WH DR, WH GKT	1	EA	
14	009644-000	SET SCREW	2	EA	

INTERIOR SHELVING AREA

INTERIOR SHELVING AREA

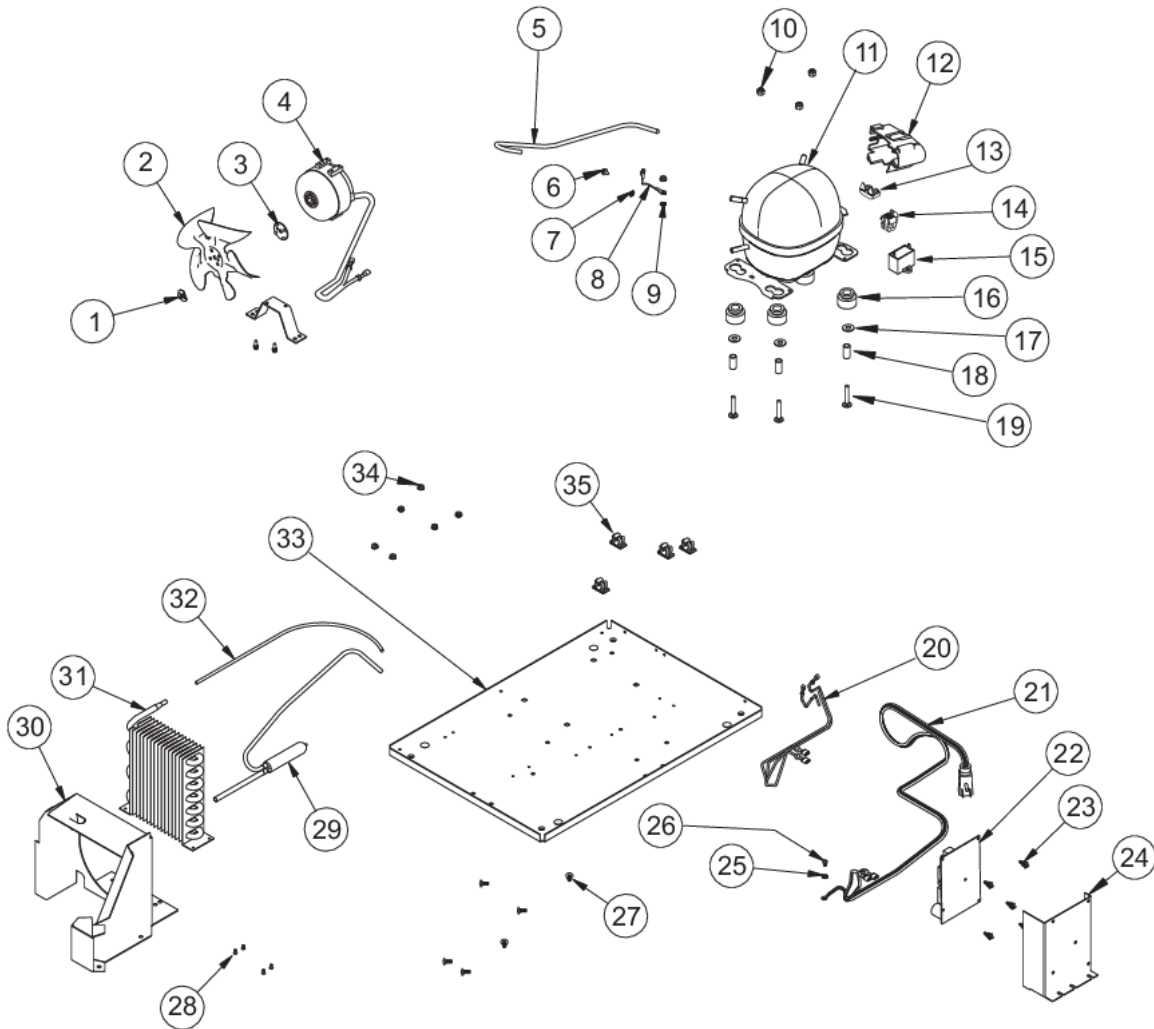




Item	Part No.	Name	Qty	Uom	NOTES
1	010025-000	WIRE SHELF	1	EA	
2	010024-000	GLASS SHELF TRIM	1	EA	
3	005872-000	GLASS SHELF	1	EA	Not available online / Call for pricing and availability
4	005873-000	WIRE SHELF - CHROME	2	EA	Not available online / Call for pricing and availability
5	009499-000	1" BUMPER - BK	2	EA	

LOWER UNIT AREA

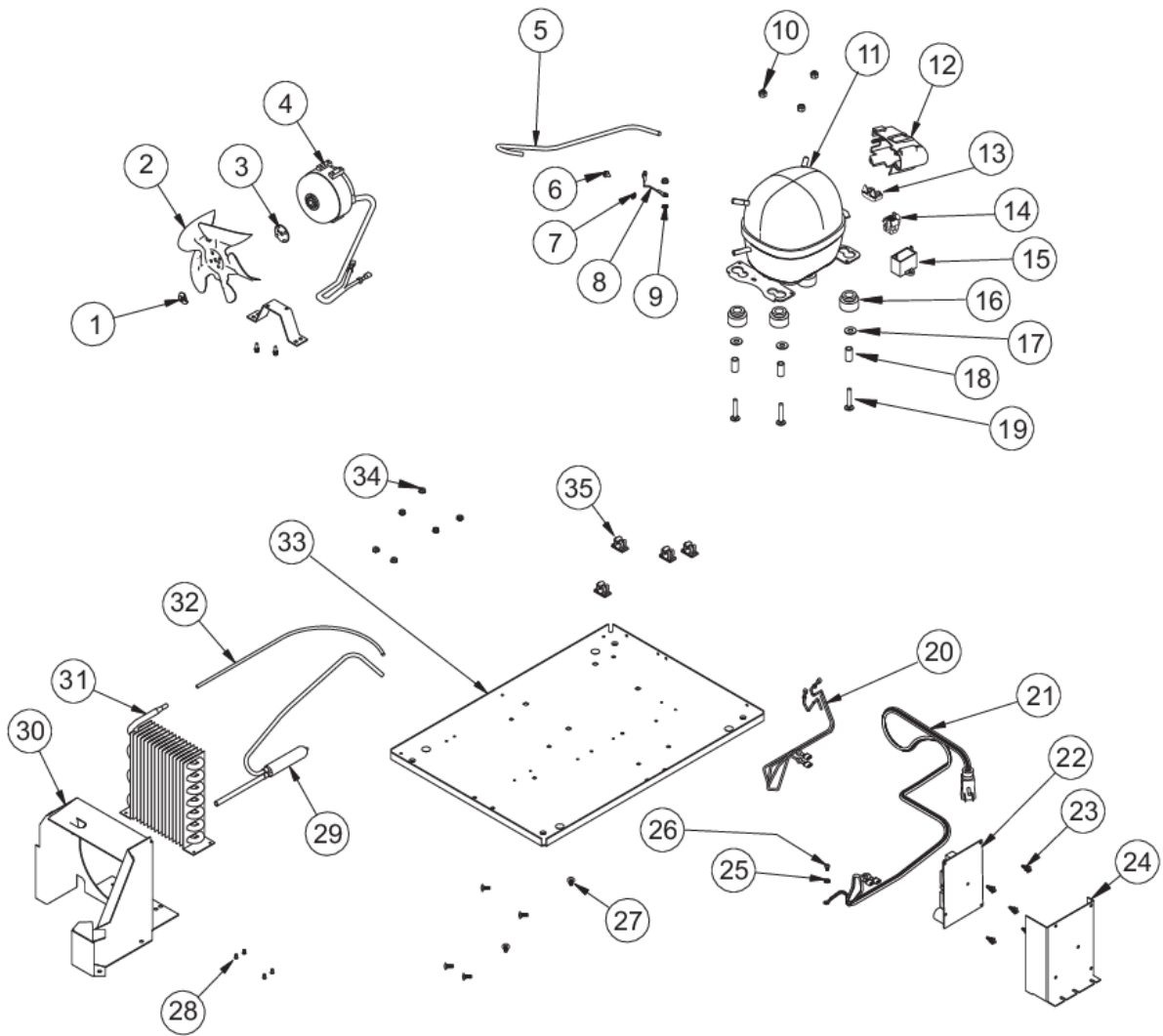
LOWER UNIT AREA





Item	Part No.	Name	Qty	Uom	NOTES
1	PW200020	NUT, TINNERMAN	1	EA	Not available online / Call for pricing and availability
2	PW200037	FAN BLADE	1	EA	
3	009831-000	FAN SILENCER	1	EA	
4	PW300152	FAN MOTOR ASSY (VUIM150) 42244701	1	EA	
5	010035-000	PROCESSOR TUBE	1	EA	
6	PW200029	SCREW	1	EA	NO LONGER AVAILABLE
7	007614-000	EVAPORATOR FAN - 42245142	1	EA	
8	PW300137	Ground Wire	1	EA	Not available online / Call for pricing and availability
9	PW300143	LOCK WASHER (VUIM150) 42243619	1	EA	NO LONGER AVAILABLE
10	PW200017	LOCK NUT .25-.20 UNC	3	EA	NO LONGER AVAILABLE, Not available online / Call for pricing and availability
11	PW240041	COMPRESSOR 15" (42242896)	1	EA	
12	009507-000	RELAY COVER	1	EA	Not available online / Call for pricing and availability
13	PS100020	OVERLOAD (42245133) 152 WC	1	EA	
14	PS100021	PTC RELAY (42245131) 152 WC	1	EA	
15	PS100023	RUN CAPACITOR (42245134) 152 WC	1	EA	
16	010036-000	GROMMET (COMES WITH COMPRESSOR)	4	EA	
17	PW200018	FLAT WASHER	3	EA	
18	010037-000	SLEEVE (COMES WITH COMPRESSOR)	4	EA	
19	010040-000	1/4-20 X 1 1/2 CARRIAGE BOLT	3	EA	
20	010038-000	WIRE HARNESS	1	EA	
21	005835-000	POWER CORD - 42242054	1	EA	Not available online / Call for pricing and availability

LOWER UNIT AREA



Item	Part No.	Name	Qty	Uom	NOTES
22	009511-000	ELECTRONIC CONTROL BOARD AND BRACKET ASM	1	EA	
23	009513-000	STANDOFF	4	EA	
24	009514-000	CONTROL BOARD MOUNTING BRACKET	1	EA	
25	007614-000	EVAPORATOR FAN - 42245142	1	EA	
26	PW2000017	SCREW, .25-20 ZN	2	EA	Not available online / Call for pricing and availability
27	010062-000	CARRIAGE BOLT	6	EA	
28	010039-000	RIVET, 1/8" STEEL	4	EA	Not available online / Call for pricing and availability
30	PW240030	DRIER (42242894)	1	EA	
29	009810-000	DRYER TUBE	1	EA	
31	PW300145	FAN SHROUD (VUIM150) 42242902	1	EA	
32	PW300159	CONDENSER ASSY	1	EA	
33	010032-000	DISCHARGE TUBE	1	EA	
34	010033-000	BASEPLATE	1	EA	Not available online / Call for pricing and availability
35	010034-000	NUT	6	EA	Not available online / Call for pricing and availability
36	007640-000	PLASTIC WIRE CLIP	4	EA	Not available online / Call for pricing and availability



Appendix A:Pages Index

CABINET AREA 1
CONTROL AREA 2
DESIGNER GLASS DOOR 3
DESIGNER SOLID DOOR 4
INTERIOR SHELVING AREA 5
LOWER UNIT AREA 6



Appendix B:Parts Index

005835-000	6	010032-000	6
005872-000	5	010033-000	6
005873-000	5	010034-000	6
007614-000	6, 6	010035-000	6
007640-000	2, 6	010036-000	6
007641-000	1, 2	010037-000	6
009482-000	2	010038-000	6
009483-000	2	010039-000	6
009484-000	2	010040-000	6
009489-000	1	010062-000	6
009492-000	1	010080-000	3, 4
009499-000	5	010081-000	3, 4
009507-000	6	010212-000	3, 4
009511-000	6	010223-000	1
009513-000	6	010668-000	3, 4
009514-000	6	010695-000	1
009644-000	3, 4	010702-000	1
009747-000	1	014539-000	3
009755-000	3, 4	020762-000	3
009757-000	3, 4	028470-000	1
009759-000	3, 4	028583-000	2
009761-000	3, 4	PS100007	1
009762-000	3, 4	PS100019	1
009780-000	3, 4	PS100020	6
009810-000	6	PS100021	6
009831-000	6	PS100023	6
009924-000	1, 1, 2	PW2000017	6
010010-000	3	PW200007	1
010011-000	3	PW200017	6
010012-000	3	PW200018	6
010013-000	3	PW200019	1
010014-000	4	PW200020	6
010015-000	4	PW200029	6
010021-000	1	PW200037	6
010022-000	2	PW210043	1
010024-000	5	PW230017	3, 4
010025-000	5	PW240030	6
010026-000	1	PW240041	6
010028-000	1	PW240049	1
010031-000	1	PW300137	6
		PW300143	6



PW300145	6
PW300152	6
PW300159	6
PW300163	3, 4